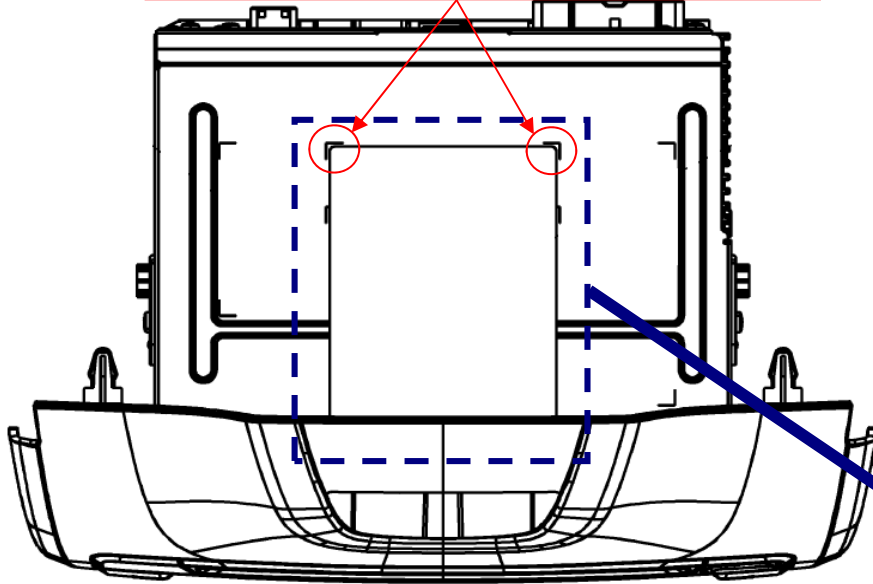


FT0087A Nameplate location in product

Nameplate location is within inside this stamp mark



Product top view (drawing)



Product top view (actual)

ISUZU

MODEL NO.

Customer Part number

PRODUCT NO.

FTEN Part number

12V \equiv 3.0A



FUJITSU TEN LIMITED

ADDRESS 2-28, Goshō-dori 1-chome
Hyogo-ku, Kobe 652-8510, JAPAN

MADE IN THAILAND

MANUFACTURED MARCH 2015

SERIAL NO.

FCC ID: BABFT0087A

This device complies with part 15 of the FCC Rules.
Operation is subject to the following two conditions: (1)
This device may not cause harmful interference, and (2)
this device must accept any interference received,
including interference that may cause undesired
operation.

Complies with 21 CFR Chapter 1, Subchapter J.