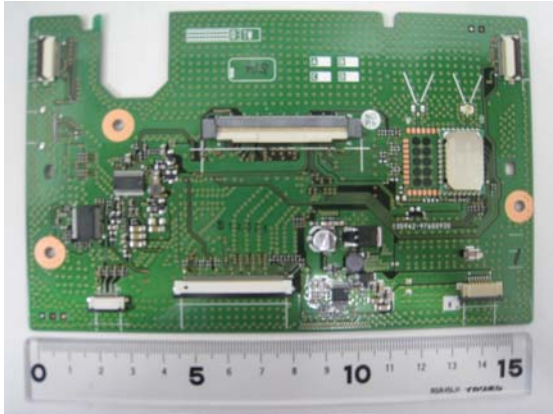


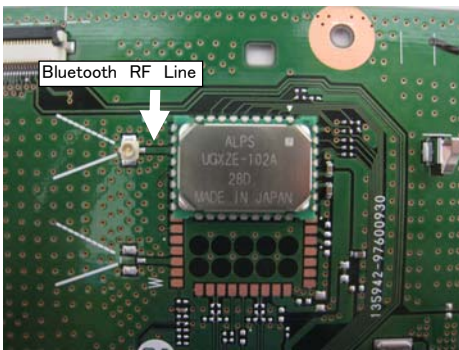
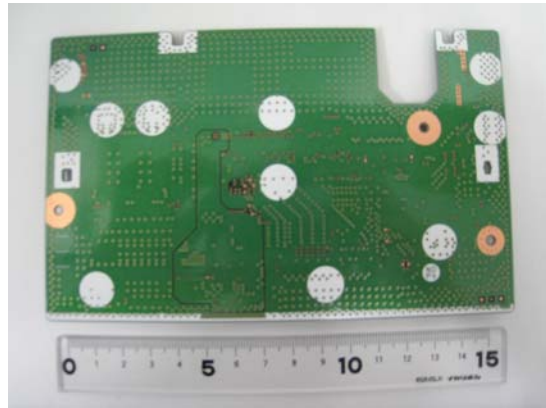
FT0058A Internal photos

■Relay Board

Component side



Solder side



■Relay Board

