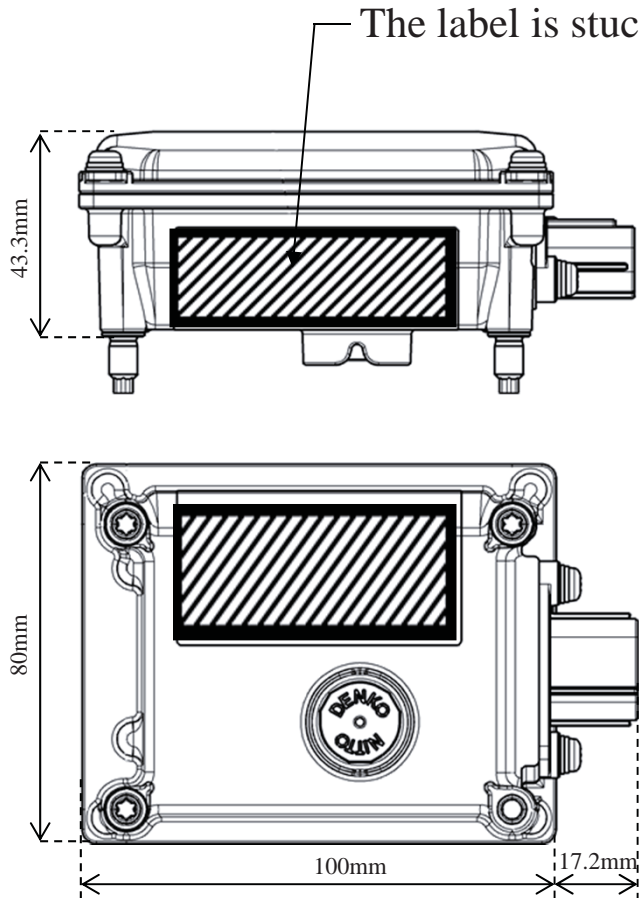
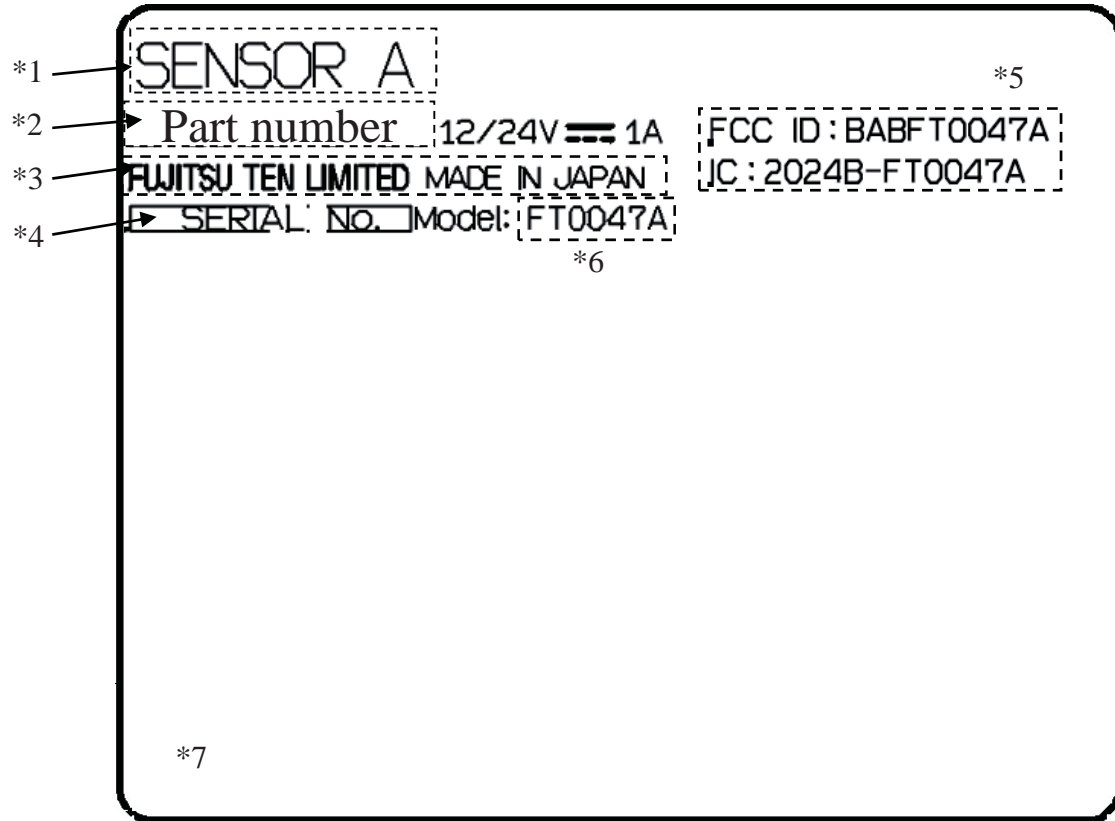


**Label**



- \*1. Name of product
- \*2. Part number
- \*3. Manufacturer
- \*4. Serial number is changed for every product.
- \*5. FCC/IC number
- \*6. Model number
- \*7. Manufacture information and vendor information, etc will be described in the blank.
- \*1~\*7. These can be located on any position in the label.

**Approval label**



\* Since this device is installed in a vehicle, user cannot see the label.  
 FCC compliance statement will be included in User Manual as it is not practical to place on the device according to FCC Rules §15.19.