

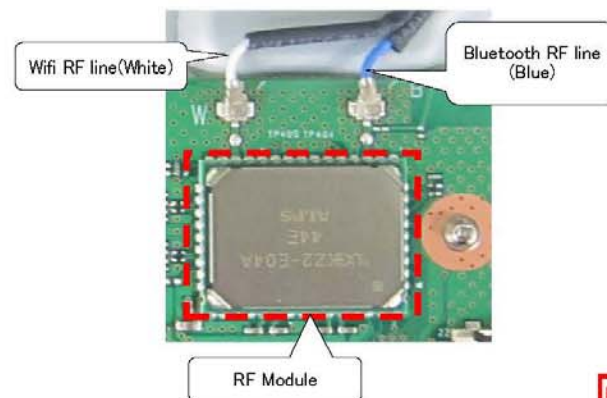
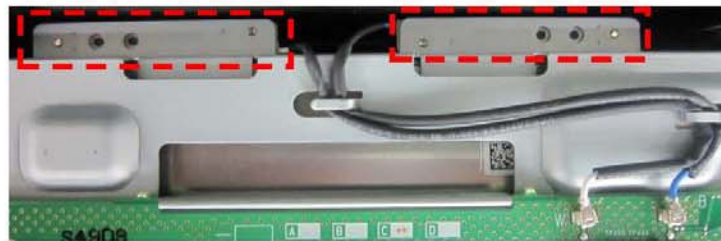
ANNEX B: INTERNAL CONSTRUCTION PHOTOS OF EUT

■ Bluetooth Antenna & Wifi Antenna (Internal photos)



Wifi Antenna
mounting position

Bluetooth Antenna
mounting position



FUJITSU TEN CONFIDENTIAL

ALPS CONFIDENTIAL
© 2019 ALPS ELECTRIC CO., LTD.

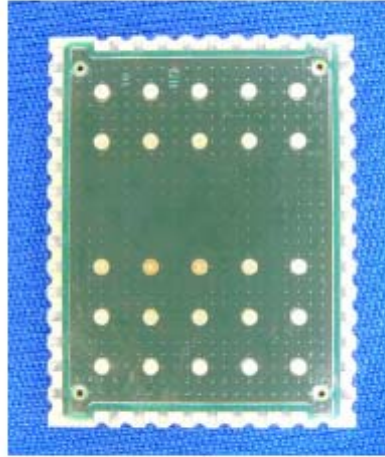
ALPS Proprietary Information Confidential

UGKZ2-E### Photo View

Outside View
(TOP)



Outside View
(BOTTOM)



Inside View

