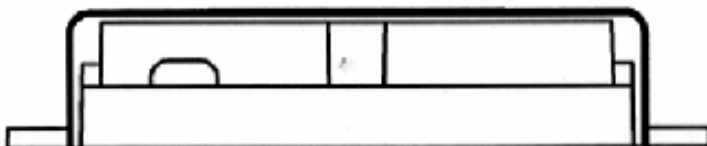
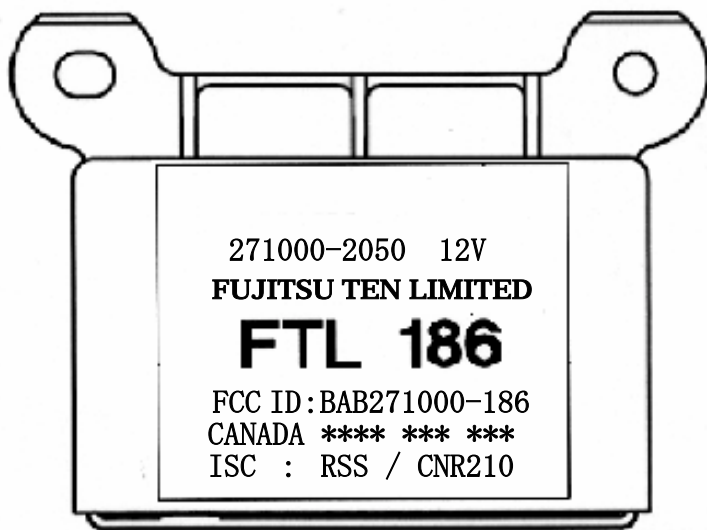


TYPE : FTL 186

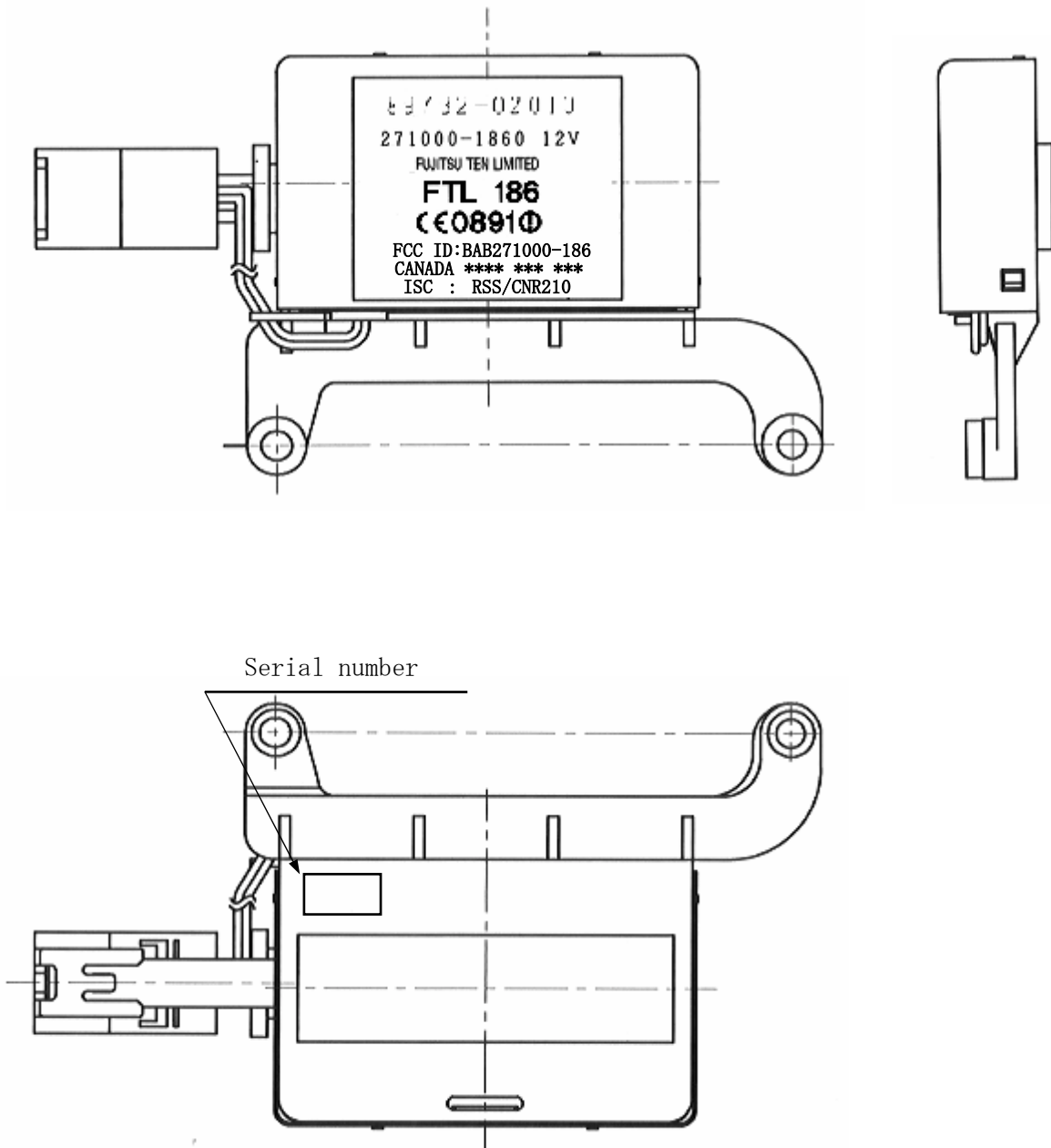
Version : 271000-2050



Appearance ascribable to installation is subject to change without notice.

TYPE : FTL 186

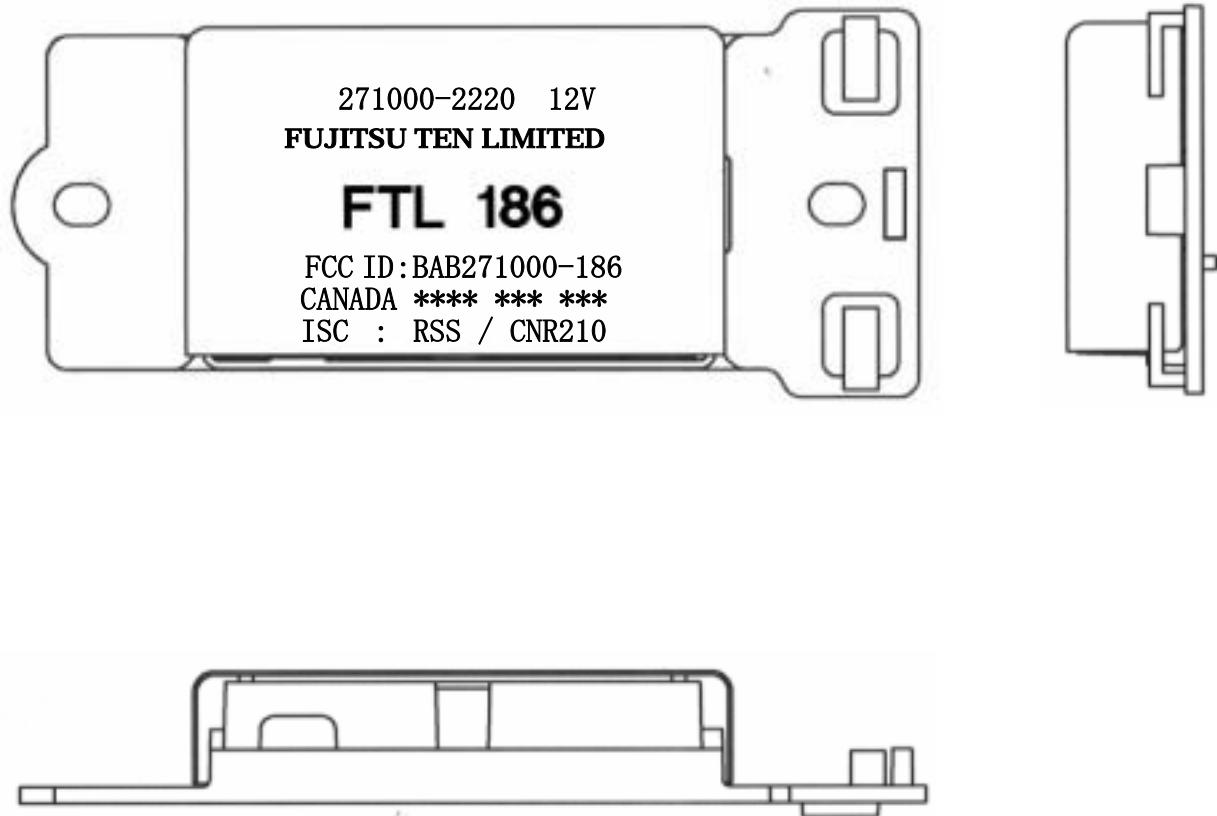
Version : 89732-02010



Appearance ascribable to installation is subject to change without notice.

TYPE : FTL 186

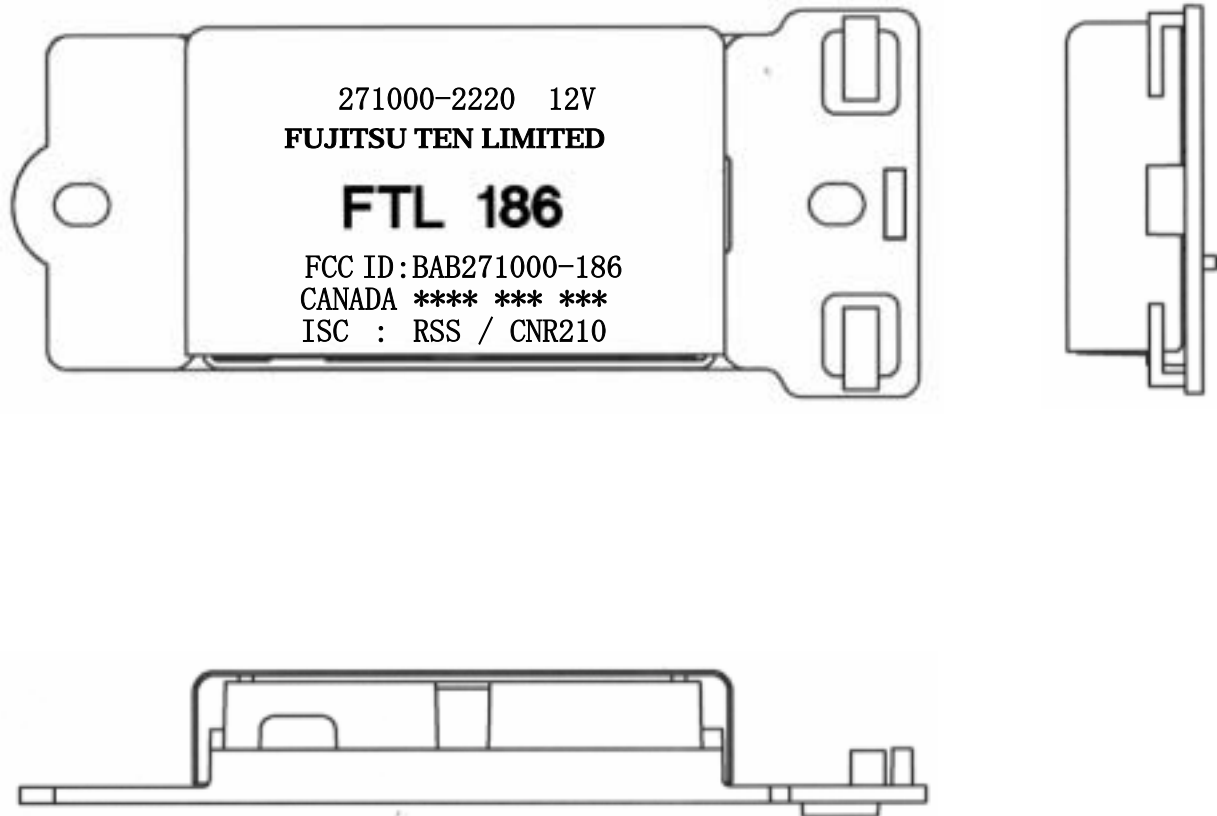
Version : 271000-2060



Appearance ascribable to installation is subject to change without notice.

TYPE : FTL 186

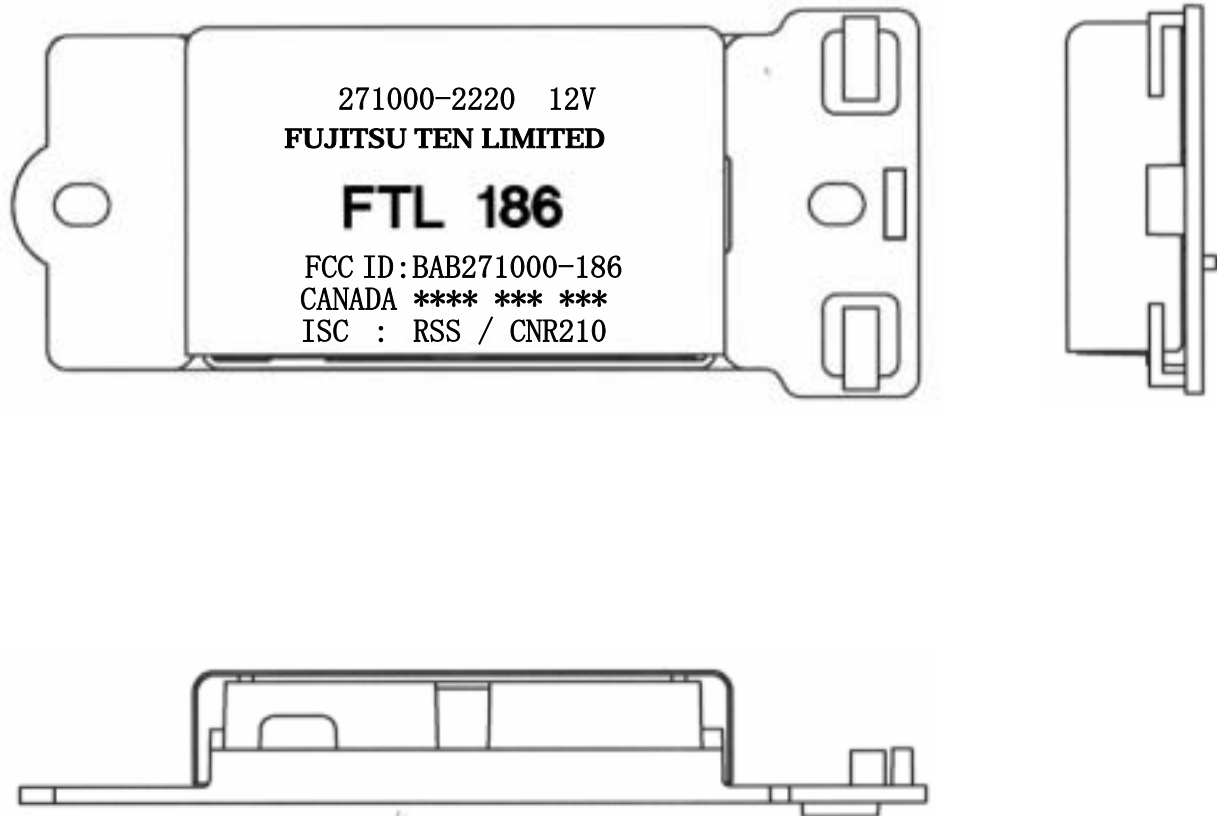
Version : 271000-2060



Appearance ascribable to installation is subject to change without notice.

TYPE : FTL 186

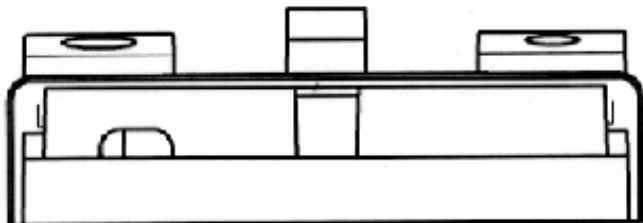
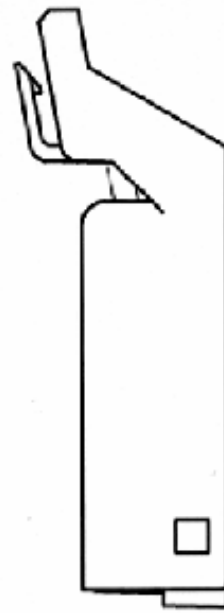
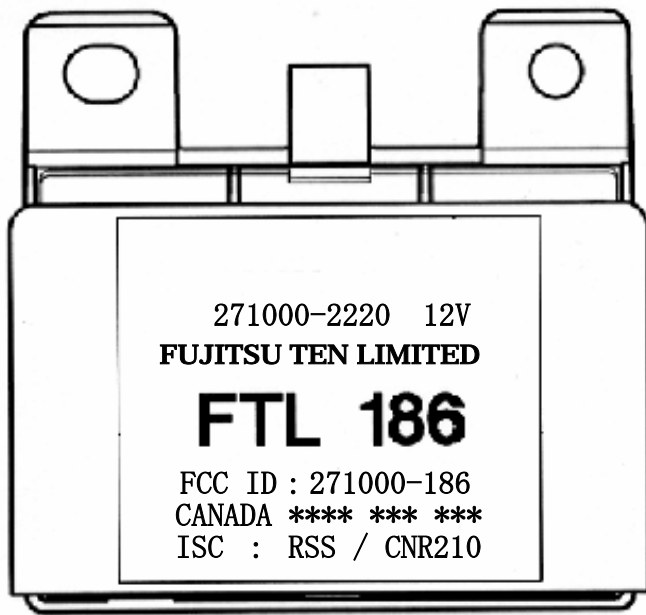
Version : 271000-2060



Appearance ascribable to installation is subject to change without notice.

TYPE : FTL186

Version : 271000-2220



Appearance ascribable to installation is subject to change without notice.