



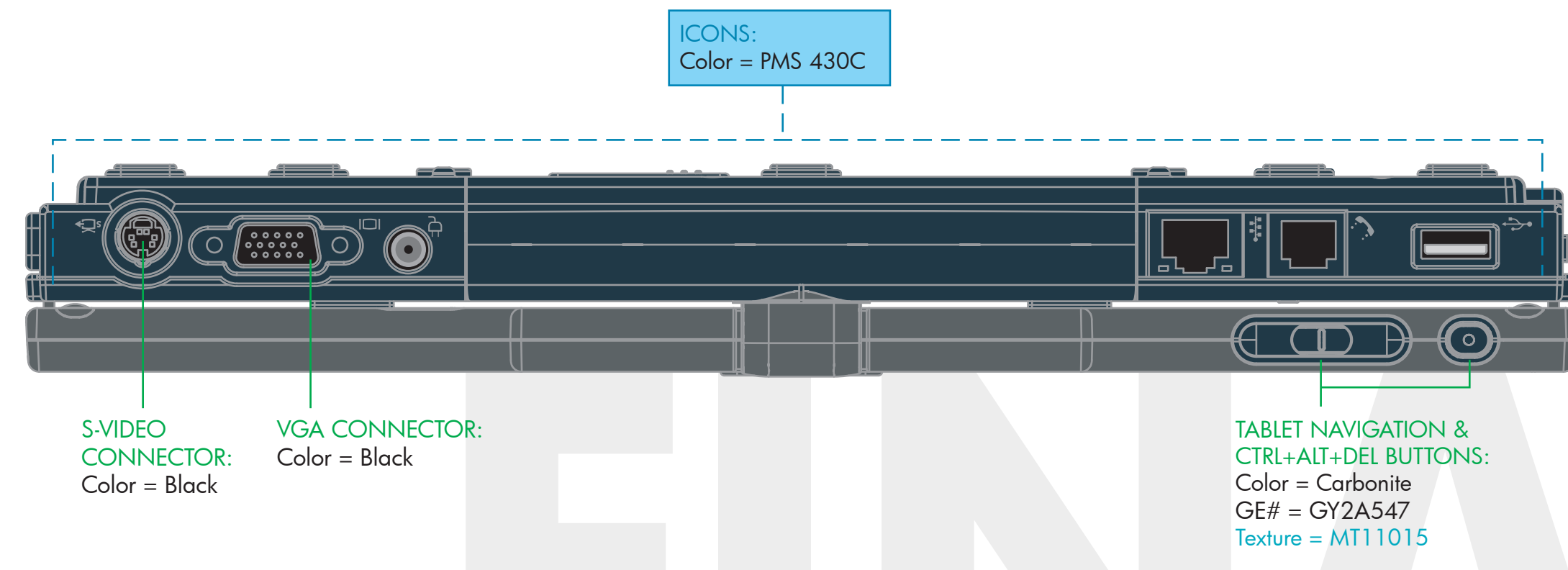
# General specs, please refer to program documentation for specifics

## LABELS

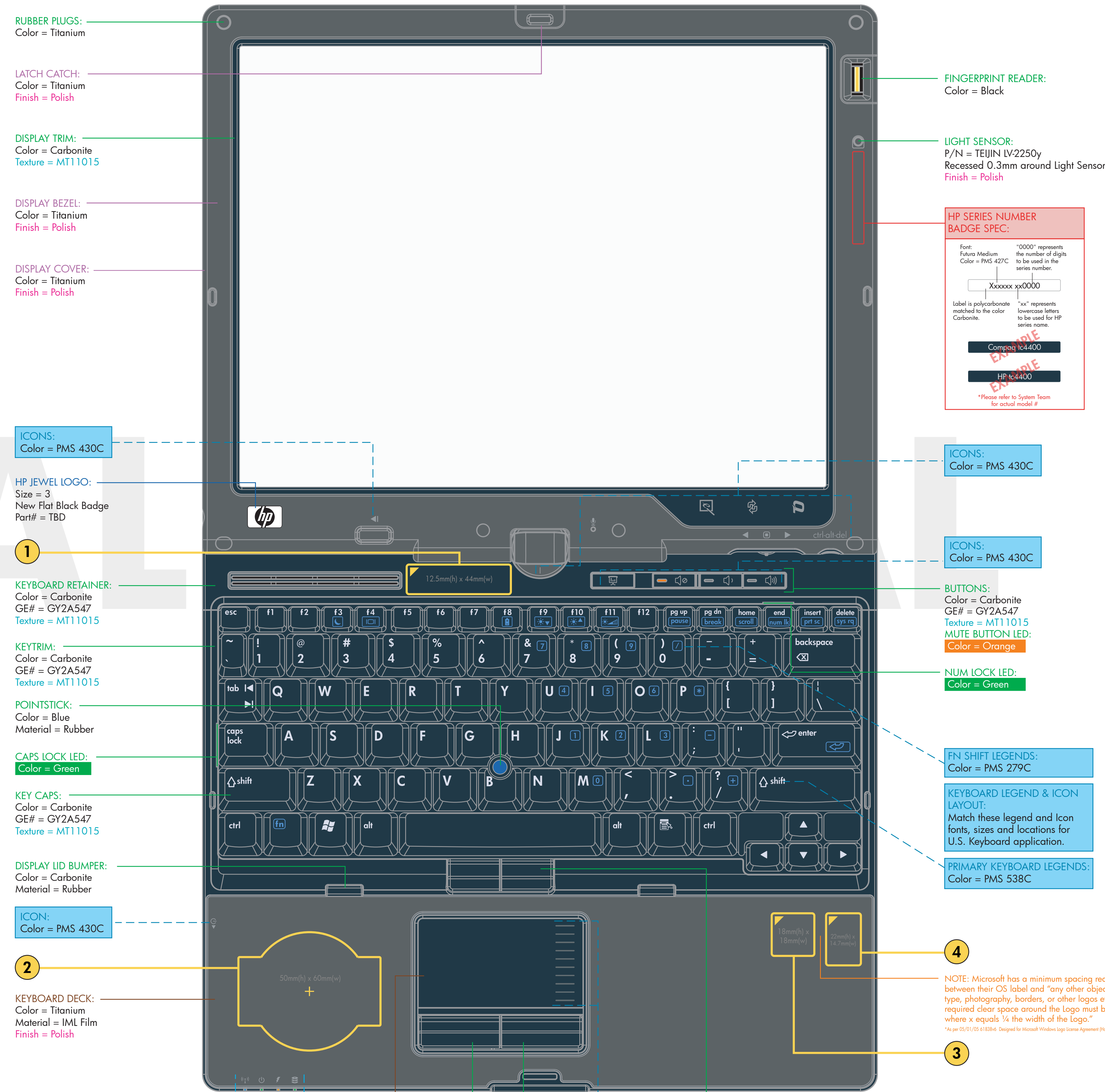
- Keyboard
  - Service (Taiwan only)
  - Processor
  - MS OS
  - Modem (Reverse Printing)
  - MS COA
  - Regulatory - \*Keyboard Screw Icon printed on Label, Color = PMS 430C
  - Wireless (Reverse Printing)
  - Service Tag
  - Country Recycle
  - Battery (on bag)
- + Center label using crosshair.  
 ▽ Apply label starting in this corner.

- Mylar/IML Surface
- Molded Surface
- Painted Surface
- Metal Surface
- Chrome Surface
- Finish
- Texture
- Markup Question
- Badge
- Polycarbonate Label
- Printed Icon
- Backlite Blue
- Backlite Amber
- Backlite Green
- Backlite Orange
- Titanium
- Carbonite
- Platinum Silver
- IR Lens Material
- PMS 279C - Lt. Blue
- PMS 427C - Lt. Gray
- PMS 538C - Lt. Gray
- PMS 430C - Med. Gray
- PMS 431C - Med. Gray
- PMS 877C - Silver
- LED Blue
- LED Amber
- LED Green
- LED Orange
- Label hidden in bay or door

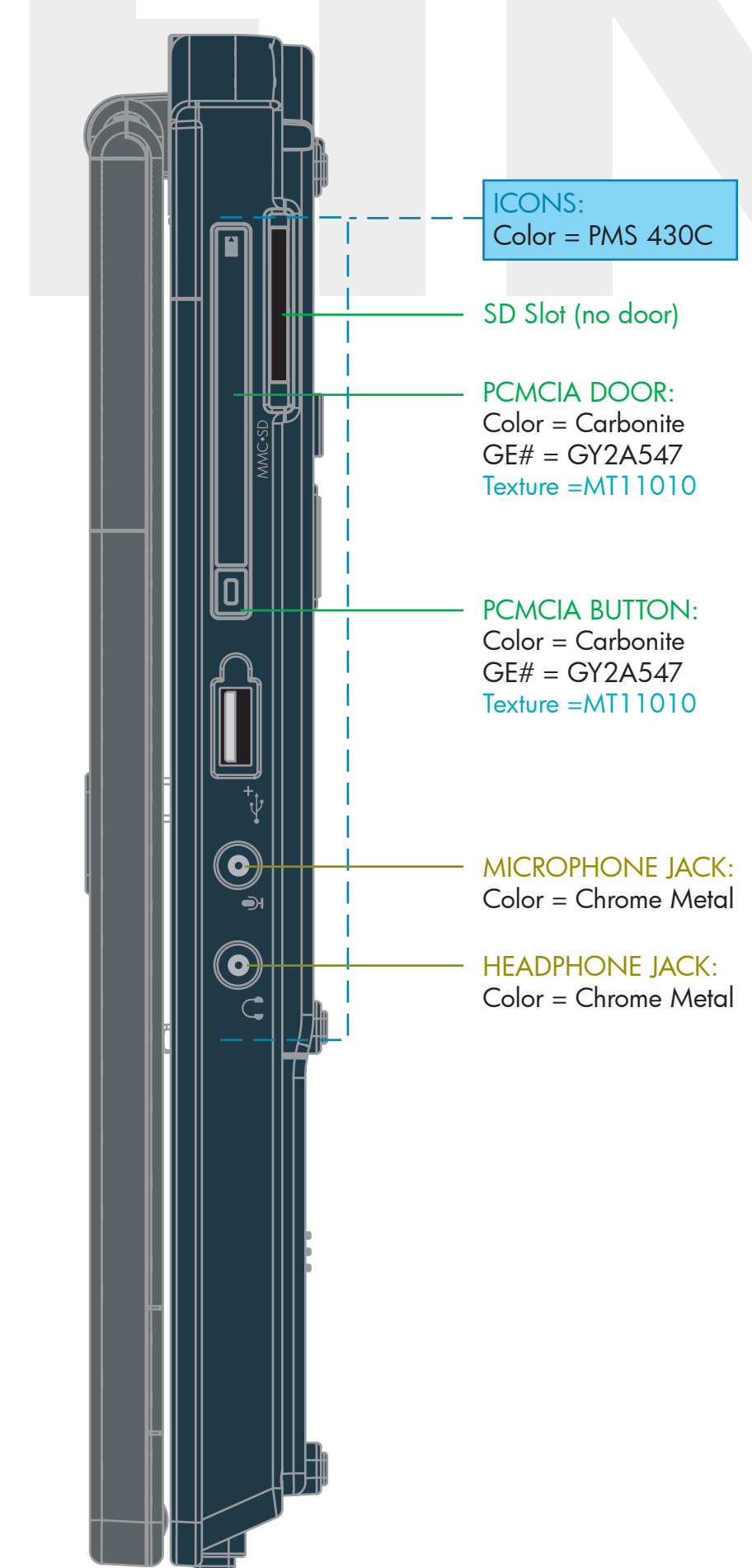
### View 2: rear connector panel



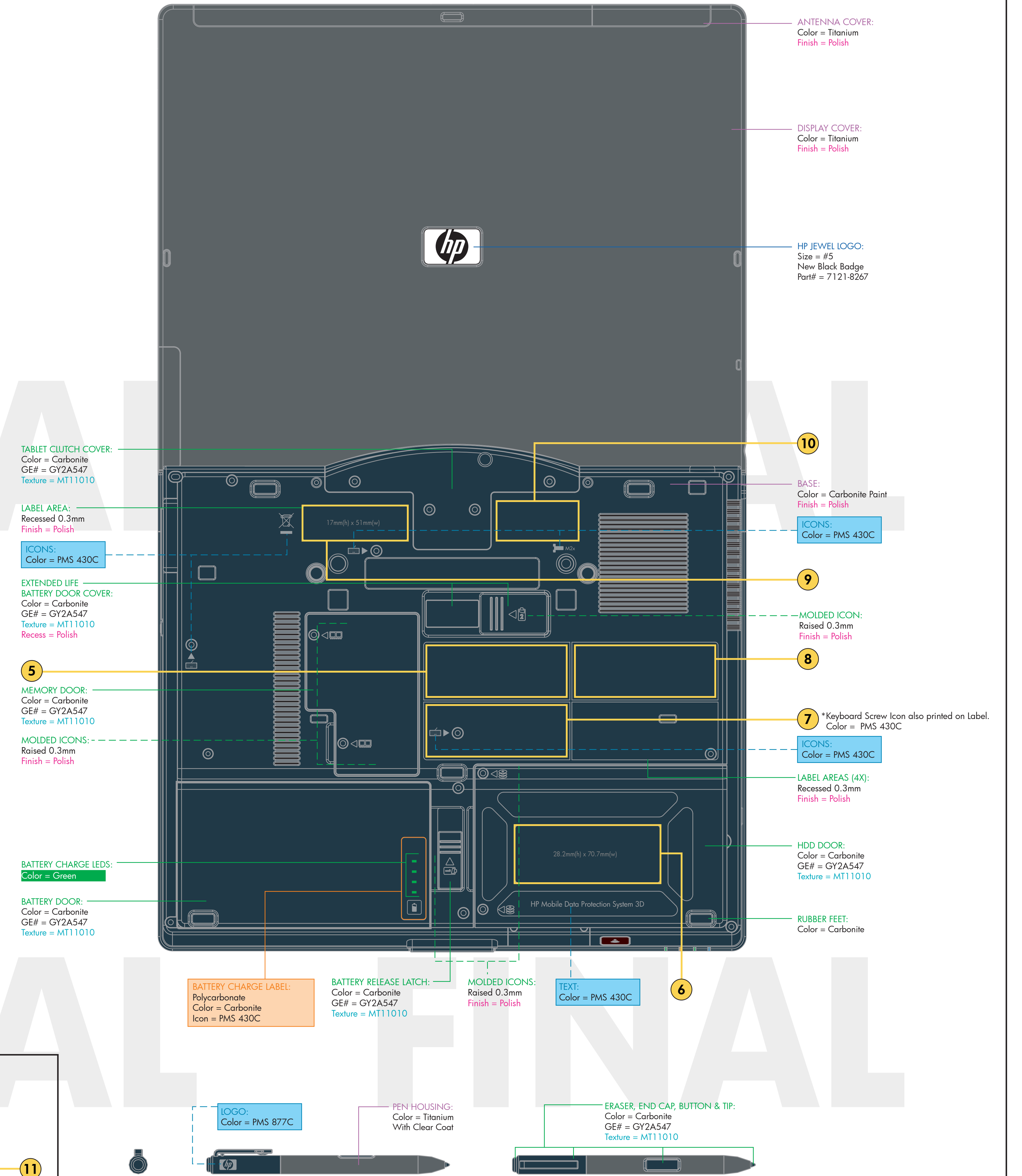
### View 3: front



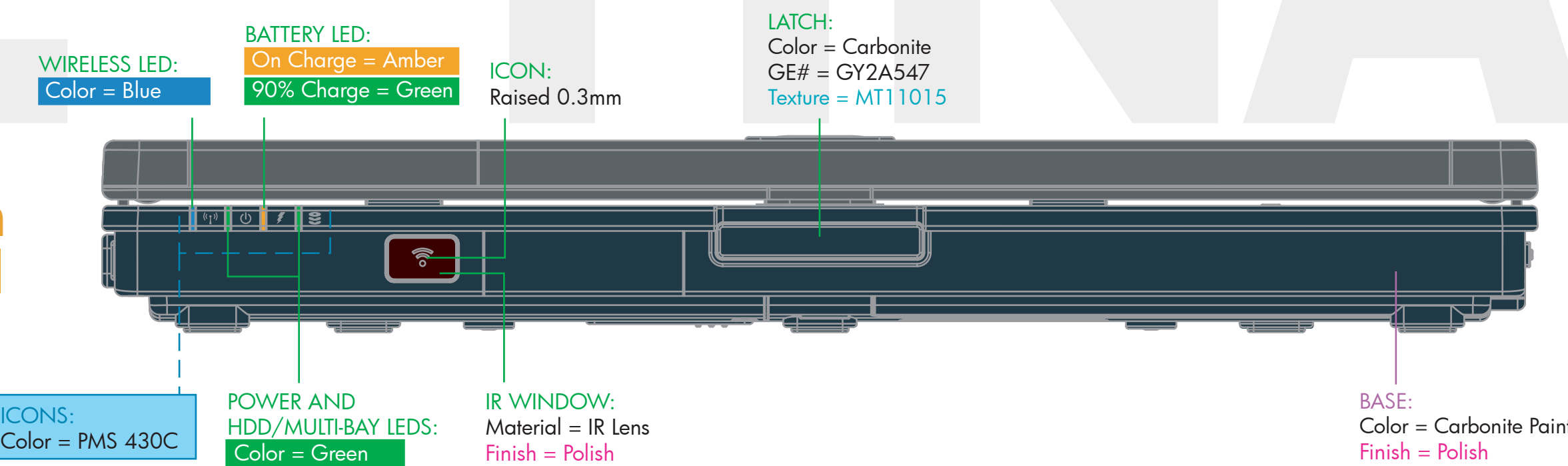
### View 5: right end



### View 6: top case & bottom case



### View 4: front button panel detail



**HP SERIES NUMBER BADGE SPEC:**

Start: "0000" represents the number of digits to be used in the same position.

Example: Xxxxxx y00000

Label is polycarbonate marked by the color. "x" represents the color to be used for HP logo.

Example: 04400

HP logo

HP logo

\*Please refer to label spec for actual label #.

**NOTE:** Microsoft has a minimum spacing requirement between their OC label and any other object, such as type, photography, borders, or other logos etc. The required clear space around the logo must be a wide, where x equals 1/5 the width of the logo.

# HEA2.0TC20060110

hp graphic plan	
Heavenly 2.0 Tablet TC	
07.28.05	1:1
Aniden Interactive	Paul Deery
Eric Irwin	Paul Deery
HEA2.0TC20060110.ai	illustrator v. 11