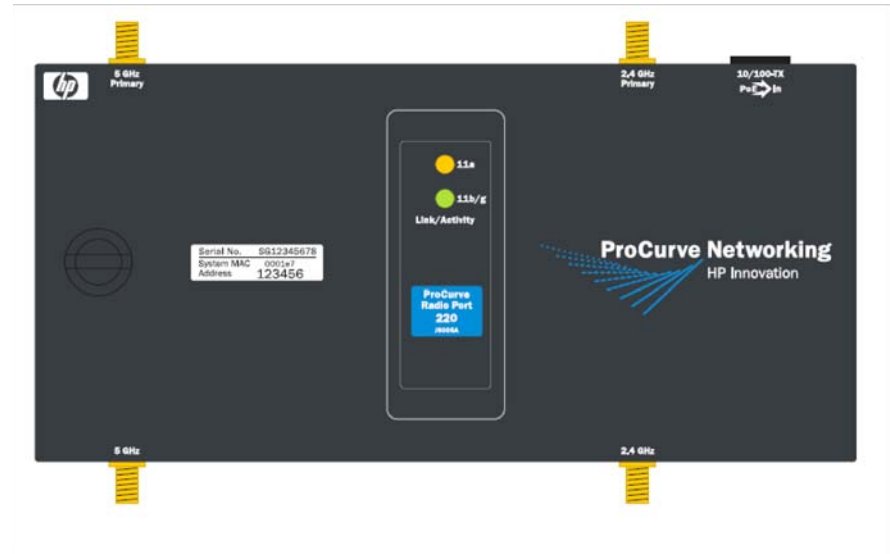

ProCurve Radio Port 220



December 2005

DRAFT v.14

Radio Port Install Guide

© Copyright 2005 Hewlett-Packard Development Company, L.P.
The information contained herein is subject to change without notice.

This document contains proprietary information, which is protected by copyright. No part of this document may be photocopied, reproduced, or translated into another language without the prior written consent of Hewlett-Packard.

Publication Number 5991 3779

Applicable Products

HP ProCurve Radio Port 220 (J9005A)

Trademark Credits

Windows NT®, Windows®, and MS Windows® are US registered trademarks of Microsoft Corporation.

Disclaimer

HEWLETT-PACKARD COMPANY MAKES NO WARRANTY OF ANY KIND WITH REGARD TO THIS MATERIAL, INCLUDING, BUT NOT LIMITED TO, THE IMPLIED WARRANTIES OF MERCHANTABILITY AND FITNESS FOR A PARTICULAR PURPOSE. Hewlett-Packard shall not be liable for errors contained herein or for incidental or consequential damages in connection with the furnishing, performance, or use of this material.

The only warranties for HP products and services are set forth in the express warranty statements accompanying such products and services. Nothing herein should be construed as constituting an additional warranty. HP shall not be liable for technical or editorial errors or omissions contained herein.

Hewlett-Packard assumes no responsibility for the use or reliability of its software on equipment that is not furnished by Hewlett-Packard.

Warranty

See the Customer Support/Warranty booklet included with the product.

A copy of the specific warranty terms applicable to your Hewlett-Packard products and replacement parts can be obtained from your HP Sales and Service Office or authorized dealer.

Introduction

The ProCurve Radio Port 220, a component of the ProCurve Wireless LAN System, links wireless 802.11a/b/g devices to the Ethernet network through a wireless services-enabled switch. This device is to be used with the HP ProCurve Switch 5300 xl, with a ProCurve Wireless EDGE Services xl Module, or other compatible wireless services-enabled switch product. These Radio Ports are designed to be simple plug-and-play devices that require no individual device configuration before being installed into a network. All Radio Port configuration, including country-specific settings, radio channel, radio power, SSID settings, security settings, management information, and Radio Port firmware is provided through the wireless services-enabled switch.

NOTE: Before installing this Radio Port, a wireless services-enabled switch (such as the ProCurve Switch 5300xl with Wireless EDGE Services xl Module installed) should be deployed, configured, and operating in a Normal mode. See the "ProCurve Wireless EDGE Services xl Module Getting Started Guide" for details.

ProCurve Radio Port 220 Package Contents

ProCurve Radio Port 220 with external antenna connectors (Plenum Rated)

NOTE: External Antennae must be purchased separately.

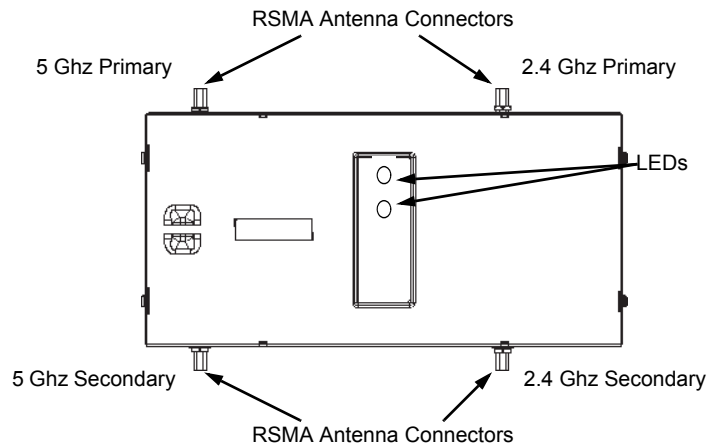
- Two wall mount screws
- Two wall anchors
- Light pipe extender
- Badge for light pipe extender
- Label for badge
- Radio Port Install Guide
- Customer Support/Warranty booklet

Description

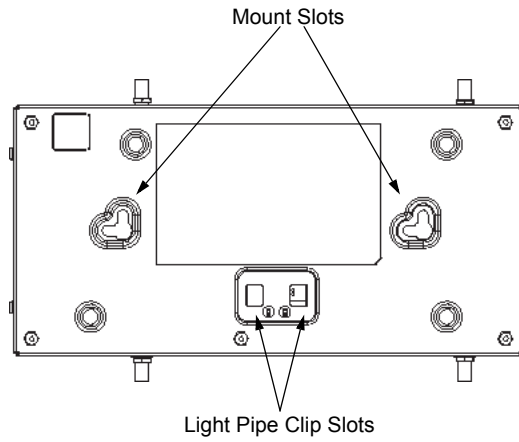
The ProCurve Radio Port 220 is a dual-radio IEEE 802.11-compliant device supporting simultaneous 802.11a and 802.11b/g wireless Ethernet connections. The unit supports up to four external antennas, including up to two 2.4 GHz diversity antennas and up to two 5 GHz diversity antennas. Supported Antennas are listed below under the section entitled Supported Antennas.

The Radio Port 220 is designed for installation in either office or plenum environments, using the mounting slots built into the underside of the metal case. The Radio Port has one RJ-45 connector supporting 10/100 Ethernet and requires power from any UL-listed, 802.3af-compatible Power-over-Ethernet (PoE) switch or power injector.

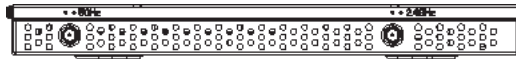
Top View



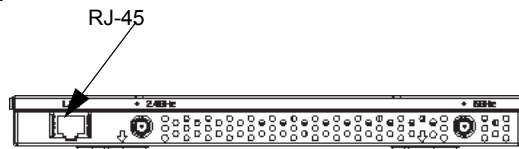
Bottom View



Front View

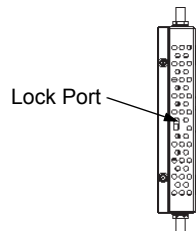


Rear View



Lock Port

The lock port, compatible with laptop-style security cables, is on the side of the case.



Technical Specifications

Operating Voltage	48VDC (from 802.3af-compliant power source)
Operating Current	148mA (typical)
Power	7W (typical)
Operating Temperature	-4 to 122° F (-20 to 50° C)
Non-Operating/Storage Temperature	-40°F to 158°F (-40 to 70°C)
Operating Humidity	5 to 95% (non-condensing)
Non-Operating/Storage Humidity	5 to 95% (non-condensing)
Operating Altitude (max)	10,000 ft (3,048 m)
Non-Operating/Storage Altitude	15,000ft.(4,572 m)
Plenum Rated	UL 2043 - suitable for use in air handling spaces

Dimensions & Weight

Length	237.2mm (9.34in.)
Width	139.6mm (5.50in.)
Height	25.4mm (1.0in.)
Weight	0.73kg (1.6lbs)

Features

- High-performance 802.11-compliant radios
- Two Reverse SMA (RSMA) connectors for 2.4-2.5Ghz antennas and two Reverse SMA (RSMA) connectors for 4.9-5.825Ghz antenna connection
- Supports a single antenna or dual antennas in diversity mode for both 802.11b/g (2.4 GHz) and 802.11a (5GHz) bands
- Integrated 10/100 Base-TX Ethernet RJ-45 port
- Two redundant sets of LED indicators, top and bottom of Radio Port
- Lightpipe Extender for making LED indicators visible when Radio Port is installed above a ceiling tile
- Safety wire tie point (post)
- Laptop-style lock port
- Slots for wall mounting

Radio Characteristics

The ProCurve Radio Port 220 contains two IEEE 802.11-compliant radios: (1) an 802.11b/g radio operating in the 2.4 to 2.5 GHz band and (2) an 802.11a radio operating in the 4.9 to 5.875Ghz band. The Radio Port accepts a broad range of 2.4-2.5GHz and 4.9-5.875GHz external antennas that can be connected to the Radio Port's two pairs of R-SMA antenna connectors. The following table lists the 802.11-compliant operating modes for each radio. The three supported 802.11g operating modes are simultaneous CCK and OFDM, CCK only, or OFDM only..

Device	Mbps Data Rate Support	Utilizing Diversity	GHz
802.11a	6, 9, 12, 18, 24, 36, 48, 54 OFDM	Transmit and receive	4.9 to 5.875 range
802.11b/g	1, 2, 5.5, 11 CCK 6, 9, 12, 18, 24, 36, 48, 54 OFDM	Transmit and receive	2.4 to 2.5 ISM range

Integrated RJ-45 Port

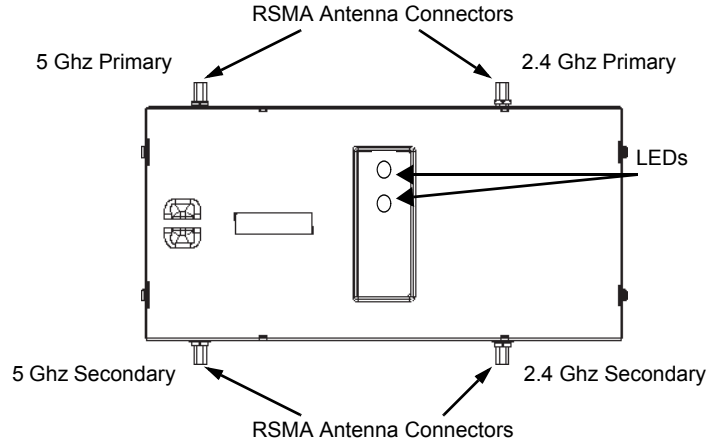
The ProCurve Radio Port 210/230 has one RJ-45 connector supporting a full-duplex 10/100Base-TX Ethernet port and requires IEEE 802.3af-compliant Power-over-Ethernet (PoE) from an external source such as a Power-over-Ethernet (PoE) switch or power injector. Installers can use of a single CAT-5 cable to supply both Ethernet connectivity and power to the Radio Port, allowing these Radio Ports to be installed up to 100 m (300 ft.) from a PoE-compliant 10/100 Ethernet port. There is no additional power supply required.

LED Indicators

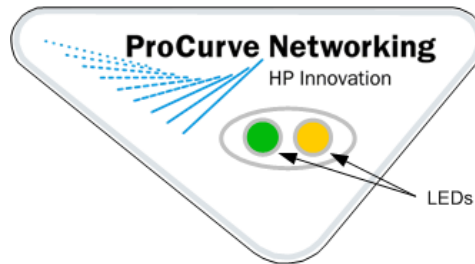
The Radio Port 220 has LED indicators on the front of the case that visually display the status of the device. When the Radio Port is mounted above a suspended ceiling, an additional set of LED indicators on the back of the unit can be extended through the ceiling tile using a provided lightpipe extender, making the Radio Port location and status visible from below the ceiling.

Wall Mount.

Top View



Above Ceiling Mount.



The LED indicators display connection status and error conditions, as well as network activity for each of the two radios. Operation is as follows:

Start-up:

Radio Port Startup occurs immediately following the application of PoE power, or following a power or software reset.

1. Both GREEN and AMBER LEDs light steadily for several seconds while the Radio Port performs an internal self-test.
2. The AMBER LED then flashes 3 times per second, while the GREEN LED is off. This indicates that the Radio Port is attempting to communicate to a compatible wireless services-enabled switch.

3. Both LEDs then go off for a moment, followed by both LEDs lighting steadily for a few seconds.

4. After this sequence, assuming no error conditions have occurred, the Radio Port will enter Normal operation mode. This means that the Radio Port has successfully communicated with and been adopted by a wireless services-enabled switch. If this startup sequence repeats itself, then it is likely that the Radio Port is unable to contact a compatible wireless services-enabled switch, and the installer should review the Troubleshooting section below.

Normal Operation:

Once the Radio Port has established a connection to a compatible wireless services-enabled switch the Radio Port will begin normal operation. During normal operation, the GREEN LED indicates status of the 802.11 b/g radio, and the AMBER LED indicates status of the 802.11a radio.

- Without Wireless Traffic: Each LED will briefly flash once every 5 seconds, to indicate that power is on, and the Radio Port is communicating normally to its wireless services-enabled switch. The flashing may not be synchronous between the two LED indicators.
- With Wireless Traffic: Each LED will briefly flash more frequently than once every 5 seconds, and in an irregular fashion, to represent traffic on that radio.

Radio Error Mode:

- The GREEN LED flashes on and off steadily once per second if an error prevents the 802.11b/g radio from operating normally.
- The AMBER LED flashes on and off steadily once per second if an error prevents the 802.11a radio from operating normally.

Installation Instructions

The ProCurve Radio Port 220 can be mounted either on a wall or other mounting point, or above a suspended ceiling. This Radio Port is not designed for mounting on a desk.

To prepare for installation, perform the following steps:

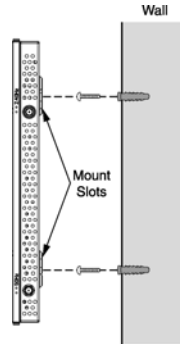
1. Review site survey and network analysis reports to determine the location and mounting position for the ProCurve Radio Port 220. Verify the recommended external antenna type and antenna mounting configuration.
2. Match the Radio Port model number on the purchase order with the model numbers in the packing list and on the case of the device shipped.
3. Verify that the contents of the box include the intended ProCurve Radio Port 220 and mounting hardware:

Radio Port	Item	Notes
220	J9005A	802.11a & 802.11b/g radios with external connectors. This radio port is configured with two pairs of RSMA connectors

4. Verify that you have the recommended external antenna model and type for the desired installation. External antennas must be purchased separately. For a list of Supported Antennas for this Radio Port, see 'Supported Antennas' below.
5. Connect a CAT-5 cable to a compatible 802.3af power source and run the cable to the installation site. Ensure that there is sufficient slack on the cable to perform the installation steps.

Wall Mount

Wall mounting consists of hanging the ProCurve Radio Port 220 along its width or length using the pair of wide-shoulder mounting screws provided, and mounting slots on the bottom of the unit. The ProCurve Radio Port 220 can be mounted onto any wood, plaster, or cement wall surface using the provided wall anchors when necessary. The illustration shows a vertical mount.



Wall Mount Hardware

- Two Phillips pan head self-tapping screws
- Two wall anchors
- Safety wire (recommended) and security cable (optional)

Note: In the event that the original mounting screws are lost, the following screws can be used instead: ANSI Standard #6-18 X 0.875in. Type A or AB Self-Tapping Screw, or (ANSI Standard Metric) M3.5 X 0.6 X 20mm Type D Self-Tapping Screw

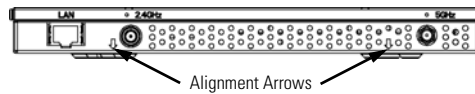
Wall Mount Procedure

1. If the antennas being used with the Radio Port 220 require special mounting provisions or mounting locations, mount these antennas in their desired locations first, using the appropriate mounting hardware provided with the antenna. Antenna mounting position is the most critical element of Radio Port installation. If necessary, the mounting location of the Radio Port 220 should be adjusted to ensure that the antenna leads from the antenna mounting location can reach it.
2. For a horizontal Radio Port installation, lightly mark a horizontal line on the wall at the location where the midline of the Radio Port is to be located. For a vertical installation, lightly mark a vertical line on the wall at the location where the midline of the Radio Port is to be located.
3. Using the alignment arrows on one edge of the Radio Port case as guides, place the edge of the Radio Port along the midline from step 1. and mark the two points on the midline for the location of the mounting screws.
4. At each of the two points, drill a hole in the wall, insert an anchor (if required), screw the wall mounting screw into the anchor and stop when there is 1mm remaining between the screw head and the wall.

Note: When pre-drilling holes, the recommended hole size is 3mm (0.125 or 1/8 in.) if the screws are going directly into the wall and 6mm (0.25 or 1/4 in.) if the provided wall anchors are being used.

5. If required, loop a safety wire, between 1.5mm (.06in.) and 2.5mm (.10in.) in diameter, around the safety wire tie post on the Radio Port and secure the loop. Attach the opposite end of the safety wire to a secure point on the wall.

6. If required, install and attach a security cable to the Radio Port's lock port. The lock port, compatible with laptop-style security cables, is on the side of the case. Attach the opposite end of the security cable to a secure, stationary point.
7. Attach the appropriate antennas to the Radio Port's antenna connectors. Pay close attention to ensure that the appropriate antenna for each frequency band is attached to the appropriate antenna connector for that frequency band on the Radio Port. For single (non-diversity) antennas, attach the antenna to the Radio Port connector marked as Primary for that frequency band.
8. Plug the Ethernet cable into the Radio Port's RJ-45 port and connect the opposite end of the cable to a switch with an 802.3af-compatible power source.
9. Place the large corner of each of the case's mounting slots over the mounting screw heads.
10. Slide the case down along the mounting surface to hang the Radio Port mounting slots on the mounting screw heads.
11. Verify the unit has power by observing that the LEDs are lit or flashing.

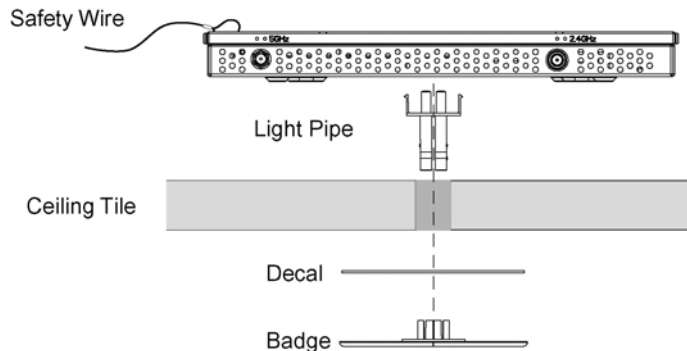


Suspended Ceiling Tile (Plenum) Mount

Mounting the Radio Port 220 above a suspended ceiling (in the plenum) consists of placing the ProCurve Radio Port 220 above a suspended ceiling and making the appropriate safety wire, antenna, and Ethernet connections. If desired, the light pipe extender provided with the Radio Port can be used to make the Radio Port's location and status visible from below the suspended ceiling. The procedure below outlines the installation using the light pipe extender

WARNING: Do not mount the ProCurve Radio Port 220 directly to any suspended ceiling tile with a thickness less than 12.7mm (0.5in.) or a suspended ceiling tile with an unsupported span greater than 660mm (26in.).

WARNING: The Radio Port 220 case is equipped with a safety wire tie point. To prevent accidental damage or injury, HP strongly recommends that installers secure the ProCurve Radio Port 220 with a safety wire suitable for the specific installation. The safety wire should be a standard ceiling suspension cable or equivalent steel wire between 1.59mm (.062in.) and 2.5mm (.10in.) in diameter.



Ceiling Mount Hardware

- Light pipe extender
- Badge for light pipe extender
- Label for light pipe badge
- Safety wire (recommended) and security cable (optional)

Ceiling Mount Procedure

1. If possible, remove the ceiling tile from its frame and place it, finished side down, on a work surface.
2. Mark a point on the upper or unfinished side of the tile where the light pipe extender will be installed. It is best to leave at least 5 cm (2 in.) or more between the edge of the ceiling tile and the center of the light pipe to allow clearance for placement of the Radio Port and antenna connections above the ceiling tile.
3. Drill two 6 mm (1/4 inch) holes adjacent to each other through the ceiling tile to accommodate the twin shafts of the light pipe extender.
4. Snap the clips of the light pipe extender into the bottom of the Radio Port case.
5. Place the Radio Port and light pipe extender over the hole on the unfinished side of the ceiling tile. Fit the light pipe extender through the hole to project through on the finished side of the ceiling tile.
6. Place the label for the light pipe badge over the hub on the back of the badge and press the badge onto the light pipe extender from the finished side of the ceiling tile.
7. If required, install a safety wire, between 1.5mm (.06in.) and 2.5mm (.10in.) in diameter, to a secure, stationary point in the ceiling space.
8. If required, attach a security cable to a secure, stationary point in the ceiling space.
9. Attach the appropriate antennas to the Radio Port's antenna connectors. If the antennas are intended to be mounted below the ceiling tile, it may be convenient to make provision for this installation in the same ceiling tile as the Radio Port and light pipe extender.
10. Bring the ceiling tile into the ceiling space.
11. Attach the end of the safety wire from Step 7. to the safety wire tie point on the Radio Port.
12. Attach the end of the security cable from Step 8. to the Radio Port's lock port located on one end of the Radio Port.
13. Plug the Ethernet cable into the Radio Port's RJ-45 port and to a switch with an 802.3af-compatible power source.
14. Verify the Radio Port has power by observing the LEDs.
15. Place the ceiling tile back in its frame to complete the installation.

Supported Antennas

The following is a list of available antennas for the ProCurve Radio Port 220:

Diversity means that the antenna has two cables connecting it to the Radio Port 220. (Antenna J8997A has a diversity feature). A 2.4 GHz diversity antenna will have one cable connecting to the "2.4 GHz Primary" connector, and the second cable connecting to the connector labeled "2.4 GHz"; a 5 GHz diversity antenna will connect to the "5 GHz Primary" and "5GHz" connectors. All of the other antennas have a single cable which would typically connect to either the "2.4 GHz Primary" or "5GHz Primary" antenna connector as appropriate.

HP Product Number	Frequency Range (GHZ)	Antenna Type/ Coverage	Diversity	Actual Gain w/ specified cable (dBi)
J8441A	2.4	Indoor/Outdoor Omni-Directional (dipole)	No	4.4
J8444A	2.4	Outdoor Omni-directional (dipole)	No	7.4

HP Product Number	Frequency Range (GHZ)	Antenna Type/ Coverage	Diversity	Actual Gain w/ specified cable (dBi)
J8448A	2.4	Directional point-to-point (Yagi)	No	13.8
J8997A	2.4/5.0	Omni-directional (ceiling-mount panel)	Yes	3.0/4.0
J8998A	5.0	Indoor/Outdoor Omni-directional (dipole)	No	6.3
J8999A	2.4/5.0	60-degree Directional (panel)	No	6.9/7.7
J9000A	5.0	25- degree Directional (panel)	No	13.3

Caution

When using antennas outdoors, a lightning arrestor is required for lightning protection. Consider placing the lightning arrestor immediately before the antenna cable enters the building. HP offers a lightning arrestor as an accessory; it is orderable under HP product number J8996A.

All HP ProCurve devices are designed to be compliant with the rules and regulations in locations they are sold and will be labeled as required. Any changes or modifications to HP ProCurve Equipment, not expressly approved by HP, could void the user's authority to operate this device. Use only antennas approved for use with this device.

Unauthorized antennas, modifications, or attachments could cause damage and may violate local radio regulations in your region.

This device is to be used only with HP ProCurve Switch 5300xl with a ProCurve Wireless EDGE Services xl Module installed, or other compatible controller device. When using external antennas, users must ensure that the combined transmit power and antenna gain does not violate the maximum Equivalent Isotropic Radiated Power (EIRP) for your region.

Information on configuration this device to operate in a compliant manner can be found in the ProCurve Wireless EDGE Services xl Module Installation Guide.

Troubleshooting Radio Port Installation

This section describes how to troubleshoot the installation of your ProCurve Radio Port primarily from a hardware perspective. You can perform more in-depth troubleshooting of your wireless LAN system from the console or web UI on your wireless services-enabled ProCurve switch. For more information on software configuration or troubleshooting, see the "ProCurve Wireless EDGE Services xl Module Getting Started Guide" for details.

Basic troubleshooting relies on the LED indicators to diagnose the condition of the Radio Port. The table below shows LED patterns on the Radio Port that indicate problem conditions.

LED Error Indicators

GREEN LED	AMBER LED	Diagnostic Tips
Off steadily while Ethernet cable is linked to a PoE source. Remains off even when Radio Port is disconnected from Ethernet cable and reconnected.	Off steadily while Ethernet cable is linked to a PoE source. Remains off even when Radio Port is disconnected from Ethernet cable and reconnected.	Radio Port is not receiving PoE power. Verify that the Ethernet cable is connected directly to an IEEE 802.3af-compatible PoE source, and that all cable connections are tight and secure. Verify that the PoE source device is powered on, and that the PoE function has been administratively enabled on the source port connected to the Radio Port. Verify that the network cable is functioning properly, or try a different cable. Try plugging the Radio Port into another PoE power source, or connect another PoE device to the port to confirm if the PoE source is functioning appropriately.
Both GREEN and AMBER LED Indicators light steadily for several seconds, followed by the AMBER LED flashing steadily on and off three times a second for several seconds, then this cycle repeats itself continuously.		The Radio Port is encountering a Startup Error, and is unable to successfully communicate with or be adopted by a compatible wireless services-enabled switch. See the Startup Error checklist below for further diagnostic tips.
Flashes on and off steadily once per second	✱	The Radio Port has encountered an error that prevents the 802.11b/g radio from operating normally.
✱	Flashes on and off steadily once per second	(Radio Port 230 only) The Radio Port has encountered an error that prevents the 802.11a radio from operating normally.

* This LED Indicator is not important for this diagnosis

Startup Error Checklist

Startup errors occur when the Radio Port is unable to communicate with a compatible wireless services-enabled switch, or when the Radio Port successfully communicates to a compatible switch but the switch is not able to adopt and manage the Radio Port. The following steps can be used to determine the different circumstances that may be preventing the Radio Port from being adopted by the switch and operating normally.

1. The network connection between the Radio Port and the wireless services-enabled switch has been disrupted. Verify that network connectivity between the Ethernet cable and the wireless services-enabled switch by connecting another device, such as a laptop, to the Ethernet cable and confirming network connectivity to the switch. Verify that the Ethernet port to which the Radio Port is connected has not been disabled, and if 802.1x port security is turned on, that the 802.1x Port security is compatible with the Radio Port's 802.1x settings.
2. The network between the Radio Port and the wireless services-enabled switch has a Layer 3compatibility issue (e.g. the two devices are on different subnets.)
3. The network between the Radio Port and the wireless services-enabled switch has a Layer 2compatibility issue (e.g. the two devices are on different VLANs.)
4. The wireless services-enabled switch may not be configured properly. In the case of the ProCurve Switch 5300xl, verify that the Wireless EDGE Services xl Module is properly installed, configured, and operational. In particular, verify that the wireless services' country-code setting has been properly configured, as this setting must be configured to enable the wireless service to function. Refer to the "ProCurve Wireless EDGE Services xl Module Getting Started Guide" for details.
5. The wireless services-enabled switch may not be functioning normally. Refer to the "ProCurve Wireless EDGE Services xl Module Getting Started Guide" for details on verifying operation.
6. The wireless service may have adopted Radio Ports up to it's Authorization Level and may not be authorized to adopt additional Radio Ports. Review the number of Radio Ports the wireless services-enabled switch has currently adopted and compare this number to the number of Radio Ports authorized based on the licenses installed.

HP Customer Service

If you are still having trouble with your Radio Port or ProCurve wireless services-enabled switch, Hewlett-Packard offers support 24 hours a day, seven days a week through the use of a number of automated electronic services. See the Customer Support/Warranty booklet that came with your Radio Port for information on how to use these services

to get technical support. The HP ProCurve web site, www.procurve.com also provides up-to-date support information under product support. In addition, your HP-authorized network reseller can provide you with assistance, both with services that they offer and with services offered by HP.

Before Calling Support

To make the support process most efficient, before calling your networking dealer or HP Support, you first should retrieve the following information

Information Item	Information Location
<ul style="list-style-type: none">• product identification for the Radio Port and any antennas connected to the Radio Port	<ul style="list-style-type: none">• the front of the module, J9005A, and identifying labels on any connected antennas.
<ul style="list-style-type: none">• product identification for the wireless services-enabled switch to which the Radio Port is intended to connect, and any modules installed in that switch, if any	<ul style="list-style-type: none">• the front of the switch
<ul style="list-style-type: none">• details about the Radio Port's status and the status of the wireless services-enabled switch including the software (OS) version of the switch and any installed modules, a copy of the wireless services configuration,• a copy of the switch Event Log,• a copy of the switch status• counters information	<ul style="list-style-type: none">• Switch console (Wireless Services Configuration Level): show command• switch event Log• Syslog server entry file, if configured
<ul style="list-style-type: none">• copy of your network topology map, including network addresses assigned to the relevant devices	<ul style="list-style-type: none">• your network records

See your Warranty Booklet for the appropriate phone number in your area.

Service Information: For the latest version of this Guide, go to: <http://www.procurve.com>

Safety and Regulatory Statements

Safety Information



Documentation reference symbol. If the product is marked with this symbol, refer to the product documentation to get more information about the product.

WARNING

A **WARNING** in the manual denotes a hazard that can cause injury or death.

CAUTION

A **CAUTION** in the manual denotes a hazard that can damage the equipment or create a non-compliant condition.

Do not proceed beyond a **WARNING** or **CAUTION** notice until you have understood the hazardous conditions and have taken appropriate steps.

Grounding

- If your LAN covers an area served by more than one power distribution system, be sure their safety grounds are securely interconnected.
- LAN cables may occasionally be subject to hazardous transient voltages (such as lightning or disturbances in the electrical utilities power grid). Handle exposed metal components of the network with caution.

Servicing

There are no user-serviceable parts inside this product. Any servicing, adjustment, maintenance or repair must be performed only by service trained personnel.

This product does not have a power switch; it is powered on when the LAN cable is plugged in.

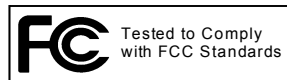
Regulatory Model Identification Number

For regulatory identification purposes, this product has been assigned a Regulatory Model Number (RMN). The RMN for your product is RSVLC-0505. The RMN should not be confused with the marketing name (Radio Port 220) or the Product Number (J9005A).

Regulatory Statements

Notice for U.S.A.

Manufacturer's FCC Declaration of Conformity Statement



Product No:	J9005A
FCC ID No:	B94RSVLC-0505
Regulatory Model No:	RSVLC-0505
Manufacturer::	Hewlett-Packard Company 3000 Hanover Street Palo Alto, CA 94394-1185 USA
Phone:	650-857-1501

For questions regarding this declaration, contact the Product Regulations Manager at the above address or phone number.

This device complies with Part 15 of the FCC rules. Operation is subject to the following two conditions: 1) this device may not cause harmful interference, and 2) this device must accept any interference received, including interference that may cause undesired operation.

This device has been tested and found to comply with the limits for a Class B digital device, pursuant to part 15 of the FCC Rules. These limits are designed to provide reasonable protection against harmful interference in a residential installation. This equipment generates, uses and can radiate radio frequency energy and, if not installed and used in accordance with the instructions, may cause harmful interference to radio communications. However, there

is no guarantee that interference will not occur in a particular installation. If this equipment does cause harmful interference to radio or television reception, which can be determined by turning the equipment off and on, the user is encouraged to try to correct the interference by one or more of the following measures:

- Reorient or relocate the receiving antenna.
- Increase the separation between the equipment and the receiver.
- Connect the equipment into an outlet on a circuit different from that to which the receiver is connected.
- Consult the dealer or an experienced radio/television technician for help.

The FCC requires the user to be notified that any changes or modifications made to the device that are not expressly approved by the Hewlett-Packard Company may void the user's authority to operate the equipment.

WARNING Exposure to Radio Frequency Radiation

The radiated output power of this device is below the FCC radio exposure limits. Nevertheless, the device should be used in such a manner that the potential for human contact during normal operation is minimized. To avoid the possibility of exceeding the FCC radio frequency exposure limits, human proximity to the antennas should not be less than 20 cm (8 inches) during normal operation.

- **The antenna 4 of this device requires Professional installation to satisfy the FCC requirements, and its Maximum output is 19.5 dBm.**
- **Operations in the band 5.15-5.25GHz are restricted to indoor usage only.**
- **FCC RF exposure compliance for specific co-located transmitter conditions (radio port 230) was evaluated for mobile operating configurations, other co-located configurations or operations in conjunction with any other antenna or transmitter are not authorized and require separate FCC approval.**

Notice for European Community



This device complies with the EMC Directive 89/336/EEC, Low Voltage Directive 73/23/EEC and R&TTE Directive 1999/5/EC. Compliance with these directives implies conformity to harmonized European standards (European Norms) that are listed on the EU Declaration of Conformity that has been issued by HP for this device.

Countries of Operation & Conditions of Use

This device may be used in the following EU and EFTA countries: Austria, Belgium, Cyprus, Czech Republic, Denmark, Estonia, Finland, France, Germany, Greece, Hungary, Iceland, Ireland, Italy, Latvia, Liechtenstein, Lithuania, Luxembourg, Malta, Netherlands, Norway, Poland, Portugal, Slovak Republic, Slovenia, Spain, Sweden, Switzerland and the United Kingdom. Requirements for indoor vs. outdoor operation, licensing and allowed channels of operation apply in some countries as described below.

Note: The user must use the configuration utility provided with this device to ensure the channels of operation are in conformance with the spectrum usage rules for EU and EFTA countries as described below.

2.4 GHz Operation:

- This device may be operated indoors or outdoors in all EU and EFTA countries using the 2.4GHz band (Channels 1 - 13), except where noted below.
- In Italy, a license is required for outdoor use. Verify with your dealer or directly with the General Direction for Frequency Planning and Management (Direzione Generale Pianificazione e Gestione Frequenze).

E' necessaria una concessione ministeriale anche per l'uso del prodotto. Verifici per favore con il proprio distributore o direttamente presso la Direzione Generale Pianificazione e Gestione Frequenze.

- In France, this device may use the entire 2400 - 2483.5 MHz band (Channels 1 through 13) for indoor applications. For outdoor use, only the 2400 - 2454 MHz frequency band (Channels 1 through 7) may be used. For the latest requirements, see <http://www.art-telecom.fr>.
- L'utilisation de cet équipement (2.4GHz wireless LAN) est soumise à certaines restrictions: cet équipement peut être utilisé à l'intérieur d'un bâtiment en utilisant toutes les fréquences de 2400 à 2483.5MHz (Chaîne 1-13). Pour une utilisation en environnement extérieur, vous devez utiliser les fréquences comprises entre 2400 à 2454MHz (Chaîne 1-7). Pour les dernières restrictions, voir <http://www.art-telecom.fr>.

5 GHz Operation:

- This device requires the user to properly enter the current country of operation during the initial setup of the Radio Port. Once the country of operation has been entered, the Radio Port will automatically limit the available channels, ensuring compliant operation in the selected country. Incorrectly entering the country of operation may result in illegal operation and may cause harmful interference to other systems. The user is obligated to ensure the device is operating according to the channel limitations, indoor/outdoor restrictions and license requirements for each European Community country as described in this document. Information on configuring this device can be found in the ProCurve 5300xl Module Installation Guide.
- This device employs a radar detection feature required for European Community and EFTA country operation in the 5GHz band. This feature is automatically enabled when the country of operation is correctly configured for any European Community or EFTA country. The presence of nearby radar operation may result in temporary interruption of operation of this device. The radar detection feature will automatically restart operation on a channel free of radar.
- This device is restricted to indoor use when operated in EU and EFTA countries using the 5.15-5.35GHz band (Channels 36, 40, 44, 48, 52, 56, 60 and 64). See the table below for the allowed 5GHz channels in each band.

Operation Using 5 GHz Channels in the European Community

The user must ensure operation of this device is in conformance with European National spectrum usage laws as shown below and elsewhere in this document.

Frequency Band (MHz)	Allowed Channels	Usage	Maximum EIRP (mW)	Maximum EIRP (dBm)
5150-5250	36,40,44,48	Indoor Use only	200	23
5250-5350	52,56,60,64	Indoor Use only	200	23
5470-5725	100, 104, 108, 112, 116, 120, 124, 128, 132, 136, 140	Indoor or outdoor use	1000	30

Notice For Canada

This device complies with the limits for a Class B digital device and conforms to Industry Canada standard ICES-003. Products that contain a radio transmitter comply with Industry Canada standard RSS210 and are labeled with an IC approval number.


Cet appareil numérique de la classe B est conforme à la norme ICES-003 de Industry Canada. La radio sans fil de ce dispositif est conforme à la certification RSS 210 de Industry Canada et est étiquetée avec un numéro d'approbation IC.

This device complies with the Class B limits of Industry Canada. Operation is subject to the following two conditions: 1) this device may not cause harmful interference, and 2) this device must accept interference received, including interference that may cause undesired operation.

This device has been designed to operate with the antennas listed under Supported Antennas (page x), having a maximum gain of 13.8 dBi. Antennas not included in this list or having a gain greater than 13.8 dBi are strictly prohibited for use with this device. The required impedance is 50 ohms.

To reduce potential radio interference with other users, the antenna type and its gain should be so chosen that the equivalent isotropically radiated power (EIRP) is not more than that required for successful communication.

EU Declaration of Conformity:

DECLARATION OF CONFORMITY according to ISO/IEC Guide 22 and EN 45014	
Manufacturer's Name:	Hewlett-Packard Company
Manufacturer's Address:	8000 Foothills Blvd. Roseville, CA 95747-5502 U.S.A.
declares, that the product	
Product Name:	HP Procurve Radio Port 220
Product Number(s):	J9005A
Regulatory Model:	RSVLC-0505
conforms to the following Product Specifications:	
Safety:	EN 60950-1:2001 / IEC 60950-1:2001
Health:	EU 1999/519/EC
EMC:	EN 55022:1998 +A1+A2 / CISPR 22:1997 +A1+A2 Class B ¹ EN 301 489-1 V1.4.1 (2002-08) EN 301 489-17 V1.2.1 (2002-08) EN 60601-1-2:2001 / IEC 60601-1-2:2001
Radio:	EN 300 328 V1.4.1 (2003-04) EN 301 893 V1.2.3 (2003-08)
Supplementary Information:	
The product herewith complies with the requirements of the Low Voltage Directive 73/23/EEC, the EMC Directive 89/336/EEC and the R&TTE Directive 1999/5/EC and carries the CE marking accordingly.	
1) The Product was tested in a typical configuration with a laptop computer.	
Roseville, December 20 2005	 Mike Avery, Regulatory Engineering Mgr.
European Contact: Your local Hewlett-Packard Sales and Service Office or Hewlett-Packard GmbH, Department HQ-TRE, Herrenberger Straße 140, D-71034 Böblingen (FAX: + 49-7031-14-3143)	

Notice For Japan

この機器の使用周波数帯では、電子レンジ等の産業・科学・医療用機器のほか工場の製造ライン等で使用されている移動体識別用の構内無線局（免許を要する無線局）及び特定小電力無線局（免許を要しない無線局）が運用されています。

- 1 この機器を使用する前に、近くで移動体識別用の構内無線局及び特定小電力無線局が運用されていないことを確認して下さい。
- 2 万一、この機器から移動体識別用の構内無線局に対して電波干渉の事例が発生した場合には、速やかに使用周波数を変更するか又は電波の発射を停止した上、下記連絡先にご連絡頂き、混信回避のための処置等（例えば、パーティションの設置など）についてご相談して下さい。
- 3 その他、この機器から移動体識別用の特定小電力無線局に対して電波干渉の事例が発生した場合など何かお困りのことが起きたときは、次の連絡先へお問い合わせ下さい。

連絡先：日本ヒューレット・パッカード株式会社 TEL：0120-014121

Notice For Taiwan:

DGT LPD (Low Power devices) Statement

低功率電波輻射性電機管理辦法

第十四條 經型式認證合格之低功率射頻電機，非經許可，公司、商號或使用者均不得擅自變更頻率、加大功率或變更原設計之特性及功能。

第十七條 低功率射頻電機之使用不得影響飛航安全及干擾合法通信；經發現有干擾現象時，應立即停用，並改善至無干擾時方得繼續使用。

前項合法通信，指依電信規定作業之無線電信。低功率射頻電機須忍受合法通信或工業、科學及醫療用電波輻射性電機設備之干擾。

Recycle Statements

Waste Electrical and Electronic Equipment (WEEE) Statements



Disposal of Waste Equipment by Users in Private Household in the European Union

This symbol on the product or on its packaging indicates that this product must not be disposed of with your other household waste. Instead, it is your responsibility to dispose of your waste equipment by handing it over to a designated collection point for the recycling of waste electrical and electronic equipment. The separate collection and recycling of your waste equipment at the time of disposal will help to conserve natural resources and ensure that it is recycled in a manner that protects human health and the environment. For more information about where you can drop off your waste equipment for recycling, please contact your local city office, your household waste disposal service or the shop where you purchased the product.



Likvidace zařízení soukromými domácími uživateli v Evropské unii

Tento symbol na produktu nebo balení označuje výrobek, který nesmí být vyhozen spolu s ostatním domácím odpadem. Povinností uživatele je předat takto označený odpad na předem určené sběrné místo pro recyklaci elektrických a elektronických zařízení. Okamžité třídění a recyklace odpadu pomůže uchovat přírodní prostředí a zajistí takový způsob recyklace, který ochrání zdraví a životní prostředí člověka. Další informace o možnostech odevzdání odpadu k recyklaci získáte na příslušném obecním nebo městském úřadě, od firmy zabývající se sběrem a svozem odpadu nebo v obchodě, kde jste produkt zakoupili.



Bortskaffelse af affald fra husstande i den Europæiske Union

Hvis produktet eller dets emballage er forsynet med dette symbol, angiver det, at produktet ikke må bortskaffes med andet almindeligt husholdningsaffald. I stedet er det dit ansvar at bortskaffe kasseret udstyr ved at aflevere det på den kommunale genbrugsstation, der forestår genvinding af kasseret elektrisk og elektronisk udstyr. Den centrale modtagelse og genvinding af kasseret udstyr i forbindelse med bortskaffelsen bidrager til bevarelse af naturlige ressourcer og sikrer, at udstyret genvindes på en måde, der beskytter både mennesker og miljø. Yderligere oplysninger om, hvor du kan aflevere kasseret udstyr til genvinding, kan du få hos kommunen, den lokale genbrugsstation eller i den butik, hvor du købte produktet.



Seadmete jäätmete kõrvaldamine eramajapidamistes Euroopa Liidus

See tootel või selle pakendil olev sümbol näitab, et kõnealust toodet ei tohi koos teiste majapidamisjäätmetega kõrvaldada. Teie kohus on oma seadmete jäätmed kõrvaldada, viies need elektri- ja elektroonikaseadmete jäätmete ringlussevõtmiseks selleks ettenähtud kogumispunkti. Seadmete jäätmete eraldi kogumine ja ringlussevõtmine kõrvaldamise ajal aitab kaitsta loodusvarasid ning tagada, et ringlussevõtmine toimub viisil, mis kaitseb inimeste tervist ning keskkonda. Lisateabe saamiseks selle kohta, kuhu oma seadmete jäätmed ringlussevõtmiseks viia, võtke palun ühendust oma kohaliku linnakantselei, majapidamisjäätmete kõrvaldamise teenistuse või kauplusega, kust Te toote ostsite.



Laitteiden hävittäminen kotitalouksissa Euroopan unionin alueella

Jos tuotteessa tai sen pakkauksessa on tämä merkki, tuotetta ei saa hävittää kotitalousjätteiden mukana. Tällöin hävitettävä laite on toimitettava sähkölaitteiden ja elektronisten laitteiden kierrätyspisteeseen. Hävitettävien laitteiden erillinen käsittely ja kierrätys auttavat säästämään luonnonvaroja ja varmistamaan, että laite kierrätetään tavalla, joka estää terveyshaitat ja suojelee luontoa. Lisätietoja paikoista, joihin hävitettävät laitteet voi toimittaa kierrätettäväksi, saa ottamalla yhteyttä jätehuoltoon tai liikkeeseen, josta tuote on ostettu.



Élimination des appareils mis au rebut par les ménages dans l'Union européenne

Le symbole apposé sur ce produit ou sur son emballage indique que ce produit ne doit pas être jeté avec les déchets ménagers ordinaires. Il est de votre responsabilité de mettre au rebut vos appareils en les déposant dans les centres de collecte publique désignés pour le recyclage des équipements électriques et électroniques. La collecte et le recyclage de vos appareils mis au rebut indépendamment du reste des déchets contribue à la préservation des ressources naturelles et garantit que ces appareils seront recyclés dans le respect de la santé humaine et de l'environnement. Pour obtenir plus d'informations sur les centres de collecte et de recyclage des appareils mis au rebut, veuillez contacter les autorités locales de votre région, les services de collecte des ordures ménagères ou le magasin dans lequel vous avez acheté ce produit.



Entsorgung von Altgeräten aus privaten Haushalten in der EU

Das Symbol auf dem Produkt oder seiner Verpackung weist darauf hin, dass das Produkt nicht über den normalen Hausmüll entsorgt werden darf. Benutzer sind verpflichtet, die Altgeräte an einer Rücknahmestelle für Elektro- und Elektronik-Altgeräte abzugeben. Die getrennte Sammlung und ordnungsgemäße Entsorgung Ihrer Altgeräte trägt zur Erhaltung der natürlichen Ressourcen bei und garantiert eine Wiederverwertung, die die Gesundheit des Menschen und die Umwelt schützt. Informationen dazu, wo Sie Rücknahmestellen für Ihre Altgeräte finden, erhalten Sie bei Ihrer Stadtverwaltung, den örtlichen Müllentsorgungsbetrieben oder im Geschäft, in dem Sie das Gerät erworben haben



Απόρριψη άχρηστου εξοπλισμού από χρήστες σε ιδιωτικά νοικοκυριά στην Ευρωπαϊκή Ένωση

Το σύμβολο αυτό στο προϊόν ή τη συσκευασία του υποδεικνύει ότι το συγκεκριμένο προϊόν δεν πρέπει να διατίθεται μαζί με τα άλλα οικιακά σας απορρίμματα. Αντίθετα, είναι δική σας ευθύνη να απορρίψετε τον άχρηστο εξοπλισμό σας παραδίδοντάς τον σε καθορισμένο σημείο συλλογής για την ανακύκλωση άχρηστου ηλεκτρικού και ηλεκτρονικού εξοπλισμού. Η ξεχωριστή συλλογή και ανακύκλωση του άχρηστου εξοπλισμού σας κατά την απόρριψη θα συμβάλει στη διατήρηση των φυσικών πόρων και θα διασφαλίσει ότι η ανακύκλωση γίνεται με τρόπο που προστατεύει την ανθρώπινη υγεία και το περιβάλλον. Για περισσότερες πληροφορίες σχετικά με το πού μπορείτε να παραδώσετε τον άχρηστο εξοπλισμό σας για ανακύκλωση, επικοινωνήστε με το αρμόδιο τοπικό γραφείο, την τοπική υπηρεσία διάθεσης οικιακών απορριμμάτων ή το κατάστημα όπου αγοράσατε το προϊόν.

Recycle Statements

Waste Electrical and Electronic Equipment (WEEE) Statements



Készülékek magánháztartásban történő selejtezése az Európai Unió területén

A készüléken, illetve a készülék csomagolásán látható azonos szimbólum annak jelzésére szolgál, hogy a készülék a selejtezés során az egyéb háztartási hulladéktól eltérő módon kezelendő. A vásárló a hulladékká vált készüléket köteles a kijelölt gyűjtőhelyre szállítani az elektromos és elektronikai készülékek újrahasznosítása céljából. A hulladékká vált készülékek selejtezés kori begyűjtése és újrahasznosítása hozzájárul a természeti erőforrások megőrzéséhez, valamint biztosítja a selejtezett termékek környezetre és emberi egészségre nézve biztonságos feldolgozását. A begyűjtés pontos helyéről bővebb tájékoztatást a lakhelye szerint illetékes önkormányzattól, az illetékes személtakarító vállalattól, illetve a terméket eláruló helyen kaphat.



Smaltimento delle apparecchiature da parte di privati nel territorio dell'Unione Europea

Questo simbolo presente sul prodotto o sulla sua confezione indica che il prodotto non può essere smaltito insieme ai rifiuti domestici. È responsabilità dell'utente smaltire le apparecchiature consegnandole presso un punto di raccolta designato al riciclo e allo smaltimento di apparecchiature elettriche ed elettroniche. La raccolta differenziata e il corretto riciclo delle apparecchiature da smaltire permette di proteggere la salute degli individui e l'ecosistema. Per ulteriori informazioni relative ai punti di raccolta delle apparecchiature, contattare l'ente locale per lo smaltimento dei rifiuti, oppure il negozio presso il quale è stato acquistato il prodotto.



Nolietotu iekārtu iznīcināšanas noteikumi lietotājiem Eiropas Savienības privātajās mājāsaimniecībās

Šāds simbols uz izstrādājuma vai uz tā iesaiņojuma norāda, ka šo izstrādājumu nedrīkst izmest kopā ar citiem sadzīves atkritumiem. Jūs atbildat par to, lai nolietotās iekārtas tiktu nodotas speciāli iekārtotos punktos, kas paredzēti izmantoto elektrisko un elektronisko iekārtu savākšanai otrreizējai pārstrādei. Atsevišķa nolietoto iekārtu savākšana un otrreizējā pārstrāde palīdzēs saglabāt dabas resursus un garantēs, ka šīs iekārtas tiks otrreizēji pārstrādātas tādā veidā, lai pasargātu vidi un cilvēku veselību. Lai uzzinātu, kur nolietotās iekārtas var izmest otrreizējai pārstrādei, jāvērsas savas dzīves vietas pašvaldībā, sadzīves atkritumu savākšanas dienestā vai veikalā, kurā izstrādājums tika nopirkts.



Vartotojų iš privačių namų ūkių įrangos atliekų šalinimas Europos Sąjungoje

Šis simbolis ant gaminio arba jo pakuotės rodo, kad šio gaminio šalinti kartu su kitomis namų ūkio atliekomis negalima. Šalintinas įrangos atliekas privalote pristatyti į specialią surinkimo vietą elektros ir elektroninės įrangos atliekoms perdirbti. Atskirai surenkamos ir perdirbamos šalintinos įrangos atliekos padės saugoti gamtinius išteklius ir užtikrinti, kad jos bus perdirbtos tokiu būdu, kuris nekenkia žmonių sveikatai ir aplinkai. Jeigu norite sužinoti daugiau apie tai, kur galima pristatyti perdirbtinas įrangos atliekas, kreipkitės į savo seniūniją, namų ūkio atliekų šalinimo tarnybą arba parduotuvę, kurioje įsigijote gaminį.



Verwijdering van afgedankte apparatuur door privé-gebruikers in de Europese Unie

Dit symbool op het product of de verpakking geeft aan dat dit product niet mag worden gedeponeerd bij het normale huishoudelijke afval. U bent zelf verantwoordelijk voor het inleveren van uw afgedankte apparatuur bij een inzamelingspunt voor het recyclen van oude elektrische en elektronische apparatuur. Door uw oude apparatuur apart aan te bieden en te recyclen, kunnen natuurlijke bronnen worden behouden en kan het materiaal worden hergebruikt op een manier waarmee de volksgezondheid en het milieu worden beschermd. Neem contact op met uw gemeente, het afvalinzamelingsbedrijf of de winkel waar u het product hebt gekocht voor meer informatie over inzamelingspunten waar u oude apparatuur kunt aanbieden voor recycling.



Pozbywanie się zużytego sprzętu przez użytkowników w prywatnych gospodarstwach domowych w Unii Europejskiej

Ten symbol na produkcie lub jego opakowaniu oznacza, że produktu nie wolno wyrzucać do zwykłych pojemników na śmieci. Obowiązkiem użytkownika jest przekazanie zużytego sprzętu do wyznaczonego punktu zbiórki w celu recyklingu odpadów powstałych ze sprzętu elektrycznego i elektronicznego. Osobna zbiórka oraz recykling zużytego sprzętu pomogą w ochronie zasobów naturalnych i zapewnią ponowne wprowadzenie go do obiegu w sposób chroniący zdrowie człowieka i środowisko. Aby uzyskać więcej informacji o tym, gdzie można przekazać zużyty sprzęt do recyklingu, należy się skontaktować z urzędem miasta, zakładem gospodarki odpadami lub sklepem, w którym zakupiono produkt.



Descarte de Lixo Elétrico na Comunidade Européia

Este símbolo encontrado no produto ou na embalagem indica que o produto não deve ser descartado no lixo doméstico comum. É responsabilidade do cliente descartar o material usado (lixo elétrico), encaminhando-o para um ponto de coleta para reciclagem. A coleta e a reciclagem seletivas desse tipo de lixo ajudarão a conservar as reservas naturais; sendo assim, a reciclagem será feita de uma forma segura, protegendo o ambiente e a saúde das pessoas. Para obter mais informações sobre locais que reciclam esse tipo de material, entre em contato com o escritório da HP em sua cidade, com o serviço de coleta de lixo ou com a loja em que o produto foi adquirido.



Likvidácia vyradených zariadení v domácnostiach v Európskej únii

Symbol na výrobku alebo jeho balení označuje, že daný výrobok sa nesmie likvidovať s domovým odpadom. Povinnosťou spotrebiteľa je odovzdať vyradené zariadenie v zbernom mieste, ktoré je určené na recykláciu vyradených elektrických a elektronických zariadení. Separovaný zber a recyklácia vyradených zariadení prispieva k ochrane prírodných zdrojov a zabezpečuje, že recyklácia sa vykonáva spôsobom chrániacim ľudské zdravie a životné prostredie. Informácie o zberných miestach na recykláciu vyradených zariadení vám poskytne miestne zastupiteľstvo, spoločnosť zabezpečujúca odvoz domového odpadu alebo obchod, v ktorom ste si výrobok zakúpili.



Odstranjevanje odslužene opreme uporabnikov v zasebnih gospodinjstvih v Evropski uniji

Ta znak na izdelku ali njegovi embalaži pomeni, da izdelka ne smete odvreči med gospodinjске odpadke. Nasprotno, odsluženo opremo morate predati na zbirališče, pooblaščeno za recikliranje odslužene električne in elektronske opreme. Ločeno zbiranje in recikliranje odslužene opreme prispeva k ohranjanju naravnih virov in zagotavlja recikliranje te opreme na zdravju in okolju neškodljiv način. Za podrobnejše informacije o tem, kam lahko odpeljete odsluženo opremo na recikliranje, se obrnite na pristojni organ, komunalno službo ali trgovino, kjer ste izdelek kupili.



Eliminación de residuos de equipos eléctricos y electrónicos por parte de usuarios particulares en la Unión Europea

Este símbolo en el producto o en su envase indica que no debe eliminarse junto con los desperdicios generales de la casa. Es responsabilidad del usuario eliminar los residuos de este tipo depositándolos en un "punto limpio" para el reciclado de residuos eléctricos y electrónicos. La recogida y el reciclado selectivos de los residuos de aparatos eléctricos en el momento de su eliminación contribuirá a conservar los recursos naturales y a garantizar el reciclado de estos residuos de forma que se proteja el medio ambiente y la salud. Para obtener más información sobre los puntos de recogida de residuos eléctricos y electrónicos para reciclado, póngase en contacto con su ayuntamiento, con el servicio de eliminación de residuos domésticos o con el establecimiento en el que adquirió el producto.



Bortskaffande av avfallsprodukter från användare i privathushåll inom Europeiska Unionen

Om den här symbolen visas på produkten eller förpackningen betyder det att produkten inte får slängas på samma ställe som hushållssopor. I stället är det ditt ansvar att bortskaffa avfallet genom att överlämna det till ett uppsamlingsställe avsett för återvinning av avfall från elektriska och elektroniska produkter. Separat insamling och återvinning av avfallet hjälper till att spara på våra naturresurser och gör att avfallet återvinns på ett sätt som skyddar människors hälsa och miljön. Kontakta ditt lokala kommunkontor, din närmsta återvinningsstation för hushållsavfall eller affären där du köpte produkten för att få mer information om var du kan lämna ditt avfall för återvinning.
