

RF Exposure report



The following samples were submitted and identified on behalf of the client as:

Product Name	Notebook PC
Brand Name	HP
Model No.	R2022
Applicant	HP Inc. 1501 Page Mill Road, Palo Alto, CA 94304, USA
Standards	IEEE/ANSI C95.1-1992, IEEE 1528-2013
FCC ID	B94R2022GPKV
Date of EUT Receipt	Jun. 07, 2022
Date of Test(s)	Jun. 26, 2022 ~ Aug. 03, 2022
Date of Issue	Aug. 29, 2022

In the configuration tested, the EUT complied with the standards specified above.

Remarks:

This report details the results of the testing carried out on one sample, the results contained in this test report do not relate to other samples of the same product. The manufacturer should ensure that all products in series production are in conformity with the product sample detailed in this report.

This report may only be reproduced and distributed in full. If the product in this report is used in any configuration other than that detailed in the report, the manufacturer must ensure the new system complies with all relevant standards. Any mention of SGS Taiwan Ltd. Central RF Lab or testing done by SGS Taiwan Ltd. Central RF Lab in connection with distribution or use of the product described in this report must be approved by SGS Taiwan Ltd. Central RF Lab in writing.

Signed on behalf of SGS

Clerk / Ruby Ou	PM / Tom Chiang	Approved By / John Yeh
Ruby Ou	Tom Chiang	John Yeh

Date: Aug. 29, 2022

Unless otherwise stated the results shown in this test report refer only to the sample(s) tested and such sample(s) are retained for 90 days only.

除非另有說明，此報告結果僅對測試之樣品負責，同時此樣品僅保留90天。本報告未經本公司書面許可，不可部份複製。

This document is issued by the Company subject to its General Conditions of Service printed overleaf, available on request or accessible at <http://www.sgs.com.tw/Terms-and-Conditions> and for electronic format documents, subject to Terms and Conditions for Electronic Documents at <http://www.sgs.com.tw/Terms-and-Conditions>. Attention is drawn to the limitation of liability, indemnification and jurisdiction issues defined therein. Any holder of this document is advised that information contained hereon reflects the Company's findings at the time of its intervention only and within the limits of Client's instructions, if any. The Company's sole responsibility is to its Client and this document does not exonerate parties to a transaction from exercising all their rights and obligations under the transaction documents. This document cannot be reproduced except in full, without prior written approval of the Company. Any unauthorized alteration, forgery or falsification of the content or appearance of this document is unlawful and offenders may be prosecuted to the fullest extent of the law.

SGS Taiwan Ltd.

No.134,Wu Kung Road, New Taipei Industrial Park, Wuku District, New Taipei City, Taiwan/新北市五股區新北產業園區五工路 134 號

台灣檢驗科技股份有限公司

t (886-2) 2299-3279

f (886-2) 2298-0488

www.sgs.com.tw

Member of SGS Group

Revision History

Report Number	Revision	Description	Issue Date	Revised By	Remark
TESA2206000152E5	Rev.00	Initial creation of document	Aug. 12, 2022	Ruby Ou	*
TESA2206000152E5	Rev.01	Add LTE Band 48 in page 7	Aug. 29, 2022	Ruby Ou	

Note:

- The mark " * " is the revised version of the report due to comments submitted by the certification.
- Measurement results in the original test report TESA2206000151E5 are partially leveraged in this test report.

Unless otherwise stated the results shown in this test report refer only to the sample(s) tested and such sample(s) are retained for 90 days only.

除非另有說明，此報告結果僅對測試之樣品負責，同時此樣品僅保留90天。本報告未經本公司書面許可，不可部份複製。

This document is issued by the Company subject to its General Conditions of Service printed overleaf, available on request or accessible at <http://www.sgs.com.tw/Terms-and-Conditions> and for electronic format documents, subject to Terms and Conditions for Electronic Documents at <http://www.sgs.com.tw/Terms-and-Conditions>. Attention is drawn to the limitation of liability, indemnification and jurisdiction issues defined therein. Any holder of this document is advised that information contained hereon reflects the Company's findings at the time of its intervention only and within the limits of Client's instructions, if any. The Company's sole responsibility is to its Client and this document does not exonerate parties to a transaction from exercising all their rights and obligations under the transaction documents. This document cannot be reproduced except in full, without prior written approval of the Company. Any unauthorized alteration, forgery or falsification of the content or appearance of this document is unlawful and offenders may be prosecuted to the fullest extent of the law.

Contents

1	GENERAL INFORMATION	5
1.1	Test Methodology	5
1.2	Description of EUT.....	6
1.3	Maximum value	8
2	MEASUREMENT SYSTEM	10
2.1	Test Facility	10
2.2	SAR System	11
2.3	PD system	15
3	SAR SYSTEM VERIFICATION	17
3.1	Tissue Simulating Liquid.....	17
3.2	Tissue Simulant Liquid measurement	17
3.3	Measurement results of Tissue Simulant Liquid.....	18
3.4	The composition of the tissue simulating liquid:.....	20
3.5	System check.....	21
3.6	System check results	22
4	PD SYSTEM VERIFICATION	23
4.1	System check.....	23
4.2	System check result	24
5	TEST CONFIGURATIONS	25
5.1	Test Environment.....	25
5.2	Test Note.....	25
5.3	Test position.....	34
5.4	Test limit	35
6	maximum OUTPUT POWER	38
6.1	WCDMA.....	38
6.2	FDD LTE	40
6.3	TDD LTE	123
6.4	LTE DL CA	139
6.5	LTE Intra-Band UL CA.....	143
6.6	LTE Inter-Band UL CA.....	147
6.7	FDD NR	152
6.8	TDD NR	165
6.9	WLAN	185
6.10	WIFI 6E	194
6.11	Bluetooth	198
6.12	BLE.....	198
7	SUMMARY OF RESULTS	202
7.1	Decision rules	202
7.2	Summary of SAR Results.....	202
7.3	Summary of PD Results	208
7.4	Reporting statements of conformity	208
7.5	Conclusion	208
8	SIMULTANEOUS TRANSMISSION ANALYSIS	209
8.1	Simultaneous Transmission Scenarios:	209

Unless otherwise stated the results shown in this test report refer only to the sample(s) tested and such sample(s) are retained for 90 days only.

除非另有說明，此報告結果僅對測試之樣品負責，同時此樣品僅保留90天。本報告未經本公司書面許可，不可部份複製。

This document is issued by the Company subject to its General Conditions of Service printed overleaf, available on request or accessible at <http://www.sgs.com.tw/Terms-and-Conditions> and for electronic format documents, subject to Terms and Conditions for Electronic Documents at <http://www.sgs.com.tw/Terms-and-Conditions>. Attention is drawn to the limitation of liability, indemnification and jurisdiction issues defined therein. Any holder of this document is advised that information contained hereon reflects the Company's findings at the time of its intervention only and within the limits of Client's instructions, if any. The Company's sole responsibility is to its Client and this document does not exonerate parties to a transaction from exercising all their rights and obligations under the transaction documents. This document cannot be reproduced except in full, without prior written approval of the Company. Any unauthorized alteration, forgery or falsification of the content or appearance of this document is unlawful and offenders may be prosecuted to the fullest extent of the law.

8.2	Estimated SAR calculation	210
8.3	SPLSR evaluation and analysis.....	210
8.4	Conclusion	406
9	INSTRUMENTS LIST	407
10	UNCERTAINTY BUDGET	410
11	SAR MEASUREMENT results	414
12	PD measurement result	483
13	SAR SYSTEM check results	493
14	PD system check result	514
15	APPENDIXES	515
15.1	SAR_Appendix A Photographs	515
15.2	SAR_Appendix B DAE & Probe Cal. Certificate	515
15.3	SAR_Appendix C Phantom Description & Dipole Cal. Certificate	515

Unless otherwise stated the results shown in this test report refer only to the sample(s) tested and such sample(s) are retained for 90 days only.
 除非另有說明，此報告結果僅對測試之樣品負責，同時此樣品僅保留90天。本報告未經本公司書面許可，不可部份複製。

This document is issued by the Company subject to its General Conditions of Service printed overleaf, available on request or accessible at <http://www.sgs.com.tw/Terms-and-Conditions> and for electronic format documents, subject to Terms and Conditions for Electronic Documents at <http://www.sgs.com.tw/Terms-and-Conditions>. Attention is drawn to the limitation of liability, indemnification and jurisdiction issues defined therein. Any holder of this document is advised that information contained hereon reflects the Company's findings at the time of its intervention only and within the limits of Client's instructions, if any. The Company's sole responsibility is to its Client and this document does not exonerate parties to a transaction from exercising all their rights and obligations under the transaction documents. This document cannot be reproduced except in full, without prior written approval of the Company. Any unauthorized alteration, forgery or falsification of the content or appearance of this document is unlawful and offenders may be prosecuted to the fullest extent of the law.

1 GENERAL INFORMATION

1.1 Test Methodology

The SAR testing method and procedure for this device is in accordance with the following standards:

IEEE/ANSI C95.1-1992

IEEE 1528-2013

KDB447498D01v06

KDB865664D01v01r04

KDB865664D02v01r02

KDB616217D04v01r02

KDB941225D01v03r01

KDB941225D05v02r05

KDB941225D05Av01r02

KDB248227D01v02r01

IEC/IEEE 62209-1528:2020

SPEAG DASY6 System Handbook

SPEAG DASY6 Application Note (Interim Procedure for Device Operation at 6GHz-10GHz)

IEC TR 63170:2018

IEC 62479:2010

Unless otherwise stated the results shown in this test report refer only to the sample(s) tested and such sample(s) are retained for 90 days only.

除非另有說明，此報告結果僅對測試之樣品負責，同時此樣品僅保留90天。本報告未經本公司書面許可，不可部份複製。

This document is issued by the Company subject to its General Conditions of Service printed overleaf, available on request or accessible at <http://www.sgs.com.tw/Terms-and-Conditions> and for electronic format documents, subject to Terms and Conditions for Electronic Documents at <http://www.sgs.com.tw/Terms-and-Conditions>. Attention is drawn to the limitation of liability, indemnification and jurisdiction issues defined therein. Any holder of this document is advised that information contained hereon reflects the Company's findings at the time of its intervention only and within the limits of Client's instructions, if any. The Company's sole responsibility is to its Client and this document does not exonerate parties to a transaction from exercising all their rights and obligations under the transaction documents. This document cannot be reproduced except in full, without prior written approval of the Company. Any unauthorized alteration, forgery or falsification of the content or appearance of this document is unlawful and offenders may be prosecuted to the fullest extent of the law.

1.2 Description of EUT

Product Name	Notebook PC	
Brand Name	HP	
Model No.	R2022	
FCC ID	B94R2022GPKV	
Integrated Module	WWAN	Brand Name : Fibocom Model Name : FM350-GL
	WLAN	Brand Name : Intel Model Name : AX211D2W
Mode	HSDPA HSUPA HSPA+ DC-HSDPA LTE: QPSK, 16QAM, 64QAM, 256QAM 5G NR: DFT-s-OFDM/CP-OFDM, Pi/2 BPSK/QPSK/16QAM/64QAM/256QAM WLAN: 802.11a/b/g/n/ac/ax HT20/HT40/VHT20/VHT40/VHT80/VHT160/HE20/HE40/HE 80/HE160 Bluetooth BR/EDR/LE	
Duty Cycle	WCDMA	1
	LTE FDD	1
	LTE TDD Power Class 3	0.633
	5G NR	1
	WLAN802.11	Refer to page 200~201
	Bluetooth	77.0%
Supported Radios (TX frequency Range, MHz)	WCDMA Band II	1850-1910
	WCDMA Band IV	1710-1755
	WCDMA Band V	824-849
	LTE FDD Band 2	1850-1910
	LTE FDD Band 4	1710-1755
	LTE FDD Band 5	824-849
	LTE FDD Band 7	2500-2570

Unless otherwise stated the results shown in this test report refer only to the sample(s) tested and such sample(s) are retained for 90 days only.

除非另有說明，此報告結果僅對測試之樣品負責，同時此樣品僅保留90天。本報告未經本公司書面許可，不可部份複製。

This document is issued by the Company subject to its General Conditions of Service printed overleaf, available on request or accessible at <http://www.sgs.com.tw/Terms-and-Conditions> and for electronic format documents, subject to Terms and Conditions for Electronic Documents at <http://www.sgs.com.tw/Terms-and-Conditions>. Attention is drawn to the limitation of liability, indemnification and jurisdiction issues defined therein. Any holder of this document is advised that information contained herein reflects the Company's findings at the time of its intervention only and within the limits of Client's instructions, if any. The Company's sole responsibility is to its Client and this document does not exonerate parties to a transaction from exercising all their rights and obligations under the transaction documents. This document cannot be reproduced except in full, without prior written approval of the Company. Any unauthorized alteration, forgery or falsification of the content or appearance of this document is unlawful and offenders may be prosecuted to the fullest extent of the law.

Supported Radios (TX frequency Range, MHz)	LTE FDD Band 12	699-716
	LTE FDD Band 13	777-787
	LTE FDD Band 17	704-716
	LTE FDD Band 25	1850-1915
	LTE FDD Band 26	814-849
	LTE FDD Band 30	2305-2315
	LTE TDD Band 38	2570-2620
	LTE TDD Band 41	2496-2690
	LTE TDD Band 48	3550-3700
	LTE FDD Band 66	1710-1780
	LTE FDD Band 71	663-698
	n2	1850-1910
	n5	824-849
	n7	2500-2570
	n25	1850-1915
	n30	2305-2315
	n38	2570-2620
	n41	2496-2690
	n66	1710-1780
	n77	3700-3980
	n78	3300-3800
802.11 b/g/n/ax	2.4GHz (2400.0 – 2483.5 MHz)	
802.11a/n/ac/ax	5.2GHz (5150.0 – 5250.0 MHz)	
	5.3GHz (5250.0 – 5350.0 MHz)	
	5.6GHz (5470.0 – 5725.0 MHz)	
	5.8GHz (5725.0 – 5850.0 MHz)	
Bluetooth 5.2	2.4GHz (2400.0 – 2483.5 MHz)	
802.11ax	6.0GHz (5925.0-7125.0MHz)	

Unless otherwise stated the results shown in this test report refer only to the sample(s) tested and such sample(s) are retained for 90 days only.

除非另有說明，此報告結果僅對測試之樣品負責，同時此樣品僅保留90天。本報告未經本公司書面許可，不可部份複製。

This document is issued by the Company subject to its General Conditions of Service printed overleaf, available on request or accessible at <http://www.sgs.com.tw/Terms-and-Conditions> and for electronic format documents, subject to Terms and Conditions for Electronic Documents at <http://www.sgs.com.tw/Terms-and-Conditions>. Attention is drawn to the limitation of liability, indemnification and jurisdiction issues defined therein. Any holder of this document is advised that information contained herein reflects the Company's findings at the time of its intervention only and within the limits of Client's instructions, if any. The Company's sole responsibility is to its Client and this document does not exonerate parties to a transaction from exercising all their rights and obligations under the transaction documents. This document cannot be reproduced except in full, without prior written approval of the Company. Any unauthorized alteration, forgery or falsification of the content or appearance of this document is unlawful and offenders may be prosecuted to the fullest extent of the law.

1.3 Maximum value

Max. SAR (1 g) (Unit: W/Kg)				
Band	Measured	Reported	Channel	Position
WCDMA Band II	0.86	1.02	9538	Bottom Surface
WCDMA Band IV	0.78	0.86	1513	Bottom Surface
WCDMA Band V	0.60	0.70	4132	Bottom Surface
LTE Band 2	0.79	1.02	19100	Bottom Surface
LTE Band 4	0.86	0.95	20175	Bottom Surface
LTE Band 5	0.67	0.71	20450	Bottom Surface
LTE Band 7	1.14	1.18	21350	Bottom Surface
LTE Band 12	0.93	0.94	23060	Bottom Surface
LTE Band 13	0.82	0.85	23230	Bottom Surface
LTE Band 14	0.82	0.82	23330	Bottom Surface
LTE Band 17	0.91	0.92	23800	Bottom Surface
LTE Band 25	0.85	1.09	26590	Bottom Surface
LTE Band 26 FCC	0.71	0.73	26965	Bottom Surface
LTE Band 30	0.91	1.05	27710	Bottom Surface
LTE Band 66	0.81	0.96	132572	Bottom Surface
LTE Band 71	0.97	0.99	133297	Bottom Surface
LTE Band 38	0.93	1.01	38150	Bottom Surface
LTE Band 41	1.04	1.08	39750	Bottom Surface
LTE Band 48	0.70	0.83	55830	Bottom Surface
NR n2	1.14	1.17	376000	Bottom Surface
NR n5	0.66	0.76	167800	Bottom Surface
NR n7	0.74	0.93	512000	Bottom Surface
NR n25	0.58	0.78	381000	Bottom Surface
NR n30	0.87	1.15	462000	Bottom Surface
NR n66	0.90	1.01	354000	Bottom Surface
NR n71	0.65	0.68	134600	Bottom Surface
NR n38	0.90	0.95	519000	Bottom Surface
NR n41	1.02	1.07	528000	Bottom Surface
NR n77 FCC	0.91	1.00	653000	Bottom Surface
NR n77 & n78 FCC	0.55	0.61	633333	Bottom Surface
NR n78 FCC	0.74	0.82	650000	Bottom Surface

Summary of Maximum SAR and Power Density Value			
Mode	Highest SAR1g Body (W/kg)	Highest APD (W/m ²)	Highest PD (W/m ²)
Bluetooth(GFSK)	0.03	N/A	N/A
2.4G WLAN	0.43	N/A	N/A
5G WLAN	1.17	N/A	N/A
6E WLAN	0.29	2.53	5.37

Unless otherwise stated the results shown in this test report refer only to the sample(s) tested and such sample(s) are retained for 90 days only.

除非另有說明，此報告結果僅對測試之樣品負責，同時此樣品僅保留90天。本報告未經本公司書面許可，不可部份複製。

This document is issued by the Company subject to its General Conditions of Service printed overleaf, available on request or accessible at <http://www.sgs.com.tw/Terms-and-Conditions> and for electronic format documents, subject to Terms and Conditions for Electronic Documents at <http://www.sgs.com.tw/Terms-and-Conditions>. Attention is drawn to the limitation of liability, indemnification and jurisdiction issues defined therein. Any holder of this document is advised that information contained hereon reflects the Company's findings at the time of its intervention only and within the limits of Client's instructions, if any. The Company's sole responsibility is to its Client and this document does not exonerate parties to a transaction from exercising all their rights and obligations under the transaction documents. This document cannot be reproduced except in full, without prior written approval of the Company. Any unauthorized alteration, forgery or falsification of the content or appearance of this document is unlawful and offenders may be prosecuted to the fullest extent of the law.

**Antenna information:
WWAN**

Laptop mode WWAN																		
WNC																		
Ant5 TXRX																		
DNQTA274R00 (81ELA215.G49)																		
Part Number	WCDMA Band 4 (1825.4-1970.6)	WCDMA Band IV (1712.4-1752.6)	WCDMA Band V (825.4-846.6)	LTE Band 2 (1860-1900)	LTE Band 4 (1720-1745)	LTE Band 5 (825-844)	LTE Band 7 (2510-2560)	LTE Band 12 (704-711)	LTE Band 13 (782)	LTE Band 14 (793)	LTE Band 17 (709-711)	LTE Band 25 (1860-1905)	LTE Band 26 (821.5-841.5)	LTE Band 30 (2310)	LTE Band 36 (1720-1770)	LTE Band 66 (873-888)	LTE Band 38 (2580-2610)	LTE Band 41 (2500-2680)
Gain (dBi)	0.21	0.05	-0.64	0.21	0.05	-0.64	-2.98	0.44	-0.46	0.61	0.49	0.54	-0.70	-1.37	-0.63	-0.55	-2.33	-2.86
Vendor																		
Antenna																		
Ant5 TXRX																		
DNQTA274R00 (81ELA215.G49)																		
Part Number	n2 (1860-1900)	n5 (834-839)	n7 (2510-2560)	n25 (1860-1905)	n30 (2310)	n66 (1720-1770)	n71 (673-688)	n38 (2580-2610)	n41 (2546.01-2640)	n77 (3750-3930)	n77+78 (3499.995)	n78 (3750)						
Gain (dBi)	0.21	-0.64	-2.98	0.54	-1.37	-0.63	-0.55	-2.33	-2.86	-2.16	-2.16	-2.38						
Laptop mode WWAN																		
WNC																		
Ant5 TXRX																		
DNQTA274R00 (81ELA215.G49)																		
Part Number	LTE Band 2 (1860-1900)	LTE Band 4 (1720-1745)	LTE Band 7 (2510-2560)	LTE Band 25 (1860-1905)	LTE Band 30 (2310)	LTE Band 66 (1720-1770)	LTE Band 41 (2506-2680)	LTE Band 48 (3560-3690)	n2 (1860-1900)	n66 (1720-1770)	n41 (2546.01-2640)	n77 (3750-3930)	n77+78 (3499.995)	n78 (3750)				
Gain (dBi)	0.21	0.05	-2.98	0.54	-1.37	-0.63	-2.86	1.54	-0.97	0.40	-2.34	1.10	-0.18	-0.18				

WLAN

Laptop mode WLAN																		
WNC																		
Ant 2																		
DQ6215G5300 (81ELA215.G53)																		
Part Number											DQ6215G5300 (81ELA215.G53)							
Frequency (MHz)	2400-2500	5150-5250	5250-5350	5470-5725	5725-5850	5925-6425	6425-6525	6525-6875	6875-7125	2400-2500	5150-5250	5250-5350	5470-5725	5725-5850	5925-6425	6425-6525	6525-6875	6875-7125
Gain (dBi)	2.32	0.81	0.81	0.92	0.94	1.59	2.17	2.17	2.07	2.09	2.52	2.52	2.79	2.00	2.36	1.61	1.89	1.57

Note: Antenna information is provided by the applicant.

Unless otherwise stated the results shown in this test report refer only to the sample(s) tested and such sample(s) are retained for 90 days only.

除非另有說明，此報告結果僅對測試之樣品負責，同時此樣品僅保留90天。本報告未經本公司書面許可，不可部份複製。

This document is issued by the Company subject to its General Conditions of Service printed overleaf, available on request or accessible at <http://www.sgs.com.tw/Terms-and-Conditions> and for electronic format documents, subject to Terms and Conditions for Electronic Documents at <http://www.sgs.com.tw/Terms-and-Conditions>. Attention is drawn to the limitation of liability, indemnification and jurisdiction issues defined therein. Any holder of this document is advised that information contained hereon reflects the Company's findings at the time of its intervention only and within the limits of Client's instructions, if any. The Company's sole responsibility is to its Client and this document does not exonerate parties to a transaction from exercising all their rights and obligations under the transaction documents. This document cannot be reproduced except in full, without prior written approval of the Company. Any unauthorized alteration, forgery or falsification of the content or appearance of this document is unlawful and offenders may be prosecuted to the fullest extent of the law.

2 MEASUREMENT SYSTEM

2.1 Test Facility

Laboratory	Test Site Address	Test Site Name	FCC Designation number	IC CAB identifier
SGS Taiwan Ltd. Central RF Lab. (TAF code 3702)	1F, No. 8, Alley 15, Lane 120, Sec. 1, NeiHu Road, NeiHu District, Taipei City, 11493, Taiwan.	SAR 2	TW0029	TW3702
		SAR 6		
	No. 2, Keji 1st Rd., Guishan Township, Taoyuan County, 33383, Taiwan	SAR 1	TW0028	
		SAR 4		
	No.134, Wu Kung Road, New Taipei Industrial Park, Wuku District, New Taipei City, Taiwan	SAR 3	TW0027	
		SAR 7		

Note: Test site name is remarked on the equipment list in each section of this report as an indication where measurements occurred in specific test site and address.

Unless otherwise stated the results shown in this test report refer only to the sample(s) tested and such sample(s) are retained for 90 days only.

除非另有說明，此報告結果僅對測試之樣品負責，同時此樣品僅保留90天。本報告未經本公司書面許可，不可部份複製。

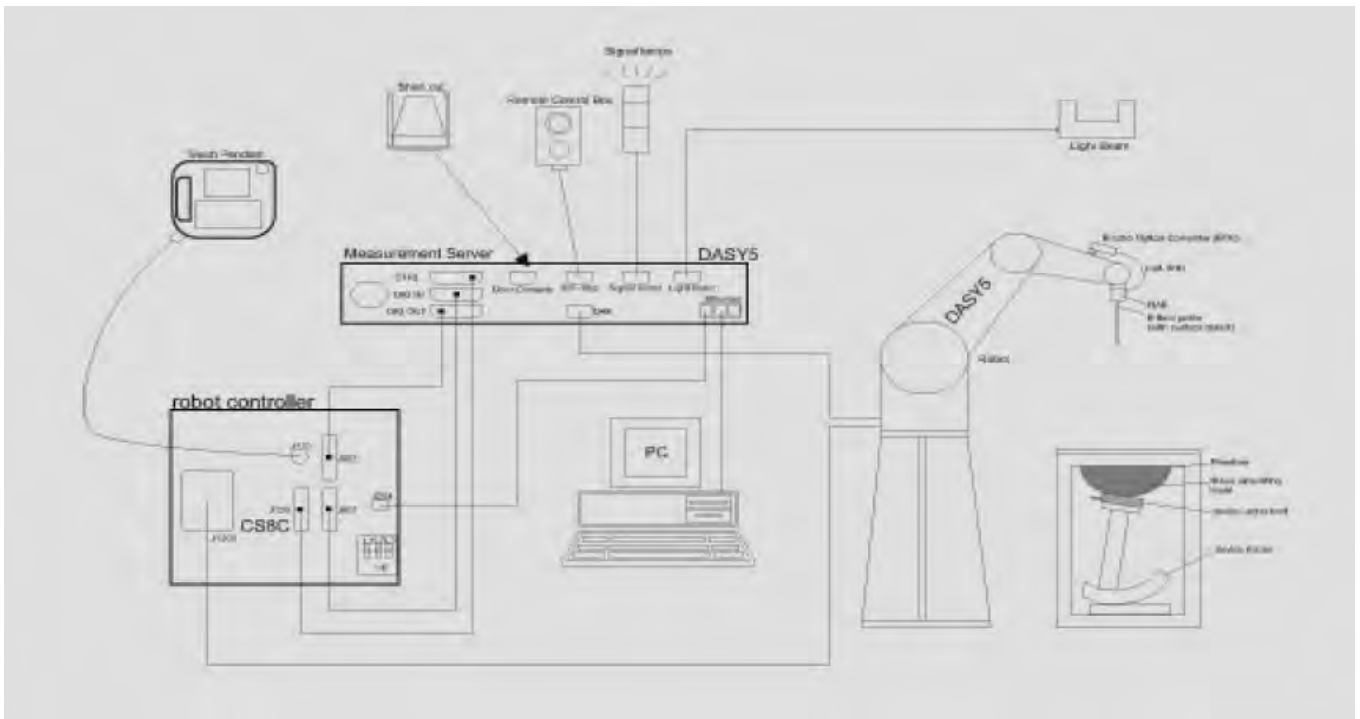
This document is issued by the Company subject to its General Conditions of Service printed overleaf, available on request or accessible at <http://www.sgs.com.tw/Terms-and-Conditions> and for electronic format documents, subject to Terms and Conditions for Electronic Documents at <http://www.sgs.com.tw/Terms-and-Conditions>. Attention is drawn to the limitation of liability, indemnification and jurisdiction issues defined therein. Any holder of this document is advised that information contained hereon reflects the Company's findings at the time of its intervention only and within the limits of Client's instructions, if any. The Company's sole responsibility is to its Client and this document does not exonerate parties to a transaction from exercising all their rights and obligations under the transaction documents. This document cannot be reproduced except in full, without prior written approval of the Company. Any unauthorized alteration, forgery or falsification of the content or appearance of this document is unlawful and offenders may be prosecuted to the fullest extent of the law.

SGS Taiwan Ltd. | No.134,Wu Kung Road, New Taipei Industrial Park, Wuku District, New Taipei City, Taiwan/新北市五股區新北產業園區五工路 134 號

2.2 SAR System

Block Diagram (DASY5)

A block diagram of the SAR measurement System is given in below. This SAR measurement system uses a computer-controlled 3-D stepper motor system (SPEAG DASY 5 professional system). The model EX3DV4 field probe is used to determine the internal electric fields. The SAR can be obtained from the equation $SAR = \sigma (|E|^2) / \rho$ where σ and ρ are the conductivity and mass density of the tissue-simulant.



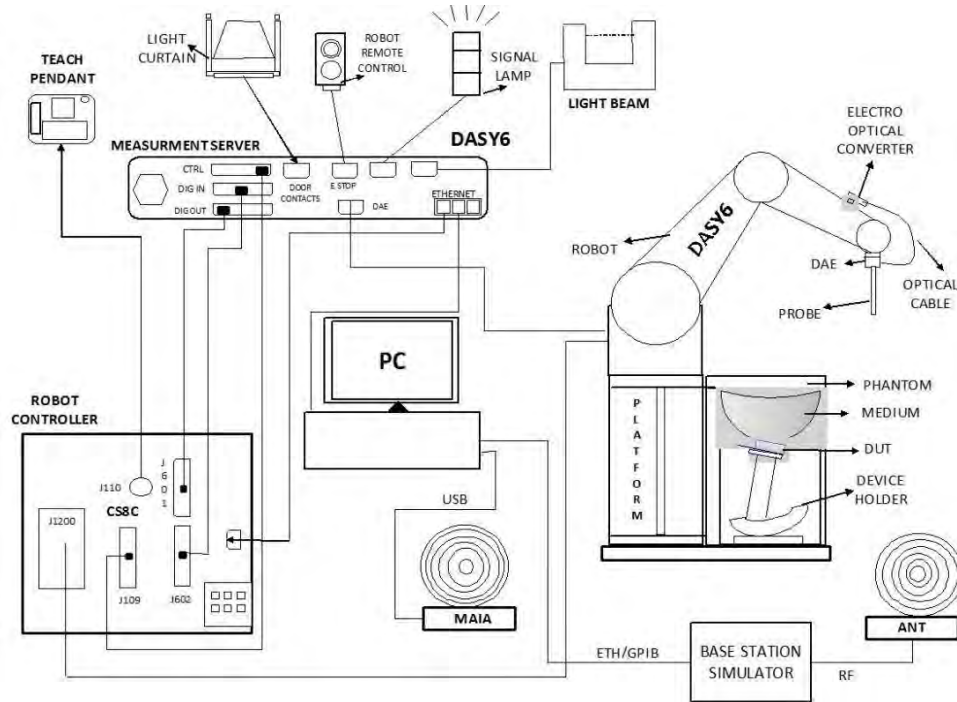
Unless otherwise stated the results shown in this test report refer only to the sample(s) tested and such sample(s) are retained for 90 days only.

除非另有說明，此報告結果僅對測試之樣品負責，同時此樣品僅保留90天。本報告未經本公司書面許可，不可部份複製。

This document is issued by the Company subject to its General Conditions of Service printed overleaf, available on request or accessible at <http://www.sgs.com.tw/Terms-and-Conditions> and for electronic format documents, subject to Terms and Conditions for Electronic Documents at <http://www.sgs.com.tw/Terms-and-Conditions>. Attention is drawn to the limitation of liability, indemnification and jurisdiction issues defined therein. Any holder of this document is advised that information contained hereon reflects the Company's findings at the time of its intervention only and within the limits of Client's instructions, if any. The Company's sole responsibility is to its Client and this document does not exonerate parties to a transaction from exercising all their rights and obligations under the transaction documents. This document cannot be reproduced except in full, without prior written approval of the Company. Any unauthorized alteration, forgery or falsification of the content or appearance of this document is unlawful and offenders may be prosecuted to the fullest extent of the law.

Block Diagram (DASY6)

The DASY system used for performing compliance tests consists of the following items:




- A standard high precision 6-axis robot with controller, teach pendant and software. An arm extension for accommodating the data acquisition electronics (DAE).
- An isotropic field probe optimized and calibrated for the targeted measurement.
- A data acquisition electronics (DAE) which performs the signal amplification, signal multiplexing, AD-conversion, offset measurements, mechanical surface detection, collision detection, etc. The unit is battery powered with standard or rechargeable batteries. The signal is optically transmitted to the EOC.
- The Electro-optical converter (EOC) performs the conversion from optical to electrical signals for the digital communication to the DAE. To use optical surface detection, a special version of the EOC is required. The EOC signal is transmitted to the measurement server.
- The function of the measurement server is to perform the time critical tasks such as signal filtering, control of the robot operation and fast movement interrupts.
- The Light Beam used is for probe alignment. This improves the (absolute) accuracy of the probe positioning.
- A computer running Windows 10 and the DASY6 software.
- Remote control and teach pendant as well as additional circuitry for robot safety such as warning lamps, etc.
- The phantom, the device holder and other accessories according to the targeted measurement.

Unless otherwise stated the results shown in this test report refer only to the sample(s) tested and such sample(s) are retained for 90 days only.

除非另有說明，此報告結果僅對測試之樣品負責，同時此樣品僅保留90天。本報告未經本公司書面許可，不可部份複製。

This document is issued by the Company subject to its General Conditions of Service printed overleaf, available on request or accessible at <http://www.sgs.com.tw/Terms-and-Conditions> and for electronic format documents, subject to Terms and Conditions for Electronic Documents at <http://www.sgs.com.tw/Terms-and-Conditions>. Attention is drawn to the limitation of liability, indemnification and jurisdiction issues defined therein. Any holder of this document is advised that information contained hereon reflects the Company's findings at the time of its intervention only and within the limits of Client's instructions, if any. The Company's sole responsibility is to its Client and this document does not exonerate parties to a transaction from exercising all their rights and obligations under the transaction documents. This document cannot be reproduced except in full, without prior written approval of the Company. Any unauthorized alteration, forgery or falsification of the content or appearance of this document is unlawful and offenders may be prosecuted to the fullest extent of the law.

EX3DV4 E-Field Probe

Construction	Symmetrical design with triangular core Built-in shielding against static charges PEEK enclosure material (resistant to organic solvents, e.g., DGBE)	
Calibration	Basic Broad Band Calibration in air Conversion Factors (CF) for HSL 750/835/1750/1900/2300/2450/2600/3500/ 3700/3900/5250/5600/5750/6500/7000 MHz Additional CF for other liquids and frequencies upon request	
Frequency	10 MHz to > 6 GHz	
Directivity	± 0.3 dB in HSL (rotation around probe axis) ± 0.5 dB in tissue material (rotation normal to probe axis)	
Dynamic Range	10 µW/g to > 100 mW/g Linearity: ± 0.2 dB (noise: typically < 1 µW/g)	
Dimensions	Tip diameter: 2.5 mm	
Application	High precision dosimetric measurements in any exposure scenario (e.g., very strong gradient fields). Only probe which enables compliance testing for frequencies up to 6 GHz with precision of better 30%.	

Unless otherwise stated the results shown in this test report refer only to the sample(s) tested and such sample(s) are retained for 90 days only.

除非另有說明，此報告結果僅對測試之樣品負責，同時此樣品僅保留90天。本報告未經本公司書面許可，不可部份複製。

This document is issued by the Company subject to its General Conditions of Service printed overleaf, available on request or accessible at <http://www.sgs.com.tw/Terms-and-Conditions> and for electronic format documents, subject to Terms and Conditions for Electronic Documents at <http://www.sgs.com.tw/Terms-and-Conditions>. Attention is drawn to the limitation of liability, indemnification and jurisdiction issues defined therein. Any holder of this document is advised that information contained hereon reflects the Company's findings at the time of its intervention only and within the limits of Client's instructions, if any. The Company's sole responsibility is to its Client and this document does not exonerate parties to a transaction from exercising all their rights and obligations under the transaction documents. This document cannot be reproduced except in full, without prior written approval of the Company. Any unauthorized alteration, forgery or falsification of the content or appearance of this document is unlawful and offenders may be prosecuted to the fullest extent of the law.

SGS Taiwan Ltd.

No.134,Wu Kung Road, New Taipei Industrial Park, Wuku District, New Taipei City, Taiwan/新北市五股區新北產業園區五工路 134 號

台灣檢驗科技股份有限公司


t (886-2) 2299-3279

f (886-2) 2298-0488


www.sgs.com.tw

Member of SGS Group

PHANTOM (ELI)

Model	ELI	
Construction	The ELI phantom is used for compliance testing of handheld and body-mounted wireless devices in the frequency range of 30 MHz to 6 GHz. ELI is fully compatible with the IEC 62209-2 standard and all known tissue simulating liquids. ELI has been optimized regarding its performance and can be integrated into our standard phantom tables. A cover prevents evaporation of the liquid. Reference markings on the phantom allow installation of the complete setup, including all predefined phantom positions and measurement grids, by teaching three points. The phantom is compatible with all SPEAG dosimetric probes and dipoles.	
Shell Thickness	2 ± 0.2 mm	
Filling Volume	Approx. 30 liters	
Dimensions	Major axis: 600 mm Minor axis: 400 mm	

DEVICE HOLDER (ELI)

Construction	The device holder (Supporter) for Notebook is made by POM (polyoxymethylene resin) , which is non-metal and non-conductive. The height can be adjusted to fit varies kind of notebooks.	
		Device Holder

Unless otherwise stated the results shown in this test report refer only to the sample(s) tested and such sample(s) are retained for 90 days only.

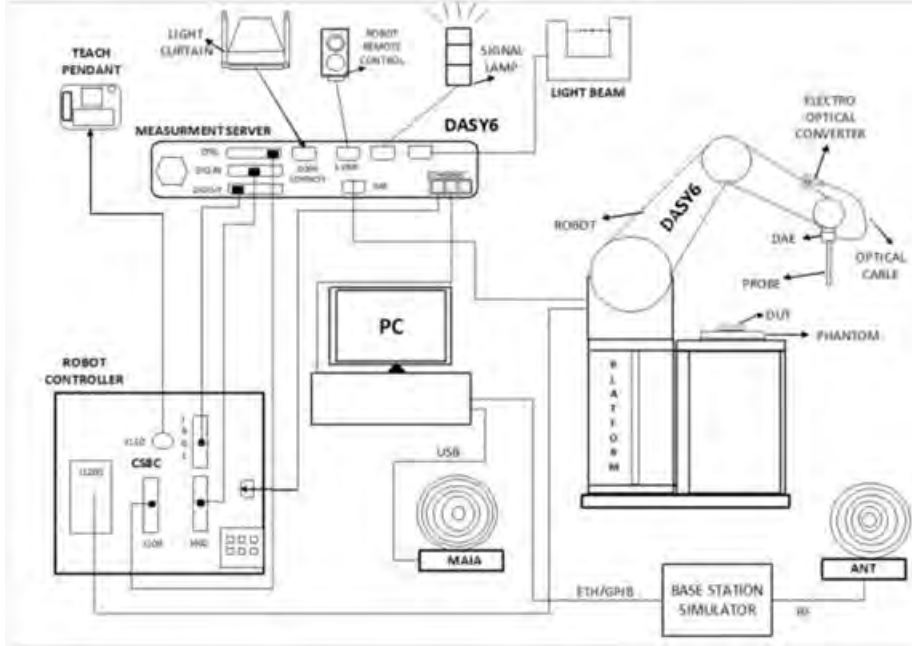
除非另有說明，此報告結果僅對測試之樣品負責，同時此樣品僅保留90天。本報告未經本公司書面許可，不可部份複製。

This document is issued by the Company subject to its General Conditions of Service printed overleaf, available on request or accessible at <http://www.sgs.com.tw/Terms-and-Conditions> and for electronic format documents, subject to Terms and Conditions for Electronic Documents at <http://www.sgs.com.tw/Terms-and-Conditions>. Attention is drawn to the limitation of liability, indemnification and jurisdiction issues defined therein. Any holder of this document is advised that information contained hereon reflects the Company's findings at the time of its intervention only and within the limits of Client's instructions, if any. The Company's sole responsibility is to its Client and this document does not exonerate parties to a transaction from exercising all their rights and obligations under the transaction documents. This document cannot be reproduced except in full, without prior written approval of the Company. Any unauthorized alteration, forgery or falsification of the content or appearance of this document is unlawful and offenders may be prosecuted to the fullest extent of the law.

2.3 PD system

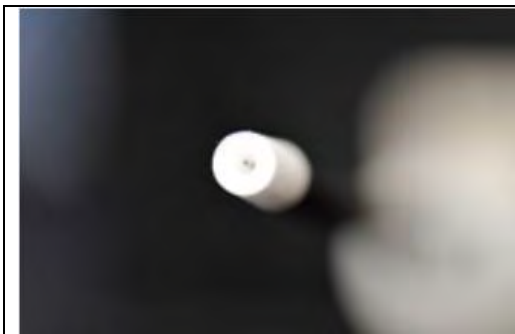
Block Diagram (DASY6)

Power density measurements for mmWave frequencies were performed using SPEAG DASY6 with cDASY6 5G module. The DASY6 included a high precision robotics system (Staubli), robot controller, desktop computer, near-field probe, probe alignment sensor, and the 5G phantom cover.



EUmmWVx probe

The EUmmWVx probe is based on the pseudo-vector probe design, which not only measures the field magnitude but also derives its polarization ellipse. The design entails two small 0.8mm dipole sensors mechanically protected by high-density foam, printed on both sides of a 0.9mm wide and 0.12mm thick glass substrate. The body of the probe is specifically constructed to minimize distortion by the scattered fields. The probe consist of two sensors with different angles (1 and 2) arranged in the same plane in the probe axis. Three or more measurements of the two sensors are taken for different probe rotational angles to derive the amplitude and polarization information. The probe design allows measurements at distances as small as 2mm from the sensors to the surface of the device under test (DUT). The typical sensor to probe tip distance is 1.5 mm. The exact distance is calibrated.



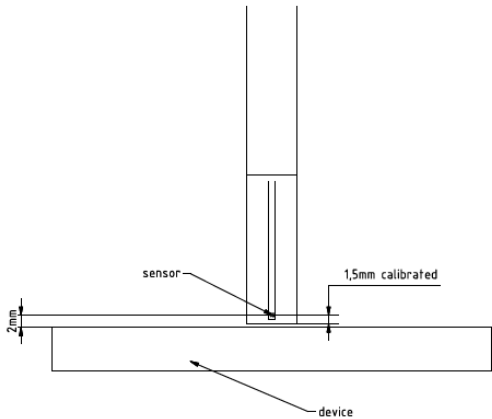
Two dipoles optimally arranged to obtain pseudo-vector information. Minimum 3 measurements/ point, 120° rotated around probe axis. Sensors (0.8mm length) printed on glass substrate protected by high density foam. Low perturbation of the measured field. Requires positioner which can do accurate probe rotation.

Unless otherwise stated the results shown in this test report refer only to the sample(s) tested and such sample(s) are retained for 90 days only.

除非另有說明，此報告結果僅對測試之樣品負責，同時此樣品僅保留90天。本報告未經本公司書面許可，不可部份複製。

This document is issued by the Company subject to its General Conditions of Service printed overleaf, available on request or accessible at <http://www.sgs.com.tw/Terms-and-Conditions> and for electronic format documents, subject to Terms and Conditions for Electronic Documents at <http://www.sgs.com.tw/Terms-and-Conditions>. Attention is drawn to the limitation of liability, indemnification and jurisdiction issues defined therein. Any holder of this document is advised that information contained herein reflects the Company's findings at the time of its intervention only and within the limits of Client's instructions, if any. The Company's sole responsibility is to its Client and this document does not exonerate parties to a transaction from exercising all their rights and obligations under the transaction documents. This document cannot be reproduced except in full, without prior written approval of the Company. Any unauthorized alteration, forgery or falsification of the content or appearance of this document is unlawful and offenders may be prosecuted to the fullest extent of the law.

Frequency Range	750 MHz – 110 GHz
Dynamic Range	< 20 V/m – 10,000 V/m with PRE-10 (min < 50 V/m - 3000 V/m)
Position Precision	< 0.2 mm (DASY6)
Dimensions	Overall length: 337 mm (tip: 20 mm) Tip diameter: encapsulation 8 mm (internal sensor < 1mm) Distance from probe tip to dipole centers: < 2 mm. Sensor displacement to probe's calibration point: < 0.3 mm
Applications	E-field measurements of 5G devices and other mm-wave transmitters operating above 10GHz in < 2 mm distance from device (free-space). Power density, H-field and far-field analysis using total field reconstruction (cDASY6 5G module required)
Compatibility	cDASY6 + 5G-Module SW1.0 and higher



mmWave Phantom

The mmWave Phantom approximates free-space conditions, allowing for the evaluation of the antenna side of the device and the front (screen) side or any opposite-radiating side of wireless devices operating above 10 GHz without distorting the RF field. It consists of a 40mm thick Rohacell plate used as a test bed, which has a loss tangent ($\tan \delta$) ≤ 0.05 and a relative permittivity (ϵ_r) ≤ 1.2 . High-performance RF absorbers are placed below the foam.

Unless otherwise stated the results shown in this test report refer only to the sample(s) tested and such sample(s) are retained for 90 days only.

除非另有說明，此報告結果僅對測試之樣品負責，同時此樣品僅保留90天。本報告未經本公司書面許可，不可部份複製。

This document is issued by the Company subject to its General Conditions of Service printed overleaf, available on request or accessible at <http://www.sgs.com.tw/Terms-and-Conditions> and for electronic format documents, subject to Terms and Conditions for Electronic Documents at <http://www.sgs.com.tw/Terms-and-Conditions>. Attention is drawn to the limitation of liability, indemnification and jurisdiction issues defined therein. Any holder of this document is advised that information contained hereon reflects the Company's findings at the time of its intervention only and within the limits of Client's instructions, if any. The Company's sole responsibility is to its Client and this document does not exonerate parties to a transaction from exercising all their rights and obligations under the transaction documents. This document cannot be reproduced except in full, without prior written approval of the Company. Any unauthorized alteration, forgery or falsification of the content or appearance of this document is unlawful and offenders may be prosecuted to the fullest extent of the law.

3 SAR SYSTEM VERIFICATION

3.1 Tissue Simulating Liquid

For the measurement of the field distribution inside the SAM phantom with DASY, the phantom must be filled with homogeneous tissue simulating liquid. For head SAR testing, the liquid height from the ear reference point (ERP) of the phantom to the liquid top surface is larger than 15cm. For body SAR testing, the liquid height from the center of the flat phantom to the liquid top surface is larger than 15cm.

3.2 Tissue Simulant Liquid measurement

The dielectric properties for this Head-simulant fluid were measured by using the SPEAG Dielectric Assessment Kit (DAKS-3.5)

All dielectric parameters of tissue simulates were measured within 24 hours of SAR measurements. The measured conductivity and permittivity are all within $\pm 5\%$ of the target values.

Unless otherwise stated the results shown in this test report refer only to the sample(s) tested and such sample(s) are retained for 90 days only.
除非另有說明，此報告結果僅對測試之樣品負責，同時此樣品僅保留90天。本報告未經本公司書面許可，不可部份複製。

This document is issued by the Company subject to its General Conditions of Service printed overleaf, available on request or accessible at <http://www.sgs.com.tw/Terms-and-Conditions> and for electronic format documents, subject to Terms and Conditions for Electronic Documents at <http://www.sgs.com.tw/Terms-and-Conditions>. Attention is drawn to the limitation of liability, indemnification and jurisdiction issues defined therein. Any holder of this document is advised that information contained hereon reflects the Company's findings at the time of its intervention only and within the limits of Client's instructions, if any. The Company's sole responsibility is to its Client and this document does not exonerate parties to a transaction from exercising all their rights and obligations under the transaction documents. This document cannot be reproduced except in full, without prior written approval of the Company. Any unauthorized alteration, forgery or falsification of the content or appearance of this document is unlawful and offenders may be prosecuted to the fullest extent of the law.

3.3 Measurement results of Tissue Simulant Liquid

WWAN

Tissue Type	Measurement Date	Measured Frequency (MHz)	Target Dielectric Constant, ϵ_r	Target Conductivity, σ (S/m)	Measured Dielectric Constant, ϵ_r	Measured Conductivity, σ (S/m)	% dev ϵ_r	% dev σ
Head	Jul, 28. 2022	673	42.311	0.885	43.000	0.902	1.63%	1.94%
		680.5	42.271	0.885	43.000	0.903	1.73%	1.99%
		688	42.231	0.886	43.001	0.904	1.82%	2.05%
		704	42.145	0.887	42.896	0.905	1.78%	2.06%
		707.5	42.127	0.887	42.875	0.906	1.78%	2.11%
		709	42.119	0.887	42.870	0.906	1.78%	2.11%
		711	42.108	0.887	42.859	0.906	1.78%	2.13%
		750	41.900	0.890	42.657	0.909	1.81%	2.19%
		782	41.749	0.894	42.490	0.914	1.77%	2.21%
		793	41.698	0.895	42.433	0.914	1.76%	2.14%
		821.5	41.564	0.898	42.317	0.924	1.81%	2.83%
		826.4	41.540	0.899	42.302	0.925	1.83%	2.94%
		829	41.528	0.899	42.291	0.927	1.84%	3.04%
		831.5	41.516	0.900	42.281	0.928	1.84%	3.14%
		834.1	41.505	0.900	42.558	0.936	2.54%	3.98%
		835	41.500	0.900	42.270	0.929	1.85%	3.22%
		836.5	41.500	0.902	42.262	0.930	1.84%	3.12%
		836.6	41.500	0.902	42.262	0.930	1.84%	3.10%
		839	41.500	0.904	42.255	0.930	1.82%	2.89%
		841.5	41.500	0.907	42.244	0.932	1.79%	2.71%
	844	41.500	0.910	42.237	0.932	1.78%	2.49%	
	846.6	41.500	0.912	42.226	0.933	1.75%	2.29%	
	1712	40.138	1.349	41.199	1.403	2.64%	3.96%	
	1720.0	40.114	1.354	40.841	1.396	1.81%	3.07%	
	1732.4	40.096	1.361	40.821	1.404	1.81%	3.11%	
	1732.5	40.096	1.361	40.821	1.404	1.81%	3.11%	
	1745	40.079	1.369	40.802	1.411	1.80%	3.11%	
	1750	40.071	1.371	40.794	1.414	1.80%	3.11%	
	1750.1	40.079	1.371	41.079	1.424	2.50%	3.84%	
	1750.2	40.079	1.371	41.079	1.424	2.50%	3.84%	
	1752.6	40.068	1.373	40.789	1.416	1.80%	3.13%	
	1770	40.043	1.383	40.762	1.426	1.80%	3.13%	
	1852	40.000	1.400	41.060	1.461	2.65%	4.36%	
	1860	40.000	1.400	40.715	1.449	1.79%	3.48%	
	1880	40.000	1.400	40.715	1.450	1.79%	3.55%	
	1882.5	40.000	1.400	40.715	1.450	1.79%	3.56%	
	1900	40.000	1.400	40.715	1.450	1.79%	3.59%	
	1905	40.000	1.400	40.715	1.450	1.79%	3.60%	
	1907.6	40.000	1.400	40.715	1.450	1.79%	3.61%	
	1720	40.114	1.354	41.186	1.408	2.67%	3.94%	
	1732.5	40.096	1.361	41.167	1.415	2.67%	3.94%	
	1745	40.079	1.369	41.147	1.423	2.67%	3.98%	
	1750	40.071	1.371	41.139	1.426	2.66%	3.99%	
	1770	40.043	1.383	41.107	1.438	2.66%	4.01%	
	1860	40.000	1.400	41.060	1.462	2.65%	4.39%	
1880	40.000	1.400	41.060	1.463	2.65%	4.47%		
1882.5	40.000	1.400	41.060	1.463	2.65%	4.48%		
1900	40.000	1.400	41.060	1.463	2.65%	4.53%		
1905	40.000	1.400	41.060	1.464	2.65%	4.54%		
1907.6	40.000	1.400	41.060	1.464	2.65%	4.54%		

Unless otherwise stated the results shown in this test report refer only to the sample(s) tested and such sample(s) are retained for 90 days only.

除非另有說明，此報告結果僅對測試之樣品負責，同時此樣品僅保留90天。本報告未經本公司書面許可，不可部份複製。

This document is issued by the Company subject to its General Conditions of Service printed overleaf, available on request or accessible at <http://www.sgs.com.tw/Terms-and-Conditions> and for electronic format documents, subject to Terms and Conditions for Electronic Documents at <http://www.sgs.com.tw/Terms-and-Conditions>. Attention is drawn to the limitation of liability, indemnification and jurisdiction issues defined therein. Any holder of this document is advised that information contained hereon reflects the Company's findings at the time of its intervention only and within the limits of Client's instructions, if any. The Company's sole responsibility is to its Client and this document does not exonerate parties to a transaction from exercising all their rights and obligations under the transaction documents. This document cannot be reproduced except in full, without prior written approval of the Company. Any unauthorized alteration, forgery or falsification of the content or appearance of this document is unlawful and offenders may be prosecuted to the fullest extent of the law.

Tissue Type	Measurement Date	Measured Frequency (MHz)	Target Dielectric Constant, ϵ_r	Target Conductivity, σ (S/m)	Measured Dielectric Constant, ϵ_r	Measured Conductivity, σ (S/m)	% dev ϵ_r	% dev σ
Head	2022/7/31 (Ant 5)	2300	39.457	1.667	40.182	1.739	1.84%	4.32%
		2310	39.440	1.676	40.164	1.748	1.84%	4.29%
		2503.5	39.133	1.857	40.131	1.934	2.55%	4.11%
		2506	39.125	1.860	39.844	1.922	1.84%	3.35%
		2510	39.120	1.864	40.124	1.939	2.57%	4.03%
		2535	39.087	1.891	40.092	1.962	2.57%	3.79%
		2527.5	39.102	1.879	40.101	1.956	2.55%	4.10%
		2546.01	39.072	1.902	39.793	1.959	1.84%	2.97%
		2549.5	39.067	1.906	39.788	1.963	1.84%	2.96%
		2560	39.053	1.917	39.775	1.972	1.85%	2.84%
		2577.5	39.038	1.939	40.037	2.002	2.56%	3.26%
		2580	39.027	1.939	39.750	1.990	1.85%	2.66%
		2592.99	39.009	1.953	39.733	2.002	1.86%	2.55%
		2593	39.009	1.953	39.733	2.002	1.86%	2.55%
		2595	39.007	1.955	39.731	2.004	1.86%	2.54%
		2600	39.000	1.960	39.724	2.009	1.86%	2.50%
		2610	38.988	1.971	39.711	2.018	1.86%	2.40%
		2636.5	38.954	2.000	39.677	2.043	1.86%	2.16%
	2640	38.950	2.004	39.673	2.046	1.86%	2.11%	
	2680	38.900	2.048	39.622	2.084	1.86%	1.75%	
	2503.5	39.133	1.857	40.193	1.935	2.71%	4.21%	
	2506	39.125	1.860	40.189	1.938	2.72%	4.22%	
	2510	39.120	1.864	40.184	1.942	2.72%	4.18%	
	2527.5	39.102	1.879	40.162	1.958	2.71%	4.20%	
	2546.01	39.072	1.902	40.138	1.975	2.73%	3.84%	
	2549.5	39.067	1.906	40.134	1.978	2.73%	3.78%	
	2560	39.053	1.917	40.120	1.988	2.73%	3.71%	
	2577.5	39.038	1.939	40.098	2.004	2.72%	3.36%	
	2580	39.027	1.939	40.095	2.007	2.74%	3.53%	
	2592.99	39.009	1.953	40.079	2.018	2.74%	3.37%	
	2593	39.009	1.953	40.078	2.019	2.74%	3.42%	
	2595	39.007	1.955	40.076	2.021	2.74%	3.40%	
	2600	39.000	1.960	40.069	2.026	2.74%	3.36%	
	2610	38.988	1.971	40.056	2.035	2.74%	3.26%	
	2637	38.954	2.000	40.022	2.061	2.74%	3.02%	
	2640	38.950	2.004	40.018	2.063	2.74%	2.96%	
	2680	38.900	2.048	39.967	2.101	2.74%	2.59%	
	3499.995	37.900	2.910	38.644	2.959	1.96%	1.69%	
	3500	37.900	2.910	38.644	2.959	1.96%	1.69%	
	3700	37.700	3.118	38.415	3.166	1.90%	1.55%	
	3750	37.650	3.170	38.643	3.240	2.64%	2.22%	
	3795	37.605	3.217	38.591	3.287	2.62%	2.19%	
	3840	37.560	3.264	38.540	3.334	2.61%	2.16%	
	3885	37.515	3.310	38.203	3.358	1.84%	1.44%	
	3900	37.500	3.326	38.186	3.374	1.83%	1.43%	
	3930	37.470	3.357	38.152	3.405	1.82%	1.41%	
	3499.995	37.900	2.910	38.990	2.983	2.88%	2.52%	
	3500	37.900	2.910	38.989	2.984	2.87%	2.55%	
3560	37.840	2.972	38.920	3.047	2.85%	2.50%		
3609	37.791	3.023	38.864	3.098	2.84%	2.47%		
3615.1	37.797	2.991	38.857	3.104	2.80%	3.79%		
3641	37.759	3.057	38.827	3.131	2.83%	2.44%		
3690	37.710	3.108	38.771	3.182	2.81%	2.41%		
3700	37.700	3.118	38.760	3.193	2.81%	2.40%		
3750	37.650	3.170	38.703	3.245	2.80%	2.37%		
3795	37.591	3.173	38.588	3.290	2.65%	3.70%		
3840	37.560	3.264	38.600	3.339	2.77%	2.31%		
3885	37.515	3.310	38.548	3.386	2.75%	2.28%		
3900	37.500	3.326	38.531	3.401	2.75%	2.27%		
3930	37.470	3.357	38.497	3.433	2.74%	2.25%		

Unless otherwise stated the results shown in this test report refer only to the sample(s) tested and such sample(s) are retained for 90 days only.

除非另有說明，此報告結果僅對測試之樣品負責，同時此樣品僅保留90天。本報告未經本公司書面許可，不可部份複製。

This document is issued by the Company subject to its General Conditions of Service printed overleaf, available on request or accessible at <http://www.sgs.com.tw/Terms-and-Conditions> and for electronic format documents, subject to Terms and Conditions for Electronic Documents at <http://www.sgs.com.tw/Terms-and-Conditions>. Attention is drawn to the limitation of liability, indemnification and jurisdiction issues defined therein. Any holder of this document is advised that information contained hereon reflects the Company's findings at the time of its intervention only and within the limits of Client's instructions, if any. The Company's sole responsibility is to its Client and this document does not exonerate parties to a transaction from exercising all their rights and obligations under the transaction documents. This document cannot be reproduced except in full, without prior written approval of the Company. Any unauthorized alteration, forgery or falsification of the content or appearance of this document is unlawful and offenders may be prosecuted to the fullest extent of the law.

WLAN

Tissue Type	Measurement Date	Measured Frequency (MHz)	Target Dielectric Constant, ϵ_r	Target Conductivity, σ (S/m)	Measured Dielectric Constant, ϵ_r	Measured Conductivity, σ (S/m)	% dev ϵ_r	% dev σ
Head	Jun, 26. 2022	2402	39.282	1.757	40.000	1.828	1.83%	4.03%
		2412	39.265	1.766	39.983	1.837	1.83%	4.01%
		2437	39.222	1.788	39.938	1.859	1.83%	3.95%
		2441	39.215	1.792	39.931	1.863	1.82%	3.95%
		2450	39.200	1.800	39.915	1.871	1.82%	3.93%
		2462	39.184	1.813	39.900	1.882	1.83%	3.80%
		2480	39.160	1.832	39.877	1.898	1.83%	3.61%
	Jun, 27. 2022	5190	36.010	4.650	36.712	4.763	1.95%	2.45%
		5210	35.990	4.670	36.689	4.784	1.94%	2.45%
		5230	35.970	4.690	36.666	4.805	1.94%	2.46%
		5250	35.950	4.710	36.644	4.826	1.93%	2.47%
		5270	35.930	4.730	36.621	4.847	1.92%	2.48%
		5290	35.910	4.750	36.598	4.868	1.92%	2.49%
		5310	35.890	4.770	36.550	4.866	1.84%	2.01%
		5530	35.605	4.997	36.324	5.121	2.02%	2.49%
		5600	35.500	5.070	36.244	5.194	2.09%	2.44%
		5610	35.490	5.080	36.232	5.204	2.09%	2.45%
		5670	35.430	5.140	35.864	5.267	1.22%	2.47%
		5690	35.410	5.160	36.141	5.288	2.06%	2.48%
		5710	35.390	5.180	36.118	5.309	2.06%	2.49%
		5750	35.350	5.220	36.072	5.351	2.04%	2.50%
		5755	35.345	5.225	36.066	5.356	2.04%	2.51%
	5775	35.325	5.245	36.044	5.377	2.03%	2.52%	
	5795	35.305	5.265	36.021	5.398	2.03%	2.52%	
	Jun, 28. 2022	6025	35.070	5.510	35.756	5.641	1.96%	2.38%
		6185	34.878	5.698	35.564	5.811	1.97%	1.97%
		6345	34.686	5.887	35.372	5.982	1.98%	1.61%
		6500	34.500	6.070	35.186	6.148	1.99%	1.29%
		6505	34.494	6.076	35.180	6.154	1.99%	1.28%
		6665	34.302	6.261	34.988	6.327	2.00%	1.05%
		6825	34.110	6.447	34.796	6.501	2.01%	0.84%
		6985	33.918	6.633	34.604	6.677	2.02%	0.66%
	7000	33.900	6.650	34.586	6.693	2.02%	0.65%	

3.4 The composition of the tissue simulating liquid:

Simulating Liquids for 600 MHz -10 GHz, Manufactured by SPEAG:

Broad-band head tissue simulating liquids	SPEAG Product	Frequency range (MHz)	Main Ingredients
	HBBL600-1000V6	600 - 10000	Water, Oil

Unless otherwise stated the results shown in this test report refer only to the sample(s) tested and such sample(s) are retained for 90 days only.

除非另有說明，此報告結果僅對測試之樣品負責，同時此樣品僅保留90天。本報告未經本公司書面許可，不可部份複製。

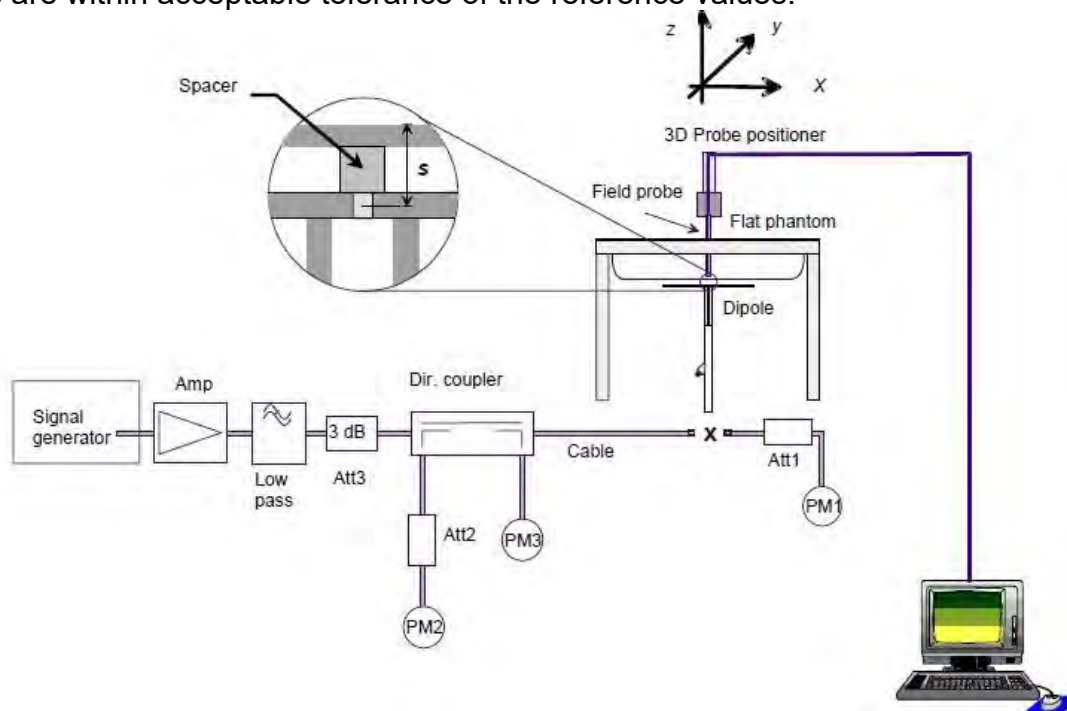
This document is issued by the Company subject to its General Conditions of Service printed overleaf, available on request or accessible at <http://www.sgs.com.tw/Terms-and-Conditions> and for electronic format documents, subject to Terms and Conditions for Electronic Documents at <http://www.sgs.com.tw/Terms-and-Conditions>. Attention is drawn to the limitation of liability, indemnification and jurisdiction issues defined therein. Any holder of this document is advised that information contained hereon reflects the Company's findings at the time of its intervention only and within the limits of Client's instructions, if any. The Company's sole responsibility is to its Client and this document does not exonerate parties to a transaction from exercising all their rights and obligations under the transaction documents. This document cannot be reproduced except in full, without prior written approval of the Company. Any unauthorized alteration, forgery or falsification of the content or appearance of this document is unlawful and offenders may be prosecuted to the fullest extent of the law.

3.5 System check

The microwave circuit arrangement for system check is sketched in below. The daily system accuracy verification occurs within the flat section of the SAM phantom and ELI phantom. A SAR measurement was performed to see if the measured SAR was within +/- 10% from the target SAR values.

The tests were conducted on the same days as the measurement of the DUT. The obtained results from the system accuracy verification are displayed with SAR values normalized to 1W forward power delivered to the dipole.

During the tests, the liquid depth from the center of the flat phantom to the liquid top surface was 15 cm above in all the cases. It is seen that the system is operating within its specification, as the results are within acceptable tolerance of the reference values.



The block diagram of system check

Unless otherwise stated the results shown in this test report refer only to the sample(s) tested and such sample(s) are retained for 90 days only.

除非另有說明，此報告結果僅對測試之樣品負責，同時此樣品僅保留90天。本報告未經本公司書面許可，不可部份複製。
This document is issued by the Company subject to its General Conditions of Service printed overleaf, available on request or accessible at <http://www.sgs.com.tw/Terms-and-Conditions> and for electronic format documents, subject to Terms and Conditions for Electronic Documents at <http://www.sgs.com.tw/Terms-and-Conditions>. Attention is drawn to the limitation of liability, indemnification and jurisdiction issues defined therein. Any holder of this document is advised that information contained hereon reflects the Company's findings at the time of its intervention only and within the limits of Client's instructions, if any. The Company's sole responsibility is to its Client and this document does not exonerate parties to a transaction from exercising all their rights and obligations under the transaction documents. This document cannot be reproduced except in full, without prior written approval of the Company. Any unauthorized alteration, forgery or falsification of the content or appearance of this document is unlawful and offenders may be prosecuted to the fullest extent of the law.

3.6 System check results

WWAN

Validation Kit	S/N	Frequency (MHz)	1W Target 10g-SAR (W/kg)	Pin=250mW Measured 10g-SAR (W/kg)	Normalized to 1W 10g-SAR (W/kg)	Deviation (%)	Limit	Measurement Date
D750V3	1015	750	8.51	2.21	8.84	3.88	± 10%	Jul. 28, 2022
D835V2	4d063	835	9.64	2.36	9.44	-2.07	± 10%	Jul. 28, 2022
D1750V2	1008	1750	36.6	9.23	36.92	0.87	± 10%	Jul. 29, 2022
D1750V2	1008	1750	36.6	9.18	36.72	0.33	± 10%	Jul. 30, 2022
D1900V2	5d173	1900	39.6	10.00	40.00	1.01	± 10%	Jul. 29, 2022
D1900V2	5d173	1900	39.6	9.56	38.24	-3.43	± 10%	Jul. 30, 2022
D2300V2	1023	2300	48.0	11.70	46.80	-2.50	± 10%	Jul. 31, 2022
D2600V2	1005	2600	56.8	14.10	56.40	-0.70	± 10%	Jul. 31, 2022
D2600V2	1005	2600	56.8	14.10	56.40	-0.70	± 10%	Aug. 01, 2022

Validation Kit	S/N	Frequency (MHz)	1W Target 10g-SAR (W/kg)	Pin=100mW Measured 10g-SAR (W/kg)	Normalized to 1W 10g-SAR (W/kg)	Deviation (%)	Limit	Measurement Date
D3500V2	1009	3500	65.5	6.56	65.60	0.15	± 10%	Aug. 02, 2022
D3500V2	1009	3500	65.5	6.61	66.10	0.92	± 10%	Aug. 03, 2022
D3700V2	1057	3700	62.7	6.41	64.10	2.23	± 10%	Aug. 02, 2022
D3700V2	1057	3700	62.7	6.44	64.40	2.71	± 10%	Aug. 03, 2022
D3900V2	1032	3900	68.3	6.79	67.90	-0.59	± 10%	Aug. 02, 2022

WLAN

Validation Kit	S/N	Frequency (MHz)	1W Target SAR-1g (mW/g)	pin=250mW Measured SAR-1g (mW/g)	Measured SAR-1g normalized to 1W (mW/g)	Deviation (%)	Measured Date
D2450V2	727	2450	53.9	12.75	51	-5.38%	Jun. 26, 2022

Validation Kit	S/N	Frequency (MHz)	1W Target SAR-1g (mW/g)	Pin=100mW Measured SAR-1g (mW/g)	Measured SAR-1g normalized to 1W (mW/g)	Deviation (%)	Measured Date
D5GHzV2	1023	5250	81	8.12	81.2	0.25%	Jun. 27, 2022
		5600	84.4	8.14	81.4	-3.55%	Jun. 27, 2022
		5750	81	8.14	81.4	0.49%	Jun. 27, 2022
D6.5GHzV2	1006	6500	291	29.30	293	0.69%	Jun. 28, 2022
D7GHzV2	1007	7000	275	26.50	265	-3.64%	Jun. 28, 2022

Unless otherwise stated the results shown in this test report refer only to the sample(s) tested and such sample(s) are retained for 90 days only.

除非另有說明，此報告結果僅對測試之樣品負責，同時此樣品僅保留90天。本報告未經本公司書面許可，不可部份複製。

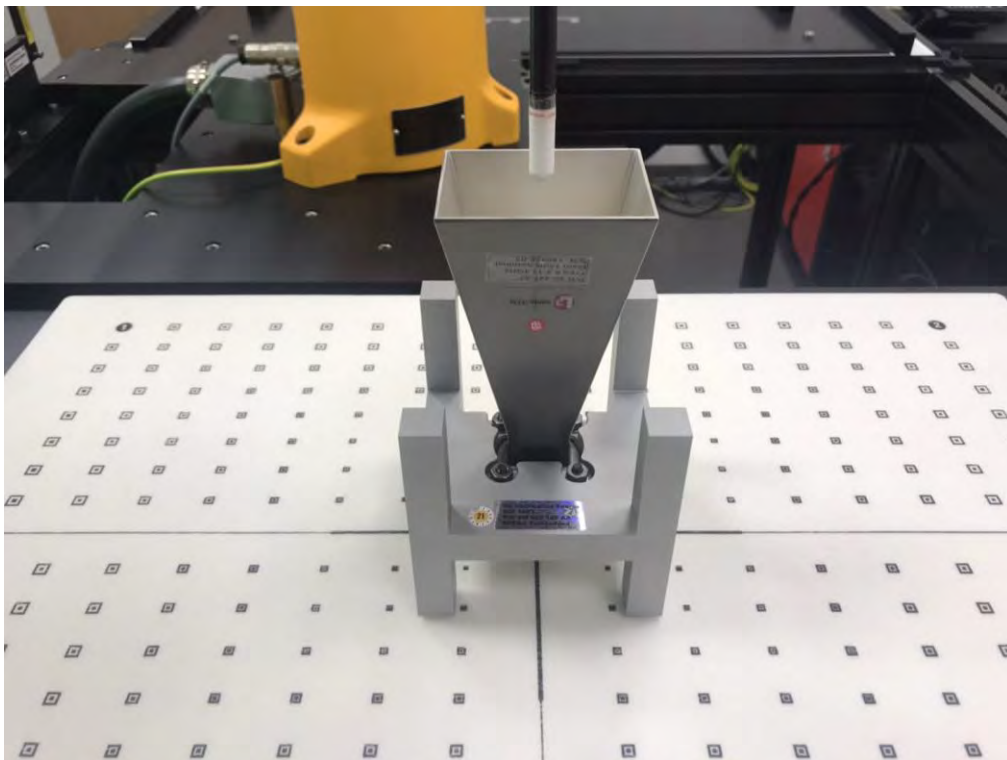
This document is issued by the Company subject to its General Conditions of Service printed overleaf, available on request or accessible at <http://www.sgs.com.tw/Terms-and-Conditions>, and for electronic format documents, subject to Terms and Conditions for Electronic Documents at <http://www.sgs.com.tw/Terms-and-Conditions>. Attention is drawn to the limitation of liability, indemnification and jurisdiction issues defined therein. Any holder of this document is advised that information contained hereon reflects the Company's findings at the time of its intervention only and within the limits of Client's instructions, if any. The Company's sole responsibility is to its Client and this document does not exonerate parties to a transaction from exercising all their rights and obligations under the transaction documents. This document cannot be reproduced except in full, without prior written approval of the Company. Any unauthorized alteration, forgery or falsification of the content or appearance of this document is unlawful and offenders may be prosecuted to the fullest extent of the law.

4 PD SYSTEM VERIFICATION

4.1 System check

The system was verified to be within ± 0.66 dB of the power density targets on the calibration certificate according to the test system specification in the user's manual and calibration facility recommendation. The 0.66 dB deviation threshold represents the expanded uncertainty for system performance checks using SPEAG's mmWave verification sources. The same spatial resolution and measurement region used in the source calibration was applied during the system check.

The measured power density distribution of verification source was also confirmed through visual inspection to have no noticeable differences, both spatially (shape) and numerically (level) from the distribution provided by the manufacturer, per November 2017 TCBC Workshop Notes.



System Verification Setup Photo

Unless otherwise stated the results shown in this test report refer only to the sample(s) tested and such sample(s) are retained for 90 days only.

除非另有說明，此報告結果僅對測試之樣品負責，同時此樣品僅保留90天。本報告未經本公司書面許可，不可部份複製。

This document is issued by the Company subject to its General Conditions of Service printed overleaf, available on request or accessible at <http://www.sgs.com.tw/Terms-and-Conditions> and for electronic format documents, subject to Terms and Conditions for Electronic Documents at <http://www.sgs.com.tw/Terms-and-Conditions>. Attention is drawn to the limitation of liability, indemnification and jurisdiction issues defined therein. Any holder of this document is advised that information contained hereon reflects the Company's findings at the time of its intervention only and within the limits of Client's instructions, if any. The Company's sole responsibility is to its Client and this document does not exonerate parties to a transaction from exercising all their rights and obligations under the transaction documents. This document cannot be reproduced except in full, without prior written approval of the Company. Any unauthorized alteration, forgery or falsification of the content or appearance of this document is unlawful and offenders may be prosecuted to the fullest extent of the law.

4.2 System check result

The system was verified to be within ± 0.66 dB of the power density targets on the calibration certificate according to the test system specification in the user's manual and calibration facility recommendation. The 0.66 dB deviation threshold represents the expanded uncertainty for system performance checks using SPEAG's mmWave verification sources. The same spatial resolution and measurement region used in the source calibration was applied during the system check. The measured power density distribution of verification source was also confirmed through visual inspection to have no noticeable differences, both spatially (shape) and numerically (level) from the distribution provided by the manufacturer, per November 2017 TCBC Workshop Notes.

Frequency (GHz)	PD Verification Source	Probe S/N	DAE S/N	Distance (mm)	Prad (mW)	Measured 4cm ² (W/m ²)	Target 4cm ² (W/m ²)	Deviation (dB)	Date
10G	10G	9399	1665	10	86.1	45.5	51.7	-0.55	Jun. 29, 2022

Unless otherwise stated the results shown in this test report refer only to the sample(s) tested and such sample(s) are retained for 90 days only.

除非另有說明，此報告結果僅對測試之樣品負責，同時此樣品僅保留90天。本報告未經本公司書面許可，不可部份複製。

This document is issued by the Company subject to its General Conditions of Service printed overleaf, available on request or accessible at <http://www.sgs.com.tw/Terms-and-Conditions> and for electronic format documents, subject to Terms and Conditions for Electronic Documents at <http://www.sgs.com.tw/Terms-and-Conditions>. Attention is drawn to the limitation of liability, indemnification and jurisdiction issues defined therein. Any holder of this document is advised that information contained hereon reflects the Company's findings at the time of its intervention only and within the limits of Client's instructions, if any. The Company's sole responsibility is to its Client and this document does not exonerate parties to a transaction from exercising all their rights and obligations under the transaction documents. This document cannot be reproduced except in full, without prior written approval of the Company. Any unauthorized alteration, forgery or falsification of the content or appearance of this document is unlawful and offenders may be prosecuted to the fullest extent of the law.

SGS Taiwan Ltd.

No.134,Wu Kung Road, New Taipei Industrial Park, Wuku District, New Taipei City, Taiwan/新北市五股區新北產業園區五工路 134 號

台灣檢驗科技股份有限公司

t (886-2) 2299-3279

f (886-2) 2298-0488

www.sgs.com.tw

Member of SGS Group

5 TEST CONFIGURATIONS

5.1 Test Environment

Ambient Temperature: 22±2° C

Tissue Simulating Liquid: 22±2° C

5.2 Test Note

- General:** Measurements are performed respectively on the lowest, middle and highest channels of the operating band(s).
- General:** The EUT is set to maximum power level during all tests, and at the beginning of each test the battery is fully charged.
- General:** During the SAR testing, the DASY system checks power drift by comparing the e-field strength of one specific location measured at the beginning with that measured at the end of the SAR testing.
- General:** According to KDB447498D01v06, testing of other required channels is not required when the reported 1-g SAR for the highest output channel is ≤ 0.8 W/kg, when the transmission band is ≤ 100 MHz.
- General:** According to KDB865664D01v01r04, SAR measurement variability must be assessed for each frequency band. When the original highest measured SAR is ≥ 0.8 W/kg, repeated that measurement once. Perform a second repeated measurement only if the ratio of largest to smallest SAR for the original and first repeated measurements is > 1.20 or when the original or repeated measurement is ≥ 1.45 W/kg (~ 10% from the 1-g SAR limit).
- UMTS (HSDPA):** The 3G SAR test reduction procedure is applied to HSDPA with 12.2 kbps RMC as the primary mode. Since the maximum output power in a secondary mode (HSDPA) is ≤ ¼ dB higher than the primary mode (WCDMA), SAR measurement is not required for the secondary mode (HSDPA). The following 4 sub-tests were completed according to Release 5 procedures in section 5.2 of 3GPP TS 34.121. A summary of these setting are illustrated below:

Sub-test	β_c	β_d	β_a (SF)	β_c/β_a	$\beta_{hs}^{(1)}$	CM (dB) ⁽²⁾
1	2/15	15/15	64	2/15	4/15	0.0
2	12/15 ⁽³⁾	15/15 ⁽³⁾	64	12/15 ⁽³⁾	24/15	1.0
3	15/15	8/15	64	15/8	30/15	1.5
4	15/15	4/15	64	15/4	30/15	1.5

Note 1: $\Delta_{ACK}, \Delta_{NACK}$ and $\Delta_{CQI} = 8 \Leftrightarrow \Delta_{HS} = \beta_{hs}/\beta_c = 30/15 \Leftrightarrow \beta_{hs} = 30/15 * \beta_c$
 Note 2: CM = 1 for $\beta_c/\beta_d = 12/15, \beta_{hs}/\beta_c = 24/15$.
 Note 3: For subtest 2 the β_c/β_a ratio of 12/15 for the TFC during the measurement period (TF1, TF0) is achieved by setting the signaled gain factors for the reference TFC (TF1, TF1) to $\beta_c = 11/15$ and $\beta_a = 15/15$.

- UMTS (HSPA):** The 3G SAR test reduction procedure is applied to HSPA (HSUPA/HSDPA with RMC) with 12.2 kbps RMC as the primary mode. Since the maximum output power in a secondary mode (HSPA) is ≤ ¼ dB higher than the primary mode (WCDMA), SAR measurement is not required for the secondary mode (HSPA). The following 5 sub-tests were completed according to Release 6 procedures in section 5.2 of 3GPP TS 34.121. A summary of these setting are illustrated below:

Unless otherwise stated the results shown in this test report refer only to the sample(s) tested and such sample(s) are retained for 90 days only.

除非另有說明，此報告結果僅對測試之樣品負責，同時此樣品僅保留90天。本報告未經本公司書面許可，不可部份複製。

This document is issued by the Company subject to its General Conditions of Service printed overleaf, available on request or accessible at <http://www.sgs.com.tw/Terms-and-Conditions> and for electronic format documents, subject to Terms and Conditions for Electronic Documents at <http://www.sgs.com.tw/Terms-and-Conditions>. Attention is drawn to the limitation of liability, indemnification and jurisdiction issues defined therein. Any holder of this document is advised that information contained herein reflects the Company's findings at the time of its intervention only and within the limits of Client's instructions, if any. The Company's sole responsibility is to its Client and this document does not exonerate parties to a transaction from exercising all their rights and obligations under the transaction documents. This document cannot be reproduced except in full, without prior written approval of the Company. Any unauthorized alteration, forgery or falsification of the content or appearance of this document is unlawful and offenders may be prosecuted to the fullest extent of the law.

Sub-test	β_c	β_d	β_d (SF)	β_c/β_d	$\beta_{hs}^{(1)}$	β_{ec}	β_{ed}	β_{ed} (SF)	β_{ed} (codes)	CM ⁽²⁾ (dB)	MPR (dB)	AG ⁽⁴⁾ Index	E-TFCI
1	11/15 ⁽³⁾	15/15 ⁽³⁾	64	11/15 ⁽³⁾	22/15	209/225	1039/225	4	1	1.0	0.0	20	75
2	6/15	15/15	64	6/15	12/15	12/15	94/75	4	1	3.0	2.0	12	67
3	15/15	9/15	64	15/9	30/15	30/15	β_{ed1} : 47/15 β_{ed2} : 47/15	4	2	2.0	1.0	15	92
4	2/15	15/15	64	2/15	4/15	2/15	56/75	4	1	3.0	2.0	17	71
5	15/15 ⁽⁴⁾	15/15 ⁽⁴⁾	64	15/15 ⁽⁴⁾	30/15	24/15	134/15	4	1	1.0	0.0	21	81

Note 1: Δ_{ACK} , Δ_{NACK} and $\Delta_{CQI} = 8 \Leftrightarrow A_{hs} = \beta_{hs}/\beta_c = 30/15 \Leftrightarrow \beta_{hs} = 30/15 * \beta_c$.
 Note 2: CM = 1 for $\beta_c/\beta_d=12/15$, $\beta_{hs}/\beta_c=24/15$. For all other combinations of DPDCH, DPCCCH, HS-DPCCH, E-DPDCH and E-DPCCH the MPR is based on the relative CM difference.
 Note 3: For subtest 1 the β_c/β_d ratio of 11/15 for the TFC during the measurement period (TF1, TF0) is achieved by setting the signaled gain factors for the reference TFC (TF1, TF1) to $\beta_c = 10/15$ and $\beta_d = 15/15$.
 Note 4: For subtest 5 the β_c/β_d ratio of 15/15 for the TFC during the measurement period (TF1, TF0) is achieved by setting the signaled gain factors for the reference TFC (TF1, TF1) to $\beta_c = 14/15$ and $\beta_d = 15/15$.
 Note 5: Testing UE using E-DPDCH Physical Layer category 1 Sub-test 3 is not required according to TS 25.306 Table 5.1g.
 Note 6: β_{ed} cannot be set directly; it is set by Absolute Grant Value.

8. **UMTS (HSPA+):** The 3G SAR test reduction procedure is applied to HSPA+ with 12.2 kbps RMC as the primary mode. Since the maximum output power in a secondary mode (HSPA+) is $\leq 1/4$ dB higher than the primary mode (WCDMA), SAR measurement is not required for the secondary mode (HSPA+). The following 1 sub-test was completed according to Release 7 procedures in section 5.2 of 3GPP TS34.121. A summary of these settings are illustrated below:

Table C.11.1.4: β values for transmitter characteristics tests with HS-DPCCH and E-DCH with 16QAM.

Sub-test	β_c (Note 3)	β_d	β_{HS} (Note 1)	β_{ec}	β_{ed} (2xSF2) (Note 4)	β_{ed} (2xSF4) (Note 4)	CM (dB) (Note 2)	MPR (dB) (Note 2)	AG Index (Note 4)	E-TFCI (Note 5)	E-TFCI (boost)
1	1	0	30/15	30/15	β_{ed1} : 30/15 β_{ed2} : 30/15	β_{ed3} : 24/15 β_{ed4} : 24/15	3.5	2.5	14	105	105

Note 1: Δ_{ACK} , Δ_{NACK} and $\Delta_{CQI} = 30/15$ with $\beta_{hs} = 30/15 * \beta_c$.
 Note 2: CM = 3.5 and the MPR is based on the relative CM difference, MPR = MAX(CM-1,0).
 Note 3: DPDCH is not configured, therefore the β_c is set to 1 and $\beta_d = 0$ by default.
 Note 4: β_{ed} can not be set directly; it is set by Absolute Grant Value.
 Note 5: All the sub-tests require the UE to transmit 2SF2+2SF4 16QAM EDCH and they apply for UE using E-DPDCH category 7. E-DCH TTI is set to 2ms TTI and E-DCH table index = 2. To support these E-DCH configurations DPDCH is not allocated. The UE is signalled to use the extrapolation algorithm.

9. **UMTS (DC-HSDPA):** The 3G SAR test reduction procedure is applied to DC-HSDPA with 12.2 kbps RMC as the primary mode. Power is measured for DC-HSDPA according to the H-Set 12, FRC configuration in Table C.8.1.12 of 3GPP TS 34.121-1 to determine SAR test reduction. A primary and a secondary serving HS-DSCH Cell are required to perform the power measurement and for the results to be acceptable. Since the maximum output power in a secondary mode (DC-HSDPA) is $\leq 1/4$ dB higher than the primary mode (WCDMA), SAR measurement is not required for the secondary mode (DC-HSDPA). The following tests were completed according to procedures in section 7.3.13 of 3GPP TS 34.108 v9.5.0. A summary of these setting are illustrated below:

Unless otherwise stated the results shown in this test report refer only to the sample(s) tested and such sample(s) are retained for 90 days only.

除非另有說明，此報告結果僅對測試之樣品負責，同時此樣品僅保留90天。本報告未經本公司書面許可，不可部份複製。

This document is issued by the Company subject to its General Conditions of Service printed overleaf, available on request or accessible at <http://www.sgs.com.tw/Terms-and-Conditions> and for electronic format documents, subject to Terms and Conditions for Electronic Documents at <http://www.sgs.com.tw/Terms-and-Conditions>. Attention is drawn to the limitation of liability, indemnification and jurisdiction issues defined therein. Any holder of this document is advised that information contained hereon reflects the Company's findings at the time of its intervention only and within the limits of Client's instructions, if any. The Company's sole responsibility is to its Client and this document does not exonerate parties to a transaction from exercising all their rights and obligations under the transaction documents. This document cannot be reproduced except in full, without prior written approval of the Company. Any unauthorized alteration, forgery or falsification of the content or appearance of this document is unlawful and offenders may be prosecuted to the fullest extent of the law.

The configurations of the fixed reference channels for HSDPA RF tests are described in 3GPP TS 34.121, annex C for FDD and 3GPP TS 34.122

Table C.8.1.12: Fixed Reference Channel H-Set 12

Parameter	Unit	Value
Nominal Avg. Inf. Bit Rate	kbps	60
Inter-TTI Distance	TTI's	1
Number of HARQ Processes	Processes	6
Information Bit Payload (N_{INF})	Bits	120
Number Code Blocks	Blocks	1
Binary Channel Bits Per TTI	Bits	960
Total Available SML's in UE	SML's	19200
Number of SML's per HARQ Proc.	SML's	3200
Coding Rate		0.15
Number of Physical Channel Codes	Codes	1
Modulation		QPSK
Note 1: The RMC is intended to be used for DC-HSDPA mode and both cells shall transmit with identical parameters as listed in the table. Note 2: Maximum number of transmission is limited to 1, i.e., retransmission is not allowed. The redundancy and constellation version 0 shall be used.		

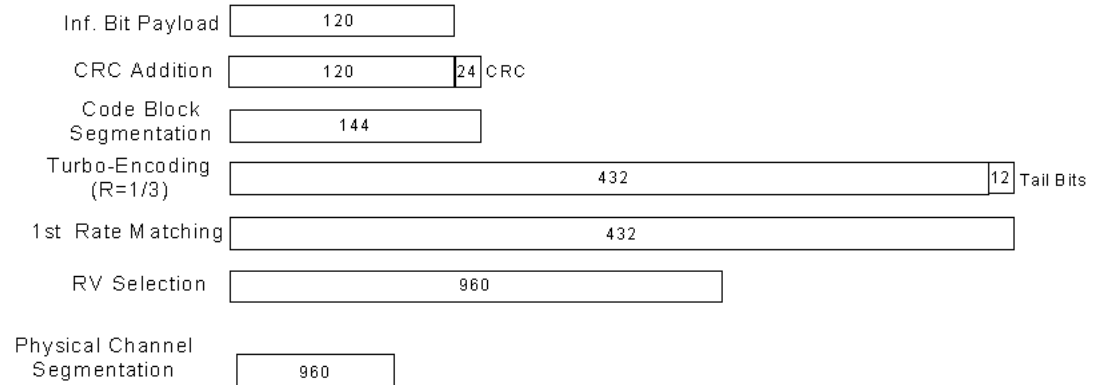


Figure C.8.19: Coding rate for Fixed reference Channel H-Set 12 (QPSK)

The following 4 sub-tests for HSDPA were completed according to Release 8 procedures in section 5.2 of 3GPP TS34.121. A summary of subtest settings are illustrated below:

Sub-test	β_c	β_a	β_a (SF)	β_c/β_a	$\beta_{hs}^{(1)}$	CM (dB) ⁽²⁾
1	2/15	15/15	64	2/15	4/15	0.0
2	12/15 ⁽³⁾	15/15 ⁽³⁾	64	12/15 ⁽³⁾	24/15	1.0
3	15/15	8/15	64	15/8	30/15	1.5
4	15/15	4/15	64	15/4	30/15	1.5

Note 1: $\Delta_{ACK}, \Delta_{NACK}$ and $\Delta_{CQI} = 8 \Leftrightarrow A_{hs} = \beta_{hs}/\beta_c = 30/15 \Leftrightarrow \beta_{hs} = 30/15 * \beta_c$
 Note 2: CM = 1 for $\beta_c/\beta_a = 12/15, \beta_{hs}/\beta_c = 24/15$.
 Note 3: For subtest 2 the β_c/β_a ratio of 12/15 for the TFC during the measurement period (TF1, TF0) is achieved by setting the signaled gain factors for the reference TFC (TF1, TF1) to $\beta_c = 11/15$ and $\beta_a = 15/15$.

Unless otherwise stated the results shown in this test report refer only to the sample(s) tested and such sample(s) are retained for 90 days only.

除非另有說明，此報告結果僅對測試之樣品負責，同時此樣品僅保留90天。本報告未經本公司書面許可，不可部份複製。

This document is issued by the Company subject to its General Conditions of Service printed overleaf, available on request or accessible at <http://www.sgs.com.tw/Terms-and-Conditions> and for electronic format documents, subject to Terms and Conditions for Electronic Documents at <http://www.sgs.com.tw/Terms-and-Conditions>. Attention is drawn to the limitation of liability, indemnification and jurisdiction issues defined therein. Any holder of this document is advised that information contained hereon reflects the Company's findings at the time of its intervention only and within the limits of Client's instructions, if any. The Company's sole responsibility is to its Client and this document does not exonerate parties to a transaction from exercising all their rights and obligations under the transaction documents. This document cannot be reproduced except in full, without prior written approval of the Company. Any unauthorized alteration, forgery or falsification of the content or appearance of this document is unlawful and offenders may be prosecuted to the fullest extent of the law.

10. LTE: LTE modes test according to KDB 941225D05v02r05.

a. Per Section 5.2.1, the largest channel bandwidth and measure SAR for QPSK with 1 RB allocation.

- Using the RB offset and required test channel combination with the highest maximum output power for RB offsets at the upper edge, middle and lower edge of each required test channel.
- When the reported SAR is ≤ 0.8 W/kg, testing of the remaining RB offset configurations and required test channels is not required for 1 RB allocation; otherwise, SAR is required for the remaining required test channels and only for the RB offset configuration with the highest output power for that channel.
- When the reported SAR of a required test channel is > 1.45 W/kg, SAR is required for all three RB offset configurations for that required test channel.

b. Per Section 5.2.2, the largest channel bandwidth and measure SAR for QPSK with 50% RB allocation

- The procedures required for 1 RB allocation in 5.2.1 are applied to measure the SAR for QPSK with 50% RB allocation.

c. Per Section 5.2.3, the largest channel bandwidth and measure SAR for QPSK with 100% RB allocation

- For QPSK with 100% RB allocation, SAR is not required when the highest maximum output power for 100 % RB allocation is less than the highest maximum output power in 50% and 1 RB allocations and the highest reported SAR for 1 RB and 50% RB allocation in 5.2.1 and 5.2.2 are ≤ 0.8 W/kg.
- Otherwise, SAR is measured for the highest output power channel and if the reported SAR is > 1.45 W/kg, the remaining required test channels must also be tested.

d. Per Section 5.2.4, Higher order modulations

- For each modulation besides QPSK; e.g., 16-QAM, 64-QAM, apply the QPSK procedures in sections 5.2.1, 5.2.2 and 5.2.3 to determine the QAM configurations that may need SAR measurement. For each configuration identified as required for testing, SAR is required only when the highest maximum output power for the configuration in the higher order modulation is $> \frac{1}{2}$ dB higher than the same configuration in QPSK or when the reported SAR for the QPSK configuration is > 1.45 W/kg.

e. Per Section 5.3, other channel bandwidth standalone SAR test requirements

- For the other channel bandwidths used by the device in a frequency band, apply all the procedures required for the largest channel bandwidth in section 5.2 to determine the channels and RB configurations that need SAR testing and only

Unless otherwise stated the results shown in this test report refer only to the sample(s) tested and such sample(s) are retained for 90 days only.

除非另有說明，此報告結果僅對測試之樣品負責，同時此樣品僅保留90天。本報告未經本公司書面許可，不可部份複製。

This document is issued by the Company subject to its General Conditions of Service printed overleaf, available on request or accessible at <http://www.sgs.com.tw/Terms-and-Conditions> and for electronic format documents, subject to Terms and Conditions for Electronic Documents at <http://www.sgs.com.tw/Terms-and-Conditions>. Attention is drawn to the limitation of liability, indemnification and jurisdiction issues defined therein. Any holder of this document is advised that information contained hereon reflects the Company's findings at the time of its intervention only and within the limits of Client's instructions, if any. The Company's sole responsibility is to its Client and this document does not exonerate parties to a transaction from exercising all their rights and obligations under the transaction documents. This document cannot be reproduced except in full, without prior written approval of the Company. Any unauthorized alteration, forgery or falsification of the content or appearance of this document is unlawful and offenders may be prosecuted to the fullest extent of the law.

measure SAR when the highest maximum output power of a configuration requiring testing in the smaller channel bandwidth is $> \frac{1}{2}$ dB higher than the equivalent channel configurations in the largest channel bandwidth configuration or the reported SAR of a configuration for the largest channel bandwidth is > 1.45 W/kg. The equivalent channel configuration for the RB allocation, RB offset and modulation etc. is determined for the smaller channel bandwidth according to the same number of RB allocated in the largest channel bandwidth.

- TDD LTE was tested at highest duty factor using UL-DL configuration 0 with 6 UL subframes and 2 special subframes using extended cyclic prefix only and special subframe configuration 6. SAR tests were performed at maximum output power and worst-case transmission duty factor in extended cyclic prefix. Per 3GPP 36.211 Section 4.2, the duty factor for UL-DL configuration 0/special subframe configuration 6 using extended cyclic prefix is 0.633.

According to KDB 941225 D05, SAR testing for TDD LTE must be tested using a fixed periodic duty factor according to the highest transmission duty factor implemented for the device and supported by the defined 3GPP TDD LTE configurations. The TDD-LTE of this device supports frame structure type 2 defined in 3GPP TS 36.211 section 4.2, and the frame structure configuration can be tabulated as below.

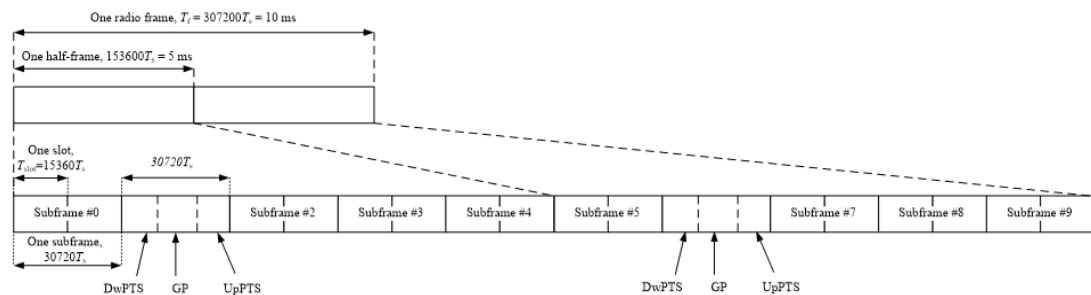


Figure 4.2-1: Frame structure type 2 (for 5 ms switch-point periodicity).

Unless otherwise stated the results shown in this test report refer only to the sample(s) tested and such sample(s) are retained for 90 days only.

除非另有說明，此報告結果僅對測試之樣品負責，同時此樣品僅保留90天。本報告未經本公司書面許可，不可部份複製。

This document is issued by the Company subject to its General Conditions of Service printed overleaf, available on request or accessible at <http://www.sgs.com.tw/Terms-and-Conditions> and for electronic format documents, subject to Terms and Conditions for Electronic Documents at <http://www.sgs.com.tw/Terms-and-Conditions>. Attention is drawn to the limitation of liability, indemnification and jurisdiction issues defined therein. Any holder of this document is advised that information contained hereon reflects the Company's findings at the time of its intervention only and within the limits of Client's instructions, if any. The Company's sole responsibility is to its Client and this document does not exonerate parties to a transaction from exercising all their rights and obligations under the transaction documents. This document cannot be reproduced except in full, without prior written approval of the Company. Any unauthorized alteration, forgery or falsification of the content or appearance of this document is unlawful and offenders may be prosecuted to the fullest extent of the law.

Table 4.2-1: Configuration of special subframe (lengths of DwPTS/GP/UpPTS)

Special subframe configuration n	Normal cyclic prefix in downlink			Extended cyclic prefix in downlink		
	DwPTS	UpPTS		DwPTS	UpPTS	
		Normal cyclic prefix in uplink	Extended cyclic prefix in uplink		Normal cyclic prefix in uplink	Extended cyclic prefix in uplink
0	$6592 \cdot T_s$	$(1+X) \cdot 2192 \cdot T_s$	$(1+X) \cdot 2560 \cdot T_s$	$7680 \cdot T_s$	$(1+X) \cdot 2192 \cdot T_s$	$(1+X) \cdot 2560 \cdot T_s$
1	$19760 \cdot T_s$			$20480 \cdot T_s$		
2	$21952 \cdot T_s$			$23040 \cdot T_s$		
3	$24144 \cdot T_s$			$25600 \cdot T_s$		
4	$26336 \cdot T_s$			$7680 \cdot T_s$		
5	$6592 \cdot T_s$	$(2+X) \cdot 2192 \cdot T_s$	$(2+X) \cdot 2560 \cdot T_s$	$20480 \cdot T_s$	$(2+X) \cdot 2192 \cdot T_s$	$(2+X) \cdot 2560 \cdot T_s$
6	$19760 \cdot T_s$			$23040 \cdot T_s$		
7	$21952 \cdot T_s$			$12800 \cdot T_s$		
8	$24144 \cdot T_s$			-		
9	$13168 \cdot T_s$			-		

Table 4.2-2: Uplink-downlink configurations

Uplink-downlink configuration	Downlink-to-Uplink Switch-point periodicity	Subframe number									
		0	1	2	3	4	5	6	7	8	9
0	5 ms	D	S	U	U	U	D	S	U	U	U
1	5 ms	D	S	U	U	D	D	S	U	U	D
2	5 ms	D	S	U	D	D	D	S	U	D	D
3	10 ms	D	S	U	U	U	D	D	D	D	D
4	10 ms	D	S	U	U	D	D	D	D	D	D
5	10 ms	D	S	U	D	D	D	D	D	D	D
6	5 ms	D	S	U	U	U	D	S	U	U	D

Considering the highest transmission duty cycle, TDD LTE was tested using Uplink-Downlink configuration 0 with 6 uplink subframe and 2 special subframe. The special subframe was set to special subframe configuration 6 using extended cyclic prefix uplink. Therefore, SAR testing for TDD LTE was measured at the maximum output power with highest transmission duty cycle of 63.33%.

11. **LTE downlink CA:** The device supports the carrier aggregation in the downlink. All uplink communications are identical to the Release 8 specifications. Uplink maximum output power is measured with downlink carrier aggregation active, only for the channel with highest measured maximum output power when downlink carrier aggregation is inactive, to confirm that when downlink carrier aggregation is active uplink maximum output power remains within the specified tune-up tolerance limits and not more than 1/4 dB higher than the maximum output power measured when downlink carrier aggregation inactive. The downlink channels selected to perform the uplink power measurement must satisfy 3GPP channel spacing (5.4.1A of 3GPP TS 36.521 or equivalent) and channel bandwidth (5.4.2A) requirements. The nominal channel spacing is determined by $[BW1 + BW2 - 0.1 \cdot |BW1 - BW2|] / 2$ MHz, where BW1 and BW2 are the channel bandwidths of the CC in a 2-CC aggregation configuration. The downlink PCC channel should be paired with the uplink channel

Unless otherwise stated the results shown in this test report refer only to the sample(s) tested and such sample(s) are retained for 90 days only.

除非另有說明，此報告結果僅對測試之樣品負責，同時此樣品僅保留90天。本報告未經本公司書面許可，不可部份複製。

This document is issued by the Company subject to its General Conditions of Service printed overleaf, available on request or accessible at <http://www.sgs.com.tw/Terms-and-Conditions> and for electronic format documents, subject to Terms and Conditions for Electronic Documents at <http://www.sgs.com.tw/Terms-and-Conditions>. Attention is drawn to the limitation of liability, indemnification and jurisdiction issues defined therein. Any holder of this document is advised that information contained herein reflects the Company's findings at the time of its intervention only and within the limits of Client's instructions, if any. The Company's sole responsibility is to its Client and this document does not exonerate parties to a transaction from exercising all their rights and obligations under the transaction documents. This document cannot be reproduced except in full, without prior written approval of the Company. Any unauthorized alteration, forgery or falsification of the content or appearance of this document is unlawful and offenders may be prosecuted to the fullest extent of the law.

according to normal configurations, as if there is no carrier aggregation. The downlink SCC should be adjacent to the PCC and remain within the downlink transmission band for contiguous intra-band CA. For non-contiguous intra-band CA, the SCC should be selected to provide maximum separation from the PCC and must remain fully within the downlink transmission band. For inter-band CA, the SCC should be near the middle of its transmission band. When downlink carrier aggregation is active uplink maximum output power remain within the specified tune-up tolerance limits and not more than $\frac{1}{4}$ dB higher than the maximum output power measured when downlink carrier aggregation inactive, so SAR evaluation is not required for downlink carrier aggregation.

12. **LTE intra-band UL CA (contiguous):** The device supports LTE intra-band contiguous UL CA. The maximum output power is measured for each UL CA configuration for the required test channels. UL PCC configuration is determined by the required test channel. SCC and subsequent CCs are added alternatively to either side of the PCC or within the transmission band for channels at the ends of a frequency band. SAR for UL CA is required in highest standalone test position and frequency band combination. Since the maximum output for UL CA is \leq standalone LTE mode (without CA), PCC is configured according to the highest standalone SAR configuration tested, SCC and subsequent CCs are configured according to procedures used for power measurement and parameters (BW, RB etc.) similar to that used for the PCC.
13. **5G NR:** SAR tests for NR bands and LTE anchor bands were performed separately due to limitations in SAR probe calibration factor. Due to test setup limitation, SAR testing for NR was performed using factory test mode software to establish the connection.
14. **5G NR:** 5G NR Power/SAR procedure is similar with KDB 941225 D05. **a.** For power measurement reduction of DFT-s-OFDM and CP-OFDM, CP-OFDM will not higher than DFT-OFDM based on 3GPP MPR table, so CP-OFDM QPSK power measurement is spot check for 1RB allocation/1 RB offset configuration to ensure the output power will not $\frac{1}{2}$ dB higher than $P_i/2$ BPSK and QPSK. **b.** For power measurement reduction of DFT-s-OFDM, 16QAM/64QAM/256QAM will not higher than $P_i/2$ BPSK and QPSK based on 3GPP MPR table, so $P_i/2$ BPSK and QPSK are measured fully, and 16QAM is spot check 1RB allocation/1 RB offset configuration to ensure the output power will not $\frac{1}{2}$ dB higher than $P_i/2$ BPSK and QPSK. Smaller bandwidth output power will also follow the largest bandwidth to ensure output power will not $\frac{1}{2}$ dB higher than largest supported bandwidth. **c.** SAR testing start with the largest channel bandwidth and measure SAR for QPSK with 1 RB allocation, using the RB offset and required test channel combination with the highest maximum output power for RB offsets at the upper edge, middle and lower edge of each required test channel. **d.** 50% RB allocation for QPSK SAR testing follows 1RB QPSK allocation procedure. **e.** QPSK with 100% RB allocation, SAR is not required when the highest maximum output power for 100 % RB allocation is less than the highest maximum output power in 50% and 1 RB allocations and the highest reported SAR for 1 RB and 50% RB allocation are ≤ 0.8 W/kg. Otherwise, SAR is measured for the highest output power channel; and if the reported SAR is > 1.45 W/kg, the remaining required test channels must also be tested. **f.** 16QAM/64QAM/256QAM output powers

Unless otherwise stated the results shown in this test report refer only to the sample(s) tested and such sample(s) are retained for 90 days only.

除非另有說明，此報告結果僅對測試之樣品負責，同時此樣品僅保留90天。本報告未經本公司書面許可，不可部份複製。

This document is issued by the Company subject to its General Conditions of Service printed overleaf, available on request or accessible at <http://www.sgs.com.tw/Terms-and-Conditions> and for electronic format documents, subject to Terms and Conditions for Electronic Documents at <http://www.sgs.com.tw/Terms-and-Conditions>. Attention is drawn to the limitation of liability, indemnification and jurisdiction issues defined therein. Any holder of this document is advised that information contained herein reflects the Company's findings at the time of its intervention only and within the limits of Client's instructions, if any. The Company's sole responsibility is to its Client and this document does not exonerate parties to a transaction from exercising all their rights and obligations under the transaction documents. This document cannot be reproduced except in full, without prior written approval of the Company. Any unauthorized alteration, forgery or falsification of the content or appearance of this document is unlawful and offenders may be prosecuted to the fullest extent of the law.

according to 3GPP MPR will not $\frac{1}{2}$ dB higher than the same configuration in QPSK, also reported SAR for the QPSK configuration is less than 1.45 W/kg, 16QAM/64QAM/256QAM SAR testing are not required. **g.** Smaller bandwidth output power for each RB allocation configuration for this device will not $\frac{1}{2}$ dB higher than the same configuration in the largest supported bandwidth, and the reported SAR for the largest supported bandwidth is ≤ 1.45 W/kg, smaller bandwidth SAR testing is not required for this device.

15. **WLAN 2.4GHz:** 802.11b DSSS SAR Test Requirements: SAR is measured for 2.4 GHz 802.11b DSSS mode using the highest measured maximum output power channel, when the reported SAR of the highest measured maximum output power channel for the exposure configuration is ≤ 0.8 W/kg, no further SAR testing is required for 802.11b DSSS in that exposure configuration. When the reported SAR is > 0.8 W/kg, SAR is required for that exposure configuration using the next highest measured output power channel. When any reported SAR is > 1.2 W/kg, SAR is required for the third channel; i.e., all channels require testing.
16. **WLAN 2.4GHz:** 802.11g/n OFDM SAR Test Exclusion Requirements: SAR is not required for 802.11g/n since the highest reported SAR for DSSS is adjusted by the ratio of OFDM to DSSS specified maximum output power and the adjusted SAR is ≤ 1.2 W/kg.
17. **WLAN 5GHz:** Initial Test Configuration: An initial test configuration is determined for OFDM transmission modes according to the channel bandwidth, modulation and data rate combination(s) with the highest maximum output power specified for production units in each standalone and aggregated frequency band. SAR is measured using the highest measured maximum output power channel. When the reported SAR of the initial test configuration is > 0.8 W/kg, SAR measurement is required for the subsequent next highest measured output power channel(s) in the initial test configuration until the reported SAR is ≤ 1.2 W/kg or all required channels are tested. Since the highest reported SAR for the initial test configuration is adjusted by the ratio of the subsequent test configuration to initial test configuration specified maximum output power and the adjusted SAR is ≤ 1.2 W/kg, SAR is not required for subsequent test configuration.
18. **WLAN 5GHz:** Based on FCC guidance, general principles of KDB248227D01 can be applied to 802.11ax to determine initial test configuration with 802.11ax being considered as the highest 802.11 mode for the appropriate frequency band.
19. **WLAN 6GHz:** Per October 2020 & April 2021 TCB Workshop Interim procedures and FCC guidance, start instead with a minimum of 5 test channels across the full band, then adapt and apply conducted power and SAR test reduction procedures of KDB Pub. 248227 v02r02. WIFI 6E SAR is measured by using 6-7GHz parameters per IEC/IEEE62209- 1528:2020 and report also estimated absorbed PD (for reference purposes only, not specifically for compliance). For the highest SAR test configurations also measure incident PD (total) using mmW near-field probe and total-field/power-density reconstruction method.
20. **WLAN 6GHz:** Per equipment manufacturer guidance, power density was measured at $d=2$ mm with the grid step (0.0625λ) for determining compliance at $d=2$ mm.
21. **WLAN 6GHz:** According to October 2020 TCB Workshop Interim procedures, power density results were scaled according to IEC 62479:2010 for the portion of the

Unless otherwise stated the results shown in this test report refer only to the sample(s) tested and such sample(s) are retained for 90 days only.

除非另有說明，此報告結果僅對測試之樣品負責，同時此樣品僅保留90天。本報告未經本公司書面許可，不可部份複製。

This document is issued by the Company subject to its General Conditions of Service printed overleaf, available on request or accessible at <http://www.sgs.com.tw/Terms-and-Conditions> and for electronic format documents, subject to Terms and Conditions for Electronic Documents at <http://www.sgs.com.tw/Terms-and-Conditions>. Attention is drawn to the limitation of liability, indemnification and jurisdiction issues defined therein. Any holder of this document is advised that information contained herein reflects the Company's findings at the time of its intervention only and within the limits of Client's instructions, if any. The Company's sole responsibility is to its Client and this document does not exonerate parties to a transaction from exercising all their rights and obligations under the transaction documents. This document cannot be reproduced except in full, without prior written approval of the Company. Any unauthorized alteration, forgery or falsification of the content or appearance of this document is unlawful and offenders may be prosecuted to the fullest extent of the law.

measurement uncertainty > 30%. Total expanded uncertainty of 2.67 dB (85%) was used to determine the psPD measurement scaling factor.

22. **WLAN 6GHz:** Per FCC guidance, for simultaneous transmission evaluation, using SAR sum and SPLSR for simultaneous transmit exclusion analyses and evaluations.

Unless otherwise stated the results shown in this test report refer only to the sample(s) tested and such sample(s) are retained for 90 days only.

除非另有說明，此報告結果僅對測試之樣品負責，同時此樣品僅保留90天。本報告未經本公司書面許可，不可部份複製。

This document is issued by the Company subject to its General Conditions of Service printed overleaf, available on request or accessible at <http://www.sgs.com.tw/Terms-and-Conditions> and for electronic format documents, subject to Terms and Conditions for Electronic Documents at <http://www.sgs.com.tw/Terms-and-Conditions>. Attention is drawn to the limitation of liability, indemnification and jurisdiction issues defined therein. Any holder of this document is advised that information contained hereon reflects the Company's findings at the time of its intervention only and within the limits of Client's instructions, if any. The Company's sole responsibility is to its Client and this document does not exonerate parties to a transaction from exercising all their rights and obligations under the transaction documents. This document cannot be reproduced except in full, without prior written approval of the Company. Any unauthorized alteration, forgery or falsification of the content or appearance of this document is unlawful and offenders may be prosecuted to the fullest extent of the law.

5.3 Test position

Laptop mode SAR test position (0mm)

For laptop PC, according to KDB 616217 D04, SAR evaluation is required for the bottom surface of the keyboard. This EUT was tested in the base of EUT directly against the flat phantom. The required minimum test separation distance for incorporating transmitters and antennas into laptop computer display is determined with the display screen opened at an angle of 90° to the keyboard compartment.

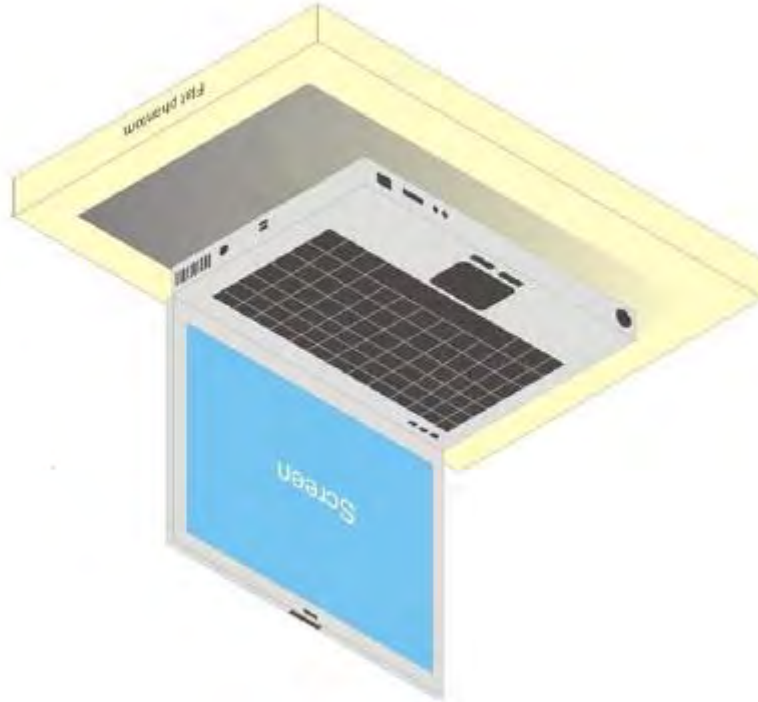


Illustration for Laptop Setup

Unless otherwise stated the results shown in this test report refer only to the sample(s) tested and such sample(s) are retained for 90 days only.

除非另有說明，此報告結果僅對測試之樣品負責，同時此樣品僅保留90天。本報告未經本公司書面許可，不可部份複製。

This document is issued by the Company subject to its General Conditions of Service printed overleaf, available on request or accessible at <http://www.sgs.com.tw/Terms-and-Conditions> and for electronic format documents, subject to Terms and Conditions for Electronic Documents at <http://www.sgs.com.tw/Terms-and-Conditions>. Attention is drawn to the limitation of liability, indemnification and jurisdiction issues defined therein. Any holder of this document is advised that information contained hereon reflects the Company's findings at the time of its intervention only and within the limits of Client's instructions, if any. The Company's sole responsibility is to its Client and this document does not exonerate parties to a transaction from exercising all their rights and obligations under the transaction documents. This document cannot be reproduced except in full, without prior written approval of the Company. Any unauthorized alteration, forgery or falsification of the content or appearance of this document is unlawful and offenders may be prosecuted to the fullest extent of the law.

5.4 Test limit

[§ 2.1093\(d\)\(1\)](#)

Applications for equipment authorization of portable RF sources subject to routine environmental evaluation must contain a statement confirming compliance with the limits specified in [§ 1.1310](#) as part of their application. Technical information showing the basis for this statement must be submitted to the Commission upon request. The SAR limits specified in [§ 1.1310\(a\)](#) through [\(c\) of this chapter](#) shall be used for evaluation of portable devices transmitting in the frequency range from 100 kHz to 6 GHz. Portable devices that transmit at frequencies above 6 GHz shall be evaluated in terms of the MPE limits specified in Table 1 to [§ 1.1310\(e\)\(1\)](#). A minimum separation distance applicable to the operating configurations and exposure conditions of the device shall be used for the evaluation. In general, maximum time-averaged power levels must be used for evaluation. All unlicensed personal communications service (PCS) devices and unlicensed NII devices shall be subject to the limits for general population/uncontrolled exposure.

Radiofrequency radiation exposure limits.

[§ 1.1310\(a\)](#)

Specific absorption rate (SAR) shall be used to evaluate the environmental impact of human exposure to radiofrequency (RF) radiation as specified in § 1.1307(b) within the frequency range of 100 kHz to 6 GHz (inclusive).

[§ 1.1310\(b\)](#)

The SAR limits for occupational/controlled exposure are 0.4 W/kg, as averaged over the whole body, and a peak spatial-average SAR of 8 W/kg, averaged over any 1 gram of tissue (defined as a tissue volume in the shape of a cube). Exceptions are the parts of the human body treated as extremities, such as hands, wrists, feet, ankles, and pinnae, where the peak spatial-average SAR limit for occupational/controlled exposure is 20 W/kg, averaged over any 10 grams of tissue (defined as a tissue volume in the shape of a cube). Exposure may be averaged over a time period not to exceed 6 minutes to determine compliance with occupational/controlled SAR limits.

[§ 1.1310\(c\)](#)

The SAR limits for general population/uncontrolled exposure are 0.08 W/kg, as averaged over the whole body, and a peak spatial-average SAR of 1.6 W/kg, averaged over any 1 gram of tissue (defined as a tissue volume in the shape of a cube). Exceptions are the parts of the human body treated as extremities, such as hands, wrists, feet, ankles, and pinnae, where the peak spatial-average SAR limit is 4 W/kg, averaged over any 10 grams of tissue (defined as a tissue volume in the shape of a cube). Exposure may be averaged over a time period not to exceed 30 minutes to determine compliance with general population/uncontrolled SAR limits.

Note to paragraphs (a) through (c):

SAR is a measure of the rate of energy absorption due to exposure to RF electromagnetic energy. These SAR limits to be used for evaluation are based generally on criteria published by the American National Standards Institute (ANSI) for localized SAR in [Section 4.2](#) of "IEEE Standard for Safety Levels with Respect to Human Exposure to Radio Frequency Electromagnetic Fields, 3 kHz to 300 GHz," ANSI/IEEE Std C95.1-1992, copyright 1992 by the Institute of Electrical and Electronics Engineers, Inc., New York, New York 10017. These criteria for SAR evaluation are similar to those recommended by the National Council on Radiation Protection and Measurements (NCRP) in "Biological Effects and Exposure Criteria for Radiofrequency Electromagnetic Fields," NCRP Report No. 86, [Section 17.4.5](#), copyright 1986 by NCRP, Bethesda, Maryland 20814. Limits for whole body SAR and peak spatial-average

Unless otherwise stated the results shown in this test report refer only to the sample(s) tested and such sample(s) are retained for 90 days only.

除非另有說明，此報告結果僅對測試之樣品負責，同時此樣品僅保留90天。本報告未經本公司書面許可，不可部份複製。

This document is issued by the Company subject to its General Conditions of Service printed overleaf, available on request or accessible at <http://www.sgs.com.tw/Terms-and-Conditions> and for electronic format documents, subject to Terms and Conditions for Electronic Documents at <http://www.sgs.com.tw/Terms-and-Conditions>. Attention is drawn to the limitation of liability, indemnification and jurisdiction issues defined therein. Any holder of this document is advised that information contained herein reflects the Company's findings at the time of its intervention only and within the limits of Client's instructions, if any. The Company's sole responsibility is to its Client and this document does not exonerate parties to a transaction from exercising all their rights and obligations under the transaction documents. This document cannot be reproduced except in full, without prior written approval of the Company. Any unauthorized alteration, forgery or falsification of the content or appearance of this document is unlawful and offenders may be prosecuted to the fullest extent of the law.

SAR are based on recommendations made in both of these documents. The MPE limits in Table 1 are based generally on criteria published by the NCRP in "Biological Effects and Exposure Criteria for Radiofrequency Electromagnetic Fields," NCRP Report No. 86, Sections 17.4.1, 17.4.1.1, 17.4.2 and 17.4.3, copyright 1986 by NCRP, Bethesda, Maryland 20814. In the frequency range from 100 MHz to 1500 MHz, these MPE exposure limits for field strength and power density are also generally based on criteria recommended by the ANSI in [Section 4.1](#) of "IEEE Standard for Safety Levels with Respect to Human Exposure to Radio Frequency Electromagnetic Fields, 3 kHz to 300 GHz," ANSI/IEEE Std C95.1-1992, copyright 1992 by the Institute of Electrical and Electronics Engineers, Inc., New York, New York 10017.

Portable devices that transmit at frequencies above 6 GHz shall be evaluated in terms of the MPE limits specified in Table 1 to [§ 1.1310\(e\)\(1\)](#).

According to ANSI/IEEE C95.1-1992, the criteria listed in the following Table shall be used to evaluate the environmental impact of human exposure to radio frequency (RF) radiation as specified in §1.1310.

Peak Spatially Averaged Power Density was evaluated over a circular area of 4cm² per interim FCC Guidance for near-field power density evaluations per October 2018 TCB Workshop notes

Unless otherwise stated the results shown in this test report refer only to the sample(s) tested and such sample(s) are retained for 90 days only.
除非另有說明，此報告結果僅對測試之樣品負責，同時此樣品僅保留90天。本報告未經本公司書面許可，不可部份複製。

This document is issued by the Company subject to its General Conditions of Service printed overleaf, available on request or accessible at <http://www.sgs.com.tw/Terms-and-Conditions> and for electronic format documents, subject to Terms and Conditions for Electronic Documents at <http://www.sgs.com.tw/Terms-and-Conditions>. Attention is drawn to the limitation of liability, indemnification and jurisdiction issues defined therein. Any holder of this document is advised that information contained hereon reflects the Company's findings at the time of its intervention only and within the limits of Client's instructions, if any. The Company's sole responsibility is to its Client and this document does not exonerate parties to a transaction from exercising all their rights and obligations under the transaction documents. This document cannot be reproduced except in full, without prior written approval of the Company. Any unauthorized alteration, forgery or falsification of the content or appearance of this document is unlawful and offenders may be prosecuted to the fullest extent of the law.

Frequency range (MHz)	Electric field strength (V/m)	Magnetic field strength (A/m)	Power density (mW/cm ²)	Averaging time (minutes)
(i) Limits for Occupational/Controlled Exposure				
0.3-3.0	614	1.63	*(100)	≤6
3.0-30	1842/f	4.89/f	*(900/f ²)	<6
30-300	61.4	0.163	1.0	<6
300-1,500			f/300	<6
1,500-100,000			5	<6
(ii) Limits for General Population/Uncontrolled Exposure				
0.3-1.34	614	1.63	*(100)	<30
1.34-30	824/f	2.19/f	*(180/f ²)	<30
30-300	27.5	0.073	0.2	<30
300-1,500			f/1500	<30
1,500-100,000			1.0	<30

f = frequency in MHz. * = Plane-wave equivalent power density.

Table 1 to [§ 1.1310\(e\)\(1\)](#) - Limits for Maximum Permissible Exposure (MPE)

Unless otherwise stated the results shown in this test report refer only to the sample(s) tested and such sample(s) are retained for 90 days only.

除非另有說明，此報告結果僅對測試之樣品負責，同時此樣品僅保留90天。本報告未經本公司書面許可，不可部份複製。

This document is issued by the Company subject to its General Conditions of Service printed overleaf, available on request or accessible at <http://www.sgs.com.tw/Terms-and-Conditions> and for electronic format documents, subject to Terms and Conditions for Electronic Documents at <http://www.sgs.com.tw/Terms-and-Conditions>. Attention is drawn to the limitation of liability, indemnification and jurisdiction issues defined therein. Any holder of this document is advised that information contained hereon reflects the Company's findings at the time of its intervention only and within the limits of Client's instructions, if any. The Company's sole responsibility is to its Client and this document does not exonerate parties to a transaction from exercising all their rights and obligations under the transaction documents. This document cannot be reproduced except in full, without prior written approval of the Company. Any unauthorized alteration, forgery or falsification of the content or appearance of this document is unlawful and offenders may be prosecuted to the fullest extent of the law.

SGS Taiwan Ltd.

No.134,Wu Kung Road, New Taipei Industrial Park, Wuku District, New Taipei City, Taiwan/新北市五股區新北產業園區五工路 134 號

台灣檢驗科技股份有限公司

t (886-2) 2299-3279

f (886-2) 2298-0488

www.sgs.com.tw

Member of SGS Group

6 MAXIMUM OUTPUT POWER

6.1 WCDMA

Band		WCDMA II		
TX Channel		9262	9400	9538
Frequency (MHz)		1852.4	1880	1907.6
Max. Rated Avg. Power+Max. Tolerance (dBm)		17.50		
3GPP Rel 99	RMC 12.2Kbps	16.72	16.84	16.74
3GPP Rel 5	HSDPA Subtest-1	16.71	16.65	16.66
	HSDPA Subtest-2	16.64	16.77	16.63
	HSDPA Subtest-3	16.72	16.70	16.73
	HSDPA Subtest-4	16.65	16.81	16.71
3GPP Rel 6	HSUPA Subtest-1	16.63	16.66	16.78
	HSUPA Subtest-2	16.71	16.62	16.74
	HSUPA Subtest-3	16.62	16.78	16.73
	HSUPA Subtest-4	16.75	16.76	16.78
	HSUPA Subtest-5	16.72	16.64	16.75
3GPP Rel 7	HSPA+	16.81	16.77	16.71
3GPP Rel 8	DC-HSDPA Subtest-1	16.65	16.72	16.82
	DC-HSDPA Subtest-2	16.76	16.68	16.73
	DC-HSDPA Subtest-3	16.66	16.77	16.64
	DC-HSDPA Subtest-4	16.71	16.70	16.68

Band		WCDMA IV		
TX Channel		1312	1413	1513
Frequency (MHz)		1712.4	1732.6	1752.6
Max. Rated Avg. Power+Max. Tolerance (dBm)		18.50		
3GPP Rel 99	RMC 12.2Kbps	17.97	18.01	18.08
3GPP Rel 5	HSDPA Subtest-1	17.99	17.98	18.03
	HSDPA Subtest-2	18.02	17.98	17.90
	HSDPA Subtest-3	17.89	18.00	18.00
	HSDPA Subtest-4	17.88	18.01	17.92
3GPP Rel 6	HSUPA Subtest-1	17.94	18.02	17.86
	HSUPA Subtest-2	17.90	17.95	18.00
	HSUPA Subtest-3	17.88	17.91	17.92
	HSUPA Subtest-4	17.86	17.94	18.01
	HSUPA Subtest-5	17.99	17.89	17.91
3GPP Rel 7	HSPA+	17.99	17.95	17.94
3GPP Rel 8	DC-HSDPA Subtest-1	18.00	18.06	17.87
	DC-HSDPA Subtest-2	17.99	17.95	17.96
	DC-HSDPA Subtest-3	18.00	18.02	18.03
	DC-HSDPA Subtest-4	18.05	17.99	17.95

Unless otherwise stated the results shown in this test report refer only to the sample(s) tested and such sample(s) are retained for 90 days only.

除非另有說明，此報告結果僅對測試之樣品負責，同時此樣品僅保留90天。本報告未經本公司書面許可，不可部份複製。

This document is issued by the Company subject to its General Conditions of Service printed overleaf, available on request or accessible at <http://www.sgs.com.tw/Terms-and-Conditions> and for electronic format documents, subject to Terms and Conditions for Electronic Documents at <http://www.sgs.com.tw/Terms-and-Conditions>. Attention is drawn to the limitation of liability, indemnification and jurisdiction issues defined therein. Any holder of this document is advised that information contained herein reflects the Company's findings at the time of its intervention only and within the limits of Client's instructions, if any. The Company's sole responsibility is to its Client and this document does not exonerate parties to a transaction from exercising all their rights and obligations under the transaction documents. This document cannot be reproduced except in full, without prior written approval of the Company. Any unauthorized alteration, forgery or falsification of the content or appearance of this document is unlawful and offenders may be prosecuted to the fullest extent of the law.

Band		WCDMA V		
TX Channel		4132	4183	4233
Frequency (MHz)		826.4	836.6	846.6
Max. Rated Avg. Power+Max. Tolerance (dBm)		22.00		
3GPP Rel 99	RMC 12.2Kbps	21.35	21.33	21.30
3GPP Rel 5	HSDPA Subtest-1	21.27	21.27	21.23
	HSDPA Subtest-2	21.22	21.13	21.15
	HSDPA Subtest-3	21.31	21.20	21.18
	HSDPA Subtest-4	21.22	21.23	21.31
3GPP Rel 6	HSUPA Subtest-1	21.14	21.14	21.24
	HSUPA Subtest-2	21.18	21.30	21.29
	HSUPA Subtest-3	21.13	21.29	21.30
	HSUPA Subtest-4	21.20	21.16	21.19
	HSUPA Subtest-5	21.33	21.16	21.15
3GPP Rel 7	HSPA+	21.20	21.32	21.22
3GPP Rel 8	DC-HSDPA Subtest-1	21.25	21.15	21.32
	DC-HSDPA Subtest-2	21.31	21.32	21.20
	DC-HSDPA Subtest-3	21.25	21.32	21.28
	DC-HSDPA Subtest-4	21.14	21.29	21.22

Unless otherwise stated the results shown in this test report refer only to the sample(s) tested and such sample(s) are retained for 90 days only.

除非另有說明，此報告結果僅對測試之樣品負責，同時此樣品僅保留90天。本報告未經本公司書面許可，不可部份複製。

This document is issued by the Company subject to its General Conditions of Service printed overleaf, available on request or accessible at <http://www.sgs.com.tw/Terms-and-Conditions> and for electronic format documents, subject to Terms and Conditions for Electronic Documents at <http://www.sgs.com.tw/Terms-and-Conditions>. Attention is drawn to the limitation of liability, indemnification and jurisdiction issues defined therein. Any holder of this document is advised that information contained hereon reflects the Company's findings at the time of its intervention only and within the limits of Client's instructions, if any. The Company's sole responsibility is to its Client and this document does not exonerate parties to a transaction from exercising all their rights and obligations under the transaction documents. This document cannot be reproduced except in full, without prior written approval of the Company. Any unauthorized alteration, forgery or falsification of the content or appearance of this document is unlawful and offenders may be prosecuted to the fullest extent of the law.

6.2 FDD LTE

ANT 5

LTE Band 2								
BW(MHz)	Modulation	RB Size	RB Offset	Conducted power (dBm)			Target Power + Max. Tolerance (dBm)	MPR Allowed per 3GPP(dB)
Frequency (MHz)				1860	1880	1900		
Channel				18700	18900	19100		
20	QPSK	1	0	16.49	16.42	16.40	17.50	0
		1	50	16.40	16.34	16.26	17.50	0
		1	99	16.29	16.26	16.37	17.50	0
		50	0	16.38	16.44	16.38	17.50	0
		50	25	16.34	16.31	16.35	17.50	0
		50	50	16.26	16.30	16.33	17.50	0
		100	0	16.42	16.32	16.38	17.50	0
20	16-QAM	1	0	16.42	16.31	16.45	17.50	0
		1	50	16.38	16.25	16.41	17.50	0
		1	99	16.33	16.43	16.39	17.50	0
		50	0	16.44	16.33	16.34	17.50	0
		50	25	16.30	16.39	16.33	17.50	0
		50	50	16.40	16.32	16.38	17.50	0
		100	0	16.38	16.42	16.42	17.50	0
20	64-QAM	1	0	16.26	16.43	16.35	17.50	0
		1	50	16.36	16.32	16.41	17.50	0
		1	99	16.38	16.42	16.38	17.50	0
		50	0	16.34	16.33	16.41	17.50	0
		50	25	16.40	16.28	16.35	17.50	0
		50	50	16.34	16.28	16.35	17.50	0
		100	0	16.42	16.35	16.30	17.50	0
20	256-QAM	1	0	16.26	16.41	16.26	17.50	0
		1	50	16.30	16.37	16.28	17.50	0
		1	99	16.41	16.40	16.26	17.50	0
		50	0	16.27	16.38	16.28	17.50	0
		50	25	16.43	16.32	16.27	17.50	0
		50	50	16.43	16.30	16.33	17.50	0
		100	0	16.44	16.29	16.37	17.50	0

Unless otherwise stated the results shown in this test report refer only to the sample(s) tested and such sample(s) are retained for 90 days only.

除非另有說明，此報告結果僅對測試之樣品負責，同時此樣品僅保留90天。本報告未經本公司書面許可，不可部份複製。

This document is issued by the Company subject to its General Conditions of Service printed overleaf, available on request or accessible at <http://www.sgs.com.tw/Terms-and-Conditions> and for electronic format documents, subject to Terms and Conditions for Electronic Documents at <http://www.sgs.com.tw/Terms-and-Conditions>. Attention is drawn to the limitation of liability, indemnification and jurisdiction issues defined therein. Any holder of this document is advised that information contained hereon reflects the Company's findings at the time of its intervention only and within the limits of Client's instructions, if any. The Company's sole responsibility is to its Client and this document does not exonerate parties to a transaction from exercising all their rights and obligations under the transaction documents. This document cannot be reproduced except in full, without prior written approval of the Company. Any unauthorized alteration, forgery or falsification of the content or appearance of this document is unlawful and offenders may be prosecuted to the fullest extent of the law.

LTE Band 2								
BW(MHz)	Modulation	RB Size	RB Offset	Conducted power (dBm)			Target Power + Max. Tolerance (dBm)	MPR Allowed per 3GPP(dB)
Frequency (MHz)				1857.5	1880	1902.5		
Channel				18675	18900	19125		
15	QPSK	1	0	16.48	16.48	16.45	17.50	0
		1	36	16.26	16.26	16.42	17.50	0
		1	74	16.38	16.40	16.42	17.50	0
		36	0	16.36	16.41	16.29	17.50	0
		36	18	16.26	16.25	16.27	17.50	0
		36	37	16.25	16.41	16.44	17.50	0
		75	0	16.38	16.42	16.30	17.50	0
15	16-QAM	1	0	16.41	16.27	16.42	17.50	0
		1	36	16.34	16.40	16.36	17.50	0
		1	74	16.36	16.28	16.41	17.50	0
		36	0	16.43	16.31	16.30	17.50	0
		36	18	16.40	16.29	16.42	17.50	0
		36	37	16.30	16.42	16.40	17.50	0
		75	0	16.39	16.44	16.31	17.50	0
15	64-QAM	1	0	16.44	16.30	16.36	17.50	0
		1	36	16.41	16.36	16.26	17.50	0
		1	74	16.25	16.28	16.42	17.50	0
		36	0	16.36	16.28	16.29	17.50	0
		36	18	16.42	16.32	16.27	17.50	0
		36	37	16.26	16.39	16.37	17.50	0
		75	0	16.38	16.26	16.41	17.50	0
15	256-QAM	1	0	16.42	16.40	16.29	17.50	0
		1	36	16.42	16.32	16.40	17.50	0
		1	74	16.34	16.30	16.39	17.50	0
		36	0	16.39	16.26	16.39	17.50	0
		36	18	16.38	16.25	16.31	17.50	0
		36	37	16.32	16.43	16.34	17.50	0
		75	0	16.38	16.45	16.41	17.50	0

Unless otherwise stated the results shown in this test report refer only to the sample(s) tested and such sample(s) are retained for 90 days only.

除非另有說明，此報告結果僅對測試之樣品負責，同時此樣品僅保留90天。本報告未經本公司書面許可，不可部份複製。

This document is issued by the Company subject to its General Conditions of Service printed overleaf, available on request or accessible at <http://www.sgs.com.tw/Terms-and-Conditions> and for electronic format documents, subject to Terms and Conditions for Electronic Documents at <http://www.sgs.com.tw/Terms-and-Conditions>. Attention is drawn to the limitation of liability, indemnification and jurisdiction issues defined therein. Any holder of this document is advised that information contained hereon reflects the Company's findings at the time of its intervention only and within the limits of Client's instructions, if any. The Company's sole responsibility is to its Client and this document does not exonerate parties to a transaction from exercising all their rights and obligations under the transaction documents. This document cannot be reproduced except in full, without prior written approval of the Company. Any unauthorized alteration, forgery or falsification of the content or appearance of this document is unlawful and offenders may be prosecuted to the fullest extent of the law.

LTE Band 2								
BW(MHz)	Modulation	RB Size	RB Offset	Conducted power (dBm)			Target Power + Max. Tolerance (dBm)	MPR Allowed per 3GPP(dB)
Frequency (MHz)				1855	1880	1905		
Channel				18650	18900	19150		
10	QPSK	1	0	16.25	16.37	16.35	17.50	0
		1	25	16.45	16.38	16.36	17.50	0
		1	49	16.39	16.32	16.26	17.50	0
		25	0	16.40	16.33	16.35	17.50	0
		25	12	16.34	16.34	16.42	17.50	0
		25	25	16.42	16.25	16.28	17.50	0
		50	0	16.44	16.39	16.26	17.50	0
10	16-QAM	1	0	16.28	16.45	16.43	17.50	0
		1	25	16.33	16.40	16.39	17.50	0
		1	49	16.44	16.26	16.34	17.50	0
		25	0	16.41	16.30	16.43	17.50	0
		25	12	16.32	16.41	16.31	17.50	0
		25	25	16.35	16.42	16.33	17.50	0
		50	0	16.30	16.26	16.40	17.50	0
10	64-QAM	1	0	16.25	16.40	16.33	17.50	0
		1	25	16.35	16.42	16.44	17.50	0
		1	49	16.33	16.26	16.35	17.50	0
		25	0	16.28	16.32	16.36	17.50	0
		25	12	16.33	16.26	16.43	17.50	0
		25	25	16.29	16.28	16.35	17.50	0
		50	0	16.29	16.34	16.43	17.50	0
10	256-QAM	1	0	16.44	16.32	16.26	17.50	0
		1	25	16.33	16.32	16.42	17.50	0
		1	49	16.41	16.45	16.44	17.50	0
		25	0	16.28	16.35	16.42	17.50	0
		25	12	16.43	16.40	16.41	17.50	0
		25	25	16.28	16.40	16.37	17.50	0
		50	0	16.30	16.27	16.31	17.50	0

Unless otherwise stated the results shown in this test report refer only to the sample(s) tested and such sample(s) are retained for 90 days only.

除非另有說明，此報告結果僅對測試之樣品負責，同時此樣品僅保留90天。本報告未經本公司書面許可，不可部份複製。

This document is issued by the Company subject to its General Conditions of Service printed overleaf, available on request or accessible at <http://www.sgs.com.tw/Terms-and-Conditions> and for electronic format documents, subject to Terms and Conditions for Electronic Documents at <http://www.sgs.com.tw/Terms-and-Conditions>. Attention is drawn to the limitation of liability, indemnification and jurisdiction issues defined therein. Any holder of this document is advised that information contained hereon reflects the Company's findings at the time of its intervention only and within the limits of Client's instructions, if any. The Company's sole responsibility is to its Client and this document does not exonerate parties to a transaction from exercising all their rights and obligations under the transaction documents. This document cannot be reproduced except in full, without prior written approval of the Company. Any unauthorized alteration, forgery or falsification of the content or appearance of this document is unlawful and offenders may be prosecuted to the fullest extent of the law.

LTE Band 2								
BW(MHz)	Modulation	RB Size	RB Offset	Conducted power (dBm)			Target Power + Max. Tolerance (dBm)	MPR Allowed per 3GPP(dB)
Frequency (MHz)				1852.5	1880	1907.5		
Channel				18625	18900	19175		
5	QPSK	1	0	16.38	16.34	16.30	17.50	0
		1	12	16.32	16.34	16.27	17.50	0
		1	24	16.41	16.29	16.29	17.50	0
		12	0	16.40	16.43	16.38	17.50	0
		12	6	16.31	16.35	16.38	17.50	0
		12	13	16.38	16.43	16.44	17.50	0
		25	0	16.30	16.40	16.28	17.50	0
5	16-QAM	1	0	16.34	16.28	16.44	17.50	0
		1	12	16.36	16.39	16.28	17.50	0
		1	24	16.30	16.27	16.40	17.50	0
		12	0	16.41	16.29	16.33	17.50	0
		12	6	16.31	16.29	16.30	17.50	0
		12	13	16.36	16.35	16.31	17.50	0
		25	0	16.44	16.37	16.37	17.50	0
5	64-QAM	1	0	16.33	16.44	16.29	17.50	0
		1	12	16.31	16.26	16.35	17.50	0
		1	24	16.29	16.45	16.37	17.50	0
		12	0	16.32	16.34	16.41	17.50	0
		12	6	16.37	16.38	16.39	17.50	0
		12	13	16.40	16.44	16.31	17.50	0
		25	0	16.32	16.27	16.29	17.50	0
5	256-QAM	1	0	16.38	16.37	16.45	17.50	0
		1	12	16.40	16.32	16.29	17.50	0
		1	24	16.41	16.44	16.36	17.50	0
		12	0	16.41	16.40	16.34	17.50	0
		12	6	16.34	16.28	16.37	17.50	0
		12	13	16.26	16.38	16.39	17.50	0
		25	0	16.36	16.42	16.26	17.50	0

Unless otherwise stated the results shown in this test report refer only to the sample(s) tested and such sample(s) are retained for 90 days only.

除非另有說明，此報告結果僅對測試之樣品負責，同時此樣品僅保留90天。本報告未經本公司書面許可，不可部份複製。

This document is issued by the Company subject to its General Conditions of Service printed overleaf, available on request or accessible at <http://www.sgs.com.tw/Terms-and-Conditions> and for electronic format documents, subject to Terms and Conditions for Electronic Documents at <http://www.sgs.com.tw/Terms-and-Conditions>. Attention is drawn to the limitation of liability, indemnification and jurisdiction issues defined therein. Any holder of this document is advised that information contained hereon reflects the Company's findings at the time of its intervention only and within the limits of Client's instructions, if any. The Company's sole responsibility is to its Client and this document does not exonerate parties to a transaction from exercising all their rights and obligations under the transaction documents. This document cannot be reproduced except in full, without prior written approval of the Company. Any unauthorized alteration, forgery or falsification of the content or appearance of this document is unlawful and offenders may be prosecuted to the fullest extent of the law.

LTE Band 2								
BW(MHz)	Modulation	RB Size	RB Offset	Conducted power (dBm)			Target Power + Max. Tolerance (dBm)	MPR Allowed per 3GPP(dB)
Frequency (MHz)				1851.5	1880	1908.5		
Channel				18615	18900	19185		
3	QPSK	1	0	16.34	16.37	16.29	17.50	0
		1	7	16.41	16.44	16.36	17.50	0
		1	14	16.43	16.39	16.36	17.50	0
		8	0	16.43	16.27	16.31	17.50	0
		8	4	16.36	16.27	16.38	17.50	0
		8	7	16.27	16.34	16.31	17.50	0
		15	0	16.45	16.34	16.42	17.50	0
3	16-QAM	1	0	16.43	16.41	16.35	17.50	0
		1	7	16.39	16.43	16.39	17.50	0
		1	14	16.44	16.26	16.37	17.50	0
		8	0	16.32	16.41	16.37	17.50	0
		8	4	16.33	16.37	16.38	17.50	0
		8	7	16.39	16.43	16.33	17.50	0
		15	0	16.38	16.34	16.29	17.50	0
3	64-QAM	1	0	16.33	16.44	16.36	17.50	0
		1	7	16.32	16.31	16.41	17.50	0
		1	14	16.38	16.39	16.39	17.50	0
		8	0	16.29	16.44	16.36	17.50	0
		8	4	16.29	16.35	16.36	17.50	0
		8	7	16.29	16.43	16.41	17.50	0
		15	0	16.39	16.37	16.30	17.50	0
3	256-QAM	1	0	16.44	16.25	16.27	17.50	0
		1	7	16.30	16.44	16.29	17.50	0
		1	14	16.32	16.39	16.27	17.50	0
		8	0	16.28	16.26	16.33	17.50	0
		8	4	16.32	16.27	16.45	17.50	0
		8	7	16.40	16.29	16.32	17.50	0
		15	0	16.29	16.35	16.42	17.50	0

Unless otherwise stated the results shown in this test report refer only to the sample(s) tested and such sample(s) are retained for 90 days only.

除非另有說明，此報告結果僅對測試之樣品負責，同時此樣品僅保留90天。本報告未經本公司書面許可，不可部份複製。

This document is issued by the Company subject to its General Conditions of Service printed overleaf, available on request or accessible at <http://www.sgs.com.tw/Terms-and-Conditions> and for electronic format documents, subject to Terms and Conditions for Electronic Documents at <http://www.sgs.com.tw/Terms-and-Conditions>. Attention is drawn to the limitation of liability, indemnification and jurisdiction issues defined therein. Any holder of this document is advised that information contained hereon reflects the Company's findings at the time of its intervention only and within the limits of Client's instructions, if any. The Company's sole responsibility is to its Client and this document does not exonerate parties to a transaction from exercising all their rights and obligations under the transaction documents. This document cannot be reproduced except in full, without prior written approval of the Company. Any unauthorized alteration, forgery or falsification of the content or appearance of this document is unlawful and offenders may be prosecuted to the fullest extent of the law.

LTE Band 2								
BW(MHz)	Modulation	RB Size	RB Offset	Conducted power (dBm)			Target Power + Max. Tolerance (dBm)	MPR Allowed per 3GPP(dB)
Frequency (MHz)				1850.7	1880	1909.3		
Channel				18607	18900	19193		
1.4	QPSK	1	0	16.37	16.26	16.37	17.50	0
		1	2	16.34	16.27	16.25	17.50	0
		1	5	16.44	16.33	16.37	17.50	0
		3	0	16.42	16.32	16.33	17.50	0
		3	2	16.26	16.44	16.34	17.50	0
		3	3	16.35	16.27	16.44	17.50	0
		6	0	16.39	16.43	16.29	17.50	0
1.4	16-QAM	1	0	16.44	16.32	16.36	17.50	0
		1	2	16.31	16.33	16.27	17.50	0
		1	5	16.25	16.30	16.37	17.50	0
		3	0	16.34	16.42	16.43	17.50	0
		3	2	16.29	16.38	16.28	17.50	0
		3	3	16.43	16.37	16.35	17.50	0
		6	0	16.44	16.28	16.25	17.50	0
1.4	64-QAM	1	0	16.34	16.43	16.39	17.50	0
		1	2	16.31	16.34	16.33	17.50	0
		1	5	16.35	16.38	16.36	17.50	0
		3	0	16.28	16.43	16.26	17.50	0
		3	2	16.27	16.29	16.34	17.50	0
		3	3	16.26	16.32	16.42	17.50	0
		6	0	16.42	16.27	16.27	17.50	0
1.4	256-QAM	1	0	16.35	16.37	16.37	17.50	0
		1	2	16.40	16.28	16.41	17.50	0
		1	5	16.35	16.42	16.25	17.50	0
		3	0	16.44	16.45	16.33	17.50	0
		3	2	16.35	16.35	16.41	17.50	0
		3	3	16.33	16.45	16.30	17.50	0
		6	0	16.37	16.37	16.36	17.50	0

Unless otherwise stated the results shown in this test report refer only to the sample(s) tested and such sample(s) are retained for 90 days only.

除非另有說明，此報告結果僅對測試之樣品負責，同時此樣品僅保留90天。本報告未經本公司書面許可，不可部份複製。

This document is issued by the Company subject to its General Conditions of Service printed overleaf, available on request or accessible at <http://www.sgs.com.tw/Terms-and-Conditions> and for electronic format documents, subject to Terms and Conditions for Electronic Documents at <http://www.sgs.com.tw/Terms-and-Conditions>. Attention is drawn to the limitation of liability, indemnification and jurisdiction issues defined therein. Any holder of this document is advised that information contained hereon reflects the Company's findings at the time of its intervention only and within the limits of Client's instructions, if any. The Company's sole responsibility is to its Client and this document does not exonerate parties to a transaction from exercising all their rights and obligations under the transaction documents. This document cannot be reproduced except in full, without prior written approval of the Company. Any unauthorized alteration, forgery or falsification of the content or appearance of this document is unlawful and offenders may be prosecuted to the fullest extent of the law.

LTE Band 4								
BW(MHz)	Modulation	RB Size	RB Offset	Conducted power (dBm)			Target Power + Max. Tolerance (dBm)	MPR Allowed per 3GPP(dB)
Frequency (MHz)				1720	1732.5	1745		
Channel				20050	20175	20300		
20	QPSK	1	0	17.64	17.66	17.63	18.50	0
		1	50	17.59	17.59	17.44	18.50	0
		1	99	17.45	17.46	17.47	18.50	0
		50	0	17.60	17.58	17.63	18.50	0
		50	25	17.58	17.54	17.46	18.50	0
		50	50	17.51	17.50	17.47	18.50	0
		100	0	17.62	17.61	17.56	18.50	0
20	16-QAM	1	0	17.62	17.58	17.51	18.50	0
		1	50	17.52	17.51	17.46	18.50	0
		1	99	17.56	17.44	17.49	18.50	0
		50	0	17.60	17.51	17.48	18.50	0
		50	25	17.48	17.57	17.49	18.50	0
		50	50	17.50	17.63	17.56	18.50	0
		100	0	17.57	17.47	17.54	18.50	0
20	64-QAM	1	0	17.45	17.49	17.51	18.50	0
		1	50	17.56	17.56	17.60	18.50	0
		1	99	17.61	17.57	17.57	18.50	0
		50	0	17.62	17.57	17.44	18.50	0
		50	25	17.55	17.52	17.56	18.50	0
		50	50	17.43	17.55	17.51	18.50	0
		100	0	17.59	17.59	17.56	18.50	0
20	256-QAM	1	0	17.46	17.63	17.60	18.50	0
		1	50	17.60	17.49	17.43	18.50	0
		1	99	17.55	17.52	17.55	18.50	0
		50	0	17.61	17.44	17.56	18.50	0
		50	25	17.46	17.48	17.55	18.50	0
		50	50	17.62	17.43	17.63	18.50	0
		100	0	17.59	17.44	17.45	18.50	0

Unless otherwise stated the results shown in this test report refer only to the sample(s) tested and such sample(s) are retained for 90 days only.

除非另有說明，此報告結果僅對測試之樣品負責，同時此樣品僅保留90天。本報告未經本公司書面許可，不可部份複製。

This document is issued by the Company subject to its General Conditions of Service printed overleaf, available on request or accessible at <http://www.sgs.com.tw/Terms-and-Conditions> and for electronic format documents, subject to Terms and Conditions for Electronic Documents at <http://www.sgs.com.tw/Terms-and-Conditions>. Attention is drawn to the limitation of liability, indemnification and jurisdiction issues defined therein. Any holder of this document is advised that information contained hereon reflects the Company's findings at the time of its intervention only and within the limits of Client's instructions, if any. The Company's sole responsibility is to its Client and this document does not exonerate parties to a transaction from exercising all their rights and obligations under the transaction documents. This document cannot be reproduced except in full, without prior written approval of the Company. Any unauthorized alteration, forgery or falsification of the content or appearance of this document is unlawful and offenders may be prosecuted to the fullest extent of the law.

LTE Band 4								
BW(MHz)	Modulation	RB Size	RB Offset	Conducted power (dBm)			Target Power + Max. Tolerance (dBm)	MPR Allowed per 3GPP(dB)
Frequency (MHz)				1717.5	1732.5	1747.5		
Channel				20025	20175	20325		
15	QPSK	1	0	17.58	17.60	17.56	18.50	0
		1	36	17.50	17.62	17.46	18.50	0
		1	74	17.47	17.43	17.51	18.50	0
		36	0	17.43	17.50	17.46	18.50	0
		36	18	17.46	17.50	17.45	18.50	0
		36	37	17.44	17.51	17.55	18.50	0
		75	0	17.61	17.56	17.52	18.50	0
15	16-QAM	1	0	17.61	17.56	17.49	18.50	0
		1	36	17.53	17.55	17.51	18.50	0
		1	74	17.49	17.59	17.52	18.50	0
		36	0	17.62	17.46	17.48	18.50	0
		36	18	17.55	17.60	17.54	18.50	0
		36	37	17.48	17.54	17.44	18.50	0
		75	0	17.48	17.51	17.57	18.50	0
15	64-QAM	1	0	17.44	17.52	17.61	18.50	0
		1	36	17.45	17.55	17.59	18.50	0
		1	74	17.46	17.50	17.53	18.50	0
		36	0	17.54	17.55	17.58	18.50	0
		36	18	17.46	17.54	17.45	18.50	0
		36	37	17.52	17.53	17.62	18.50	0
		75	0	17.49	17.61	17.51	18.50	0
15	256-QAM	1	0	17.44	17.49	17.55	18.50	0
		1	36	17.61	17.49	17.55	18.50	0
		1	74	17.54	17.51	17.54	18.50	0
		36	0	17.53	17.61	17.51	18.50	0
		36	18	17.55	17.43	17.54	18.50	0
		36	37	17.52	17.49	17.44	18.50	0
		75	0	17.47	17.53	17.49	18.50	0

Unless otherwise stated the results shown in this test report refer only to the sample(s) tested and such sample(s) are retained for 90 days only.

除非另有說明，此報告結果僅對測試之樣品負責，同時此樣品僅保留90天。本報告未經本公司書面許可，不可部份複製。

This document is issued by the Company subject to its General Conditions of Service printed overleaf, available on request or accessible at <http://www.sgs.com.tw/Terms-and-Conditions> and for electronic format documents, subject to Terms and Conditions for Electronic Documents at <http://www.sgs.com.tw/Terms-and-Conditions>. Attention is drawn to the limitation of liability, indemnification and jurisdiction issues defined therein. Any holder of this document is advised that information contained hereon reflects the Company's findings at the time of its intervention only and within the limits of Client's instructions, if any. The Company's sole responsibility is to its Client and this document does not exonerate parties to a transaction from exercising all their rights and obligations under the transaction documents. This document cannot be reproduced except in full, without prior written approval of the Company. Any unauthorized alteration, forgery or falsification of the content or appearance of this document is unlawful and offenders may be prosecuted to the fullest extent of the law.

LTE Band 4								
BW(MHz)	Modulation	RB Size	RB Offset	Conducted power (dBm)			Target Power + Max. Tolerance (dBm)	MPR Allowed per 3GPP(dB)
Frequency (MHz)				1715	1732.5	1750		
Channel				20000	20175	20350		
10	QPSK	1	0	17.56	17.45	17.46	18.50	0
		1	25	17.45	17.48	17.53	18.50	0
		1	49	17.56	17.44	17.57	18.50	0
		25	0	17.59	17.53	17.58	18.50	0
		25	12	17.59	17.44	17.53	18.50	0
		25	25	17.51	17.52	17.57	18.50	0
		50	0	17.51	17.46	17.44	18.50	0
10	16-QAM	1	0	17.60	17.63	17.54	18.50	0
		1	25	17.55	17.52	17.48	18.50	0
		1	49	17.59	17.57	17.50	18.50	0
		25	0	17.53	17.59	17.45	18.50	0
		25	12	17.46	17.53	17.53	18.50	0
		25	25	17.47	17.60	17.62	18.50	0
		50	0	17.62	17.57	17.59	18.50	0
10	64-QAM	1	0	17.54	17.46	17.56	18.50	0
		1	25	17.59	17.46	17.60	18.50	0
		1	49	17.44	17.46	17.57	18.50	0
		25	0	17.59	17.57	17.44	18.50	0
		25	12	17.46	17.48	17.57	18.50	0
		25	25	17.57	17.58	17.58	18.50	0
		50	0	17.54	17.55	17.50	18.50	0
10	256-QAM	1	0	17.44	17.52	17.46	18.50	0
		1	25	17.52	17.47	17.62	18.50	0
		1	49	17.47	17.57	17.51	18.50	0
		25	0	17.50	17.47	17.48	18.50	0
		25	12	17.45	17.62	17.46	18.50	0
		25	25	17.45	17.58	17.49	18.50	0
		50	0	17.43	17.51	17.44	18.50	0

Unless otherwise stated the results shown in this test report refer only to the sample(s) tested and such sample(s) are retained for 90 days only.

除非另有說明，此報告結果僅對測試之樣品負責，同時此樣品僅保留90天。本報告未經本公司書面許可，不可部份複製。

This document is issued by the Company subject to its General Conditions of Service printed overleaf, available on request or accessible at <http://www.sgs.com.tw/Terms-and-Conditions> and for electronic format documents, subject to Terms and Conditions for Electronic Documents at <http://www.sgs.com.tw/Terms-and-Conditions>. Attention is drawn to the limitation of liability, indemnification and jurisdiction issues defined therein. Any holder of this document is advised that information contained hereon reflects the Company's findings at the time of its intervention only and within the limits of Client's instructions, if any. The Company's sole responsibility is to its Client and this document does not exonerate parties to a transaction from exercising all their rights and obligations under the transaction documents. This document cannot be reproduced except in full, without prior written approval of the Company. Any unauthorized alteration, forgery or falsification of the content or appearance of this document is unlawful and offenders may be prosecuted to the fullest extent of the law.

LTE Band 4								
BW(MHz)	Modulation	RB Size	RB Offset	Conducted power (dBm)			Target Power + Max. Tolerance (dBm)	MPR Allowed per 3GPP(dB)
Frequency (MHz)				1712.5	1732.5	1752.5		
Channel				19975	20175	20375		
5	QPSK	1	0	17.46	17.61	17.51	18.50	0
		1	12	17.57	17.57	17.55	18.50	0
		1	24	17.53	17.50	17.45	18.50	0
		12	0	17.54	17.61	17.49	18.50	0
		12	6	17.48	17.57	17.51	18.50	0
		12	13	17.51	17.62	17.56	18.50	0
		25	0	17.50	17.56	17.50	18.50	0
5	16-QAM	1	0	17.46	17.48	17.58	18.50	0
		1	12	17.58	17.53	17.58	18.50	0
		1	24	17.61	17.60	17.61	18.50	0
		12	0	17.46	17.54	17.59	18.50	0
		12	6	17.53	17.50	17.53	18.50	0
		12	13	17.57	17.51	17.57	18.50	0
		25	0	17.58	17.53	17.50	18.50	0
5	64-QAM	1	0	17.56	17.44	17.55	18.50	0
		1	12	17.50	17.57	17.52	18.50	0
		1	24	17.48	17.55	17.62	18.50	0
		12	0	17.59	17.63	17.48	18.50	0
		12	6	17.54	17.49	17.52	18.50	0
		12	13	17.54	17.57	17.58	18.50	0
		25	0	17.62	17.51	17.53	18.50	0
5	256-QAM	1	0	17.49	17.52	17.53	18.50	0
		1	12	17.51	17.52	17.52	18.50	0
		1	24	17.46	17.51	17.60	18.50	0
		12	0	17.46	17.48	17.45	18.50	0
		12	6	17.55	17.60	17.51	18.50	0
		12	13	17.58	17.63	17.61	18.50	0
		25	0	17.57	17.55	17.55	18.50	0

Unless otherwise stated the results shown in this test report refer only to the sample(s) tested and such sample(s) are retained for 90 days only.

除非另有說明，此報告結果僅對測試之樣品負責，同時此樣品僅保留90天。本報告未經本公司書面許可，不可部份複製。

This document is issued by the Company subject to its General Conditions of Service printed overleaf, available on request or accessible at <http://www.sgs.com.tw/Terms-and-Conditions> and for electronic format documents, subject to Terms and Conditions for Electronic Documents at <http://www.sgs.com.tw/Terms-and-Conditions>. Attention is drawn to the limitation of liability, indemnification and jurisdiction issues defined therein. Any holder of this document is advised that information contained hereon reflects the Company's findings at the time of its intervention only and within the limits of Client's instructions, if any. The Company's sole responsibility is to its Client and this document does not exonerate parties to a transaction from exercising all their rights and obligations under the transaction documents. This document cannot be reproduced except in full, without prior written approval of the Company. Any unauthorized alteration, forgery or falsification of the content or appearance of this document is unlawful and offenders may be prosecuted to the fullest extent of the law.

LTE Band 4								
BW(MHz)	Modulation	RB Size	RB Offset	Conducted power (dBm)			Target Power + Max. Tolerance (dBm)	MPR Allowed per 3GPP(dB)
Frequency (MHz)				1711.5	1732.5	1753.5		
Channel				19965	20175	20385		
3	QPSK	1	0	17.43	17.53	17.46	18.50	0
		1	7	17.62	17.51	17.57	18.50	0
		1	14	17.48	17.44	17.55	18.50	0
		8	0	17.61	17.53	17.59	18.50	0
		8	4	17.43	17.55	17.60	18.50	0
		8	7	17.51	17.53	17.51	18.50	0
		15	0	17.55	17.51	17.44	18.50	0
3	16-QAM	1	0	17.43	17.59	17.51	18.50	0
		1	7	17.57	17.57	17.61	18.50	0
		1	14	17.49	17.54	17.60	18.50	0
		8	0	17.50	17.46	17.60	18.50	0
		8	4	17.63	17.57	17.62	18.50	0
		8	7	17.61	17.46	17.53	18.50	0
		15	0	17.51	17.62	17.47	18.50	0
3	64-QAM	1	0	17.56	17.56	17.50	18.50	0
		1	7	17.60	17.43	17.58	18.50	0
		1	14	17.60	17.61	17.55	18.50	0
		8	0	17.46	17.51	17.60	18.50	0
		8	4	17.58	17.46	17.59	18.50	0
		8	7	17.58	17.60	17.51	18.50	0
		15	0	17.43	17.55	17.57	18.50	0
3	256-QAM	1	0	17.55	17.60	17.47	18.50	0
		1	7	17.53	17.62	17.54	18.50	0
		1	14	17.61	17.48	17.52	18.50	0
		8	0	17.63	17.60	17.48	18.50	0
		8	4	17.57	17.56	17.45	18.50	0
		8	7	17.51	17.48	17.56	18.50	0
		15	0	17.49	17.46	17.55	18.50	0

Unless otherwise stated the results shown in this test report refer only to the sample(s) tested and such sample(s) are retained for 90 days only.

除非另有說明，此報告結果僅對測試之樣品負責，同時此樣品僅保留90天。本報告未經本公司書面許可，不可部份複製。

This document is issued by the Company subject to its General Conditions of Service printed overleaf, available on request or accessible at <http://www.sgs.com.tw/Terms-and-Conditions> and for electronic format documents, subject to Terms and Conditions for Electronic Documents at <http://www.sgs.com.tw/Terms-and-Conditions>. Attention is drawn to the limitation of liability, indemnification and jurisdiction issues defined therein. Any holder of this document is advised that information contained hereon reflects the Company's findings at the time of its intervention only and within the limits of Client's instructions, if any. The Company's sole responsibility is to its Client and this document does not exonerate parties to a transaction from exercising all their rights and obligations under the transaction documents. This document cannot be reproduced except in full, without prior written approval of the Company. Any unauthorized alteration, forgery or falsification of the content or appearance of this document is unlawful and offenders may be prosecuted to the fullest extent of the law.

LTE Band 4								
BW(MHz)	Modulation	RB Size	RB Offset	Conducted power (dBm)			Target Power + Max. Tolerance (dBm)	MPR Allowed per 3GPP(dB)
Frequency (MHz)				1710.7	1732.5	1754.3		
Channel				19957	20175	20393		
1.4	QPSK	1	0	17.63	17.48	17.56	18.50	0
		1	2	17.57	17.61	17.58	18.50	0
		1	5	17.51	17.56	17.51	18.50	0
		3	0	17.49	17.62	17.50	18.50	0
		3	2	17.62	17.50	17.52	18.50	0
		3	3	17.46	17.59	17.59	18.50	0
		6	0	17.43	17.57	17.56	18.50	0
1.4	16-QAM	1	0	17.57	17.60	17.49	18.50	0
		1	2	17.46	17.61	17.53	18.50	0
		1	5	17.59	17.52	17.57	18.50	0
		3	0	17.54	17.60	17.61	18.50	0
		3	2	17.53	17.49	17.46	18.50	0
		3	3	17.51	17.44	17.55	18.50	0
		6	0	17.47	17.48	17.56	18.50	0
1.4	64-QAM	1	0	17.54	17.56	17.52	18.50	0
		1	2	17.54	17.61	17.56	18.50	0
		1	5	17.49	17.51	17.51	18.50	0
		3	0	17.51	17.55	17.58	18.50	0
		3	2	17.58	17.57	17.58	18.50	0
		3	3	17.61	17.61	17.52	18.50	0
		6	0	17.50	17.50	17.55	18.50	0
1.4	256-QAM	1	0	17.51	17.48	17.44	18.50	0
		1	2	17.49	17.59	17.55	18.50	0
		1	5	17.63	17.53	17.52	18.50	0
		3	0	17.47	17.45	17.57	18.50	0
		3	2	17.57	17.55	17.49	18.50	0
		3	3	17.53	17.44	17.63	18.50	0
		6	0	17.57	17.48	17.56	18.50	0

Unless otherwise stated the results shown in this test report refer only to the sample(s) tested and such sample(s) are retained for 90 days only.

除非另有說明，此報告結果僅對測試之樣品負責，同時此樣品僅保留90天。本報告未經本公司書面許可，不可部份複製。

This document is issued by the Company subject to its General Conditions of Service printed overleaf, available on request or accessible at <http://www.sgs.com.tw/Terms-and-Conditions> and for electronic format documents, subject to Terms and Conditions for Electronic Documents at <http://www.sgs.com.tw/Terms-and-Conditions>. Attention is drawn to the limitation of liability, indemnification and jurisdiction issues defined therein. Any holder of this document is advised that information contained hereon reflects the Company's findings at the time of its intervention only and within the limits of Client's instructions, if any. The Company's sole responsibility is to its Client and this document does not exonerate parties to a transaction from exercising all their rights and obligations under the transaction documents. This document cannot be reproduced except in full, without prior written approval of the Company. Any unauthorized alteration, forgery or falsification of the content or appearance of this document is unlawful and offenders may be prosecuted to the fullest extent of the law.

LTE Band 5								
BW(MHz)	Modulation	RB Size	RB Offset	Conducted power (dBm)			Target Power + Max. Tolerance (dBm)	MPR Allowed per 3GPP(dB)
Frequency (MHz)				829	836.5	844		
Channel				20450	20525	20600		
10	QPSK	1	0	21.71	21.72	21.68	22.00	0
		1	25	21.69	21.59	21.51	22.00	0
		1	49	21.55	21.64	21.63	22.00	0
		25	0	21.50	21.58	21.58	22.00	0
		25	12	21.59	21.62	21.65	22.00	0
		25	25	21.59	21.58	21.62	22.00	0
		50	0	21.66	21.67	21.52	22.00	0
10	16-QAM	1	0	21.50	21.59	21.65	22.00	0
		1	25	21.68	21.61	21.53	22.00	0
		1	49	21.60	21.54	21.59	22.00	0
		25	0	21.52	21.66	21.51	22.00	0
		25	12	21.58	21.61	21.55	22.00	0
		25	25	21.63	21.68	21.61	22.00	0
		50	0	21.56	21.58	21.51	22.00	0
10	64-QAM	1	0	21.66	21.57	21.67	22.00	0
		1	25	21.70	21.69	21.51	22.00	0
		1	49	21.63	21.67	21.57	22.00	0
		25	0	21.60	21.68	21.59	22.00	0
		25	12	21.70	21.66	21.56	22.00	0
		25	25	21.69	21.61	21.58	22.00	0
		50	0	21.58	21.54	21.55	22.00	0
10	256-QAM	1	0	21.68	21.60	21.65	22.00	0
		1	25	21.64	21.67	21.56	22.00	0
		1	49	21.55	21.56	21.59	22.00	0
		25	0	21.60	21.53	21.53	22.00	0
		25	12	21.64	21.67	21.52	22.00	0
		25	25	21.51	21.54	21.65	22.00	0
		50	0	21.62	21.57	21.57	22.00	0

Unless otherwise stated the results shown in this test report refer only to the sample(s) tested and such sample(s) are retained for 90 days only.

除非另有說明，此報告結果僅對測試之樣品負責，同時此樣品僅保留90天。本報告未經本公司書面許可，不可部份複製。

This document is issued by the Company subject to its General Conditions of Service printed overleaf, available on request or accessible at <http://www.sgs.com.tw/Terms-and-Conditions> and for electronic format documents, subject to Terms and Conditions for Electronic Documents at <http://www.sgs.com.tw/Terms-and-Conditions>. Attention is drawn to the limitation of liability, indemnification and jurisdiction issues defined therein. Any holder of this document is advised that information contained hereon reflects the Company's findings at the time of its intervention only and within the limits of Client's instructions, if any. The Company's sole responsibility is to its Client and this document does not exonerate parties to a transaction from exercising all their rights and obligations under the transaction documents. This document cannot be reproduced except in full, without prior written approval of the Company. Any unauthorized alteration, forgery or falsification of the content or appearance of this document is unlawful and offenders may be prosecuted to the fullest extent of the law.

LTE Band 5								
BW(MHz)	Modulation	RB Size	RB Offset	Conducted power (dBm)			Target Power + Max. Tolerance (dBm)	MPR Allowed per 3GPP(dB)
Frequency (MHz)				826.5	836.5	846.5		
Channel				20425	20525	20625		
5	QPSK	1	0	21.69	21.52	21.66	22.00	0
		1	12	21.56	21.69	21.55	22.00	0
		1	24	21.66	21.55	21.51	22.00	0
		12	0	21.67	21.57	21.52	22.00	0
		12	6	21.59	21.69	21.67	22.00	0
		12	13	21.64	21.60	21.61	22.00	0
		25	0	21.64	21.63	21.51	22.00	0
5	16-QAM	1	0	21.67	21.67	21.52	22.00	0
		1	12	21.51	21.65	21.69	22.00	0
		1	24	21.64	21.52	21.51	22.00	0
		12	0	21.58	21.67	21.53	22.00	0
		12	6	21.52	21.50	21.69	22.00	0
		12	13	21.53	21.69	21.67	22.00	0
		25	0	21.55	21.67	21.59	22.00	0
5	64-QAM	1	0	21.67	21.66	21.63	22.00	0
		1	12	21.52	21.61	21.57	22.00	0
		1	24	21.58	21.52	21.53	22.00	0
		12	0	21.55	21.67	21.59	22.00	0
		12	6	21.69	21.68	21.68	22.00	0
		12	13	21.52	21.61	21.61	22.00	0
		25	0	21.66	21.53	21.64	22.00	0
5	256-QAM	1	0	21.59	21.59	21.67	22.00	0
		1	12	21.58	21.57	21.64	22.00	0
		1	24	21.70	21.52	21.68	22.00	0
		12	0	21.57	21.52	21.60	22.00	0
		12	6	21.66	21.65	21.52	22.00	0
		12	13	21.57	21.67	21.63	22.00	0
		25	0	21.58	21.65	21.51	22.00	0

Unless otherwise stated the results shown in this test report refer only to the sample(s) tested and such sample(s) are retained for 90 days only.

除非另有說明，此報告結果僅對測試之樣品負責，同時此樣品僅保留90天。本報告未經本公司書面許可，不可部份複製。

This document is issued by the Company subject to its General Conditions of Service printed overleaf, available on request or accessible at <http://www.sgs.com.tw/Terms-and-Conditions> and for electronic format documents, subject to Terms and Conditions for Electronic Documents at <http://www.sgs.com.tw/Terms-and-Conditions>. Attention is drawn to the limitation of liability, indemnification and jurisdiction issues defined therein. Any holder of this document is advised that information contained hereon reflects the Company's findings at the time of its intervention only and within the limits of Client's instructions, if any. The Company's sole responsibility is to its Client and this document does not exonerate parties to a transaction from exercising all their rights and obligations under the transaction documents. This document cannot be reproduced except in full, without prior written approval of the Company. Any unauthorized alteration, forgery or falsification of the content or appearance of this document is unlawful and offenders may be prosecuted to the fullest extent of the law.

LTE Band 5								
BW(MHz)	Modulation	RB Size	RB Offset	Conducted power (dBm)			Target Power + Max. Tolerance (dBm)	MPR Allowed per 3GPP(dB)
Frequency (MHz)				825.5	836.5	847.5		
Channel				20415	20525	20635		
3	QPSK	1	0	21.52	21.63	21.63	22.00	0
		1	7	21.60	21.50	21.69	22.00	0
		1	14	21.54	21.68	21.62	22.00	0
		8	0	21.55	21.51	21.58	22.00	0
		8	4	21.52	21.60	21.64	22.00	0
		8	7	21.61	21.69	21.56	22.00	0
		15	0	21.60	21.56	21.52	22.00	0
3	16-QAM	1	0	21.65	21.54	21.64	22.00	0
		1	7	21.57	21.60	21.66	22.00	0
		1	14	21.68	21.63	21.69	22.00	0
		8	0	21.56	21.53	21.66	22.00	0
		8	4	21.57	21.64	21.60	22.00	0
		8	7	21.59	21.64	21.53	22.00	0
		15	0	21.52	21.63	21.70	22.00	0
3	64-QAM	1	0	21.57	21.64	21.50	22.00	0
		1	7	21.65	21.55	21.58	22.00	0
		1	14	21.56	21.64	21.57	22.00	0
		8	0	21.54	21.59	21.70	22.00	0
		8	4	21.51	21.64	21.64	22.00	0
		8	7	21.61	21.56	21.58	22.00	0
		15	0	21.65	21.65	21.57	22.00	0
3	256-QAM	1	0	21.63	21.57	21.60	22.00	0
		1	7	21.59	21.68	21.59	22.00	0
		1	14	21.56	21.61	21.70	22.00	0
		8	0	21.54	21.66	21.66	22.00	0
		8	4	21.53	21.61	21.60	22.00	0
		8	7	21.60	21.67	21.52	22.00	0
		15	0	21.68	21.62	21.53	22.00	0

Unless otherwise stated the results shown in this test report refer only to the sample(s) tested and such sample(s) are retained for 90 days only.

除非另有說明，此報告結果僅對測試之樣品負責，同時此樣品僅保留90天。本報告未經本公司書面許可，不可部份複製。

This document is issued by the Company subject to its General Conditions of Service printed overleaf, available on request or accessible at <http://www.sgs.com.tw/Terms-and-Conditions> and for electronic format documents, subject to Terms and Conditions for Electronic Documents at <http://www.sgs.com.tw/Terms-and-Conditions>. Attention is drawn to the limitation of liability, indemnification and jurisdiction issues defined therein. Any holder of this document is advised that information contained hereon reflects the Company's findings at the time of its intervention only and within the limits of Client's instructions, if any. The Company's sole responsibility is to its Client and this document does not exonerate parties to a transaction from exercising all their rights and obligations under the transaction documents. This document cannot be reproduced except in full, without prior written approval of the Company. Any unauthorized alteration, forgery or falsification of the content or appearance of this document is unlawful and offenders may be prosecuted to the fullest extent of the law.

LTE Band 5								
BW(MHz)	Modulation	RB Size	RB Offset	Conducted power (dBm)			Target Power + Max. Tolerance (dBm)	MPR Allowed per 3GPP(dB)
Frequency (MHz)				824.7	836.5	848.3		
Channel				20407	20525	20643		
1.4	QPSK	1	0	21.61	21.57	21.55	22.00	0
		1	2	21.53	21.58	21.62	22.00	0
		1	5	21.58	21.64	21.68	22.00	0
		3	0	21.59	21.52	21.64	22.00	0
		3	2	21.54	21.53	21.62	22.00	0
		3	3	21.66	21.68	21.52	22.00	0
		6	0	21.60	21.57	21.64	22.00	0
1.4	16-QAM	1	0	21.52	21.50	21.68	22.00	0
		1	2	21.57	21.70	21.62	22.00	0
		1	5	21.69	21.59	21.63	22.00	0
		3	0	21.68	21.61	21.57	22.00	0
		3	2	21.69	21.51	21.53	22.00	0
		3	3	21.67	21.50	21.62	22.00	0
		6	0	21.67	21.62	21.70	22.00	0
1.4	64-QAM	1	0	21.66	21.55	21.61	22.00	0
		1	2	21.57	21.57	21.69	22.00	0
		1	5	21.62	21.65	21.69	22.00	0
		3	0	21.56	21.56	21.66	22.00	0
		3	2	21.69	21.55	21.60	22.00	0
		3	3	21.70	21.65	21.68	22.00	0
		6	0	21.64	21.69	21.61	22.00	0
1.4	256-QAM	1	0	21.62	21.65	21.53	22.00	0
		1	2	21.56	21.52	21.53	22.00	0
		1	5	21.61	21.65	21.55	22.00	0
		3	0	21.63	21.63	21.64	22.00	0
		3	2	21.51	21.54	21.66	22.00	0
		3	3	21.58	21.55	21.67	22.00	0
		6	0	21.53	21.67	21.67	22.00	0

Unless otherwise stated the results shown in this test report refer only to the sample(s) tested and such sample(s) are retained for 90 days only.

除非另有說明，此報告結果僅對測試之樣品負責，同時此樣品僅保留90天。本報告未經本公司書面許可，不可部份複製。

This document is issued by the Company subject to its General Conditions of Service printed overleaf, available on request or accessible at <http://www.sgs.com.tw/Terms-and-Conditions> and for electronic format documents, subject to Terms and Conditions for Electronic Documents at <http://www.sgs.com.tw/Terms-and-Conditions>. Attention is drawn to the limitation of liability, indemnification and jurisdiction issues defined therein. Any holder of this document is advised that information contained hereon reflects the Company's findings at the time of its intervention only and within the limits of Client's instructions, if any. The Company's sole responsibility is to its Client and this document does not exonerate parties to a transaction from exercising all their rights and obligations under the transaction documents. This document cannot be reproduced except in full, without prior written approval of the Company. Any unauthorized alteration, forgery or falsification of the content or appearance of this document is unlawful and offenders may be prosecuted to the fullest extent of the law.

LTE Band 7								
BW(MHz)	Modulation	RB Size	RB Offset	Conducted power (dBm)			Target Power + Max. Tolerance (dBm)	MPR Allowed per 3GPP(dB)
Frequency (MHz)				2510	2535	2560		
Channel				20850	21100	21350		
20	QPSK	1	0	16.64	16.63	16.68	17.50	0
		1	50	16.56	16.56	16.50	17.50	0
		1	99	16.55	16.54	16.54	17.50	0
		50	0	16.62	16.64	16.66	17.50	0
		50	25	16.60	16.57	16.49	17.50	0
		50	50	16.48	16.59	16.51	17.50	0
		100	0	16.47	16.48	16.52	17.50	0
20	16-QAM	1	0	16.62	16.53	16.51	17.50	0
		1	50	16.47	16.50	16.59	17.50	0
		1	99	16.48	16.61	16.55	17.50	0
		50	0	16.57	16.54	16.60	17.50	0
		50	25	16.66	16.51	16.48	17.50	0
		50	50	16.67	16.65	16.59	17.50	0
		100	0	16.50	16.48	16.54	17.50	0
20	64-QAM	1	0	16.58	16.50	16.67	17.50	0
		1	50	16.47	16.67	16.48	17.50	0
		1	99	16.52	16.66	16.58	17.50	0
		50	0	16.51	16.56	16.61	17.50	0
		50	25	16.67	16.62	16.52	17.50	0
		50	50	16.49	16.57	16.47	17.50	0
		100	0	16.55	16.50	16.56	17.50	0
20	256-QAM	1	0	16.58	16.52	16.57	17.50	0
		1	50	16.52	16.66	16.56	17.50	0
		1	99	16.57	16.66	16.52	17.50	0
		50	0	16.58	16.52	16.58	17.50	0
		50	25	16.48	16.54	16.58	17.50	0
		50	50	16.54	16.63	16.50	17.50	0
		100	0	16.59	16.57	16.50	17.50	0

Unless otherwise stated the results shown in this test report refer only to the sample(s) tested and such sample(s) are retained for 90 days only.

除非另有說明，此報告結果僅對測試之樣品負責，同時此樣品僅保留90天。本報告未經本公司書面許可，不可部份複製。

This document is issued by the Company subject to its General Conditions of Service printed overleaf, available on request or accessible at <http://www.sgs.com.tw/Terms-and-Conditions> and for electronic format documents, subject to Terms and Conditions for Electronic Documents at <http://www.sgs.com.tw/Terms-and-Conditions>. Attention is drawn to the limitation of liability, indemnification and jurisdiction issues defined therein. Any holder of this document is advised that information contained hereon reflects the Company's findings at the time of its intervention only and within the limits of Client's instructions, if any. The Company's sole responsibility is to its Client and this document does not exonerate parties to a transaction from exercising all their rights and obligations under the transaction documents. This document cannot be reproduced except in full, without prior written approval of the Company. Any unauthorized alteration, forgery or falsification of the content or appearance of this document is unlawful and offenders may be prosecuted to the fullest extent of the law.

LTE Band 7								
BW(MHz)	Modulation	RB Size	RB Offset	Conducted power (dBm)			Target Power + Max. Tolerance (dBm)	MPR Allowed per 3GPP(dB)
Frequency (MHz)				2507.5	2535	2562.5		
Channel				20825	21100	21375		
15	QPSK	1	0	16.61	16.47	16.52	17.50	0
		1	36	16.62	16.61	16.61	17.50	0
		1	74	16.66	16.55	16.59	17.50	0
		36	0	16.53	16.64	16.55	17.50	0
		36	18	16.63	16.55	16.48	17.50	0
		36	37	16.58	16.61	16.54	17.50	0
		75	0	16.66	16.65	16.54	17.50	0
15	16-QAM	1	0	16.60	16.56	16.54	17.50	0
		1	36	16.56	16.63	16.63	17.50	0
		1	74	16.50	16.65	16.53	17.50	0
		36	0	16.51	16.54	16.52	17.50	0
		36	18	16.48	16.54	16.59	17.50	0
		36	37	16.65	16.47	16.64	17.50	0
		75	0	16.67	16.63	16.61	17.50	0
15	64-QAM	1	0	16.58	16.55	16.61	17.50	0
		1	36	16.53	16.58	16.48	17.50	0
		1	74	16.66	16.64	16.47	17.50	0
		36	0	16.65	16.65	16.59	17.50	0
		36	18	16.54	16.54	16.65	17.50	0
		36	37	16.64	16.49	16.52	17.50	0
		75	0	16.48	16.49	16.60	17.50	0
15	256-QAM	1	0	16.58	16.54	16.48	17.50	0
		1	36	16.47	16.64	16.64	17.50	0
		1	74	16.63	16.60	16.56	17.50	0
		36	0	16.55	16.62	16.66	17.50	0
		36	18	16.64	16.60	16.60	17.50	0
		36	37	16.51	16.64	16.50	17.50	0
		75	0	16.58	16.67	16.61	17.50	0

Unless otherwise stated the results shown in this test report refer only to the sample(s) tested and such sample(s) are retained for 90 days only.

除非另有說明，此報告結果僅對測試之樣品負責，同時此樣品僅保留90天。本報告未經本公司書面許可，不可部份複製。

This document is issued by the Company subject to its General Conditions of Service printed overleaf, available on request or accessible at <http://www.sgs.com.tw/Terms-and-Conditions> and for electronic format documents, subject to Terms and Conditions for Electronic Documents at <http://www.sgs.com.tw/Terms-and-Conditions>. Attention is drawn to the limitation of liability, indemnification and jurisdiction issues defined therein. Any holder of this document is advised that information contained hereon reflects the Company's findings at the time of its intervention only and within the limits of Client's instructions, if any. The Company's sole responsibility is to its Client and this document does not exonerate parties to a transaction from exercising all their rights and obligations under the transaction documents. This document cannot be reproduced except in full, without prior written approval of the Company. Any unauthorized alteration, forgery or falsification of the content or appearance of this document is unlawful and offenders may be prosecuted to the fullest extent of the law.

LTE Band 7								
BW(MHz)	Modulation	RB Size	RB Offset	Conducted power (dBm)			Target Power + Max. Tolerance (dBm)	MPR Allowed per 3GPP(dB)
Frequency (MHz)				2505	2535	2565		
Channel				20800	21100	21400		
10	QPSK	1	0	16.53	16.65	16.48	17.50	0
		1	25	16.49	16.60	16.48	17.50	0
		1	49	16.54	16.57	16.57	17.50	0
		25	0	16.67	16.60	16.53	17.50	0
		25	12	16.58	16.65	16.54	17.50	0
		25	25	16.49	16.53	16.54	17.50	0
		50	0	16.53	16.65	16.65	17.50	0
10	16-QAM	1	0	16.49	16.53	16.52	17.50	0
		1	25	16.63	16.61	16.51	17.50	0
		1	49	16.52	16.64	16.63	17.50	0
		25	0	16.64	16.62	16.58	17.50	0
		25	12	16.56	16.60	16.48	17.50	0
		25	25	16.66	16.54	16.61	17.50	0
		50	0	16.51	16.49	16.64	17.50	0
10	64-QAM	1	0	16.55	16.50	16.64	17.50	0
		1	25	16.47	16.60	16.64	17.50	0
		1	49	16.50	16.63	16.58	17.50	0
		25	0	16.56	16.58	16.64	17.50	0
		25	12	16.47	16.64	16.56	17.50	0
		25	25	16.53	16.64	16.57	17.50	0
		50	0	16.62	16.52	16.65	17.50	0
10	256-QAM	1	0	16.55	16.58	16.65	17.50	0
		1	25	16.58	16.58	16.61	17.50	0
		1	49	16.52	16.60	16.64	17.50	0
		25	0	16.52	16.62	16.50	17.50	0
		25	12	16.50	16.59	16.54	17.50	0
		25	25	16.65	16.55	16.58	17.50	0
		50	0	16.62	16.66	16.48	17.50	0

Unless otherwise stated the results shown in this test report refer only to the sample(s) tested and such sample(s) are retained for 90 days only.

除非另有說明，此報告結果僅對測試之樣品負責，同時此樣品僅保留90天。本報告未經本公司書面許可，不可部份複製。

This document is issued by the Company subject to its General Conditions of Service printed overleaf, available on request or accessible at <http://www.sgs.com.tw/Terms-and-Conditions> and for electronic format documents, subject to Terms and Conditions for Electronic Documents at <http://www.sgs.com.tw/Terms-and-Conditions>. Attention is drawn to the limitation of liability, indemnification and jurisdiction issues defined therein. Any holder of this document is advised that information contained hereon reflects the Company's findings at the time of its intervention only and within the limits of Client's instructions, if any. The Company's sole responsibility is to its Client and this document does not exonerate parties to a transaction from exercising all their rights and obligations under the transaction documents. This document cannot be reproduced except in full, without prior written approval of the Company. Any unauthorized alteration, forgery or falsification of the content or appearance of this document is unlawful and offenders may be prosecuted to the fullest extent of the law.

LTE Band 7								
BW(MHz)	Modulation	RB Size	RB Offset	Conducted power (dBm)			Target Power + Max. Tolerance (dBm)	MPR Allowed per 3GPP(dB)
Frequency (MHz)				2502.5	2535	2567.5		
Channel				20775	21100	21425		
5	QPSK	1	0	16.57	16.53	16.59	17.50	0
		1	12	16.58	16.62	16.52	17.50	0
		1	24	16.52	16.57	16.61	17.50	0
		12	0	16.50	16.49	16.48	17.50	0
		12	6	16.59	16.52	16.54	17.50	0
		12	13	16.48	16.55	16.57	17.50	0
		25	0	16.48	16.47	16.57	17.50	0
5	16-QAM	1	0	16.60	16.67	16.66	17.50	0
		1	12	16.67	16.61	16.54	17.50	0
		1	24	16.62	16.67	16.49	17.50	0
		12	0	16.62	16.55	16.57	17.50	0
		12	6	16.50	16.53	16.58	17.50	0
		12	13	16.52	16.60	16.56	17.50	0
		25	0	16.52	16.65	16.48	17.50	0
5	64-QAM	1	0	16.57	16.52	16.53	17.50	0
		1	12	16.63	16.54	16.53	17.50	0
		1	24	16.61	16.66	16.63	17.50	0
		12	0	16.64	16.58	16.65	17.50	0
		12	6	16.66	16.64	16.52	17.50	0
		12	13	16.61	16.54	16.49	17.50	0
		25	0	16.55	16.58	16.48	17.50	0
5	256-QAM	1	0	16.60	16.62	16.61	17.50	0
		1	12	16.56	16.54	16.65	17.50	0
		1	24	16.56	16.52	16.51	17.50	0
		12	0	16.50	16.48	16.63	17.50	0
		12	6	16.54	16.65	16.56	17.50	0
		12	13	16.61	16.59	16.64	17.50	0
		25	0	16.62	16.62	16.59	17.50	0

Unless otherwise stated the results shown in this test report refer only to the sample(s) tested and such sample(s) are retained for 90 days only.

除非另有說明，此報告結果僅對測試之樣品負責，同時此樣品僅保留90天。本報告未經本公司書面許可，不可部份複製。

This document is issued by the Company subject to its General Conditions of Service printed overleaf, available on request or accessible at <http://www.sgs.com.tw/Terms-and-Conditions> and for electronic format documents, subject to Terms and Conditions for Electronic Documents at <http://www.sgs.com.tw/Terms-and-Conditions>. Attention is drawn to the limitation of liability, indemnification and jurisdiction issues defined therein. Any holder of this document is advised that information contained hereon reflects the Company's findings at the time of its intervention only and within the limits of Client's instructions, if any. The Company's sole responsibility is to its Client and this document does not exonerate parties to a transaction from exercising all their rights and obligations under the transaction documents. This document cannot be reproduced except in full, without prior written approval of the Company. Any unauthorized alteration, forgery or falsification of the content or appearance of this document is unlawful and offenders may be prosecuted to the fullest extent of the law.

LTE Band 12								
BW(MHz)	Modulation	RB Size	RB Offset	Conducted power (dBm)			Target Power + Max. Tolerance (dBm)	MPR Allowed per 3GPP(dB)
Frequency (MHz)				704	707.5	711		
Channel				23060	23095	23130		
10	QPSK	1	0	22.95	22.93	22.98	23.00	0
		1	25	22.90	22.87	22.90	23.00	0
		1	49	22.83	22.84	22.93	23.00	0
		25	0	22.82	22.79	22.97	23.00	0
		25	12	22.82	22.79	22.94	23.00	0
		25	25	22.79	22.78	22.83	23.00	0
		50	0	22.96	22.83	22.91	23.00	0
10	16-QAM	1	0	22.78	22.80	22.92	23.00	0
		1	25	22.85	22.95	22.78	23.00	0
		1	49	22.81	22.88	22.94	23.00	0
		25	0	22.88	22.90	22.78	23.00	0
		25	12	22.88	22.93	22.85	23.00	0
		25	25	22.93	22.82	22.93	23.00	0
		50	0	22.96	22.80	22.89	23.00	0
10	64-QAM	1	0	22.88	22.93	22.95	23.00	0
		1	25	22.83	22.96	22.79	23.00	0
		1	49	22.86	22.84	22.95	23.00	0
		25	0	22.94	22.88	22.83	23.00	0
		25	12	22.79	22.82	22.92	23.00	0
		25	25	22.97	22.87	22.81	23.00	0
		50	0	22.87	22.96	22.93	23.00	0
10	256-QAM	1	0	22.83	22.91	22.85	23.00	0
		1	25	22.94	22.87	22.90	23.00	0
		1	49	22.93	22.98	22.94	23.00	0
		25	0	22.91	22.83	22.94	23.00	0
		25	12	22.89	22.80	22.92	23.00	0
		25	25	22.91	22.80	22.89	23.00	0
		50	0	22.89	22.78	22.82	23.00	0

Unless otherwise stated the results shown in this test report refer only to the sample(s) tested and such sample(s) are retained for 90 days only.

除非另有說明，此報告結果僅對測試之樣品負責，同時此樣品僅保留90天。本報告未經本公司書面許可，不可部份複製。

This document is issued by the Company subject to its General Conditions of Service printed overleaf, available on request or accessible at <http://www.sgs.com.tw/Terms-and-Conditions> and for electronic format documents, subject to Terms and Conditions for Electronic Documents at <http://www.sgs.com.tw/Terms-and-Conditions>. Attention is drawn to the limitation of liability, indemnification and jurisdiction issues defined therein. Any holder of this document is advised that information contained hereon reflects the Company's findings at the time of its intervention only and within the limits of Client's instructions, if any. The Company's sole responsibility is to its Client and this document does not exonerate parties to a transaction from exercising all their rights and obligations under the transaction documents. This document cannot be reproduced except in full, without prior written approval of the Company. Any unauthorized alteration, forgery or falsification of the content or appearance of this document is unlawful and offenders may be prosecuted to the fullest extent of the law.

LTE Band 12								
BW(MHz)	Modulation	RB Size	RB Offset	Conducted power (dBm)			Target Power + Max. Tolerance (dBm)	MPR Allowed per 3GPP(dB)
Frequency (MHz)				701.5	707.5	713.5		
Channel				23035	23095	23155		
5	QPSK	1	0	22.82	22.86	22.94	23.00	0
		1	12	22.93	22.95	22.77	23.00	0
		1	24	22.92	22.92	22.94	23.00	0
		12	0	22.87	22.96	22.78	23.00	0
		12	6	22.78	22.96	22.85	23.00	0
		12	13	22.86	22.96	22.86	23.00	0
		25	0	22.78	22.90	22.83	23.00	0
5	16-QAM	1	0	22.78	22.92	22.86	23.00	0
		1	12	22.83	22.86	22.93	23.00	0
		1	24	22.88	22.81	22.95	23.00	0
		12	0	22.96	22.95	22.97	23.00	0
		12	6	22.85	22.87	22.88	23.00	0
		12	13	22.78	22.79	22.91	23.00	0
		25	0	22.85	22.81	22.90	23.00	0
5	64-QAM	1	0	22.89	22.83	22.79	23.00	0
		1	12	22.88	22.77	22.84	23.00	0
		1	24	22.92	22.90	22.93	23.00	0
		12	0	22.91	22.82	22.78	23.00	0
		12	6	22.78	22.83	22.87	23.00	0
		12	13	22.78	22.81	22.94	23.00	0
		25	0	22.89	22.82	22.83	23.00	0
5	256-QAM	1	0	22.83	22.87	22.90	23.00	0
		1	12	22.83	22.80	22.84	23.00	0
		1	24	22.89	22.86	22.94	23.00	0
		12	0	22.96	22.83	22.92	23.00	0
		12	6	22.84	22.86	22.82	23.00	0
		12	13	22.85	22.84	22.80	23.00	0
		25	0	22.79	22.81	22.82	23.00	0

Unless otherwise stated the results shown in this test report refer only to the sample(s) tested and such sample(s) are retained for 90 days only.

除非另有說明，此報告結果僅對測試之樣品負責，同時此樣品僅保留90天。本報告未經本公司書面許可，不可部份複製。

This document is issued by the Company subject to its General Conditions of Service printed overleaf, available on request or accessible at <http://www.sgs.com.tw/Terms-and-Conditions> and for electronic format documents, subject to Terms and Conditions for Electronic Documents at <http://www.sgs.com.tw/Terms-and-Conditions>. Attention is drawn to the limitation of liability, indemnification and jurisdiction issues defined therein. Any holder of this document is advised that information contained hereon reflects the Company's findings at the time of its intervention only and within the limits of Client's instructions, if any. The Company's sole responsibility is to its Client and this document does not exonerate parties to a transaction from exercising all their rights and obligations under the transaction documents. This document cannot be reproduced except in full, without prior written approval of the Company. Any unauthorized alteration, forgery or falsification of the content or appearance of this document is unlawful and offenders may be prosecuted to the fullest extent of the law.

LTE Band 12								
BW(MHz)	Modulation	RB Size	RB Offset	Conducted power (dBm)			Target Power + Max. Tolerance (dBm)	MPR Allowed per 3GPP(dB)
Frequency (MHz)				700.5	707.5	714.5		
Channel				23025	23095	23165		
3	QPSK	1	0	22.92	22.77	22.81	23.00	0
		1	7	22.83	22.95	22.81	23.00	0
		1	14	22.80	22.94	22.91	23.00	0
		8	0	22.94	22.78	22.96	23.00	0
		8	4	22.88	22.83	22.78	23.00	0
		8	7	22.93	22.97	22.82	23.00	0
		15	0	22.86	22.89	22.89	23.00	0
3	16-QAM	1	0	22.87	22.82	22.87	23.00	0
		1	7	22.86	22.90	22.91	23.00	0
		1	14	22.91	22.97	22.91	23.00	0
		8	0	22.97	22.96	22.90	23.00	0
		8	4	22.84	22.95	22.79	23.00	0
		8	7	22.82	22.90	22.77	23.00	0
		15	0	22.84	22.83	22.83	23.00	0
3	64-QAM	1	0	22.91	22.80	22.97	23.00	0
		1	7	22.85	22.92	22.94	23.00	0
		1	14	22.78	22.84	22.84	23.00	0
		8	0	22.86	22.95	22.88	23.00	0
		8	4	22.86	22.91	22.88	23.00	0
		8	7	22.94	22.89	22.85	23.00	0
		15	0	22.83	22.77	22.90	23.00	0
3	256-QAM	1	0	22.89	22.87	22.89	23.00	0
		1	7	22.88	22.83	22.95	23.00	0
		1	14	22.96	22.87	22.95	23.00	0
		8	0	22.88	22.86	22.79	23.00	0
		8	4	22.85	22.91	22.96	23.00	0
		8	7	22.87	22.79	22.91	23.00	0
		15	0	22.87	22.94	22.82	23.00	0

Unless otherwise stated the results shown in this test report refer only to the sample(s) tested and such sample(s) are retained for 90 days only.

除非另有說明，此報告結果僅對測試之樣品負責，同時此樣品僅保留90天。本報告未經本公司書面許可，不可部份複製。

This document is issued by the Company subject to its General Conditions of Service printed overleaf, available on request or accessible at <http://www.sgs.com.tw/Terms-and-Conditions> and for electronic format documents, subject to Terms and Conditions for Electronic Documents at <http://www.sgs.com.tw/Terms-and-Conditions>. Attention is drawn to the limitation of liability, indemnification and jurisdiction issues defined therein. Any holder of this document is advised that information contained hereon reflects the Company's findings at the time of its intervention only and within the limits of Client's instructions, if any. The Company's sole responsibility is to its Client and this document does not exonerate parties to a transaction from exercising all their rights and obligations under the transaction documents. This document cannot be reproduced except in full, without prior written approval of the Company. Any unauthorized alteration, forgery or falsification of the content or appearance of this document is unlawful and offenders may be prosecuted to the fullest extent of the law.

LTE Band 12								
BW(MHz)	Modulation	RB Size	RB Offset	Conducted power (dBm)			Target Power + Max. Tolerance (dBm)	MPR Allowed per 3GPP(dB)
Frequency (MHz)				699.7	707.5	715.3		
Channel				23017	23095	23173		
1.4	QPSK	1	0	22.95	22.96	22.94	23.00	0
		1	2	22.81	22.92	22.91	23.00	0
		1	5	22.94	22.85	22.91	23.00	0
		3	0	22.84	22.89	22.79	23.00	0
		3	2	22.94	22.82	22.92	23.00	0
		3	3	22.82	22.89	22.93	23.00	0
		6	0	22.81	22.79	22.78	23.00	0
1.4	16-QAM	1	0	22.94	22.94	22.88	23.00	0
		1	2	22.92	22.84	22.85	23.00	0
		1	5	22.89	22.94	22.87	23.00	0
		3	0	22.93	22.96	22.86	23.00	0
		3	2	22.90	22.93	22.90	23.00	0
		3	3	22.88	22.80	22.84	23.00	0
		6	0	22.81	22.90	22.79	23.00	0
1.4	64-QAM	1	0	22.78	22.90	22.87	23.00	0
		1	2	22.86	22.89	22.82	23.00	0
		1	5	22.94	22.80	22.88	23.00	0
		3	0	22.97	22.79	22.79	23.00	0
		3	2	22.81	22.80	22.80	23.00	0
		3	3	22.84	22.89	22.92	23.00	0
		6	0	22.86	22.86	22.84	23.00	0
1.4	256-QAM	1	0	22.91	22.83	22.91	23.00	0
		1	2	22.84	22.84	22.92	23.00	0
		1	5	22.88	22.78	22.88	23.00	0
		3	0	22.88	22.91	22.86	23.00	0
		3	2	22.88	22.94	22.90	23.00	0
		3	3	22.82	22.81	22.80	23.00	0
		6	0	22.90	22.88	22.87	23.00	0

Unless otherwise stated the results shown in this test report refer only to the sample(s) tested and such sample(s) are retained for 90 days only.

除非另有說明，此報告結果僅對測試之樣品負責，同時此樣品僅保留90天。本報告未經本公司書面許可，不可部份複製。

This document is issued by the Company subject to its General Conditions of Service printed overleaf, available on request or accessible at <http://www.sgs.com.tw/Terms-and-Conditions> and for electronic format documents, subject to Terms and Conditions for Electronic Documents at <http://www.sgs.com.tw/Terms-and-Conditions>. Attention is drawn to the limitation of liability, indemnification and jurisdiction issues defined therein. Any holder of this document is advised that information contained hereon reflects the Company's findings at the time of its intervention only and within the limits of Client's instructions, if any. The Company's sole responsibility is to its Client and this document does not exonerate parties to a transaction from exercising all their rights and obligations under the transaction documents. This document cannot be reproduced except in full, without prior written approval of the Company. Any unauthorized alteration, forgery or falsification of the content or appearance of this document is unlawful and offenders may be prosecuted to the fullest extent of the law.

LTE Band 13							
BW(MHz)	Modulation	RB Size	RB Offset	Conducted power (dBm)		Target Power + Max. Tolerance (dBm)	MPR Allowed per 3GPP(dB)
Frequency (MHz)				782			
Channel				23230			
10	QPSK	1	0		22.91	23.00	0
		1	25		22.89	23.00	0
		1	49		22.74	23.00	0
		25	0		22.84	23.00	0
		25	12		22.73	23.00	0
		25	25		22.79	23.00	0
		50	0		22.82	23.00	0
10	16-QAM	1	0		22.87	23.00	0
		1	25		22.87	23.00	0
		1	49		22.89	23.00	0
		25	0		22.78	23.00	0
		25	12		22.77	23.00	0
		25	25		22.85	23.00	0
		50	0		22.87	23.00	0
10	64-QAM	1	0		22.86	23.00	0
		1	25		22.87	23.00	0
		1	49		22.81	23.00	0
		25	0		22.88	23.00	0
		25	12		22.87	23.00	0
		25	25		22.83	23.00	0
		50	0		22.76	23.00	0
10	256-QAM	1	0		22.85	23.00	0
		1	25		22.77	23.00	0
		1	49		22.80	23.00	0
		25	0		22.79	23.00	0
		25	12		22.90	23.00	0
		25	25		22.78	23.00	0
		50	0		22.87	23.00	0

Unless otherwise stated the results shown in this test report refer only to the sample(s) tested and such sample(s) are retained for 90 days only.

除非另有說明，此報告結果僅對測試之樣品負責，同時此樣品僅保留90天。本報告未經本公司書面許可，不可部份複製。

This document is issued by the Company subject to its General Conditions of Service printed overleaf, available on request or accessible at <http://www.sgs.com.tw/Terms-and-Conditions> and for electronic format documents, subject to Terms and Conditions for Electronic Documents at <http://www.sgs.com.tw/Terms-and-Conditions>. Attention is drawn to the limitation of liability, indemnification and jurisdiction issues defined therein. Any holder of this document is advised that information contained hereon reflects the Company's findings at the time of its intervention only and within the limits of Client's instructions, if any. The Company's sole responsibility is to its Client and this document does not exonerate parties to a transaction from exercising all their rights and obligations under the transaction documents. This document cannot be reproduced except in full, without prior written approval of the Company. Any unauthorized alteration, forgery or falsification of the content or appearance of this document is unlawful and offenders may be prosecuted to the fullest extent of the law.

LTE Band 13								
BW(MHz)	Modulation	RB Size	RB Offset	Conducted power (dBm)			Target Power + Max. Tolerance (dBm)	MPR Allowed per 3GPP(dB)
Frequency (MHz)				779.5	782	784.5		
Channel				23205	23230	23255		
5	QPSK	1	0	22.85	22.74	22.72	23.00	0
		1	12	22.89	22.74	22.73	23.00	0
		1	24	22.87	22.81	22.85	23.00	0
		12	0	22.89	22.86	22.76	23.00	0
		12	6	22.71	22.73	22.81	23.00	0
		12	13	22.77	22.80	22.74	23.00	0
		25	0	22.84	22.87	22.71	23.00	0
5	16-QAM	1	0	22.71	22.78	22.79	23.00	0
		1	12	22.77	22.75	22.84	23.00	0
		1	24	22.78	22.86	22.85	23.00	0
		12	0	22.78	22.86	22.88	23.00	0
		12	6	22.90	22.79	22.83	23.00	0
		12	13	22.78	22.78	22.78	23.00	0
		25	0	22.85	22.89	22.82	23.00	0
5	64-QAM	1	0	22.80	22.86	22.81	23.00	0
		1	12	22.76	22.88	22.86	23.00	0
		1	24	22.80	22.79	22.81	23.00	0
		12	0	22.87	22.71	22.85	23.00	0
		12	6	22.74	22.89	22.88	23.00	0
		12	13	22.88	22.74	22.87	23.00	0
		25	0	22.80	22.74	22.89	23.00	0
5	256-QAM	1	0	22.85	22.74	22.89	23.00	0
		1	12	22.79	22.73	22.84	23.00	0
		1	24	22.90	22.78	22.84	23.00	0
		12	0	22.81	22.74	22.72	23.00	0
		12	6	22.84	22.89	22.75	23.00	0
		12	13	22.75	22.78	22.90	23.00	0
		25	0	22.77	22.81	22.82	23.00	0

Unless otherwise stated the results shown in this test report refer only to the sample(s) tested and such sample(s) are retained for 90 days only.

除非另有說明，此報告結果僅對測試之樣品負責，同時此樣品僅保留90天。本報告未經本公司書面許可，不可部份複製。

This document is issued by the Company subject to its General Conditions of Service printed overleaf, available on request or accessible at <http://www.sgs.com.tw/Terms-and-Conditions> and for electronic format documents, subject to Terms and Conditions for Electronic Documents at <http://www.sgs.com.tw/Terms-and-Conditions>. Attention is drawn to the limitation of liability, indemnification and jurisdiction issues defined therein. Any holder of this document is advised that information contained hereon reflects the Company's findings at the time of its intervention only and within the limits of Client's instructions, if any. The Company's sole responsibility is to its Client and this document does not exonerate parties to a transaction from exercising all their rights and obligations under the transaction documents. This document cannot be reproduced except in full, without prior written approval of the Company. Any unauthorized alteration, forgery or falsification of the content or appearance of this document is unlawful and offenders may be prosecuted to the fullest extent of the law.

LTE Band 14							
BW(MHz)	Modulation	RB Size	RB Offset	Conducted power (dBm)		Target Power + Max. Tolerance (dBm)	MPR Allowed per 3GPP(dB)
Frequency (MHz)				793			
Channel				23330			
10	QPSK	1	0		22.99	23.00	0
		1	25		22.88	23.00	0
		1	49		22.90	23.00	0
		25	0		22.96	23.00	0
		25	12		22.85	23.00	0
		25	25		22.83	23.00	0
		50	0		22.95	23.00	0
10	16-QAM	1	0		22.93	23.00	0
		1	25		22.90	23.00	0
		1	49		22.92	23.00	0
		25	0		22.82	23.00	0
		25	12		22.84	23.00	0
		25	25		22.97	23.00	0
		50	0		22.98	23.00	0
10	64-QAM	1	0		22.81	23.00	0
		1	25		22.81	23.00	0
		1	49		22.80	23.00	0
		25	0		22.84	23.00	0
		25	12		22.94	23.00	0
		25	25		22.87	23.00	0
		50	0		22.93	23.00	0
10	256-QAM	1	0		22.91	23.00	0
		1	25		22.80	23.00	0
		1	49		22.95	23.00	0
		25	0		22.81	23.00	0
		25	12		22.88	23.00	0
		25	25		22.82	23.00	0
		50	0		22.87	23.00	0

Unless otherwise stated the results shown in this test report refer only to the sample(s) tested and such sample(s) are retained for 90 days only.

除非另有說明，此報告結果僅對測試之樣品負責，同時此樣品僅保留90天。本報告未經本公司書面許可，不可部份複製。

This document is issued by the Company subject to its General Conditions of Service printed overleaf, available on request or accessible at <http://www.sgs.com.tw/Terms-and-Conditions> and for electronic format documents, subject to Terms and Conditions for Electronic Documents at <http://www.sgs.com.tw/Terms-and-Conditions>. Attention is drawn to the limitation of liability, indemnification and jurisdiction issues defined therein. Any holder of this document is advised that information contained hereon reflects the Company's findings at the time of its intervention only and within the limits of Client's instructions, if any. The Company's sole responsibility is to its Client and this document does not exonerate parties to a transaction from exercising all their rights and obligations under the transaction documents. This document cannot be reproduced except in full, without prior written approval of the Company. Any unauthorized alteration, forgery or falsification of the content or appearance of this document is unlawful and offenders may be prosecuted to the fullest extent of the law.

LTE Band 14								
BW(MHz)	Modulation	RB Size	RB Offset	Conducted power (dBm)			Target Power + Max. Tolerance (dBm)	MPR Allowed per 3GPP(dB)
Frequency (MHz)				790.5	793	795.5		
Channel				23305	23330	23355		
5	QPSK	1	0	22.77	22.85	22.79	23.00	0
		1	12	22.81	22.81	22.87	23.00	0
		1	24	22.74	22.86	22.89	23.00	0
		12	0	22.80	22.95	22.81	23.00	0
		12	6	22.89	22.87	22.80	23.00	0
		12	13	22.80	22.96	22.72	23.00	0
		25	0	22.77	22.87	22.83	23.00	0
5	16-QAM	1	0	22.89	22.86	22.87	23.00	0
		1	12	22.81	22.85	22.75	23.00	0
		1	24	22.82	22.94	22.76	23.00	0
		12	0	22.83	22.94	22.86	23.00	0
		12	6	22.76	22.96	22.81	23.00	0
		12	13	22.80	22.94	22.82	23.00	0
		25	0	22.86	22.98	22.80	23.00	0
5	64-QAM	1	0	22.79	22.91	22.77	23.00	0
		1	12	22.87	22.81	22.73	23.00	0
		1	24	22.73	22.89	22.75	23.00	0
		12	0	22.73	22.96	22.71	23.00	0
		12	6	22.71	22.90	22.75	23.00	0
		12	13	22.85	22.81	22.78	23.00	0
		25	0	22.70	22.92	22.81	23.00	0
5	256-QAM	1	0	22.76	22.93	22.87	23.00	0
		1	12	22.88	22.91	22.74	23.00	0
		1	24	22.73	22.90	22.87	23.00	0
		12	0	22.84	22.87	22.77	23.00	0
		12	6	22.78	22.96	22.89	23.00	0
		12	13	22.73	22.79	22.72	23.00	0
		25	0	22.81	22.91	22.75	23.00	0

Unless otherwise stated the results shown in this test report refer only to the sample(s) tested and such sample(s) are retained for 90 days only.

除非另有說明，此報告結果僅對測試之樣品負責，同時此樣品僅保留90天。本報告未經本公司書面許可，不可部份複製。

This document is issued by the Company subject to its General Conditions of Service printed overleaf, available on request or accessible at <http://www.sgs.com.tw/Terms-and-Conditions> and for electronic format documents, subject to Terms and Conditions for Electronic Documents at <http://www.sgs.com.tw/Terms-and-Conditions>. Attention is drawn to the limitation of liability, indemnification and jurisdiction issues defined therein. Any holder of this document is advised that information contained hereon reflects the Company's findings at the time of its intervention only and within the limits of Client's instructions, if any. The Company's sole responsibility is to its Client and this document does not exonerate parties to a transaction from exercising all their rights and obligations under the transaction documents. This document cannot be reproduced except in full, without prior written approval of the Company. Any unauthorized alteration, forgery or falsification of the content or appearance of this document is unlawful and offenders may be prosecuted to the fullest extent of the law.

LTE Band 17								
BW(MHz)	Modulation	RB Size	RB Offset	Conducted power (dBm)			Target Power + Max. Tolerance (dBm)	MPR Allowed per 3GPP(dB)
Frequency (MHz)				709	710	711		
Channel				23780	23790	23800		
10	QPSK	1	0	22.99	22.98	22.97	23.00	0
		1	25	22.87	22.79	22.96	23.00	0
		1	49	22.81	22.98	22.90	23.00	0
		25	0	22.98	22.96	22.94	23.00	0
		25	12	22.82	22.94	22.92	23.00	0
		25	25	22.92	22.86	22.85	23.00	0
		50	0	22.88	22.90	22.96	23.00	0
10	16-QAM	1	0	22.94	22.82	22.94	23.00	0
		1	25	22.96	22.88	22.85	23.00	0
		1	49	22.86	22.79	22.78	23.00	0
		25	0	22.86	22.80	22.79	23.00	0
		25	12	22.97	22.91	22.94	23.00	0
		25	25	22.88	22.89	22.83	23.00	0
		50	0	22.85	22.88	22.93	23.00	0
10	64-QAM	1	0	22.96	22.87	22.82	23.00	0
		1	25	22.80	22.87	22.93	23.00	0
		1	49	22.85	22.90	22.93	23.00	0
		25	0	22.85	22.82	22.94	23.00	0
		25	12	22.93	22.96	22.95	23.00	0
		25	25	22.88	22.87	22.94	23.00	0
		50	0	22.82	22.84	22.95	23.00	0
10	256-QAM	1	0	22.90	22.95	22.89	23.00	0
		1	25	22.87	22.89	22.91	23.00	0
		1	49	22.80	22.82	22.96	23.00	0
		25	0	22.90	22.79	22.92	23.00	0
		25	12	22.84	22.86	22.96	23.00	0
		25	25	22.79	22.85	22.80	23.00	0
		50	0	22.90	22.86	22.89	23.00	0

Unless otherwise stated the results shown in this test report refer only to the sample(s) tested and such sample(s) are retained for 90 days only.

除非另有說明，此報告結果僅對測試之樣品負責，同時此樣品僅保留90天。本報告未經本公司書面許可，不可部份複製。

This document is issued by the Company subject to its General Conditions of Service printed overleaf, available on request or accessible at <http://www.sgs.com.tw/Terms-and-Conditions> and for electronic format documents, subject to Terms and Conditions for Electronic Documents at <http://www.sgs.com.tw/Terms-and-Conditions>. Attention is drawn to the limitation of liability, indemnification and jurisdiction issues defined therein. Any holder of this document is advised that information contained hereon reflects the Company's findings at the time of its intervention only and within the limits of Client's instructions, if any. The Company's sole responsibility is to its Client and this document does not exonerate parties to a transaction from exercising all their rights and obligations under the transaction documents. This document cannot be reproduced except in full, without prior written approval of the Company. Any unauthorized alteration, forgery or falsification of the content or appearance of this document is unlawful and offenders may be prosecuted to the fullest extent of the law.

LTE Band 17								
BW(MHz)	Modulation	RB Size	RB Offset	Conducted power (dBm)			Target Power + Max. Tolerance (dBm)	MPR Allowed per 3GPP(dB)
Frequency (MHz)				706.5	710	713.5		
Channel				23755	23790	23825		
5	QPSK	1	0	22.87	22.95	22.84	23.00	0
		1	12	22.80	22.88	22.83	23.00	0
		1	24	22.98	22.88	22.86	23.00	0
		12	0	22.85	22.90	22.89	23.00	0
		12	6	22.79	22.83	22.79	23.00	0
		12	13	22.79	22.82	22.84	23.00	0
		25	0	22.84	22.90	22.84	23.00	0
5	16-QAM	1	0	22.86	22.84	22.94	23.00	0
		1	12	22.91	22.97	22.93	23.00	0
		1	24	22.94	22.86	22.87	23.00	0
		12	0	22.89	22.98	22.82	23.00	0
		12	6	22.97	22.84	22.79	23.00	0
		12	13	22.91	22.96	22.79	23.00	0
		25	0	22.97	22.97	22.90	23.00	0
5	64-QAM	1	0	22.86	22.85	22.91	23.00	0
		1	12	22.79	22.86	22.80	23.00	0
		1	24	22.81	22.93	22.86	23.00	0
		12	0	22.83	22.85	22.95	23.00	0
		12	6	22.87	22.94	22.84	23.00	0
		12	13	22.92	22.93	22.82	23.00	0
		25	0	22.80	22.95	22.88	23.00	0
5	256-QAM	1	0	22.88	22.81	22.91	23.00	0
		1	12	22.80	22.81	22.85	23.00	0
		1	24	22.93	22.82	22.80	23.00	0
		12	0	22.95	22.81	22.92	23.00	0
		12	6	22.88	22.78	22.91	23.00	0
		12	13	22.97	22.80	22.84	23.00	0
		25	0	22.90	22.83	22.82	23.00	0

Unless otherwise stated the results shown in this test report refer only to the sample(s) tested and such sample(s) are retained for 90 days only.

除非另有說明，此報告結果僅對測試之樣品負責，同時此樣品僅保留90天。本報告未經本公司書面許可，不可部份複製。

This document is issued by the Company subject to its General Conditions of Service printed overleaf, available on request or accessible at <http://www.sgs.com.tw/Terms-and-Conditions> and for electronic format documents, subject to Terms and Conditions for Electronic Documents at <http://www.sgs.com.tw/Terms-and-Conditions>. Attention is drawn to the limitation of liability, indemnification and jurisdiction issues defined therein. Any holder of this document is advised that information contained hereon reflects the Company's findings at the time of its intervention only and within the limits of Client's instructions, if any. The Company's sole responsibility is to its Client and this document does not exonerate parties to a transaction from exercising all their rights and obligations under the transaction documents. This document cannot be reproduced except in full, without prior written approval of the Company. Any unauthorized alteration, forgery or falsification of the content or appearance of this document is unlawful and offenders may be prosecuted to the fullest extent of the law.

LTE Band 25								
BW(MHz)	Modulation	RB Size	RB Offset	Conducted power (dBm)			Target Power + Max. Tolerance (dBm)	MPR Allowed per 3GPP(dB)
Frequency (MHz)				1860	1882.5	1905		
Channel				26140	26365	26590		
20	QPSK	1	0	16.48	16.45	16.42	17.50	0
		1	50	16.25	16.36	16.41	17.50	0
		1	99	16.32	16.35	16.25	17.50	0
		50	0	16.22	16.23	16.38	17.50	0
		50	25	16.36	16.34	16.39	17.50	0
		50	50	16.25	16.26	16.28	17.50	0
		100	0	16.42	16.37	16.39	17.50	0
20	16-QAM	1	0	16.42	16.32	16.30	17.50	0
		1	50	16.38	16.32	16.32	17.50	0
		1	99	16.31	16.32	16.29	17.50	0
		50	0	16.29	16.41	16.36	17.50	0
		50	25	16.37	16.34	16.34	17.50	0
		50	50	16.37	16.22	16.33	17.50	0
		100	0	16.33	16.39	16.31	17.50	0
20	64-QAM	1	0	16.30	16.26	16.28	17.50	0
		1	50	16.40	16.35	16.32	17.50	0
		1	99	16.32	16.37	16.40	17.50	0
		50	0	16.27	16.39	16.35	17.50	0
		50	25	16.29	16.33	16.37	17.50	0
		50	50	16.39	16.28	16.24	17.50	0
		100	0	16.41	16.35	16.23	17.50	0
20	256-QAM	1	0	16.35	16.41	16.27	17.50	0
		1	50	16.36	16.36	16.29	17.50	0
		1	99	16.27	16.38	16.29	17.50	0
		50	0	16.31	16.35	16.40	17.50	0
		50	25	16.22	16.29	16.33	17.50	0
		50	50	16.33	16.34	16.32	17.50	0
		100	0	16.42	16.28	16.35	17.50	0

Unless otherwise stated the results shown in this test report refer only to the sample(s) tested and such sample(s) are retained for 90 days only.

除非另有說明，此報告結果僅對測試之樣品負責，同時此樣品僅保留90天。本報告未經本公司書面許可，不可部份複製。

This document is issued by the Company subject to its General Conditions of Service printed overleaf, available on request or accessible at <http://www.sgs.com.tw/Terms-and-Conditions> and for electronic format documents, subject to Terms and Conditions for Electronic Documents at <http://www.sgs.com.tw/Terms-and-Conditions>. Attention is drawn to the limitation of liability, indemnification and jurisdiction issues defined therein. Any holder of this document is advised that information contained hereon reflects the Company's findings at the time of its intervention only and within the limits of Client's instructions, if any. The Company's sole responsibility is to its Client and this document does not exonerate parties to a transaction from exercising all their rights and obligations under the transaction documents. This document cannot be reproduced except in full, without prior written approval of the Company. Any unauthorized alteration, forgery or falsification of the content or appearance of this document is unlawful and offenders may be prosecuted to the fullest extent of the law.

LTE Band 25								
BW(MHz)	Modulation	RB Size	RB Offset	Conducted power (dBm)			Target Power + Max. Tolerance (dBm)	MPR Allowed per 3GPP(dB)
Frequency (MHz)				1857.5	1882.5	1907.5		
Channel				26115	26365	26615		
15	QPSK	1	0	16.34	16.29	16.36	17.50	0
		1	36	16.28	16.36	16.36	17.50	0
		1	74	16.28	16.23	16.35	17.50	0
		36	0	16.40	16.24	16.23	17.50	0
		36	18	16.36	16.31	16.37	17.50	0
		36	37	16.22	16.35	16.41	17.50	0
		75	0	16.34	16.38	16.26	17.50	0
15	16-QAM	1	0	16.27	16.40	16.26	17.50	0
		1	36	16.40	16.23	16.40	17.50	0
		1	74	16.39	16.25	16.33	17.50	0
		36	0	16.26	16.29	16.32	17.50	0
		36	18	16.25	16.36	16.34	17.50	0
		36	37	16.24	16.39	16.29	17.50	0
		75	0	16.28	16.25	16.27	17.50	0
15	64-QAM	1	0	16.35	16.37	16.41	17.50	0
		1	36	16.32	16.27	16.37	17.50	0
		1	74	16.28	16.25	16.34	17.50	0
		36	0	16.35	16.24	16.35	17.50	0
		36	18	16.27	16.36	16.27	17.50	0
		36	37	16.34	16.27	16.36	17.50	0
		75	0	16.28	16.32	16.27	17.50	0
15	256-QAM	1	0	16.23	16.24	16.39	17.50	0
		1	36	16.41	16.26	16.31	17.50	0
		1	74	16.42	16.40	16.31	17.50	0
		36	0	16.31	16.27	16.41	17.50	0
		36	18	16.42	16.24	16.41	17.50	0
		36	37	16.31	16.34	16.35	17.50	0
		75	0	16.41	16.37	16.30	17.50	0

Unless otherwise stated the results shown in this test report refer only to the sample(s) tested and such sample(s) are retained for 90 days only.

除非另有說明，此報告結果僅對測試之樣品負責，同時此樣品僅保留90天。本報告未經本公司書面許可，不可部份複製。

This document is issued by the Company subject to its General Conditions of Service printed overleaf, available on request or accessible at <http://www.sgs.com.tw/Terms-and-Conditions> and for electronic format documents, subject to Terms and Conditions for Electronic Documents at <http://www.sgs.com.tw/Terms-and-Conditions>. Attention is drawn to the limitation of liability, indemnification and jurisdiction issues defined therein. Any holder of this document is advised that information contained hereon reflects the Company's findings at the time of its intervention only and within the limits of Client's instructions, if any. The Company's sole responsibility is to its Client and this document does not exonerate parties to a transaction from exercising all their rights and obligations under the transaction documents. This document cannot be reproduced except in full, without prior written approval of the Company. Any unauthorized alteration, forgery or falsification of the content or appearance of this document is unlawful and offenders may be prosecuted to the fullest extent of the law.

LTE Band 25								
BW(MHz)	Modulation	RB Size	RB Offset	Conducted power (dBm)			Target Power + Max. Tolerance (dBm)	MPR Allowed per 3GPP(dB)
Frequency (MHz)				1855	1882.5	1910		
Channel				26090	26365	26640		
10	QPSK	1	0	16.36	16.40	16.39	17.50	0
		1	25	16.37	16.25	16.39	17.50	0
		1	49	16.23	16.38	16.33	17.50	0
		25	0	16.24	16.32	16.23	17.50	0
		25	12	16.22	16.40	16.26	17.50	0
		25	25	16.29	16.32	16.41	17.50	0
		50	0	16.23	16.28	16.27	17.50	0
10	16-QAM	1	0	16.28	16.42	16.31	17.50	0
		1	25	16.42	16.37	16.28	17.50	0
		1	49	16.41	16.27	16.37	17.50	0
		25	0	16.38	16.41	16.29	17.50	0
		25	12	16.27	16.28	16.36	17.50	0
		25	25	16.26	16.30	16.40	17.50	0
		50	0	16.29	16.23	16.29	17.50	0
10	64-QAM	1	0	16.41	16.29	16.33	17.50	0
		1	25	16.30	16.42	16.28	17.50	0
		1	49	16.24	16.41	16.41	17.50	0
		25	0	16.37	16.42	16.39	17.50	0
		25	12	16.39	16.36	16.35	17.50	0
		25	25	16.31	16.25	16.37	17.50	0
		50	0	16.29	16.36	16.39	17.50	0
10	256-QAM	1	0	16.29	16.24	16.27	17.50	0
		1	25	16.26	16.31	16.26	17.50	0
		1	49	16.42	16.24	16.30	17.50	0
		25	0	16.31	16.22	16.36	17.50	0
		25	12	16.28	16.31	16.41	17.50	0
		25	25	16.25	16.38	16.24	17.50	0
		50	0	16.28	16.27	16.33	17.50	0

Unless otherwise stated the results shown in this test report refer only to the sample(s) tested and such sample(s) are retained for 90 days only.

除非另有說明，此報告結果僅對測試之樣品負責，同時此樣品僅保留90天。本報告未經本公司書面許可，不可部份複製。

This document is issued by the Company subject to its General Conditions of Service printed overleaf, available on request or accessible at <http://www.sgs.com.tw/Terms-and-Conditions> and for electronic format documents, subject to Terms and Conditions for Electronic Documents at <http://www.sgs.com.tw/Terms-and-Conditions>. Attention is drawn to the limitation of liability, indemnification and jurisdiction issues defined therein. Any holder of this document is advised that information contained hereon reflects the Company's findings at the time of its intervention only and within the limits of Client's instructions, if any. The Company's sole responsibility is to its Client and this document does not exonerate parties to a transaction from exercising all their rights and obligations under the transaction documents. This document cannot be reproduced except in full, without prior written approval of the Company. Any unauthorized alteration, forgery or falsification of the content or appearance of this document is unlawful and offenders may be prosecuted to the fullest extent of the law.

LTE Band 25								
BW(MHz)	Modulation	RB Size	RB Offset	Conducted power (dBm)			Target Power + Max. Tolerance (dBm)	MPR Allowed per 3GPP(dB)
Frequency (MHz)				1852.5	1882.5	1912.5		
Channel				26065	26365	26665		
5	QPSK	1	0	16.33	16.25	16.33	17.50	0
		1	12	16.31	16.27	16.34	17.50	0
		1	24	16.23	16.31	16.25	17.50	0
		12	0	16.38	16.40	16.30	17.50	0
		12	6	16.38	16.33	16.39	17.50	0
		12	13	16.28	16.38	16.35	17.50	0
		25	0	16.32	16.31	16.33	17.50	0
5	16-QAM	1	0	16.36	16.27	16.23	17.50	0
		1	12	16.32	16.29	16.24	17.50	0
		1	24	16.41	16.27	16.24	17.50	0
		12	0	16.29	16.25	16.36	17.50	0
		12	6	16.37	16.22	16.38	17.50	0
		12	13	16.25	16.31	16.33	17.50	0
		25	0	16.42	16.24	16.39	17.50	0
5	64-QAM	1	0	16.37	16.24	16.38	17.50	0
		1	12	16.38	16.27	16.39	17.50	0
		1	24	16.32	16.35	16.38	17.50	0
		12	0	16.37	16.23	16.34	17.50	0
		12	6	16.38	16.26	16.39	17.50	0
		12	13	16.29	16.38	16.41	17.50	0
		25	0	16.31	16.28	16.33	17.50	0
5	256-QAM	1	0	16.34	16.32	16.30	17.50	0
		1	12	16.23	16.27	16.31	17.50	0
		1	24	16.27	16.28	16.22	17.50	0
		12	0	16.35	16.32	16.41	17.50	0
		12	6	16.26	16.41	16.32	17.50	0
		12	13	16.34	16.31	16.38	17.50	0
		25	0	16.28	16.39	16.29	17.50	0

Unless otherwise stated the results shown in this test report refer only to the sample(s) tested and such sample(s) are retained for 90 days only.

除非另有說明，此報告結果僅對測試之樣品負責，同時此樣品僅保留90天。本報告未經本公司書面許可，不可部份複製。

This document is issued by the Company subject to its General Conditions of Service printed overleaf, available on request or accessible at <http://www.sgs.com.tw/Terms-and-Conditions> and for electronic format documents, subject to Terms and Conditions for Electronic Documents at <http://www.sgs.com.tw/Terms-and-Conditions>. Attention is drawn to the limitation of liability, indemnification and jurisdiction issues defined therein. Any holder of this document is advised that information contained hereon reflects the Company's findings at the time of its intervention only and within the limits of Client's instructions, if any. The Company's sole responsibility is to its Client and this document does not exonerate parties to a transaction from exercising all their rights and obligations under the transaction documents. This document cannot be reproduced except in full, without prior written approval of the Company. Any unauthorized alteration, forgery or falsification of the content or appearance of this document is unlawful and offenders may be prosecuted to the fullest extent of the law.

LTE Band 25								
BW(MHz)	Modulation	RB Size	RB Offset	Conducted power (dBm)			Target Power + Max. Tolerance (dBm)	MPR Allowed per 3GPP(dB)
Frequency (MHz)				1851.5	1882.5	1913.5		
Channel				26055	26365	26675		
3	QPSK	1	0	16.45	16.36	16.30	17.50	0
		1	7	16.33	16.42	16.31	17.50	0
		1	14	16.45	16.37	16.35	17.50	0
		8	0	16.30	16.32	16.33	17.50	0
		8	4	16.26	16.43	16.26	17.50	0
		8	7	16.44	16.37	16.40	17.50	0
		15	0	16.43	16.27	16.45	17.50	0
3	16-QAM	1	0	16.27	16.40	16.40	17.50	0
		1	7	16.30	16.44	16.32	17.50	0
		1	14	16.33	16.34	16.38	17.50	0
		8	0	16.38	16.37	16.32	17.50	0
		8	4	16.40	16.43	16.42	17.50	0
		8	7	16.27	16.35	16.43	17.50	0
		15	0	16.39	16.44	16.26	17.50	0
3	64-QAM	1	0	16.39	16.43	16.39	17.50	0
		1	7	16.39	16.34	16.26	17.50	0
		1	14	16.32	16.27	16.31	17.50	0
		8	0	16.44	16.37	16.32	17.50	0
		8	4	16.35	16.31	16.37	17.50	0
		8	7	16.40	16.35	16.30	17.50	0
		15	0	16.31	16.35	16.33	17.50	0
3	256-QAM	1	0	16.36	16.37	16.40	17.50	0
		1	7	16.43	16.46	16.35	17.50	0
		1	14	16.46	16.36	16.36	17.50	0
		8	0	16.33	16.29	16.27	17.50	0
		8	4	16.36	16.35	16.27	17.50	0
		8	7	16.38	16.31	16.45	17.50	0
		15	0	16.44	16.28	16.27	17.50	0

Unless otherwise stated the results shown in this test report refer only to the sample(s) tested and such sample(s) are retained for 90 days only.

除非另有說明，此報告結果僅對測試之樣品負責，同時此樣品僅保留90天。本報告未經本公司書面許可，不可部份複製。

This document is issued by the Company subject to its General Conditions of Service printed overleaf, available on request or accessible at <http://www.sgs.com.tw/Terms-and-Conditions> and for electronic format documents, subject to Terms and Conditions for Electronic Documents at <http://www.sgs.com.tw/Terms-and-Conditions>. Attention is drawn to the limitation of liability, indemnification and jurisdiction issues defined therein. Any holder of this document is advised that information contained hereon reflects the Company's findings at the time of its intervention only and within the limits of Client's instructions, if any. The Company's sole responsibility is to its Client and this document does not exonerate parties to a transaction from exercising all their rights and obligations under the transaction documents. This document cannot be reproduced except in full, without prior written approval of the Company. Any unauthorized alteration, forgery or falsification of the content or appearance of this document is unlawful and offenders may be prosecuted to the fullest extent of the law.

LTE Band 25								
BW(MHz)	Modulation	RB Size	RB Offset	Conducted power (dBm)			Target Power + Max. Tolerance (dBm)	MPR Allowed per 3GPP(dB)
Frequency (MHz)				1850.7	1882.5	1914.3		
Channel				26047	26365	26683		
1.4	QPSK	1	0	16.35	16.32	16.37	17.50	0
		1	2	16.31	16.36	16.42	17.50	0
		1	5	16.33	16.43	16.35	17.50	0
		3	0	16.39	16.41	16.37	17.50	0
		3	2	16.32	16.30	16.38	17.50	0
		3	3	16.34	16.33	16.35	17.50	0
		6	0	16.41	16.42	16.27	17.50	0
1.4	16-QAM	1	0	16.32	16.41	16.29	17.50	0
		1	2	16.34	16.35	16.29	17.50	0
		1	5	16.27	16.40	16.39	17.50	0
		3	0	16.32	16.27	16.26	17.50	0
		3	2	16.39	16.34	16.44	17.50	0
		3	3	16.42	16.44	16.38	17.50	0
		6	0	16.44	16.28	16.32	17.50	0
1.4	64-QAM	1	0	16.29	16.44	16.31	17.50	0
		1	2	16.30	16.40	16.35	17.50	0
		1	5	16.30	16.40	16.41	17.50	0
		3	0	16.41	16.38	16.38	17.50	0
		3	2	16.38	16.29	16.39	17.50	0
		3	3	16.46	16.29	16.39	17.50	0
		6	0	16.30	16.43	16.32	17.50	0
1.4	256-QAM	1	0	16.43	16.41	16.45	17.50	0
		1	2	16.46	16.46	16.44	17.50	0
		1	5	16.34	16.26	16.43	17.50	0
		3	0	16.33	16.30	16.38	17.50	0
		3	2	16.46	16.45	16.34	17.50	0
		3	3	16.45	16.26	16.38	17.50	0
		6	0	16.29	16.42	16.31	17.50	0

Unless otherwise stated the results shown in this test report refer only to the sample(s) tested and such sample(s) are retained for 90 days only.

除非另有說明，此報告結果僅對測試之樣品負責，同時此樣品僅保留90天。本報告未經本公司書面許可，不可部份複製。

This document is issued by the Company subject to its General Conditions of Service printed overleaf, available on request or accessible at <http://www.sgs.com.tw/Terms-and-Conditions> and for electronic format documents, subject to Terms and Conditions for Electronic Documents at <http://www.sgs.com.tw/Terms-and-Conditions>. Attention is drawn to the limitation of liability, indemnification and jurisdiction issues defined therein. Any holder of this document is advised that information contained hereon reflects the Company's findings at the time of its intervention only and within the limits of Client's instructions, if any. The Company's sole responsibility is to its Client and this document does not exonerate parties to a transaction from exercising all their rights and obligations under the transaction documents. This document cannot be reproduced except in full, without prior written approval of the Company. Any unauthorized alteration, forgery or falsification of the content or appearance of this document is unlawful and offenders may be prosecuted to the fullest extent of the law.

LTE Band 26_FCC								
BW(MHz)	Modulation	RB Size	RB Offset	Conducted power (dBm)			Target Power + Max. Tolerance (dBm)	MPR Allowed per 3GPP(dB)
Frequency (MHz)				821.5	831.5	841.5		
Channel				26765	26865	26965		
15	QPSK	1	0	21.86	21.88	21.83	22.00	0
		1	36	21.78	21.79	21.69	22.00	0
		1	74	21.70	21.80	21.78	22.00	0
		36	0	21.79	21.66	21.78	22.00	0
		36	18	21.81	21.82	21.79	22.00	0
		36	37	21.66	21.72	21.76	22.00	0
		75	0	21.77	21.73	21.72	22.00	0
15	16-QAM	1	0	21.67	21.75	21.67	22.00	0
		1	36	21.72	21.68	21.78	22.00	0
		1	74	21.73	21.80	21.73	22.00	0
		36	0	21.80	21.69	21.73	22.00	0
		36	18	21.70	21.68	21.73	22.00	0
		36	37	21.65	21.83	21.73	22.00	0
		75	0	21.75	21.83	21.70	22.00	0
15	64-QAM	1	0	21.71	21.80	21.71	22.00	0
		1	36	21.82	21.84	21.66	22.00	0
		1	74	21.84	21.75	21.79	22.00	0
		36	0	21.72	21.78	21.82	22.00	0
		36	18	21.77	21.70	21.66	22.00	0
		36	37	21.75	21.83	21.68	22.00	0
		75	0	21.76	21.72	21.68	22.00	0
15	256-QAM	1	0	21.65	21.80	21.72	22.00	0
		1	36	21.71	21.66	21.74	22.00	0
		1	74	21.82	21.69	21.84	22.00	0
		36	0	21.70	21.82	21.76	22.00	0
		36	18	21.74	21.78	21.65	22.00	0
		36	37	21.65	21.67	21.83	22.00	0
		75	0	21.83	21.73	21.65	22.00	0

Unless otherwise stated the results shown in this test report refer only to the sample(s) tested and such sample(s) are retained for 90 days only.

除非另有說明，此報告結果僅對測試之樣品負責，同時此樣品僅保留90天。本報告未經本公司書面許可，不可部份複製。

This document is issued by the Company subject to its General Conditions of Service printed overleaf, available on request or accessible at <http://www.sgs.com.tw/Terms-and-Conditions> and for electronic format documents, subject to Terms and Conditions for Electronic Documents at <http://www.sgs.com.tw/Terms-and-Conditions>. Attention is drawn to the limitation of liability, indemnification and jurisdiction issues defined therein. Any holder of this document is advised that information contained hereon reflects the Company's findings at the time of its intervention only and within the limits of Client's instructions, if any. The Company's sole responsibility is to its Client and this document does not exonerate parties to a transaction from exercising all their rights and obligations under the transaction documents. This document cannot be reproduced except in full, without prior written approval of the Company. Any unauthorized alteration, forgery or falsification of the content or appearance of this document is unlawful and offenders may be prosecuted to the fullest extent of the law.

LTE Band 26_FCC								
BW(MHz)	Modulation	RB Size	RB Offset	Conducted power (dBm)			Target Power + Max. Tolerance (dBm)	MPR Allowed per 3GPP(dB)
Frequency (MHz)				819	831.5	844		
Channel				26740	26865	26990		
10	QPSK	1	0	21.70	21.69	21.70	22.00	0
		1	25	21.77	21.71	21.65	22.00	0
		1	49	21.80	21.81	21.72	22.00	0
		25	0	21.80	21.82	21.71	22.00	0
		25	12	21.77	21.73	21.67	22.00	0
		25	25	21.72	21.81	21.67	22.00	0
		50	0	21.67	21.83	21.70	22.00	0
10	16-QAM	1	0	21.82	21.83	21.71	22.00	0
		1	25	21.65	21.71	21.83	22.00	0
		1	49	21.66	21.83	21.71	22.00	0
		25	0	21.66	21.68	21.73	22.00	0
		25	12	21.83	21.67	21.65	22.00	0
		25	25	21.69	21.80	21.68	22.00	0
		50	0	21.69	21.68	21.73	22.00	0
10	64-QAM	1	0	21.72	21.78	21.73	22.00	0
		1	25	21.74	21.72	21.69	22.00	0
		1	49	21.70	21.76	21.68	22.00	0
		25	0	21.74	21.76	21.80	22.00	0
		25	12	21.74	21.81	21.76	22.00	0
		25	25	21.82	21.65	21.75	22.00	0
		50	0	21.74	21.73	21.70	22.00	0
10	256-QAM	1	0	21.81	21.82	21.82	22.00	0
		1	25	21.74	21.66	21.71	22.00	0
		1	49	21.76	21.83	21.70	22.00	0
		25	0	21.64	21.76	21.70	22.00	0
		25	12	21.68	21.73	21.65	22.00	0
		25	25	21.66	21.74	21.65	22.00	0
		50	0	21.67	21.75	21.78	22.00	0

Unless otherwise stated the results shown in this test report refer only to the sample(s) tested and such sample(s) are retained for 90 days only.

除非另有說明，此報告結果僅對測試之樣品負責，同時此樣品僅保留90天。本報告未經本公司書面許可，不可部份複製。

This document is issued by the Company subject to its General Conditions of Service printed overleaf, available on request or accessible at <http://www.sgs.com.tw/Terms-and-Conditions> and for electronic format documents, subject to Terms and Conditions for Electronic Documents at <http://www.sgs.com.tw/Terms-and-Conditions>. Attention is drawn to the limitation of liability, indemnification and jurisdiction issues defined therein. Any holder of this document is advised that information contained hereon reflects the Company's findings at the time of its intervention only and within the limits of Client's instructions, if any. The Company's sole responsibility is to its Client and this document does not exonerate parties to a transaction from exercising all their rights and obligations under the transaction documents. This document cannot be reproduced except in full, without prior written approval of the Company. Any unauthorized alteration, forgery or falsification of the content or appearance of this document is unlawful and offenders may be prosecuted to the fullest extent of the law.

LTE Band 26_FCC								
BW(MHz)	Modulation	RB Size	RB Offset	Conducted power (dBm)			Target Power + Max. Tolerance (dBm)	MPR Allowed per 3GPP(dB)
Frequency (MHz)				816.5	831.5	846.5		
Channel				26715	26865	27015		
5	QPSK	1	0	21.71	21.78	21.72	22.00	0
		1	12	21.83	21.76	21.81	22.00	0
		1	24	21.80	21.65	21.74	22.00	0
		12	0	21.75	21.69	21.65	22.00	0
		12	6	21.79	21.74	21.82	22.00	0
		12	13	21.74	21.64	21.65	22.00	0
		25	0	21.66	21.77	21.70	22.00	0
5	16-QAM	1	0	21.81	21.68	21.81	22.00	0
		1	12	21.67	21.72	21.81	22.00	0
		1	24	21.73	21.69	21.74	22.00	0
		12	0	21.72	21.67	21.79	22.00	0
		12	6	21.71	21.75	21.70	22.00	0
		12	13	21.78	21.70	21.84	22.00	0
		25	0	21.82	21.82	21.77	22.00	0
5	64-QAM	1	0	21.78	21.78	21.73	22.00	0
		1	12	21.83	21.66	21.68	22.00	0
		1	24	21.74	21.69	21.67	22.00	0
		12	0	21.78	21.67	21.71	22.00	0
		12	6	21.64	21.84	21.67	22.00	0
		12	13	21.68	21.70	21.83	22.00	0
		25	0	21.71	21.79	21.67	22.00	0
5	256-QAM	1	0	21.68	21.72	21.71	22.00	0
		1	12	21.75	21.75	21.77	22.00	0
		1	24	21.76	21.69	21.78	22.00	0
		12	0	21.73	21.67	21.81	22.00	0
		12	6	21.78	21.72	21.81	22.00	0
		12	13	21.74	21.84	21.66	22.00	0
		25	0	21.81	21.69	21.72	22.00	0

Unless otherwise stated the results shown in this test report refer only to the sample(s) tested and such sample(s) are retained for 90 days only.

除非另有說明，此報告結果僅對測試之樣品負責，同時此樣品僅保留90天。本報告未經本公司書面許可，不可部份複製。

This document is issued by the Company subject to its General Conditions of Service printed overleaf, available on request or accessible at <http://www.sgs.com.tw/Terms-and-Conditions> and for electronic format documents, subject to Terms and Conditions for Electronic Documents at <http://www.sgs.com.tw/Terms-and-Conditions>. Attention is drawn to the limitation of liability, indemnification and jurisdiction issues defined therein. Any holder of this document is advised that information contained hereon reflects the Company's findings at the time of its intervention only and within the limits of Client's instructions, if any. The Company's sole responsibility is to its Client and this document does not exonerate parties to a transaction from exercising all their rights and obligations under the transaction documents. This document cannot be reproduced except in full, without prior written approval of the Company. Any unauthorized alteration, forgery or falsification of the content or appearance of this document is unlawful and offenders may be prosecuted to the fullest extent of the law.

LTE Band 26_FCC								
BW(MHz)	Modulation	RB Size	RB Offset	Conducted power (dBm)			Target Power + Max. Tolerance (dBm)	MPR Allowed per 3GPP(dB)
Frequency (MHz)				815.5	831.5	847.5		
Channel				26705	26865	27025		
3	QPSK	1	0	21.78	21.72	21.75	22.00	0
		1	7	21.68	21.80	21.80	22.00	0
		1	14	21.71	21.76	21.64	22.00	0
		8	0	21.78	21.83	21.66	22.00	0
		8	4	21.77	21.65	21.82	22.00	0
		8	7	21.70	21.83	21.73	22.00	0
		15	0	21.81	21.70	21.73	22.00	0
3	16-QAM	1	0	21.68	21.65	21.76	22.00	0
		1	7	21.66	21.78	21.78	22.00	0
		1	14	21.78	21.81	21.77	22.00	0
		8	0	21.77	21.68	21.66	22.00	0
		8	4	21.67	21.69	21.82	22.00	0
		8	7	21.83	21.72	21.74	22.00	0
		15	0	21.80	21.76	21.78	22.00	0
3	64-QAM	1	0	21.64	21.72	21.83	22.00	0
		1	7	21.81	21.75	21.73	22.00	0
		1	14	21.82	21.64	21.68	22.00	0
		8	0	21.82	21.80	21.70	22.00	0
		8	4	21.64	21.84	21.79	22.00	0
		8	7	21.72	21.70	21.84	22.00	0
		15	0	21.71	21.66	21.69	22.00	0
3	256-QAM	1	0	21.74	21.82	21.79	22.00	0
		1	7	21.75	21.80	21.82	22.00	0
		1	14	21.74	21.79	21.78	22.00	0
		8	0	21.81	21.70	21.84	22.00	0
		8	4	21.67	21.80	21.74	22.00	0
		8	7	21.79	21.76	21.73	22.00	0
		15	0	21.77	21.76	21.71	22.00	0

Unless otherwise stated the results shown in this test report refer only to the sample(s) tested and such sample(s) are retained for 90 days only.

除非另有說明，此報告結果僅對測試之樣品負責，同時此樣品僅保留90天。本報告未經本公司書面許可，不可部份複製。

This document is issued by the Company subject to its General Conditions of Service printed overleaf, available on request or accessible at <http://www.sgs.com.tw/Terms-and-Conditions> and for electronic format documents, subject to Terms and Conditions for Electronic Documents at <http://www.sgs.com.tw/Terms-and-Conditions>. Attention is drawn to the limitation of liability, indemnification and jurisdiction issues defined therein. Any holder of this document is advised that information contained hereon reflects the Company's findings at the time of its intervention only and within the limits of Client's instructions, if any. The Company's sole responsibility is to its Client and this document does not exonerate parties to a transaction from exercising all their rights and obligations under the transaction documents. This document cannot be reproduced except in full, without prior written approval of the Company. Any unauthorized alteration, forgery or falsification of the content or appearance of this document is unlawful and offenders may be prosecuted to the fullest extent of the law.

LTE Band 26_FCC								
BW(MHz)	Modulation	RB Size	RB Offset	Conducted power (dBm)			Target Power + Max. Tolerance (dBm)	MPR Allowed per 3GPP(dB)
Frequency (MHz)				814.7	831.5	848.3		
Channel				26697	26865	27033		
1.4	QPSK	1	0	21.82	21.67	21.75	22.00	0
		1	2	21.78	21.66	21.81	22.00	0
		1	5	21.71	21.79	21.68	22.00	0
		3	0	21.69	21.79	21.68	22.00	0
		3	2	21.64	21.74	21.80	22.00	0
		3	3	21.82	21.70	21.79	22.00	0
		6	0	21.73	21.76	21.82	22.00	0
1.4	16-QAM	1	0	21.75	21.84	21.71	22.00	0
		1	2	21.81	21.68	21.75	22.00	0
		1	5	21.74	21.84	21.78	22.00	0
		3	0	21.70	21.70	21.72	22.00	0
		3	2	21.71	21.70	21.64	22.00	0
		3	3	21.69	21.82	21.65	22.00	0
		6	0	21.81	21.67	21.70	22.00	0
1.4	64-QAM	1	0	21.75	21.81	21.66	22.00	0
		1	2	21.65	21.81	21.72	22.00	0
		1	5	21.79	21.74	21.67	22.00	0
		3	0	21.79	21.76	21.83	22.00	0
		3	2	21.65	21.77	21.80	22.00	0
		3	3	21.66	21.74	21.76	22.00	0
		6	0	21.76	21.64	21.82	22.00	0
1.4	256-QAM	1	0	21.72	21.75	21.68	22.00	0
		1	2	21.79	21.74	21.66	22.00	0
		1	5	21.68	21.75	21.81	22.00	0
		3	0	21.84	21.83	21.83	22.00	0
		3	2	21.79	21.65	21.69	22.00	0
		3	3	21.77	21.74	21.70	22.00	0
		6	0	21.73	21.67	21.80	22.00	0

Unless otherwise stated the results shown in this test report refer only to the sample(s) tested and such sample(s) are retained for 90 days only.

除非另有說明，此報告結果僅對測試之樣品負責，同時此樣品僅保留90天。本報告未經本公司書面許可，不可部份複製。

This document is issued by the Company subject to its General Conditions of Service printed overleaf, available on request or accessible at <http://www.sgs.com.tw/Terms-and-Conditions> and for electronic format documents, subject to Terms and Conditions for Electronic Documents at <http://www.sgs.com.tw/Terms-and-Conditions>. Attention is drawn to the limitation of liability, indemnification and jurisdiction issues defined therein. Any holder of this document is advised that information contained hereon reflects the Company's findings at the time of its intervention only and within the limits of Client's instructions, if any. The Company's sole responsibility is to its Client and this document does not exonerate parties to a transaction from exercising all their rights and obligations under the transaction documents. This document cannot be reproduced except in full, without prior written approval of the Company. Any unauthorized alteration, forgery or falsification of the content or appearance of this document is unlawful and offenders may be prosecuted to the fullest extent of the law.

LTE Band 30								
BW(MHz)	Modulation	RB Size	RB Offset	Conducted power (dBm)			Target Power + Max. Tolerance (dBm)	MPR Allowed per 3GPP(dB)
Frequency (MHz)				2310	2310	2310		
Channel				27710	27710	27710		
10	QPSK	1	0		17.58		18.00	0
		1	25		17.44		18.00	0
		1	49		17.41		18.00	0
		25	0		17.54		18.00	0
		25	12		17.39		18.00	0
		25	25		17.44		18.00	0
		50	0		17.50		18.00	0
10	16-QAM	1	0		17.50		18.00	0
		1	25		17.53		18.00	0
		1	49		17.48		18.00	0
		25	0		17.44		18.00	0
		25	12		17.45		18.00	0
		25	25		17.52		18.00	0
		50	0		17.39		18.00	0
10	64-QAM	1	0		17.42		18.00	0
		1	25		17.40		18.00	0
		1	49		17.45		18.00	0
		25	0		17.50		18.00	0
		25	12		17.46		18.00	0
		25	25		17.44		18.00	0
		50	0		17.44		18.00	0
10	256-QAM	1	0		17.41		18.00	0
		1	25		17.44		18.00	0
		1	49		17.42		18.00	0
		25	0		17.53		18.00	0
		25	12		17.37		18.00	0
		25	25		17.41		18.00	0
		50	0		17.46		18.00	0

Unless otherwise stated the results shown in this test report refer only to the sample(s) tested and such sample(s) are retained for 90 days only.

除非另有說明，此報告結果僅對測試之樣品負責，同時此樣品僅保留90天。本報告未經本公司書面許可，不可部份複製。

This document is issued by the Company subject to its General Conditions of Service printed overleaf, available on request or accessible at <http://www.sgs.com.tw/Terms-and-Conditions> and for electronic format documents, subject to Terms and Conditions for Electronic Documents at <http://www.sgs.com.tw/Terms-and-Conditions>. Attention is drawn to the limitation of liability, indemnification and jurisdiction issues defined therein. Any holder of this document is advised that information contained hereon reflects the Company's findings at the time of its intervention only and within the limits of Client's instructions, if any. The Company's sole responsibility is to its Client and this document does not exonerate parties to a transaction from exercising all their rights and obligations under the transaction documents. This document cannot be reproduced except in full, without prior written approval of the Company. Any unauthorized alteration, forgery or falsification of the content or appearance of this document is unlawful and offenders may be prosecuted to the fullest extent of the law.

LTE Band 30								
BW(MHz)	Modulation	RB Size	RB Offset	Conducted power (dBm)			Target Power + Max. Tolerance (dBm)	MPR Allowed per 3GPP(dB)
Frequency (MHz)				2307.5	2310	2312.5		
Channel				27685	27710	27735		
5	QPSK	1	0	17.55	17.37	17.42	18.00	0
		1	12	17.56	17.53	17.53	18.00	0
		1	24	17.57	17.46	17.55	18.00	0
		12	0	17.47	17.44	17.37	18.00	0
		12	6	17.51	17.44	17.49	18.00	0
		12	13	17.54	17.43	17.44	18.00	0
		25	0	17.41	17.37	17.48	18.00	0
5	16-QAM	1	0	17.42	17.56	17.45	18.00	0
		1	12	17.49	17.38	17.50	18.00	0
		1	24	17.42	17.40	17.41	18.00	0
		12	0	17.52	17.51	17.56	18.00	0
		12	6	17.53	17.56	17.43	18.00	0
		12	13	17.54	17.49	17.45	18.00	0
		25	0	17.49	17.52	17.42	18.00	0
5	64-QAM	1	0	17.40	17.55	17.50	18.00	0
		1	12	17.54	17.57	17.47	18.00	0
		1	24	17.42	17.49	17.42	18.00	0
		12	0	17.57	17.57	17.41	18.00	0
		12	6	17.44	17.52	17.48	18.00	0
		12	13	17.57	17.47	17.54	18.00	0
		25	0	17.40	17.40	17.45	18.00	0
5	256-QAM	1	0	17.55	17.42	17.46	18.00	0
		1	12	17.40	17.53	17.47	18.00	0
		1	24	17.40	17.57	17.50	18.00	0
		12	0	17.46	17.54	17.49	18.00	0
		12	6	17.45	17.38	17.52	18.00	0
		12	13	17.40	17.41	17.45	18.00	0
		25	0	17.50	17.54	17.55	18.00	0

Unless otherwise stated the results shown in this test report refer only to the sample(s) tested and such sample(s) are retained for 90 days only.

除非另有說明，此報告結果僅對測試之樣品負責，同時此樣品僅保留90天。本報告未經本公司書面許可，不可部份複製。

This document is issued by the Company subject to its General Conditions of Service printed overleaf, available on request or accessible at <http://www.sgs.com.tw/Terms-and-Conditions> and for electronic format documents, subject to Terms and Conditions for Electronic Documents at <http://www.sgs.com.tw/Terms-and-Conditions>. Attention is drawn to the limitation of liability, indemnification and jurisdiction issues defined therein. Any holder of this document is advised that information contained hereon reflects the Company's findings at the time of its intervention only and within the limits of Client's instructions, if any. The Company's sole responsibility is to its Client and this document does not exonerate parties to a transaction from exercising all their rights and obligations under the transaction documents. This document cannot be reproduced except in full, without prior written approval of the Company. Any unauthorized alteration, forgery or falsification of the content or appearance of this document is unlawful and offenders may be prosecuted to the fullest extent of the law.

LTE Band 66								
BW(MHz)	Modulation	RB Size	RB Offset	Conducted power (dBm)			Target Power + Max. Tolerance (dBm)	MPR Allowed per 3GPP(dB)
Frequency (MHz)				1720	1745	1770		
Channel				132072	132322	132572		
20	QPSK	1	0	17.73	17.75	17.78	18.50	0
		1	50	17.62	17.65	17.59	18.50	0
		1	99	17.62	17.69	17.65	18.50	0
		50	0	17.71	17.71	17.74	18.50	0
		50	25	17.64	17.67	17.72	18.50	0
		50	50	17.60	17.62	17.69	18.50	0
		100	0	17.70	17.72	17.70	18.50	0
20	16-QAM	1	0	17.77	17.58	17.67	18.50	0
		1	50	17.61	17.72	17.61	18.50	0
		1	99	17.75	17.71	17.73	18.50	0
		50	0	17.65	17.72	17.63	18.50	0
		50	25	17.63	17.66	17.65	18.50	0
		50	50	17.61	17.63	17.69	18.50	0
		100	0	17.67	17.75	17.63	18.50	0
20	64-QAM	1	0	17.68	17.58	17.60	18.50	0
		1	50	17.66	17.60	17.64	18.50	0
		1	99	17.51	17.59	17.69	18.50	0
		50	0	17.68	17.53	17.62	18.50	0
		50	25	17.60	17.51	17.51	18.50	0
		50	50	17.51	17.51	17.54	18.50	0
		100	0	17.50	17.64	17.62	18.50	0
20	256-QAM	1	0	17.64	17.64	17.67	18.50	0
		1	50	17.54	17.53	17.53	18.50	0
		1	99	17.63	17.60	17.68	18.50	0
		50	0	17.57	17.59	17.60	18.50	0
		50	25	17.55	17.59	17.51	18.50	0
		50	50	17.67	17.65	17.55	18.50	0
		100	0	17.57	17.68	17.61	18.50	0

Unless otherwise stated the results shown in this test report refer only to the sample(s) tested and such sample(s) are retained for 90 days only.

除非另有說明，此報告結果僅對測試之樣品負責，同時此樣品僅保留90天。本報告未經本公司書面許可，不可部份複製。

This document is issued by the Company subject to its General Conditions of Service printed overleaf, available on request or accessible at <http://www.sgs.com.tw/Terms-and-Conditions> and for electronic format documents, subject to Terms and Conditions for Electronic Documents at <http://www.sgs.com.tw/Terms-and-Conditions>. Attention is drawn to the limitation of liability, indemnification and jurisdiction issues defined therein. Any holder of this document is advised that information contained hereon reflects the Company's findings at the time of its intervention only and within the limits of Client's instructions, if any. The Company's sole responsibility is to its Client and this document does not exonerate parties to a transaction from exercising all their rights and obligations under the transaction documents. This document cannot be reproduced except in full, without prior written approval of the Company. Any unauthorized alteration, forgery or falsification of the content or appearance of this document is unlawful and offenders may be prosecuted to the fullest extent of the law.

LTE Band 66								
BW(MHz)	Modulation	RB Size	RB Offset	Conducted power (dBm)			Target Power + Max. Tolerance (dBm)	MPR Allowed per 3GPP(dB)
Frequency (MHz)				1717.5	1745	1772.5		
Channel				132047	132322	132597		
15	QPSK	1	0	17.63	17.66	17.65	18.50	0
		1	36	17.51	17.57	17.57	18.50	0
		1	74	17.54	17.58	17.53	18.50	0
		36	0	17.52	17.60	17.60	18.50	0
		36	18	17.54	17.70	17.50	18.50	0
		36	37	17.68	17.56	17.58	18.50	0
		75	0	17.64	17.69	17.57	18.50	0
15	16-QAM	1	0	17.57	17.55	17.50	18.50	0
		1	36	17.61	17.61	17.60	18.50	0
		1	74	17.64	17.55	17.58	18.50	0
		36	0	17.62	17.56	17.68	18.50	0
		36	18	17.67	17.62	17.52	18.50	0
		36	37	17.55	17.53	17.61	18.50	0
		75	0	17.69	17.65	17.58	18.50	0
15	64-QAM	1	0	17.51	17.56	17.60	18.50	0
		1	36	17.54	17.65	17.51	18.50	0
		1	74	17.62	17.59	17.51	18.50	0
		36	0	17.57	17.55	17.52	18.50	0
		36	18	17.62	17.59	17.57	18.50	0
		36	37	17.62	17.55	17.68	18.50	0
		75	0	17.51	17.64	17.69	18.50	0
15	256-QAM	1	0	17.69	17.52	17.61	18.50	0
		1	36	17.54	17.57	17.69	18.50	0
		1	74	17.65	17.61	17.65	18.50	0
		36	0	17.67	17.52	17.69	18.50	0
		36	18	17.60	17.63	17.50	18.50	0
		36	37	17.64	17.58	17.55	18.50	0
		75	0	17.69	17.58	17.69	18.50	0

Unless otherwise stated the results shown in this test report refer only to the sample(s) tested and such sample(s) are retained for 90 days only.

除非另有說明，此報告結果僅對測試之樣品負責，同時此樣品僅保留90天。本報告未經本公司書面許可，不可部份複製。

This document is issued by the Company subject to its General Conditions of Service printed overleaf, available on request or accessible at <http://www.sgs.com.tw/Terms-and-Conditions> and for electronic format documents, subject to Terms and Conditions for Electronic Documents at <http://www.sgs.com.tw/Terms-and-Conditions>. Attention is drawn to the limitation of liability, indemnification and jurisdiction issues defined therein. Any holder of this document is advised that information contained hereon reflects the Company's findings at the time of its intervention only and within the limits of Client's instructions, if any. The Company's sole responsibility is to its Client and this document does not exonerate parties to a transaction from exercising all their rights and obligations under the transaction documents. This document cannot be reproduced except in full, without prior written approval of the Company. Any unauthorized alteration, forgery or falsification of the content or appearance of this document is unlawful and offenders may be prosecuted to the fullest extent of the law.

LTE Band 66								
BW(MHz)	Modulation	RB Size	RB Offset	Conducted power (dBm)			Target Power + Max. Tolerance (dBm)	MPR Allowed per 3GPP(dB)
Frequency (MHz)				1715	1745	1775		
Channel				132022	132322	132622		
10	QPSK	1	0	17.60	17.63	17.63	18.50	0
		1	25	17.69	17.60	17.51	18.50	0
		1	49	17.65	17.65	17.67	18.50	0
		25	0	17.57	17.62	17.57	18.50	0
		25	12	17.57	17.59	17.69	18.50	0
		25	25	17.51	17.66	17.62	18.50	0
		50	0	17.67	17.63	17.69	18.50	0
10	16-QAM	1	0	17.53	17.58	17.56	18.50	0
		1	25	17.61	17.56	17.57	18.50	0
		1	49	17.60	17.67	17.53	18.50	0
		25	0	17.65	17.52	17.58	18.50	0
		25	12	17.64	17.56	17.55	18.50	0
		25	25	17.68	17.64	17.68	18.50	0
		50	0	17.57	17.66	17.56	18.50	0
10	64-QAM	1	0	17.55	17.65	17.53	18.50	0
		1	25	17.59	17.54	17.60	18.50	0
		1	49	17.67	17.69	17.68	18.50	0
		25	0	17.55	17.55	17.61	18.50	0
		25	12	17.56	17.52	17.69	18.50	0
		25	25	17.66	17.57	17.66	18.50	0
		50	0	17.63	17.62	17.55	18.50	0
10	256-QAM	1	0	17.55	17.69	17.65	18.50	0
		1	25	17.68	17.66	17.50	18.50	0
		1	49	17.59	17.66	17.66	18.50	0
		25	0	17.57	17.60	17.55	18.50	0
		25	12	17.62	17.68	17.57	18.50	0
		25	25	17.67	17.56	17.61	18.50	0
		50	0	17.53	17.60	17.58	18.50	0

Unless otherwise stated the results shown in this test report refer only to the sample(s) tested and such sample(s) are retained for 90 days only.

除非另有說明，此報告結果僅對測試之樣品負責，同時此樣品僅保留90天。本報告未經本公司書面許可，不可部份複製。

This document is issued by the Company subject to its General Conditions of Service printed overleaf, available on request or accessible at <http://www.sgs.com.tw/Terms-and-Conditions> and for electronic format documents, subject to Terms and Conditions for Electronic Documents at <http://www.sgs.com.tw/Terms-and-Conditions>. Attention is drawn to the limitation of liability, indemnification and jurisdiction issues defined therein. Any holder of this document is advised that information contained hereon reflects the Company's findings at the time of its intervention only and within the limits of Client's instructions, if any. The Company's sole responsibility is to its Client and this document does not exonerate parties to a transaction from exercising all their rights and obligations under the transaction documents. This document cannot be reproduced except in full, without prior written approval of the Company. Any unauthorized alteration, forgery or falsification of the content or appearance of this document is unlawful and offenders may be prosecuted to the fullest extent of the law.

LTE Band 66								
BW(MHz)	Modulation	RB Size	RB Offset	Conducted power (dBm)			Target Power + Max. Tolerance (dBm)	MPR Allowed per 3GPP(dB)
Frequency (MHz)				1712.5	1745	1777.5		
Channel				131997	132322	132647		
5	QPSK	1	0	17.50	17.58	17.64	18.50	0
		1	12	17.66	17.68	17.50	18.50	0
		1	24	17.62	17.51	17.54	18.50	0
		12	0	17.57	17.52	17.57	18.50	0
		12	6	17.68	17.69	17.61	18.50	0
		12	13	17.54	17.54	17.58	18.50	0
		25	0	17.54	17.64	17.56	18.50	0
5	16-QAM	1	0	17.60	17.61	17.56	18.50	0
		1	12	17.64	17.56	17.61	18.50	0
		1	24	17.58	17.55	17.58	18.50	0
		12	0	17.63	17.53	17.55	18.50	0
		12	6	17.60	17.58	17.57	18.50	0
		12	13	17.52	17.65	17.68	18.50	0
		25	0	17.54	17.67	17.68	18.50	0
5	64-QAM	1	0	17.60	17.68	17.61	18.50	0
		1	12	17.54	17.70	17.61	18.50	0
		1	24	17.51	17.58	17.67	18.50	0
		12	0	17.51	17.64	17.68	18.50	0
		12	6	17.57	17.52	17.66	18.50	0
		12	13	17.56	17.51	17.57	18.50	0
		25	0	17.52	17.66	17.51	18.50	0
5	256-QAM	1	0	17.52	17.66	17.50	18.50	0
		1	12	17.59	17.68	17.56	18.50	0
		1	24	17.66	17.57	17.67	18.50	0
		12	0	17.53	17.66	17.58	18.50	0
		12	6	17.59	17.52	17.60	18.50	0
		12	13	17.60	17.51	17.54	18.50	0
		25	0	17.52	17.58	17.66	18.50	0

Unless otherwise stated the results shown in this test report refer only to the sample(s) tested and such sample(s) are retained for 90 days only.

除非另有說明，此報告結果僅對測試之樣品負責，同時此樣品僅保留90天。本報告未經本公司書面許可，不可部份複製。

This document is issued by the Company subject to its General Conditions of Service printed overleaf, available on request or accessible at <http://www.sgs.com.tw/Terms-and-Conditions> and for electronic format documents, subject to Terms and Conditions for Electronic Documents at <http://www.sgs.com.tw/Terms-and-Conditions>. Attention is drawn to the limitation of liability, indemnification and jurisdiction issues defined therein. Any holder of this document is advised that information contained hereon reflects the Company's findings at the time of its intervention only and within the limits of Client's instructions, if any. The Company's sole responsibility is to its Client and this document does not exonerate parties to a transaction from exercising all their rights and obligations under the transaction documents. This document cannot be reproduced except in full, without prior written approval of the Company. Any unauthorized alteration, forgery or falsification of the content or appearance of this document is unlawful and offenders may be prosecuted to the fullest extent of the law.

LTE Band 66								
BW(MHz)	Modulation	RB Size	RB Offset	Conducted power (dBm)			Target Power + Max. Tolerance (dBm)	MPR Allowed per 3GPP(dB)
Frequency (MHz)				1711.5	1745	1778.5		
Channel				131987	132322	132657		
3	QPSK	1	0	17.60	17.56	17.57	18.50	0
		1	7	17.61	17.57	17.62	18.50	0
		1	14	17.58	17.65	17.54	18.50	0
		8	0	17.61	17.60	17.64	18.50	0
		8	4	17.63	17.52	17.64	18.50	0
		8	7	17.70	17.70	17.50	18.50	0
		15	0	17.65	17.62	17.50	18.50	0
3	16-QAM	1	0	17.67	17.66	17.60	18.50	0
		1	7	17.59	17.64	17.58	18.50	0
		1	14	17.70	17.54	17.58	18.50	0
		8	0	17.68	17.65	17.59	18.50	0
		8	4	17.63	17.67	17.66	18.50	0
		8	7	17.54	17.66	17.52	18.50	0
		15	0	17.67	17.68	17.59	18.50	0
3	64-QAM	1	0	17.62	17.58	17.53	18.50	0
		1	7	17.65	17.53	17.56	18.50	0
		1	14	17.57	17.51	17.51	18.50	0
		8	0	17.68	17.69	17.69	18.50	0
		8	4	17.57	17.56	17.57	18.50	0
		8	7	17.61	17.52	17.58	18.50	0
		15	0	17.60	17.62	17.56	18.50	0
3	256-QAM	1	0	17.63	17.68	17.56	18.50	0
		1	7	17.53	17.50	17.63	18.50	0
		1	14	17.61	17.69	17.57	18.50	0
		8	0	17.66	17.52	17.68	18.50	0
		8	4	17.70	17.61	17.62	18.50	0
		8	7	17.62	17.52	17.69	18.50	0
		15	0	17.51	17.54	17.57	18.50	0

Unless otherwise stated the results shown in this test report refer only to the sample(s) tested and such sample(s) are retained for 90 days only.

除非另有說明，此報告結果僅對測試之樣品負責，同時此樣品僅保留90天。本報告未經本公司書面許可，不可部份複製。

This document is issued by the Company subject to its General Conditions of Service printed overleaf, available on request or accessible at <http://www.sgs.com.tw/Terms-and-Conditions> and for electronic format documents, subject to Terms and Conditions for Electronic Documents at <http://www.sgs.com.tw/Terms-and-Conditions>. Attention is drawn to the limitation of liability, indemnification and jurisdiction issues defined therein. Any holder of this document is advised that information contained hereon reflects the Company's findings at the time of its intervention only and within the limits of Client's instructions, if any. The Company's sole responsibility is to its Client and this document does not exonerate parties to a transaction from exercising all their rights and obligations under the transaction documents. This document cannot be reproduced except in full, without prior written approval of the Company. Any unauthorized alteration, forgery or falsification of the content or appearance of this document is unlawful and offenders may be prosecuted to the fullest extent of the law.

LTE Band 66								
BW(MHz)	Modulation	RB Size	RB Offset	Conducted power (dBm)			Target Power + Max. Tolerance (dBm)	MPR Allowed per 3GPP(dB)
Frequency (MHz)				1710.7	1745	1779.3		
Channel				131979	132322	132665		
1.4	QPSK	1	0	17.66	17.66	17.68	18.50	0
		1	2	17.56	17.66	17.53	18.50	0
		1	5	17.58	17.65	17.64	18.50	0
		3	0	17.61	17.55	17.52	18.50	0
		3	2	17.55	17.63	17.70	18.50	0
		3	3	17.52	17.57	17.59	18.50	0
		6	0	17.67	17.55	17.67	18.50	0
1.4	16-QAM	1	0	17.52	17.62	17.63	18.50	0
		1	2	17.61	17.53	17.67	18.50	0
		1	5	17.59	17.65	17.61	18.50	0
		3	0	17.68	17.68	17.69	18.50	0
		3	2	17.59	17.52	17.67	18.50	0
		3	3	17.66	17.66	17.59	18.50	0
		6	0	17.54	17.59	17.61	18.50	0
1.4	64-QAM	1	0	17.64	17.54	17.69	18.50	0
		1	2	17.60	17.58	17.66	18.50	0
		1	5	17.67	17.59	17.66	18.50	0
		3	0	17.51	17.67	17.61	18.50	0
		3	2	17.64	17.61	17.61	18.50	0
		3	3	17.63	17.61	17.68	18.50	0
		6	0	17.53	17.51	17.54	18.50	0
1.4	256-QAM	1	0	17.51	17.67	17.53	18.50	0
		1	2	17.61	17.54	17.55	18.50	0
		1	5	17.67	17.59	17.67	18.50	0
		3	0	17.69	17.56	17.63	18.50	0
		3	2	17.54	17.61	17.69	18.50	0
		3	3	17.61	17.56	17.60	18.50	0
		6	0	17.69	17.65	17.70	18.50	0

Unless otherwise stated the results shown in this test report refer only to the sample(s) tested and such sample(s) are retained for 90 days only.

除非另有說明，此報告結果僅對測試之樣品負責，同時此樣品僅保留90天。本報告未經本公司書面許可，不可部份複製。

This document is issued by the Company subject to its General Conditions of Service printed overleaf, available on request or accessible at <http://www.sgs.com.tw/Terms-and-Conditions> and for electronic format documents, subject to Terms and Conditions for Electronic Documents at <http://www.sgs.com.tw/Terms-and-Conditions>. Attention is drawn to the limitation of liability, indemnification and jurisdiction issues defined therein. Any holder of this document is advised that information contained hereon reflects the Company's findings at the time of its intervention only and within the limits of Client's instructions, if any. The Company's sole responsibility is to its Client and this document does not exonerate parties to a transaction from exercising all their rights and obligations under the transaction documents. This document cannot be reproduced except in full, without prior written approval of the Company. Any unauthorized alteration, forgery or falsification of the content or appearance of this document is unlawful and offenders may be prosecuted to the fullest extent of the law.

LTE Band 71								
BW(MHz)	Modulation	RB Size	RB Offset	Conducted power (dBm)			Target Power + Max. Tolerance (dBm)	MPR Allowed per 3GPP(dB)
Frequency (MHz)				673	680.5	688		
Channel				133222	133297	133372		
20	QPSK	1	0	22.96	22.99	22.95	23.00	0
		1	50	22.90	22.89	22.85	23.00	0
		1	99	22.83	22.92	22.90	23.00	0
		50	0	22.90	22.95	22.92	23.00	0
		50	25	22.85	22.87	22.84	23.00	0
		50	50	22.82	22.83	22.78	23.00	0
		100	0	22.86	22.90	22.83	23.00	0
20	16-QAM	1	0	22.80	22.81	22.95	23.00	0
		1	50	22.97	22.91	22.91	23.00	0
		1	99	22.86	22.91	22.88	23.00	0
		50	0	22.84	22.84	22.96	23.00	0
		50	25	22.94	22.97	22.78	23.00	0
		50	50	22.84	22.84	22.81	23.00	0
		100	0	22.91	22.84	22.82	23.00	0
20	64-QAM	1	0	22.85	22.79	22.89	23.00	0
		1	50	22.95	22.94	22.86	23.00	0
		1	99	22.90	22.96	22.95	23.00	0
		50	0	22.81	22.78	22.84	23.00	0
		50	25	22.92	22.82	22.85	23.00	0
		50	50	22.86	22.82	22.96	23.00	0
		100	0	22.98	22.90	22.86	23.00	0
20	256-QAM	1	0	22.88	22.93	22.80	23.00	0
		1	50	22.92	22.85	22.93	23.00	0
		1	99	22.88	22.79	22.95	23.00	0
		50	0	22.91	22.87	22.81	23.00	0
		50	25	22.92	22.97	22.95	23.00	0
		50	50	22.84	22.81	22.93	23.00	0
		100	0	22.86	22.82	22.89	23.00	0

Unless otherwise stated the results shown in this test report refer only to the sample(s) tested and such sample(s) are retained for 90 days only.

除非另有說明，此報告結果僅對測試之樣品負責，同時此樣品僅保留90天。本報告未經本公司書面許可，不可部份複製。

This document is issued by the Company subject to its General Conditions of Service printed overleaf, available on request or accessible at <http://www.sgs.com.tw/Terms-and-Conditions> and for electronic format documents, subject to Terms and Conditions for Electronic Documents at <http://www.sgs.com.tw/Terms-and-Conditions>. Attention is drawn to the limitation of liability, indemnification and jurisdiction issues defined therein. Any holder of this document is advised that information contained hereon reflects the Company's findings at the time of its intervention only and within the limits of Client's instructions, if any. The Company's sole responsibility is to its Client and this document does not exonerate parties to a transaction from exercising all their rights and obligations under the transaction documents. This document cannot be reproduced except in full, without prior written approval of the Company. Any unauthorized alteration, forgery or falsification of the content or appearance of this document is unlawful and offenders may be prosecuted to the fullest extent of the law.

LTE Band 71								
BW(MHz)	Modulation	RB Size	RB Offset	Conducted power (dBm)			Target Power + Max. Tolerance (dBm)	MPR Allowed per 3GPP(dB)
Frequency (MHz)				670.5	680.5	690.5		
Channel				133197	133297	133397		
15	QPSK	1	0	22.81	22.94	22.92	23.00	0
		1	36	22.81	22.89	22.86	23.00	0
		1	74	22.87	22.95	22.95	23.00	0
		36	0	22.95	22.91	22.93	23.00	0
		36	18	22.84	22.89	22.85	23.00	0
		36	37	22.88	22.95	22.80	23.00	0
		75	0	22.96	22.96	22.85	23.00	0
15	16-QAM	1	0	22.87	22.84	22.81	23.00	0
		1	36	22.97	22.92	22.86	23.00	0
		1	74	22.86	22.97	22.95	23.00	0
		36	0	22.80	22.87	22.94	23.00	0
		36	18	22.96	22.93	22.97	23.00	0
		36	37	22.85	22.81	22.85	23.00	0
		75	0	22.81	22.88	22.96	23.00	0
15	64-QAM	1	0	22.83	22.80	22.94	23.00	0
		1	36	22.97	22.97	22.88	23.00	0
		1	74	22.87	22.86	22.89	23.00	0
		36	0	22.88	22.83	22.91	23.00	0
		36	18	22.94	22.83	22.98	23.00	0
		36	37	22.91	22.97	22.97	23.00	0
		75	0	22.88	22.79	22.84	23.00	0
15	256-QAM	1	0	22.85	22.95	22.93	23.00	0
		1	36	22.96	22.96	22.84	23.00	0
		1	74	22.82	22.79	22.82	23.00	0
		36	0	22.93	22.83	22.83	23.00	0
		36	18	22.78	22.86	22.84	23.00	0
		36	37	22.81	22.96	22.84	23.00	0
		75	0	22.88	22.97	22.98	23.00	0

Unless otherwise stated the results shown in this test report refer only to the sample(s) tested and such sample(s) are retained for 90 days only.

除非另有說明，此報告結果僅對測試之樣品負責，同時此樣品僅保留90天。本報告未經本公司書面許可，不可部份複製。

This document is issued by the Company subject to its General Conditions of Service printed overleaf, available on request or accessible at <http://www.sgs.com.tw/Terms-and-Conditions> and for electronic format documents, subject to Terms and Conditions for Electronic Documents at <http://www.sgs.com.tw/Terms-and-Conditions>. Attention is drawn to the limitation of liability, indemnification and jurisdiction issues defined therein. Any holder of this document is advised that information contained hereon reflects the Company's findings at the time of its intervention only and within the limits of Client's instructions, if any. The Company's sole responsibility is to its Client and this document does not exonerate parties to a transaction from exercising all their rights and obligations under the transaction documents. This document cannot be reproduced except in full, without prior written approval of the Company. Any unauthorized alteration, forgery or falsification of the content or appearance of this document is unlawful and offenders may be prosecuted to the fullest extent of the law.

LTE Band 71								
BW(MHz)	Modulation	RB Size	RB Offset	Conducted power (dBm)			Target Power + Max. Tolerance (dBm)	MPR Allowed per 3GPP(dB)
Frequency (MHz)				668	680.5	693		
Channel				133172	133297	133422		
10	QPSK	1	0	22.98	22.87	22.88	23.00	0
		1	25	22.93	22.83	22.93	23.00	0
		1	49	22.93	22.83	22.90	23.00	0
		25	0	22.94	22.88	22.96	23.00	0
		25	12	22.96	22.81	22.88	23.00	0
		25	25	22.88	22.82	22.86	23.00	0
		50	0	22.90	22.93	22.97	23.00	0
10	16-QAM	1	0	22.84	22.81	22.83	23.00	0
		1	25	22.94	22.93	22.88	23.00	0
		1	49	22.84	22.79	22.89	23.00	0
		25	0	22.88	22.81	22.95	23.00	0
		25	12	22.94	22.88	22.88	23.00	0
		25	25	22.81	22.87	22.87	23.00	0
		50	0	22.81	22.97	22.90	23.00	0
10	64-QAM	1	0	22.90	22.87	22.81	23.00	0
		1	25	22.89	22.83	22.82	23.00	0
		1	49	22.83	22.85	22.98	23.00	0
		25	0	22.92	22.91	22.82	23.00	0
		25	12	22.92	22.97	22.94	23.00	0
		25	25	22.95	22.96	22.98	23.00	0
		50	0	22.80	22.97	22.89	23.00	0
10	256-QAM	1	0	22.95	22.96	22.89	23.00	0
		1	25	22.85	22.89	22.85	23.00	0
		1	49	22.94	22.81	22.97	23.00	0
		25	0	22.79	22.85	22.94	23.00	0
		25	12	22.90	22.87	22.81	23.00	0
		25	25	22.94	22.80	22.97	23.00	0
		50	0	22.87	22.91	22.79	23.00	0

Unless otherwise stated the results shown in this test report refer only to the sample(s) tested and such sample(s) are retained for 90 days only.

除非另有說明，此報告結果僅對測試之樣品負責，同時此樣品僅保留90天。本報告未經本公司書面許可，不可部份複製。

This document is issued by the Company subject to its General Conditions of Service printed overleaf, available on request or accessible at <http://www.sgs.com.tw/Terms-and-Conditions> and for electronic format documents, subject to Terms and Conditions for Electronic Documents at <http://www.sgs.com.tw/Terms-and-Conditions>. Attention is drawn to the limitation of liability, indemnification and jurisdiction issues defined therein. Any holder of this document is advised that information contained hereon reflects the Company's findings at the time of its intervention only and within the limits of Client's instructions, if any. The Company's sole responsibility is to its Client and this document does not exonerate parties to a transaction from exercising all their rights and obligations under the transaction documents. This document cannot be reproduced except in full, without prior written approval of the Company. Any unauthorized alteration, forgery or falsification of the content or appearance of this document is unlawful and offenders may be prosecuted to the fullest extent of the law.

LTE Band 71								
BW(MHz)	Modulation	RB Size	RB Offset	Conducted power (dBm)			Target Power + Max. Tolerance (dBm)	MPR Allowed per 3GPP(dB)
Frequency (MHz)				665.5	680.5	695.5		
Channel				133147	133297	133447		
5	QPSK	1	0	22.83	22.84	22.89	23.00	0
		1	12	22.94	22.93	22.79	23.00	0
		1	24	22.81	22.83	22.90	23.00	0
		12	0	22.89	22.95	22.90	23.00	0
		12	6	22.82	22.94	22.80	23.00	0
		12	13	22.82	22.86	22.84	23.00	0
		25	0	22.89	22.95	22.85	23.00	0
5	16-QAM	1	0	22.91	22.95	22.92	23.00	0
		1	12	22.94	22.90	22.87	23.00	0
		1	24	22.87	22.92	22.92	23.00	0
		12	0	22.97	22.93	22.88	23.00	0
		12	6	22.89	22.84	22.86	23.00	0
		12	13	22.86	22.94	22.86	23.00	0
		25	0	22.86	22.79	22.83	23.00	0
5	64-QAM	1	0	22.96	22.88	22.97	23.00	0
		1	12	22.87	22.78	22.79	23.00	0
		1	24	22.79	22.96	22.87	23.00	0
		12	0	22.96	22.80	22.98	23.00	0
		12	6	22.84	22.80	22.89	23.00	0
		12	13	22.82	22.84	22.93	23.00	0
		25	0	22.97	22.90	22.89	23.00	0
5	256-QAM	1	0	22.93	22.92	22.83	23.00	0
		1	12	22.97	22.95	22.96	23.00	0
		1	24	22.95	22.89	22.81	23.00	0
		12	0	22.79	22.97	22.85	23.00	0
		12	6	22.95	22.96	22.84	23.00	0
		12	13	22.87	22.89	22.90	23.00	0
		25	0	22.82	22.96	22.84	23.00	0

Unless otherwise stated the results shown in this test report refer only to the sample(s) tested and such sample(s) are retained for 90 days only.

除非另有說明，此報告結果僅對測試之樣品負責，同時此樣品僅保留90天。本報告未經本公司書面許可，不可部份複製。

This document is issued by the Company subject to its General Conditions of Service printed overleaf, available on request or accessible at <http://www.sgs.com.tw/Terms-and-Conditions> and for electronic format documents, subject to Terms and Conditions for Electronic Documents at <http://www.sgs.com.tw/Terms-and-Conditions>. Attention is drawn to the limitation of liability, indemnification and jurisdiction issues defined therein. Any holder of this document is advised that information contained hereon reflects the Company's findings at the time of its intervention only and within the limits of Client's instructions, if any. The Company's sole responsibility is to its Client and this document does not exonerate parties to a transaction from exercising all their rights and obligations under the transaction documents. This document cannot be reproduced except in full, without prior written approval of the Company. Any unauthorized alteration, forgery or falsification of the content or appearance of this document is unlawful and offenders may be prosecuted to the fullest extent of the law.

ANT 8

LTE Band 2								
BW(MHz)	Modulation	RB Size	RB Offset	Conducted power (dBm)			Target Power + Max. Tolerance (dBm)	MPR Allowed per 3GPP(dB)
Frequency (MHz)				1860	1880	1900		
Channel				18700	18900	19100		
20	QPSK	1	0	20.49	20.46	20.47	20.50	0
		1	50	20.33	20.29	20.38	20.50	0
		1	99	20.33	20.37	20.39	20.50	0
		50	0	20.33	20.35	20.26	20.50	0
		50	25	20.34	20.25	20.20	20.50	0
		50	50	20.34	20.42	20.30	20.50	0
		100	0	20.35	20.36	20.31	20.50	0
20	16-QAM	1	0	20.28	20.36	20.36	20.50	0
		1	50	20.35	20.35	20.31	20.50	0
		1	99	20.39	20.21	20.41	20.50	0
		50	0	20.33	20.33	20.39	20.50	0
		50	25	20.34	20.37	20.34	20.50	0
		50	50	20.41	20.40	20.41	20.50	0
		100	0	20.27	20.33	20.27	20.50	0
20	64-QAM	1	0	20.35	20.34	20.39	20.50	0
		1	50	20.36	20.32	20.19	20.50	0
		1	99	20.38	20.21	20.43	20.50	0
		50	0	20.27	20.31	20.28	20.50	0
		50	25	20.26	20.26	20.37	20.50	0
		50	50	20.38	20.37	20.33	20.50	0
		100	0	20.28	20.43	20.25	20.50	0
20	256-QAM	1	0	20.31	20.27	20.31	20.50	0
		1	50	20.23	20.32	20.35	20.50	0
		1	99	20.32	20.39	20.40	20.50	0
		50	0	20.21	20.29	20.25	20.50	0
		50	25	20.35	20.35	20.34	20.50	0
		50	50	20.34	20.26	20.25	20.50	0
		100	0	20.40	20.38	20.42	20.50	0

Unless otherwise stated the results shown in this test report refer only to the sample(s) tested and such sample(s) are retained for 90 days only.

除非另有說明，此報告結果僅對測試之樣品負責，同時此樣品僅保留90天。本報告未經本公司書面許可，不可部份複製。

This document is issued by the Company subject to its General Conditions of Service printed overleaf, available on request or accessible at <http://www.sgs.com.tw/Terms-and-Conditions> and for electronic format documents, subject to Terms and Conditions for Electronic Documents at <http://www.sgs.com.tw/Terms-and-Conditions>. Attention is drawn to the limitation of liability, indemnification and jurisdiction issues defined therein. Any holder of this document is advised that information contained hereon reflects the Company's findings at the time of its intervention only and within the limits of Client's instructions, if any. The Company's sole responsibility is to its Client and this document does not exonerate parties to a transaction from exercising all their rights and obligations under the transaction documents. This document cannot be reproduced except in full, without prior written approval of the Company. Any unauthorized alteration, forgery or falsification of the content or appearance of this document is unlawful and offenders may be prosecuted to the fullest extent of the law.

LTE Band 2								
BW(MHz)	Modulation	RB Size	RB Offset	Conducted power (dBm)			Target Power + Max. Tolerance (dBm)	MPR Allowed per 3GPP(dB)
Frequency (MHz)				1857.5	1880	1902.5		
Channel				18675	18900	19125		
15	QPSK	1	0	20.46	20.44	20.42	20.50	0
		1	36	20.35	20.33	20.38	20.50	0
		1	74	20.35	20.35	20.38	20.50	0
		36	0	20.36	20.37	20.27	20.50	0
		36	18	20.33	20.25	20.19	20.50	0
		36	37	20.37	20.39	20.33	20.50	0
		75	0	20.39	20.35	20.36	20.50	0
15	16-QAM	1	0	20.28	20.37	20.42	20.50	0
		1	36	20.31	20.29	20.32	20.50	0
		1	74	20.39	20.25	20.41	20.50	0
		36	0	20.31	20.34	20.39	20.50	0
		36	18	20.37	20.38	20.32	20.50	0
		36	37	20.42	20.38	20.43	20.50	0
		75	0	20.29	20.34	20.26	20.50	0
15	64-QAM	1	0	20.35	20.31	20.37	20.50	0
		1	36	20.34	20.32	20.24	20.50	0
		1	74	20.37	20.25	20.42	20.50	0
		36	0	20.25	20.31	20.30	20.50	0
		36	18	20.28	20.22	20.40	20.50	0
		36	37	20.37	20.38	20.35	20.50	0
		75	0	20.28	20.37	20.30	20.50	0
15	256-QAM	1	0	20.33	20.26	20.32	20.50	0
		1	36	20.25	20.36	20.39	20.50	0
		1	74	20.33	20.37	20.36	20.50	0
		36	0	20.27	20.29	20.25	20.50	0
		36	18	20.35	20.33	20.34	20.50	0
		36	37	20.32	20.22	20.26	20.50	0
		75	0	20.36	20.38	20.39	20.50	0

Unless otherwise stated the results shown in this test report refer only to the sample(s) tested and such sample(s) are retained for 90 days only.

除非另有說明，此報告結果僅對測試之樣品負責，同時此樣品僅保留90天。本報告未經本公司書面許可，不可部份複製。

This document is issued by the Company subject to its General Conditions of Service printed overleaf, available on request or accessible at <http://www.sgs.com.tw/Terms-and-Conditions> and for electronic format documents, subject to Terms and Conditions for Electronic Documents at <http://www.sgs.com.tw/Terms-and-Conditions>. Attention is drawn to the limitation of liability, indemnification and jurisdiction issues defined therein. Any holder of this document is advised that information contained hereon reflects the Company's findings at the time of its intervention only and within the limits of Client's instructions, if any. The Company's sole responsibility is to its Client and this document does not exonerate parties to a transaction from exercising all their rights and obligations under the transaction documents. This document cannot be reproduced except in full, without prior written approval of the Company. Any unauthorized alteration, forgery or falsification of the content or appearance of this document is unlawful and offenders may be prosecuted to the fullest extent of the law.

LTE Band 2								
BW(MHz)	Modulation	RB Size	RB Offset	Conducted power (dBm)			Target Power + Max. Tolerance (dBm)	MPR Allowed per 3GPP(dB)
Frequency (MHz)				1855	1880	1905		
Channel				18650	18900	19150		
10	QPSK	1	0	20.42	20.40	20.36	20.50	0
		1	25	20.27	20.30	20.31	20.50	0
		1	49	20.31	20.32	20.35	20.50	0
		25	0	20.28	20.33	20.26	20.50	0
		25	12	20.31	20.20	20.20	20.50	0
		25	25	20.32	20.38	20.27	20.50	0
		50	0	20.29	20.31	20.31	20.50	0
10	16-QAM	1	0	20.22	20.37	20.37	20.50	0
		1	25	20.26	20.29	20.31	20.50	0
		1	49	20.35	20.23	20.36	20.50	0
		25	0	20.28	20.31	20.33	20.50	0
		25	12	20.30	20.35	20.29	20.50	0
		25	25	20.37	20.35	20.37	20.50	0
		50	0	20.25	20.33	20.21	20.50	0
10	64-QAM	1	0	20.32	20.32	20.38	20.50	0
		1	25	20.29	20.28	20.19	20.50	0
		1	49	20.33	20.20	20.37	20.50	0
		25	0	20.19	20.30	20.25	20.50	0
		25	12	20.20	20.20	20.36	20.50	0
		25	25	20.37	20.35	20.25	20.50	0
		50	0	20.28	20.38	20.22	20.50	0
10	256-QAM	1	0	20.26	20.21	20.28	20.50	0
		1	25	20.19	20.34	20.36	20.50	0
		1	49	20.25	20.37	20.34	20.50	0
		25	0	20.21	20.26	20.22	20.50	0
		25	12	20.35	20.28	20.28	20.50	0
		25	25	20.26	20.22	20.20	20.50	0
		50	0	20.31	20.30	20.34	20.50	0

Unless otherwise stated the results shown in this test report refer only to the sample(s) tested and such sample(s) are retained for 90 days only.

除非另有說明，此報告結果僅對測試之樣品負責，同時此樣品僅保留90天。本報告未經本公司書面許可，不可部份複製。

This document is issued by the Company subject to its General Conditions of Service printed overleaf, available on request or accessible at <http://www.sgs.com.tw/Terms-and-Conditions> and for electronic format documents, subject to Terms and Conditions for Electronic Documents at <http://www.sgs.com.tw/Terms-and-Conditions>. Attention is drawn to the limitation of liability, indemnification and jurisdiction issues defined therein. Any holder of this document is advised that information contained hereon reflects the Company's findings at the time of its intervention only and within the limits of Client's instructions, if any. The Company's sole responsibility is to its Client and this document does not exonerate parties to a transaction from exercising all their rights and obligations under the transaction documents. This document cannot be reproduced except in full, without prior written approval of the Company. Any unauthorized alteration, forgery or falsification of the content or appearance of this document is unlawful and offenders may be prosecuted to the fullest extent of the law.

LTE Band 2								
BW(MHz)	Modulation	RB Size	RB Offset	Conducted power (dBm)			Target Power + Max. Tolerance (dBm)	MPR Allowed per 3GPP(dB)
Frequency (MHz)				1852.5	1880	1907.5		
Channel				18625	18900	19175		
5	QPSK	1	0	20.39	20.36	20.35	20.50	0
		1	12	20.25	20.27	20.34	20.50	0
		1	24	20.25	20.28	20.36	20.50	0
		12	0	20.28	20.32	20.22	20.50	0
		12	6	20.28	20.17	20.18	20.50	0
		12	13	20.31	20.33	20.28	20.50	0
		25	0	20.33	20.32	20.29	20.50	0
5	16-QAM	1	0	20.20	20.34	20.32	20.50	0
		1	12	20.25	20.29	20.28	20.50	0
		1	24	20.36	20.18	20.32	20.50	0
		12	0	20.26	20.26	20.33	20.50	0
		12	6	20.33	20.29	20.25	20.50	0
		12	13	20.33	20.31	20.37	20.50	0
		25	0	20.21	20.29	20.23	20.50	0
5	64-QAM	1	0	20.29	20.27	20.33	20.50	0
		1	12	20.29	20.23	20.14	20.50	0
		1	24	20.30	20.15	20.32	20.50	0
		12	0	20.22	20.26	20.25	20.50	0
		12	6	20.21	20.20	20.29	20.50	0
		12	13	20.35	20.27	20.24	20.50	0
		25	0	20.27	20.36	20.22	20.50	0
5	256-QAM	1	0	20.24	20.20	20.23	20.50	0
		1	12	20.20	20.26	20.35	20.50	0
		1	24	20.27	20.35	20.31	20.50	0
		12	0	20.16	20.24	20.19	20.50	0
		12	6	20.32	20.28	20.26	20.50	0
		12	13	20.25	20.21	20.18	20.50	0
		25	0	20.33	20.28	20.36	20.50	0

Unless otherwise stated the results shown in this test report refer only to the sample(s) tested and such sample(s) are retained for 90 days only.

除非另有說明，此報告結果僅對測試之樣品負責，同時此樣品僅保留90天。本報告未經本公司書面許可，不可部份複製。

This document is issued by the Company subject to its General Conditions of Service printed overleaf, available on request or accessible at <http://www.sgs.com.tw/Terms-and-Conditions> and for electronic format documents, subject to Terms and Conditions for Electronic Documents at <http://www.sgs.com.tw/Terms-and-Conditions>. Attention is drawn to the limitation of liability, indemnification and jurisdiction issues defined therein. Any holder of this document is advised that information contained hereon reflects the Company's findings at the time of its intervention only and within the limits of Client's instructions, if any. The Company's sole responsibility is to its Client and this document does not exonerate parties to a transaction from exercising all their rights and obligations under the transaction documents. This document cannot be reproduced except in full, without prior written approval of the Company. Any unauthorized alteration, forgery or falsification of the content or appearance of this document is unlawful and offenders may be prosecuted to the fullest extent of the law.

LTE Band 2								
BW(MHz)	Modulation	RB Size	RB Offset	Conducted power (dBm)			Target Power + Max. Tolerance (dBm)	MPR Allowed per 3GPP(dB)
Frequency (MHz)				1851.5	1880	1908.5		
Channel				18615	18900	19185		
3	QPSK	1	0	20.36	20.32	20.35	20.50	0
		1	7	20.28	20.24	20.32	20.50	0
		1	14	20.23	20.30	20.33	20.50	0
		8	0	20.24	20.33	20.19	20.50	0
		8	4	20.25	20.18	20.15	20.50	0
		8	7	20.28	20.30	20.23	20.50	0
		15	0	20.26	20.30	20.24	20.50	0
3	16-QAM	1	0	20.21	20.31	20.33	20.50	0
		1	7	20.24	20.23	20.23	20.50	0
		1	14	20.32	20.17	20.33	20.50	0
		8	0	20.28	20.26	20.29	20.50	0
		8	4	20.31	20.32	20.27	20.50	0
		8	7	20.30	20.33	20.32	20.50	0
		15	0	20.19	20.23	20.17	20.50	0
3	64-QAM	1	0	20.24	20.24	20.33	20.50	0
		1	7	20.24	20.25	20.13	20.50	0
		1	14	20.28	20.12	20.36	20.50	0
		8	0	20.20	20.23	20.23	20.50	0
		8	4	20.18	20.18	20.32	20.50	0
		8	7	20.31	20.30	20.23	20.50	0
		15	0	20.19	20.34	20.18	20.50	0
3	256-QAM	1	0	20.23	20.18	20.19	20.50	0
		1	7	20.16	20.25	20.31	20.50	0
		1	14	20.26	20.29	20.31	20.50	0
		8	0	20.13	20.19	20.18	20.50	0
		8	4	20.31	20.23	20.25	20.50	0
		8	7	20.24	20.15	20.16	20.50	0
		15	0	20.30	20.28	20.34	20.50	0

Unless otherwise stated the results shown in this test report refer only to the sample(s) tested and such sample(s) are retained for 90 days only.

除非另有說明，此報告結果僅對測試之樣品負責，同時此樣品僅保留90天。本報告未經本公司書面許可，不可部份複製。

This document is issued by the Company subject to its General Conditions of Service printed overleaf, available on request or accessible at <http://www.sgs.com.tw/Terms-and-Conditions> and for electronic format documents, subject to Terms and Conditions for Electronic Documents at <http://www.sgs.com.tw/Terms-and-Conditions>. Attention is drawn to the limitation of liability, indemnification and jurisdiction issues defined therein. Any holder of this document is advised that information contained hereon reflects the Company's findings at the time of its intervention only and within the limits of Client's instructions, if any. The Company's sole responsibility is to its Client and this document does not exonerate parties to a transaction from exercising all their rights and obligations under the transaction documents. This document cannot be reproduced except in full, without prior written approval of the Company. Any unauthorized alteration, forgery or falsification of the content or appearance of this document is unlawful and offenders may be prosecuted to the fullest extent of the law.

LTE Band 2								
BW(MHz)	Modulation	RB Size	RB Offset	Conducted power (dBm)			Target Power + Max. Tolerance (dBm)	MPR Allowed per 3GPP(dB)
Frequency (MHz)				1850.7	1880	1909.3		
Channel				18607	18900	19193		
1.4	QPSK	1	0	20.33	20.28	20.30	20.50	0
		1	2	20.21	20.18	20.23	20.50	0
		1	5	20.19	20.23	20.25	20.50	0
		3	0	20.22	20.25	20.13	20.50	0
		3	2	20.18	20.10	20.06	20.50	0
		3	3	20.22	20.27	20.21	20.50	0
		6	0	20.23	20.23	20.22	20.50	0
1.4	16-QAM	1	0	20.16	20.23	20.26	20.50	0
		1	2	20.17	20.20	20.20	20.50	0
		1	5	20.25	20.07	20.24	20.50	0
		3	0	20.18	20.22	20.21	20.50	0
		3	2	20.23	20.24	20.21	20.50	0
		3	3	20.26	20.26	20.30	20.50	0
		6	0	20.16	20.20	20.15	20.50	0
1.4	64-QAM	1	0	20.17	20.21	20.26	20.50	0
		1	2	20.19	20.14	20.09	20.50	0
		1	5	20.22	20.08	20.26	20.50	0
		3	0	20.12	20.18	20.14	20.50	0
		3	2	20.08	20.08	20.22	20.50	0
		3	3	20.22	20.21	20.19	20.50	0
		6	0	20.18	20.25	20.15	20.50	0
1.4	256-QAM	1	0	20.15	20.11	20.12	20.50	0
		1	2	20.09	20.19	20.25	20.50	0
		1	5	20.17	20.26	20.20	20.50	0
		3	0	20.11	20.15	20.10	20.50	0
		3	2	20.24	20.20	20.22	20.50	0
		3	3	20.15	20.08	20.10	20.50	0
		6	0	20.22	20.21	20.26	20.50	0

Unless otherwise stated the results shown in this test report refer only to the sample(s) tested and such sample(s) are retained for 90 days only.

除非另有說明，此報告結果僅對測試之樣品負責，同時此樣品僅保留90天。本報告未經本公司書面許可，不可部份複製。

This document is issued by the Company subject to its General Conditions of Service printed overleaf, available on request or accessible at <http://www.sgs.com.tw/Terms-and-Conditions> and for electronic format documents, subject to Terms and Conditions for Electronic Documents at <http://www.sgs.com.tw/Terms-and-Conditions>. Attention is drawn to the limitation of liability, indemnification and jurisdiction issues defined therein. Any holder of this document is advised that information contained hereon reflects the Company's findings at the time of its intervention only and within the limits of Client's instructions, if any. The Company's sole responsibility is to its Client and this document does not exonerate parties to a transaction from exercising all their rights and obligations under the transaction documents. This document cannot be reproduced except in full, without prior written approval of the Company. Any unauthorized alteration, forgery or falsification of the content or appearance of this document is unlawful and offenders may be prosecuted to the fullest extent of the law.

LTE Band 4								
BW(MHz)	Modulation	RB Size	RB Offset	Conducted power (dBm)			Target Power + Max. Tolerance (dBm)	MPR Allowed per 3GPP(dB)
Frequency (MHz)				1720	1732.5	1745		
Channel				20050	20175	20300		
20	QPSK	1	0	20.59	20.61	20.65	21.00	0
		1	50	20.43	20.45	20.45	21.00	0
		1	99	20.46	20.48	20.57	21.00	0
		50	0	20.42	20.52	20.38	21.00	0
		50	25	20.47	20.43	20.49	21.00	0
		50	50	20.54	20.59	20.56	21.00	0
		100	0	20.56	20.46	20.61	21.00	0
20	16-QAM	1	0	20.55	20.48	20.52	21.00	0
		1	50	20.59	20.48	20.43	21.00	0
		1	99	20.55	20.54	20.40	21.00	0
		50	0	20.44	20.56	20.62	21.00	0
		50	25	20.47	20.46	20.44	21.00	0
		50	50	20.39	20.47	20.44	21.00	0
		100	0	20.45	20.53	20.50	21.00	0
20	64-QAM	1	0	20.46	20.54	20.40	21.00	0
		1	50	20.53	20.47	20.48	21.00	0
		1	99	20.59	20.58	20.47	21.00	0
		50	0	20.46	20.47	20.50	21.00	0
		50	25	20.47	20.61	20.43	21.00	0
		50	50	20.55	20.58	20.46	21.00	0
		100	0	20.42	20.43	20.47	21.00	0
20	256-QAM	1	0	20.45	20.44	20.63	21.00	0
		1	50	20.53	20.56	20.51	21.00	0
		1	99	20.45	20.49	20.51	21.00	0
		50	0	20.51	20.48	20.57	21.00	0
		50	25	20.53	20.61	20.56	21.00	0
		50	50	20.46	20.48	20.56	21.00	0
		100	0	20.57	20.40	20.43	21.00	0

Unless otherwise stated the results shown in this test report refer only to the sample(s) tested and such sample(s) are retained for 90 days only.

除非另有說明，此報告結果僅對測試之樣品負責，同時此樣品僅保留90天。本報告未經本公司書面許可，不可部份複製。

This document is issued by the Company subject to its General Conditions of Service printed overleaf, available on request or accessible at <http://www.sgs.com.tw/Terms-and-Conditions> and for electronic format documents, subject to Terms and Conditions for Electronic Documents at <http://www.sgs.com.tw/Terms-and-Conditions>. Attention is drawn to the limitation of liability, indemnification and jurisdiction issues defined therein. Any holder of this document is advised that information contained hereon reflects the Company's findings at the time of its intervention only and within the limits of Client's instructions, if any. The Company's sole responsibility is to its Client and this document does not exonerate parties to a transaction from exercising all their rights and obligations under the transaction documents. This document cannot be reproduced except in full, without prior written approval of the Company. Any unauthorized alteration, forgery or falsification of the content or appearance of this document is unlawful and offenders may be prosecuted to the fullest extent of the law.

LTE Band 4								
BW(MHz)	Modulation	RB Size	RB Offset	Conducted power (dBm)			Target Power + Max. Tolerance (dBm)	MPR Allowed per 3GPP(dB)
Frequency (MHz)				1717.5	1732.5	1747.5		
Channel				20025	20175	20325		
15	QPSK	1	0	20.53	20.58	20.63	21.00	0
		1	36	20.44	20.48	20.46	21.00	0
		1	74	20.44	20.46	20.57	21.00	0
		36	0	20.45	20.51	20.42	21.00	0
		36	18	20.50	20.46	20.49	21.00	0
		36	37	20.58	20.61	20.57	21.00	0
		75	0	20.56	20.47	20.57	21.00	0
15	16-QAM	1	0	20.52	20.46	20.54	21.00	0
		1	36	20.56	20.46	20.44	21.00	0
		1	74	20.57	20.56	20.39	21.00	0
		36	0	20.42	20.57	20.59	21.00	0
		36	18	20.44	20.48	20.47	21.00	0
		36	37	20.43	20.48	20.44	21.00	0
		75	0	20.47	20.52	20.50	21.00	0
15	64-QAM	1	0	20.48	20.57	20.41	21.00	0
		1	36	20.56	20.50	20.52	21.00	0
		1	74	20.61	20.57	20.47	21.00	0
		36	0	20.45	20.48	20.53	21.00	0
		36	18	20.49	20.60	20.47	21.00	0
		36	37	20.56	20.59	20.48	21.00	0
		75	0	20.43	20.46	20.45	21.00	0
15	256-QAM	1	0	20.46	20.40	20.60	21.00	0
		1	36	20.53	20.56	20.48	21.00	0
		1	74	20.45	20.54	20.52	21.00	0
		36	0	20.51	20.49	20.59	21.00	0
		36	18	20.53	20.55	20.58	21.00	0
		36	37	20.43	20.44	20.56	21.00	0
		75	0	20.56	20.44	20.45	21.00	0

Unless otherwise stated the results shown in this test report refer only to the sample(s) tested and such sample(s) are retained for 90 days only.

除非另有說明，此報告結果僅對測試之樣品負責，同時此樣品僅保留90天。本報告未經本公司書面許可，不可部份複製。

This document is issued by the Company subject to its General Conditions of Service printed overleaf, available on request or accessible at <http://www.sgs.com.tw/Terms-and-Conditions> and for electronic format documents, subject to Terms and Conditions for Electronic Documents at <http://www.sgs.com.tw/Terms-and-Conditions>. Attention is drawn to the limitation of liability, indemnification and jurisdiction issues defined therein. Any holder of this document is advised that information contained hereon reflects the Company's findings at the time of its intervention only and within the limits of Client's instructions, if any. The Company's sole responsibility is to its Client and this document does not exonerate parties to a transaction from exercising all their rights and obligations under the transaction documents. This document cannot be reproduced except in full, without prior written approval of the Company. Any unauthorized alteration, forgery or falsification of the content or appearance of this document is unlawful and offenders may be prosecuted to the fullest extent of the law.

LTE Band 4								
BW(MHz)	Modulation	RB Size	RB Offset	Conducted power (dBm)			Target Power + Max. Tolerance (dBm)	MPR Allowed per 3GPP(dB)
Frequency (MHz)				1715	1732.5	1750		
Channel				20000	20175	20350		
10	QPSK	1	0	20.53	20.58	20.60	21.00	0
		1	25	20.40	20.40	20.41	21.00	0
		1	49	20.41	20.45	20.54	21.00	0
		25	0	20.38	20.48	20.35	21.00	0
		25	12	20.42	20.40	20.47	21.00	0
		25	25	20.49	20.54	20.52	21.00	0
		50	0	20.54	20.43	20.57	21.00	0
10	16-QAM	1	0	20.47	20.41	20.51	21.00	0
		1	25	20.52	20.43	20.39	21.00	0
		1	49	20.54	20.54	20.36	21.00	0
		25	0	20.41	20.53	20.54	21.00	0
		25	12	20.39	20.43	20.43	21.00	0
		25	25	20.38	20.43	20.36	21.00	0
		50	0	20.40	20.52	20.46	21.00	0
10	64-QAM	1	0	20.42	20.52	20.40	21.00	0
		1	25	20.51	20.43	20.48	21.00	0
		1	49	20.52	20.52	20.45	21.00	0
		25	0	20.44	20.42	20.45	21.00	0
		25	12	20.43	20.55	20.41	21.00	0
		25	25	20.52	20.53	20.44	21.00	0
		50	0	20.42	20.40	20.41	21.00	0
10	256-QAM	1	0	20.44	20.35	20.55	21.00	0
		1	25	20.51	20.54	20.44	21.00	0
		1	49	20.38	20.48	20.49	21.00	0
		25	0	20.46	20.46	20.53	21.00	0
		25	12	20.49	20.57	20.52	21.00	0
		25	25	20.39	20.43	20.53	21.00	0
		50	0	20.52	20.37	20.38	21.00	0

Unless otherwise stated the results shown in this test report refer only to the sample(s) tested and such sample(s) are retained for 90 days only.

除非另有說明，此報告結果僅對測試之樣品負責，同時此樣品僅保留90天。本報告未經本公司書面許可，不可部份複製。

This document is issued by the Company subject to its General Conditions of Service printed overleaf, available on request or accessible at <http://www.sgs.com.tw/Terms-and-Conditions> and for electronic format documents, subject to Terms and Conditions for Electronic Documents at <http://www.sgs.com.tw/Terms-and-Conditions>. Attention is drawn to the limitation of liability, indemnification and jurisdiction issues defined therein. Any holder of this document is advised that information contained hereon reflects the Company's findings at the time of its intervention only and within the limits of Client's instructions, if any. The Company's sole responsibility is to its Client and this document does not exonerate parties to a transaction from exercising all their rights and obligations under the transaction documents. This document cannot be reproduced except in full, without prior written approval of the Company. Any unauthorized alteration, forgery or falsification of the content or appearance of this document is unlawful and offenders may be prosecuted to the fullest extent of the law.

LTE Band 4								
BW(MHz)	Modulation	RB Size	RB Offset	Conducted power (dBm)			Target Power + Max. Tolerance (dBm)	MPR Allowed per 3GPP(dB)
Frequency (MHz)				1712.5	1732.5	1752.5		
Channel				19975	20175	20375		
5	QPSK	1	0	20.46	20.51	20.56	21.00	0
		1	12	20.34	20.39	20.39	21.00	0
		1	24	20.37	20.41	20.50	21.00	0
		12	0	20.35	20.44	20.35	21.00	0
		12	6	20.40	20.38	20.42	21.00	0
		12	13	20.48	20.50	20.48	21.00	0
		25	0	20.49	20.37	20.50	21.00	0
5	16-QAM	1	0	20.45	20.38	20.44	21.00	0
		1	12	20.47	20.39	20.37	21.00	0
		1	24	20.48	20.45	20.32	21.00	0
		12	0	20.37	20.50	20.54	21.00	0
		12	6	20.38	20.36	20.37	21.00	0
		12	13	20.34	20.43	20.33	21.00	0
		25	0	20.37	20.45	20.44	21.00	0
5	64-QAM	1	0	20.38	20.47	20.34	21.00	0
		1	12	20.45	20.39	20.42	21.00	0
		1	24	20.49	20.51	20.36	21.00	0
		12	0	20.41	20.39	20.43	21.00	0
		12	6	20.37	20.54	20.37	21.00	0
		12	13	20.47	20.49	20.39	21.00	0
		25	0	20.33	20.35	20.35	21.00	0
5	256-QAM	1	0	20.37	20.34	20.55	21.00	0
		1	12	20.46	20.50	20.39	21.00	0
		1	24	20.33	20.43	20.43	21.00	0
		12	0	20.41	20.43	20.51	21.00	0
		12	6	20.44	20.50	20.50	21.00	0
		12	13	20.37	20.38	20.46	21.00	0
		25	0	20.46	20.35	20.35	21.00	0

Unless otherwise stated the results shown in this test report refer only to the sample(s) tested and such sample(s) are retained for 90 days only.

除非另有說明，此報告結果僅對測試之樣品負責，同時此樣品僅保留90天。本報告未經本公司書面許可，不可部份複製。

This document is issued by the Company subject to its General Conditions of Service printed overleaf, available on request or accessible at <http://www.sgs.com.tw/Terms-and-Conditions> and for electronic format documents, subject to Terms and Conditions for Electronic Documents at <http://www.sgs.com.tw/Terms-and-Conditions>. Attention is drawn to the limitation of liability, indemnification and jurisdiction issues defined therein. Any holder of this document is advised that information contained hereon reflects the Company's findings at the time of its intervention only and within the limits of Client's instructions, if any. The Company's sole responsibility is to its Client and this document does not exonerate parties to a transaction from exercising all their rights and obligations under the transaction documents. This document cannot be reproduced except in full, without prior written approval of the Company. Any unauthorized alteration, forgery or falsification of the content or appearance of this document is unlawful and offenders may be prosecuted to the fullest extent of the law.

LTE Band 4								
BW(MHz)	Modulation	RB Size	RB Offset	Conducted power (dBm)			Target Power + Max. Tolerance (dBm)	MPR Allowed per 3GPP(dB)
Frequency (MHz)				1711.5	1732.5	1753.5		
Channel				19965	20175	20385		
3	QPSK	1	0	20.45	20.49	20.53	21.00	0
		1	7	20.30	20.38	20.34	21.00	0
		1	14	20.34	20.37	20.48	21.00	0
		8	0	20.31	20.40	20.31	21.00	0
		8	4	20.39	20.36	20.40	21.00	0
		8	7	20.46	20.48	20.44	21.00	0
		15	0	20.48	20.35	20.47	21.00	0
3	16-QAM	1	0	20.41	20.36	20.43	21.00	0
		1	7	20.44	20.37	20.33	21.00	0
		1	14	20.48	20.45	20.32	21.00	0
		8	0	20.35	20.47	20.52	21.00	0
		8	4	20.34	20.35	20.36	21.00	0
		8	7	20.33	20.41	20.32	21.00	0
		15	0	20.33	20.45	20.39	21.00	0
3	64-QAM	1	0	20.36	20.46	20.30	21.00	0
		1	7	20.42	20.38	20.39	21.00	0
		1	14	20.51	20.49	20.35	21.00	0
		8	0	20.39	20.36	20.41	21.00	0
		8	4	20.38	20.49	20.36	21.00	0
		8	7	20.44	20.47	20.40	21.00	0
		15	0	20.34	20.36	20.34	21.00	0
3	256-QAM	1	0	20.36	20.32	20.51	21.00	0
		1	7	20.46	20.45	20.38	21.00	0
		1	14	20.34	20.44	20.39	21.00	0
		8	0	20.41	20.38	20.48	21.00	0
		8	4	20.42	20.52	20.49	21.00	0
		8	7	20.31	20.34	20.47	21.00	0
		15	0	20.45	20.34	20.33	21.00	0

Unless otherwise stated the results shown in this test report refer only to the sample(s) tested and such sample(s) are retained for 90 days only.

除非另有說明，此報告結果僅對測試之樣品負責，同時此樣品僅保留90天。本報告未經本公司書面許可，不可部份複製。

This document is issued by the Company subject to its General Conditions of Service printed overleaf, available on request or accessible at <http://www.sgs.com.tw/Terms-and-Conditions> and for electronic format documents, subject to Terms and Conditions for Electronic Documents at <http://www.sgs.com.tw/Terms-and-Conditions>. Attention is drawn to the limitation of liability, indemnification and jurisdiction issues defined therein. Any holder of this document is advised that information contained hereon reflects the Company's findings at the time of its intervention only and within the limits of Client's instructions, if any. The Company's sole responsibility is to its Client and this document does not exonerate parties to a transaction from exercising all their rights and obligations under the transaction documents. This document cannot be reproduced except in full, without prior written approval of the Company. Any unauthorized alteration, forgery or falsification of the content or appearance of this document is unlawful and offenders may be prosecuted to the fullest extent of the law.

LTE Band 4								
BW(MHz)	Modulation	RB Size	RB Offset	Conducted power (dBm)			Target Power + Max. Tolerance (dBm)	MPR Allowed per 3GPP(dB)
Frequency (MHz)				1710.7	1732.5	1754.3		
Channel				19957	20175	20393		
1.4	QPSK	1	0	20.41	20.44	20.48	21.00	0
		1	2	20.28	20.32	20.28	21.00	0
		1	5	20.33	20.31	20.41	21.00	0
		3	0	20.27	20.39	20.24	21.00	0
		3	2	20.36	20.30	20.34	21.00	0
		3	3	20.43	20.43	20.44	21.00	0
		6	0	20.43	20.35	20.46	21.00	0
1.4	16-QAM	1	0	20.41	20.30	20.39	21.00	0
		1	2	20.40	20.31	20.33	21.00	0
		1	5	20.44	20.43	20.25	21.00	0
		3	0	20.29	20.43	20.47	21.00	0
		3	2	20.30	20.33	20.31	21.00	0
		3	3	20.27	20.35	20.31	21.00	0
		6	0	20.29	20.40	20.35	21.00	0
1.4	64-QAM	1	0	20.35	20.42	20.27	21.00	0
		1	2	20.38	20.35	20.34	21.00	0
		1	5	20.43	20.43	20.33	21.00	0
		3	0	20.32	20.35	20.38	21.00	0
		3	2	20.31	20.47	20.31	21.00	0
		3	3	20.42	20.42	20.32	21.00	0
		6	0	20.30	20.29	20.32	21.00	0
1.4	256-QAM	1	0	20.33	20.29	20.45	21.00	0
		1	2	20.41	20.44	20.34	21.00	0
		1	5	20.29	20.39	20.38	21.00	0
		3	0	20.34	20.37	20.48	21.00	0
		3	2	20.38	20.44	20.44	21.00	0
		3	3	20.30	20.29	20.42	21.00	0
		6	0	20.42	20.27	20.27	21.00	0

Unless otherwise stated the results shown in this test report refer only to the sample(s) tested and such sample(s) are retained for 90 days only.

除非另有說明，此報告結果僅對測試之樣品負責，同時此樣品僅保留90天。本報告未經本公司書面許可，不可部份複製。

This document is issued by the Company subject to its General Conditions of Service printed overleaf, available on request or accessible at <http://www.sgs.com.tw/Terms-and-Conditions> and for electronic format documents, subject to Terms and Conditions for Electronic Documents at <http://www.sgs.com.tw/Terms-and-Conditions>. Attention is drawn to the limitation of liability, indemnification and jurisdiction issues defined therein. Any holder of this document is advised that information contained hereon reflects the Company's findings at the time of its intervention only and within the limits of Client's instructions, if any. The Company's sole responsibility is to its Client and this document does not exonerate parties to a transaction from exercising all their rights and obligations under the transaction documents. This document cannot be reproduced except in full, without prior written approval of the Company. Any unauthorized alteration, forgery or falsification of the content or appearance of this document is unlawful and offenders may be prosecuted to the fullest extent of the law.

LTE Band 7								
BW(MHz)	Modulation	RB Size	RB Offset	Conducted power (dBm)			Target Power + Max. Tolerance (dBm)	MPR Allowed per 3GPP(dB)
Frequency (MHz)				2510	2535	2560		
Channel				20850	21100	21350		
20	QPSK	1	0	20.48	20.41	20.39	20.50	0
		1	50	20.26	20.32	20.26	20.50	0
		1	99	20.23	20.16	20.18	20.50	0
		50	0	20.39	20.37	20.34	20.50	0
		50	25	20.25	20.25	20.19	20.50	0
		50	50	20.17	20.23	20.13	20.50	0
		100	0	20.20	20.12	20.19	20.50	0
20	16-QAM	1	0	20.31	20.28	20.18	20.50	0
		1	50	20.16	20.17	20.14	20.50	0
		1	99	20.28	20.15	20.31	20.50	0
		50	0	20.18	20.19	20.21	20.50	0
		50	25	20.19	20.30	20.22	20.50	0
		50	50	20.30	20.22	20.26	20.50	0
		100	0	20.24	20.23	20.27	20.50	0
20	64-QAM	1	0	20.31	20.20	20.20	20.50	0
		1	50	20.17	20.30	20.24	20.50	0
		1	99	20.29	20.25	20.13	20.50	0
		50	0	20.13	20.24	20.13	20.50	0
		50	25	20.32	20.20	20.23	20.50	0
		50	50	20.32	20.25	20.17	20.50	0
		100	0	20.32	20.23	20.31	20.50	0
20	256-QAM	1	0	20.23	20.30	20.17	20.50	0
		1	50	20.26	20.24	20.24	20.50	0
		1	99	20.20	20.16	20.19	20.50	0
		50	0	20.18	20.31	20.30	20.50	0
		50	25	20.17	20.31	20.20	20.50	0
		50	50	20.16	20.16	20.12	20.50	0
		100	0	20.31	20.31	20.27	20.50	0

Unless otherwise stated the results shown in this test report refer only to the sample(s) tested and such sample(s) are retained for 90 days only.

除非另有說明，此報告結果僅對測試之樣品負責，同時此樣品僅保留90天。本報告未經本公司書面許可，不可部份複製。

This document is issued by the Company subject to its General Conditions of Service printed overleaf, available on request or accessible at <http://www.sgs.com.tw/Terms-and-Conditions> and for electronic format documents, subject to Terms and Conditions for Electronic Documents at <http://www.sgs.com.tw/Terms-and-Conditions>. Attention is drawn to the limitation of liability, indemnification and jurisdiction issues defined therein. Any holder of this document is advised that information contained hereon reflects the Company's findings at the time of its intervention only and within the limits of Client's instructions, if any. The Company's sole responsibility is to its Client and this document does not exonerate parties to a transaction from exercising all their rights and obligations under the transaction documents. This document cannot be reproduced except in full, without prior written approval of the Company. Any unauthorized alteration, forgery or falsification of the content or appearance of this document is unlawful and offenders may be prosecuted to the fullest extent of the law.

LTE Band 7								
BW(MHz)	Modulation	RB Size	RB Offset	Conducted power (dBm)			Target Power + Max. Tolerance (dBm)	MPR Allowed per 3GPP(dB)
Frequency (MHz)				2507.5	2535	2562.5		
Channel				20825	21100	21375		
15	QPSK	1	0	20.15	20.20	20.03	20.50	0
		1	36	20.03	20.10	20.17	20.50	0
		1	74	20.09	20.05	20.20	20.50	0
		36	0	20.06	20.15	20.08	20.50	0
		36	18	20.13	20.04	20.15	20.50	0
		36	37	20.06	20.05	20.12	20.50	0
		75	0	20.22	20.09	20.17	20.50	0
15	16-QAM	1	0	20.14	20.16	20.14	20.50	0
		1	36	20.07	20.07	20.22	20.50	0
		1	74	20.18	20.10	20.13	20.50	0
		36	0	20.04	20.09	20.17	20.50	0
		36	18	20.20	20.19	20.18	20.50	0
		36	37	20.12	20.04	20.20	20.50	0
		75	0	20.16	20.09	20.02	20.50	0
15	64-QAM	1	0	20.21	20.19	20.02	20.50	0
		1	36	20.17	20.13	20.13	20.50	0
		1	74	20.20	20.04	20.19	20.50	0
		36	0	20.14	20.08	20.08	20.50	0
		36	18	20.16	20.16	20.13	20.50	0
		36	37	20.17	20.18	20.19	20.50	0
		75	0	20.04	20.20	20.07	20.50	0
15	256-QAM	1	0	20.21	20.08	20.07	20.50	0
		1	36	20.09	20.20	20.12	20.50	0
		1	74	20.14	20.08	20.15	20.50	0
		36	0	20.15	20.18	20.21	20.50	0
		36	18	20.10	20.08	20.19	20.50	0
		36	37	20.06	20.03	20.07	20.50	0
		75	0	20.20	20.22	20.06	20.50	0

Unless otherwise stated the results shown in this test report refer only to the sample(s) tested and such sample(s) are retained for 90 days only.

除非另有說明，此報告結果僅對測試之樣品負責，同時此樣品僅保留90天。本報告未經本公司書面許可，不可部份複製。

This document is issued by the Company subject to its General Conditions of Service printed overleaf, available on request or accessible at <http://www.sgs.com.tw/Terms-and-Conditions> and for electronic format documents, subject to Terms and Conditions for Electronic Documents at <http://www.sgs.com.tw/Terms-and-Conditions>. Attention is drawn to the limitation of liability, indemnification and jurisdiction issues defined therein. Any holder of this document is advised that information contained hereon reflects the Company's findings at the time of its intervention only and within the limits of Client's instructions, if any. The Company's sole responsibility is to its Client and this document does not exonerate parties to a transaction from exercising all their rights and obligations under the transaction documents. This document cannot be reproduced except in full, without prior written approval of the Company. Any unauthorized alteration, forgery or falsification of the content or appearance of this document is unlawful and offenders may be prosecuted to the fullest extent of the law.

LTE Band 7								
BW(MHz)	Modulation	RB Size	RB Offset	Conducted power (dBm)			Target Power + Max. Tolerance (dBm)	MPR Allowed per 3GPP(dB)
Frequency (MHz)				2505	2535	2565		
Channel				20800	21100	21400		
10	QPSK	1	0	20.04	20.08	19.97	20.50	0
		1	25	20.03	19.97	19.99	20.50	0
		1	49	20.04	20.02	20.04	20.50	0
		25	0	19.95	19.99	19.89	20.50	0
		25	12	19.91	19.97	19.89	20.50	0
		25	25	19.95	19.93	19.91	20.50	0
		50	0	20.04	19.90	20.07	20.50	0
10	16-QAM	1	0	19.93	19.99	19.91	20.50	0
		1	25	19.90	20.05	19.98	20.50	0
		1	49	20.00	19.92	19.89	20.50	0
		25	0	20.04	20.01	19.94	20.50	0
		25	12	20.09	19.91	20.06	20.50	0
		25	25	20.00	20.03	19.97	20.50	0
		50	0	19.96	20.07	19.90	20.50	0
10	64-QAM	1	0	20.03	20.06	20.03	20.50	0
		1	25	19.91	19.90	20.06	20.50	0
		1	49	20.02	19.89	19.90	20.50	0
		25	0	19.92	19.92	19.97	20.50	0
		25	12	20.03	19.99	20.03	20.50	0
		25	25	19.90	20.08	19.99	20.50	0
		50	0	19.97	20.02	20.06	20.50	0
10	256-QAM	1	0	19.96	20.08	20.06	20.50	0
		1	25	20.08	20.04	19.94	20.50	0
		1	49	19.96	19.94	19.98	20.50	0
		25	0	20.05	19.97	19.97	20.50	0
		25	12	20.00	20.06	20.06	20.50	0
		25	25	20.00	20.07	19.98	20.50	0
		50	0	20.06	20.09	19.96	20.50	0

Unless otherwise stated the results shown in this test report refer only to the sample(s) tested and such sample(s) are retained for 90 days only.

除非另有說明，此報告結果僅對測試之樣品負責，同時此樣品僅保留90天。本報告未經本公司書面許可，不可部份複製。

This document is issued by the Company subject to its General Conditions of Service printed overleaf, available on request or accessible at <http://www.sgs.com.tw/Terms-and-Conditions> and for electronic format documents, subject to Terms and Conditions for Electronic Documents at <http://www.sgs.com.tw/Terms-and-Conditions>. Attention is drawn to the limitation of liability, indemnification and jurisdiction issues defined therein. Any holder of this document is advised that information contained hereon reflects the Company's findings at the time of its intervention only and within the limits of Client's instructions, if any. The Company's sole responsibility is to its Client and this document does not exonerate parties to a transaction from exercising all their rights and obligations under the transaction documents. This document cannot be reproduced except in full, without prior written approval of the Company. Any unauthorized alteration, forgery or falsification of the content or appearance of this document is unlawful and offenders may be prosecuted to the fullest extent of the law.

LTE Band 7								
BW(MHz)	Modulation	RB Size	RB Offset	Conducted power (dBm)			Target Power + Max. Tolerance (dBm)	MPR Allowed per 3GPP(dB)
Frequency (MHz)				2502.5	2535	2567.5		
Channel				20775	21100	21425		
5	QPSK	1	0	19.92	20.08	19.92	20.50	0
		1	12	19.99	20.05	19.92	20.50	0
		1	24	20.01	20.08	19.98	20.50	0
		12	0	19.90	20.04	19.99	20.50	0
		12	6	19.92	20.02	19.91	20.50	0
		12	13	20.04	20.03	20.07	20.50	0
		25	0	19.92	20.02	19.93	20.50	0
5	16-QAM	1	0	19.94	19.94	19.97	20.50	0
		1	12	19.93	20.01	19.96	20.50	0
		1	24	19.93	20.07	19.91	20.50	0
		12	0	19.99	20.09	20.04	20.50	0
		12	6	19.95	19.92	20.02	20.50	0
		12	13	19.93	20.02	20.06	20.50	0
		25	0	20.09	19.90	19.95	20.50	0
5	64-QAM	1	0	20.07	20.09	19.96	20.50	0
		1	12	19.95	20.05	19.97	20.50	0
		1	24	20.05	19.92	19.94	20.50	0
		12	0	19.91	19.97	19.93	20.50	0
		12	6	19.90	19.98	19.89	20.50	0
		12	13	20.06	20.08	20.09	20.50	0
		25	0	19.94	20.00	19.91	20.50	0
5	256-QAM	1	0	20.05	20.01	20.06	20.50	0
		1	12	19.97	19.89	19.99	20.50	0
		1	24	19.93	19.94	20.05	20.50	0
		12	0	20.00	20.03	19.91	20.50	0
		12	6	19.90	20.01	19.94	20.50	0
		12	13	19.96	19.91	20.05	20.50	0
		25	0	20.05	19.92	19.98	20.50	0

Unless otherwise stated the results shown in this test report refer only to the sample(s) tested and such sample(s) are retained for 90 days only.

除非另有說明，此報告結果僅對測試之樣品負責，同時此樣品僅保留90天。本報告未經本公司書面許可，不可部份複製。

This document is issued by the Company subject to its General Conditions of Service printed overleaf, available on request or accessible at <http://www.sgs.com.tw/Terms-and-Conditions> and for electronic format documents, subject to Terms and Conditions for Electronic Documents at <http://www.sgs.com.tw/Terms-and-Conditions>. Attention is drawn to the limitation of liability, indemnification and jurisdiction issues defined therein. Any holder of this document is advised that information contained hereon reflects the Company's findings at the time of its intervention only and within the limits of Client's instructions, if any. The Company's sole responsibility is to its Client and this document does not exonerate parties to a transaction from exercising all their rights and obligations under the transaction documents. This document cannot be reproduced except in full, without prior written approval of the Company. Any unauthorized alteration, forgery or falsification of the content or appearance of this document is unlawful and offenders may be prosecuted to the fullest extent of the law.

LTE Band 25								
BW(MHz)	Modulation	RB Size	RB Offset	Conducted power (dBm)			Target Power + Max. Tolerance (dBm)	MPR Allowed per 3GPP(dB)
Frequency (MHz)				1860	1882.5	1905		
Channel				26140	26365	26590		
20	QPSK	1	0	20.22	20.24	20.18	20.50	0
		1	50	20.09	20.01	20.15	20.50	0
		1	99	20.01	19.92	20.05	20.50	0
		50	0	20.03	20.17	20.16	20.50	0
		50	25	19.99	20.10	20.11	20.50	0
		50	50	20.14	20.01	20.12	20.50	0
		100	0	19.99	20.08	20.16	20.50	0
20	16-QAM	1	0	20.07	20.15	20.03	20.50	0
		1	50	20.15	19.99	20.06	20.50	0
		1	99	20.18	20.07	20.09	20.50	0
		50	0	20.06	20.09	20.02	20.50	0
		50	25	20.05	20.05	20.19	20.50	0
		50	50	20.12	20.01	20.06	20.50	0
		100	0	20.14	20.09	20.06	20.50	0
20	64-QAM	1	0	20.14	20.18	20.10	20.50	0
		1	50	20.01	20.14	20.06	20.50	0
		1	99	20.17	20.17	20.16	20.50	0
		50	0	20.09	20.13	20.02	20.50	0
		50	25	20.13	20.11	20.01	20.50	0
		50	50	20.09	20.14	20.15	20.50	0
		100	0	19.97	20.08	19.99	20.50	0
20	256-QAM	1	0	20.12	20.09	20.00	20.50	0
		1	50	20.07	20.01	20.00	20.50	0
		1	99	20.10	20.07	20.22	20.50	0
		50	0	20.02	20.13	20.10	20.50	0
		50	25	20.12	20.12	19.98	20.50	0
		50	50	20.03	20.16	20.16	20.50	0
		100	0	20.06	20.00	20.13	20.50	0

Unless otherwise stated the results shown in this test report refer only to the sample(s) tested and such sample(s) are retained for 90 days only.

除非另有說明，此報告結果僅對測試之樣品負責，同時此樣品僅保留90天。本報告未經本公司書面許可，不可部份複製。

This document is issued by the Company subject to its General Conditions of Service printed overleaf, available on request or accessible at <http://www.sgs.com.tw/Terms-and-Conditions> and for electronic format documents, subject to Terms and Conditions for Electronic Documents at <http://www.sgs.com.tw/Terms-and-Conditions>. Attention is drawn to the limitation of liability, indemnification and jurisdiction issues defined therein. Any holder of this document is advised that information contained hereon reflects the Company's findings at the time of its intervention only and within the limits of Client's instructions, if any. The Company's sole responsibility is to its Client and this document does not exonerate parties to a transaction from exercising all their rights and obligations under the transaction documents. This document cannot be reproduced except in full, without prior written approval of the Company. Any unauthorized alteration, forgery or falsification of the content or appearance of this document is unlawful and offenders may be prosecuted to the fullest extent of the law.

LTE Band 25								
BW(MHz)	Modulation	RB Size	RB Offset	Conducted power (dBm)			Target Power + Max. Tolerance (dBm)	MPR Allowed per 3GPP(dB)
Frequency (MHz)				1857.5	1882.5	1907.5		
Channel				26115	26365	26615		
15	QPSK	1	0	20.10	20.21	20.17	20.50	0
		1	36	20.10	20.01	20.20	20.50	0
		1	74	19.98	19.92	20.00	20.50	0
		36	0	20.07	20.18	20.14	20.50	0
		36	18	20.00	20.12	20.18	20.50	0
		36	37	20.16	20.03	20.16	20.50	0
		75	0	20.03	20.13	20.11	20.50	0
15	16-QAM	1	0	20.03	20.13	20.05	20.50	0
		1	36	20.19	20.00	20.08	20.50	0
		1	74	20.14	20.07	20.09	20.50	0
		36	0	20.07	20.09	20.05	20.50	0
		36	18	20.01	20.03	20.15	20.50	0
		36	37	20.12	20.01	20.10	20.50	0
		75	0	20.11	20.11	20.07	20.50	0
15	64-QAM	1	0	20.12	20.15	20.09	20.50	0
		1	36	20.06	20.18	20.06	20.50	0
		1	74	20.17	20.18	20.13	20.50	0
		36	0	20.03	20.16	19.98	20.50	0
		36	18	20.10	20.11	20.00	20.50	0
		36	37	20.08	20.13	20.13	20.50	0
		75	0	19.98	20.11	19.97	20.50	0
15	256-QAM	1	0	20.11	20.09	19.98	20.50	0
		1	36	20.04	19.99	19.98	20.50	0
		1	74	20.12	20.07	20.17	20.50	0
		36	0	20.05	20.12	20.09	20.50	0
		36	18	20.09	20.11	20.00	20.50	0
		36	37	20.03	20.15	20.11	20.50	0
		75	0	20.01	20.00	20.09	20.50	0

Unless otherwise stated the results shown in this test report refer only to the sample(s) tested and such sample(s) are retained for 90 days only.

除非另有說明，此報告結果僅對測試之樣品負責，同時此樣品僅保留90天。本報告未經本公司書面許可，不可部份複製。

This document is issued by the Company subject to its General Conditions of Service printed overleaf, available on request or accessible at <http://www.sgs.com.tw/Terms-and-Conditions> and for electronic format documents, subject to Terms and Conditions for Electronic Documents at <http://www.sgs.com.tw/Terms-and-Conditions>. Attention is drawn to the limitation of liability, indemnification and jurisdiction issues defined therein. Any holder of this document is advised that information contained hereon reflects the Company's findings at the time of its intervention only and within the limits of Client's instructions, if any. The Company's sole responsibility is to its Client and this document does not exonerate parties to a transaction from exercising all their rights and obligations under the transaction documents. This document cannot be reproduced except in full, without prior written approval of the Company. Any unauthorized alteration, forgery or falsification of the content or appearance of this document is unlawful and offenders may be prosecuted to the fullest extent of the law.

LTE Band 25								
BW(MHz)	Modulation	RB Size	RB Offset	Conducted power (dBm)			Target Power + Max. Tolerance (dBm)	MPR Allowed per 3GPP(dB)
Frequency (MHz)				1855	1882.5	1910		
Channel				26090	26365	26640		
10	QPSK	1	0	20.09	20.19	20.09	20.50	0
		1	25	20.10	19.99	20.18	20.50	0
		1	49	19.99	19.95	20.05	20.50	0
		25	0	20.05	20.16	20.14	20.50	0
		25	12	20.00	20.15	20.15	20.50	0
		25	25	20.16	20.03	20.15	20.50	0
		50	0	20.01	20.13	20.11	20.50	0
10	16-QAM	1	0	20.07	20.15	20.08	20.50	0
		1	25	20.15	19.98	20.05	20.50	0
		1	49	20.13	20.07	20.10	20.50	0
		25	0	20.09	20.08	20.02	20.50	0
		25	12	20.04	20.06	20.17	20.50	0
		25	25	20.11	20.02	20.05	20.50	0
		50	0	20.14	20.06	20.08	20.50	0
10	64-QAM	1	0	20.09	20.16	20.12	20.50	0
		1	25	20.03	20.19	20.07	20.50	0
		1	49	20.15	20.16	20.16	20.50	0
		25	0	20.03	20.12	19.97	20.50	0
		25	12	20.10	20.11	19.98	20.50	0
		25	25	20.10	20.17	20.17	20.50	0
		50	0	20.02	20.10	20.01	20.50	0
10	256-QAM	1	0	20.09	20.08	20.00	20.50	0
		1	25	20.05	20.01	19.97	20.50	0
		1	49	20.11	20.05	20.20	20.50	0
		25	0	20.03	20.16	20.10	20.50	0
		25	12	20.10	20.12	19.96	20.50	0
		25	25	20.07	20.16	20.12	20.50	0
		50	0	20.07	20.03	20.08	20.50	0

Unless otherwise stated the results shown in this test report refer only to the sample(s) tested and such sample(s) are retained for 90 days only.

除非另有說明，此報告結果僅對測試之樣品負責，同時此樣品僅保留90天。本報告未經本公司書面許可，不可部份複製。

This document is issued by the Company subject to its General Conditions of Service printed overleaf, available on request or accessible at <http://www.sgs.com.tw/Terms-and-Conditions> and for electronic format documents, subject to Terms and Conditions for Electronic Documents at <http://www.sgs.com.tw/Terms-and-Conditions>. Attention is drawn to the limitation of liability, indemnification and jurisdiction issues defined therein. Any holder of this document is advised that information contained hereon reflects the Company's findings at the time of its intervention only and within the limits of Client's instructions, if any. The Company's sole responsibility is to its Client and this document does not exonerate parties to a transaction from exercising all their rights and obligations under the transaction documents. This document cannot be reproduced except in full, without prior written approval of the Company. Any unauthorized alteration, forgery or falsification of the content or appearance of this document is unlawful and offenders may be prosecuted to the fullest extent of the law.

LTE Band 25								
BW(MHz)	Modulation	RB Size	RB Offset	Conducted power (dBm)			Target Power + Max. Tolerance (dBm)	MPR Allowed per 3GPP(dB)
Frequency (MHz)				1852.5	1882.5	1912.5		
Channel				26065	26365	26665		
5	QPSK	1	0	20.05	20.16	20.03	20.50	0
		1	12	20.03	19.94	20.10	20.50	0
		1	24	19.96	19.90	19.98	20.50	0
		12	0	19.98	20.09	20.12	20.50	0
		12	6	19.93	20.09	20.12	20.50	0
		12	13	20.10	19.99	20.09	20.50	0
		25	0	19.95	20.08	20.13	20.50	0
5	16-QAM	1	0	19.99	20.11	19.99	20.50	0
		1	12	20.09	19.94	20.01	20.50	0
		1	24	20.07	20.03	20.05	20.50	0
		12	0	20.02	20.01	19.99	20.50	0
		12	6	19.97	20.00	20.09	20.50	0
		12	13	20.02	19.93	19.99	20.50	0
		25	0	20.09	20.01	19.99	20.50	0
5	64-QAM	1	0	20.06	20.10	20.03	20.50	0
		1	12	19.96	20.10	19.98	20.50	0
		1	24	20.12	20.08	20.11	20.50	0
		12	0	20.02	20.08	19.94	20.50	0
		12	6	20.03	20.00	19.93	20.50	0
		12	13	20.01	20.07	20.08	20.50	0
		25	0	19.94	20.06	19.94	20.50	0
5	256-QAM	1	0	20.04	20.02	19.94	20.50	0
		1	12	20.01	19.91	19.96	20.50	0
		1	24	20.04	19.98	20.11	20.50	0
		12	0	19.96	20.07	20.06	20.50	0
		12	6	20.03	20.07	19.90	20.50	0
		12	13	20.01	20.12	20.09	20.50	0
		25	0	19.99	19.95	20.05	20.50	0

Unless otherwise stated the results shown in this test report refer only to the sample(s) tested and such sample(s) are retained for 90 days only.

除非另有說明，此報告結果僅對測試之樣品負責，同時此樣品僅保留90天。本報告未經本公司書面許可，不可部份複製。

This document is issued by the Company subject to its General Conditions of Service printed overleaf, available on request or accessible at <http://www.sgs.com.tw/Terms-and-Conditions> and for electronic format documents, subject to Terms and Conditions for Electronic Documents at <http://www.sgs.com.tw/Terms-and-Conditions>. Attention is drawn to the limitation of liability, indemnification and jurisdiction issues defined therein. Any holder of this document is advised that information contained hereon reflects the Company's findings at the time of its intervention only and within the limits of Client's instructions, if any. The Company's sole responsibility is to its Client and this document does not exonerate parties to a transaction from exercising all their rights and obligations under the transaction documents. This document cannot be reproduced except in full, without prior written approval of the Company. Any unauthorized alteration, forgery or falsification of the content or appearance of this document is unlawful and offenders may be prosecuted to the fullest extent of the law.

LTE Band 25								
BW(MHz)	Modulation	RB Size	RB Offset	Conducted power (dBm)			Target Power + Max. Tolerance (dBm)	MPR Allowed per 3GPP(dB)
Frequency (MHz)				1851.5	1882.5	1913.5		
Channel				26055	26365	26675		
3	QPSK	1	0	20.06	20.12	19.99	20.50	0
		1	7	20.01	19.96	20.11	20.50	0
		1	14	19.96	19.85	19.97	20.50	0
		8	0	20.01	20.08	20.09	20.50	0
		8	4	19.94	20.03	20.12	20.50	0
		8	7	20.06	19.99	20.06	20.50	0
		15	0	19.90	20.04	20.11	20.50	0
3	16-QAM	1	0	20.02	20.10	19.96	20.50	0
		1	7	20.09	19.92	20.00	20.50	0
		1	14	20.10	19.99	20.02	20.50	0
		8	0	20.03	20.00	19.96	20.50	0
		8	4	19.94	19.97	20.11	20.50	0
		8	7	20.02	19.92	20.03	20.50	0
		15	0	20.07	20.00	19.97	20.50	0
3	64-QAM	1	0	20.01	20.10	20.01	20.50	0
		1	7	19.93	20.08	19.96	20.50	0
		1	14	20.08	20.09	20.09	20.50	0
		8	0	19.98	20.08	19.94	20.50	0
		8	4	20.08	20.03	19.94	20.50	0
		8	7	20.03	20.09	20.10	20.50	0
		15	0	19.90	20.02	19.95	20.50	0
3	256-QAM	1	0	20.04	20.03	19.90	20.50	0
		1	7	19.99	19.93	19.94	20.50	0
		1	14	20.05	20.00	20.12	20.50	0
		8	0	19.99	20.07	20.08	20.50	0
		8	4	20.06	20.04	19.91	20.50	0
		8	7	19.98	20.10	20.06	20.50	0
		15	0	19.97	19.94	20.02	20.50	0

Unless otherwise stated the results shown in this test report refer only to the sample(s) tested and such sample(s) are retained for 90 days only.

除非另有說明，此報告結果僅對測試之樣品負責，同時此樣品僅保留90天。本報告未經本公司書面許可，不可部份複製。

This document is issued by the Company subject to its General Conditions of Service printed overleaf, available on request or accessible at <http://www.sgs.com.tw/Terms-and-Conditions> and for electronic format documents, subject to Terms and Conditions for Electronic Documents at <http://www.sgs.com.tw/Terms-and-Conditions>. Attention is drawn to the limitation of liability, indemnification and jurisdiction issues defined therein. Any holder of this document is advised that information contained hereon reflects the Company's findings at the time of its intervention only and within the limits of Client's instructions, if any. The Company's sole responsibility is to its Client and this document does not exonerate parties to a transaction from exercising all their rights and obligations under the transaction documents. This document cannot be reproduced except in full, without prior written approval of the Company. Any unauthorized alteration, forgery or falsification of the content or appearance of this document is unlawful and offenders may be prosecuted to the fullest extent of the law.

LTE Band 25								
BW(MHz)	Modulation	RB Size	RB Offset	Conducted power (dBm)			Target Power + Max. Tolerance (dBm)	MPR Allowed per 3GPP(dB)
Frequency (MHz)				1850.7	1882.5	1914.3		
Channel				26047	26365	26683		
1.4	QPSK	1	0	20.00	20.10	19.98	20.50	0
		1	2	19.97	19.93	20.07	20.50	0
		1	5	19.93	19.84	19.95	20.50	0
		3	0	19.96	20.05	20.08	20.50	0
		3	2	19.90	20.01	20.06	20.50	0
		3	3	20.03	19.94	20.01	20.50	0
		6	0	19.87	20.00	20.07	20.50	0
1.4	16-QAM	1	0	19.98	20.05	19.96	20.50	0
		1	2	20.04	19.87	19.98	20.50	0
		1	5	20.04	20.00	19.97	20.50	0
		3	0	20.01	19.98	19.94	20.50	0
		3	2	19.93	19.91	20.07	20.50	0
		3	3	20.00	19.93	19.94	20.50	0
		6	0	20.05	19.96	19.96	20.50	0
1.4	64-QAM	1	0	20.02	20.05	19.99	20.50	0
		1	2	19.91	20.05	19.94	20.50	0
		1	5	20.09	20.02	20.05	20.50	0
		3	0	19.95	20.05	19.91	20.50	0
		3	2	20.00	20.01	19.93	20.50	0
		3	3	19.95	20.01	20.04	20.50	0
		6	0	19.91	20.04	19.87	20.50	0
1.4	256-QAM	1	0	20.01	19.98	19.88	20.50	0
		1	2	19.95	19.87	19.91	20.50	0
		1	5	20.03	19.96	20.02	20.50	0
		3	0	19.94	20.04	20.05	20.50	0
		3	2	20.00	20.02	19.90	20.50	0
		3	3	19.94	20.05	20.06	20.50	0
		6	0	19.92	19.92	19.99	20.50	0

Unless otherwise stated the results shown in this test report refer only to the sample(s) tested and such sample(s) are retained for 90 days only.

除非另有說明，此報告結果僅對測試之樣品負責，同時此樣品僅保留90天。本報告未經本公司書面許可，不可部份複製。

This document is issued by the Company subject to its General Conditions of Service printed overleaf, available on request or accessible at <http://www.sgs.com.tw/Terms-and-Conditions> and for electronic format documents, subject to Terms and Conditions for Electronic Documents at <http://www.sgs.com.tw/Terms-and-Conditions>. Attention is drawn to the limitation of liability, indemnification and jurisdiction issues defined therein. Any holder of this document is advised that information contained hereon reflects the Company's findings at the time of its intervention only and within the limits of Client's instructions, if any. The Company's sole responsibility is to its Client and this document does not exonerate parties to a transaction from exercising all their rights and obligations under the transaction documents. This document cannot be reproduced except in full, without prior written approval of the Company. Any unauthorized alteration, forgery or falsification of the content or appearance of this document is unlawful and offenders may be prosecuted to the fullest extent of the law.

LTE Band 30								
BW(MHz)	Modulation	RB Size	RB Offset	Conducted power (dBm)			Target Power + Max. Tolerance (dBm)	MPR Allowed per 3GPP(dB)
Frequency (MHz)				2310	2310	2310		
Channel				27710	27710	27710		
10	QPSK	1	0		20.07		20.50	0
		1	25		20.00		20.50	0
		1	49		19.84		20.50	0
		25	0		19.86		20.50	0
		25	12		19.88		20.50	0
		25	25		19.98		20.50	0
		50	0		19.88		20.50	0
10	16-QAM	1	0		20.02		20.50	0
		1	25		19.95		20.50	0
		1	49		19.88		20.50	0
		25	0		19.93		20.50	0
		25	12		19.98		20.50	0
		25	25		19.87		20.50	0
		50	0		20.01		20.50	0
10	64-QAM	1	0		19.88		20.50	0
		1	25		19.90		20.50	0
		1	49		20.00		20.50	0
		25	0		19.90		20.50	0
		25	12		19.98		20.50	0
		25	25		20.01		20.50	0
		50	0		19.89		20.50	0
10	256-QAM	1	0		20.03		20.50	0
		1	25		19.86		20.50	0
		1	49		19.96		20.50	0
		25	0		19.99		20.50	0
		25	12		19.97		20.50	0
		25	25		19.85		20.50	0
		50	0		19.97		20.50	0

Unless otherwise stated the results shown in this test report refer only to the sample(s) tested and such sample(s) are retained for 90 days only.

除非另有說明，此報告結果僅對測試之樣品負責，同時此樣品僅保留90天。本報告未經本公司書面許可，不可部份複製。

This document is issued by the Company subject to its General Conditions of Service printed overleaf, available on request or accessible at <http://www.sgs.com.tw/Terms-and-Conditions> and for electronic format documents, subject to Terms and Conditions for Electronic Documents at <http://www.sgs.com.tw/Terms-and-Conditions>. Attention is drawn to the limitation of liability, indemnification and jurisdiction issues defined therein. Any holder of this document is advised that information contained hereon reflects the Company's findings at the time of its intervention only and within the limits of Client's instructions, if any. The Company's sole responsibility is to its Client and this document does not exonerate parties to a transaction from exercising all their rights and obligations under the transaction documents. This document cannot be reproduced except in full, without prior written approval of the Company. Any unauthorized alteration, forgery or falsification of the content or appearance of this document is unlawful and offenders may be prosecuted to the fullest extent of the law.

LTE Band 30								
BW(MHz)	Modulation	RB Size	RB Offset	Conducted power (dBm)			Target Power + Max. Tolerance (dBm)	MPR Allowed per 3GPP(dB)
Frequency (MHz)				2307.5	2310	2312.5		
Channel				27685	27710	27735		
5	QPSK	1	0	18.84	18.84	18.80	20.50	0
		1	12	18.74	18.71	18.80	20.50	0
		1	24	18.80	18.75	18.72	20.50	0
		12	0	18.51	18.65	18.64	20.50	0
		12	6	18.52	18.50	18.65	20.50	0
		12	13	18.57	18.66	18.54	20.50	0
		25	0	18.51	18.50	18.65	20.50	0
5	16-QAM	1	0	18.54	18.53	18.52	20.50	0
		1	12	18.51	18.51	18.59	20.50	0
		1	24	18.58	18.56	18.57	20.50	0
		12	0	18.54	18.63	18.55	20.50	0
		12	6	18.53	18.51	18.57	20.50	0
		12	13	18.58	18.55	18.54	20.50	0
		25	0	18.55	18.61	18.51	20.50	0
5	64-QAM	1	0	18.54	18.54	18.53	20.50	0
		1	12	18.57	18.65	18.59	20.50	0
		1	24	18.55	18.52	18.64	20.50	0
		12	0	18.53	18.64	18.57	20.50	0
		12	6	18.56	18.54	18.59	20.50	0
		12	13	18.58	18.57	18.55	20.50	0
		25	0	18.53	18.67	18.54	20.50	0
5	256-QAM	1	0	18.52	18.50	18.60	20.50	0
		1	12	18.55	18.55	18.57	20.50	0
		1	24	18.65	18.52	18.52	20.50	0
		12	0	18.61	18.58	18.55	20.50	0
		12	6	18.52	18.53	18.54	20.50	0
		12	13	18.51	18.57	18.52	20.50	0
		25	0	18.57	18.56	18.56	20.50	0

Unless otherwise stated the results shown in this test report refer only to the sample(s) tested and such sample(s) are retained for 90 days only.

除非另有說明，此報告結果僅對測試之樣品負責，同時此樣品僅保留90天。本報告未經本公司書面許可，不可部份複製。

This document is issued by the Company subject to its General Conditions of Service printed overleaf, available on request or accessible at <http://www.sgs.com.tw/Terms-and-Conditions> and for electronic format documents, subject to Terms and Conditions for Electronic Documents at <http://www.sgs.com.tw/Terms-and-Conditions>. Attention is drawn to the limitation of liability, indemnification and jurisdiction issues defined therein. Any holder of this document is advised that information contained hereon reflects the Company's findings at the time of its intervention only and within the limits of Client's instructions, if any. The Company's sole responsibility is to its Client and this document does not exonerate parties to a transaction from exercising all their rights and obligations under the transaction documents. This document cannot be reproduced except in full, without prior written approval of the Company. Any unauthorized alteration, forgery or falsification of the content or appearance of this document is unlawful and offenders may be prosecuted to the fullest extent of the law.

LTE Band 66								
BW(MHz)	Modulation	RB Size	RB Offset	Conducted power (dBm)			Target Power + Max. Tolerance (dBm)	MPR Allowed per 3GPP(dB)
Frequency (MHz)				1720	1745	1770		
Channel				132072	132322	132572		
20	QPSK	1	0	20.68	20.71	20.66	21.00	0
		1	50	20.52	20.60	20.41	21.00	0
		1	99	20.47	20.57	20.50	21.00	0
		50	0	20.47	20.42	20.23	21.00	0
		50	25	20.45	20.43	20.25	21.00	0
		50	50	20.48	20.51	20.28	21.00	0
		100	0	20.43	20.55	20.34	21.00	0
20	16-QAM	1	0	20.43	20.63	20.29	21.00	0
		1	50	20.37	20.61	20.34	21.00	0
		1	99	20.44	20.55	20.23	21.00	0
		50	0	20.52	20.56	20.28	21.00	0
		50	25	20.40	20.47	20.23	21.00	0
		50	50	20.44	20.53	20.40	21.00	0
		100	0	20.41	20.63	20.38	21.00	0
20	64-QAM	1	0	20.41	20.51	20.22	21.00	0
		1	50	20.51	20.46	20.31	21.00	0
		1	99	20.35	20.57	20.18	21.00	0
		50	0	20.44	20.45	20.28	21.00	0
		50	25	20.53	20.53	20.24	21.00	0
		50	50	20.55	20.59	20.25	21.00	0
		100	0	20.40	20.52	20.23	21.00	0
20	256-QAM	1	0	20.38	20.64	20.24	21.00	0
		1	50	20.38	20.48	20.24	21.00	0
		1	99	20.52	20.49	20.30	21.00	0
		50	0	20.45	20.46	20.38	21.00	0
		50	25	20.39	20.56	20.16	21.00	0
		50	50	20.49	20.43	20.25	21.00	0
		100	0	20.44	20.53	20.33	21.00	0

Unless otherwise stated the results shown in this test report refer only to the sample(s) tested and such sample(s) are retained for 90 days only.

除非另有說明，此報告結果僅對測試之樣品負責，同時此樣品僅保留90天。本報告未經本公司書面許可，不可部份複製。

This document is issued by the Company subject to its General Conditions of Service printed overleaf, available on request or accessible at <http://www.sgs.com.tw/Terms-and-Conditions> and for electronic format documents, subject to Terms and Conditions for Electronic Documents at <http://www.sgs.com.tw/Terms-and-Conditions>. Attention is drawn to the limitation of liability, indemnification and jurisdiction issues defined therein. Any holder of this document is advised that information contained hereon reflects the Company's findings at the time of its intervention only and within the limits of Client's instructions, if any. The Company's sole responsibility is to its Client and this document does not exonerate parties to a transaction from exercising all their rights and obligations under the transaction documents. This document cannot be reproduced except in full, without prior written approval of the Company. Any unauthorized alteration, forgery or falsification of the content or appearance of this document is unlawful and offenders may be prosecuted to the fullest extent of the law.

LTE Band 66								
BW(MHz)	Modulation	RB Size	RB Offset	Conducted power (dBm)			Target Power + Max. Tolerance (dBm)	MPR Allowed per 3GPP(dB)
Frequency (MHz)				1717.5	1745	1772.5		
Channel				132047	132322	132597		
15	QPSK	1	0	20.60	20.68	20.52	21.00	0
		1	36	20.52	20.62	20.40	21.00	0
		1	74	20.48	20.58	20.48	21.00	0
		36	0	20.46	20.43	20.24	21.00	0
		36	18	20.46	20.44	20.24	21.00	0
		36	37	20.50	20.46	20.30	21.00	0
		75	0	20.43	20.59	20.34	21.00	0
15	16-QAM	1	0	20.46	20.62	20.33	21.00	0
		1	36	20.37	20.61	20.29	21.00	0
		1	74	20.47	20.59	20.24	21.00	0
		36	0	20.53	20.58	20.24	21.00	0
		36	18	20.36	20.49	20.20	21.00	0
		36	37	20.45	20.54	20.40	21.00	0
		75	0	20.46	20.58	20.35	21.00	0
15	64-QAM	1	0	20.41	20.50	20.20	21.00	0
		1	36	20.48	20.49	20.28	21.00	0
		1	74	20.39	20.60	20.22	21.00	0
		36	0	20.42	20.49	20.28	21.00	0
		36	18	20.51	20.56	20.22	21.00	0
		36	37	20.55	20.55	20.29	21.00	0
		75	0	20.40	20.51	20.19	21.00	0
15	256-QAM	1	0	20.37	20.61	20.20	21.00	0
		1	36	20.39	20.49	20.24	21.00	0
		1	74	20.54	20.50	20.34	21.00	0
		36	0	20.47	20.41	20.38	21.00	0
		36	18	20.37	20.53	20.22	21.00	0
		36	37	20.50	20.48	20.21	21.00	0
		75	0	20.49	20.56	20.34	21.00	0

Unless otherwise stated the results shown in this test report refer only to the sample(s) tested and such sample(s) are retained for 90 days only.

除非另有說明，此報告結果僅對測試之樣品負責，同時此樣品僅保留90天。本報告未經本公司書面許可，不可部份複製。

This document is issued by the Company subject to its General Conditions of Service printed overleaf, available on request or accessible at <http://www.sgs.com.tw/Terms-and-Conditions> and for electronic format documents, subject to Terms and Conditions for Electronic Documents at <http://www.sgs.com.tw/Terms-and-Conditions>. Attention is drawn to the limitation of liability, indemnification and jurisdiction issues defined therein. Any holder of this document is advised that information contained hereon reflects the Company's findings at the time of its intervention only and within the limits of Client's instructions, if any. The Company's sole responsibility is to its Client and this document does not exonerate parties to a transaction from exercising all their rights and obligations under the transaction documents. This document cannot be reproduced except in full, without prior written approval of the Company. Any unauthorized alteration, forgery or falsification of the content or appearance of this document is unlawful and offenders may be prosecuted to the fullest extent of the law.

LTE Band 66								
BW(MHz)	Modulation	RB Size	RB Offset	Conducted power (dBm)			Target Power + Max. Tolerance (dBm)	MPR Allowed per 3GPP(dB)
Frequency (MHz)				1715	1745	1775		
Channel				132022	132322	132622		
10	QPSK	1	0	20.56	20.66	20.52	21.00	0
		1	25	20.51	20.63	20.42	21.00	0
		1	49	20.44	20.55	20.48	21.00	0
		25	0	20.46	20.42	20.25	21.00	0
		25	12	20.47	20.44	20.26	21.00	0
		25	25	20.49	20.48	20.31	21.00	0
		50	0	20.40	20.58	20.33	21.00	0
10	16-QAM	1	0	20.43	20.64	20.32	21.00	0
		1	25	20.38	20.59	20.34	21.00	0
		1	49	20.44	20.57	20.21	21.00	0
		25	0	20.55	20.58	20.25	21.00	0
		25	12	20.41	20.50	20.20	21.00	0
		25	25	20.48	20.52	20.35	21.00	0
		50	0	20.44	20.61	20.37	21.00	0
10	64-QAM	1	0	20.39	20.55	20.22	21.00	0
		1	25	20.51	20.49	20.29	21.00	0
		1	49	20.38	20.56	20.22	21.00	0
		25	0	20.44	20.46	20.32	21.00	0
		25	12	20.49	20.55	20.23	21.00	0
		25	25	20.58	20.55	20.23	21.00	0
		50	0	20.39	20.48	20.21	21.00	0
10	256-QAM	1	0	20.38	20.62	20.20	21.00	0
		1	25	20.38	20.48	20.26	21.00	0
		1	49	20.50	20.51	20.31	21.00	0
		25	0	20.49	20.42	20.38	21.00	0
		25	12	20.38	20.53	20.17	21.00	0
		25	25	20.47	20.47	20.23	21.00	0
		50	0	20.48	20.52	20.35	21.00	0

Unless otherwise stated the results shown in this test report refer only to the sample(s) tested and such sample(s) are retained for 90 days only.

除非另有說明，此報告結果僅對測試之樣品負責，同時此樣品僅保留90天。本報告未經本公司書面許可，不可部份複製。

This document is issued by the Company subject to its General Conditions of Service printed overleaf, available on request or accessible at <http://www.sgs.com.tw/Terms-and-Conditions> and for electronic format documents, subject to Terms and Conditions for Electronic Documents at <http://www.sgs.com.tw/Terms-and-Conditions>. Attention is drawn to the limitation of liability, indemnification and jurisdiction issues defined therein. Any holder of this document is advised that information contained hereon reflects the Company's findings at the time of its intervention only and within the limits of Client's instructions, if any. The Company's sole responsibility is to its Client and this document does not exonerate parties to a transaction from exercising all their rights and obligations under the transaction documents. This document cannot be reproduced except in full, without prior written approval of the Company. Any unauthorized alteration, forgery or falsification of the content or appearance of this document is unlawful and offenders may be prosecuted to the fullest extent of the law.

LTE Band 66								
BW(MHz)	Modulation	RB Size	RB Offset	Conducted power (dBm)			Target Power + Max. Tolerance (dBm)	MPR Allowed per 3GPP(dB)
Frequency (MHz)				1712.5	1745	1777.5		
Channel				131997	132322	132647		
5	QPSK	1	0	20.54	20.61	20.44	21.00	0
		1	12	20.48	20.56	20.38	21.00	0
		1	24	20.44	20.51	20.43	21.00	0
		12	0	20.43	20.39	20.19	21.00	0
		12	6	20.40	20.44	20.23	21.00	0
		12	13	20.45	20.46	20.25	21.00	0
		25	0	20.37	20.52	20.30	21.00	0
5	16-QAM	1	0	20.42	20.59	20.25	21.00	0
		1	12	20.32	20.59	20.29	21.00	0
		1	24	20.39	20.50	20.19	21.00	0
		12	0	20.47	20.50	20.21	21.00	0
		12	6	20.33	20.41	20.14	21.00	0
		12	13	20.41	20.48	20.31	21.00	0
		25	0	20.36	20.54	20.28	21.00	0
5	64-QAM	1	0	20.39	20.51	20.19	21.00	0
		1	12	20.43	20.41	20.27	21.00	0
		1	24	20.34	20.53	20.16	21.00	0
		12	0	20.36	20.44	20.27	21.00	0
		12	6	20.46	20.51	20.21	21.00	0
		12	13	20.52	20.51	20.23	21.00	0
		25	0	20.36	20.44	20.17	21.00	0
5	256-QAM	1	0	20.32	20.58	20.18	21.00	0
		1	12	20.34	20.43	20.16	21.00	0
		1	24	20.46	20.43	20.29	21.00	0
		12	0	20.40	20.39	20.33	21.00	0
		12	6	20.32	20.49	20.17	21.00	0
		12	13	20.42	20.40	20.20	21.00	0
		25	0	20.42	20.48	20.27	21.00	0

Unless otherwise stated the results shown in this test report refer only to the sample(s) tested and such sample(s) are retained for 90 days only.

除非另有說明，此報告結果僅對測試之樣品負責，同時此樣品僅保留90天。本報告未經本公司書面許可，不可部份複製。

This document is issued by the Company subject to its General Conditions of Service printed overleaf, available on request or accessible at <http://www.sgs.com.tw/Terms-and-Conditions> and for electronic format documents, subject to Terms and Conditions for Electronic Documents at <http://www.sgs.com.tw/Terms-and-Conditions>. Attention is drawn to the limitation of liability, indemnification and jurisdiction issues defined therein. Any holder of this document is advised that information contained hereon reflects the Company's findings at the time of its intervention only and within the limits of Client's instructions, if any. The Company's sole responsibility is to its Client and this document does not exonerate parties to a transaction from exercising all their rights and obligations under the transaction documents. This document cannot be reproduced except in full, without prior written approval of the Company. Any unauthorized alteration, forgery or falsification of the content or appearance of this document is unlawful and offenders may be prosecuted to the fullest extent of the law.

LTE Band 66								
BW(MHz)	Modulation	RB Size	RB Offset	Conducted power (dBm)			Target Power + Max. Tolerance (dBm)	MPR Allowed per 3GPP(dB)
Frequency (MHz)				1711.5	1745	1778.5		
Channel				131987	132322	132657		
3	QPSK	1	0	20.49	20.58	20.40	21.00	0
		1	7	20.44	20.51	20.35	21.00	0
		1	14	20.34	20.50	20.41	21.00	0
		8	0	20.35	20.35	20.14	21.00	0
		8	4	20.40	20.34	20.17	21.00	0
		8	7	20.38	20.38	20.22	21.00	0
		15	0	20.34	20.46	20.20	21.00	0
3	16-QAM	1	0	20.36	20.50	20.22	21.00	0
		1	7	20.29	20.53	20.23	21.00	0
		1	14	20.34	20.47	20.14	21.00	0
		8	0	20.45	20.43	20.18	21.00	0
		8	4	20.31	20.36	20.10	21.00	0
		8	7	20.36	20.40	20.29	21.00	0
		15	0	20.36	20.52	20.27	21.00	0
3	64-QAM	1	0	20.31	20.45	20.11	21.00	0
		1	7	20.37	20.40	20.21	21.00	0
		1	14	20.29	20.49	20.09	21.00	0
		8	0	20.32	20.36	20.21	21.00	0
		8	4	20.39	20.43	20.13	21.00	0
		8	7	20.44	20.47	20.16	21.00	0
		15	0	20.33	20.37	20.12	21.00	0
3	256-QAM	1	0	20.27	20.52	20.10	21.00	0
		1	7	20.28	20.37	20.11	21.00	0
		1	14	20.39	20.41	20.21	21.00	0
		8	0	20.33	20.33	20.23	21.00	0
		8	4	20.29	20.45	20.09	21.00	0
		8	7	20.40	20.39	20.17	21.00	0
		15	0	20.34	20.42	20.25	21.00	0

Unless otherwise stated the results shown in this test report refer only to the sample(s) tested and such sample(s) are retained for 90 days only.

除非另有說明，此報告結果僅對測試之樣品負責，同時此樣品僅保留90天。本報告未經本公司書面許可，不可部份複製。

This document is issued by the Company subject to its General Conditions of Service printed overleaf, available on request or accessible at <http://www.sgs.com.tw/Terms-and-Conditions> and for electronic format documents, subject to Terms and Conditions for Electronic Documents at <http://www.sgs.com.tw/Terms-and-Conditions>. Attention is drawn to the limitation of liability, indemnification and jurisdiction issues defined therein. Any holder of this document is advised that information contained hereon reflects the Company's findings at the time of its intervention only and within the limits of Client's instructions, if any. The Company's sole responsibility is to its Client and this document does not exonerate parties to a transaction from exercising all their rights and obligations under the transaction documents. This document cannot be reproduced except in full, without prior written approval of the Company. Any unauthorized alteration, forgery or falsification of the content or appearance of this document is unlawful and offenders may be prosecuted to the fullest extent of the law.

LTE Band 66								
BW(MHz)	Modulation	RB Size	RB Offset	Conducted power (dBm)			Target Power + Max. Tolerance (dBm)	MPR Allowed per 3GPP(dB)
Frequency (MHz)				1710.7	1745	1779.3		
Channel				131979	132322	132665		
1.4	QPSK	1	0	20.43	20.54	20.36	21.00	0
		1	2	20.41	20.49	20.25	21.00	0
		1	5	20.32	20.41	20.35	21.00	0
		3	0	20.32	20.33	20.11	21.00	0
		3	2	20.32	20.33	20.13	21.00	0
		3	3	20.38	20.35	20.13	21.00	0
		6	0	20.24	20.42	20.22	21.00	0
1.4	16-QAM	1	0	20.32	20.47	20.18	21.00	0
		1	2	20.26	20.48	20.19	21.00	0
		1	5	20.27	20.43	20.09	21.00	0
		3	0	20.40	20.42	20.15	21.00	0
		3	2	20.23	20.36	20.09	21.00	0
		3	3	20.32	20.36	20.22	21.00	0
		6	0	20.32	20.48	20.21	21.00	0
1.4	64-QAM	1	0	20.29	20.37	20.06	21.00	0
		1	2	20.35	20.35	20.14	21.00	0
		1	5	20.21	20.46	20.04	21.00	0
		3	0	20.31	20.30	20.17	21.00	0
		3	2	20.40	20.42	20.07	21.00	0
		3	3	20.44	20.45	20.13	21.00	0
		6	0	20.26	20.35	20.06	21.00	0
1.4	256-QAM	1	0	20.23	20.50	20.09	21.00	0
		1	2	20.24	20.33	20.08	21.00	0
		1	5	20.38	20.36	20.22	21.00	0
		3	0	20.35	20.28	20.19	21.00	0
		3	2	20.22	20.40	20.03	21.00	0
		3	3	20.32	20.34	20.11	21.00	0
		6	0	20.31	20.38	20.20	21.00	0

Unless otherwise stated the results shown in this test report refer only to the sample(s) tested and such sample(s) are retained for 90 days only.

除非另有說明，此報告結果僅對測試之樣品負責，同時此樣品僅保留90天。本報告未經本公司書面許可，不可部份複製。

This document is issued by the Company subject to its General Conditions of Service printed overleaf, available on request or accessible at <http://www.sgs.com.tw/Terms-and-Conditions> and for electronic format documents, subject to Terms and Conditions for Electronic Documents at <http://www.sgs.com.tw/Terms-and-Conditions>. Attention is drawn to the limitation of liability, indemnification and jurisdiction issues defined therein. Any holder of this document is advised that information contained hereon reflects the Company's findings at the time of its intervention only and within the limits of Client's instructions, if any. The Company's sole responsibility is to its Client and this document does not exonerate parties to a transaction from exercising all their rights and obligations under the transaction documents. This document cannot be reproduced except in full, without prior written approval of the Company. Any unauthorized alteration, forgery or falsification of the content or appearance of this document is unlawful and offenders may be prosecuted to the fullest extent of the law.

6.3 TDD LTE

ANT 5

LTE Band 38								
LTE Band 38	Modulation	RB Size	RB Offset	Conducted power (dBm)			Target Power + Max. Tolerance (dBm)	MPR Allowed per 3GPP(dB)
Frequency (MHz)				2580	2595	2610		
Channel				37850	38000	38150		
20	QPSK	1	0	19.39	19.28	19.26	19.50	0
		1	50	19.33	19.25	19.22	19.50	0
		1	99	19.29	19.20	19.19	19.50	0
		50	0	19.22	19.23	19.16	19.50	0
		50	25	19.17	19.01	19.02	19.50	0
		50	50	19.15	19.06	19.08	19.50	0
		100	0	19.07	19.07	19.02	19.50	0
20	16-QAM	1	0	19.21	19.12	19.01	19.50	0
		1	50	19.04	19.07	19.05	19.50	0
		1	99	19.07	19.19	19.10	19.50	0
		50	0	19.17	19.14	19.15	19.50	0
		50	25	19.17	19.01	19.18	19.50	0
		50	50	19.06	19.05	19.06	19.50	0
		100	0	19.23	19.19	19.08	19.50	0
20	64-QAM	1	0	19.09	19.03	19.07	19.50	0
		1	50	19.16	19.02	19.02	19.50	0
		1	99	19.19	19.09	19.03	19.50	0
		50	0	19.21	19.04	19.20	19.50	0
		50	25	19.17	19.13	19.05	19.50	0
		50	50	19.23	19.06	19.07	19.50	0
		100	0	19.06	19.13	19.07	19.50	0
20	256-QAM	1	0	19.18	19.14	19.01	19.50	0
		1	50	19.19	19.19	19.04	19.50	0
		1	99	19.16	19.13	19.09	19.50	0
		50	0	19.21	19.05	19.08	19.50	0
		50	25	19.17	19.06	19.16	19.50	0
		50	50	19.13	19.10	19.14	19.50	0
		100	0	19.13	19.03	19.20	19.50	0

Unless otherwise stated the results shown in this test report refer only to the sample(s) tested and such sample(s) are retained for 90 days only.

除非另有說明，此報告結果僅對測試之樣品負責，同時此樣品僅保留90天。本報告未經本公司書面許可，不可部份複製。

This document is issued by the Company subject to its General Conditions of Service printed overleaf, available on request or accessible at <http://www.sgs.com.tw/Terms-and-Conditions> and for electronic format documents, subject to Terms and Conditions for Electronic Documents at <http://www.sgs.com.tw/Terms-and-Conditions>. Attention is drawn to the limitation of liability, indemnification and jurisdiction issues defined therein. Any holder of this document is advised that information contained hereon reflects the Company's findings at the time of its intervention only and within the limits of Client's instructions, if any. The Company's sole responsibility is to its Client and this document does not exonerate parties to a transaction from exercising all their rights and obligations under the transaction documents. This document cannot be reproduced except in full, without prior written approval of the Company. Any unauthorized alteration, forgery or falsification of the content or appearance of this document is unlawful and offenders may be prosecuted to the fullest extent of the law.

LTE Band 38								
BW(MHz)	Modulation	RB Size	RB Offset	Conducted power (dBm)			Target Power + Max. Tolerance (dBm)	MPR Allowed per 3GPP(dB)
Frequency (MHz)				2577.5	2595	2612.5		
Channel				37825	38000	38175		
15	QPSK	1	0	19.21	19.10	19.18	19.50	0
		1	36	19.09	19.10	19.12	19.50	0
		1	74	19.13	19.01	18.97	19.50	0
		36	0	18.98	18.96	19.03	19.50	0
		36	18	19.04	19.12	19.02	19.50	0
		36	37	19.01	19.03	19.03	19.50	0
		75	0	19.00	19.02	19.08	19.50	0
15	16-QAM	1	0	19.01	19.10	18.98	19.50	0
		1	36	18.98	19.06	18.94	19.50	0
		1	74	19.11	19.05	19.07	19.50	0
		36	0	19.08	19.02	19.06	19.50	0
		36	18	19.00	19.06	18.95	19.50	0
		36	37	19.01	19.02	18.93	19.50	0
		75	0	19.08	18.94	18.94	19.50	0
15	64-QAM	1	0	18.98	18.96	19.04	19.50	0
		1	36	19.12	19.06	19.00	19.50	0
		1	74	19.11	19.01	19.11	19.50	0
		36	0	19.06	19.04	19.03	19.50	0
		36	18	19.12	18.99	19.03	19.50	0
		36	37	18.99	18.94	18.98	19.50	0
		75	0	19.11	18.98	19.03	19.50	0
15	256-QAM	1	0	19.08	19.04	18.96	19.50	0
		1	36	19.03	19.08	19.09	19.50	0
		1	74	19.10	19.08	18.96	19.50	0
		36	0	19.04	19.00	19.04	19.50	0
		36	18	19.07	19.04	18.99	19.50	0
		36	37	19.10	18.99	18.98	19.50	0
		75	0	19.13	19.05	19.10	19.50	0

Unless otherwise stated the results shown in this test report refer only to the sample(s) tested and such sample(s) are retained for 90 days only.

除非另有說明，此報告結果僅對測試之樣品負責，同時此樣品僅保留90天。本報告未經本公司書面許可，不可部份複製。

This document is issued by the Company subject to its General Conditions of Service printed overleaf, available on request or accessible at <http://www.sgs.com.tw/Terms-and-Conditions> and for electronic format documents, subject to Terms and Conditions for Electronic Documents at <http://www.sgs.com.tw/Terms-and-Conditions>. Attention is drawn to the limitation of liability, indemnification and jurisdiction issues defined therein. Any holder of this document is advised that information contained hereon reflects the Company's findings at the time of its intervention only and within the limits of Client's instructions, if any. The Company's sole responsibility is to its Client and this document does not exonerate parties to a transaction from exercising all their rights and obligations under the transaction documents. This document cannot be reproduced except in full, without prior written approval of the Company. Any unauthorized alteration, forgery or falsification of the content or appearance of this document is unlawful and offenders may be prosecuted to the fullest extent of the law.

LTE Band 38								
BW(MHz)	Modulation	RB Size	RB Offset	Conducted power (dBm)			Target Power + Max. Tolerance (dBm)	MPR Allowed per 3GPP(dB)
Frequency (MHz)				2575	2595	2615		
Channel				37800	38000	38200		
10	QPSK	1	0	19.07	19.10	19.00	19.50	0
		1	25	19.05	18.98	19.00	19.50	0
		1	49	19.04	18.99	19.02	19.50	0
		25	0	19.06	19.12	19.04	19.50	0
		25	12	19.00	19.12	18.99	19.50	0
		25	25	18.98	19.15	19.03	19.50	0
		50	0	18.98	19.07	19.00	19.50	0
10	16-QAM	1	0	19.01	19.02	19.10	19.50	0
		1	25	19.07	19.15	19.09	19.50	0
		1	49	19.09	19.10	19.03	19.50	0
		25	0	18.99	18.99	19.07	19.50	0
		25	12	19.04	19.17	18.98	19.50	0
		25	25	18.97	19.02	19.13	19.50	0
		50	0	19.08	19.08	18.99	19.50	0
10	64-QAM	1	0	19.11	19.10	19.16	19.50	0
		1	25	19.13	19.05	19.06	19.50	0
		1	49	19.10	19.01	19.08	19.50	0
		25	0	19.04	19.16	19.06	19.50	0
		25	12	19.07	18.98	18.98	19.50	0
		25	25	19.14	19.01	19.01	19.50	0
		50	0	19.12	19.15	19.00	19.50	0
10	256-QAM	1	0	19.16	19.16	18.98	19.50	0
		1	25	19.07	19.02	19.13	19.50	0
		1	49	19.16	19.03	19.15	19.50	0
		25	0	18.99	19.17	19.09	19.50	0
		25	12	19.01	18.99	19.12	19.50	0
		25	25	19.01	19.06	19.01	19.50	0
		50	0	19.11	19.13	19.15	19.50	0

Unless otherwise stated the results shown in this test report refer only to the sample(s) tested and such sample(s) are retained for 90 days only.

除非另有說明，此報告結果僅對測試之樣品負責，同時此樣品僅保留90天。本報告未經本公司書面許可，不可部份複製。

This document is issued by the Company subject to its General Conditions of Service printed overleaf, available on request or accessible at <http://www.sgs.com.tw/Terms-and-Conditions> and for electronic format documents, subject to Terms and Conditions for Electronic Documents at <http://www.sgs.com.tw/Terms-and-Conditions>. Attention is drawn to the limitation of liability, indemnification and jurisdiction issues defined therein. Any holder of this document is advised that information contained hereon reflects the Company's findings at the time of its intervention only and within the limits of Client's instructions, if any. The Company's sole responsibility is to its Client and this document does not exonerate parties to a transaction from exercising all their rights and obligations under the transaction documents. This document cannot be reproduced except in full, without prior written approval of the Company. Any unauthorized alteration, forgery or falsification of the content or appearance of this document is unlawful and offenders may be prosecuted to the fullest extent of the law.

LTE Band 38								
BW(MHz)	Modulation	RB Size	RB Offset	Conducted power (dBm)			Target Power + Max. Tolerance (dBm)	MPR Allowed per 3GPP(dB)
Frequency (MHz)				2572.5	2595	2617.5		
Channel				37775	38000	38225		
5	QPSK	1	0	19.09	19.02	19.03	19.50	0
		1	12	19.12	19.02	19.02	19.50	0
		1	24	19.06	19.16	19.12	19.50	0
		12	0	19.01	19.08	19.04	19.50	0
		12	6	19.02	18.99	19.04	19.50	0
		12	13	19.14	19.17	19.09	19.50	0
		25	0	19.11	19.04	19.13	19.50	0
5	16-QAM	1	0	19.17	19.13	19.05	19.50	0
		1	12	19.06	19.10	19.13	19.50	0
		1	24	19.10	19.04	19.09	19.50	0
		12	0	18.99	18.97	19.14	19.50	0
		12	6	19.05	18.97	19.00	19.50	0
		12	13	19.13	18.99	19.15	19.50	0
		25	0	19.13	19.16	19.04	19.50	0
5	64-QAM	1	0	19.08	19.13	19.00	19.50	0
		1	12	19.04	19.13	19.07	19.50	0
		1	24	19.11	19.14	19.05	19.50	0
		12	0	19.06	19.05	19.09	19.50	0
		12	6	19.11	19.08	19.16	19.50	0
		12	13	19.02	19.00	19.12	19.50	0
		25	0	19.05	19.13	19.02	19.50	0
5	256-QAM	1	0	19.16	19.08	19.13	19.50	0
		1	12	19.10	18.98	19.03	19.50	0
		1	24	19.08	18.99	19.03	19.50	0
		12	0	19.02	19.11	19.07	19.50	0
		12	6	19.04	19.09	19.10	19.50	0
		12	13	19.15	19.10	18.98	19.50	0
		25	0	19.13	19.06	19.02	19.50	0

Unless otherwise stated the results shown in this test report refer only to the sample(s) tested and such sample(s) are retained for 90 days only.

除非另有說明，此報告結果僅對測試之樣品負責，同時此樣品僅保留90天。本報告未經本公司書面許可，不可部份複製。

This document is issued by the Company subject to its General Conditions of Service printed overleaf, available on request or accessible at <http://www.sgs.com.tw/Terms-and-Conditions> and for electronic format documents, subject to Terms and Conditions for Electronic Documents at <http://www.sgs.com.tw/Terms-and-Conditions>. Attention is drawn to the limitation of liability, indemnification and jurisdiction issues defined therein. Any holder of this document is advised that information contained hereon reflects the Company's findings at the time of its intervention only and within the limits of Client's instructions, if any. The Company's sole responsibility is to its Client and this document does not exonerate parties to a transaction from exercising all their rights and obligations under the transaction documents. This document cannot be reproduced except in full, without prior written approval of the Company. Any unauthorized alteration, forgery or falsification of the content or appearance of this document is unlawful and offenders may be prosecuted to the fullest extent of the law.

LTE Band 41										
BW(MHz)	Modulation	RB Size	RB Offset	Conducted power (dBm)					Target Power + Max. Tolerance (dBm)	MPR Allowed per 3GPP (dB)
Frequency (MHz)				2506	2549.5	2593	2636.5	2680		
Channel				39750	40185	40620	41055	41490		
20	QPSK	1	0	17.88	17.90	17.95	17.84	17.80	18.00	0
		1	50	17.71	17.79	17.68	17.69	17.78	18.00	0
		1	99	17.66	17.75	17.65	17.64	17.72	18.00	0
		50	0	17.69	17.68	17.62	17.67	17.66	18.00	0
		50	25	17.47	17.63	17.48	17.46	17.63	18.00	0
		50	50	17.52	17.61	17.54	17.48	17.58	18.00	0
20	16-QAM	100	0	17.53	17.53	17.48	17.49	17.53	18.00	0
		1	0	17.58	17.67	17.47	17.54	17.61	18.00	0
		1	50	17.53	17.50	17.51	17.51	17.45	18.00	0
		1	99	17.65	17.53	17.56	17.61	17.52	18.00	0
		50	0	17.60	17.63	17.61	17.57	17.62	18.00	0
		50	25	17.47	17.63	17.64	17.44	17.59	18.00	0
20	64-QAM	50	50	17.51	17.52	17.52	17.51	17.52	18.00	0
		100	0	17.65	17.69	17.54	17.59	17.69	18.00	0
		1	0	17.49	17.55	17.53	17.49	17.52	18.00	0
		1	50	17.48	17.62	17.48	17.47	17.58	18.00	0
		1	99	17.55	17.65	17.49	17.52	17.62	18.00	0
		50	0	17.50	17.67	17.66	17.48	17.66	18.00	0
20	256-QAM	50	25	17.59	17.63	17.51	17.58	17.61	18.00	0
		50	50	17.52	17.69	17.53	17.47	17.68	18.00	0
		100	0	17.59	17.52	17.53	17.57	17.48	18.00	0
		1	0	17.60	17.64	17.47	17.60	17.59	18.00	0
		1	50	17.65	17.65	17.50	17.64	17.63	18.00	0
		1	99	17.59	17.62	17.55	17.57	17.61	18.00	0
20	256-QAM	50	0	17.51	17.67	17.54	17.48	17.65	18.00	0
		50	25	17.52	17.63	17.62	17.49	17.58	18.00	0
		50	50	17.56	17.59	17.60	17.55	17.57	18.00	0
		100	0	17.49	17.59	17.66	17.45	17.53	18.00	0

Unless otherwise stated the results shown in this test report refer only to the sample(s) tested and such sample(s) are retained for 90 days only.

除非另有說明，此報告結果僅對測試之樣品負責，同時此樣品僅保留90天。本報告未經本公司書面許可，不可部份複製。

This document is issued by the Company subject to its General Conditions of Service printed overleaf, available on request or accessible at <http://www.sgs.com.tw/Terms-and-Conditions> and for electronic format documents, subject to Terms and Conditions for Electronic Documents at <http://www.sgs.com.tw/Terms-and-Conditions>. Attention is drawn to the limitation of liability, indemnification and jurisdiction issues defined therein. Any holder of this document is advised that information contained hereon reflects the Company's findings at the time of its intervention only and within the limits of Client's instructions, if any. The Company's sole responsibility is to its Client and this document does not exonerate parties to a transaction from exercising all their rights and obligations under the transaction documents. This document cannot be reproduced except in full, without prior written approval of the Company. Any unauthorized alteration, forgery or falsification of the content or appearance of this document is unlawful and offenders may be prosecuted to the fullest extent of the law.

LTE Band 41										
BW(MHz)	Modulation	RB Size	RB Offset	Conducted power (dBm)					Target Power + Max. Tolerance (dBm)	MPR Allowed per 3GPP (dB)
Frequency (MHz)				2503.5	2548.3	2593	2637.8	2682.5		
Channel				39725	40173	40620	41068	41515		
15	QPSK	1	0	17.85	17.88	17.91	17.82	17.77	18.00	0
		1	36	17.66	17.74	17.65	17.65	17.74	18.00	0
		1	74	17.62	17.73	17.65	17.62	17.69	18.00	0
		36	0	17.65	17.63	17.62	17.64	17.60	18.00	0
		36	18	17.41	17.59	17.47	17.46	17.62	18.00	0
		36	37	17.50	17.58	17.49	17.44	17.55	18.00	0
15	16-QAM	75	0	17.48	17.50	17.47	17.45	17.49	18.00	0
		1	0	17.57	17.61	17.47	17.50	17.59	18.00	0
		1	36	17.48	17.45	17.51	17.50	17.40	18.00	0
		1	74	17.63	17.53	17.54	17.59	17.49	18.00	0
		36	0	17.57	17.61	17.60	17.54	17.59	18.00	0
		36	18	17.42	17.57	17.60	17.43	17.53	18.00	0
15	64-QAM	36	37	17.50	17.49	17.52	17.46	17.48	18.00	0
		75	0	17.64	17.64	17.49	17.53	17.68	18.00	0
		1	0	17.48	17.52	17.48	17.49	17.48	18.00	0
		1	36	17.43	17.62	17.47	17.45	17.54	18.00	0
		1	74	17.52	17.63	17.47	17.48	17.57	18.00	0
		36	0	17.50	17.64	17.64	17.45	17.66	18.00	0
15	256-QAM	36	18	17.58	17.63	17.49	17.52	17.59	18.00	0
		36	37	17.51	17.64	17.51	17.44	17.63	18.00	0
		75	0	17.59	17.47	17.52	17.52	17.43	18.00	0
		1	0	17.59	17.62	17.45	17.58	17.56	18.00	0
		1	36	17.62	17.59	17.47	17.61	17.58	18.00	0
		1	74	17.56	17.57	17.54	17.52	17.58	18.00	0
15	256-QAM	36	0	17.47	17.67	17.52	17.47	17.65	18.00	0
		36	18	17.48	17.63	17.57	17.44	17.52	18.00	0
		36	37	17.52	17.57	17.57	17.55	17.57	18.00	0
		75	0	17.44	17.58	17.63	17.43	17.47	18.00	0

Unless otherwise stated the results shown in this test report refer only to the sample(s) tested and such sample(s) are retained for 90 days only.

除非另有說明，此報告結果僅對測試之樣品負責，同時此樣品僅保留90天。本報告未經本公司書面許可，不可部份複製。

This document is issued by the Company subject to its General Conditions of Service printed overleaf, available on request or accessible at <http://www.sgs.com.tw/Terms-and-Conditions> and for electronic format documents, subject to Terms and Conditions for Electronic Documents at <http://www.sgs.com.tw/Terms-and-Conditions>. Attention is drawn to the limitation of liability, indemnification and jurisdiction issues defined therein. Any holder of this document is advised that information contained hereon reflects the Company's findings at the time of its intervention only and within the limits of Client's instructions, if any. The Company's sole responsibility is to its Client and this document does not exonerate parties to a transaction from exercising all their rights and obligations under the transaction documents. This document cannot be reproduced except in full, without prior written approval of the Company. Any unauthorized alteration, forgery or falsification of the content or appearance of this document is unlawful and offenders may be prosecuted to the fullest extent of the law.

LTE Band 41										
BW(MHz)	Modulation	RB Size	RB Offset	Conducted power (dBm)					Target Power + Max. Tolerance (dBm)	MPR Allowed per 3GPP (dB)
Frequency (MHz)			2501	2547	2593	2639	2685			
Channel			39700	40160	40620	41080	41540			
10	QPSK	1	0	17.83	17.82	17.88	17.74	17.70	18.00	0
		1	25	17.64	17.71	17.63	17.62	17.72	18.00	0
		1	49	17.61	17.69	17.55	17.58	17.65	18.00	0
		25	0	17.59	17.62	17.52	17.60	17.60	18.00	0
		25	12	17.38	17.57	17.37	17.37	17.54	18.00	0
		25	25	17.42	17.54	17.48	17.38	17.49	18.00	0
10	16-QAM	50	0	17.44	17.47	17.39	17.38	17.45	18.00	0
		1	0	17.52	17.57	17.37	17.45	17.55	18.00	0
		1	25	17.42	17.42	17.44	17.42	17.36	18.00	0
		1	49	17.59	17.47	17.45	17.51	17.43	18.00	0
		25	0	17.50	17.54	17.52	17.46	17.53	18.00	0
		25	12	17.39	17.54	17.58	17.37	17.54	18.00	0
10	64-QAM	25	25	17.46	17.47	17.46	17.45	17.43	18.00	0
		50	0	17.57	17.60	17.43	17.54	17.63	18.00	0
		1	0	17.44	17.49	17.45	17.42	17.42	18.00	0
		1	25	17.41	17.54	17.42	17.40	17.50	18.00	0
		1	49	17.47	17.56	17.39	17.41	17.56	18.00	0
		25	0	17.39	17.59	17.56	17.42	17.60	18.00	0
10	256-QAM	25	12	17.51	17.57	17.43	17.47	17.54	18.00	0
		25	25	17.44	17.61	17.47	17.39	17.60	18.00	0
		50	0	17.52	17.46	17.44	17.46	17.42	18.00	0
		1	0	17.52	17.55	17.38	17.53	17.49	18.00	0
		1	25	17.59	17.55	17.40	17.59	17.52	18.00	0
		1	49	17.54	17.57	17.45	17.52	17.56	18.00	0
10	256-QAM	25	0	17.41	17.58	17.44	17.39	17.56	18.00	0
		25	12	17.41	17.57	17.52	17.39	17.50	18.00	0
		25	25	17.48	17.51	17.51	17.50	17.49	18.00	0
		50	0	17.43	17.53	17.55	17.36	17.48	18.00	0

Unless otherwise stated the results shown in this test report refer only to the sample(s) tested and such sample(s) are retained for 90 days only.

除非另有說明，此報告結果僅對測試之樣品負責，同時此樣品僅保留90天。本報告未經本公司書面許可，不可部份複製。

This document is issued by the Company subject to its General Conditions of Service printed overleaf, available on request or accessible at <http://www.sgs.com.tw/Terms-and-Conditions> and for electronic format documents, subject to Terms and Conditions for Electronic Documents at <http://www.sgs.com.tw/Terms-and-Conditions>. Attention is drawn to the limitation of liability, indemnification and jurisdiction issues defined therein. Any holder of this document is advised that information contained hereon reflects the Company's findings at the time of its intervention only and within the limits of Client's instructions, if any. The Company's sole responsibility is to its Client and this document does not exonerate parties to a transaction from exercising all their rights and obligations under the transaction documents. This document cannot be reproduced except in full, without prior written approval of the Company. Any unauthorized alteration, forgery or falsification of the content or appearance of this document is unlawful and offenders may be prosecuted to the fullest extent of the law.

LTE Band 41										
BW(MHz)	Modulation	RB Size	RB Offset	Conducted power (dBm)					Target Power + Max. Tolerance (dBm)	MPR Allowed per 3GPP (dB)
Frequency (MHz)			2498.5	2545.8	2593	2640.3	2687.5			
Channel			39675	40148	40620	41093	41565			
5	QPSK	1	0	17.79	17.83	17.84	17.72	17.68	18.00	0
		1	12	17.62	17.70	17.58	17.60	17.70	18.00	0
		1	24	17.56	17.67	17.58	17.57	17.66	18.00	0
		12	0	17.63	17.58	17.57	17.57	17.60	18.00	0
		12	6	17.37	17.57	17.40	17.36	17.54	18.00	0
		12	13	17.43	17.52	17.49	17.41	17.47	18.00	0
5	16-QAM	25	0	17.47	17.43	17.40	17.43	17.47	18.00	0
		1	0	17.50	17.60	17.38	17.48	17.51	18.00	0
		1	12	17.47	17.40	17.45	17.45	17.39	18.00	0
		1	24	17.59	17.47	17.50	17.52	17.46	18.00	0
		12	0	17.55	17.54	17.53	17.50	17.53	18.00	0
		12	6	17.36	17.56	17.56	17.35	17.50	18.00	0
5	64-QAM	12	13	17.42	17.42	17.43	17.43	17.44	18.00	0
		25	0	17.56	17.62	17.49	17.53	17.59	18.00	0
		1	0	17.39	17.48	17.44	17.42	17.43	18.00	0
		1	12	17.42	17.53	17.39	17.42	17.52	18.00	0
		1	24	17.49	17.58	17.39	17.43	17.56	18.00	0
		12	0	17.41	17.57	17.58	17.42	17.56	18.00	0
5	256-QAM	12	6	17.49	17.56	17.41	17.49	17.50	18.00	0
		12	13	17.43	17.60	17.48	17.39	17.63	18.00	0
		25	0	17.51	17.41	17.48	17.48	17.40	18.00	0
		1	0	17.54	17.56	17.37	17.52	17.51	18.00	0
		1	12	17.59	17.56	17.42	17.57	17.56	18.00	0
		1	24	17.53	17.55	17.49	17.49	17.51	18.00	0
5	256-QAM	12	0	17.46	17.60	17.45	17.43	17.55	18.00	0
		12	6	17.46	17.53	17.52	17.39	17.49	18.00	0
		12	13	17.47	17.51	17.53	17.47	17.50	18.00	0
		25	0	17.39	17.49	17.58	17.39	17.43	18.00	0

Unless otherwise stated the results shown in this test report refer only to the sample(s) tested and such sample(s) are retained for 90 days only.

除非另有說明，此報告結果僅對測試之樣品負責，同時此樣品僅保留90天。本報告未經本公司書面許可，不可部份複製。

This document is issued by the Company subject to its General Conditions of Service printed overleaf, available on request or accessible at <http://www.sgs.com.tw/Terms-and-Conditions> and for electronic format documents, subject to Terms and Conditions for Electronic Documents at <http://www.sgs.com.tw/Terms-and-Conditions>. Attention is drawn to the limitation of liability, indemnification and jurisdiction issues defined therein. Any holder of this document is advised that information contained hereon reflects the Company's findings at the time of its intervention only and within the limits of Client's instructions, if any. The Company's sole responsibility is to its Client and this document does not exonerate parties to a transaction from exercising all their rights and obligations under the transaction documents. This document cannot be reproduced except in full, without prior written approval of the Company. Any unauthorized alteration, forgery or falsification of the content or appearance of this document is unlawful and offenders may be prosecuted to the fullest extent of the law.

ANT 8

LTE Band 41										
BW(MHz)	Modulation	RB Size	RB Offset	Conducted power (dBm)					Target Power + Max. Tolerance (dBm)	MPR Allowed per 3GPP(dB)
Frequency (MHz)			2506	2549.5	2593	2636.5	2680			
Channel			39750	40185	40620	41055	41490			
20	QPSK	1	0	21.41	21.37	21.34	21.49	21.35	21.50	0
		1	50	21.32	21.35	21.28	21.22	21.22	21.50	0
		1	99	21.26	21.29	21.21	21.25	21.32	21.50	0
		50	0	21.24	21.30	21.17	21.23	21.26	21.50	0
		50	25	21.30	21.28	21.21	21.21	21.27	21.50	0
		50	50	21.35	21.33	21.23	21.26	21.32	21.50	0
20	16-QAM	100	0	21.28	21.19	21.20	21.30	21.32	21.50	0
		1	0	21.35	21.18	21.33	21.18	21.28	21.50	0
		1	50	21.18	21.32	21.33	21.29	21.21	21.50	0
		1	99	21.32	21.20	21.20	21.23	21.35	21.50	0
		50	0	21.20	21.27	21.34	21.34	21.18	21.50	0
		50	25	21.34	21.30	21.31	21.23	21.21	21.50	0
20	64-QAM	50	50	21.29	21.22	21.32	21.33	21.23	21.50	0
		100	0	21.24	21.18	21.25	21.18	21.24	21.50	0
		1	0	21.33	21.29	21.21	21.19	21.26	21.50	0
		1	50	21.33	21.21	21.24	21.36	21.30	21.50	0
		1	99	21.27	21.20	21.20	21.24	21.18	21.50	0
		50	0	21.23	21.29	21.26	21.19	21.31	21.50	0
20	256-QAM	50	25	21.25	21.29	21.32	21.18	21.36	21.50	0
		50	50	21.34	21.28	21.37	21.20	21.30	21.50	0
		100	0	21.23	21.21	21.29	21.18	21.32	21.50	0
		1	0	21.25	21.23	21.26	21.20	21.24	21.50	0
		1	50	21.36	21.37	21.30	21.29	21.29	21.50	0
		1	99	21.28	21.37	21.28	21.22	21.19	21.50	0
20	256-QAM	50	0	21.29	21.26	21.28	21.24	21.36	21.50	0
		50	25	21.23	21.32	21.30	21.32	21.19	21.50	0
		50	50	21.21	21.22	21.29	21.23	21.30	21.50	0
		100	0	21.35	21.19	21.36	21.21	21.24	21.50	0

Unless otherwise stated the results shown in this test report refer only to the sample(s) tested and such sample(s) are retained for 90 days only.

除非另有說明，此報告結果僅對測試之樣品負責，同時此樣品僅保留90天。本報告未經本公司書面許可，不可部份複製。

This document is issued by the Company subject to its General Conditions of Service printed overleaf, available on request or accessible at <http://www.sgs.com.tw/Terms-and-Conditions> and for electronic format documents, subject to Terms and Conditions for Electronic Documents at <http://www.sgs.com.tw/Terms-and-Conditions>. Attention is drawn to the limitation of liability, indemnification and jurisdiction issues defined therein. Any holder of this document is advised that information contained hereon reflects the Company's findings at the time of its intervention only and within the limits of Client's instructions, if any. The Company's sole responsibility is to its Client and this document does not exonerate parties to a transaction from exercising all their rights and obligations under the transaction documents. This document cannot be reproduced except in full, without prior written approval of the Company. Any unauthorized alteration, forgery or falsification of the content or appearance of this document is unlawful and offenders may be prosecuted to the fullest extent of the law.

LTE Band 41										
BW(MHz)	Modulation	RB Size	RB Offset	Conducted power (dBm)					Target Power + Max. Tolerance (dBm)	MPR Allowed per 3GPP(dB)
Frequency (MHz)				2503.5	2548.3	2593	2637.8	2682.5		
Channel				39725	40173	40620	41068	41515		
15	QPSK	1	0	21.32	21.31	21.23	21.36	21.35	21.31	0
		1	36	21.35	21.28	21.21	21.35	21.18	21.31	0
		1	74	21.25	21.25	21.21	21.23	21.35	21.25	0
		36	0	21.26	21.33	21.25	21.24	21.30	20.33	0
		36	18	21.21	21.20	21.19	21.22	21.24	20.25	0
		36	37	21.30	21.34	21.26	21.20	21.36	20.30	0
15	16-QAM	75	0	21.33	21.33	21.26	21.21	21.19	20.35	0
		1	0	21.31	21.31	21.27	21.29	21.29	20.27	0
		1	36	21.37	21.27	21.24	21.21	21.29	20.22	0
		1	74	21.27	21.19	21.31	21.34	21.28	20.39	0
		36	0	21.19	21.30	21.34	21.34	21.33	19.22	0
		36	18	21.31	21.25	21.35	21.21	21.18	19.20	0
15	64-QAM	36	37	21.23	21.29	21.27	21.17	21.33	19.32	0
		75	0	21.25	21.25	21.34	21.33	21.32	19.34	0
		1	0	21.37	21.27	21.18	21.36	21.37	19.27	0
		1	36	21.23	21.25	21.27	21.18	21.22	19.38	0
		1	74	21.19	21.22	21.30	21.28	21.35	19.34	0
		36	0	21.21	21.35	21.18	21.36	21.31	18.39	0
15	256-QAM	36	18	21.30	21.18	21.28	21.33	21.18	18.22	0
		36	37	21.19	21.35	21.27	21.21	21.20	18.20	0
		75	0	21.19	21.25	21.32	21.29	21.21	18.36	0
		1	0	21.26	21.31	21.32	21.36	21.20	18.39	0
		1	36	21.17	21.29	21.23	21.25	21.17	18.29	0
		1	74	21.33	21.32	21.30	21.36	21.29	18.30	0
15	256-QAM	36	0	21.18	21.20	21.23	21.24	21.20	17.34	0
		36	18	21.31	21.36	21.33	21.27	21.23	17.37	0
		36	37	21.36	21.31	21.19	21.25	21.26	17.35	0
		75	0	21.27	21.28	21.18	21.35	21.20	17.21	0

Unless otherwise stated the results shown in this test report refer only to the sample(s) tested and such sample(s) are retained for 90 days only.

除非另有說明，此報告結果僅對測試之樣品負責，同時此樣品僅保留90天。本報告未經本公司書面許可，不可部份複製。

This document is issued by the Company subject to its General Conditions of Service printed overleaf, available on request or accessible at <http://www.sgs.com.tw/Terms-and-Conditions> and for electronic format documents, subject to Terms and Conditions for Electronic Documents at <http://www.sgs.com.tw/Terms-and-Conditions>. Attention is drawn to the limitation of liability, indemnification and jurisdiction issues defined therein. Any holder of this document is advised that information contained hereon reflects the Company's findings at the time of its intervention only and within the limits of Client's instructions, if any. The Company's sole responsibility is to its Client and this document does not exonerate parties to a transaction from exercising all their rights and obligations under the transaction documents. This document cannot be reproduced except in full, without prior written approval of the Company. Any unauthorized alteration, forgery or falsification of the content or appearance of this document is unlawful and offenders may be prosecuted to the fullest extent of the law.

LTE Band 41										
BW(MHz)	Modulation	RB Size	RB Offset	Conducted power (dBm)					Target Power + Max. Tolerance (dBm)	MPR Allowed per 3GPP(dB)
Frequency (MHz)				2501	2547	2593	2639	2685		
Channel				39700	40160	40620	41080	41540		
10	QPSK	1	0	21.35	21.23	21.18	21.25	21.24	21.50	0
		1	25	21.28	21.32	21.20	21.27	21.33	21.50	0
		1	49	21.24	21.22	21.18	21.20	21.31	21.50	0
		25	0	21.28	21.20	21.26	21.32	21.18	21.50	0
		25	12	21.32	21.36	21.18	21.28	21.35	21.50	0
		25	25	21.26	21.23	21.34	21.32	21.34	21.50	0
10	16-QAM	50	0	21.32	21.19	21.27	21.25	21.24	21.50	0
		1	0	21.23	21.22	21.25	21.18	21.35	21.50	0
		1	25	21.23	21.20	21.35	21.24	21.28	21.50	0
		1	49	21.18	21.29	21.34	21.36	21.19	21.50	0
		25	0	21.37	21.19	21.21	21.25	21.34	21.50	0
		25	12	21.24	21.28	21.26	21.18	21.17	21.50	0
10	64-QAM	25	25	21.29	21.35	21.36	21.30	21.33	21.50	0
		50	0	21.21	21.24	21.22	21.33	21.33	21.50	0
		1	0	21.25	21.30	21.30	21.32	21.28	21.50	0
		1	25	21.20	21.34	21.18	21.35	21.34	21.50	0
		1	49	21.28	21.23	21.30	21.17	21.28	21.50	0
		25	0	21.20	21.22	21.17	21.34	21.31	21.50	0
10	256-QAM	25	12	21.18	21.26	21.26	21.35	21.35	21.50	0
		25	25	21.18	21.34	21.24	21.27	21.24	21.50	0
		50	0	21.20	21.30	21.26	21.25	21.31	21.50	0
		1	0	21.19	21.29	21.23	21.33	21.25	21.50	0
		1	25	21.26	21.19	21.34	21.27	21.29	21.50	0
		1	49	21.25	21.17	21.31	21.21	21.30	21.50	0
10	256-QAM	25	0	21.21	21.19	21.27	21.28	21.25	21.50	0
		25	12	21.21	21.22	21.28	21.34	21.30	21.50	0
		25	25	21.31	21.18	21.33	21.22	21.36	21.50	0
		50	0	21.36	21.35	21.26	21.30	21.23	21.50	0

Unless otherwise stated the results shown in this test report refer only to the sample(s) tested and such sample(s) are retained for 90 days only.

除非另有說明，此報告結果僅對測試之樣品負責，同時此樣品僅保留90天。本報告未經本公司書面許可，不可部份複製。

This document is issued by the Company subject to its General Conditions of Service printed overleaf, available on request or accessible at <http://www.sgs.com.tw/Terms-and-Conditions> and for electronic format documents, subject to Terms and Conditions for Electronic Documents at <http://www.sgs.com.tw/Terms-and-Conditions>. Attention is drawn to the limitation of liability, indemnification and jurisdiction issues defined therein. Any holder of this document is advised that information contained hereon reflects the Company's findings at the time of its intervention only and within the limits of Client's instructions, if any. The Company's sole responsibility is to its Client and this document does not exonerate parties to a transaction from exercising all their rights and obligations under the transaction documents. This document cannot be reproduced except in full, without prior written approval of the Company. Any unauthorized alteration, forgery or falsification of the content or appearance of this document is unlawful and offenders may be prosecuted to the fullest extent of the law.

LTE Band 41										
BW(MHz)	Modulation	RB Size	RB Offset	Conducted power (dBm)					Target Power + Max. Tolerance (dBm)	MPR Allowed per 3GPP (dB)
Frequency (MHz)				2498.5	2545.8	2593	2640.3	2687.5		
Channel				39675	40148	40620	41093	41565		
5	QPSK	1	0	21.31	21.36	21.31	21.28	21.31	21.50	0
		1	12	21.27	21.20	21.21	21.18	21.29	21.50	0
		1	24	21.22	21.30	21.25	21.27	21.36	21.50	0
		12	0	21.35	21.22	21.19	21.34	21.37	21.50	0
		12	6	21.30	21.32	21.17	21.22	21.27	21.50	0
		12	13	21.20	21.27	21.17	21.24	21.33	21.50	0
5	16-QAM	25	0	21.29	21.28	21.24	21.19	21.31	21.50	0
		1	0	21.30	21.31	21.30	21.33	21.34	21.50	0
		1	12	21.26	21.22	21.22	21.22	21.27	21.50	0
		1	24	21.35	21.20	21.18	21.29	21.25	21.50	0
		12	0	21.36	21.30	21.22	21.32	21.21	21.50	0
		12	6	21.35	21.32	21.23	21.21	21.25	21.50	0
5	64-QAM	12	13	21.33	21.33	21.34	21.35	21.20	21.50	0
		25	0	21.36	21.21	21.24	21.30	21.18	21.50	0
		1	0	21.32	21.23	21.21	21.25	21.20	21.50	0
		1	12	21.35	21.17	21.21	21.27	21.35	21.50	0
		1	24	21.24	21.24	21.17	21.18	21.24	21.50	0
		12	0	21.27	21.26	21.35	21.31	21.20	21.50	0
5	256-QAM	12	6	21.20	21.33	21.31	21.29	21.21	21.50	0
		12	13	21.26	21.30	21.23	21.20	21.35	21.50	0
		25	0	21.22	21.37	21.34	21.27	21.20	21.50	0
		1	0	21.32	21.21	21.21	21.19	21.26	21.50	0
		1	12	21.20	21.21	21.17	21.20	21.20	21.50	0
		1	24	21.26	21.22	21.36	21.20	21.30	21.50	0
5	256-QAM	12	0	21.23	21.37	21.24	21.27	21.17	21.50	0
		12	6	21.18	21.21	21.19	21.37	21.31	21.50	0
		12	13	21.22	21.31	21.19	21.35	21.30	21.50	0
		25	0	21.18	21.31	21.28	21.22	21.31	21.50	0

Unless otherwise stated the results shown in this test report refer only to the sample(s) tested and such sample(s) are retained for 90 days only.

除非另有說明，此報告結果僅對測試之樣品負責，同時此樣品僅保留90天。本報告未經本公司書面許可，不可部份複製。

This document is issued by the Company subject to its General Conditions of Service printed overleaf, available on request or accessible at <http://www.sgs.com.tw/Terms-and-Conditions> and for electronic format documents, subject to Terms and Conditions for Electronic Documents at <http://www.sgs.com.tw/Terms-and-Conditions>. Attention is drawn to the limitation of liability, indemnification and jurisdiction issues defined therein. Any holder of this document is advised that information contained hereon reflects the Company's findings at the time of its intervention only and within the limits of Client's instructions, if any. The Company's sole responsibility is to its Client and this document does not exonerate parties to a transaction from exercising all their rights and obligations under the transaction documents. This document cannot be reproduced except in full, without prior written approval of the Company. Any unauthorized alteration, forgery or falsification of the content or appearance of this document is unlawful and offenders may be prosecuted to the fullest extent of the law.

LTE Band 48							
BW(MHz)	Modulation	RB Size	RB Offset	Conducted power (dBm)			
Frequency (MHz)				3560	3609	3641	3690
Channel				55340	55830	56150	56640
20	QPSK	1	0	18.38	18.41	18.43	18.39
		1	50	18.13	18.10	18.09	18.26
		1	99	18.20	18.07	18.12	18.11
		50	0	18.20	18.23	18.11	18.09
		50	25	18.08	18.11	18.04	18.05
		50	50	18.12	18.18	18.09	18.06
		100	0	18.25	18.19	18.16	18.19
20	16-QAM	1	0	18.20	18.22	18.26	18.13
		1	50	18.23	18.21	18.05	18.10
		1	99	18.06	18.11	18.14	18.13
		50	0	18.16	18.09	18.17	18.08
		50	25	18.22	18.04	18.11	18.12
		50	50	18.10	18.17	18.20	18.11
		100	0	18.08	18.17	18.04	18.26
20	64-QAM	1	0	18.12	18.20	18.07	18.23
		1	50	18.04	18.22	18.19	18.10
		1	99	18.20	18.17	18.05	18.25
		50	0	18.15	18.12	18.17	18.15
		50	25	18.14	18.13	18.24	18.22
		50	50	18.24	18.13	18.21	18.07
		100	0	18.15	18.13	18.19	18.14
20	256-QAM	1	0	18.14	18.24	18.28	18.21
		1	50	18.18	18.20	18.14	18.11
		1	99	18.15	18.09	18.10	18.20
		50	0	18.22	18.08	18.14	18.23
		50	25	18.18	18.21	18.21	18.17
		50	50	18.16	18.13	18.12	18.10
		100	0	18.23	18.21	18.15	18.14

Unless otherwise stated the results shown in this test report refer only to the sample(s) tested and such sample(s) are retained for 90 days only.

除非另有說明，此報告結果僅對測試之樣品負責，同時此樣品僅保留90天。本報告未經本公司書面許可，不可部份複製。

This document is issued by the Company subject to its General Conditions of Service printed overleaf, available on request or accessible at <http://www.sgs.com.tw/Terms-and-Conditions> and for electronic format documents, subject to Terms and Conditions for Electronic Documents at <http://www.sgs.com.tw/Terms-and-Conditions>. Attention is drawn to the limitation of liability, indemnification and jurisdiction issues defined therein. Any holder of this document is advised that information contained hereon reflects the Company's findings at the time of its intervention only and within the limits of Client's instructions, if any. The Company's sole responsibility is to its Client and this document does not exonerate parties to a transaction from exercising all their rights and obligations under the transaction documents. This document cannot be reproduced except in full, without prior written approval of the Company. Any unauthorized alteration, forgery or falsification of the content or appearance of this document is unlawful and offenders may be prosecuted to the fullest extent of the law.

LTE Band 48							
BW(MHz)	Modulation	RB Size	RB Offset	Conducted power (dBm)			
Frequency (MHz)				3557.5	3608	3642	3692.5
Channel				55315	55820	56160	56665
15	QPSK	1	0	18.36	18.27	18.19	18.31
		1	36	18.17	18.13	18.07	18.23
		1	74	18.21	18.06	18.10	18.14
		36	0	18.17	18.21	18.13	18.14
		36	18	18.09	18.10	18.04	18.05
		36	37	18.17	18.15	18.10	18.04
		75	0	18.26	18.20	18.13	18.15
15	16-QAM	1	0	18.17	18.23	18.26	18.10
		1	36	18.19	18.16	18.07	18.10
		1	74	18.09	18.16	18.10	18.15
		36	0	18.20	18.06	18.14	18.10
		36	18	18.22	18.07	18.06	18.15
		36	37	18.11	18.16	18.17	18.12
		75	0	18.11	18.22	18.05	18.24
15	64-QAM	1	0	18.11	18.22	18.10	18.23
		1	36	18.05	18.24	18.16	18.08
		1	74	18.23	18.15	18.06	18.25
		36	0	18.16	18.09	18.17	18.16
		36	18	18.16	18.15	18.26	18.21
		36	37	18.23	18.16	18.24	18.08
		75	0	18.15	18.12	18.14	18.14
15	256-QAM	1	0	18.14	18.23	18.24	18.19
		1	36	18.17	18.18	18.13	18.10
		1	74	18.16	18.12	18.08	18.15
		36	0	18.21	18.07	18.09	18.20
		36	18	18.20	18.19	18.20	18.17
		36	37	18.13	18.13	18.11	18.08
		75	0	18.18	18.22	18.14	18.13

Unless otherwise stated the results shown in this test report refer only to the sample(s) tested and such sample(s) are retained for 90 days only.

除非另有說明，此報告結果僅對測試之樣品負責，同時此樣品僅保留90天。本報告未經本公司書面許可，不可部份複製。

This document is issued by the Company subject to its General Conditions of Service printed overleaf, available on request or accessible at <http://www.sgs.com.tw/Terms-and-Conditions> and for electronic format documents, subject to Terms and Conditions for Electronic Documents at <http://www.sgs.com.tw/Terms-and-Conditions>. Attention is drawn to the limitation of liability, indemnification and jurisdiction issues defined therein. Any holder of this document is advised that information contained hereon reflects the Company's findings at the time of its intervention only and within the limits of Client's instructions, if any. The Company's sole responsibility is to its Client and this document does not exonerate parties to a transaction from exercising all their rights and obligations under the transaction documents. This document cannot be reproduced except in full, without prior written approval of the Company. Any unauthorized alteration, forgery or falsification of the content or appearance of this document is unlawful and offenders may be prosecuted to the fullest extent of the law.

LTE Band 48							
BW(MHz)	Modulation	RB Size	RB Offset	Conducted power (dBm)			
Frequency (MHz)				3555	3607.5	3642.5	3695
Channel				55290	55815	56165	56690
10	QPSK	1	0	18.28	18.23	18.13	18.21
		1	25	18.09	18.08	18.01	18.18
		1	49	18.16	17.99	18.03	18.08
		25	0	18.16	18.18	18.10	18.08
		25	12	18.03	18.05	18.01	18.01
		25	25	18.10	18.10	18.06	18.03
		50	0	18.22	18.16	18.08	18.14
10	16-QAM	1	0	18.15	18.19	18.19	18.04
		1	25	18.15	18.15	17.98	18.07
		1	49	18.04	18.06	18.07	18.10
		25	0	18.12	18.04	18.11	18.04
		25	12	18.17	18.03	18.04	18.09
		25	25	18.05	18.12	18.13	18.06
		50	0	18.05	18.18	18.00	18.16
10	64-QAM	1	0	18.05	18.11	18.08	18.17
		1	25	18.01	18.19	18.09	18.02
		1	49	18.16	18.13	17.99	18.18
		25	0	18.15	18.07	18.13	18.13
		25	12	18.10	18.10	18.21	18.11
		25	25	18.20	18.09	18.18	18.04
		50	0	18.06	18.11	18.10	18.12
10	256-QAM	1	0	18.06	18.21	18.22	18.15
		1	25	18.11	18.15	18.08	18.08
		1	49	18.08	18.05	18.02	18.14
		25	0	18.16	18.04	18.07	18.19
		25	12	18.12	18.15	18.16	18.10
		25	25	18.11	18.10	18.08	18.06
		50	0	18.12	18.15	18.07	18.09

Unless otherwise stated the results shown in this test report refer only to the sample(s) tested and such sample(s) are retained for 90 days only.

除非另有說明，此報告結果僅對測試之樣品負責，同時此樣品僅保留90天。本報告未經本公司書面許可，不可部份複製。

This document is issued by the Company subject to its General Conditions of Service printed overleaf, available on request or accessible at <http://www.sgs.com.tw/Terms-and-Conditions> and for electronic format documents, subject to Terms and Conditions for Electronic Documents at <http://www.sgs.com.tw/Terms-and-Conditions>. Attention is drawn to the limitation of liability, indemnification and jurisdiction issues defined therein. Any holder of this document is advised that information contained hereon reflects the Company's findings at the time of its intervention only and within the limits of Client's instructions, if any. The Company's sole responsibility is to its Client and this document does not exonerate parties to a transaction from exercising all their rights and obligations under the transaction documents. This document cannot be reproduced except in full, without prior written approval of the Company. Any unauthorized alteration, forgery or falsification of the content or appearance of this document is unlawful and offenders may be prosecuted to the fullest extent of the law.

LTE Band 48							
BW(MHz)	Modulation	RB Size	RB Offset	Conducted power (dBm)			
Frequency (MHz)				3552.5	3607	3643	3697.5
Channel				55265	55810	56170	56715
5	QPSK	1	0	18.26	18.20	18.13	18.23
		1	12	18.05	18.03	18.00	18.14
		1	24	18.12	17.96	18.01	18.06
		12	0	18.09	18.12	18.05	18.07
		12	6	17.97	18.04	17.98	18.00
		12	13	18.07	18.07	18.06	17.97
		25	0	18.20	18.17	18.07	18.08
5	16-QAM	1	0	18.10	18.11	18.18	18.02
		1	12	18.11	18.10	17.99	18.02
		1	24	18.02	18.06	18.05	18.06
		12	0	18.10	18.01	18.08	17.99
		12	6	18.19	18.03	18.05	18.04
		12	13	18.07	18.07	18.14	18.07
		25	0	18.03	18.15	17.97	18.15
5	64-QAM	1	0	18.05	18.10	18.01	18.19
		1	12	18.03	18.15	18.08	18.03
		1	24	18.13	18.12	17.96	18.15
		12	0	18.11	18.05	18.09	18.12
		12	6	18.09	18.07	18.19	18.14
		12	13	18.18	18.04	18.15	18.05
		25	0	18.04	18.11	18.11	18.11
5	256-QAM	1	0	18.06	18.17	18.19	18.15
		1	12	18.13	18.10	18.04	18.00
		1	24	18.07	18.05	17.98	18.10
		12	0	18.14	18.03	18.06	18.18
		12	6	18.09	18.12	18.09	18.09
		12	13	18.08	18.10	18.10	18.00
		25	0	18.15	18.14	18.08	18.11

Unless otherwise stated the results shown in this test report refer only to the sample(s) tested and such sample(s) are retained for 90 days only.

除非另有說明，此報告結果僅對測試之樣品負責，同時此樣品僅保留90天。本報告未經本公司書面許可，不可部份複製。

This document is issued by the Company subject to its General Conditions of Service printed overleaf, available on request or accessible at <http://www.sgs.com.tw/Terms-and-Conditions> and for electronic format documents, subject to Terms and Conditions for Electronic Documents at <http://www.sgs.com.tw/Terms-and-Conditions>. Attention is drawn to the limitation of liability, indemnification and jurisdiction issues defined therein. Any holder of this document is advised that information contained hereon reflects the Company's findings at the time of its intervention only and within the limits of Client's instructions, if any. The Company's sole responsibility is to its Client and this document does not exonerate parties to a transaction from exercising all their rights and obligations under the transaction documents. This document cannot be reproduced except in full, without prior written approval of the Company. Any unauthorized alteration, forgery or falsification of the content or appearance of this document is unlawful and offenders may be prosecuted to the fullest extent of the law.

6.4 LTE DL CA

LTE Downlink 2CA conducted power table

Two Component Carrier Maximum Conducted Power															
PCC Band	PCC Bandwidth [MHz]	PCC (UL) Channel	PCC					SCC				Power		Configurations	
			PCC (UL) Frequency [MHz]	Modulation	PCC (UL) RB	PCC (UL) RB Offset	PCC (DL) Channel	PCC (DL) Frequency [MHz]	SCC Band	SCC Bandwidth [MHz]	SCC (DL) Channel	SCC (DL) Frequency [MHz]	LTE Tx.Power with DL CA active (dBm)		LTE Tx.Power with DL CA inactive (dBm)
2	10	18650	1855	QPSK	1	0	650	1935	17	10	5790	740	16.37	16.38	CA 2A-17A
4	10	20175	1732.5	QPSK	1	0	2175	2132.5	17	10	5790	740	17.45	17.58	CA 4A-17A
4	20	20175	1732.5	QPSK	1	0	2175	2132.5	48	20	55830	3609	17.33	17.50	CA 4A-48A
5	10	20525	836.5	QPSK	1	0	2525	881.5	7	20	3100	2655	21.48	21.64	CA 5A-7A
7	20	21350	2560	QPSK	1	0	3350	2680	5	10	2525	881.5	16.51	16.66	CA 7A-5A
7	20	21350	2560	QPSK	1	0	3350	2680	7	5	2775	2622.5	16.51	16.66	CA 7A-7A
13	10	23230	782	QPSK	1	0	5230	751	48	20	55830	3609	22.68	22.80	CA 13A-48A
13	10	23230	782	QPSK	1	0	5230	751	66	20	66886	2155	22.74	22.86	CA 13A-66A
14	10	23330	793	QPSK	1	0	5330	763	30	10	9820	2355	22.74	22.87	CA 14A-30A
14	10	23330	793	QPSK	1	0	5330	763	66	20	66886	2155	22.78	22.90	CA 14A-66A
17	10	23780	709	QPSK	1	0	5780	739	2	10	900	1960	22.82	22.89	CA 17A-2A
17	10	23780	709	QPSK	1	0	5780	739	4	10	2175	2132.5	22.91	22.94	CA 17A-4A
25	20	26140	1860	QPSK	1	0	8140	1940	25	5	8665	1992.5	16.37	16.42	CA 25A-25A
25	20	26140	1860	QPSK	1	0	8140	1940	26	15	8865	876.5	16.18	16.31	CA 25A-26A
25	20	26140	1860	QPSK	1	0	8140	1940	41	20	40620	2593	16.31	16.38	CA 25A-41A
26	15	26865	831.5	QPSK	1	0	8865	876.5	25	20	8340	1960	21.72	21.74	CA 26A-25A
26	15	26865	831.5	QPSK	1	0	8865	876.5	41	20	40620	2593	21.68	21.76	CA 26A-41A
30	10	27710	2310	QPSK	1	0	9820	2355	14	10	5330	763	17.38	17.43	CA 30A-14A
30	10	27710	2310	QPSK	1	0	9820	2355	66	20	66886	2155	17.39	17.49	CA 30A-66A
41	20	41055	2636.5	QPSK	1	0	41055	2636.5	25	20	8340	1960	21.18	21.32	CA 41A-25A
41	20	41055	2636.5	QPSK	1	0	41055	2636.5	26	15	8865	876.5	21.22	21.37	CA 41A-26A
41	20	41055	2636.5	QPSK	1	0	41055	2636.5	41	5	39675	2498.5	21.30	21.34	CA 41A-41A
48	20	56150	3641	QPSK	1	0	56150	3641	4	20	2175	2132.5	18.21	18.35	CA 48A-4A
48	20	56150	3641	QPSK	1	0	56150	3641	13	10	5230	751	18.19	18.31	CA 48A-13A
48	20	56150	3641	QPSK	1	0	56150	3641	48	5	55265	3552.5	18.20	18.33	CA 48A-48A
48	20	56150	3641	QPSK	1	0	56150	3641	66	20	66886	2155	18.26	18.33	CA 48A-66A
66	20	132572	1770	QPSK	1	0	67236	2190	12	10	5095	737.5	17.51	17.67	CA 66A-12A
66	20	132572	1770	QPSK	1	0	67236	2190	13	10	5230	751	17.63	17.69	CA 66A-13A
66	20	132572	1770	QPSK	1	0	67236	2190	14	10	5330	763	17.58	17.74	CA 66A-14A
66	20	132572	1770	QPSK	1	0	67236	2190	30	10	9820	2355	17.52	17.68	CA 66A-30A
66	20	132572	1770	QPSK	1	0	67236	2190	48	20	55830	3609	17.61	17.67	CA 66A-48A
66	20	132572	1770	QPSK	1	0	67236	2190	66	5	66461	2112.5	17.60	17.71	CA 66A-66A
66	20	132572	1770	QPSK	1	0	67236	2190	71	20	68761	634.5	17.49	17.60	CA 66A-71A
71	20	133297	680.5	QPSK	1	0	68761	634.5	66	20	66886	2155	22.83	22.93	CA 71A-66A
7	20	21350	2560	QPSK	1	0	3350	2680	7	20	3152	2660.2	16.45	16.54	CA 7C
38	20	37850	2580	QPSK	1	0	37850	2580	38	20	38048	2599.8	19.24	19.29	CA 38C

Unless otherwise stated the results shown in this test report refer only to the sample(s) tested and such sample(s) are retained for 90 days only.

除非另有說明，此報告結果僅對測試之樣品負責，同時此樣品僅保留90天。本報告未經本公司書面許可，不可部份複製。

This document is issued by the Company subject to its General Conditions of Service printed overleaf, available on request or accessible at <http://www.sgs.com.tw/Terms-and-Conditions> and for electronic format documents, subject to Terms and Conditions for Electronic Documents at <http://www.sgs.com.tw/Terms-and-Conditions>. Attention is drawn to the limitation of liability, indemnification and jurisdiction issues defined therein. Any holder of this document is advised that information contained hereon reflects the Company's findings at the time of its intervention only and within the limits of Client's instructions, if any. The Company's sole responsibility is to its Client and this document does not exonerate parties to a transaction from exercising all their rights and obligations under the transaction documents. This document cannot be reproduced except in full, without prior written approval of the Company. Any unauthorized alteration, forgery or falsification of the content or appearance of this document is unlawful and offenders may be prosecuted to the fullest extent of the law.

LTE Downlink 3CA conducted power table

Three Component Carrier Maximum Conducted Power																			
PCC				SCC 1								SCC 2				Power		Configurations	
PCC Band	PCC Bandwidth [MHz]	PCC (UL) Channel	PCC (UL) Frequency [MHz]	Modulation	PCC (UL) RB	PCC (UL) RB Offset	PCC (DL) Channel	PCC (DL) Frequency [MHz]	SCC Band	SCC Bandwidth [MHz]	SCC (DL) Channel	SCC (DL) Frequency [MHz]	SCC Band	SCC Bandwidth [MHz]	SCC (DL) Channel	SCC (DL) Frequency [MHz]	LTE Tx Power with DL CA active (dBm)		LTE Tx Power with DL CA inactive (dBm)
2	20	18700	1860	QPSK	1	0	700	1940	5	10	2525	881.5	2	20	900	1960	16.27	16.34	CA 2A-5A-2A
2	20	18700	1860	QPSK	1	0	700	1940	12	10	5095	737.5	2	20	900	1960	16.39	16.41	CA 2A-12A-2A
2	20	18700	1860	QPSK	1	0	700	1940	13	10	5230	751	2	20	900	1960	16.39	16.44	CA 2A-13A-2A
2	20	18700	1860	QPSK	1	0	700	1940	14	10	5330	763	2	20	900	1960	16.35	16.41	CA 2A-14A-2A
2	20	18700	1860	QPSK	1	0	700	1940	5	10	2525	881.5	4	20	2175	2132.5	16.4	16.42	CA 2A-5A-4A
2	20	18700	1860	QPSK	1	0	700	1940	13	10	5230	751	4	20	2175	2132.5	16.39	16.43	CA 2A-13A-4A
2	20	18700	1860	QPSK	1	0	700	1940	48	20	55830	3609	5	10	2525	881.5	16.24	16.34	CA 2A-48A-5A
2	20	18700	1860	QPSK	1	0	700	1940	2	5	1175	1987.5	4	20	2175	2132.5	16.27	16.36	CA 2A-2A-4A
2	20	18700	1860	QPSK	1	0	700	1940	2	5	1175	1987.5	5	10	2525	881.5	16.29	16.36	CA 2A-2A-5A
2	20	18700	1860	QPSK	1	0	700	1940	2	20	898	1959.8	66	20	68886	2155	16.34	16.39	CA 2C-66A
2	20	18700	1860	QPSK	1	0	700	1940	2	5	1175	1987.5	12	10	5095	737.5	16.26	16.35	CA 2A-2A-12A
2	20	18700	1860	QPSK	1	0	700	1940	2	5	1175	1987.5	13	10	5230	751	16.31	16.37	CA 2A-2A-13A
2	20	18700	1860	QPSK	1	0	700	1940	2	5	1175	1987.5	14	10	5330	763	16.26	16.36	CA 2A-2A-14A
2	20	18700	1860	QPSK	1	0	700	1940	2	5	1175	1987.5	30	10	9820	2355	16.37	16.42	CA 2A-2A-30A
2	20	18700	1860	QPSK	1	0	700	1940	2	5	1175	1987.5	66	20	68886	2155	16.42	16.42	CA 2A-2A-66A
2	20	18700	1860	QPSK	1	0	700	1940	2	5	1175	1987.5	71	20	68761	634.5	16.33	16.41	CA 2A-2A-71A
2	20	18700	1860	QPSK	1	0	700	1940	4	20	2175	2132.5	4	5	1975	2112.5	16.32	16.38	CA 2A-4A-4A
2	20	18700	1860	QPSK	1	0	700	1940	4	20	2175	2132.5	5	10	2525	881.5	16.29	16.37	CA 2A-4A-5A
2	20	18700	1860	QPSK	1	0	700	1940	4	20	2175	2132.5	7	20	3100	2655	16.39	16.43	CA 2A-4A-7A
2	20	18700	1860	QPSK	1	0	700	1940	4	20	2175	2132.5	12	10	5095	737.5	16.4	16.42	CA 2A-4A-12A
2	20	18700	1860	QPSK	1	0	700	1940	4	20	2175	2132.5	13	10	5230	751	16.22	16.31	CA 2A-4A-13A
2	20	18700	1860	QPSK	1	0	700	1940	4	20	2175	2132.5	30	10	9820	2355	16.22	16.29	CA 2A-4A-30A
2	20	18700	1860	QPSK	1	0	700	1940	4	20	2175	2132.5	71	20	68761	634.5	16.38	16.39	CA 2A-4A-71A
2	20	18700	1860	QPSK	1	0	700	1940	5	10	2525	881.5	5	5	2425	871.5	16.29	16.35	CA 2A-5A-5A
2	20	18700	1860	QPSK	1	0	700	1940	5	10	2525	881.5	30	10	9820	2355	16.21	16.28	CA 2A-5A-30A
2	20	18700	1860	QPSK	1	0	700	1940	5	10	2525	881.5	48	20	55830	3609	16.38	16.38	CA 2A-5A-48A
2	20	18700	1860	QPSK	1	0	700	1940	5	20	2525	881.5	66	20	68886	2155	16.38	16.38	CA 2A-5A-66A
2	20	18700	1860	QPSK	1	0	700	1940	12	10	5095	737.5	30	10	9820	2355	16.29	16.39	CA 2A-12A-30A
2	20	18700	1860	QPSK	1	0	700	1940	12	10	5095	737.5	66	20	68886	2155	16.25	16.33	CA 2A-12A-66A
4	20	20175	1732.5	QPSK	1	0	2175	2132.5	2	20	900	1960	2	5	1175	1987.5	17.43	17.48	CA 4A-2A-2A
4	20	20175	1732.5	QPSK	1	0	2175	2132.5	2	20	900	1960	4	20	2050	2120	17.52	17.54	CA 4A-2A-4A
4	20	20175	1732.5	QPSK	1	0	2175	2132.5	2	20	900	1960	5	10	2525	881.5	17.45	17.53	CA 4A-2A-5A
4	20	20175	1732.5	QPSK	1	0	2175	2132.5	5	10	2525	881.5	2	20	900	1960	17.37	17.45	CA 4A-2A-7A
4	20	20175	1732.5	QPSK	1	0	2175	2132.5	2	20	900	1960	7	20	3100	2655	17.41	17.52	CA 4A-2A-12A
4	20	20175	1732.5	QPSK	1	0	2175	2132.5	2	20	900	1960	12	10	5095	737.5	17.48	17.54	CA 4A-2A-12A
4	20	20175	1732.5	QPSK	1	0	2175	2132.5	12	10	5095	737.5	2	20	900	1960	17.47	17.53	CA 4A-12A-2A
4	20	20175	1732.5	QPSK	1	0	2175	2132.5	2	20	900	1960	13	10	5230	751	17.45	17.52	CA 4A-12A-13A
4	20	20175	1732.5	QPSK	1	0	2175	2132.5	13	10	5230	751	2	20	900	1960	17.44	17.48	CA 4A-13A-2A
4	20	20175	1732.5	QPSK	1	0	2175	2132.5	2	20	900	1960	30	10	9820	2355	17.44	17.50	CA 4A-2A-30A
4	20	20175	1732.5	QPSK	1	0	2175	2132.5	2	20	900	1960	71	20	68761	634.5	17.45	17.54	CA 4A-2A-71A
4	20	20175	1732.5	QPSK	1	0	2175	2132.5	48	20	55830	3609	66	20	56028	3628.8	17.49	17.52	CA 4A-48C
5	10	20525	836.5	QPSK	1	0	2525	881.5	2	20	900	1960	2	5	1175	1987.5	21.48	21.54	CA 5A-2A-2A
5	10	20525	836.5	QPSK	1	0	2525	881.5	4	20	2175	2132.5	2	20	900	1960	21.44	21.54	CA 5A-4A-2A
5	10	20525	836.5	QPSK	1	0	2525	881.5	2	20	900	1960	5	10	2450	874	21.52	21.54	CA 5A-2A-5A
5	10	20525	836.5	QPSK	1	0	2525	881.5	2	20	900	1960	30	10	9820	2355	21.51	21.52	CA 5A-2A-30A
5	10	20525	836.5	QPSK	1	0	2525	881.5	2	20	900	1960	48	20	55830	3609	21.45	21.53	CA 5A-2A-48A
5	10	20525	836.5	QPSK	1	0	2525	881.5	48	20	55830	3609	2	20	900	1960	21.46	21.56	CA 5A-48A-2A
5	10	20525	836.5	QPSK	1	0	2525	881.5	66	20	68886	2155	66	20	68886	2155	21.49	21.64	CA 5A-66A
5	10	20525	836.5	QPSK	1	0	2525	881.5	66	20	68886	2155	2	20	900	1960	21.5	21.53	CA 5A-66A-2A
7	20	21350	2560	QPSK	1	0	3350	2690	4	20	2175	2132.5	2	20	900	1960	16.59	16.6	CA 7A-4A-2A
12	10	23130	711	QPSK	1	0	5130	741	2	20	900	1960	2	5	1175	1987.5	22.73	22.82	CA 12A-2A-2A
12	10	23130	711	QPSK	1	0	5130	741	4	20	2175	2132.5	2	20	900	1960	22.8	22.84	CA 12A-4A-2A
12	10	23130	711	QPSK	1	0	5130	741	2	20	900	1960	30	10	9820	2355	22.81	22.82	CA 12A-2A-30A
12	10	23130	711	QPSK	1	0	5130	741	66	20	68886	2155	66	20	67084	2174.8	22.77	22.87	CA 12A-66C
13	10	23230	782	QPSK	1	0	5230	751	2	20	900	1960	2	5	1175	1987.5	22.69	22.75	CA 13A-2A-2A
13	10	23230	782	QPSK	1	0	5230	751	4	20	2175	2132.5	2	20	900	1960	22.69	22.74	CA 13A-4A-2A
13	10	23230	782	QPSK	1	0	5230	751	66	15	68886	2155	66	5	66979	2164.3	22.66	22.73	CA 13A-66B
13	10	23230	782	QPSK	1	0	5230	751	66	20	68886	2155	66	20	67084	2174.8	22.69	22.74	CA 13A-66C
14	10	23330	793	QPSK	1	0	5330	763	2	20	900	1960	2	5	1175	1987.5	22.81	22.86	CA 14A-2A-2A
25	20	26140	1860	QPSK	1	0	8140	1940	41	20	40520	2593	41	20	40818	2612.8	16.28	16.34	CA 25A-41C
26	15	26865	831.5	QPSK	1	0	8865	876.5	41	20	40520	2593	41	20	40818	2612.8	21.59	21.64	CA 26A-41C
30	10	27710	2310	QPSK	1	0	9820	2355	2	20	900	1960	2	5	1175	1987.5	17.29	17.39	CA 30A-2A-2A
30	10	27710	2310	QPSK	1	0	9820	2355	4	20	2175	2132.5	2	20	900	1960	17.26	17.36	CA 30A-4A-2A
30	10	27710	2310	QPSK	1	0	9820	2355	5	10	2525	881.5	2	20	900	1960	17.34	17.36	CA 30A-5A-2A
30	10	27710	2310	QPSK	1	0	9820	2355	12	10	5095	737.5	2	20	900	1960	17.34	17.41	CA 30A-12A-2A
41	20	41055	2636.5	QPSK	1	0	41055	2636.5	41	20	41253	2656.3	25	20	8340	1960	21.22	21.27	CA 41C-25A
41	20	41055	2636.5	QPSK	1	0	41055	2636.5	41	20	41253	2656.3	26	15	8885	876.5	21.18	21.26	CA 41C-26A
66	20	132572	1770	QPSK	1	0	67236	2190	2	20	900	1960							

LTE Downlink 4CA conducted power table

Four Component Carrier Maximum Conducted Power																			Power		Configurations			
PCC Band	PCC Bandwidth [MHz]	PCC (UL) Channel	PCC (UL) Frequency [MHz]	Modulation	PCC (UL) RB	PCC (UL) RB Offset	PCC (DL) Channel	PCC (DL) Frequency [MHz]	SCC 1		SCC 2		SCC 3		LTE Tx Power with DL CA active (dBm)	LTE Tx Power with DL CA inactive (dBm)								
									SCC Band	SCC Bandwidth [MHz]	SCC (DL) Channel	SCC (DL) Frequency [MHz]	SCC Band	SCC Bandwidth [MHz]			SCC (DL) Channel	SCC (DL) Frequency [MHz]	SCC Band	SCC Bandwidth [MHz]	SCC (DL) Channel	SCC (DL) Frequency [MHz]		
2	20	18700	1860	QPSK	1	0	700	1940	2	5	1175	1987.5	5	10	2525	881.5	5	10	2524	891.4	16.41	16.41	CA 2A-2A-5B	
2	20	18700	1860	QPSK	1	0	700	1940	2	5	1175	1987.5	66	15	66886	2155	66	5	69979	2164.3	16.26	16.26	CA 2A-2A-6B	
2	20	18700	1860	QPSK	1	0	700	1940	2	5	1175	1987.5	66	20	66886	2155	66	20	67084	2174.8	16.30	16.37	CA 2A-2A-6C	
2	20	18700	1860	QPSK	1	0	700	1940	4	20	2175	2132.5	5	10	2525	881.5	5	10	2624	891.4	16.34	16.37	CA 2A-4A-5B	
2	20	18700	1860	QPSK	1	0	700	1940	5	10	2525	881.5	5	10	2624	891.4	30	10	9820	2535	16.17	16.25	CA 2A-5B-30A	
2	20	18700	1860	QPSK	1	0	700	1940	5	10	2525	881.5	48	20	56348	3660.8	48	20	56348	3660.8	16.32	16.38	CA 2A-5A-4B	
2	20	18700	1860	QPSK	1	0	700	1940	5	10	2525	881.5	66	15	66886	2155	66	5	69979	2164.3	16.35	16.38	CA 2A-5A-6B	
2	20	18700	1860	QPSK	1	0	700	1940	5	10	2525	881.5	66	20	66886	2155	66	20	67084	2174.8	16.32	16.32	CA 2A-5A-6C	
2	20	18700	1860	QPSK	1	0	700	1940	5	10	2525	881.5	5	10	2624	891.4	66	20	66886	2155	16.35	16.44	CA 2A-5B-6A	
4	20	20175	1732.5	QPSK	1	0	2175	2132.5	2	20	900	1960	5	10	2525	881.5	5	10	2624	891.4	21.42	21.51	CA 5A-6B-2A	
5	10	20525	836.5	QPSK	1	0	2525	881.5	48	20	56150	3641	48	20	56348	3660.8	48	20	56546	3680.6	21.40	21.48	CA 5A-4B	
5	10	20525	836.5	QPSK	1	0	2525	881.5	5	10	2624	891.4	2	20	900	1960	2	5	1175	1987.5	21.48	21.49	CA 5B-2A-2A	
5	10	20525	836.5	QPSK	1	0	2525	881.5	5	10	2624	891.4	4	20	2175	2132.5	2	20	900	1960	21.42	21.51	CA 5A-6B-2A	
5	10	20525	836.5	QPSK	1	0	2525	881.5	2	20	900	1960	48	20	56348	3660.8	48	20	56348	3660.8	21.35	21.45	CA 5A-2A-6C	
5	10	20525	836.5	QPSK	1	0	2525	881.5	2	20	900	1960	66	15	66886	2155	66	5	69979	2164.3	21.41	21.50	CA 5A-2A-6B	
5	10	20525	836.5	QPSK	1	0	2525	881.5	66	15	66886	2155	66	20	66886	2155	66	20	67084	2174.8	21.42	21.48	CA 5A-6B-2A	
5	10	20525	836.5	QPSK	1	0	2525	881.5	2	20	900	1960	66	20	66886	2155	66	20	67084	2174.8	21.54	21.54	CA 5A-2A-6C	
5	10	20525	836.5	QPSK	1	0	2525	881.5	66	20	66886	2155	66	20	900	1960	21.49	21.49	CA 5A-6C-2A					
5	10	20525	836.5	QPSK	1	0	2525	881.5	5	10	2624	891.4	2	20	900	1960	66	20	66886	2155	21.39	21.47	CA 5B-2A-6A	
5	10	20525	836.5	QPSK	1	0	2525	881.5	5	10	2624	891.4	66	20	66886	2155	2	20	900	1960	21.41	21.46	CA 5B-6A-2A	
13	10	23230	782	QPSK	1	0	5230	751	48	20	56150	3641	48	20	56348	3660.8	48	20	56546	3680.6	22.71	22.75	CA 13A-4B	
25	20	26140	1860	QPSK	1	0	8140	1940	41	20	40620	2292	41	20	41016	2632.6	41	20	41016	2632.6	16.19	16.20	CA 25A-1D	
30	10	27170	2310	QPSK	1	0	3620	2325	5	10	2525	881.5	5	10	2624	891.4	2	20	900	1960	17.23	17.31	CA 30A-5B-2A	
66	15	132322	1745	QPSK	1	0	66786	2145	66	5	66879	2154.3	2	20	900	1960	2	5	1175	1987.5	17.57	17.57	CA 66B-2A-2A	
66	20	132572	1770	QPSK	1	0	67236	2190	66	20	67434	2209.8	2	20	900	1960	2	5	1175	1987.5	17.47	17.54	CA 66C-2A-2A	
66	15	132322	1745	QPSK	1	0	66786	2145	66	5	66879	2154.3	5	10	2525	881.5	2	20	900	1960	17.46	17.55	CA 66B-5A-2A	
66	20	132572	1770	QPSK	1	0	67236	2190	66	5	10	2525	881.5	5	10	2624	891.4	2	20	900	1960	17.61	17.61	CA 66C-5A-2A
66	20	132572	1770	QPSK	1	0	67236	2190	5	10	2525	881.5	5	10	2624	891.4	2	20	900	1960	17.51	17.60	CA 66A-5B-2A	
66	15	132322	1745	QPSK	1	0	66786	2145	66	5	66879	2154.3	48	20	56348	3660.8	48	20	56348	3660.8	17.56	17.61	CA 66B-4B-2A	
66	20	132572	1770	QPSK	1	0	67236	2190	66	20	67434	2209.8	48	20	56348	3660.8	48	20	56348	3660.8	17.52	17.62	CA 66C-4B-2A	
66	20	132572	1770	QPSK	1	0	67236	2190	48	20	56150	3641	48	20	56348	3660.8	48	20	56546	3680.6	17.82	17.83	CA 66A-4B-2A	
41	20	41055	2636.5	QPSK	1	0	41055	2636.5	41	20	41253	2656.3	41	20	41451	2676.1	25	20	8340	1960	21.13	21.2	CA 41D-25A	
48	20	56150	3641	QPSK	1	0	56150	3641	48	20	56348	3660.8	66	15	66879	2154.3	66	15	66879	2154.3	18.15	18.24	CA 48C-6B-2A	
48	20	56150	3641	QPSK	1	0	56150	3641	48	20	56348	3660.8	48	20	56546	3680.6	48	20	56546	3680.6	18.12	18.20	CA 48D-6B-2A	
48	20	56150	3641	QPSK	1	0	56150	3641	48	20	56348	3660.8	48	20	56546	3680.6	48	20	56546	3680.6	18.06	18.11	CA 48E-6B-2A	
48	20	56150	3641	QPSK	1	0	56150	3641	48	20	56348	3660.8	48	20	56546	3680.6	48	20	56546	3680.6	18.12	18.22	CA 48C-6B-6B	
48	20	56150	3641	QPSK	1	0	56150	3641	48	20	56348	3660.8	5	10	2525	881.5	2	20	900	1960	18.16	18.25	CA 48C-5A-2A	
48	20	56150	3641	QPSK	1	0	56150	3641	48	20	56348	3660.8	48	20	56546	3680.6	4	20	2175	2132.5	18.19	18.22	CA 48D-4A	
48	20	56150	3641	QPSK	1	0	56150	3641	48	20	56348	3660.8	48	20	56546	3680.6	13	10	5230	751	18.02	18.11	CA 48E-13A	
48	20	56150	3641	QPSK	1	0	56150	3641	48	20	56348	3660.8	48	20	56546	3680.6	13	10	5230	751	18.23	18.25	CA 48D-13A	

LTE Downlink 5CA conducted power table

Five Component Carrier Maximum Conducted Power																				Power		Configurations	
PCC Band	PCC Bandwidth [MHz]	PCC (UL) Channel	PCC (UL) Frequency [MHz]	Modulation	PCC (UL) RB	PCC (UL) RB Offset	PCC (DL) Channel	PCC (DL) Frequency [MHz]	SCC 1		SCC 2		SCC 3		SCC 4		LTE Tx Power with DL CA active (dBm)	LTE Tx Power with DL CA inactive (dBm)					
									SCC Band	SCC Bandwidth [MHz]	SCC (DL) Channel	SCC (DL) Frequency [MHz]	SCC Band	SCC Bandwidth [MHz]	SCC (DL) Channel	SCC (DL) Frequency [MHz]			SCC Band	SCC Bandwidth [MHz]	SCC (DL) Channel	SCC (DL) Frequency [MHz]	SCC Band
2	20	18700	1860	QPSK	1	0	700	1940	5	10	2525	881.5	48	20	56320	3628.8	48	20	56226	3648.6	16.27	16.28	CA 2A-5A-4B
2	20	18700	1860	QPSK	1	0	700	1940	5	10	2525	881.5	5	10	2624	891.4	66	15	66886	2155	16.35	16.35	CA 2A-5B-6B
2	20	18700	1860	QPSK	1	0	700	1940	48	20	56320	3628.8	48	20	56320	3628.8	48	20	56226	3648.6	16.37	16.39	CA 2A-5B-6C
2	20	18700	1860	QPSK	1	0	700	1940	48	20	56320	3628.8	48	20	56320	3628.8	48	20	56226	3648.6	16.35	16.35	CA 2A-5E
4	20	20175	1732.5	QPSK	1	0	2175	2132.5	48	20	56320	3628.8	48	20	56320	3628.8	48	20	56226	3648.6	17.35	17.42	CA 4A-4E
5	10	20525	836.5	QPSK	1	0	2525	881.5	48	20	56320	3628.8	48	20	56320	3628.8	48	20	56226	3648.6	17.42	17.48	CA 5A-2A-6B
5	10	20525	836.5	QPSK	1	0	2525	881.5	5	10	2624	891.4	2	20	900	1960	66	15	66886	2155	21.37	21.44	CA 5B-2A-6B
5	10	20525	836.5	QPSK	1	0	2525	881.5	5	10	2624	891.4	66	20	66886	2155	66	20	67084	2174.8	21.41	21.41	CA 5B-6B-2A
5	10	20525	836.5	QPSK	1	0	2525	881.5	5	10	2624	891.4	66	20	66886	2155	66	20	67084	2174.8	21.41	21.41	CA 5B-2A-6C
13	10	23230	782	QPSK	1	0	5230	751	48	20	56320	3628.8	48	20	56320	3628.8	48	20	56226	3648.6	22.52	22.62	CA 13A-4B
66	15	132322	1745	QPSK	1	0	66786	2145	66	5	66879	2154.3	5	10	2525	881.5	5	10	2624	891.4	17.39	17.47	CA 66B-5B-2A
66	20	132572	1770	QPSK	1	0	67236	2190	66	20	67434	2209.8	48	20	56348	3660.8	48	20	56348	3660.8	17.52	17.63	CA 66C-5B-2A
48	20	56150	3641	QPSK	1	0	56150	3641	48	20	56348	3660.8	66	15	66879	2154.3	66	15	66879	2154.3	18.15	18.24	CA 48C

LTE DL CA information

A)

The device supports downlink LTE Carrier Aggregation (CA). Other Release 10 features or higher features are not supported, including Enhanced SC-FDMA, Uplink MIMO or other antenna diversity configurations etc. All uplink communications are identical to the Release 8 Specifications.

The possible downlink LTE CA combinations supported by this device are as below tables per 3GPP TS 36.521-1. The conducted power measurement results of downlink LTE CA are provided as above per 3GPP TS 36.521-1. According to KDB 941225 D05A and RF exposure procedures in TCB workshop April 2018, the downlink LTE CA SAR test is not required.

B)

DL CA combination table

Index	2CC	Restriction	Completely Covered by Measurement Subset	Index	3CC	Restriction	Completely Covered by Measurement Subset	Index	4CC	Restriction	Completely Covered by Measurement Subset	Index	5CC	Restriction	Completely Covered by Measurement Subset
SCC #1	CA 2A-2A		No	SCC #1	CA 2A-5B		No	4CC #2	CA 2A-4B0		No	SCC #1	CA 2A-5A-4B0		No
SCC #2	CA 2A-4A		No	SCC #2	CA 2A-5A-2A		No	4CC #2	CA 2A-2A-5B		No	SCC #2	CA 2A-5B-6B0		No
SCC #3	CA 2A-5A		No	SCC #3	CA 2A-12A-2A		No	4CC #3	CA 2A-2A-6B0		No	SCC #3	CA 2A-5B-6B0		No
SCC #4	CA 2A-7A		No	SCC #4	CA 2A-13A-2A		No	4CC #4	CA 2A-2A-6B0		No	SCC #4	CA 2A-5B-6B0		No
SCC #5	CA 2A-12A		No	SCC #5	CA 2A-14A-2A		No	4CC #5	CA 2A-4A-5B		No	SCC #5	CA 4A-4B0		No
SCC #6	CA 2A-13A		No	SCC #6	CA 2A-5A-5A		No	4CC #6	CA 2A-5B-30A		No	SCC #6	CA 5A-2A-4B0		No
SCC #7	CA 2A-14A		No	SCC #7	CA 2A-13A-4A		No	4CC #7	CA 2A-5A-4B0		No	SCC #7	CA 5A-4B0		No
SCC #8	CA 2A-17A		No	SCC #8	CA 2A-4B-5A		No	4CC #8	CA 2A-5A-6B0		No	SCC #8	CA 5B-2A-6B0		No
SCC #9	CA 2A-20A		No	SCC #9	CA 2A-5A-6A		No	4CC #9	CA 2A-5A-6B0		No	SCC #9	CA 5B-6B0-2A		No
SCC #10	CA 2A-4B		No	SCC #10	CA 2A-5A-5A		No	4CC #10	CA 2A-5B-6B0		No	SCC #10	CA 5B-2A-6B0		No
SCC #11	CA 2A-6B		No	SCC #11	CA 2A-4B-5C		No	4CC #11	CA 4A-2A-5B		No	SCC #11	CA 5B-4B0-2A		No
SCC #12	CA 2A-71A		No	SCC #12	CA 2A-6B0		No	4CC #12	CA 4A-6B0		No	SCC #12	CA 5B-4B0		No
SCC #13	CA 4A-2A		No	SCC #13	CA 2A-6B0		No	4CC #13	CA 5A-4B0		No	SCC #13	CA 6B0-5B-2A		No
SCC #14	CA 4A-4A		No	SCC #14	CA 2A-6B0		No	4CC #14	CA 6B-2A-2A		No	SCC #14	CA 6B0-5B-2A		No
SCC #15	CA 4A-5A		No	SCC #15	CA 2A-7A-13A		No	4CC #15	CA 6B-4A-2A		No	SCC #15	CA 6B0-5B-2A		No
SCC #16	CA 4A-7A		No	SCC #16	CA 2A-2A-13A		No	4CC #16	CA 6B-2A-30A		No	SCC #16	CA 4B0-6B0		No
SCC #17	CA 4A-12A		No	SCC #17	CA 2A-2A-14A		No	4CC #17	CA 6A-2A-4B0		No	SCC #17	CA 4B0-5A		No
SCC #18	CA 4A-13A		No	SCC #18	CA 2A-2A-30A		No	4CC #18	CA 6A-2A-6B0		No	SCC #18	CA 4B0-4A		No
SCC #19	CA 4A-17A		No	SCC #19	CA 2A-2A-6B		No	4CC #19	CA 6A-6B-2A		No	SCC #19	CA 4B0-5A		No
SCC #20	CA 4A-30A		No	SCC #20	CA 2A-2A-71A		No	4CC #20	CA 6A-2A-6B0		No	SCC #20	CA 4B0-13A		No
SCC #21	CA 4A-4B		No	SCC #21	CA 2A-4A-4A		No	4CC #21	CA 5A-6C-2A		No	SCC #21	CA 4B0-6B0		No
SCC #22	CA 4A-71A		No	SCC #22	CA 2A-4A-5A		No	4CC #22	CA 5B-2A-6B0		No				
SCC #23	CA 5A-2A		No	SCC #23	CA 2A-4A-7A		No	4CC #23	CA 5B-6B0-2A		No				
SCC #24	CA 5A-4A		No	SCC #24	CA 2A-4A-12A		No	4CC #24	CA 5B-6B0		No				
SCC #25	CA 5A-5A		No	SCC #25	CA 2A-4A-13A		No	4CC #25	CA 5B-6B0		No				
SCC #26	CA 5A-7A		No	SCC #26	CA 2A-4A-30A		No	4CC #26	CA 5B-6B0		No				
SCC #27	CA 5A-30A		No	SCC #27	CA 2A-4A-71A		No	4CC #27	CA 2A-6B0		No				
SCC #28	CA 5A-4B		No	SCC #28	CA 2A-5A-5A		No	4CC #28	CA 2A-6B0		No				
SCC #29	CA 5A-6B		No	SCC #29	CA 2A-5A-30A		No	4CC #29	CA 6B0-2A-2A		No				
SCC #30	CA 7A-2A		No	SCC #30	CA 2A-5A-6B		No	4CC #30	CA 6B0-2A-2A		No				
SCC #31	CA 7A-4A		No	SCC #31	CA 2A-5A-6B		No	4CC #31	CA 6B0-2A-2A		No				
SCC #32	CA 7A-5A		No	SCC #32	CA 2A-12A-30A		No	4CC #32	CA 6B0-2A-2A		No				
SCC #33	CA 7A-7A		No	SCC #33	CA 2A-12A-30A		No	4CC #33	CA 6B0-2A-2A		No				
SCC #34	CA 12A-2A		No	SCC #34	CA 4A-2A-2A		No	4CC #34	CA 6B0-5B-2A		No				
SCC #35	CA 12A-4A		No	SCC #35	CA 4A-2A-4A		No	4CC #35	CA 6B0-5B-2A		No				
SCC #36	CA 12A-5A		No	SCC #36	CA 4A-2A-4A		No	4CC #36	CA 6B0-5B-2A		No				
SCC #37	CA 12A-6B		No	SCC #37	CA 4A-2A-4A		No	4CC #37	CA 6B0-5B-2A		No				
SCC #38	CA 13A-4A		No	SCC #38	CA 4A-2A-7A		No	4CC #38	CA 6B0-5B-2A		No				
SCC #39	CA 13A-4B		No	SCC #39	CA 4A-2A-7A		No	4CC #39	CA 6B0-5B-2A		No				
SCC #40	CA 13A-4B		No	SCC #40	CA 4A-12A-2A		No	4CC #40	CA 6B0-5B-2A		No				
SCC #41	CA 13A-6B		No	SCC #41	CA 4A-12A-2A		No	4CC #41	CA 6B0-5B-2A		No				
SCC #42	CA 14A-2A		No	SCC #42	CA 4A-13A-2A		No	4CC #42	CA 6B0-5B-2A		No				
SCC #43	CA 14A-30A		No	SCC #43	CA 4A-13A-2A		No	4CC #43	CA 6B0-5B-2A		No				
SCC #44	CA 14A-6B		No	SCC #44	CA 4A-2A-71A		No	4CC #44	CA 6B0-5B-2A		No				
SCC #45	CA 17A-2A		No	SCC #45	CA 4A-5B		No	4CC #45	CA 6B0-5B-2A		No				
SCC #46	CA 17A-4A		No	SCC #46	CA 4A-4B0		No	4CC #46	CA 6B0-5B-2A		No				
SCC #47	CA 2A-2A-2A		No	SCC #47	CA 4A-5B-2A		No	4CC #47	CA 6B0-5B-2A		No				
SCC #48	CA 2A-2A-2B		No	SCC #48	CA 5A-2A-2A		No	4CC #48	CA 6B0-5B-2A		No				
SCC #49	CA 2A-41B		No	SCC #49	CA 5A-2A-2A		No	4CC #49	CA 6B0-5B-2A		No				
SCC #50	CA 2A-2A-2A		No	SCC #50	CA 5A-2A-2A		No	4CC #50	CA 6B0-5B-2A		No				
SCC #51	CA 2A-41A		No	SCC #51	CA 5A-2A-30A		No	4CC #51	CA 6B0-5B-2A		No				
SCC #52	CA 30A-2A		No	SCC #52	CA 5A-2A-4B		No	4CC #52	CA 6B0-5B-2A		No				
SCC #53	CA 30A-4A		No	SCC #53	CA 5A-4B-2A		No	4CC #53	CA 6B0-5B-2A		No				
SCC #54	CA 30A-5A		No	SCC #54	CA 5A-4B-2A		No	4CC #54	CA 6B0-5B-2A		No				
SCC #55	CA 30A-12A		No	SCC #55	CA 5A-6B-2A		No	4CC #55	CA 6B0-5B-2A		No				
SCC #56	CA 30A-14A		No	SCC #56	CA 5A-4A		No	4CC #56	CA 6B0-5B-2A		No				
SCC #57	CA 30A-6B		No	SCC #57	CA 5A-4A		No	4CC #57	CA 6B0-5B-2A		No				
SCC #58	CA 41A-2A		No	SCC #58	CA 5A-4A		No	4CC #58	CA 6B0-5B-2A		No				
SCC #59	CA 41A-2A		No	SCC #59	CA 5A-6B0		No	4CC #59	CA 6B0-5B-2A		No				
SCC #60	CA 41A-41B		No	SCC #60	CA 5A-6B0		No	4CC #60	CA 6B0-5B-2A		No				
SCC #61	CA 4B-2A		No	SCC #61	CA 5B-6B0		No	4CC #61	CA 6B0-5B-2A		No				
SCC #62	CA 4B-4A		No	SCC #62	CA 7A-4A-2A		No	4CC #62	CA 6B0-5B-2A		No				
SCC #63	CA 4B-4A		No	SCC #63	CA 12A-2A-2A		No	4CC #63	CA 6B0-5B-2A		No				
SCC #64	CA 4B-13A		No	SCC #64	CA 12A-4A-2A		No	4CC #64	CA 6B0-5B-2A		No				
SCC #65	CA 4B-4B		No	SCC #65	CA 12A-2A-2A		No	4CC #65	CA 6B0-5B-2A		No				
SCC #66	CA 4B-6B		No	SCC #66	CA 12A-6B-2A		No	4CC #66	CA 6B0-5B-2A		No				
SCC #67	CA 6B-2A		No	SCC #67	CA 13A-2A-2A		No	4CC #67	CA 6B0-5B-2A		No				
SCC #68	CA 6B-5A		No	SCC #68	CA 13A-4A-2A		No	4CC #68	CA 6B0-5B-2A		No				
SCC #69	CA 6B-12A		No	SCC #69	CA 13A-4B0		No	4CC #69	CA 6B0-5B-2A		No				
SCC #70	CA 6B-13A		No	SCC #70	CA 13A-6B0		No	4CC #70	CA 6B0-5B-2A		No				
SCC #71	CA 6B-13A		No	SCC #71	CA 13A-6B0		No	4CC #71	CA 6B0-5B-2A		No				
SCC #72	CA 6B-30A		No	SCC #72	CA 14A-2A-2A		No	4CC #72	CA 6B0-5B-2A		No				
SCC #73	CA 6B-4B		No	SCC #73	CA 2A-41C		No	4CC #73	CA 6B0-5B-2A		No				
SCC #74	CA 6B-6B		No	SCC #74	CA 2A-41C		No	4CC #74	CA 6B0-5B-2A		No				
SCC #75	CA 6B-71A		No	SCC #75	CA 30A-2A-2A		No	4CC #75	CA 6B0-5B-2A		No				
SCC #76	CA 71A-2A		No	SCC #76	CA 30A-4A-2A		No	4CC #76	CA 6B0-5B-2A		No				
SCC #77	CA 71A-4A		No	SCC #77	CA 30A-5A-2A		No	4CC #77	CA 6B0-5B-2A		No				
SCC #78	CA 71A-6B		No	SCC #78	CA 30A-12A-2A		No	4CC #78	CA 6B0-5B-2A		No				
SCC #79	CA 3C		No	SCC #79	CA 30A-6B		No	4CC #79	CA 6B0-5B-2A		No				
SCC #80	CA 5B		No	SCC #80	CA 41C-2A		No	4CC #80	CA 6B0-5B-2A		No				
SCC #81	CA 3C		No	SCC #81	CA 41C-2A		No	4CC #81	CA 6B0-5B-2A		No				
SCC #82															

6.5 LTE Intra-Band UL CA

CA_5B														
Combination 50RB + 50RB (10MHz + 10MHz)														
PCC						SCC						MPR (dB)	UL CA power	
Bandwidth [MHz]	Modulation	Frequency [MHz]	Channel	RB size	RB Offset	Bandwidth [MHz]	Modulation	Frequency [MHz]	Channel	RB size	RB Offset		Measured (dBm)	Tune-up limit (dBm)
10	QPSK	829	20450	1	49	10	QPSK	838.9	20549	1	0	0	21.26	22.00
10	QPSK	831.6	20476	1	49	10	QPSK	841.5	20575	1	0	0	21.24	22.00
10	QPSK	834.1	20501	1	49	10	QPSK	844	20600	1	0	0	21.77	22.00

CA_5B														
Combination 50RB + 25RB (10MHz + 5MHz)														
PCC						SCC						MPR (dB)	UL CA power	
Bandwidth [MHz]	Modulation	Frequency [MHz]	Channel	RB size	RB Offset	Bandwidth [MHz]	Modulation	Frequency [MHz]	Channel	RB size	RB Offset		Measured (dBm)	Tune-up limit (dBm)
10	QPSK	829	20450	1	49	5	QPSK	836.2	20522	1	0	0	20.78	22.00
10	QPSK	834	20500	1	49	5	QPSK	841.2	20572	1	0	0	20.62	22.00
10	QPSK	839	20550	1	49	5	QPSK	846.2	20622	1	0	0	20.74	22.00

CA_7C														
Combination 100RB + 100RB (20MHz + 20MHz)														
PCC						SCC						MPR (dB)	UL CA power	
Bandwidth [MHz]	Modulation	Frequency [MHz]	Channel	RB size	RB Offset	Bandwidth [MHz]	Modulation	Frequency [MHz]	Channel	RB size	RB Offset		Measured (dBm)	Tune-up limit (dBm)
20	QPSK	2510	20850	1	99	20	QPSK	2529.8	21048	1	0	0	15.93	17.50
20	QPSK	2525.1	21001	1	99	20	QPSK	2544.9	21199	1	0	0	16.16	17.50
20	QPSK	2540.2	21152	1	99	20	QPSK	2560	21350	1	0	0	16.00	17.50

CA_7C														
Combination 75RB + 100RB (15MHz + 20MHz)														
PCC						SCC						MPR (dB)	UL CA power	
Bandwidth [MHz]	Modulation	Frequency [MHz]	Channel	RB size	RB Offset	Bandwidth [MHz]	Modulation	Frequency [MHz]	Channel	RB size	RB Offset		Measured (dBm)	Tune-up limit (dBm)
15	QPSK	2507.8	20828	1	74	20	QPSK	2524.9	20999	1	0	0	16.15	17.50
15	QPSK	2525.3	21003	1	74	20	QPSK	2542.4	21174	1	0	0	16.22	17.50
15	QPSK	2560	21350	1	74	20	QPSK	2577.1	21521	1	0	0	16.12	17.50

CA_7C														
Combination 75RB + 75RB (15MHz + 15MHz)														
PCC						SCC						MPR (dB)	UL CA power	
Bandwidth [MHz]	Modulation	Frequency [MHz]	Channel	RB size	RB Offset	Bandwidth [MHz]	Modulation	Frequency [MHz]	Channel	RB size	RB Offset		Measured (dBm)	Tune-up limit (dBm)
15	QPSK	2507.5	20825	1	74	15	QPSK	2522.5	20975	1	0	0	16.25	17.50
15	QPSK	2527.5	21025	1	74	15	QPSK	2542.5	21175	1	0	0	16.42	17.50
15	QPSK	2547.5	21225	1	74	15	QPSK	2562.5	21375	1	0	0	16.24	17.50

CA_7C														
Combination 75RB + 50RB (15MHz + 10MHz)														
PCC						SCC						MPR (dB)	UL CA power	
Bandwidth [MHz]	Modulation	Frequency [MHz]	Channel	RB size	RB Offset	Bandwidth [MHz]	Modulation	Frequency [MHz]	Channel	RB size	RB Offset		Measured (dBm)	Tune-up limit (dBm)
15	QPSK	2507.5	20825	1	74	10	QPSK	2519.5	20945	1	0	0	16.17	17.50
15	QPSK	2530.1	21051	1	74	10	QPSK	2542.1	21171	1	0	0	16.23	17.50
15	QPSK	2552.7	21277	1	74	10	QPSK	2564.7	21397	1	0	0	16.15	17.50

CA_7C														
Combination 50RB + 100RB (10MHz + 20MHz)														
PCC						SCC						MPR (dB)	UL CA power	
Bandwidth [MHz]	Modulation	Frequency [MHz]	Channel	RB size	RB Offset	Bandwidth [MHz]	Modulation	Frequency [MHz]	Channel	RB size	RB Offset		Measured (dBm)	Tune-up limit (dBm)
10	QPSK	2505.5	20805	1	49	20	QPSK	2519.9	20949	1	0	0	16.23	17.50
10	QPSK	2525.6	21006	1	49	20	QPSK	2540	21150	1	0	0	16.17	17.50
10	QPSK	2545.6	21206	1	49	20	QPSK	2560	21350	1	0	0	16.25	17.50

Unless otherwise stated the results shown in this test report refer only to the sample(s) tested and such sample(s) are retained for 90 days only.

除非另有說明，此報告結果僅對測試之樣品負責，同時此樣品僅保留90天。本報告未經本公司書面許可，不可部份複製。

This document is issued by the Company subject to its General Conditions of Service printed overleaf, available on request or accessible at <http://www.sgs.com.tw/Terms-and-Conditions> and for electronic format documents, subject to Terms and Conditions for Electronic Documents at <http://www.sgs.com.tw/Terms-and-Conditions>. Attention is drawn to the limitation of liability, indemnification and jurisdiction issues defined therein. Any holder of this document is advised that information contained hereon reflects the Company's findings at the time of its intervention only and within the limits of Client's instructions, if any. The Company's sole responsibility is to its Client and this document does not exonerate parties to a transaction from exercising all their rights and obligations under the transaction documents. This document cannot be reproduced except in full, without prior written approval of the Company. Any unauthorized alteration, forgery or falsification of the content or appearance of this document is unlawful and offenders may be prosecuted to the fullest extent of the law.

CA_38C														
Combination 100RB + 100RB (20MHz + 20MHz)														
PCC						SCC						UL CA power		
Bandwidth [MHz]	Modulation	Frequency [MHz]	Channel	RB size	RB Offset	Bandwidth [MHz]	Modulation	Frequency [MHz]	Channel	RB size	RB Offset	MPR (dB)	Measured (dBm)	Tune-up limit (dBm)
20	QPSK	2580	37850	1	99	20	QPSK	2599.8	38048	1	0	0	18.58	19.50
20	QPSK	2585.1	37901	1	99	20	QPSK	2604.9	38099	1	0	0	18.63	19.50
20	QPSK	2590.2	37952	1	99	20	QPSK	2610	38150	1	0	0	18.52	19.50

CA_38C														
Combination 75RB + 75RB (15MHz + 15MHz)														
PCC						SCC						UL CA power		
Bandwidth [MHz]	Modulation	Frequency [MHz]	Channel	RB size	RB Offset	Bandwidth [MHz]	Modulation	Frequency [MHz]	Channel	RB size	RB Offset	MPR (dB)	Measured (dBm)	Tune-up limit (dBm)
15	QPSK	2577.5	37825	1	74	15	QPSK	2592.5	37975	1	0	0	18.64	19.50
15	QPSK	2587.5	37925	1	74	15	QPSK	2602.5	38075	1	0	0	18.55	19.50
15	QPSK	2597.5	38025	1	74	15	QPSK	2612.5	38175	1	0	0	18.61	19.50

CA_41C														
Combination 100RB + 100RB (20MHz + 20MHz)														
PCC						SCC						UL CA power		
Bandwidth [MHz]	Modulation	Frequency [MHz]	Channel	RB size	RB Offset	Bandwidth [MHz]	Modulation	Frequency [MHz]	Channel	RB size	RB Offset	MPR (dB)	Measured (dBm)	Tune-up limit (dBm)
20	QPSK	2506	39750	1	99	20	QPSK	2525.8	39948	1	0	0	20.86	21.50
20	QPSK	2583.1	40521	1	99	20	QPSK	2602.9	40719	1	0	0	20.81	21.50
20	QPSK	2660.2	41292	1	99	20	QPSK	2680	41490	1	0	0	20.83	21.50

CA_41C														
Combination 75RB + 100RB (15MHz + 20MHz)														
PCC						SCC						UL CA power		
Bandwidth [MHz]	Modulation	Frequency [MHz]	Channel	RB size	RB Offset	Bandwidth [MHz]	Modulation	Frequency [MHz]	Channel	RB size	RB Offset	MPR (dB)	Measured (dBm)	Tune-up limit (dBm)
15	QPSK	2503.8	39728	1	74	20	QPSK	2520.9	39899	1	0	0	20.84	21.50
15	QPSK	2583.3	40523	1	74	20	QPSK	2600.4	40694	1	0	0	20.82	21.50
15	QPSK	2662.9	41319	1	74	20	QPSK	2680	41490	1	0	0	20.78	21.50

CA_41C														
Combination 75RB + 75RB (15MHz + 15MHz)														
PCC						SCC						UL CA power		
Bandwidth [MHz]	Modulation	Frequency [MHz]	Channel	RB size	RB Offset	Bandwidth [MHz]	Modulation	Frequency [MHz]	Channel	RB size	RB Offset	MPR (dB)	Measured (dBm)	Tune-up limit (dBm)
15	QPSK	2503.5	39725	1	74	15	QPSK	2518.5	39875	1	0	0	20.83	21.50
15	QPSK	2585.5	40545	1	74	15	QPSK	2600.5	40695	1	0	0	20.82	21.50
15	QPSK	2667.5	41365	1	74	15	QPSK	2682.5	41515	1	0	0	20.81	21.50

CA_41C														
Combination 50RB + 100RB (10MHz + 20MHz)														
PCC						SCC						UL CA power		
Bandwidth [MHz]	Modulation	Frequency [MHz]	Channel	RB size	RB Offset	Bandwidth [MHz]	Modulation	Frequency [MHz]	Channel	RB size	RB Offset	MPR (dB)	Measured (dBm)	Tune-up limit (dBm)
10	QPSK	2501.5	39705	1	49	20	QPSK	2515.9	39849	1	0	0	20.76	21.50
10	QPSK	2583.6	40526	1	49	20	QPSK	2598	40670	1	0	0	20.83	21.50
10	QPSK	2665.6	41346	1	49	20	QPSK	2680	41490	1	0	0	20.85	21.50

CA_41C														
Combination 50RB + 75RB (10MHz + 15MHz)														
PCC						SCC						UL CA power		
Bandwidth [MHz]	Modulation	Frequency [MHz]	Channel	RB size	RB Offset	Bandwidth [MHz]	Modulation	Frequency [MHz]	Channel	RB size	RB Offset	MPR (dB)	Measured (dBm)	Tune-up limit (dBm)
10	QPSK	2501.3	39703	1	49	15	QPSK	2513.3	39823	1	0	0	20.85	21.50
10	QPSK	2585.9	40549	1	49	15	QPSK	2597.9	40669	1	0	0	20.78	21.50
10	QPSK	2670.5	41395	1	49	15	QPSK	2682.5	41515	1	0	0	20.81	21.50

CA_41C														
Combination 25RB + 100RB (5MHz + 20MHz)														
PCC						SCC						UL CA power		
Bandwidth [MHz]	Modulation	Frequency [MHz]	Channel	RB size	RB Offset	Bandwidth [MHz]	Modulation	Frequency [MHz]	Channel	RB size	RB Offset	MPR (dB)	Measured (dBm)	Tune-up limit (dBm)
5	QPSK	2499.3	39683	1	24	20	QPSK	2511	39800	1	0	0	20.82	21.50
5	QPSK	2583.8	40528	1	24	20	QPSK	2595.5	40645	1	0	0	20.78	21.50
5	QPSK	2668.3	41373	1	24	20	QPSK	2680	41490	1	0	0	20.80	21.50

Unless otherwise stated the results shown in this test report refer only to the sample(s) tested and such sample(s) are retained for 90 days only.

除非另有說明，此報告結果僅對測試之樣品負責，同時此樣品僅保留90天。本報告未經本公司書面許可，不可部份複製。

This document is issued by the Company subject to its General Conditions of Service printed overleaf, available on request or accessible at <http://www.sgs.com.tw/Terms-and-Conditions> and for electronic format documents, subject to Terms and Conditions for Electronic Documents at <http://www.sgs.com.tw/Terms-and-Conditions>. Attention is drawn to the limitation of liability, indemnification and jurisdiction issues defined therein. Any holder of this document is advised that information contained hereon reflects the Company's findings at the time of its intervention only and within the limits of Client's instructions, if any. The Company's sole responsibility is to its Client and this document does not exonerate parties to a transaction from exercising all their rights and obligations under the transaction documents. This document cannot be reproduced except in full, without prior written approval of the Company. Any unauthorized alteration, forgery or falsification of the content or appearance of this document is unlawful and offenders may be prosecuted to the fullest extent of the law.

CA_48C													UL CA power		
Combination 100RB + 100RB (20MHz + 20MHz)													MPR (dB)	Measured (dBm)	Tune-up limit (dBm)
PCC					SCC										
Bandwidth [MHz]	Modulation	Frequency [MHz]	Channel	RB size	RB Offset	Bandwidth [MHz]	Modulation	Frequency [MHz]	Channel	RB size	RB Offset				
20	QPSK	3560	55340	1	99	20	QPSK	3579.8	55538	1	0	0	18.34	19.50	
20	QPSK	3615.1	55891	1	99	20	QPSK	3634.9	56089	1	0	0	18.39	19.50	
20	QPSK	3670.2	56442	1	99	20	QPSK	3690	56640	1	0	0	18.29	19.50	

CA_48C													UL CA power		
Combination 75RB + 100RB (15MHz + 20MHz)													MPR (dB)	Measured (dBm)	Tune-up limit (dBm)
PCC					SCC										
Bandwidth [MHz]	Modulation	Frequency [MHz]	Channel	RB size	RB Offset	Bandwidth [MHz]	Modulation	Frequency [MHz]	Channel	RB size	RB Offset				
15	QPSK	3557.8	55318	1	74	20	QPSK	3574.9	55489	1	0	0	18.18	19.50	
15	QPSK	3615.3	55893	1	74	20	QPSK	3632.4	56064	1	0	0	18.32	19.50	
15	QPSK	3672.9	56469	1	74	20	QPSK	3690	56640	1	0	0	18.38	19.50	

CA_48C													UL CA power		
Combination 50RB + 100RB (10MHz + 20MHz)													MPR (dB)	Measured (dBm)	Tune-up limit (dBm)
PCC					SCC										
Bandwidth [MHz]	Modulation	Frequency [MHz]	Channel	RB size	RB Offset	Bandwidth [MHz]	Modulation	Frequency [MHz]	Channel	RB size	RB Offset				
10	QPSK	3555.5	55295	1	49	20	QPSK	3569.9	55439	1	0	0	18.24	19.50	
10	QPSK	3615.6	55896	1	49	20	QPSK	3630	56040	1	0	0	18.34	19.50	
10	QPSK	3675.6	56496	1	49	20	QPSK	3690	56640	1	0	0	18.33	19.50	

CA_48C													UL CA power		
Combination 25RB + 100RB (5MHz + 20MHz)													MPR (dB)	Measured (dBm)	Tune-up limit (dBm)
PCC					SCC										
Bandwidth [MHz]	Modulation	Frequency [MHz]	Channel	RB size	RB Offset	Bandwidth [MHz]	Modulation	Frequency [MHz]	Channel	RB size	RB Offset				
5	QPSK	3553.3	55273	1	24	20	QPSK	3565	55390	1	0	0	18.38	19.50	
5	QPSK	3615.8	55898	1	24	20	QPSK	3627.5	56015	1	0	0	18.35	19.50	
5	QPSK	3678.3	56523	1	24	20	QPSK	3690	56640	1	0	0	18.37	19.50	

CA_66B													UL CA power		
Combination 50RB + 50RB (10MHz + 10MHz)													MPR (dB)	Measured (dBm)	Tune-up limit (dBm)
PCC					SCC										
Bandwidth [MHz]	Modulation	Frequency [MHz]	Channel	RB size	RB Offset	Bandwidth [MHz]	Modulation	Frequency [MHz]	Channel	RB size	RB Offset				
10	QPSK	1715	132022	1	49	10	QPSK	1724.9	132121	1	0	0	17.26	18.50	
10	QPSK	1750.1	132373	1	49	10	QPSK	1760	132472	1	0	0	17.30	18.50	
10	QPSK	1765.1	132523	1	49	10	QPSK	1775	132622	1	0	0	17.24	18.50	

CA_66B													UL CA power		
Combination 25RB + 75RB (5MHz + 15MHz)													MPR (dB)	Measured (dBm)	Tune-up limit (dBm)
PCC					SCC										
Bandwidth [MHz]	Modulation	Frequency [MHz]	Channel	RB size	RB Offset	Bandwidth [MHz]	Modulation	Frequency [MHz]	Channel	RB size	RB Offset				
5	QPSK	1713	132002	1	24	15	QPSK	1722.3	132095	1	0	0	17.23	18.50	
5	QPSK	1748.1	132353	1	24	15	QPSK	1757.4	132446	1	0	0	17.29	18.50	
5	QPSK	1763.2	132504	1	24	15	QPSK	1772.5	132597	1	0	0	17.26	18.50	

CA_66B													UL CA power		
Combination 25RB + 50RB (5MHz + 10MHz)													MPR (dB)	Measured (dBm)	Tune-up limit (dBm)
PCC					SCC										
Bandwidth [MHz]	Modulation	Frequency [MHz]	Channel	RB size	RB Offset	Bandwidth [MHz]	Modulation	Frequency [MHz]	Channel	RB size	RB Offset				
5	QPSK	1712.8	132000	1	24	10	QPSK	1720	132072	1	0	0	17.23	18.50	
5	QPSK	1750.3	132375	1	24	10	QPSK	1757.5	132447	1	0	0	17.28	18.50	
5	QPSK	1767.8	132550	1	24	10	QPSK	1775	132622	1	0	0	17.26	18.50	

CA_66B													UL CA power		
Combination 25RB + 25RB (5MHz + 5MHz)													MPR (dB)	Measured (dBm)	Tune-up limit (dBm)
PCC					SCC										
Bandwidth [MHz]	Modulation	Frequency [MHz]	Channel	RB size	RB Offset	Bandwidth [MHz]	Modulation	Frequency [MHz]	Channel	RB size	RB Offset				
5	QPSK	1712.5	131997	1	24	5	QPSK	1717.3	132045	1	0	0	17.21	18.50	
5	QPSK	1752.6	132398	1	24	5	QPSK	1757.4	132446	1	0	0	17.26	18.50	
5	QPSK	1772.7	132599	1	24	5	QPSK	1777.5	132647	1	0	0	17.24	18.50	

Unless otherwise stated the results shown in this test report refer only to the sample(s) tested and such sample(s) are retained for 90 days only.

除非另有說明，此報告結果僅對測試之樣品負責，同時此樣品僅保留90天。本報告未經本公司書面許可，不可部份複製。

This document is issued by the Company subject to its General Conditions of Service printed overleaf, available on request or accessible at <http://www.sgs.com.tw/Terms-and-Conditions> and for electronic format documents, subject to Terms and Conditions for Electronic Documents at <http://www.sgs.com.tw/Terms-and-Conditions>. Attention is drawn to the limitation of liability, indemnification and jurisdiction issues defined therein. Any holder of this document is advised that information contained hereon reflects the Company's findings at the time of its intervention only and within the limits of Client's instructions, if any. The Company's sole responsibility is to its Client and this document does not exonerate parties to a transaction from exercising all their rights and obligations under the transaction documents. This document cannot be reproduced except in full, without prior written approval of the Company. Any unauthorized alteration, forgery or falsification of the content or appearance of this document is unlawful and offenders may be prosecuted to the fullest extent of the law.

CA_66C														
Combination 100RB + 100RB (20MHz + 20MHz)														
PCC						SCC						MPR (dB)	UL CA power	
Bandwidth [MHz]	Modulation	Frequency [MHz]	Channel	RB size	RB Offset	Bandwidth [MHz]	Modulation	Frequency [MHz]	Channel	RB size	RB Offset		Measured (dBm)	Tune-up limit (dBm)
20	QPSK	1720	132072	1	99	20	QPSK	1739.8	132270	1	0	0	17.21	18.50
20	QPSK	1745.1	132323	1	99	20	QPSK	1764.9	132521	1	0	0	17.24	18.50
20	QPSK	1750.2	132374	1	99	20	QPSK	1770	132572	1	0	0	17.32	18.50
CA_66C														
Combination 75RB + 100RB (15MHz + 20MHz)														
PCC						SCC						MPR (dB)	UL CA power	
Bandwidth [MHz]	Modulation	Frequency [MHz]	Channel	RB size	RB Offset	Bandwidth [MHz]	Modulation	Frequency [MHz]	Channel	RB size	RB Offset		Measured (dBm)	Tune-up limit (dBm)
15	QPSK	1717.8	132050	1	74	20	QPSK	1734.9	132221	1	0	0	17.19	18.50
15	QPSK	1745.3	132325	1	74	20	QPSK	1762.4	132496	1	0	0	17.06	18.50
15	QPSK	1752.9	132401	1	74	20	QPSK	1770	132572	1	0	0	17.14	18.50
CA_66C														
Combination 75RB + 75RB (15MHz + 15MHz)														
PCC						SCC						MPR (dB)	UL CA power	
Bandwidth [MHz]	Modulation	Frequency [MHz]	Channel	RB size	RB Offset	Bandwidth [MHz]	Modulation	Frequency [MHz]	Channel	RB size	RB Offset		Measured (dBm)	Tune-up limit (dBm)
15	QPSK	1717.5	132047	1	74	15	QPSK	1732.5	132197	1	0	0	17.22	18.50
15	QPSK	1747.5	132347	1	74	15	QPSK	1762.5	132497	1	0	0	17.17	18.50
15	QPSK	1757.5	132447	1	74	15	QPSK	1772.5	132597	1	0	0	17.21	18.50
CA_66C														
Combination 50RB + 100RB (10MHz + 20MHz)														
PCC						SCC						MPR (dB)	UL CA power	
Bandwidth [MHz]	Modulation	Frequency [MHz]	Channel	RB size	RB Offset	Bandwidth [MHz]	Modulation	Frequency [MHz]	Channel	RB size	RB Offset		Measured (dBm)	Tune-up limit (dBm)
10	QPSK	1715.5	132027	1	49	20	QPSK	1729.9	132171	1	0	0	17.06	18.50
10	QPSK	1745.6	132328	1	49	20	QPSK	1760	132472	1	0	0	17.19	18.50
10	QPSK	1755.6	132428	1	49	20	QPSK	1770	132572	1	0	0	17.15	18.50
CA_66C														
Combination 50RB + 75RB (10MHz + 15MHz)														
PCC						SCC						MPR (dB)	UL CA power	
Bandwidth [MHz]	Modulation	Frequency [MHz]	Channel	RB size	RB Offset	Bandwidth [MHz]	Modulation	Frequency [MHz]	Channel	RB size	RB Offset		Measured (dBm)	Tune-up limit (dBm)
10	QPSK	1715.3	132025	1	49	15	QPSK	1727.3	132145	1	0	0	17.01	18.50
10	QPSK	1747.9	132351	1	49	15	QPSK	1759.9	132471	1	0	0	17.17	18.50
10	QPSK	1760.5	132477	1	49	15	QPSK	1772.5	132597	1	0	0	17.14	18.50
CA_66C														
Combination 100RB + 25RB (20MHz + 5MHz)														
PCC						SCC						MPR (dB)	UL CA power	
Bandwidth [MHz]	Modulation	Frequency [MHz]	Channel	RB size	RB Offset	Bandwidth [MHz]	Modulation	Frequency [MHz]	Channel	RB size	RB Offset		Measured (dBm)	Tune-up limit (dBm)
20	QPSK	1720	132072	1	99	5	QPSK	1731.7	132189	1	0	0	17.23	18.50
20	QPSK	1752.5	132397	1	99	5	QPSK	1764.2	132514	1	0	0	17.18	18.50
20	QPSK	1765	132522	1	99	5	QPSK	1776.7	132639	1	0	0	17.22	18.50

Unless otherwise stated the results shown in this test report refer only to the sample(s) tested and such sample(s) are retained for 90 days only.

除非另有說明，此報告結果僅對測試之樣品負責，同時此樣品僅保留90天。本報告未經本公司書面許可，不可部份複製。

This document is issued by the Company subject to its General Conditions of Service printed overleaf, available on request or accessible at <http://www.sgs.com.tw/Terms-and-Conditions> and for electronic format documents, subject to Terms and Conditions for Electronic Documents at <http://www.sgs.com.tw/Terms-and-Conditions>. Attention is drawn to the limitation of liability, indemnification and jurisdiction issues defined therein. Any holder of this document is advised that information contained hereon reflects the Company's findings at the time of its intervention only and within the limits of Client's instructions, if any. The Company's sole responsibility is to its Client and this document does not exonerate parties to a transaction from exercising all their rights and obligations under the transaction documents. This document cannot be reproduced except in full, without prior written approval of the Company. Any unauthorized alteration, forgery or falsification of the content or appearance of this document is unlawful and offenders may be prosecuted to the fullest extent of the law.

6.6 LTE Inter-Band UL CA

CA_2A-5A														
Combination 100RB + 50RB (20MHz + 10MHz)														
PCC						SCC						MPR (dB)	UL CA power	
Bandwidth [MHz]	Modulation	Frequency [MHz]	Channel	RB size	RB Offset	Bandwidth [MHz]	Modulation	Frequency [MHz]	Channel	RB size	RB Offset		Measured (dBm)	Tune-up limit (dBm)
20	QPSK	1880	18900	1	0	10	QPSK	836.5	20525	1	0	0	17.75	18.50
20	QPSK	1880	18900	1	0	10	QPSK	836.5	20525	25	0	0	17.12	18.50
20	QPSK	1880	18900	1	0	10	QPSK	836.5	20525	50	0	0	17.30	18.50
20	QPSK	1880	18900	50	0	10	QPSK	836.5	20525	1	0	0	17.96	18.50
20	QPSK	1880	18900	50	0	10	QPSK	836.5	20525	25	0	0	18.02	18.50
20	QPSK	1880	18900	50	0	10	QPSK	836.5	20525	50	0	0	17.92	18.50
20	QPSK	1880	18900	100	0	10	QPSK	836.5	20525	1	0	0	18.12	18.50
20	QPSK	1880	18900	100	0	10	QPSK	836.5	20525	25	0	0	18.19	18.50
20	QPSK	1880	18900	100	0	10	QPSK	836.5	20525	50	0	0	18.17	18.50

CA_2A-12A														
Combination 100RB + 50RB (20MHz + 10MHz)														
PCC						SCC						MPR (dB)	UL CA power	
Bandwidth [MHz]	Modulation	Frequency [MHz]	Channel	RB size	RB Offset	Bandwidth [MHz]	Modulation	Frequency [MHz]	Channel	RB size	RB Offset		Measured (dBm)	Tune-up limit (dBm)
20	QPSK	1880	18900	1	0	10	QPSK	707.5	23095	1	0	0	17.99	18.50
20	QPSK	1880	18900	1	0	10	QPSK	707.5	23095	25	0	0	17.36	18.50
20	QPSK	1880	18900	1	0	10	QPSK	707.5	23095	50	0	0	17.23	18.50
20	QPSK	1880	18900	50	0	10	QPSK	707.5	23095	1	0	0	17.88	18.50
20	QPSK	1880	18900	50	0	10	QPSK	707.5	23095	25	0	0	18.11	18.50
20	QPSK	1880	18900	50	0	10	QPSK	707.5	23095	50	0	0	18.03	18.50
20	QPSK	1880	18900	100	0	10	QPSK	707.5	23095	1	0	0	18.20	18.50
20	QPSK	1880	18900	100	0	10	QPSK	707.5	23095	25	0	0	18.22	18.50
20	QPSK	1880	18900	100	0	10	QPSK	707.5	23095	50	0	0	18.02	18.50

CA_2A-13A														
Combination 100RB + 50RB (20MHz + 10MHz)														
PCC						SCC						MPR (dB)	UL CA power	
Bandwidth [MHz]	Modulation	Frequency [MHz]	Channel	RB size	RB Offset	Bandwidth [MHz]	Modulation	Frequency [MHz]	Channel	RB size	RB Offset		Measured (dBm)	Tune-up limit (dBm)
20	QPSK	1880	18900	1	0	10	QPSK	782	23230	1	0	0	17.48	18.50
20	QPSK	1880	18900	1	0	10	QPSK	782	23230	25	0	0	17.24	18.50
20	QPSK	1880	18900	1	0	10	QPSK	782	23230	50	0	0	17.31	18.50
20	QPSK	1880	18900	50	0	10	QPSK	782	23230	1	0	0	16.85	18.50
20	QPSK	1880	18900	50	0	10	QPSK	782	23230	25	0	0	17.94	18.50
20	QPSK	1880	18900	50	0	10	QPSK	782	23230	50	0	0	17.91	18.50
20	QPSK	1880	18900	100	0	10	QPSK	782	23230	1	0	0	18.19	18.50
20	QPSK	1880	18900	100	0	10	QPSK	782	23230	25	0	0	18.32	18.50
20	QPSK	1880	18900	100	0	10	QPSK	782	23230	50	0	0	17.70	18.50

CA_2A-14A														
Combination 100RB + 50RB (20MHz + 10MHz)														
PCC						SCC						MPR (dB)	UL CA power	
Bandwidth [MHz]	Modulation	Frequency [MHz]	Channel	RB size	RB Offset	Bandwidth [MHz]	Modulation	Frequency [MHz]	Channel	RB size	RB Offset		Measured (dBm)	Tune-up limit (dBm)
20	QPSK	1880	18900	1	0	10	QPSK	793	23330	1	0	0	17.68	18.50
20	QPSK	1880	18900	1	0	10	QPSK	793	23330	25	0	0	17.45	18.50
20	QPSK	1880	18900	1	0	10	QPSK	793	23330	50	0	0	17.44	18.50
20	QPSK	1880	18900	50	0	10	QPSK	793	23330	1	0	0	17.84	18.50
20	QPSK	1880	18900	50	0	10	QPSK	793	23330	25	0	0	17.67	18.50
20	QPSK	1880	18900	50	0	10	QPSK	793	23330	50	0	0	17.89	18.50
20	QPSK	1880	18900	100	0	10	QPSK	793	23330	1	0	0	17.52	18.50
20	QPSK	1880	18900	100	0	10	QPSK	793	23330	25	0	0	17.72	18.50
20	QPSK	1880	18900	100	0	10	QPSK	793	23330	50	0	0	17.47	18.50

CA_2A-48A														
Combination 100RB + 100RB (20MHz + 20MHz)														
PCC						SCC						MPR (dB)	UL CA power	
Bandwidth [MHz]	Modulation	Frequency [MHz]	Channel	RB size	RB Offset	Bandwidth [MHz]	Modulation	Frequency [MHz]	Channel	RB size	RB Offset		Measured (dBm)	Tune-up limit (dBm)
20	QPSK	1880	18900	1	0	20	QPSK	3609	55830	1	0	0	15.65	18.50
20	QPSK	1880	18900	1	0	20	QPSK	3609	55830	50	0	0	15.72	18.50
20	QPSK	1880	18900	1	0	20	QPSK	3609	55830	100	0	0	15.77	18.50
20	QPSK	1880	18900	50	0	20	QPSK	3609	55830	1	0	0	15.67	18.50
20	QPSK	1880	18900	50	0	20	QPSK	3609	55830	50	0	0	15.69	18.50
20	QPSK	1880	18900	50	0	20	QPSK	3609	55830	100	0	0	15.74	18.50
20	QPSK	1880	18900	100	0	20	QPSK	3609	55830	1	0	0	15.76	18.50
20	QPSK	1880	18900	100	0	20	QPSK	3609	55830	50	0	0	15.88	18.50
20	QPSK	1880	18900	100	0	20	QPSK	3609	55830	100	0	0	15.71	18.50

Unless otherwise stated the results shown in this test report refer only to the sample(s) tested and such sample(s) are retained for 90 days only.

除非另有說明，此報告結果僅對測試之樣品負責，同時此樣品僅保留90天。本報告未經本公司書面許可，不可部份複製。

This document is issued by the Company subject to its General Conditions of Service printed overleaf, available on request or accessible at <http://www.sgs.com.tw/Terms-and-Conditions> and for electronic format documents, subject to Terms and Conditions for Electronic Documents at <http://www.sgs.com.tw/Terms-and-Conditions>. Attention is drawn to the limitation of liability, indemnification and jurisdiction issues defined therein. Any holder of this document is advised that information contained hereon reflects the Company's findings at the time of its intervention only and within the limits of Client's instructions, if any. The Company's sole responsibility is to its Client and this document does not exonerate parties to a transaction from exercising all their rights and obligations under the transaction documents. This document cannot be reproduced except in full, without prior written approval of the Company. Any unauthorized alteration, forgery or falsification of the content or appearance of this document is unlawful and offenders may be prosecuted to the fullest extent of the law.

CA_4A-5A														
Combination 50RB + 50RB (10MHz + 10MHz)														
PCC						SCC						MPR (dB)	UL CA power	
Bandwidth [MHz]	Modulation	Frequency [MHz]	Channel	RB size	RB Offset	Bandwidth [MHz]	Modulation	Frequency [MHz]	Channel	RB size	RB Offset		Measured (dBm)	Tune-up limit (dBm)
10	QPSK	1732.5	20175	1	0	10	QPSK	836.5	20525	1	0	0	19.53	20.00
10	QPSK	1732.5	20175	1	0	10	QPSK	836.5	20525	25	0	0	19.22	20.00
10	QPSK	1732.5	20175	1	0	10	QPSK	836.5	20525	50	0	0	19.02	20.00
10	QPSK	1732.5	20175	25	0	10	QPSK	836.5	20525	1	0	0	19.25	20.00
10	QPSK	1732.5	20175	25	0	10	QPSK	836.5	20525	25	0	0	19.08	20.00
10	QPSK	1732.5	20175	25	0	10	QPSK	836.5	20525	50	0	0	18.99	20.00
10	QPSK	1732.5	20175	50	0	10	QPSK	836.5	20525	1	0	0	19.41	20.00
10	QPSK	1732.5	20175	50	0	10	QPSK	836.5	20525	25	0	0	19.29	20.00
10	QPSK	1732.5	20175	50	0	10	QPSK	836.5	20525	50	0	0	19.44	20.00

CA_4A-12A														
Combination 50RB + 50RB (10MHz + 10MHz)														
PCC						SCC						MPR (dB)	UL CA power	
Bandwidth [MHz]	Modulation	Frequency [MHz]	Channel	RB size	RB Offset	Bandwidth [MHz]	Modulation	Frequency [MHz]	Channel	RB size	RB Offset		Measured (dBm)	Tune-up limit (dBm)
10	QPSK	1732.5	20175	1	0	10	QPSK	707.5	23095	1	0	0	19.41	20.00
10	QPSK	1732.5	20175	1	0	10	QPSK	707.5	23095	25	0	0	19.49	20.00
10	QPSK	1732.5	20175	1	0	10	QPSK	707.5	23095	50	0	0	19.50	20.00
10	QPSK	1732.5	20175	25	0	10	QPSK	707.5	23095	1	0	0	19.46	20.00
10	QPSK	1732.5	20175	25	0	10	QPSK	707.5	23095	25	0	0	19.39	20.00
10	QPSK	1732.5	20175	25	0	10	QPSK	707.5	23095	50	0	0	19.47	20.00
10	QPSK	1732.5	20175	50	0	10	QPSK	707.5	23095	1	0	0	19.41	20.00
10	QPSK	1732.5	20175	50	0	10	QPSK	707.5	23095	25	0	0	19.49	20.00
10	QPSK	1732.5	20175	50	0	10	QPSK	707.5	23095	50	0	0	19.46	20.00

CA_4A-13A														
Combination 15RB + 50RB (10MHz + 10MHz)														
PCC						SCC						MPR (dB)	UL CA power	
Bandwidth [MHz]	Modulation	Frequency [MHz]	Channel	RB size	RB Offset	Bandwidth [MHz]	Modulation	Frequency [MHz]	Channel	RB size	RB Offset		Measured (dBm)	Tune-up limit (dBm)
10	QPSK	1732.5	20175	1	0	10	QPSK	782	23230	1	0	0	18.92	20.00
10	QPSK	1732.5	20175	1	0	10	QPSK	782	23230	25	0	0	18.67	20.00
10	QPSK	1732.5	20175	1	0	10	QPSK	782	23230	50	0	0	19.07	20.00
10	QPSK	1732.5	20175	25	0	10	QPSK	782	23230	1	0	0	19.58	20.00
10	QPSK	1732.5	20175	25	0	10	QPSK	782	23230	25	0	0	19.67	20.00
10	QPSK	1732.5	20175	25	0	10	QPSK	782	23230	50	0	0	19.63	20.00
10	QPSK	1732.5	20175	50	0	10	QPSK	782	23230	1	0	0	19.55	20.00
10	QPSK	1732.5	20175	50	0	10	QPSK	782	23230	25	0	0	19.61	20.00
10	QPSK	1732.5	20175	50	0	10	QPSK	782	23230	50	0	0	19.57	20.00

Unless otherwise stated the results shown in this test report refer only to the sample(s) tested and such sample(s) are retained for 90 days only.

除非另有說明，此報告結果僅對測試之樣品負責，同時此樣品僅保留90天。本報告未經本公司書面許可，不可部份複製。

This document is issued by the Company subject to its General Conditions of Service printed overleaf, available on request or accessible at <http://www.sgs.com.tw/Terms-and-Conditions> and for electronic format documents, subject to Terms and Conditions for Electronic Documents at <http://www.sgs.com.tw/Terms-and-Conditions>. Attention is drawn to the limitation of liability, indemnification and jurisdiction issues defined therein. Any holder of this document is advised that information contained hereon reflects the Company's findings at the time of its intervention only and within the limits of Client's instructions, if any. The Company's sole responsibility is to its Client and this document does not exonerate parties to a transaction from exercising all their rights and obligations under the transaction documents. This document cannot be reproduced except in full, without prior written approval of the Company. Any unauthorized alteration, forgery or falsification of the content or appearance of this document is unlawful and offenders may be prosecuted to the fullest extent of the law.

CA_5A-7A														
Combination 50RB + 100RB (10MHz + 20MHz)														
PCC						SCC						MPR (dB)	UL CA power	
Bandwidth [MHz]	Modulation	Frequency [MHz]	Channel	RB size	RB Offset	Bandwidth [MHz]	Modulation	Frequency [MHz]	Channel	RB size	RB Offset		Measured (dBm)	Tune-up limit (dBm)
10	QPSK	836.5	20525	1	0	20	QPSK	2535	21100	1	0	0	19.96	20.50
10	QPSK	836.5	20525	1	0	20	QPSK	2535	21100	50	0	0	19.53	20.50
10	QPSK	836.5	20525	1	0	20	QPSK	2535	21100	100	0	0	19.43	20.50
10	QPSK	836.5	20525	25	0	20	QPSK	2535	21100	1	0	0	19.64	20.50
10	QPSK	836.5	20525	25	0	20	QPSK	2535	21100	50	0	0	19.61	20.50
10	QPSK	836.5	20525	25	0	20	QPSK	2535	21100	100	0	0	19.70	20.50
10	QPSK	836.5	20525	50	0	20	QPSK	2535	21100	1	0	0	19.35	20.50
10	QPSK	836.5	20525	50	0	20	QPSK	2535	21100	50	0	0	19.34	20.50
10	QPSK	836.5	20525	50	0	20	QPSK	2535	21100	100	0	0	19.32	20.50

CA_5A-30A														
Combination 50RB + 50RB (10MHz + 10MHz)														
PCC						SCC						MPR (dB)	UL CA power	
Bandwidth [MHz]	Modulation	Frequency [MHz]	Channel	RB size	RB Offset	Bandwidth [MHz]	Modulation	Frequency [MHz]	Channel	RB size	RB Offset		Measured (dBm)	Tune-up limit (dBm)
10	QPSK	836.5	20525	1	0	10	QPSK	2310	27710	1	0	0	20.11	20.50
10	QPSK	836.5	20525	1	0	10	QPSK	2310	27710	25	0	0	20.03	20.50
10	QPSK	836.5	20525	1	0	10	QPSK	2310	27710	50	0	0	19.93	20.50
10	QPSK	836.5	20525	25	0	10	QPSK	2310	27710	1	0	0	20.01	20.50
10	QPSK	836.5	20525	25	0	10	QPSK	2310	27710	25	0	0	19.87	20.50
10	QPSK	836.5	20525	25	0	10	QPSK	2310	27710	50	0	0	19.79	20.50
10	QPSK	836.5	20525	50	0	10	QPSK	2310	27710	1	0	0	19.82	20.50
10	QPSK	836.5	20525	50	0	10	QPSK	2310	27710	25	0	0	19.96	20.50
10	QPSK	836.5	20525	50	0	10	QPSK	2310	27710	50	0	0	20.08	20.50

CA_5A-48A														
Combination 50RB + 100RB (10MHz + 20MHz)														
PCC						SCC						MPR (dB)	UL CA power	
Bandwidth [MHz]	Modulation	Frequency [MHz]	Channel	RB size	RB Offset	Bandwidth [MHz]	Modulation	Frequency [MHz]	Channel	RB size	RB Offset		Measured (dBm)	Tune-up limit (dBm)
10	QPSK	836.5	20525	1	0	20	QPSK	3609	55830	1	0	0	19.75	20.50
10	QPSK	836.5	20525	1	0	20	QPSK	3609	55830	50	0	0	19.81	20.50
10	QPSK	836.5	20525	1	0	20	QPSK	3609	55830	100	0	0	19.91	20.50
10	QPSK	836.5	20525	25	0	20	QPSK	3609	55830	1	0	0	19.65	20.50
10	QPSK	836.5	20525	25	0	20	QPSK	3609	55830	50	0	0	19.78	20.50
10	QPSK	836.5	20525	25	0	20	QPSK	3609	55830	100	0	0	19.81	20.50
10	QPSK	836.5	20525	50	0	20	QPSK	3609	55830	1	0	0	19.88	20.50
10	QPSK	836.5	20525	50	0	20	QPSK	3609	55830	50	0	0	19.97	20.50
10	QPSK	836.5	20525	50	0	20	QPSK	3609	55830	100	0	0	19.86	20.50

CA_5A-66A														
Combination 50RB + 100RB (10MHz + 20MHz)														
PCC						SCC						MPR (dB)	UL CA power	
Bandwidth [MHz]	Modulation	Frequency [MHz]	Channel	RB size	RB Offset	Bandwidth [MHz]	Modulation	Frequency [MHz]	Channel	RB size	RB Offset		Measured (dBm)	Tune-up limit (dBm)
10	QPSK	836.5	20525	1	0	20	QPSK	1745	132322	1	0	0	19.58	20.50
10	QPSK	836.5	20525	1	0	20	QPSK	1745	132322	50	0	0	19.65	20.50
10	QPSK	836.5	20525	1	0	20	QPSK	1745	132322	100	0	0	19.78	20.50
10	QPSK	836.5	20525	25	0	20	QPSK	1745	132322	1	0	0	19.88	20.50
10	QPSK	836.5	20525	25	0	20	QPSK	1745	132322	50	0	0	19.64	20.50
10	QPSK	836.5	20525	25	0	20	QPSK	1745	132322	100	0	0	19.59	20.50
10	QPSK	836.5	20525	50	0	20	QPSK	1745	132322	1	0	0	19.73	20.50
10	QPSK	836.5	20525	50	0	20	QPSK	1745	132322	50	0	0	19.82	20.50
10	QPSK	836.5	20525	50	0	20	QPSK	1745	132322	100	0	0	19.96	20.50

Unless otherwise stated the results shown in this test report refer only to the sample(s) tested and such sample(s) are retained for 90 days only.

除非另有說明，此報告結果僅對測試之樣品負責，同時此樣品僅保留90天。本報告未經本公司書面許可，不可部份複製。

This document is issued by the Company subject to its General Conditions of Service printed overleaf, available on request or accessible at <http://www.sgs.com.tw/Terms-and-Conditions> and for electronic format documents, subject to Terms and Conditions for Electronic Documents at <http://www.sgs.com.tw/Terms-and-Conditions>. Attention is drawn to the limitation of liability, indemnification and jurisdiction issues defined therein. Any holder of this document is advised that information contained hereon reflects the Company's findings at the time of its intervention only and within the limits of Client's instructions, if any. The Company's sole responsibility is to its Client and this document does not exonerate parties to a transaction from exercising all their rights and obligations under the transaction documents. This document cannot be reproduced except in full, without prior written approval of the Company. Any unauthorized alteration, forgery or falsification of the content or appearance of this document is unlawful and offenders may be prosecuted to the fullest extent of the law.

CA_12A-30A														
Combination 50RB + 50RB (10MHz + 10MHz)														
PCC						SCC						UL CA power		
Bandwidth [MHz]	Modulation	Frequency [MHz]	Channel	RB size	RB Offset	Bandwidth [MHz]	Modulation	Frequency [MHz]	Channel	RB size	RB Offset	MPR (dB)	Measured (dBm)	Tune-up limit (dBm)
10	QPSK	707.5	23095	1	0	10	QPSK	2310	27710	1	0	0	23.24	24.00
10	QPSK	707.5	23095	1	0	10	QPSK	2310	27710	25	0	0	23.52	24.00
10	QPSK	707.5	23095	1	0	10	QPSK	2310	27710	50	0	0	23.44	24.00
10	QPSK	707.5	23095	25	0	10	QPSK	2310	27710	1	0	0	23.38	24.00
10	QPSK	707.5	23095	25	0	10	QPSK	2310	27710	25	0	0	23.42	24.00
10	QPSK	707.5	23095	25	0	10	QPSK	2310	27710	50	0	0	23.56	24.00
10	QPSK	707.5	23095	50	0	10	QPSK	2310	27710	1	0	0	23.47	24.00
10	QPSK	707.5	23095	50	0	10	QPSK	2310	27710	25	0	0	23.57	24.00
10	QPSK	707.5	23095	50	0	10	QPSK	2310	27710	50	0	0	23.66	24.00

CA_12A-66A														
Combination 50RB + 50RB (10MHz + 10MHz)														
PCC						SCC						UL CA power		
Bandwidth [MHz]	Modulation	Frequency [MHz]	Channel	RB size	RB Offset	Bandwidth [MHz]	Modulation	Frequency [MHz]	Channel	RB size	RB Offset	MPR (dB)	Measured (dBm)	Tune-up limit (dBm)
10	QPSK	707.5	23095	1	0	10	QPSK	1745	132322	1	0	0	23.02	24.00
10	QPSK	707.5	23095	1	0	10	QPSK	1745	132322	25	0	0	23.09	24.00
10	QPSK	707.5	23095	1	0	10	QPSK	1745	132322	50	0	0	23.06	24.00
10	QPSK	707.5	23095	25	0	10	QPSK	1745	132322	1	0	0	22.97	24.00
10	QPSK	707.5	23095	25	0	10	QPSK	1745	132322	25	0	0	23.01	24.00
10	QPSK	707.5	23095	25	0	10	QPSK	1745	132322	50	0	0	23.05	24.00
10	QPSK	707.5	23095	50	0	10	QPSK	1745	132322	1	0	0	22.89	24.00
10	QPSK	707.5	23095	50	0	10	QPSK	1745	132322	25	0	0	22.94	24.00
10	QPSK	707.5	23095	50	0	10	QPSK	1745	132322	50	0	0	23.01	24.00

CA_13A-48A														
Combination 50RB + 100RB (10MHz + 20MHz)														
PCC						SCC						UL CA power		
Bandwidth [MHz]	Modulation	Frequency [MHz]	Channel	RB size	RB Offset	Bandwidth [MHz]	Modulation	Frequency [MHz]	Channel	RB size	RB Offset	MPR (dB)	Measured (dBm)	Tune-up limit (dBm)
10	QPSK	782	23230	1	0	20	QPSK	3609	55830	1	0	0	21.12	23.00
10	QPSK	782	23230	1	0	20	QPSK	3609	55830	50	0	0	21.44	23.00
10	QPSK	782	23230	1	0	20	QPSK	3609	55830	100	0	0	21.41	23.00
10	QPSK	782	23230	25	0	20	QPSK	3609	55830	1	0	0	21.38	23.00
10	QPSK	782	23230	25	0	20	QPSK	3609	55830	50	0	0	21.42	23.00
10	QPSK	782	23230	25	0	20	QPSK	3609	55830	100	0	0	21.36	23.00
10	QPSK	782	23230	50	0	20	QPSK	3609	55830	1	0	0	21.47	23.00
10	QPSK	782	23230	50	0	20	QPSK	3609	55830	50	0	0	21.38	23.00
10	QPSK	782	23230	50	0	20	QPSK	3609	55830	100	0	0	21.40	23.00

CA_13A-66A														
Combination 50RB + 100RB (10MHz + 20MHz)														
PCC						SCC						UL CA power		
Bandwidth [MHz]	Modulation	Frequency [MHz]	Channel	RB size	RB Offset	Bandwidth [MHz]	Modulation	Frequency [MHz]	Channel	RB size	RB Offset	MPR (dB)	Measured (dBm)	Tune-up limit (dBm)
10	QPSK	782	23230	1	0	20	QPSK	1745	132322	1	0	0	22.44	23.00
10	QPSK	782	23230	1	0	20	QPSK	1745	132322	50	0	0	22.46	23.00
10	QPSK	782	23230	1	0	20	QPSK	1745	132322	100	0	0	22.50	23.00
10	QPSK	782	23230	25	0	20	QPSK	1745	132322	1	0	0	22.63	23.00
10	QPSK	782	23230	25	0	20	QPSK	1745	132322	50	0	0	22.48	23.00
10	QPSK	782	23230	25	0	20	QPSK	1745	132322	100	0	0	22.58	23.00
10	QPSK	782	23230	50	0	20	QPSK	1745	132322	1	0	0	22.71	23.00
10	QPSK	782	23230	50	0	20	QPSK	1745	132322	50	0	0	22.51	23.00
10	QPSK	782	23230	50	0	20	QPSK	1745	132322	100	0	0	22.64	23.00

Unless otherwise stated the results shown in this test report refer only to the sample(s) tested and such sample(s) are retained for 90 days only.

除非另有說明，此報告結果僅對測試之樣品負責，同時此樣品僅保留90天。本報告未經本公司書面許可，不可部份複製。

This document is issued by the Company subject to its General Conditions of Service printed overleaf, available on request or accessible at <http://www.sgs.com.tw/Terms-and-Conditions> and for electronic format documents, subject to Terms and Conditions for Electronic Documents at <http://www.sgs.com.tw/Terms-and-Conditions>. Attention is drawn to the limitation of liability, indemnification and jurisdiction issues defined therein. Any holder of this document is advised that information contained hereon reflects the Company's findings at the time of its intervention only and within the limits of Client's instructions, if any. The Company's sole responsibility is to its Client and this document does not exonerate parties to a transaction from exercising all their rights and obligations under the transaction documents. This document cannot be reproduced except in full, without prior written approval of the Company. Any unauthorized alteration, forgery or falsification of the content or appearance of this document is unlawful and offenders may be prosecuted to the fullest extent of the law.

CA_14A-30A														
Combination 50RB + 50RB (10MHz + 10MHz)														
PCC						SCC						UL CA power		
Bandwidth [MHz]	Modulation	Frequency [MHz]	Channel	RB size	RB Offset	Bandwidth [MHz]	Modulation	Frequency [MHz]	Channel	RB size	RB Offset	MPR (dB)	Measured (dBm)	Tune-up limit (dBm)
10	QPSK	793	23330	1	0	10	QPSK	2310	27710	1	0	0	23.43	23.50
10	QPSK	793	23330	1	0	10	QPSK	2310	27710	25	0	0	23.05	23.50
10	QPSK	793	23330	1	0	10	QPSK	2310	27710	50	0	0	23.17	23.50
10	QPSK	793	23330	25	0	10	QPSK	2310	27710	1	0	0	23.48	23.50
10	QPSK	793	23330	25	0	10	QPSK	2310	27710	25	0	0	23.09	23.50
10	QPSK	793	23330	25	0	10	QPSK	2310	27710	50	0	0	23.36	23.50
10	QPSK	793	23330	50	0	10	QPSK	2310	27710	1	0	0	23.46	23.50
10	QPSK	793	23330	50	0	10	QPSK	2310	27710	25	0	0	23.06	23.50
10	QPSK	793	23330	50	0	10	QPSK	2310	27710	50	0	0	23.14	23.50

CA_14A-66A														
Combination 50RB + 100RB (10MHz + 20MHz)														
PCC						SCC						UL CA power		
Bandwidth [MHz]	Modulation	Frequency [MHz]	Channel	RB size	RB Offset	Bandwidth [MHz]	Modulation	Frequency [MHz]	Channel	RB size	RB Offset	MPR (dB)	Measured (dBm)	Tune-up limit (dBm)
10	QPSK	793	23330	1	0	20	QPSK	1745	132322	1	0	0	22.98	23.50
10	QPSK	793	23330	1	0	20	QPSK	1745	132322	50	0	0	23.01	23.50
10	QPSK	793	23330	1	0	20	QPSK	1745	132322	100	0	0	22.96	23.50
10	QPSK	793	23330	25	0	20	QPSK	1745	132322	1	0	0	22.03	23.50
10	QPSK	793	23330	25	0	20	QPSK	1745	132322	50	0	0	22.89	23.50
10	QPSK	793	23330	25	0	20	QPSK	1745	132322	100	0	0	22.99	23.50
10	QPSK	793	23330	50	0	20	QPSK	1745	132322	1	0	0	22.91	23.50
10	QPSK	793	23330	50	0	20	QPSK	1745	132322	50	0	0	22.87	23.50
10	QPSK	793	23330	50	0	20	QPSK	1745	132322	100	0	0	22.76	23.50

CA_25A-26A														
Combination 100RB + 75RB (20MHz + 15MHz)														
PCC						SCC						UL CA power		
Bandwidth [MHz]	Modulation	Frequency [MHz]	Channel	RB size	RB Offset	Bandwidth [MHz]	Modulation	Frequency [MHz]	Channel	RB size	RB Offset	MPR (dB)	Measured (dBm)	Tune-up limit (dBm)
20	QPSK	1882.5	26365	1	0	20	QPSK	831.5	26865	1	0	0	19.28	19.50
20	QPSK	1882.5	26365	1	0	20	QPSK	831.5	26865	36	0	0	18.84	19.50
20	QPSK	1882.5	26365	1	0	20	QPSK	831.5	26865	75	0	0	18.30	19.50
20	QPSK	1882.5	26365	50	0	20	QPSK	831.5	26865	1	0	0	19.23	19.50
20	QPSK	1882.5	26365	50	0	20	QPSK	831.5	26865	36	0	0	19.43	19.50
20	QPSK	1882.5	26365	50	0	20	QPSK	831.5	26865	75	0	0	18.26	19.50
20	QPSK	1882.5	26365	100	0	20	QPSK	831.5	26865	1	0	0	19.32	19.50
20	QPSK	1882.5	26365	100	0	20	QPSK	831.5	26865	36	0	0	18.72	19.50
20	QPSK	1882.5	26365	100	0	20	QPSK	831.5	26865	75	0	0	18.27	19.50

CA_48A-66A														
Combination 100RB + 100RB (20MHz + 20MHz)														
PCC						SCC						UL CA power		
Bandwidth [MHz]	Modulation	Frequency [MHz]	Channel	RB size	RB Offset	Bandwidth [MHz]	Modulation	Frequency [MHz]	Channel	RB size	RB Offset	MPR (dB)	Measured (dBm)	Tune-up limit (dBm)
20	QPSK	3609	55830	1	0	20	QPSK	1745	132322	1	0	0	17.43	18.00
20	QPSK	3609	55830	1	0	20	QPSK	1745	132322	50	0	0	17.53	18.00
20	QPSK	3609	55830	1	0	20	QPSK	1745	132322	100	0	0	17.47	18.00
20	QPSK	3609	55830	50	0	20	QPSK	1745	132322	1	0	0	17.39	18.00
20	QPSK	3609	55830	50	0	20	QPSK	1745	132322	50	0	0	17.49	18.00
20	QPSK	3609	55830	50	0	20	QPSK	1745	132322	100	0	0	17.51	18.00
20	QPSK	3609	55830	100	0	20	QPSK	1745	132322	1	0	0	17.54	18.00
20	QPSK	3609	55830	100	0	20	QPSK	1745	132322	50	0	0	17.42	18.00
20	QPSK	3609	55830	100	0	20	QPSK	1745	132322	100	0	0	17.51	18.00

Unless otherwise stated the results shown in this test report refer only to the sample(s) tested and such sample(s) are retained for 90 days only.

除非另有說明，此報告結果僅對測試之樣品負責，同時此樣品僅保留90天。本報告未經本公司書面許可，不可部份複製。

This document is issued by the Company subject to its General Conditions of Service printed overleaf, available on request or accessible at <http://www.sgs.com.tw/Terms-and-Conditions> and for electronic format documents, subject to Terms and Conditions for Electronic Documents at <http://www.sgs.com.tw/Terms-and-Conditions>. Attention is drawn to the limitation of liability, indemnification and jurisdiction issues defined therein. Any holder of this document is advised that information contained hereon reflects the Company's findings at the time of its intervention only and within the limits of Client's instructions, if any. The Company's sole responsibility is to its Client and this document does not exonerate parties to a transaction from exercising all their rights and obligations under the transaction documents. This document cannot be reproduced except in full, without prior written approval of the Company. Any unauthorized alteration, forgery or falsification of the content or appearance of this document is unlawful and offenders may be prosecuted to the fullest extent of the law.

6.7 FDD NR

ANT 5

5G NR n2_15kHz								
BW(MHz)	Modulation	RB Size	RB Offset	Conducted power (dBm)			Target Power + Max. Tolerance (dBm)	MPR Allowed per 3GPP(dB)
Frequency (MHz)				1860	1880	1900		
Channel				372000	376000	380000		
20	Pi/2 BPSK	1	1	16.37	16.62	16.26	17.50	0.0
		1	53	16.03	16.41	15.97	17.50	0.0
		1	104	16.17	16.34	15.92	17.50	0.0
		50	0	16.09	16.47	16.01	17.50	0.0
		50	28	16.03	16.21	15.98	17.50	0.0
		50	56	16.02	16.41	15.86	17.50	0.0
		100	0	16.01	16.32	15.97	17.50	0.0
	QPSK	1	1	16.17	15.82	15.99	17.50	0.0
		1	53	16.14	15.89	15.90	17.50	0.0
		1	104	16.10	15.77	16.02	17.50	0.0
		50	0	16.14	15.84	15.90	17.50	0.0
		50	28	16.04	15.86	15.93	17.50	0.0
		50	56	16.15	15.75	15.95	17.50	0.0
		100	0	16.13	15.90	15.98	17.50	0.0
	16-QAM	1	1	16.15	15.99	15.87	17.50	0.0
	64QAM	1	1	16.02	16.29	15.97	17.50	0.0
	256-QAM	1	1	16.16	15.94	15.88	17.50	0.0

5G NR n2_15kHz								
BW(MHz)	Modulation	RB Size	RB Offset	Conducted power (dBm)			Target Power + Max. Tolerance (dBm)	MPR Allowed per 3GPP(dB)
Frequency (MHz)				1857.5	1880	1902.5		
Channel				371500	376000	380500		
15	Pi/2 BPSK	1	1	16.01	15.92	15.99	17.50	0.0

5G NR n2_15kHz								
BW(MHz)	Modulation	RB Size	RB Offset	Conducted power (dBm)			Target Power + Max. Tolerance (dBm)	MPR Allowed per 3GPP(dB)
Frequency (MHz)				1855	1880	1905		
Channel				371000	376000	381000		
10	Pi/2 BPSK	1	1	16.11	15.92	15.95	17.50	0.0

Unless otherwise stated the results shown in this test report refer only to the sample(s) tested and such sample(s) are retained for 90 days only.

除非另有說明，此報告結果僅對測試之樣品負責，同時此樣品僅保留90天。本報告未經本公司書面許可，不可部份複製。

This document is issued by the Company subject to its General Conditions of Service printed overleaf, available on request or accessible at <http://www.sgs.com.tw/Terms-and-Conditions> and for electronic format documents, subject to Terms and Conditions for Electronic Documents at <http://www.sgs.com.tw/Terms-and-Conditions>. Attention is drawn to the limitation of liability, indemnification and jurisdiction issues defined therein. Any holder of this document is advised that information contained hereon reflects the Company's findings at the time of its intervention only and within the limits of Client's instructions, if any. The Company's sole responsibility is to its Client and this document does not exonerate parties to a transaction from exercising all their rights and obligations under the transaction documents. This document cannot be reproduced except in full, without prior written approval of the Company. Any unauthorized alteration, forgery or falsification of the content or appearance of this document is unlawful and offenders may be prosecuted to the fullest extent of the law.

5G NR n2_15kHz								
BW(MHz)	Modulation	RB Size	RB Offset	Conducted power (dBm)			Target Power + Max. Tolerance (dBm)	MPR Allowed per 3GPP(dB)
Frequency (MHz)				1852.5	1880	1907.5		
Channel				370500	376000	381500		
5	Pi/2 BPSK	1	1	16.04	16.06	15.99	17.50	0.0
5G NR n5_15kHz								
Channel	Modulation	RB Size	RB Offset	Conducted power (dBm)			Target Power + Max. Tolerance (dBm)	MPR Allowed per 3GPP(dB)
Frequency (MHz)				834	836.5	839		
Channel				166800	167300	167800		
20	Pi/2 BPSK	1	1	21.59	21.60	21.65	22.00	0.0
		1	53	21.21	21.23	21.43	22.00	0.0
		1	104	21.37	21.35	21.31	22.00	0.0
		50	0	21.23	21.27	21.26	22.00	0.0
		50	28	21.32	21.39	21.40	22.00	0.0
		50	56	21.23	21.30	21.27	22.00	0.0
		100	0	21.31	21.29	21.34	22.00	0.0
	QPSK	1	1	21.30	21.27	21.41	22.00	0.0
		1	53	21.39	21.40	21.29	22.00	0.0
		1	104	21.33	21.27	21.38	22.00	0.0
		50	0	21.34	21.27	21.44	22.00	0.0
		50	28	21.24	21.33	21.29	22.00	0.0
		50	56	21.37	21.30	21.33	22.00	0.0
		100	0	21.34	21.25	21.39	22.00	0.0
	16-QAM	1	1	21.27	21.38	21.44	22.00	0.0
64QAM	1	1	21.38	21.24	21.36	22.00	0.0	
256-QAM	1	1	21.24	21.23	21.44	22.00	0.0	
5G NR n5_15kHz								
BW(MHz)	Modulation	RB Size	RB Offset	Conducted power (dBm)			Target Power + Max. Tolerance (dBm)	MPR Allowed per 3GPP(dB)
Frequency (MHz)				831.5	836.5	841.5		
Channel				166300	167300	168300		
15	Pi/2 BPSK	1	1	21.35	21.26	21.38	22.00	0.0

Unless otherwise stated the results shown in this test report refer only to the sample(s) tested and such sample(s) are retained for 90 days only.

除非另有說明，此報告結果僅對測試之樣品負責，同時此樣品僅保留90天。本報告未經本公司書面許可，不可部份複製。

This document is issued by the Company subject to its General Conditions of Service printed overleaf, available on request or accessible at <http://www.sgs.com.tw/Terms-and-Conditions> and for electronic format documents, subject to Terms and Conditions for Electronic Documents at <http://www.sgs.com.tw/Terms-and-Conditions>. Attention is drawn to the limitation of liability, indemnification and jurisdiction issues defined therein. Any holder of this document is advised that information contained hereon reflects the Company's findings at the time of its intervention only and within the limits of Client's instructions, if any. The Company's sole responsibility is to its Client and this document does not exonerate parties to a transaction from exercising all their rights and obligations under the transaction documents. This document cannot be reproduced except in full, without prior written approval of the Company. Any unauthorized alteration, forgery or falsification of the content or appearance of this document is unlawful and offenders may be prosecuted to the fullest extent of the law.

5G NR n5_15kHz								
BW(MHz)	Modulation	RB Size	RB Offset	Conducted power (dBm)			Target Power + Max. Tolerance (dBm)	MPR Allowed per 3GPP(dB)
Frequency (MHz)				829	836.5	844		
Channel				166300	167300	168800		
10	Pi/2 BPSK	1	1	21.38	21.27	21.28	22.00	0.0
5G NR n5_15kHz								
BW(MHz)	Modulation	RB Size	RB Offset	Conducted power (dBm)			Target Power + Max. Tolerance (dBm)	MPR Allowed per 3GPP(dB)
Frequency (MHz)				826.5	836.5	846.5		
Channel				165300	167300	169300		
5	Pi/2 BPSK	1	1	21.21	21.28	21.41	22.00	0.0
5G NR n7_15kHz								
BW(MHz)	Modulation	RB Size	RB Offset	Conducted power (dBm)			Target Power + Max. Tolerance (dBm)	MPR Allowed per 3GPP(dB)
Frequency (MHz)				2510	2535	2560		
Channel				502000	507000	512000		
20	Pi/2 BPSK	1	1	16.69	16.56	16.71	17.50	0.0
		1	53	16.34	16.25	16.33	17.50	0.0
		1	104	16.41	16.27	16.44	17.50	0.0
		50	0	16.46	16.35	16.51	17.50	0.0
		50	28	16.41	16.32	16.33	17.50	0.0
		50	56	16.31	16.16	16.36	17.50	0.0
		100	0	16.33	16.19	16.47	17.50	0.0
	QPSK	1	1	16.40	16.27	16.45	17.50	0.0
		1	53	16.48	16.28	16.36	17.50	0.0
		1	104	16.49	16.18	16.36	17.50	0.0
		50	0	16.30	16.22	16.51	17.50	0.0
		50	28	16.34	16.23	16.36	17.50	0.0
		50	56	16.38	16.34	16.46	17.50	0.0
		100	0	16.42	16.25	16.47	17.50	0.0
	16-QAM	1	1	16.46	16.23	16.41	17.50	0.0
64QAM	1	1	16.34	16.17	16.40	17.50	0.0	
256-QAM	1	1	16.33	16.20	16.46	17.50	0.0	

Unless otherwise stated the results shown in this test report refer only to the sample(s) tested and such sample(s) are retained for 90 days only.

除非另有說明，此報告結果僅對測試之樣品負責，同時此樣品僅保留90天。本報告未經本公司書面許可，不可部份複製。

This document is issued by the Company subject to its General Conditions of Service printed overleaf, available on request or accessible at <http://www.sgs.com.tw/Terms-and-Conditions> and for electronic format documents, subject to Terms and Conditions for Electronic Documents at <http://www.sgs.com.tw/Terms-and-Conditions>. Attention is drawn to the limitation of liability, indemnification and jurisdiction issues defined therein. Any holder of this document is advised that information contained hereon reflects the Company's findings at the time of its intervention only and within the limits of Client's instructions, if any. The Company's sole responsibility is to its Client and this document does not exonerate parties to a transaction from exercising all their rights and obligations under the transaction documents. This document cannot be reproduced except in full, without prior written approval of the Company. Any unauthorized alteration, forgery or falsification of the content or appearance of this document is unlawful and offenders may be prosecuted to the fullest extent of the law.

5G NR n7_15kHz								
BW(MHz)	Modulation	RB Size	RB Offset	Conducted power (dBm)			Target Power + Max. Tolerance (dBm)	MPR Allowed per 3GPP(dB)
Frequency (MHz)				2507.5	2535	2562.5		
Channel				501500	507000	512500		
15	Pi/2 BPSK	1	1	16.36	16.31	16.51	17.50	0.0
5G NR n7_15kHz								
BW(MHz)	Modulation	RB Size	RB Offset	Conducted power (dBm)			Target Power + Max. Tolerance (dBm)	MPR Allowed per 3GPP(dB)
Frequency (MHz)				2505	2535	2565		
Channel				501000	507000	513000		
10	Pi/2 BPSK	1	1	16.37	16.28	16.44	17.50	0.0
5G NR n7_15kHz								
BW(MHz)	Modulation	RB Size	RB Offset	Conducted power (dBm)			Target Power + Max. Tolerance (dBm)	MPR Allowed per 3GPP(dB)
Frequency (MHz)				2502.5	2535	2567.5		
Channel				500500	507000	513500		
5	Pi/2 BPSK	1	1	16.31	16.18	16.33	17.50	0.0

Unless otherwise stated the results shown in this test report refer only to the sample(s) tested and such sample(s) are retained for 90 days only.

除非另有說明，此報告結果僅對測試之樣品負責，同時此樣品僅保留90天。本報告未經本公司書面許可，不可部份複製。

This document is issued by the Company subject to its General Conditions of Service printed overleaf, available on request or accessible at <http://www.sgs.com.tw/Terms-and-Conditions> and for electronic format documents, subject to Terms and Conditions for Electronic Documents at <http://www.sgs.com.tw/Terms-and-Conditions>. Attention is drawn to the limitation of liability, indemnification and jurisdiction issues defined therein. Any holder of this document is advised that information contained hereon reflects the Company's findings at the time of its intervention only and within the limits of Client's instructions, if any. The Company's sole responsibility is to its Client and this document does not exonerate parties to a transaction from exercising all their rights and obligations under the transaction documents. This document cannot be reproduced except in full, without prior written approval of the Company. Any unauthorized alteration, forgery or falsification of the content or appearance of this document is unlawful and offenders may be prosecuted to the fullest extent of the law.

5G NR n25_15kHz								
BW(MHz)	Modulation	RB Size	RB Offset	Conducted power (dBm)			Target Power + Max. Tolerance (dBm)	MPR Allowed per 3GPP(dB)
Frequency (MHz)				1860	1882.5	1905		
Channel				372000	376500	381000		
20	Pi/2 BPSK	1	1	16.51	16.46	16.44	17.50	0.0
		1	53	16.26	16.11	16.23	17.50	0.0
		1	104	16.22	16.14	16.17	17.50	0.0
		50	0	16.19	16.13	16.17	17.50	0.0
		50	28	16.14	16.11	16.18	17.50	0.0
		50	56	16.20	16.17	16.19	17.50	0.0
		100	0	16.18	16.22	16.23	17.50	0.0
	QPSK	1	1	16.19	16.06	16.06	17.50	0.0
		1	53	16.14	16.08	16.04	17.50	0.0
		1	104	16.26	16.07	16.14	17.50	0.0
		50	0	16.23	16.07	16.05	17.50	0.0
		50	28	16.29	16.13	16.05	17.50	0.0
		50	56	16.20	16.25	16.07	17.50	0.0
		100	0	16.30	16.15	16.11	17.50	0.0
	16-QAM	1	1	16.22	16.16	16.21	17.50	0.0
	64QAM	1	1	16.18	16.14	16.12	17.50	0.0
	256-QAM	1	1	16.27	16.11	16.23	17.50	0.0

5G NR n25_15kHz								
BW(MHz)	Modulation	RB Size	RB Offset	Conducted power (dBm)			Target Power + Max. Tolerance (dBm)	MPR Allowed per 3GPP(dB)
Frequency (MHz)				1857.5	1882.5	1907.5		
Channel				371500	376500	381500		
15	Pi/2 BPSK	1	1	16.26	16.21	16.16	17.50	0.0

5G NR n25_15kHz								
BW(MHz)	Modulation	RB Size	RB Offset	Conducted power (dBm)			Target Power + Max. Tolerance (dBm)	MPR Allowed per 3GPP(dB)
Frequency (MHz)				1855	1882.5	1910		
Channel				371000	376500	382000		
10	Pi/2 BPSK	1	1	16.14	16.13	16.14	17.50	0.0

Unless otherwise stated the results shown in this test report refer only to the sample(s) tested and such sample(s) are retained for 90 days only.

除非另有說明，此報告結果僅對測試之樣品負責，同時此樣品僅保留90天。本報告未經本公司書面許可，不可部份複製。

This document is issued by the Company subject to its General Conditions of Service printed overleaf, available on request or accessible at <http://www.sgs.com.tw/Terms-and-Conditions> and for electronic format documents, subject to Terms and Conditions for Electronic Documents at <http://www.sgs.com.tw/Terms-and-Conditions>. Attention is drawn to the limitation of liability, indemnification and jurisdiction issues defined therein. Any holder of this document is advised that information contained hereon reflects the Company's findings at the time of its intervention only and within the limits of Client's instructions, if any. The Company's sole responsibility is to its Client and this document does not exonerate parties to a transaction from exercising all their rights and obligations under the transaction documents. This document cannot be reproduced except in full, without prior written approval of the Company. Any unauthorized alteration, forgery or falsification of the content or appearance of this document is unlawful and offenders may be prosecuted to the fullest extent of the law.

5G NR n25_15kHz								
BW(MHz)	Modulation	RB Size	RB Offset	Conducted power (dBm)			Target Power + Max. Tolerance (dBm)	MPR Allowed per 3GPP(dB)
Frequency (MHz)				1852.5	1882.5	1912.5		
Channel				370500	376500	382500		
5	Pi/2 BPSK	1	1	16.14	16.23	16.23	17.50	0.0

Unless otherwise stated the results shown in this test report refer only to the sample(s) tested and such sample(s) are retained for 90 days only.

除非另有說明，此報告結果僅對測試之樣品負責，同時此樣品僅保留90天。本報告未經本公司書面許可，不可部份複製。

This document is issued by the Company subject to its General Conditions of Service printed overleaf, available on request or accessible at <http://www.sgs.com.tw/Terms-and-Conditions> and for electronic format documents, subject to Terms and Conditions for Electronic Documents at <http://www.sgs.com.tw/Terms-and-Conditions>. Attention is drawn to the limitation of liability, indemnification and jurisdiction issues defined therein. Any holder of this document is advised that information contained hereon reflects the Company's findings at the time of its intervention only and within the limits of Client's instructions, if any. The Company's sole responsibility is to its Client and this document does not exonerate parties to a transaction from exercising all their rights and obligations under the transaction documents. This document cannot be reproduced except in full, without prior written approval of the Company. Any unauthorized alteration, forgery or falsification of the content or appearance of this document is unlawful and offenders may be prosecuted to the fullest extent of the law.

SGS Taiwan Ltd.

No.134,Wu Kung Road, New Taipei Industrial Park, Wuku District, New Taipei City, Taiwan/新北市五股區新北產業園區五工路 134 號

台灣檢驗科技股份有限公司

t (886-2) 2299-3279

f (886-2) 2298-0488

www.sgs.com.tw

Member of SGS Group

5G NR n30_15kHz								
BW(MHz)	Modulation	RB Size	RB Offset	Conducted power (dBm)			Target Power + Max. Tolerance (dBm)	MPR Allowed per 3GPP(dB)
Frequency (MHz)					2310			
Channel					462000			
10	Pi/2 BPSK	1	1		17.07		18.00	0.0
		1	25		16.73		18.00	0.0
		1	49		16.72		18.00	0.0
		50	0		16.69		18.00	0.0
		50	12		16.73		18.00	0.0
		50	25		16.74		18.00	0.0
		100	0		16.78		18.00	0.0
	QPSK	1	1		16.87		18.00	0.0
		1	25		16.80		18.00	0.0
		1	49		16.73		18.00	0.0
		50	0		16.84		18.00	0.0
		50	12		16.68		18.00	0.0
		50	25		16.76		18.00	0.0
		100	0		16.70		18.00	0.0
	16-QAM	1	1		16.77		18.00	0.0
64QAM	1	1		16.80		18.00	0.0	
256-QAM	1	1		16.75		18.00	0.0	

5G NR n30_15kHz								
BW(MHz)	Modulation	RB Size	RB Offset	Conducted power (dBm)			Target Power + Max. Tolerance (dBm)	MPR Allowed per 3GPP(dB)
Frequency (MHz)					2310			
Channel					462000			
5	Pi/2 BPSK	1	1		17.06		18.00	0.0

Unless otherwise stated the results shown in this test report refer only to the sample(s) tested and such sample(s) are retained for 90 days only.

除非另有說明，此報告結果僅對測試之樣品負責，同時此樣品僅保留90天。本報告未經本公司書面許可，不可部份複製。

This document is issued by the Company subject to its General Conditions of Service printed overleaf, available on request or accessible at <http://www.sgs.com.tw/Terms-and-Conditions> and for electronic format documents, subject to Terms and Conditions for Electronic Documents at <http://www.sgs.com.tw/Terms-and-Conditions>. Attention is drawn to the limitation of liability, indemnification and jurisdiction issues defined therein. Any holder of this document is advised that information contained hereon reflects the Company's findings at the time of its intervention only and within the limits of Client's instructions, if any. The Company's sole responsibility is to its Client and this document does not exonerate parties to a transaction from exercising all their rights and obligations under the transaction documents. This document cannot be reproduced except in full, without prior written approval of the Company. Any unauthorized alteration, forgery or falsification of the content or appearance of this document is unlawful and offenders may be prosecuted to the fullest extent of the law.

5G NR n66_15kHz								
BW(MHz)	Modulation	RB Size	RB Offset	Conducted power (dBm)			Target Power + Max. Tolerance (dBm)	MPR Allowed per 3GPP(dB)
Frequency (MHz)				1720	1745	1770		
Channel				344000	349000	354000		
20	Pi/2 BPSK	1	1	17.71	17.85	17.56	18.50	0.0
		1	53	17.39	17.47	17.17	18.50	0.0
		1	104	17.37	17.63	17.25	18.50	0.0
		50	0	17.37	17.53	17.20	18.50	0.0
		50	28	17.46	17.53	17.27	18.50	0.0
		50	56	17.51	17.59	17.30	18.50	0.0
		100	0	17.47	17.65	17.22	18.50	0.0
	QPSK	1	1	17.38	17.60	17.32	18.50	0.0
		1	53	17.32	17.45	17.28	18.50	0.0
		1	104	17.42	17.51	17.18	18.50	0.0
		50	0	17.41	17.43	17.25	18.50	0.0
		50	28	17.35	17.48	17.30	18.50	0.0
		50	56	17.37	17.48	17.17	18.50	0.0
		100	0	17.34	17.47	17.35	18.50	0.0
	16-QAM	1	1	17.31	17.47	17.31	18.50	0.0
	64QAM	1	1	17.33	17.49	17.30	18.50	0.0
	256-QAM	1	1	17.44	17.58	17.20	18.50	0.0

5G NR n66_15kHz								
BW(MHz)	Modulation	RB Size	RB Offset	Conducted power (dBm)			Target Power + Max. Tolerance (dBm)	MPR Allowed per 3GPP(dB)
Frequency (MHz)				1717.5	1745	1772.5		
Channel				343500	349000	354500		
15	Pi/2 BPSK	1	1	17.46	17.55	17.30	18.50	0.0

Unless otherwise stated the results shown in this test report refer only to the sample(s) tested and such sample(s) are retained for 90 days only.

除非另有說明，此報告結果僅對測試之樣品負責，同時此樣品僅保留90天。本報告未經本公司書面許可，不可部份複製。

This document is issued by the Company subject to its General Conditions of Service printed overleaf, available on request or accessible at <http://www.sgs.com.tw/Terms-and-Conditions> and for electronic format documents, subject to Terms and Conditions for Electronic Documents at <http://www.sgs.com.tw/Terms-and-Conditions>. Attention is drawn to the limitation of liability, indemnification and jurisdiction issues defined therein. Any holder of this document is advised that information contained hereon reflects the Company's findings at the time of its intervention only and within the limits of Client's instructions, if any. The Company's sole responsibility is to its Client and this document does not exonerate parties to a transaction from exercising all their rights and obligations under the transaction documents. This document cannot be reproduced except in full, without prior written approval of the Company. Any unauthorized alteration, forgery or falsification of the content or appearance of this document is unlawful and offenders may be prosecuted to the fullest extent of the law.

SGS Taiwan Ltd. No.134,Wu Kung Road, New Taipei Industrial Park, Wuku District, New Taipei City, Taiwan/新北市五股區新北產業園區五工路 134 號

5G NR n66_15kHz								
BW(MHz)	Modulation	RB Size	RB Offset	Conducted power (dBm)			Target Power + Max. Tolerance (dBm)	MPR Allowed per 3GPP(dB)
Frequency (MHz)				1715	1745	1775		
Channel				343000	349000	355000		
10	Pi/2 BPSK	1	1	17.32	17.60	17.24	18.50	0.0
5G NR n66_15kHz								
BW(MHz)	Modulation	RB Size	RB Offset	Conducted power (dBm)			Target Power + Max. Tolerance (dBm)	MPR Allowed per 3GPP(dB)
Frequency (MHz)				1712.5	1745	1777.5		
Channel				342500	349000	355500		
5	Pi/2 BPSK	1	1	17.39	17.57	17.20	18.50	0.0
5G NR n71_15kHz								
BW(MHz)	Modulation	RB Size	RB Offset	Conducted power (dBm)			Target Power + Max. Tolerance (dBm)	MPR Allowed per 3GPP(dB)
Frequency (MHz)				673	680.5	688		
Channel				134600	136100	137600		
20	Pi/2 BPSK	1	1	22.81	22.79	22.77	23.00	0.0
		1	53	22.39	22.55	22.43	23.00	0.0
		1	104	22.47	22.53	22.50	23.00	0.0
		50	0	22.49	22.47	22.46	23.00	0.0
		50	28	22.47	22.45	22.36	23.00	0.0
		50	56	22.41	22.41	22.45	23.00	0.0
		100	0	22.45	22.42	22.35	23.00	0.0
	QPSK	1	1	22.38	22.37	22.41	23.00	0.0
		1	53	22.54	22.54	22.53	23.00	0.0
		1	104	22.40	22.38	22.51	23.00	0.0
		50	0	22.30	22.34	22.21	23.00	0.0
		50	28	22.32	22.23	22.21	23.00	0.0
		50	56	22.25	22.29	22.31	23.00	0.0
		100	0	22.19	22.18	22.26	23.00	0.0
	16-QAM	1	1	22.27	22.22	22.25	23.00	0.0
64QAM	1	1	22.28	22.30	22.26	23.00	0.0	
256-QAM	1	1	22.28	22.33	22.25	23.00	0.0	

Unless otherwise stated the results shown in this test report refer only to the sample(s) tested and such sample(s) are retained for 90 days only.

除非另有說明，此報告結果僅對測試之樣品負責，同時此樣品僅保留90天。本報告未經本公司書面許可，不可部份複製。

This document is issued by the Company subject to its General Conditions of Service printed overleaf, available on request or accessible at <http://www.sgs.com.tw/Terms-and-Conditions> and for electronic format documents, subject to Terms and Conditions for Electronic Documents at <http://www.sgs.com.tw/Terms-and-Conditions>. Attention is drawn to the limitation of liability, indemnification and jurisdiction issues defined therein. Any holder of this document is advised that information contained hereon reflects the Company's findings at the time of its intervention only and within the limits of Client's instructions, if any. The Company's sole responsibility is to its Client and this document does not exonerate parties to a transaction from exercising all their rights and obligations under the transaction documents. This document cannot be reproduced except in full, without prior written approval of the Company. Any unauthorized alteration, forgery or falsification of the content or appearance of this document is unlawful and offenders may be prosecuted to the fullest extent of the law.

5G NR n71_15kHz								
BW(MHz)	Modulation	RB Size	RB Offset	Conducted power (dBm)			Target Power + Max. Tolerance (dBm)	MPR Allowed per 3GPP(dB)
Frequency (MHz)				670.5	680.5	690.5		
Channel				134100	136100	138100		
15	Pi/2 BPSK	1	1	22.42	22.36	22.45	23.00	0.0
5G NR n71_15kHz								
BW(MHz)	Modulation	RB Size	RB Offset	Conducted power (dBm)			Target Power + Max. Tolerance (dBm)	MPR Allowed per 3GPP(dB)
Frequency (MHz)				668	680.5	693		
Channel				133600	136100	138600		
10	Pi/2 BPSK	1	1	22.47	22.43	22.49	23.00	0.0
5G NR n71_15kHz								
BW(MHz)	Modulation	RB Size	RB Offset	Conducted power (dBm)			Target Power + Max. Tolerance (dBm)	MPR Allowed per 3GPP(dB)
Frequency (MHz)				665.5	680.5	695.5		
Channel				133100	136100	139100		
5	Pi/2 BPSK	1	1	22.39	22.47	22.47	23.00	0.0

Unless otherwise stated the results shown in this test report refer only to the sample(s) tested and such sample(s) are retained for 90 days only.

除非另有說明，此報告結果僅對測試之樣品負責，同時此樣品僅保留90天。本報告未經本公司書面許可，不可部份複製。

This document is issued by the Company subject to its General Conditions of Service printed overleaf, available on request or accessible at <http://www.sgs.com.tw/Terms-and-Conditions> and for electronic format documents, subject to Terms and Conditions for Electronic Documents at <http://www.sgs.com.tw/Terms-and-Conditions>. Attention is drawn to the limitation of liability, indemnification and jurisdiction issues defined therein. Any holder of this document is advised that information contained hereon reflects the Company's findings at the time of its intervention only and within the limits of Client's instructions, if any. The Company's sole responsibility is to its Client and this document does not exonerate parties to a transaction from exercising all their rights and obligations under the transaction documents. This document cannot be reproduced except in full, without prior written approval of the Company. Any unauthorized alteration, forgery or falsification of the content or appearance of this document is unlawful and offenders may be prosecuted to the fullest extent of the law.

ANT 8

5G NR n2_15kHz									
BW(MHz)	Modulation	RB Size	RB Offset	Conducted power (dBm)			Target Power + Max. Tolerance (dBm)	MPR Allowed per 3GPP(dB)	
Frequency (MHz)				1860	1880	1900			
Channel				372000	376000	380000			
20	Pi/2 BPSK	1	1	20.40	20.44	20.46	20.50	0.0	
		1	53	20.30	20.19	20.30	20.50	0.0	
		1	104	20.33	20.32	20.36	20.50	0.0	
		50	0	20.37	20.25	20.41	20.50	0.0	
		50	28	20.27	20.28	20.28	20.50	0.0	
		50	56	20.20	20.39	20.29	20.50	0.0	
	QPSK	100	0	20.33	20.20	20.37	20.50	0.0	
		1	1	20.37	20.23	20.33	20.50	0.0	
		1	53	20.21	20.31	20.31	20.50	0.0	
		1	104	20.27	20.24	20.21	20.50	0.0	
		50	0	20.39	20.30	20.34	20.50	0.0	
		50	28	20.19	20.30	20.25	20.50	0.0	
	16-QAM	50	56	20.21	20.37	20.38	20.50	0.0	
		100	0	20.37	20.26	20.38	20.50	0.0	
		16-QAM	1	1	20.22	20.19	20.26	20.50	0.0
		64QAM	1	1	20.21	20.12	20.15	20.50	0.0
256-QAM	1	1	20.18	20.09	20.06	20.50	0.0		

5G NR n2_15kHz								
BW(MHz)	Modulation	RB Size	RB Offset	Conducted power (dBm)			Target Power + Max. Tolerance (dBm)	MPR Allowed per 3GPP(dB)
Frequency (MHz)				1857.5	1880	1902.5		
Channel				371500	376000	380500		
15	Pi/2 BPSK	1	1	20.24	20.25	20.30	20.50	0.0

5G NR n2_15kHz								
BW(MHz)	Modulation	RB Size	RB Offset	Conducted power (dBm)			Target Power + Max. Tolerance (dBm)	MPR Allowed per 3GPP(dB)
Frequency (MHz)				1855	1880	1905		
Channel				371000	376000	381000		
10	Pi/2 BPSK	1	1	20.15	20.20	20.17	20.50	0.0

Unless otherwise stated the results shown in this test report refer only to the sample(s) tested and such sample(s) are retained for 90 days only.

除非另有說明，此報告結果僅對測試之樣品負責，同時此樣品僅保留90天。本報告未經本公司書面許可，不可部份複製。

This document is issued by the Company subject to its General Conditions of Service printed overleaf, available on request or accessible at <http://www.sgs.com.tw/Terms-and-Conditions> and for electronic format documents, subject to Terms and Conditions for Electronic Documents at <http://www.sgs.com.tw/Terms-and-Conditions>. Attention is drawn to the limitation of liability, indemnification and jurisdiction issues defined therein. Any holder of this document is advised that information contained hereon reflects the Company's findings at the time of its intervention only and within the limits of Client's instructions, if any. The Company's sole responsibility is to its Client and this document does not exonerate parties to a transaction from exercising all their rights and obligations under the transaction documents. This document cannot be reproduced except in full, without prior written approval of the Company. Any unauthorized alteration, forgery or falsification of the content or appearance of this document is unlawful and offenders may be prosecuted to the fullest extent of the law.

5G NR n2_15kHz								
BW(MHz)	Modulation	RB Size	RB Offset	Conducted power (dBm)			Target Power + Max. Tolerance (dBm)	MPR Allowed per 3GPP(dB)
Frequency (MHz)				1852.5	1880	1907.5		
Channel				370500	376000	381500		
5	Pi/2 BPSK	1	1	20.15	20.13	20.26	20.50	0.0
5G NR n66_15kHz								
BW(MHz)	Modulation	RB Size	RB Offset	Conducted power (dBm)			Target Power + Max. Tolerance (dBm)	MPR Allowed per 3GPP(dB)
Frequency (MHz)				1720	1745	1770		
Channel				344000	349000	354000		
20	Pi/2 BPSK	1	1	20.60	20.65	20.54	21.00	0.0
		1	53	20.57	20.44	20.59	21.00	0.0
		1	104	20.46	20.59	20.51	21.00	0.0
		50	0	20.52	20.52	20.55	21.00	0.0
		50	28	20.54	20.55	20.63	21.00	0.0
		50	56	20.47	20.45	20.46	21.00	0.0
		100	0	20.51	20.45	20.52	21.00	0.0
	QPSK	1	1	20.50	20.61	20.45	21.00	0.0
		1	53	20.44	20.59	20.45	21.00	0.0
		1	104	20.57	20.60	20.62	21.00	0.0
		50	0	20.58	20.55	20.59	21.00	0.0
		50	28	20.50	20.46	20.60	21.00	0.0
		50	56	20.62	20.50	20.57	21.00	0.0
		100	0	20.51	20.43	20.54	21.00	0.0
	16-QAM	1	1	20.45	20.47	20.60	21.00	0.0
64QAM	1	1	20.57	20.47	20.60	21.00	0.0	
256-QAM	1	1	20.62	20.54	20.50	21.00	0.0	
5G NR n66_15kHz								
BW(MHz)	Modulation	RB Size	RB Offset	Conducted power (dBm)			Target Power + Max. Tolerance (dBm)	MPR Allowed per 3GPP(dB)
Frequency (MHz)				1717.5	1745	1772.5		
Channel				343500	349000	354500		
15	Pi/2 BPSK	1	1	20.57	20.62	20.53	21.00	0.0

Unless otherwise stated the results shown in this test report refer only to the sample(s) tested and such sample(s) are retained for 90 days only.

除非另有說明，此報告結果僅對測試之樣品負責，同時此樣品僅保留90天。本報告未經本公司書面許可，不可部份複製。

This document is issued by the Company subject to its General Conditions of Service printed overleaf, available on request or accessible at <http://www.sgs.com.tw/Terms-and-Conditions> and for electronic format documents, subject to Terms and Conditions for Electronic Documents at <http://www.sgs.com.tw/Terms-and-Conditions>. Attention is drawn to the limitation of liability, indemnification and jurisdiction issues defined therein. Any holder of this document is advised that information contained hereon reflects the Company's findings at the time of its intervention only and within the limits of Client's instructions, if any. The Company's sole responsibility is to its Client and this document does not exonerate parties to a transaction from exercising all their rights and obligations under the transaction documents. This document cannot be reproduced except in full, without prior written approval of the Company. Any unauthorized alteration, forgery or falsification of the content or appearance of this document is unlawful and offenders may be prosecuted to the fullest extent of the law.

5G NR n66_15kHz								
BW(MHz)	Modulation	RB Size	RB Offset	Conducted power (dBm)			Target Power + Max. Tolerance (dBm)	MPR Allowed per 3GPP(dB)
Frequency (MHz)				1715	1745	1775		
Channel				343000	349000	355000		
10	Pi/2 BPSK	1	1	20.55	20.59	20.50	21.00	0.0
5G NR n66_15kHz								
BW(MHz)	Modulation	RB Size	RB Offset	Conducted power (dBm)			Target Power + Max. Tolerance (dBm)	MPR Allowed per 3GPP(dB)
Frequency (MHz)				1712.5	1745	1777.5		
Channel				342500	349000	355500		
5	Pi/2 BPSK	1	1	20.51	20.55	20.46	21.00	0.0

Unless otherwise stated the results shown in this test report refer only to the sample(s) tested and such sample(s) are retained for 90 days only.

除非另有說明，此報告結果僅對測試之樣品負責，同時此樣品僅保留90天。本報告未經本公司書面許可，不可部份複製。

This document is issued by the Company subject to its General Conditions of Service printed overleaf, available on request or accessible at <http://www.sgs.com.tw/Terms-and-Conditions> and for electronic format documents, subject to Terms and Conditions for Electronic Documents at <http://www.sgs.com.tw/Terms-and-Conditions>. Attention is drawn to the limitation of liability, indemnification and jurisdiction issues defined therein. Any holder of this document is advised that information contained hereon reflects the Company's findings at the time of its intervention only and within the limits of Client's instructions, if any. The Company's sole responsibility is to its Client and this document does not exonerate parties to a transaction from exercising all their rights and obligations under the transaction documents. This document cannot be reproduced except in full, without prior written approval of the Company. Any unauthorized alteration, forgery or falsification of the content or appearance of this document is unlawful and offenders may be prosecuted to the fullest extent of the law.

6.8 TDD NR

ANT 5

5G NR n38_30kHz									
BW(MHz)	Modulation	RB Size	RB Offset	Conducted power (dBm)			Target Power + Max. Tolerance (dBm)	MPR Allowed per 3GPP(dB)	
Frequency (MHz)				2580	2595	2610			
Channel				516000	519000	522000			
20	Pi/2 BPSK	1	1	17.21	17.25	17.13	17.50	0.0	
		1	53	17.07	17.09	17.02	17.50	0.0	
		1	104	17.05	17.01	17.06	17.50	0.0	
		50	0	17.10	17.01	17.02	17.50	0.0	
		50	28	17.04	17.05	17.01	17.50	0.0	
		50	56	17.11	17.09	17.06	17.50	0.0	
	QPSK	100	0	17.03	17.04	17.05	17.50	0.0	
		1	1	17.09	17.02	17.10	17.50	0.0	
		1	53	17.09	17.06	17.07	17.50	0.0	
		1	104	17.09	17.01	17.05	17.50	0.0	
		50	0	17.04	17.02	17.03	17.50	0.0	
		50	28	17.02	17.06	17.07	17.50	0.0	
	16-QAM	50	56	17.10	17.06	17.01	17.50	0.0	
		100	0	17.08	17.11	17.01	17.50	0.0	
		16-QAM	1	1	17.07	17.07	17.06	17.50	0.0
		64QAM	1	1	17.09	17.03	17.09	17.50	0.0
		256-QAM	1	1	17.04	17.05	17.07	17.50	0.0

5G NR n38_30kHz								
BW(MHz)	Modulation	RB Size	RB Offset	Conducted power (dBm)			Target Power + Max. Tolerance (dBm)	MPR Allowed per 3GPP(dB)
Frequency (MHz)				2577.5	2595	2612.5		
Channel				515500	519000	522500		
15	Pi/2 BPSK	1	1	17.08	17.09	17.11	17.50	0.0

5G NR n38_30kHz								
BW(MHz)	Modulation	RB Size	RB Offset	Conducted power (dBm)			Target Power + Max. Tolerance (dBm)	MPR Allowed per 3GPP(dB)
Frequency (MHz)				2575	2595	2615		
Channel				515000	519000	523000		
10	Pi/2 BPSK	1	1	17.09	17.07	17.03	17.50	0.0

Unless otherwise stated the results shown in this test report refer only to the sample(s) tested and such sample(s) are retained for 90 days only.

除非另有說明，此報告結果僅對測試之樣品負責，同時此樣品僅保留90天。本報告未經本公司書面許可，不可部份複製。

This document is issued by the Company subject to its General Conditions of Service printed overleaf, available on request or accessible at <http://www.sgs.com.tw/Terms-and-Conditions> and for electronic format documents, subject to Terms and Conditions for Electronic Documents at <http://www.sgs.com.tw/Terms-and-Conditions>. Attention is drawn to the limitation of liability, indemnification and jurisdiction issues defined therein. Any holder of this document is advised that information contained hereon reflects the Company's findings at the time of its intervention only and within the limits of Client's instructions, if any. The Company's sole responsibility is to its Client and this document does not exonerate parties to a transaction from exercising all their rights and obligations under the transaction documents. This document cannot be reproduced except in full, without prior written approval of the Company. Any unauthorized alteration, forgery or falsification of the content or appearance of this document is unlawful and offenders may be prosecuted to the fullest extent of the law.

5G NR n41_30kHz								
BW(MHz)	Modulation	RB Size	RB Offset	Conducted power (dBm)			Target Power + Max. Tolerance (dBm)	MPR Allowed per 3GPP(dB)
Frequency (MHz)				2546.01	2592.99	2640		
Channel				509202	518598	528000		
100	Pi/2 BPSK	1	1	17.40	17.36	17.30	17.50	0.0
		1	137	17.30	17.25	17.23	17.50	0.0
		1	271	17.22	17.11	17.13	17.50	0.0
		135	0	17.34	17.31	17.28	17.50	0.0
		135	69	17.15	17.11	17.17	17.50	0.0
		135	138	17.17	17.25	17.24	17.50	0.0
		270	0	17.23	17.13	17.28	17.50	0.0
	QPSK	1	1	17.23	17.20	17.25	17.50	0.0
		1	137	17.15	17.21	17.18	17.50	0.0
		1	271	17.26	17.17	17.25	17.50	0.0
		135	0	17.25	17.23	17.25	17.50	0.0
		135	69	17.31	17.26	17.21	17.50	0.0
		135	138	17.30	17.24	17.24	17.50	0.0
		270	0	17.29	17.20	17.23	17.50	0.0
	16-QAM	1	1	17.25	17.13	17.14	17.50	0.0
	64QAM	1	1	17.24	17.15	17.20	17.50	0.0
256-QAM	1	1	17.14	17.22	17.26	17.50	0.0	

5G NR n41_30kHz								
BW(MHz)	Modulation	RB Size	RB Offset	Conducted power (dBm)			Target Power + Max. Tolerance (dBm)	MPR Allowed per 3GPP(dB)
Frequency (MHz)				2541	2592.99	2644.98		
Channel				508200	518598	528996		
90	Pi/2 BPSK	1	1	17.20	17.31	17.24	17.50	0.0

5G NR n41_30kHz								
BW(MHz)	Modulation	RB Size	RB Offset	Conducted power (dBm)			Target Power + Max. Tolerance (dBm)	MPR Allowed per 3GPP(dB)
Frequency (MHz)				2536.02	2592.99	2649.99		
Channel				507204	518598	529998		
80	Pi/2 BPSK	1	1	17.17	17.15	17.21	17.50	0.0

Unless otherwise stated the results shown in this test report refer only to the sample(s) tested and such sample(s) are retained for 90 days only.

除非另有說明，此報告結果僅對測試之樣品負責，同時此樣品僅保留90天。本報告未經本公司書面許可，不可部份複製。

This document is issued by the Company subject to its General Conditions of Service printed overleaf, available on request or accessible at <http://www.sgs.com.tw/Terms-and-Conditions> and for electronic format documents, subject to Terms and Conditions for Electronic Documents at <http://www.sgs.com.tw/Terms-and-Conditions>. Attention is drawn to the limitation of liability, indemnification and jurisdiction issues defined therein. Any holder of this document is advised that information contained hereon reflects the Company's findings at the time of its intervention only and within the limits of Client's instructions, if any. The Company's sole responsibility is to its Client and this document does not exonerate parties to a transaction from exercising all their rights and obligations under the transaction documents. This document cannot be reproduced except in full, without prior written approval of the Company. Any unauthorized alteration, forgery or falsification of the content or appearance of this document is unlawful and offenders may be prosecuted to the fullest extent of the law.

5G NR n41_30kHz								
BW(MHz)	Modulation	RB Size	RB Offset	Conducted power (dBm)			Target Power + Max. Tolerance (dBm)	MPR Allowed per 3GPP(dB)
Frequency (MHz)				2526	2592.99	2659.98		
Channel				505200	518598	531996		
60	Pi/2 BPSK	1	1	16.95	17.03	16.96	17.50	0.0
5G NR n41_30kHz								
BW(MHz)	Modulation	RB Size	RB Offset	Conducted power (dBm)			Target Power + Max. Tolerance (dBm)	MPR Allowed per 3GPP(dB)
Frequency (MHz)				2521.02	2592.99	2664.99		
Channel				504204	518598	532998		
50	Pi/2 BPSK	1	1	16.98	16.93	17.01	17.50	0.0
5G NR n41_30kHz								
BW(MHz)	Modulation	RB Size	RB Offset	Conducted power (dBm)			Target Power + Max. Tolerance (dBm)	MPR Allowed per 3GPP(dB)
Frequency (MHz)				2516.01	2592.99	2670		
Channel				503202	518598	534000		
40	Pi/2 BPSK	1	1	16.98	16.93	16.96	17.50	0.0
5G NR n41_30kHz								
BW(MHz)	Modulation	RB Size	RB Offset	Conducted power (dBm)			Target Power + Max. Tolerance (dBm)	MPR Allowed per 3GPP(dB)
Frequency (MHz)				2506.02	2592.99	2679.99		
Channel				501204	518598	535998		
20	Pi/2 BPSK	1	1	16.95	16.94	16.96	17.50	0.0

Unless otherwise stated the results shown in this test report refer only to the sample(s) tested and such sample(s) are retained for 90 days only.

除非另有說明，此報告結果僅對測試之樣品負責，同時此樣品僅保留90天。本報告未經本公司書面許可，不可部份複製。

This document is issued by the Company subject to its General Conditions of Service printed overleaf, available on request or accessible at <http://www.sgs.com.tw/Terms-and-Conditions> and for electronic format documents, subject to Terms and Conditions for Electronic Documents at <http://www.sgs.com.tw/Terms-and-Conditions>. Attention is drawn to the limitation of liability, indemnification and jurisdiction issues defined therein. Any holder of this document is advised that information contained hereon reflects the Company's findings at the time of its intervention only and within the limits of Client's instructions, if any. The Company's sole responsibility is to its Client and this document does not exonerate parties to a transaction from exercising all their rights and obligations under the transaction documents. This document cannot be reproduced except in full, without prior written approval of the Company. Any unauthorized alteration, forgery or falsification of the content or appearance of this document is unlawful and offenders may be prosecuted to the fullest extent of the law.

5G NR n77_30kHz_FCC										
BW(MHz)	Modulation	RB Size	RB Offset	Conducted power (dBm)					Target Power + Max. Tolerance (dBm)	MPR Allowed per 3GPP(dB)
Frequency (MHz)			3750	3795	3840	3885	3930			
Channel			650000	653000	656000	659000	662000			
100	Pi/2 BPSK	1	1	14.95	14.85	14.98	14.89	14.97	15.00	0.0
		1	137	14.79	14.75	14.83	14.78	14.84	15.00	0.0
		1	272	14.81	14.79	14.77	14.83	14.81	15.00	0.0
		135	0	14.89	14.84	14.92	14.85	14.90	15.00	0.0
		135	69	14.82	14.83	14.73	14.76	14.80	15.00	0.0
		135	138	14.83	14.79	14.75	14.75	14.83	15.00	0.0
	QPSK	270	0	14.78	14.80	14.75	14.76	14.75	15.00	0.0
		1	1	14.79	14.83	14.78	14.76	14.77	15.00	0.0
		1	137	14.82	14.77	14.81	14.79	14.81	15.00	0.0
		1	272	14.80	14.82	14.81	14.76	14.83	15.00	0.0
		135	0	14.84	14.80	14.83	14.81	14.80	15.00	0.0
		135	69	14.82	14.76	14.81	14.81	14.81	15.00	0.0
	16-QAM	135	138	14.79	14.83	14.81	14.82	14.79	15.00	0.0
		270	0	14.82	14.78	14.78	14.76	14.82	15.00	0.0
		1	1	14.76	14.83	14.77	14.83	14.81	15.00	0.0
	64QAM	1	1	14.82	14.75	14.83	14.81	14.79	15.00	0.0
	256-QAM	1	1	14.81	14.84	14.82	14.82	14.78	15.00	0.0
	5G NR n77_30kHz_FCC									
BW(MHz)	Modulation	RB Size	RB Offset	Conducted power (dBm)					Target Power + Max. Tolerance (dBm)	MPR Allowed per 3GPP(dB)
Frequency (MHz)			3744.99	3792.51	3840	3887.49	3935.01			
Channel			649666	652834	656000	659166	662334			
90	Pi/2 BPSK	1	1	14.87	14.83	14.91	14.85	14.90	15.00	0.0
5G NR n77_30kHz_FCC										
BW(MHz)	Modulation	RB Size	RB Offset	Conducted power (dBm)					Target Power + Max. Tolerance (dBm)	MPR Allowed per 3GPP(dB)
Frequency (MHz)			3740.01	3789.99	3840	3890.01	3939.99			
Channel			649334	652666	656000	659334	662666			
80	Pi/2 BPSK	1	1	14.73	14.66	14.72	14.69	14.71	15.00	0.0

Unless otherwise stated the results shown in this test report refer only to the sample(s) tested and such sample(s) are retained for 90 days only.

除非另有說明，此報告結果僅對測試之樣品負責，同時此樣品僅保留90天。本報告未經本公司書面許可，不可部份複製。

This document is issued by the Company subject to its General Conditions of Service printed overleaf, available on request or accessible at <http://www.sgs.com.tw/Terms-and-Conditions> and for electronic format documents, subject to Terms and Conditions for Electronic Documents at <http://www.sgs.com.tw/Terms-and-Conditions>. Attention is drawn to the limitation of liability, indemnification and jurisdiction issues defined therein. Any holder of this document is advised that information contained hereon reflects the Company's findings at the time of its intervention only and within the limits of Client's instructions, if any. The Company's sole responsibility is to its Client and this document does not exonerate parties to a transaction from exercising all their rights and obligations under the transaction documents. This document cannot be reproduced except in full, without prior written approval of the Company. Any unauthorized alteration, forgery or falsification of the content or appearance of this document is unlawful and offenders may be prosecuted to the fullest extent of the law.

5G NR n77_30kHz_FCC										
BW(MHz)	Modulation	RB Size	RB Offset	Conducted power (dBm)					Target Power + Max. Tolerance (dBm)	MPR Allowed per 3GPP(dB)
Frequency (MHz)				3729.99	3785.01	3840	3894.99	3950.01		
Channel				648666	652334	656000	659666	663334		
60	Pi/2 BPSK	1	1	14.72	14.73	14.75	14.71	14.67	15.00	0.0

5G NR n77_30kHz_FCC										
BW(MHz)	Modulation	RB Size	RB Offset	Conducted power (dBm)					Target Power + Max. Tolerance (dBm)	MPR Allowed per 3GPP(dB)
Frequency (MHz)				3725.01	3782.49	3840	3897.51	3954.99		
Channel				648334	652166	656000	659834	663666		
50	Pi/2 BPSK	1	1	14.70	14.72	14.74	14.71	14.74	15.00	0.0

5G NR n77_30kHz_FCC										
BW(MHz)	Modulation	RB Size	RB Offset	Conducted power (dBm)					Target Power + Max. Tolerance (dBm)	MPR Allowed per 3GPP(dB)
Frequency (MHz)				3720	3780	3840	3900	3960		
Channel				648000	652000	656000	660000	664000		
40	Pi/2 BPSK	1	1	14.58	14.50	14.51	14.52	14.58	15.00	0.0

5G NR n77_30kHz_FCC										
BW(MHz)	Modulation	RB Size	RB Offset	Conducted power (dBm)					Target Power + Max. Tolerance (dBm)	MPR Allowed per 3GPP(dB)
Frequency (MHz)				3710.01	3774.99	3840	3903.99	3969.99		
Channel				647334	651666	656000	660266	664666		
20	Pi/2 BPSK	1	1	14.54	14.57	14.54	14.55	14.49	15.00	0.0

5G NR n77_30kHz_FCC										
BW(MHz)	Modulation	RB Size	RB Offset	Conducted power (dBm)					Target Power + Max. Tolerance (dBm)	MPR Allowed per 3GPP(dB)
Frequency (MHz)				3707.52	3773.76	3840	3906.24	3972.51		
Channel				647168	651584	656000	660416	664834		
15	Pi/2 BPSK	1	1	14.40	14.48	14.51	14.39	14.33	15.00	0.0

5G NR n77_30kHz_FCC										
BW(MHz)	Modulation	RB Size	RB Offset	Conducted power (dBm)					Target Power + Max. Tolerance (dBm)	MPR Allowed per 3GPP(dB)
Frequency (MHz)				3705	3772.5	3840	3907.5	3975		
Channel				647000	651500	656000	660500	665000		
10	Pi/2 BPSK	1	1	14.28	14.34	14.52	14.36	14.27	15.00	0.0

Unless otherwise stated the results shown in this test report refer only to the sample(s) tested and such sample(s) are retained for 90 days only.

除非另有說明，此報告結果僅對測試之樣品負責，同時此樣品僅保留90天。本報告未經本公司書面許可，不可部份複製。

This document is issued by the Company subject to its General Conditions of Service printed overleaf, available on request or accessible at <http://www.sgs.com.tw/Terms-and-Conditions> and for electronic format documents, subject to Terms and Conditions for Electronic Documents at <http://www.sgs.com.tw/Terms-and-Conditions>. Attention is drawn to the limitation of liability, indemnification and jurisdiction issues defined therein. Any holder of this document is advised that information contained hereon reflects the Company's findings at the time of its intervention only and within the limits of Client's instructions, if any. The Company's sole responsibility is to its Client and this document does not exonerate parties to a transaction from exercising all their rights and obligations under the transaction documents. This document cannot be reproduced except in full, without prior written approval of the Company. Any unauthorized alteration, forgery or falsification of the content or appearance of this document is unlawful and offenders may be prosecuted to the fullest extent of the law.

5G NR n77 & n78_30kHz_FCC								
BW(MHz)	Modulation	RB Size	RB Offset	Conducted power (dBm)			Target Power + Max. Tolerance (dBm)	MPR Allowed per 3GPP(dB)
Frequency (MHz)					3499.995			
Channel					633333			
100	Pi/2 BPSK	1	1		15.36		15.50	0.0
		1	137		15.23		15.50	0.0
		1	272		15.18		15.50	0.0
		135	0		15.31		15.50	0.0
		135	69		15.21		15.50	0.0
		135	138		15.19		15.50	0.0
		270	0		15.19		15.50	0.0
	QPSK	1	1		15.24		15.50	0.0
		1	137		15.16		15.50	0.0
		1	272		15.15		15.50	0.0
		135	0		15.18		15.50	0.0
		135	69		15.25		15.50	0.0
		135	138		15.15		15.50	0.0
		270	0		15.19		15.50	0.0
	16-QAM	1	1		15.17		15.50	0.0
64QAM	1	1		15.16		15.50	0.0	
256-QAM	1	1		15.25		15.50	0.0	

5G NR n77 & n78_30kHz_FCC								
BW(MHz)	Modulation	RB Size	RB Offset	Conducted power (dBm)			Target Power + Max. Tolerance (dBm)	MPR Allowed per 3GPP(dB)
Frequency (MHz)				3495	3499.995	3504.99		
Channel				633000	633333	633666		
90	Pi/2 BPSK	1	1	15.28	15.34	15.25	15.50	0.0

5G NR n77 & n78_30kHz_FCC								
BW(MHz)	Modulation	RB Size	RB Offset	Conducted power (dBm)			Target Power + Max. Tolerance (dBm)	MPR Allowed per 3GPP(dB)
Frequency (MHz)				3490.005	3499.995	3510		
Channel				632667	633333	634000		
80	Pi/2 BPSK	1	1	15.23	15.17	15.21	15.50	0.0

Unless otherwise stated the results shown in this test report refer only to the sample(s) tested and such sample(s) are retained for 90 days only.

除非另有說明，此報告結果僅對測試之樣品負責，同時此樣品僅保留90天。本報告未經本公司書面許可，不可部份複製。

This document is issued by the Company subject to its General Conditions of Service printed overleaf, available on request or accessible at <http://www.sgs.com.tw/Terms-and-Conditions> and for electronic format documents, subject to Terms and Conditions for Electronic Documents at <http://www.sgs.com.tw/Terms-and-Conditions>. Attention is drawn to the limitation of liability, indemnification and jurisdiction issues defined therein. Any holder of this document is advised that information contained hereon reflects the Company's findings at the time of its intervention only and within the limits of Client's instructions, if any. The Company's sole responsibility is to its Client and this document does not exonerate parties to a transaction from exercising all their rights and obligations under the transaction documents. This document cannot be reproduced except in full, without prior written approval of the Company. Any unauthorized alteration, forgery or falsification of the content or appearance of this document is unlawful and offenders may be prosecuted to the fullest extent of the law.

5G NR n77 & n78_30kHz_FCC										
BW(MHz)	Modulation	RB Size	RB Offset	Conducted power (dBm)			Target Power + Max. Tolerance (dBm)	MPR Allowed per 3GPP(dB)		
Frequency (MHz)				3480	3499.995	3519.99				
Channel				632000	633333	634666				
60	Pi/2 BPSK	1	1	15.17	15.14	15.19	15.50	0.0		
5G NR n77 & n78_30kHz_FCC										
BW(MHz)	Modulation	RB Size	RB Offset	Conducted power (dBm)			Target Power + Max. Tolerance (dBm)	MPR Allowed per 3GPP(dB)		
Frequency (MHz)				3475.005	3499.995	3525				
Channel				631667	633333	635000				
50	Pi/2 BPSK	1	1	15.01	14.93	14.98	15.50	0.0		
5G NR n77 & n78_30kHz_FCC										
BW(MHz)	Modulation	RB Size	RB Offset	Conducted power (dBm)			Target Power + Max. Tolerance (dBm)	MPR Allowed per 3GPP(dB)		
Frequency (MHz)				3470.01	3499.995	3529.995				
Channel				631334	633333	635333				
40	Pi/2 BPSK	1	1	14.99	14.99	14.97	15.50	0.0		
5G NR n77 & n78_30kHz_FCC										
BW(MHz)	Modulation	RB Size	RB Offset	Conducted power (dBm)			Target Power + Max. Tolerance (dBm)	MPR Allowed per 3GPP(dB)		
Frequency (MHz)				3460.005	3499.995	3540				
Channel				630667	633333	636000				
20	Pi/2 BPSK	1	1	14.96	15.02	14.97	15.50	0.0		
5G NR n77 & n78_30kHz_FCC										
BW(MHz)	Modulation	RB Size	RB Offset	Conducted power (dBm)			Target Power + Max. Tolerance (dBm)	MPR Allowed per 3GPP(dB)		
Frequency (MHz)				3457.5	3499.995	3542.49				
Channel				630500	633333	636166				
15	Pi/2 BPSK	1	1	14.94	14.93	14.96	15.50	0.0		

Unless otherwise stated the results shown in this test report refer only to the sample(s) tested and such sample(s) are retained for 90 days only.

除非另有說明，此報告結果僅對測試之樣品負責，同時此樣品僅保留90天。本報告未經本公司書面許可，不可部份複製。

This document is issued by the Company subject to its General Conditions of Service printed overleaf, available on request or accessible at <http://www.sgs.com.tw/Terms-and-Conditions> and for electronic format documents, subject to Terms and Conditions for Electronic Documents at <http://www.sgs.com.tw/Terms-and-Conditions>. Attention is drawn to the limitation of liability, indemnification and jurisdiction issues defined therein. Any holder of this document is advised that information contained hereon reflects the Company's findings at the time of its intervention only and within the limits of Client's instructions, if any. The Company's sole responsibility is to its Client and this document does not exonerate parties to a transaction from exercising all their rights and obligations under the transaction documents. This document cannot be reproduced except in full, without prior written approval of the Company. Any unauthorized alteration, forgery or falsification of the content or appearance of this document is unlawful and offenders may be prosecuted to the fullest extent of the law.

5G NR n77 & n78_30kHz_FCC								
BW(MHz)	Modulation	RB Size	RB Offset	Conducted power (dBm)			Target Power + Max. Tolerance (dBm)	MPR Allowed per 3GPP(dB)
Frequency (MHz)				3455.01	3499.995	3544.995		
Channel				630334	633333	636333		
10	Pi/2 BPSK	1	1	14.88	14.89	14.93	15.50	0.0
5G NR n78_30kHz_FCC								
BW(MHz)	Modulation	RB Size	RB Offset	Conducted power (dBm)			Target Power + Max. Tolerance (dBm)	MPR Allowed per 3GPP(dB)
Frequency (MHz)					3750			
Channel					650000			
100	Pi/2 BPSK	1	1		15.48		15.50	0.0
		1	137		15.36		15.50	0.0
		1	272		15.33		15.50	0.0
		135	0		15.37		15.50	0.0
		135	69		15.33		15.50	0.0
		135	138		15.36		15.50	0.0
		270	0		15.35		15.50	0.0
	QPSK	1	1		15.37		15.50	0.0
		1	137		15.33		15.50	0.0
		1	272		15.36		15.50	0.0
		135	0		15.37		15.50	0.0
		135	69		15.32		15.50	0.0
		135	138		15.28		15.50	0.0
		270	0		15.31		15.50	0.0
	16-QAM	1	1		15.30		15.50	0.0
	64QAM	1	1		15.28		15.50	0.0
256-QAM	1	1		15.29		15.50	0.0	
5G NR n78_30kHz_FCC								
BW(MHz)	Modulation	RB Size	RB Offset	Conducted power (dBm)			Target Power + Max. Tolerance (dBm)	MPR Allowed per 3GPP(dB)
Frequency (MHz)				3744.99	3750	3755.01		
Channel				649666	645000	650334		
90	Pi/2 BPSK	1	1	15.37	15.32	15.36	15.50	0.0

Unless otherwise stated the results shown in this test report refer only to the sample(s) tested and such sample(s) are retained for 90 days only.

除非另有說明，此報告結果僅對測試之樣品負責，同時此樣品僅保留90天。本報告未經本公司書面許可，不可部份複製。

This document is issued by the Company subject to its General Conditions of Service printed overleaf, available on request or accessible at <http://www.sgs.com.tw/Terms-and-Conditions> and for electronic format documents, subject to Terms and Conditions for Electronic Documents at <http://www.sgs.com.tw/Terms-and-Conditions>. Attention is drawn to the limitation of liability, indemnification and jurisdiction issues defined therein. Any holder of this document is advised that information contained hereon reflects the Company's findings at the time of its intervention only and within the limits of Client's instructions, if any. The Company's sole responsibility is to its Client and this document does not exonerate parties to a transaction from exercising all their rights and obligations under the transaction documents. This document cannot be reproduced except in full, without prior written approval of the Company. Any unauthorized alteration, forgery or falsification of the content or appearance of this document is unlawful and offenders may be prosecuted to the fullest extent of the law.

5G NR n78_30kHz_FCC								
BW(MHz)	Modulation	RB Size	RB Offset	Conducted power (dBm)			Target Power + Max. Tolerance (dBm)	MPR Allowed per 3GPP(dB)
Frequency (MHz)				3740.01	3750	3759.99		
Channel				649334	645000	650666		
80	Pi/2 BPSK	1	1	15.30	15.28	15.29	15.50	0.0
5G NR n78_30kHz_FCC								
BW(MHz)	Modulation	RB Size	RB Offset	Conducted power (dBm)			Target Power + Max. Tolerance (dBm)	MPR Allowed per 3GPP(dB)
Frequency (MHz)				3729.99	3750	3770.01		
Channel				648666	645000	651334		
60	Pi/2 BPSK	1	1	15.27	15.25	15.36	15.50	0.0
5G NR n78_30kHz_FCC								
BW(MHz)	Modulation	RB Size	RB Offset	Conducted power (dBm)			Target Power + Max. Tolerance (dBm)	MPR Allowed per 3GPP(dB)
Frequency (MHz)				3725.01	3750	3774.99		
Channel				648334	645000	651666		
50	Pi/2 BPSK	1	1	15.21	15.19	15.26	15.50	0.0
5G NR n78_30kHz_FCC								
BW(MHz)	Modulation	RB Size	RB Offset	Conducted power (dBm)			Target Power + Max. Tolerance (dBm)	MPR Allowed per 3GPP(dB)
Frequency (MHz)				3720	3750	3780		
Channel				648000	645000	652000		
40	Pi/2 BPSK	1	1	15.15	15.13	15.21	15.50	0.0
5G NR n78_30kHz_FCC								
BW(MHz)	Modulation	RB Size	RB Offset	Conducted power (dBm)			Target Power + Max. Tolerance (dBm)	MPR Allowed per 3GPP(dB)
Frequency (MHz)				3710.01	3750	3789.99		
Channel				647334	645000	652666		
20	Pi/2 BPSK	1	1	15.03	14.98	15.00	15.50	0.0

Unless otherwise stated the results shown in this test report refer only to the sample(s) tested and such sample(s) are retained for 90 days only.

除非另有說明，此報告結果僅對測試之樣品負責，同時此樣品僅保留90天。本報告未經本公司書面許可，不可部份複製。

This document is issued by the Company subject to its General Conditions of Service printed overleaf, available on request or accessible at <http://www.sgs.com.tw/Terms-and-Conditions> and for electronic format documents, subject to Terms and Conditions for Electronic Documents at <http://www.sgs.com.tw/Terms-and-Conditions>. Attention is drawn to the limitation of liability, indemnification and jurisdiction issues defined therein. Any holder of this document is advised that information contained hereon reflects the Company's findings at the time of its intervention only and within the limits of Client's instructions, if any. The Company's sole responsibility is to its Client and this document does not exonerate parties to a transaction from exercising all their rights and obligations under the transaction documents. This document cannot be reproduced except in full, without prior written approval of the Company. Any unauthorized alteration, forgery or falsification of the content or appearance of this document is unlawful and offenders may be prosecuted to the fullest extent of the law.

5G NR n78_30kHz_FCC								
BW(MHz)	Modulation	RB Size	RB Offset	Conducted power (dBm)			Target Power + Max. Tolerance (dBm)	MPR Allowed per 3GPP(dB)
Frequency (MHz)				3707.49	3750	3792.51		
Channel				647166	645000	652834		
15	Pi/2 BPSK	1	1	14.97	14.99	14.98	15.50	0.0
5G NR n78_30kHz_FCC								
BW(MHz)	Modulation	RB Size	RB Offset	Conducted power (dBm)			Target Power + Max. Tolerance (dBm)	MPR Allowed per 3GPP(dB)
Frequency (MHz)				3705	3750	3795		
Channel				647000	645000	653000		
10	Pi/2 BPSK	1	1	14.95	15.01	14.94	15.50	0.0

Unless otherwise stated the results shown in this test report refer only to the sample(s) tested and such sample(s) are retained for 90 days only.

除非另有說明，此報告結果僅對測試之樣品負責，同時此樣品僅保留90天。本報告未經本公司書面許可，不可部份複製。

This document is issued by the Company subject to its General Conditions of Service printed overleaf, available on request or accessible at <http://www.sgs.com.tw/Terms-and-Conditions> and for electronic format documents, subject to Terms and Conditions for Electronic Documents at <http://www.sgs.com.tw/Terms-and-Conditions>. Attention is drawn to the limitation of liability, indemnification and jurisdiction issues defined therein. Any holder of this document is advised that information contained hereon reflects the Company's findings at the time of its intervention only and within the limits of Client's instructions, if any. The Company's sole responsibility is to its Client and this document does not exonerate parties to a transaction from exercising all their rights and obligations under the transaction documents. This document cannot be reproduced except in full, without prior written approval of the Company. Any unauthorized alteration, forgery or falsification of the content or appearance of this document is unlawful and offenders may be prosecuted to the fullest extent of the law.

ANT 8

5G NR n41_30kHz								
BW(MHz)	Modulation	RB Size	RB Offset	Conducted power (dBm)			Target Power + Max. Tolerance (dBm)	MPR Allowed per 3GPP(dB)
Frequency (MHz)				2546.01	2592.99	2640		
Channel				509202	518598	528000		
100	Pi/2 BPSK	1	1	19.41	19.37	19.39	19.50	0.0
		1	137	19.36	19.36	19.34	19.50	0.0
		1	271	19.37	19.22	19.23	19.50	0.0
		135	0	19.36	19.22	19.35	19.50	0.0
		135	69	19.25	19.31	19.36	19.50	0.0
		135	138	19.35	19.29	19.33	19.50	0.0
	QPSK	270	0	19.20	19.22	19.24	19.50	0.0
		1	1	19.22	19.34	19.21	19.50	0.0
		1	137	19.34	19.28	19.30	19.50	0.0
		1	271	19.28	19.33	19.22	19.50	0.0
		135	0	19.32	19.28	19.20	19.50	0.0
		135	69	19.37	19.20	19.25	19.50	0.0
	16-QAM	135	138	19.20	19.29	19.37	19.50	0.0
		270	0	19.22	19.27	19.33	19.50	0.0
		1	1	19.36	19.34	19.31	19.50	0.0
	64QAM	1	1	19.34	19.31	19.28	19.50	0.0
	256-QAM	1	1	18.59	18.57	18.54	19.50	0.0
	5G NR n41_30kHz							
BW(MHz)	Modulation	RB Size	RB Offset	Conducted power (dBm)			Target Power + Max. Tolerance (dBm)	MPR Allowed per 3GPP(dB)
Frequency (MHz)				2541	2592.99	2644.98		
Channel				508200	518598	528996		
90	Pi/2 BPSK	1	1	19.26	19.20	19.34	19.50	0.0
5G NR n41_30kHz								
BW(MHz)	Modulation	RB Size	RB Offset	Conducted power (dBm)			Target Power + Max. Tolerance (dBm)	MPR Allowed per 3GPP(dB)
Frequency (MHz)				2536.02	2592.99	2649.99		
Channel				507204	518598	529998		
80	Pi/2 BPSK	1	1	19.19	19.33	19.22	19.50	0.0

Unless otherwise stated the results shown in this test report refer only to the sample(s) tested and such sample(s) are retained for 90 days only.

除非另有說明，此報告結果僅對測試之樣品負責，同時此樣品僅保留90天。本報告未經本公司書面許可，不可部份複製。

This document is issued by the Company subject to its General Conditions of Service printed overleaf, available on request or accessible at <http://www.sgs.com.tw/Terms-and-Conditions> and for electronic format documents, subject to Terms and Conditions for Electronic Documents at <http://www.sgs.com.tw/Terms-and-Conditions>. Attention is drawn to the limitation of liability, indemnification and jurisdiction issues defined therein. Any holder of this document is advised that information contained hereon reflects the Company's findings at the time of its intervention only and within the limits of Client's instructions, if any. The Company's sole responsibility is to its Client and this document does not exonerate parties to a transaction from exercising all their rights and obligations under the transaction documents. This document cannot be reproduced except in full, without prior written approval of the Company. Any unauthorized alteration, forgery or falsification of the content or appearance of this document is unlawful and offenders may be prosecuted to the fullest extent of the law.

5G NR n41_30kHz										
BW(MHz)	Modulation	RB Size	RB Offset	Conducted power (dBm)			Target Power + Max. Tolerance (dBm)	MPR Allowed per 3GPP(dB)		
Frequency (MHz)				2526	2592.99	2659.98				
Channel				505200	518598	531996				
60	Pi/2 BPSK	1	1	19.22	19.21	19.33	19.50	0.0		
5G NR n41_30kHz										
BW(MHz)	Modulation	RB Size	RB Offset	Conducted power (dBm)			Target Power + Max. Tolerance (dBm)	MPR Allowed per 3GPP(dB)		
Frequency (MHz)				2521.02	2592.99	2664.99				
Channel				504204	518598	532998				
50	Pi/2 BPSK	1	1	19.20	19.34	19.32	19.50	0.0		
5G NR n41_30kHz										
BW(MHz)	Modulation	RB Size	RB Offset	Conducted power (dBm)			Target Power + Max. Tolerance (dBm)	MPR Allowed per 3GPP(dB)		
Frequency (MHz)				2516.01	2592.99	2670				
Channel				503202	518598	534000				
40	Pi/2 BPSK	1	1	19.29	19.19	19.24	19.50	0.0		
5G NR n41_30kHz										
BW(MHz)	Modulation	RB Size	RB Offset	Conducted power (dBm)			Target Power + Max. Tolerance (dBm)	MPR Allowed per 3GPP(dB)		
Frequency (MHz)				2506.02	2592.99	2679.99				
Channel				501204	518598	535998				
20	Pi/2 BPSK	1	1	19.19	19.20	19.28	19.50	0.0		

Unless otherwise stated the results shown in this test report refer only to the sample(s) tested and such sample(s) are retained for 90 days only.

除非另有說明，此報告結果僅對測試之樣品負責，同時此樣品僅保留90天。本報告未經本公司書面許可，不可部份複製。

This document is issued by the Company subject to its General Conditions of Service printed overleaf, available on request or accessible at <http://www.sgs.com.tw/Terms-and-Conditions> and for electronic format documents, subject to Terms and Conditions for Electronic Documents at <http://www.sgs.com.tw/Terms-and-Conditions>. Attention is drawn to the limitation of liability, indemnification and jurisdiction issues defined therein. Any holder of this document is advised that information contained hereon reflects the Company's findings at the time of its intervention only and within the limits of Client's instructions, if any. The Company's sole responsibility is to its Client and this document does not exonerate parties to a transaction from exercising all their rights and obligations under the transaction documents. This document cannot be reproduced except in full, without prior written approval of the Company. Any unauthorized alteration, forgery or falsification of the content or appearance of this document is unlawful and offenders may be prosecuted to the fullest extent of the law.

5G NR n77_30kHz_FCC										
BW(MHz)	Modulation	RB Size	RB Offset	Conducted power (dBm)					Target Power + Max. Tolerance (dBm)	MPR Allowed per 3GPP(dB)
Frequency (MHz)				3750	3795	3840	3885	3930		
Channel				650000	653000	656000	659000	662000		
100	Pi/2 BPSK	1	1	16.20	16.46	16.37	16.49	16.48	16.50	0.0
		1	137	16.06	16.06	16.07	16.05	16.07	16.50	0.0
		1	272	16.06	16.02	16.02	16.09	16.04	16.50	0.0
		135	0	16.09	16.05	16.03	16.09	16.07	16.50	0.0
		135	69	16.11	16.02	16.09	16.02	16.02	16.50	0.0
		135	138	16.07	16.09	16.09	16.10	16.01	16.50	0.0
	QPSK	270	0	16.10	16.05	16.04	16.03	16.04	16.50	0.0
		1	1	16.12	16.10	16.03	16.09	16.09	16.50	0.0
		1	137	16.13	16.03	16.00	16.08	16.03	16.50	0.0
		1	272	16.11	16.06	16.08	16.01	16.05	16.50	0.0
		135	0	16.06	16.04	16.04	16.03	16.03	16.50	0.0
		135	69	16.08	16.08	16.04	16.06	16.03	16.50	0.0
	16-QAM	135	138	16.13	16.01	16.09	16.09	16.00	16.50	0.0
		270	0	16.14	16.02	16.07	16.01	16.02	16.50	0.0
		1	1	16.13	16.01	16.06	16.08	16.09	16.50	0.0
	64QAM	1	1	16.13	16.00	16.06	16.05	16.05	16.50	0.0
	256-QAM	1	1	16.11	16.03	16.01	16.03	16.07	16.50	0.0

5G NR n77_30kHz_FCC										
BW(MHz)	Modulation	RB Size	RB Offset	Conducted power (dBm)					Target Power + Max. Tolerance (dBm)	MPR Allowed per 3GPP(dB)
Frequency (MHz)				3744.99	3792.51	3840	3887.49	3935.01		
Channel				649666	652834	656000	659166	662334		
90	Pi/2 BPSK	1	1	16.13	16.04	16.04	16.00	16.03	16.50	0.0

5G NR n77_30kHz_FCC										
BW(MHz)	Modulation	RB Size	RB Offset	Conducted power (dBm)					Target Power + Max. Tolerance (dBm)	MPR Allowed per 3GPP(dB)
Frequency (MHz)				3740.01	3789.99	3840	3890.01	3939.99		
Channel				649334	652666	656000	659334	662666		
80	Pi/2 BPSK	1	1	16.10	16.06	16.08	16.01	16.03	16.50	0.0

Unless otherwise stated the results shown in this test report refer only to the sample(s) tested and such sample(s) are retained for 90 days only.

除非另有說明，此報告結果僅對測試之樣品負責，同時此樣品僅保留90天。本報告未經本公司書面許可，不可部份複製。

This document is issued by the Company subject to its General Conditions of Service printed overleaf, available on request or accessible at <http://www.sgs.com.tw/Terms-and-Conditions> and for electronic format documents, subject to Terms and Conditions for Electronic Documents at <http://www.sgs.com.tw/Terms-and-Conditions>. Attention is drawn to the limitation of liability, indemnification and jurisdiction issues defined therein. Any holder of this document is advised that information contained hereon reflects the Company's findings at the time of its intervention only and within the limits of Client's instructions, if any. The Company's sole responsibility is to its Client and this document does not exonerate parties to a transaction from exercising all their rights and obligations under the transaction documents. This document cannot be reproduced except in full, without prior written approval of the Company. Any unauthorized alteration, forgery or falsification of the content or appearance of this document is unlawful and offenders may be prosecuted to the fullest extent of the law.

5G NR n77_30kHz_FCC										
BW(MHz)	Modulation	RB Size	RB Offset	Conducted power (dBm)					Target Power + Max. Tolerance (dBm)	MPR Allowed per 3GPP(dB)
Frequency (MHz)				3729.99	3785.01	3840	3894.99	3950.01		
Channel				648666	652334	656000	659666	663334		
60	Pi/2 BPSK	1	1	16.09	16.02	16.04	16.10	16.08	16.50	0.0

5G NR n77_30kHz_FCC										
BW(MHz)	Modulation	RB Size	RB Offset	Conducted power (dBm)					Target Power + Max. Tolerance (dBm)	MPR Allowed per 3GPP(dB)
Frequency (MHz)				3725.01	3782.49	3840	3897.51	3954.99		
Channel				648334	652166	656000	659834	663666		
50	Pi/2 BPSK	1	1	16.08	16.02	16.02	16.05	16.04	16.50	0.0

5G NR n77_30kHz_FCC										
BW(MHz)	Modulation	RB Size	RB Offset	Conducted power (dBm)					Target Power + Max. Tolerance (dBm)	MPR Allowed per 3GPP(dB)
Frequency (MHz)				3720	3780	3840	3900	3960		
Channel				648000	652000	656000	660000	664000		
40	Pi/2 BPSK	1	1	16.05	16.07	16.01	15.97	15.93	16.50	0.0

5G NR n77_30kHz_FCC										
BW(MHz)	Modulation	RB Size	RB Offset	Conducted power (dBm)					Target Power + Max. Tolerance (dBm)	MPR Allowed per 3GPP(dB)
Frequency (MHz)				3710.01	3774.99	3840	3903.99	3969.99		
Channel				647334	651666	656000	660266	664666		
20	Pi/2 BPSK	1	1	15.99	16.00	16.03	15.99	16.01	16.50	0.0

5G NR n77_30kHz_FCC										
BW(MHz)	Modulation	RB Size	RB Offset	Conducted power (dBm)					Target Power + Max. Tolerance (dBm)	MPR Allowed per 3GPP(dB)
Frequency (MHz)				3707.52	3773.76	3840	3906.24	3972.51		
Channel				647168	651584	656000	660416	664834		
15	Pi/2 BPSK	1	1	15.88	15.92	15.96	15.78	15.89	16.50	0.0

Unless otherwise stated the results shown in this test report refer only to the sample(s) tested and such sample(s) are retained for 90 days only.

除非另有說明，此報告結果僅對測試之樣品負責，同時此樣品僅保留90天。本報告未經本公司書面許可，不可部份複製。

This document is issued by the Company subject to its General Conditions of Service printed overleaf, available on request or accessible at <http://www.sgs.com.tw/Terms-and-Conditions> and for electronic format documents, subject to Terms and Conditions for Electronic Documents at <http://www.sgs.com.tw/Terms-and-Conditions>. Attention is drawn to the limitation of liability, indemnification and jurisdiction issues defined therein. Any holder of this document is advised that information contained hereon reflects the Company's findings at the time of its intervention only and within the limits of Client's instructions, if any. The Company's sole responsibility is to its Client and this document does not exonerate parties to a transaction from exercising all their rights and obligations under the transaction documents. This document cannot be reproduced except in full, without prior written approval of the Company. Any unauthorized alteration, forgery or falsification of the content or appearance of this document is unlawful and offenders may be prosecuted to the fullest extent of the law.

5G NR n77_30kHz_FCC										
BW(MHz)	Modulation	RB Size	RB Offset	Conducted power (dBm)					Target Power + Max. Tolerance (dBm)	MPR Allowed per 3GPP(dB)
Frequency (MHz)				3705	3772.5	3840	3907.5	3975		
Channel				647000	651500	656000	660500	665000		
10	Pi/2 BPSK	1	1	15.88	15.89	15.92	15.90	15.77	16.50	0.0

5G NR n77 & n78_30kHz_FCC										
BW(MHz)	Modulation	RB Size	RB Offset	Conducted power (dBm)					Target Power + Max. Tolerance (dBm)	MPR Allowed per 3GPP(dB)
Frequency (MHz)				3499.995						
Channel				633333						
100	Pi/2 BPSK	1	1	16.36		16.50			0.0	
		1	137	16.25		16.50			0.0	
		1	272	16.27		16.50			0.0	
		135	0	16.30		16.50			0.0	
		135	69	16.28		16.50			0.0	
		135	138	16.23		16.50			0.0	
		270	0	16.16		16.50			0.0	
	QPSK	1	1	16.14		16.50			0.0	
		1	137	16.30		16.50			0.0	
		1	272	16.18		16.50			0.0	
		135	0	16.21		16.50			0.0	
		135	69	16.27		16.50			0.0	
		135	138	16.21		16.50			0.0	
		270	0	16.26		16.50			0.0	
	16-QAM	1	1	16.28		16.50			0.0	
	64QAM	1	1	16.16		16.50			0.0	
256-QAM	1	1	16.16		16.50			0.0		

5G NR n77 & n78_30kHz_FCC									
BW(MHz)	Modulation	RB Size	RB Offset	Conducted power (dBm)			Target Power + Max. Tolerance (dBm)	MPR Allowed per 3GPP(dB)	
Frequency (MHz)				3495	3499.995	3504.99			
Channel				633000	633333	633666			
90	Pi/2 BPSK	1	1	16.26	16.31	16.30	16.50	0.0	

Unless otherwise stated the results shown in this test report refer only to the sample(s) tested and such sample(s) are retained for 90 days only.

除非另有說明，此報告結果僅對測試之樣品負責，同時此樣品僅保留90天。本報告未經本公司書面許可，不可部份複製。

This document is issued by the Company subject to its General Conditions of Service printed overleaf, available on request or accessible at <http://www.sgs.com.tw/Terms-and-Conditions> and for electronic format documents, subject to Terms and Conditions for Electronic Documents at <http://www.sgs.com.tw/Terms-and-Conditions>. Attention is drawn to the limitation of liability, indemnification and jurisdiction issues defined therein. Any holder of this document is advised that information contained hereon reflects the Company's findings at the time of its intervention only and within the limits of Client's instructions, if any. The Company's sole responsibility is to its Client and this document does not exonerate parties to a transaction from exercising all their rights and obligations under the transaction documents. This document cannot be reproduced except in full, without prior written approval of the Company. Any unauthorized alteration, forgery or falsification of the content or appearance of this document is unlawful and offenders may be prosecuted to the fullest extent of the law.

5G NR n77 & n78_30kHz_FCC										
BW(MHz)	Modulation	RB Size	RB Offset	Conducted power (dBm)			Target Power + Max. Tolerance (dBm)	MPR Allowed per 3GPP(dB)		
Frequency (MHz)				3490.005	3499.995	3510				
Channel				632667	633333	634000				
80	Pi/2 BPSK	1	1	16.24	16.22	16.22	16.50	0.0		
5G NR n77 & n78_30kHz_FCC										
BW(MHz)	Modulation	RB Size	RB Offset	Conducted power (dBm)			Target Power + Max. Tolerance (dBm)	MPR Allowed per 3GPP(dB)		
Frequency (MHz)				3480	3499.995	3519.99				
Channel				632000	633333	634666				
60	Pi/2 BPSK	1	1	16.23	16.09	16.10	16.50	0.0		
5G NR n77 & n78_30kHz_FCC										
BW(MHz)	Modulation	RB Size	RB Offset	Conducted power (dBm)			Target Power + Max. Tolerance (dBm)	MPR Allowed per 3GPP(dB)		
Frequency (MHz)				3475.005	3499.995	3525				
Channel				631667	633333	635000				
50	Pi/2 BPSK	1	1	16.17	16.20	16.10	16.50	0.0		
5G NR n77 & n78_30kHz_FCC										
BW(MHz)	Modulation	RB Size	RB Offset	Conducted power (dBm)			Target Power + Max. Tolerance (dBm)	MPR Allowed per 3GPP(dB)		
Frequency (MHz)				3470.01	3499.995	3529.995				
Channel				631334	633333	635333				
40	Pi/2 BPSK	1	1	16.11	16.25	16.25	16.50	0.0		
5G NR n77 & n78_30kHz_FCC										
BW(MHz)	Modulation	RB Size	RB Offset	Conducted power (dBm)			Target Power + Max. Tolerance (dBm)	MPR Allowed per 3GPP(dB)		
Frequency (MHz)				3460.005	3499.995	3540				
Channel				630667	633333	636000				
20	Pi/2 BPSK	1	1	16.10	16.08	16.15	16.50	0.0		

Unless otherwise stated the results shown in this test report refer only to the sample(s) tested and such sample(s) are retained for 90 days only.

除非另有說明，此報告結果僅對測試之樣品負責，同時此樣品僅保留90天。本報告未經本公司書面許可，不可部份複製。

This document is issued by the Company subject to its General Conditions of Service printed overleaf, available on request or accessible at <http://www.sgs.com.tw/Terms-and-Conditions> and for electronic format documents, subject to Terms and Conditions for Electronic Documents at <http://www.sgs.com.tw/Terms-and-Conditions>. Attention is drawn to the limitation of liability, indemnification and jurisdiction issues defined therein. Any holder of this document is advised that information contained hereon reflects the Company's findings at the time of its intervention only and within the limits of Client's instructions, if any. The Company's sole responsibility is to its Client and this document does not exonerate parties to a transaction from exercising all their rights and obligations under the transaction documents. This document cannot be reproduced except in full, without prior written approval of the Company. Any unauthorized alteration, forgery or falsification of the content or appearance of this document is unlawful and offenders may be prosecuted to the fullest extent of the law.

5G NR n77 & n78_30kHz_FCC								
BW(MHz)	Modulation	RB Size	RB Offset	Conducted power (dBm)			Target Power + Max. Tolerance (dBm)	MPR Allowed per 3GPP(dB)
Frequency (MHz)				3457.5	3499.995	3542.49		
Channel				630500	633333	636166		
15	Pi/2 BPSK	1	1	16.08	16.25	16.17	16.50	0.0
5G NR n77 & n78_30kHz_FCC								
BW(MHz)	Modulation	RB Size	RB Offset	Conducted power (dBm)			Target Power + Max. Tolerance (dBm)	MPR Allowed per 3GPP(dB)
Frequency (MHz)				3455.01	3499.995	3544.995		
Channel				630334	633333	636333		
10	Pi/2 BPSK	1	1	16.15	16.08	16.11	16.50	0.0

Unless otherwise stated the results shown in this test report refer only to the sample(s) tested and such sample(s) are retained for 90 days only.

除非另有說明，此報告結果僅對測試之樣品負責，同時此樣品僅保留90天。本報告未經本公司書面許可，不可部份複製。

This document is issued by the Company subject to its General Conditions of Service printed overleaf, available on request or accessible at <http://www.sgs.com.tw/Terms-and-Conditions> and for electronic format documents, subject to Terms and Conditions for Electronic Documents at <http://www.sgs.com.tw/Terms-and-Conditions>. Attention is drawn to the limitation of liability, indemnification and jurisdiction issues defined therein. Any holder of this document is advised that information contained hereon reflects the Company's findings at the time of its intervention only and within the limits of Client's instructions, if any. The Company's sole responsibility is to its Client and this document does not exonerate parties to a transaction from exercising all their rights and obligations under the transaction documents. This document cannot be reproduced except in full, without prior written approval of the Company. Any unauthorized alteration, forgery or falsification of the content or appearance of this document is unlawful and offenders may be prosecuted to the fullest extent of the law.

5G NR n78_30kHz_FCC								
BW(MHz)	Modulation	RB Size	RB Offset	Conducted power (dBm)			Target Power + Max. Tolerance (dBm)	MPR Allowed per 3GPP(dB)
Frequency (MHz)				3750				
Channel				650000				
100	Pi/2 BPSK	1	1		16.19		16.50	0.0
		1	137		16.13		16.50	0.0
		1	272		15.98		16.50	0.0
		135	0		16.12		16.50	0.0
		135	69		16.11		16.50	0.0
		135	138		16.09		16.50	0.0
		270	0		16.06		16.50	0.0
	QPSK	1	1		16.10		16.50	0.0
		1	137		16.11		16.50	0.0
		1	272		15.98		16.50	0.0
		135	0		16.02		16.50	0.0
		135	69		16.04		16.50	0.0
		135	138		16.05		16.50	0.0
		270	0		16.03		16.50	0.0
	16-QAM	1	1		15.97		16.50	0.0
	64QAM	1	1		16.12		16.50	0.0
256-QAM	1	1		16.06		16.50	0.0	

5G NR n78_30kHz_FCC								
BW(MHz)	Modulation	RB Size	RB Offset	Conducted power (dBm)			Target Power + Max. Tolerance (dBm)	MPR Allowed per 3GPP(dB)
Frequency (MHz)				3744.99	3750	3755.01		
Channel				649666	645000	650334		
90	Pi/2 BPSK	1	1	16.10	16.12	16.13	16.50	0.0

5G NR n78_30kHz_FCC								
BW(MHz)	Modulation	RB Size	RB Offset	Conducted power (dBm)			Target Power + Max. Tolerance (dBm)	MPR Allowed per 3GPP(dB)
Frequency (MHz)				3740.01	3750	3759.99		
Channel				649334	645000	650666		
80	Pi/2 BPSK	1	1	16.02	15.92	15.95	16.50	0.0

Unless otherwise stated the results shown in this test report refer only to the sample(s) tested and such sample(s) are retained for 90 days only.

除非另有說明，此報告結果僅對測試之樣品負責，同時此樣品僅保留90天。本報告未經本公司書面許可，不可部份複製。

This document is issued by the Company subject to its General Conditions of Service printed overleaf, available on request or accessible at <http://www.sgs.com.tw/Terms-and-Conditions> and for electronic format documents, subject to Terms and Conditions for Electronic Documents at <http://www.sgs.com.tw/Terms-and-Conditions>. Attention is drawn to the limitation of liability, indemnification and jurisdiction issues defined therein. Any holder of this document is advised that information contained hereon reflects the Company's findings at the time of its intervention only and within the limits of Client's instructions, if any. The Company's sole responsibility is to its Client and this document does not exonerate parties to a transaction from exercising all their rights and obligations under the transaction documents. This document cannot be reproduced except in full, without prior written approval of the Company. Any unauthorized alteration, forgery or falsification of the content or appearance of this document is unlawful and offenders may be prosecuted to the fullest extent of the law.

5G NR n78_30kHz_FCC								
BW(MHz)	Modulation	RB Size	RB Offset	Conducted power (dBm)			Target Power + Max. Tolerance (dBm)	MPR Allowed per 3GPP(dB)
Frequency (MHz)				3729.99	3750	3770.01		
Channel				648666	645000	651334		
60	Pi/2 BPSK	1	1	15.97	16.01	16.05	16.50	0.0
5G NR n78_30kHz_FCC								
BW(MHz)	Modulation	RB Size	RB Offset	Conducted power (dBm)			Target Power + Max. Tolerance (dBm)	MPR Allowed per 3GPP(dB)
Frequency (MHz)				3725.01	3750	3774.99		
Channel				648334	645000	651666		
50	Pi/2 BPSK	1	1	15.91	15.97	16.06	16.50	0.0
5G NR n78_30kHz_FCC								
BW(MHz)	Modulation	RB Size	RB Offset	Conducted power (dBm)			Target Power + Max. Tolerance (dBm)	MPR Allowed per 3GPP(dB)
Frequency (MHz)				3720	3750	3780		
Channel				648000	645000	652000		
40	Pi/2 BPSK	1	1	15.88	15.88	15.71	16.50	0.0

Unless otherwise stated the results shown in this test report refer only to the sample(s) tested and such sample(s) are retained for 90 days only.

除非另有說明，此報告結果僅對測試之樣品負責，同時此樣品僅保留90天。本報告未經本公司書面許可，不可部份複製。

This document is issued by the Company subject to its General Conditions of Service printed overleaf, available on request or accessible at <http://www.sgs.com.tw/Terms-and-Conditions> and for electronic format documents, subject to Terms and Conditions for Electronic Documents at <http://www.sgs.com.tw/Terms-and-Conditions>. Attention is drawn to the limitation of liability, indemnification and jurisdiction issues defined therein. Any holder of this document is advised that information contained hereon reflects the Company's findings at the time of its intervention only and within the limits of Client's instructions, if any. The Company's sole responsibility is to its Client and this document does not exonerate parties to a transaction from exercising all their rights and obligations under the transaction documents. This document cannot be reproduced except in full, without prior written approval of the Company. Any unauthorized alteration, forgery or falsification of the content or appearance of this document is unlawful and offenders may be prosecuted to the fullest extent of the law.

5G NR n78_30kHz_FCC								
BW(MHz)	Modulation	RB Size	RB Offset	Conducted power (dBm)			Target Power + Max. Tolerance (dBm)	MPR Allowed per 3GPP(dB)
Frequency (MHz)				3710.01	3750	3789.99		
Channel				647334	645000	652666		
20	Pi/2 BPSK	1	1	15.82	15.72	15.81	16.50	0.0
5G NR n78_30kHz_FCC								
BW(MHz)	Modulation	RB Size	RB Offset	Conducted power (dBm)			Target Power + Max. Tolerance (dBm)	MPR Allowed per 3GPP(dB)
Frequency (MHz)				3707.49	3750	3792.51		
Channel				647166	645000	652834		
15	Pi/2 BPSK	1	1	15.72	15.80	15.66	16.50	0.0
5G NR n78_30kHz_FCC								
BW(MHz)	Modulation	RB Size	RB Offset	Conducted power (dBm)			Target Power + Max. Tolerance (dBm)	MPR Allowed per 3GPP(dB)
Frequency (MHz)				3705	3750	3795		
Channel				647000	645000	653000		
10	Pi/2 BPSK	1	1	15.66	15.67	15.66	16.50	0.0

Unless otherwise stated the results shown in this test report refer only to the sample(s) tested and such sample(s) are retained for 90 days only.

除非另有說明，此報告結果僅對測試之樣品負責，同時此樣品僅保留90天。本報告未經本公司書面許可，不可部份複製。

This document is issued by the Company subject to its General Conditions of Service printed overleaf, available on request or accessible at <http://www.sgs.com.tw/Terms-and-Conditions> and for electronic format documents, subject to Terms and Conditions for Electronic Documents at <http://www.sgs.com.tw/Terms-and-Conditions>. Attention is drawn to the limitation of liability, indemnification and jurisdiction issues defined therein. Any holder of this document is advised that information contained hereon reflects the Company's findings at the time of its intervention only and within the limits of Client's instructions, if any. The Company's sole responsibility is to its Client and this document does not exonerate parties to a transaction from exercising all their rights and obligations under the transaction documents. This document cannot be reproduced except in full, without prior written approval of the Company. Any unauthorized alteration, forgery or falsification of the content or appearance of this document is unlawful and offenders may be prosecuted to the fullest extent of the law.

6.9 WLAN

Ant 2(chain B)						
Band	Mode	Channel	Frequency (MHz)	Data Rate	Max. Rated Avg. Power + Max. Tolerance (dBm)	Average power (dBm)
2.45GHz	802.11b	1	2412	1Mbps	20.00	19.91
		6	2437		20.00	19.98
		11	2462		20.00	19.97
	802.11g	1	2412	6Mbps	18.25	18.15
		6	2437		20.00	19.88
		11	2462		17.00	16.93
	802.11n20-HT0	1	2412	MCS0	18.25	18.22
		6	2437		20.00	19.58
		11	2462		17.00	16.81
	802.11ac20-VHT0	1	2412	MCS0	18.25	18.13
		6	2437		20.00	19.90
		11	2462		17.00	16.95
	802.11ax20-HE0	1	2412	MCS0	18.25	18.19
		6	2437		20.00	19.58
		11	2462		17.00	16.83
	802.11n40-HT0	3	2422	MCS0	14.75	14.71
		6	2437		17.00	16.58
		9	2452		15.00	14.86
	802.11ac40-VHT0	3	2422	MCS0	14.75	14.66
		6	2437		17.00	16.58
		9	2452		15.00	14.81
	802.11ax40-HE0	3	2422	MCS0	14.75	14.72
		6	2437		17.00	16.82
		9	2452		15.00	14.87

Unless otherwise stated the results shown in this test report refer only to the sample(s) tested and such sample(s) are retained for 90 days only.

除非另有說明，此報告結果僅對測試之樣品負責，同時此樣品僅保留90天。本報告未經本公司書面許可，不可部份複製。

This document is issued by the Company subject to its General Conditions of Service printed overleaf, available on request or accessible at <http://www.sgs.com.tw/Terms-and-Conditions> and for electronic format documents, subject to Terms and Conditions for Electronic Documents at <http://www.sgs.com.tw/Terms-and-Conditions>. Attention is drawn to the limitation of liability, indemnification and jurisdiction issues defined therein. Any holder of this document is advised that information contained hereon reflects the Company's findings at the time of its intervention only and within the limits of Client's instructions, if any. The Company's sole responsibility is to its Client and this document does not exonerate parties to a transaction from exercising all their rights and obligations under the transaction documents. This document cannot be reproduced except in full, without prior written approval of the Company. Any unauthorized alteration, forgery or falsification of the content or appearance of this document is unlawful and offenders may be prosecuted to the fullest extent of the law.

Ant 1(chain A)						
Band	Mode	Channel	Frequency (MHz)	Data Rate	Max. Rated Avg. Power + Max. Tolerance (dBm)	Average power (dBm)
2.45GHz	802.11b	1	2412	1Mbps	20.00	19.90
		6	2437		20.00	19.92
		11	2462		20.00	19.95
	802.11g	1	2412	6Mbps	17.75	17.60
		6	2437		20.00	19.53
		11	2462		17.00	16.81
	802.11n20-HT0	1	2412	MCS0	17.75	17.48
		6	2437		20.00	19.53
		11	2462		17.00	16.85
	802.11ac20-VHT0	1	2412	MCS0	17.75	17.72
		6	2437		20.00	19.53
		11	2462		17.00	16.81
	802.11ax20-HE0	1	2412	MCS0	17.75	17.63
		6	2437		20.00	19.53
		11	2462		17.00	16.86
	802.11n40-HT0	3	2422	MCS0	15.50	15.34
		6	2437		17.25	16.78
		9	2452		16.75	16.59
	802.11ac40-VHT0	3	2422	MCS0	15.50	15.32
		6	2437		17.25	16.78
		9	2452		16.75	16.68
	802.11ax40-HE0	3	2422	MCS0	15.50	15.45
		6	2437		17.25	16.78
		9	2452		16.75	16.69

Unless otherwise stated the results shown in this test report refer only to the sample(s) tested and such sample(s) are retained for 90 days only.

除非另有說明，此報告結果僅對測試之樣品負責，同時此樣品僅保留90天。本報告未經本公司書面許可，不可部份複製。

This document is issued by the Company subject to its General Conditions of Service printed overleaf, available on request or accessible at <http://www.sgs.com.tw/Terms-and-Conditions> and for electronic format documents, subject to Terms and Conditions for Electronic Documents at <http://www.sgs.com.tw/Terms-and-Conditions>. Attention is drawn to the limitation of liability, indemnification and jurisdiction issues defined therein. Any holder of this document is advised that information contained hereon reflects the Company's findings at the time of its intervention only and within the limits of Client's instructions, if any. The Company's sole responsibility is to its Client and this document does not exonerate parties to a transaction from exercising all their rights and obligations under the transaction documents. This document cannot be reproduced except in full, without prior written approval of the Company. Any unauthorized alteration, forgery or falsification of the content or appearance of this document is unlawful and offenders may be prosecuted to the fullest extent of the law.

Ant 2(chain B)						
Band	Mode	Channel	Frequency (MHz)	Data Rate	Max. Rated Avg. Power + Max. Tolerance (dBm)	Average power (dBm)
5.15-5.25 GHz	802.11a	36	5180	6Mbps	16.50	16.44
		40	5200		16.50	16.45
		44	5220		16.50	16.33
		48	5240		16.50	16.39
	802.11n20-HT0	36	5180	MCS0	16.50	16.41
		40	5200		16.50	16.16
		44	5220		16.50	16.31
		48	5240		16.50	16.19
	802.11ac20-VHT0	36	5180	MCS0	16.50	16.42
		40	5200		16.50	16.30
		44	5220		16.50	16.20
		48	5240		16.50	16.21
	802.11ax20-HE0	36	5180	MCS0	16.50	16.43
		40	5200		16.50	16.32
		44	5220		16.50	16.19
		48	5240		16.50	16.26
	802.11n40-HT0	38	5190	MCS0	16.50	16.48
		46	5230		16.50	16.46
	802.11ac40-VHT0	38	5190	MCS0	16.50	16.12
		46	5230		16.50	16.38
802.11ax40-HE0	38	5190	MCS0	16.50	16.27	
	46	5230		16.50	16.39	
802.11ac80-VHT0	42	5210	MCS0	16.50	16.44	
802.11ax80-HE0	42	5210	MCS0	16.50	16.34	
802.11ac160-VHT0	50	5250	MCS0	14.50	13.84	
802.11ax160-HE0	50	5250	MCS0	14.50	13.79	

Unless otherwise stated the results shown in this test report refer only to the sample(s) tested and such sample(s) are retained for 90 days only.

除非另有說明，此報告結果僅對測試之樣品負責，同時此樣品僅保留90天。本報告未經本公司書面許可，不可部份複製。

This document is issued by the Company subject to its General Conditions of Service printed overleaf, available on request or accessible at <http://www.sgs.com.tw/Terms-and-Conditions> and for electronic format documents, subject to Terms and Conditions for Electronic Documents at <http://www.sgs.com.tw/Terms-and-Conditions>. Attention is drawn to the limitation of liability, indemnification and jurisdiction issues defined therein. Any holder of this document is advised that information contained hereon reflects the Company's findings at the time of its intervention only and within the limits of Client's instructions, if any. The Company's sole responsibility is to its Client and this document does not exonerate parties to a transaction from exercising all their rights and obligations under the transaction documents. This document cannot be reproduced except in full, without prior written approval of the Company. Any unauthorized alteration, forgery or falsification of the content or appearance of this document is unlawful and offenders may be prosecuted to the fullest extent of the law.

Ant 1(chain A)						
Band	Mode	Channel	Frequency (MHz)	Data Rate	Max. Rated Avg. Power + Max. Tolerance (dBm)	Average power (dBm)
5.15-5.25 GHz	802.11a	36	5180	6Mbps	16.00	15.90
		40	5200		16.00	15.92
		44	5220		16.00	15.91
		48	5240		16.00	15.93
	802.11n20-HT0	36	5180	MCS0	16.00	14.76
		40	5200		16.00	15.79
		44	5220		16.00	15.82
		48	5240		16.00	15.74
	802.11ac20-VHT0	36	5180	MCS0	16.00	14.83
		40	5200		16.00	15.82
		44	5220		16.00	15.69
		48	5240		16.00	15.76
	802.11ax20-HE0	36	5180	MCS0	16.00	14.73
		40	5200		16.00	15.84
		44	5220		16.00	15.78
		48	5240		16.00	15.83
	802.11n40-HT0	38	5190	MCS0	16.00	15.99
		46	5230		16.00	15.98
	802.11ac40-VHT0	38	5190	MCS0	16.00	15.85
		46	5230		16.00	15.80
802.11ax40-HE0	38	5190	MCS0	16.00	15.87	
	46	5230		16.00	15.82	
802.11ac80-VHT0	42	5210	MCS0	16.00	15.96	
802.11ax80-HE0	42	5210	MCS0	16.00	15.79	
802.11ac160-VHT0	50	5250	MCS0	14.00	13.19	
802.11ax160-HE0	50	5250	MCS0	14.00	13.18	

Unless otherwise stated the results shown in this test report refer only to the sample(s) tested and such sample(s) are retained for 90 days only.

除非另有說明，此報告結果僅對測試之樣品負責，同時此樣品僅保留90天。本報告未經本公司書面許可，不可部份複製。

This document is issued by the Company subject to its General Conditions of Service printed overleaf, available on request or accessible at <http://www.sgs.com.tw/Terms-and-Conditions> and for electronic format documents, subject to Terms and Conditions for Electronic Documents at <http://www.sgs.com.tw/Terms-and-Conditions>. Attention is drawn to the limitation of liability, indemnification and jurisdiction issues defined therein. Any holder of this document is advised that information contained hereon reflects the Company's findings at the time of its intervention only and within the limits of Client's instructions, if any. The Company's sole responsibility is to its Client and this document does not exonerate parties to a transaction from exercising all their rights and obligations under the transaction documents. This document cannot be reproduced except in full, without prior written approval of the Company. Any unauthorized alteration, forgery or falsification of the content or appearance of this document is unlawful and offenders may be prosecuted to the fullest extent of the law.

Ant 2(chain B)						
Band	Mode	Channel	Frequency (MHz)	Data Rate	Max. Rated Avg. Power + Max. Tolerance (dBm)	Average power (dBm)
5.25-5.35 GHz	802.11a	52	5260	6Mbps	16.00	15.92
		56	5280		16.00	15.96
		60	5300		16.00	15.86
		64	5320		16.00	15.85
	802.11n20-HT0	52	5260	MCS0	16.00	15.68
		56	5280		16.00	15.81
		60	5300		16.00	15.71
		64	5320		16.00	15.77
	802.11ac20-VHT0	52	5260	MCS0	16.00	15.79
		56	5280		16.00	15.75
		60	5300		16.00	15.85
		64	5320		16.00	15.73
	802.11ax20-HE0	52	5260	MCS0	16.00	15.70
		56	5280		16.00	15.77
		60	5300		16.00	15.75
		64	5320		16.00	15.77
	802.11n40-HT0	54	5270	MCS0	16.00	15.95
		62	5310		16.00	15.99
	802.11ac40-VHT0	54	5270	MCS0	16.00	15.76
		62	5310		16.00	15.80
802.11ax40-HE0	54	5270	MCS0	16.00	15.68	
	62	5310		16.00	15.78	
802.11ac80-VHT0	58	5290	MCS0	16.00	15.98	
802.11ax80-HE0	58	5290	MCS0	16.00	15.87	

Unless otherwise stated the results shown in this test report refer only to the sample(s) tested and such sample(s) are retained for 90 days only.

除非另有說明，此報告結果僅對測試之樣品負責，同時此樣品僅保留90天。本報告未經本公司書面許可，不可部份複製。

This document is issued by the Company subject to its General Conditions of Service printed overleaf, available on request or accessible at <http://www.sgs.com.tw/Terms-and-Conditions> and for electronic format documents, subject to Terms and Conditions for Electronic Documents at <http://www.sgs.com.tw/Terms-and-Conditions>. Attention is drawn to the limitation of liability, indemnification and jurisdiction issues defined therein. Any holder of this document is advised that information contained hereon reflects the Company's findings at the time of its intervention only and within the limits of Client's instructions, if any. The Company's sole responsibility is to its Client and this document does not exonerate parties to a transaction from exercising all their rights and obligations under the transaction documents. This document cannot be reproduced except in full, without prior written approval of the Company. Any unauthorized alteration, forgery or falsification of the content or appearance of this document is unlawful and offenders may be prosecuted to the fullest extent of the law.

Ant 1(chain A)						
Band	Mode	Channel	Frequency (MHz)	Data Rate	Max. Rated Avg. Power + Max. Tolerance (dBm)	Average power (dBm)
5.25-5.35 GHz	802.11a	52	5260	6Mbps	16.00	15.91
		56	5280		16.00	15.86
		60	5300		16.00	15.96
		64	5320		16.00	15.95
	802.11n20-HT0	52	5260	MCS0	16.00	15.55
		56	5280		16.00	15.60
		60	5300		16.00	15.65
		64	5320		16.00	15.71
	802.11ac20-VHT0	52	5260	MCS0	16.00	15.63
		56	5280		16.00	15.61
		60	5300		16.00	15.61
		64	5320		16.00	15.64
	802.11ax20-HE0	52	5260	MCS0	16.00	15.66
		56	5280		16.00	15.66
		60	5300		16.00	15.60
		64	5320		16.00	15.56
	802.11n40-HT0	54	5270	MCS0	16.00	15.99
		62	5310		16.00	15.92
	802.11ac40-VHT0	54	5270	MCS0	16.00	15.77
		62	5310		16.00	15.73
802.11ax40-HE0	54	5270	MCS0	16.00	15.61	
	62	5310		16.00	15.79	
802.11ac80-VHT0	58	5290	MCS0	16.00	15.96	
802.11ax80-HE0	58	5290	MCS0	16.00	15.89	

Unless otherwise stated the results shown in this test report refer only to the sample(s) tested and such sample(s) are retained for 90 days only.

除非另有說明，此報告結果僅對測試之樣品負責，同時此樣品僅保留90天。本報告未經本公司書面許可，不可部份複製。

This document is issued by the Company subject to its General Conditions of Service printed overleaf, available on request or accessible at <http://www.sgs.com.tw/Terms-and-Conditions> and for electronic format documents, subject to Terms and Conditions for Electronic Documents at <http://www.sgs.com.tw/Terms-and-Conditions>. Attention is drawn to the limitation of liability, indemnification and jurisdiction issues defined therein. Any holder of this document is advised that information contained hereon reflects the Company's findings at the time of its intervention only and within the limits of Client's instructions, if any. The Company's sole responsibility is to its Client and this document does not exonerate parties to a transaction from exercising all their rights and obligations under the transaction documents. This document cannot be reproduced except in full, without prior written approval of the Company. Any unauthorized alteration, forgery or falsification of the content or appearance of this document is unlawful and offenders may be prosecuted to the fullest extent of the law.

Ant 2(chain B)						
Band	Mode	Channel	Frequency (MHz)	Data Rate	Max. Rated Avg. Power + Max. Tolerance (dBm)	Average power (dBm)
5.6GHz	802.11a	100	5500	6Mbps	16.50	16.31
		120	5600		16.50	16.30
		140	5700		16.50	16.03
		144	5720		16.50	16.38
	802.11n20-HT0	100	5500	MCS0	16.50	16.30
		120	5600		16.50	16.37
		140	5700		16.50	16.17
		144	5720		16.50	16.36
	802.11ac20-VHT0	100	5500	MCS0	16.50	16.44
		120	5600		16.50	16.42
		140	5700		16.50	16.06
		144	5720		16.50	16.37
	802.11ax20-HE0	100	5500	MCS0	16.50	16.38
		120	5600		16.50	16.34
		140	5700		16.50	16.22
		144	5720		16.50	16.42
	802.11n40-HT0	102	5510	MCS0	16.50	16.41
		118	5590		16.50	16.37
		134	5670		16.50	16.48
		142	5710		16.50	16.45
	802.11ac40-VHT0	102	5510	MCS0	16.50	16.32
		118	5590		16.50	16.32
		134	5670		16.50	16.14
		142	5710		16.50	16.38
	802.11ax40-HE0	102	5510	MCS0	16.50	15.61
		118	5590		16.50	16.36
		134	5670		16.50	16.36
		142	5710		16.50	16.38
	802.11ac80-VHT0	106	5530	MCS0	16.50	16.40
		122	5610		16.50	16.35
		138	5690		16.50	16.48
	802.11ax80-HE0	106	5530	MCS0	16.50	16.43
122		5610	16.50		16.31	
138		5690	16.50		16.29	
802.11ac160-VHT0	114	5570	MCS0	15.75	15.37	
802.11ax160-HE0	114	5570	MCS0	15.75	15.27	

Unless otherwise stated the results shown in this test report refer only to the sample(s) tested and such sample(s) are retained for 90 days only.

除非另有說明，此報告結果僅對測試之樣品負責，同時此樣品僅保留90天。本報告未經本公司書面許可，不可部份複製。

This document is issued by the Company subject to its General Conditions of Service printed overleaf, available on request or accessible at <http://www.sgs.com.tw/Terms-and-Conditions> and for electronic format documents, subject to Terms and Conditions for Electronic Documents at <http://www.sgs.com.tw/Terms-and-Conditions>. Attention is drawn to the limitation of liability, indemnification and jurisdiction issues defined therein. Any holder of this document is advised that information contained hereon reflects the Company's findings at the time of its intervention only and within the limits of Client's instructions, if any. The Company's sole responsibility is to its Client and this document does not exonerate parties to a transaction from exercising all their rights and obligations under the transaction documents. This document cannot be reproduced except in full, without prior written approval of the Company. Any unauthorized alteration, forgery or falsification of the content or appearance of this document is unlawful and offenders may be prosecuted to the fullest extent of the law.

Ant 1(chain A)						
Band	Mode	Channel	Frequency (MHz)	Data Rate	Max. Rated Avg. Power + Max. Tolerance (dBm)	Average power (dBm)
5.6GHz	802.11a	100	5500	6Mbps	16.50	16.38
		120	5600		16.50	16.49
		140	5700		16.50	16.29
		144	5720		16.50	16.38
	802.11n20-HT0	100	5500	MCS0	16.50	16.39
		120	5600		16.50	16.48
		140	5700		16.50	16.12
		144	5720		16.50	16.42
	802.11ac20-VHT0	100	5500	MCS0	16.50	16.43
		120	5600		16.50	16.50
		140	5700		16.50	16.27
		144	5720		16.50	16.46
	802.11ax20-HE0	100	5500	MCS0	16.50	16.37
		120	5600		16.50	16.42
		140	5700		16.50	16.16
		144	5720		16.50	16.34
	802.11n40-HT0	102	5510	MCS0	16.50	16.42
		118	5590		16.50	16.38
		134	5670		16.50	16.44
		142	5710		16.50	16.41
	802.11ac40-VHT0	102	5510	MCS0	16.50	16.19
		118	5590		16.50	16.50
		134	5670		16.50	16.39
		142	5710		16.50	16.46
	802.11ax40-HE0	102	5510	MCS0	16.50	16.17
		118	5590		16.50	16.45
		134	5670		16.50	16.41
		142	5710		16.50	16.36
	802.11ac80-VHT0	106	5530	MCS0	16.50	16.48
		122	5610		16.50	16.41
		138	5690		16.50	16.45
	802.11ax80-HE0	106	5530	MCS0	16.50	16.23
122		5610	16.50		16.34	
138		5690	16.50		16.28	
802.11ac160-VHT0	114	5570	MCS0	15.25	15.21	
802.11ax160-HE0	114	5570	MCS0	15.25	15.23	

Unless otherwise stated the results shown in this test report refer only to the sample(s) tested and such sample(s) are retained for 90 days only.

除非另有說明，此報告結果僅對測試之樣品負責，同時此樣品僅保留90天。本報告未經本公司書面許可，不可部份複製。

This document is issued by the Company subject to its General Conditions of Service printed overleaf, available on request or accessible at <http://www.sgs.com.tw/Terms-and-Conditions> and for electronic format documents, subject to Terms and Conditions for Electronic Documents at <http://www.sgs.com.tw/Terms-and-Conditions>. Attention is drawn to the limitation of liability, indemnification and jurisdiction issues defined therein. Any holder of this document is advised that information contained hereon reflects the Company's findings at the time of its intervention only and within the limits of Client's instructions, if any. The Company's sole responsibility is to its Client and this document does not exonerate parties to a transaction from exercising all their rights and obligations under the transaction documents. This document cannot be reproduced except in full, without prior written approval of the Company. Any unauthorized alteration, forgery or falsification of the content or appearance of this document is unlawful and offenders may be prosecuted to the fullest extent of the law.

Ant 2(chain B)						
Mode	Mode	Channel	Frequency (MHz)	Data Rate	Max. Rated Avg. Power + Max. Tolerance (dBm)	Average power (dBm)
5.8GHz	802.11a	149	5745	6Mbps	16.50	16.28
		157	5785		16.50	16.16
		165	5825		16.50	16.27
	802.11n20-HT0	149	5745	MCS0	16.50	16.08
		157	5785		16.50	16.18
		165	5825		16.50	16.25
	802.11ac20-VHT0	149	5745	MCS0	16.50	16.25
		157	5785		16.50	16.11
		165	5825		16.50	16.16
	802.11ax20-HE0	149	5745	MCS0	16.50	16.10
		157	5785		16.50	16.23
		165	5825		16.50	16.13
	802.11n40-HT0	151	5755	MCS0	16.50	16.42
		159	5795		16.50	16.40
	802.11ac40-VHT0	151	5755	MCS0	16.50	16.29
159		5795	16.50		16.20	
802.11ax40-HE0	151	5755	MCS0	16.50	16.17	
	159	5795		16.50	16.33	
802.11ac80-VHT0	155	5775	MCS0	16.50	16.42	
802.11ax80-HE0	155	5775	MCS0	16.50	16.36	

Ant 1(chain A)						
Mode	Mode	Channel	Frequency (MHz)	Data Rate	Max. Rated Avg. Power + Max. Tolerance (dBm)	Average power (dBm)
5.8GHz	802.11a	149	5745	6Mbps	17.50	17.36
		157	5785		17.50	16.43
		165	5825		17.50	16.40
	802.11n20-HT0	149	5745	MCS0	17.50	16.28
		157	5785		17.50	16.26
		165	5825		17.50	16.30
	802.11ac20-VHT0	149	5745	MCS0	17.50	16.30
		157	5785		17.50	16.24
		165	5825		17.50	16.28
	802.11ax20-HE0	149	5745	MCS0	17.50	16.27
		157	5785		17.50	16.41
		165	5825		17.50	16.30
	802.11n40-HT0	151	5755	MCS0	17.50	17.49
		159	5795		17.50	17.41
	802.11ac40-VHT0	151	5755	MCS0	17.50	16.31
159		5795	17.50		16.28	
802.11ax40-HE0	151	5755	MCS0	17.50	16.31	
	159	5795		17.50	16.24	
802.11ac80-VHT0	155	5775	MCS0	17.50	17.49	
802.11ax80-HE0	155	5775	MCS0	17.50	17.35	

Unless otherwise stated the results shown in this test report refer only to the sample(s) tested and such sample(s) are retained for 90 days only.

除非另有說明，此報告結果僅對測試之樣品負責，同時此樣品僅保留90天。本報告未經本公司書面許可，不可部份複製。

This document is issued by the Company subject to its General Conditions of Service printed overleaf, available on request or accessible at <http://www.sgs.com.tw/Terms-and-Conditions> and for electronic format documents, subject to Terms and Conditions for Electronic Documents at <http://www.sgs.com.tw/Terms-and-Conditions>. Attention is drawn to the limitation of liability, indemnification and jurisdiction issues defined therein. Any holder of this document is advised that information contained hereon reflects the Company's findings at the time of its intervention only and within the limits of Client's instructions, if any. The Company's sole responsibility is to its Client and this document does not exonerate parties to a transaction from exercising all their rights and obligations under the transaction documents. This document cannot be reproduced except in full, without prior written approval of the Company. Any unauthorized alteration, forgery or falsification of the content or appearance of this document is unlawful and offenders may be prosecuted to the fullest extent of the law.

6.10 WIFI 6E

Ant 2(chain B)						
Band	Mode	Channel	Frequency (MHz)	Data Rate	Max. Rated Avg. Power + Max. Tolerance (dBm)	Average power (dBm)
U-NII-5 6.2GHz	802.11ax20-HE0	1	5955	MCS0	4.50	4.42
		45	6175		4.50	4.29
		93	6415		4.50	4.43
	802.11ax40-HE0	3	5965	MCS0	7.75	7.67
		43	6165		7.75	7.57
		91	6405		7.75	7.70
	802.11ax80-HE0	7	5985	MCS0	10.25	9.89
		39	6145		10.25	9.93
		87	6385		10.25	9.96
	802.11ax160-HE0	15	6025	MCS0	13.00	12.97
		47	6185		13.00	12.92
		79	6345		13.00	12.91

Ant 1(chain A)						
Band	Mode	Channel	Frequency (MHz)	Data Rate	Max. Rated Avg. Power + Max. Tolerance (dBm)	Average power (dBm)
U-NII-5 6.2GHz	802.11ax20-HE0	1	5955	MCS0	4.50	4.40
		45	6175		4.50	4.31
		93	6415		4.50	4.45
	802.11ax40-HE0	3	5965	MCS0	7.75	7.62
		43	6165		7.75	7.58
		91	6405		7.75	7.70
	802.11ax80-HE0	7	5985	MCS0	10.25	9.84
		39	6145		10.25	9.92
		87	6385		10.25	9.91
	802.11ax160-HE0	15	6025	MCS0	13.00	12.97
		47	6185		13.00	12.92
		79	6345		13.00	12.91

Unless otherwise stated the results shown in this test report refer only to the sample(s) tested and such sample(s) are retained for 90 days only.

除非另有說明，此報告結果僅對測試之樣品負責，同時此樣品僅保留90天。本報告未經本公司書面許可，不可部份複製。

This document is issued by the Company subject to its General Conditions of Service printed overleaf, available on request or accessible at <http://www.sgs.com.tw/Terms-and-Conditions> and for electronic format documents, subject to Terms and Conditions for Electronic Documents at <http://www.sgs.com.tw/Terms-and-Conditions>. Attention is drawn to the limitation of liability, indemnification and jurisdiction issues defined therein. Any holder of this document is advised that information contained hereon reflects the Company's findings at the time of its intervention only and within the limits of Client's instructions, if any. The Company's sole responsibility is to its Client and this document does not exonerate parties to a transaction from exercising all their rights and obligations under the transaction documents. This document cannot be reproduced except in full, without prior written approval of the Company. Any unauthorized alteration, forgery or falsification of the content or appearance of this document is unlawful and offenders may be prosecuted to the fullest extent of the law.

Ant 2(chain B)						
Band	Mode	Channel	Frequency (MHz)	Data Rate	Max. Rated Avg. Power + Max. Tolerance (dBm)	Average power (dBm)
U-NII-6 6.5GHz	802.11ax20-HE0	97	6435	MCS0	4.50	4.29
		105	6475		4.50	4.39
		113	6515		4.50	4.36
	802.11ax40-HE0	99	6445	MCS0	7.75	7.70
		107	6485		7.75	7.61
	802.11ax80-HE0	103	6465	MCS0	10.25	10.11
		119	6545		10.25	10.09
	802.11ax160-HE0	111	6505	MCS0	13.00	12.98

Ant 1(chain A)						
Band	Mode	Channel	Frequency (MHz)	Data Rate	Max. Rated Avg. Power + Max. Tolerance (dBm)	Average power (dBm)
U-NII-6 6.5GHz	802.11ax20-HE0	97	6435	MCS0	4.50	4.26
		105	6475		4.50	4.35
		113	6515		4.50	4.33
	802.11ax40-HE0	99	6445	MCS0	7.75	7.69
		107	6485		7.75	7.63
	802.11ax80-HE0	103	6465	MCS0	10.25	10.14
		119	6545		10.25	10.10
	802.11ax160-HE0	111	6505	MCS0	13.00	12.95

Unless otherwise stated the results shown in this test report refer only to the sample(s) tested and such sample(s) are retained for 90 days only.

除非另有說明，此報告結果僅對測試之樣品負責，同時此樣品僅保留90天。本報告未經本公司書面許可，不可部份複製。

This document is issued by the Company subject to its General Conditions of Service printed overleaf, available on request or accessible at <http://www.sgs.com.tw/Terms-and-Conditions> and for electronic format documents, subject to Terms and Conditions for Electronic Documents at <http://www.sgs.com.tw/Terms-and-Conditions>. Attention is drawn to the limitation of liability, indemnification and jurisdiction issues defined therein. Any holder of this document is advised that information contained hereon reflects the Company's findings at the time of its intervention only and within the limits of Client's instructions, if any. The Company's sole responsibility is to its Client and this document does not exonerate parties to a transaction from exercising all their rights and obligations under the transaction documents. This document cannot be reproduced except in full, without prior written approval of the Company. Any unauthorized alteration, forgery or falsification of the content or appearance of this document is unlawful and offenders may be prosecuted to the fullest extent of the law.

Ant 2(chain B)						
Band	Mode	Channel	Frequency (MHz)	Data Rate	Max. Rated Avg. Power + Max. Tolerance (dBm)	Average power (dBm)
U-NII-7 6.7GHz	802.11ax20-HE0	117	6535	MCS0	3.75	3.57
		149	6695		3.75	3.72
		181	6855		3.75	3.49
	802.11ax40-HE0	115	6525	MCS0	7.00	6.97
		147	6685		7.00	6.90
		179	6845		7.00	6.96
	802.11ax80-HE0	135	6625	MCS0	9.50	9.32
		151	6705		9.50	9.38
		167	6785		9.50	9.36
	802.11ax160-HE0	143	6665	MCS0	12.25	12.14
		175	6825		12.25	12.19

Ant 1(chain A)						
Band	Mode	Channel	Frequency (MHz)	Data Rate	Max. Rated Avg. Power + Max. Tolerance (dBm)	Average power (dBm)
U-NII-7 6.7GHz	802.11ax20-HE0	117	6535	MCS0	3.75	3.52
		149	6695		3.75	3.71
		181	6855		3.75	3.51
	802.11ax40-HE0	115	6525	MCS0	7.00	6.95
		147	6685		7.00	6.88
		179	6845		7.00	6.93
	802.11ax80-HE0	135	6625	MCS0	9.50	9.31
		151	6705		9.50	9.35
		167	6785		9.50	9.33
	802.11ax160-HE0	143	6665	MCS0	12.25	12.16
		175	6825		12.25	12.21

Unless otherwise stated the results shown in this test report refer only to the sample(s) tested and such sample(s) are retained for 90 days only.

除非另有說明，此報告結果僅對測試之樣品負責，同時此樣品僅保留90天。本報告未經本公司書面許可，不可部份複製。

This document is issued by the Company subject to its General Conditions of Service printed overleaf, available on request or accessible at <http://www.sgs.com.tw/Terms-and-Conditions> and for electronic format documents, subject to Terms and Conditions for Electronic Documents at <http://www.sgs.com.tw/Terms-and-Conditions>. Attention is drawn to the limitation of liability, indemnification and jurisdiction issues defined therein. Any holder of this document is advised that information contained hereon reflects the Company's findings at the time of its intervention only and within the limits of Client's instructions, if any. The Company's sole responsibility is to its Client and this document does not exonerate parties to a transaction from exercising all their rights and obligations under the transaction documents. This document cannot be reproduced except in full, without prior written approval of the Company. Any unauthorized alteration, forgery or falsification of the content or appearance of this document is unlawful and offenders may be prosecuted to the fullest extent of the law.

Ant 2(chain B)						
Mode	Mode	Channel	Frequency (MHz)	Data Rate	Max. Rated Avg. Power + Max. Tolerance (dBm)	Average power (dBm)
U-NII-8 7.0GHz	802.11ax20-HE0	185	6875	MCS0	3.75	3.55
		209	6995		3.75	3.59
		233	7115		3.75	3.56
	802.11ax40-HE0	187	6885	MCS0	7.00	6.98
		227	7085		7.00	6.99
	802.11ax80-HE0	183	6865	MCS0	9.50	9.34
		199	6945		9.50	9.40
		215	7025		9.50	9.33
	802.11ax160-HE0	207	6985	MCS0	12.25	12.21

Ant 1(chain A)						
Mode	Mode	Channel	Frequency (MHz)	Data Rate	Max. Rated Avg. Power + Max. Tolerance (dBm)	Average power (dBm)
U-NII-8 7.0GHz	802.11ax20-HE0	185	6875	MCS0	3.75	3.65
		209	6995		3.75	3.69
		233	7115		3.75	3.66
	802.11ax40-HE0	187	6885	MCS0	7.00	6.95
		227	7085		7.00	6.93
	802.11ax80-HE0	183	6865	MCS0	9.50	9.36
		199	6945		9.50	9.44
		215	7025		9.50	9.43
	802.11ax160-HE0	207	6985	MCS0	12.25	12.24

Unless otherwise stated the results shown in this test report refer only to the sample(s) tested and such sample(s) are retained for 90 days only.

除非另有說明，此報告結果僅對測試之樣品負責，同時此樣品僅保留90天。本報告未經本公司書面許可，不可部份複製。

This document is issued by the Company subject to its General Conditions of Service printed overleaf, available on request or accessible at <http://www.sgs.com.tw/Terms-and-Conditions> and for electronic format documents, subject to Terms and Conditions for Electronic Documents at <http://www.sgs.com.tw/Terms-and-Conditions>. Attention is drawn to the limitation of liability, indemnification and jurisdiction issues defined therein. Any holder of this document is advised that information contained hereon reflects the Company's findings at the time of its intervention only and within the limits of Client's instructions, if any. The Company's sole responsibility is to its Client and this document does not exonerate parties to a transaction from exercising all their rights and obligations under the transaction documents. This document cannot be reproduced except in full, without prior written approval of the Company. Any unauthorized alteration, forgery or falsification of the content or appearance of this document is unlawful and offenders may be prosecuted to the fullest extent of the law.

6.11 Bluetooth

Mode	Channel	Frequency (MHz)	1Mbps		2Mbps		3Mbps	
			Max. Rated Avg. Power + Max. Tolerance (dBm)	Average power (dBm)	Max. Rated Avg. Power + Max. Tolerance (dBm)	Average power (dBm)	Max. Rated Avg. Power + Max. Tolerance (dBm)	Average power (dBm)
BR/EDR	CH 00	2402	10.50	8.68	9.50	6.86	9.50	6.67
	CH 39	2441		8.91		7.10		7.11
	CH 78	2480		9.00		7.11		7.12

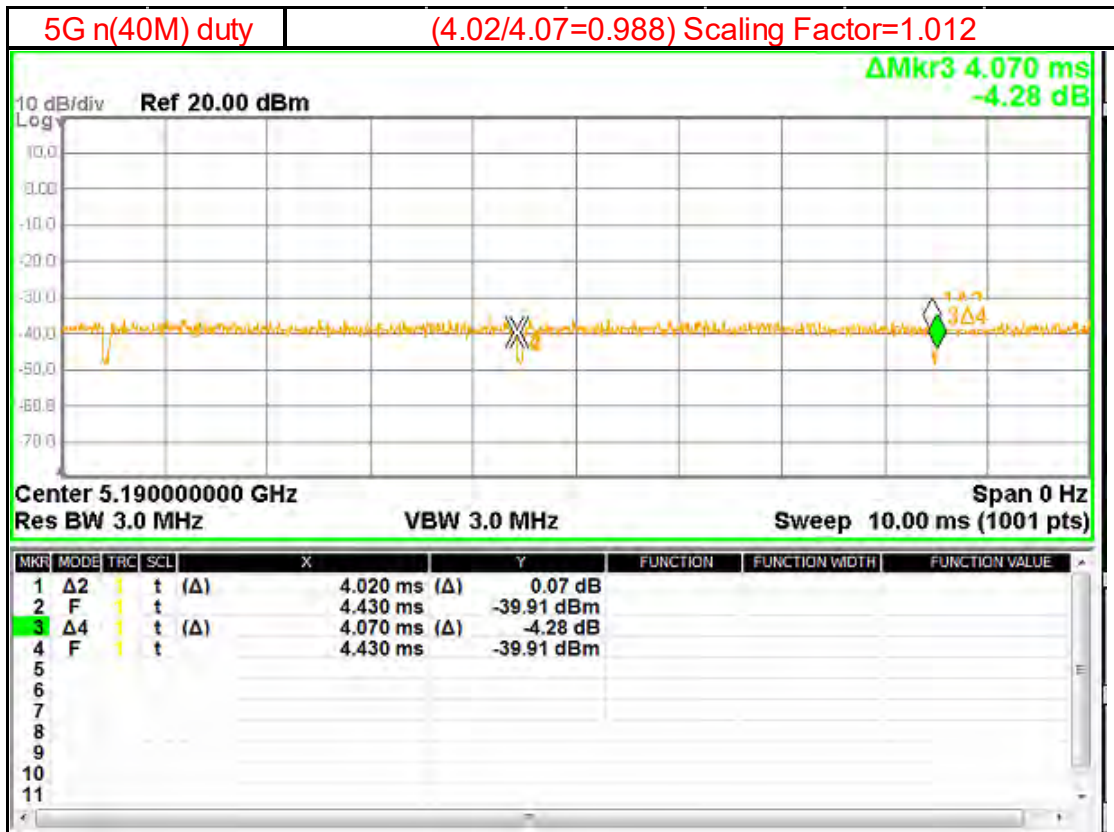
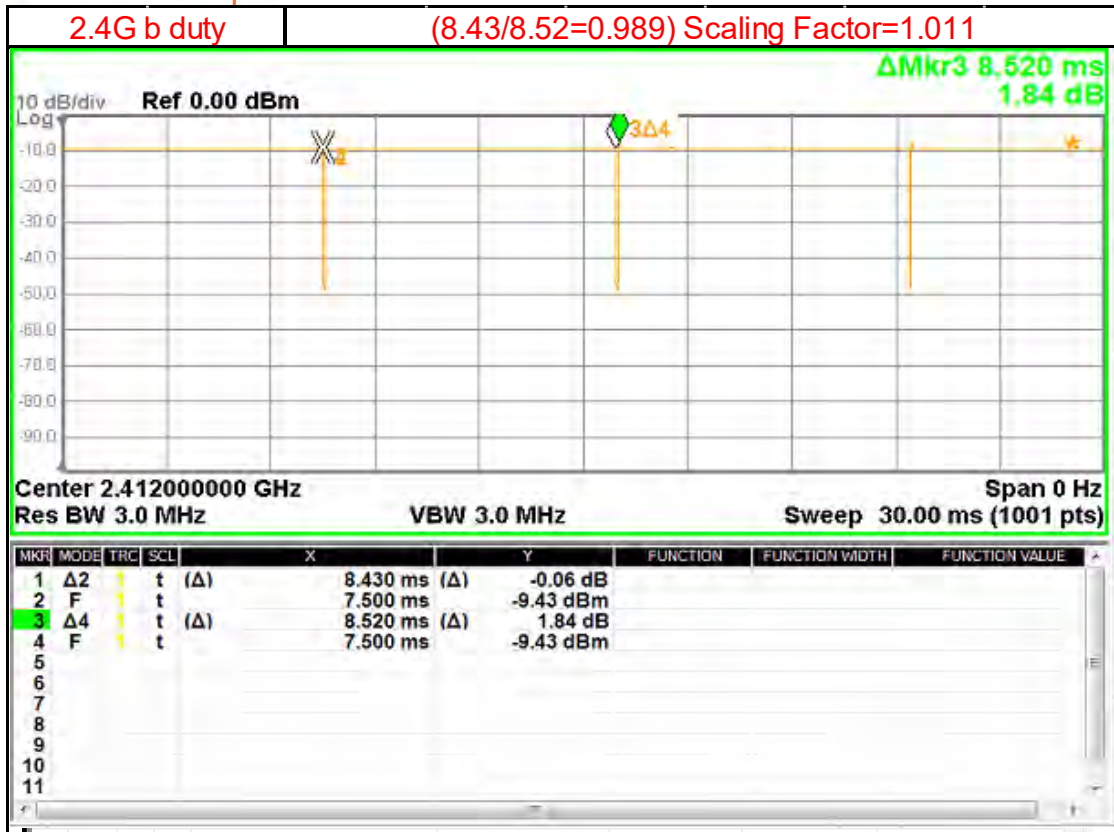
6.12 BLE

Mode	Channel	Frequency (MHz)	GFSK	
			Max. Rated Avg. Power + Max. Tolerance (dBm)	Average Output Power (dBm)
BLE_1M	CH 00	2402	9	8.79
	CH 19	2440		8.84
	CH 39	2480		8.97

Unless otherwise stated the results shown in this test report refer only to the sample(s) tested and such sample(s) are retained for 90 days only.

除非另有說明，此報告結果僅對測試之樣品負責，同時此樣品僅保留90天。本報告未經本公司書面許可，不可部份複製。

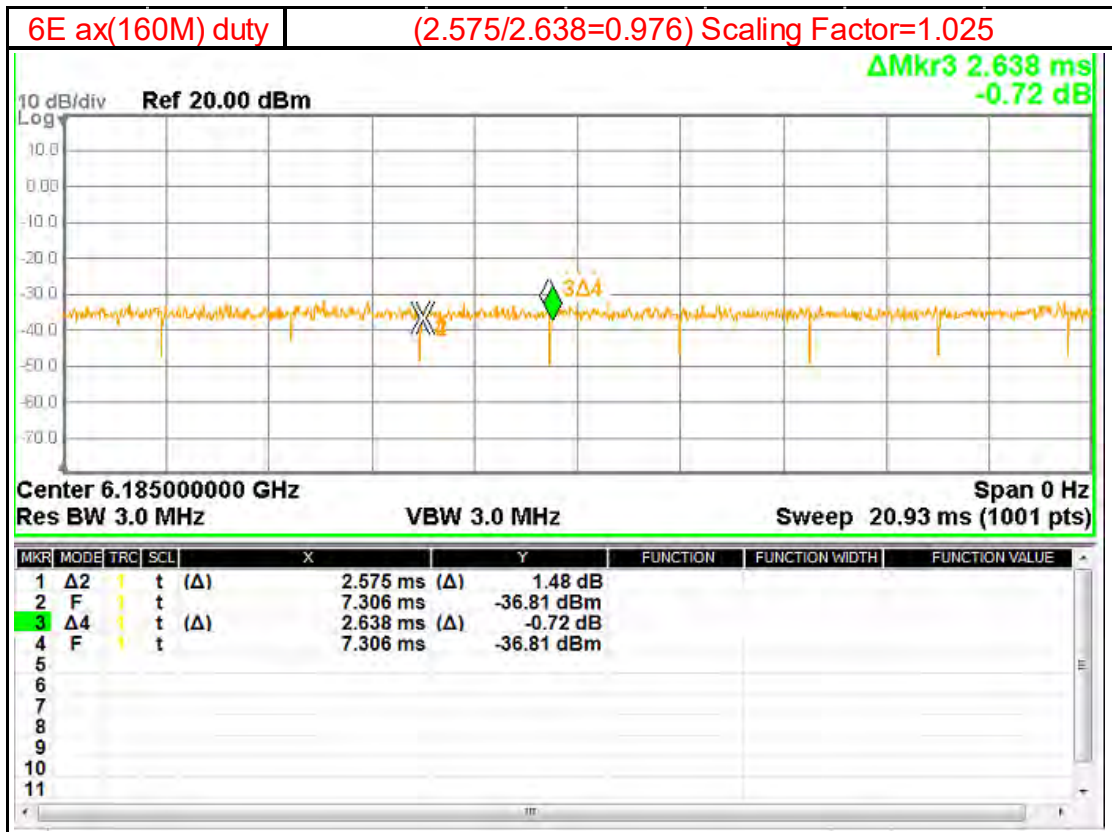
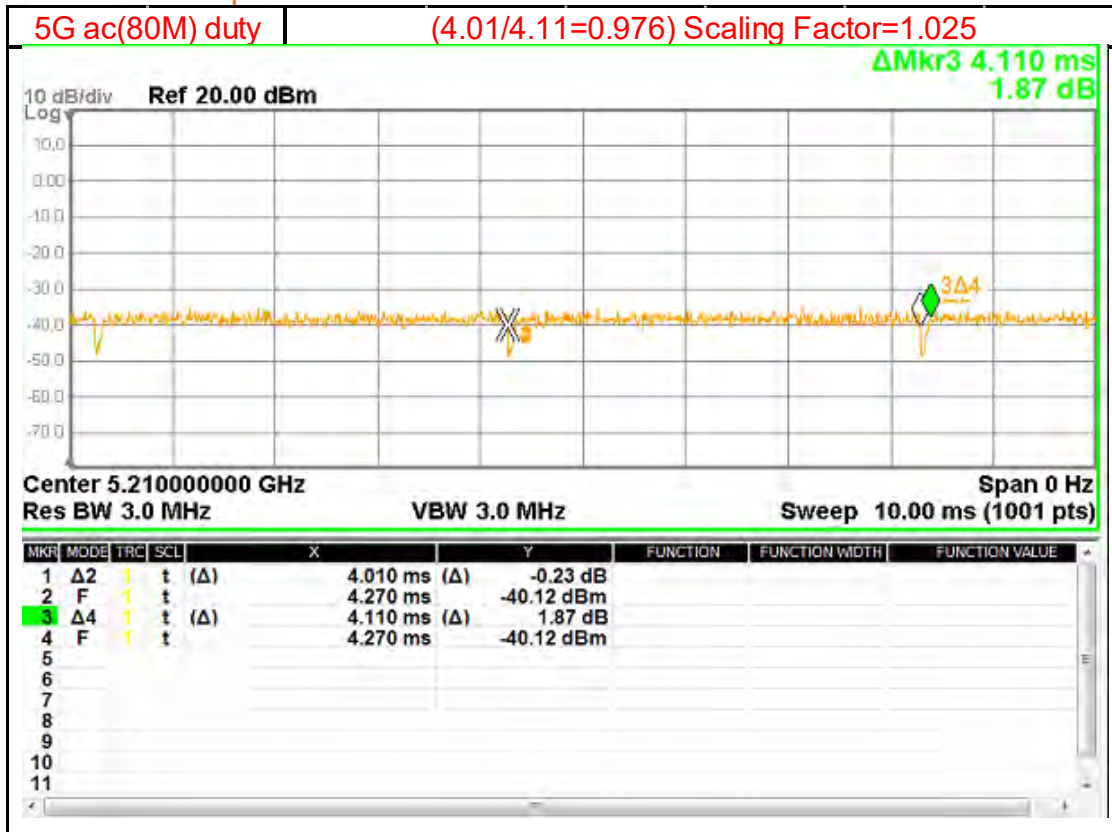
This document is issued by the Company subject to its General Conditions of Service printed overleaf, available on request or accessible at <http://www.sgs.com.tw/Terms-and-Conditions> and for electronic format documents, subject to Terms and Conditions for Electronic Documents at <http://www.sgs.com.tw/Terms-and-Conditions>. Attention is drawn to the limitation of liability, indemnification and jurisdiction issues defined therein. Any holder of this document is advised that information contained hereon reflects the Company's findings at the time of its intervention only and within the limits of Client's instructions, if any. The Company's sole responsibility is to its Client and this document does not exonerate parties to a transaction from exercising all their rights and obligations under the transaction documents. This document cannot be reproduced except in full, without prior written approval of the Company. Any unauthorized alteration, forgery or falsification of the content or appearance of this document is unlawful and offenders may be prosecuted to the fullest extent of the law.



Unless otherwise stated the results shown in this test report refer only to the sample(s) tested and such sample(s) are retained for 90 days only.

除非另有說明，此報告結果僅對測試之樣品負責，同時此樣品僅保留90天。本報告未經本公司書面許可，不可部份複製。

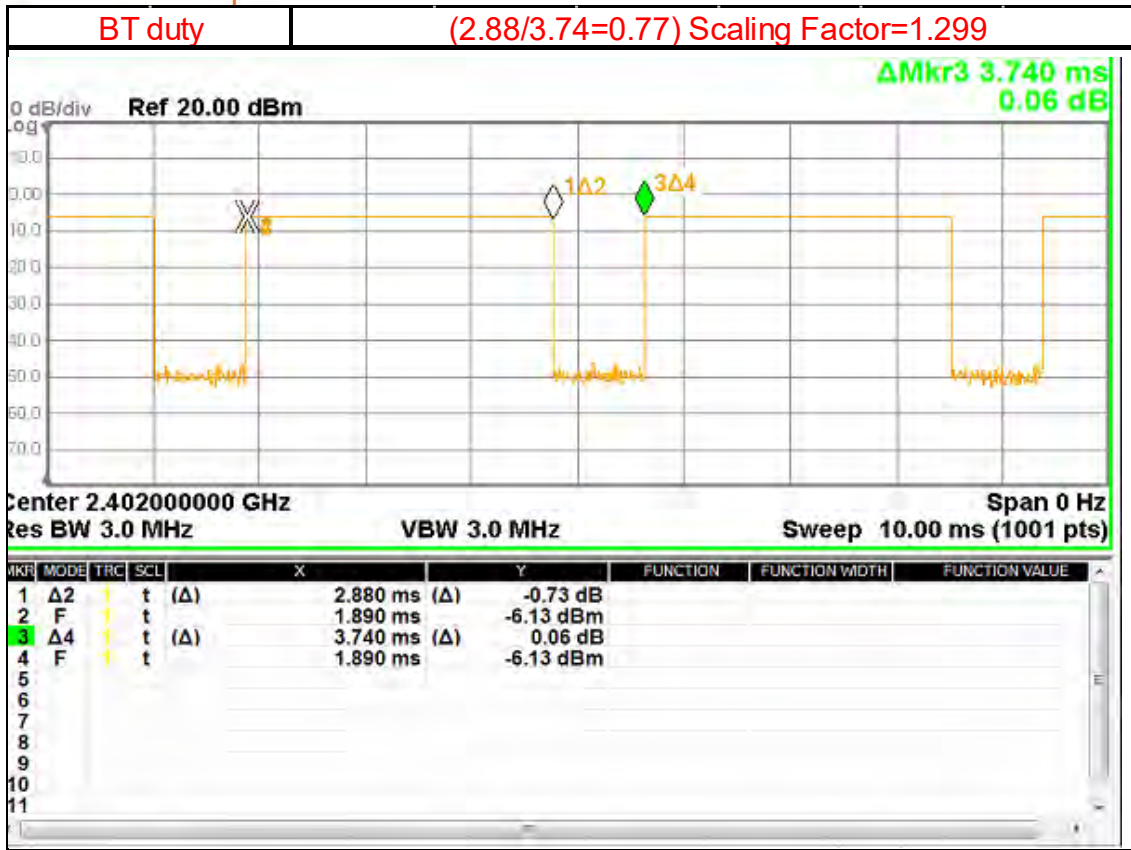
This document is issued by the Company subject to its General Conditions of Service printed overleaf, available on request or accessible at <http://www.sgs.com.tw/Terms-and-Conditions> and for electronic format documents, subject to Terms and Conditions for Electronic Documents at <http://www.sgs.com.tw/Terms-and-Conditions>. Attention is drawn to the limitation of liability, indemnification and jurisdiction issues defined therein. Any holder of this document is advised that information contained hereon reflects the Company's findings at the time of its intervention only and within the limits of Client's instructions, if any. The Company's sole responsibility is to its Client and this document does not exonerate parties to a transaction from exercising all their rights and obligations under the transaction documents. This document cannot be reproduced except in full, without prior written approval of the Company. Any unauthorized alteration, forgery or falsification of the content or appearance of this document is unlawful and offenders may be prosecuted to the fullest extent of the law.



Unless otherwise stated the results shown in this test report refer only to the sample(s) tested and such sample(s) are retained for 90 days only.

除非另有說明，此報告結果僅對測試之樣品負責，同時此樣品僅保留90天。本報告未經本公司書面許可，不可部份複製。

This document is issued by the Company subject to its General Conditions of Service printed overleaf, available on request or accessible at <http://www.sgs.com.tw/Terms-and-Conditions> and for electronic format documents, subject to Terms and Conditions for Electronic Documents at <http://www.sgs.com.tw/Terms-and-Conditions>. Attention is drawn to the limitation of liability, indemnification and jurisdiction issues defined therein. Any holder of this document is advised that information contained hereon reflects the Company's findings at the time of its intervention only and within the limits of Client's instructions, if any. The Company's sole responsibility is to its Client and this document does not exonerate parties to a transaction from exercising all their rights and obligations under the transaction documents. This document cannot be reproduced except in full, without prior written approval of the Company. Any unauthorized alteration, forgery or falsification of the content or appearance of this document is unlawful and offenders may be prosecuted to the fullest extent of the law.



Unless otherwise stated the results shown in this test report refer only to the sample(s) tested and such sample(s) are retained for 90 days only.

除非另有說明，此報告結果僅對測試之樣品負責，同時此樣品僅保留90天。本報告未經本公司書面許可，不可部份複製。

This document is issued by the Company subject to its General Conditions of Service printed overleaf, available on request or accessible at <http://www.sgs.com.tw/Terms-and-Conditions> and for electronic format documents, subject to Terms and Conditions for Electronic Documents at <http://www.sgs.com.tw/Terms-and-Conditions>. Attention is drawn to the limitation of liability, indemnification and jurisdiction issues defined therein. Any holder of this document is advised that information contained hereon reflects the Company's findings at the time of its intervention only and within the limits of Client's instructions, if any. The Company's sole responsibility is to its Client and this document does not exonerate parties to a transaction from exercising all their rights and obligations under the transaction documents. This document cannot be reproduced except in full, without prior written approval of the Company. Any unauthorized alteration, forgery or falsification of the content or appearance of this document is unlawful and offenders may be prosecuted to the fullest extent of the law.

7 SUMMARY OF RESULTS

7.1 Decision rules

Reported measurement data comply with Test Methodology in section 1.1.

Determining compliance shall be based on the results of the compliance measurement, not taking into account measurement instrumentation uncertainty.

7.2 Summary of SAR Results

WWAN

ANT 5

Band	Position	Distance (mm)	CH	Freq. (MHz)	Max. Rated Avg. Power + Max. Tolerance (dBm)	Measured Avg. Power (dBm)	Scaling	Averaged SAR over 1g (W/kg)		Plot page
								Measured	Reported	
WCDMA Band II	Bottom Surface	0	9262	1852.4	17.5	16.72	119.67%	0.801	0.959	-
WCDMA Band II	Bottom Surface	0	9400	1880	17.5	16.84	116.41%	0.754	0.878	-
WCDMA Band II	Bottom Surface	0	9538	1907.6	17.5	16.74	119.12%	0.858	1.022	036
WCDMA Band II	Bottom Surface*	0	9538	1907.6	17.5	16.74	119.12%	0.833	0.992	-
WCDMA Band IV	Bottom Surface	0	1312	1712.4	18.5	17.97	112.98%	0.634	0.716	-
WCDMA Band IV	Bottom Surface	0	1412	1732.4	18.5	18.01	111.94%	0.663	0.742	-
WCDMA Band IV	Bottom Surface	0	1513	1752.6	18.5	18.08	110.15%	0.781	0.860	037
WCDMA Band V	Bottom Surface	0	4132	826.4	22.0	21.35	116.14%	0.603	0.700	038
WCDMA Band V	Bottom Surface	0	4183	836.6	22.0	21.33	116.68%	0.549	0.641	-
WCDMA Band V	Bottom Surface	0	4233	846.6	22.0	21.30	117.49%	0.567	0.666	-

Unless otherwise stated the results shown in this test report refer only to the sample(s) tested and such sample(s) are retained for 90 days only.

除非另有說明，此報告結果僅對測試之樣品負責，同時此樣品僅保留90天。本報告未經本公司書面許可，不可部份複製。

This document is issued by the Company subject to its General Conditions of Service printed overleaf, available on request or accessible at <http://www.sgs.com.tw/Terms-and-Conditions> and for electronic format documents, subject to Terms and Conditions for Electronic Documents at <http://www.sgs.com.tw/Terms-and-Conditions>. Attention is drawn to the limitation of liability, indemnification and jurisdiction issues defined therein. Any holder of this document is advised that information contained hereon reflects the Company's findings at the time of its intervention only and within the limits of Client's instructions, if any. The Company's sole responsibility is to its Client and this document does not exonerate parties to a transaction from exercising all their rights and obligations under the transaction documents. This document cannot be reproduced except in full, without prior written approval of the Company. Any unauthorized alteration, forgery or falsification of the content or appearance of this document is unlawful and offenders may be prosecuted to the fullest extent of the law.



Table with columns: Mode, Bandwidth (MHz), Modulation, RB Size, RB start, Position, Distance (mm), CH, Freq. (MHz), Max. Rated Avg. Power + Max. Tolerance (dBm), Measured Avg. Power (dBm), Scaling, Averaged SAR over 1g (W/kg) [Measured, Reported], Plot page. Rows include various LTE bands (e.g., LTE Band 2, LTE Band 4, LTE Band 5, LTE Band 7, LTE Band 12, LTE Band 13, LTE Band 14, LTE Band 17, LTE Band 25, LTE Band 26, LTE Band 28 FCC, LTE Band 28 FCC, LTE Band 30, LTE Band 30, LTE Band 66, LTE Band 66, LTE Band 66, LTE Band 66, CA 66B, CA 66C, LTE Band 71, LTE Band 71, LTE Band 71, LTE Band 71, LTE Band 38, LTE Band 38, LTE Band 38, CA 38C, LTE Band 41, LTE Band 41, LTE Band 41, LTE Band 41, LTE Band 41, LTE Band 41).

* - repeated at the highest SAR measurement according to the KDB 865664 D01

Unless otherwise stated the results shown in this test report refer only to the sample(s) tested and such sample(s) are retained for 90 days only.

除非另有說明，此報告結果僅對測試之樣品負責，同時此樣品僅保留90天。本報告未經本公司書面許可，不可部份複製。

This document is issued by the Company subject to its General Conditions of Service printed overleaf, available on request or accessible at http://www.sgs.com.tw/Terms-and-Conditions and for electronic format documents, subject to Terms and Conditions for Electronic Documents at http://www.sgs.com.tw/Terms-and-Conditions. Attention is drawn to the limitation of liability, indemnification and jurisdiction issues defined therein. Any holder of this document is advised that information contained hereon reflects the Company's findings at the time of its intervention only and within the limits of Client's instructions, if any. The Company's sole responsibility is to its Client and this document does not exonerate parties to a transaction from exercising all their rights and obligations under the transaction documents. This document cannot be reproduced except in full, without prior written approval of the Company. Any unauthorized alteration, forgery or falsification of the content or appearance of this document is unlawful and offenders may be prosecuted to the fullest extent of the law.



Mode	(MHz)	Modulation	RB Size	RB start	Position	Distance (mm)	CH	Freq. (MHz)	Max. Rated Avg. Power + Max. Tolerance (dBm)	Measured Avg. Power (dBm)	Scaling	Averaged SAR over 1g (W/kg)		Plot page
												Measured	Reported	
NR n2	20MHz	SCS 15kHz Pi/2 BPSK	1	1	Bottom Surface	0	376000	1880	17.50	16.62	122.46%	0.626	0.767	-
NR n2			50	0	Bottom Surface	0	372000	1860	17.50	16.09	138.35%	0.604	0.836	-
NR n2			50	0	Bottom Surface	0	376000	1880	17.50	16.47	128.77%	0.647	0.820	-
NR n2			50	0	Bottom Surface	0	380000	1900	17.50	16.01	140.93%	0.609	0.858	-
NR n2			100	0	Bottom Surface	0	376000	1880	17.50	16.32	131.22%	0.658	0.863	054
NR n5			1	1	Bottom Surface	0	167800	839	22.00	21.85	108.39%	0.433	0.489	-
NR n5	20MHz	SCS 15kHz Pi/2 BPSK	50	28	Bottom Surface	0	167800	839	22.00	21.40	114.82%	0.664	0.762	055
NR n5			100	0	Bottom Surface	0	167800	839	22.00	21.34	116.41%	0.473	0.551	-
NR n7			1	1	Bottom Surface	0	502000	2510	17.50	16.69	120.50%	0.711	0.857	-
NR n7			1	1	Bottom Surface	0	507000	2535	17.50	16.56	124.17%	0.706	0.880	-
NR n7			1	1	Bottom Surface	0	512000	2560	17.50	16.71	119.59%	0.720	0.856	-
NR n7			50	0	Bottom Surface	0	502000	2510	17.50	16.46	127.06%	0.635	0.807	-
NR n7	20MHz	SCS 15kHz Pi/2 BPSK	50	0	Bottom Surface	0	507000	2535	17.50	16.35	130.32%	0.700	0.912	-
NR n7			50	0	Bottom Surface	0	512000	2560	17.50	16.51	125.60%	0.744	0.934	056
NR n7			100	0	Bottom Surface	0	512000	2560	17.50	16.47	126.77%	0.684	0.887	-
NR n25			1	1	Bottom Surface	0	372000	1860	17.50	16.51	125.60%	0.551	0.692	-
NR n25			50	56	Bottom Surface	0	372000	1860	17.50	16.20	134.90%	0.554	0.747	-
NR n25			100	0	Bottom Surface	0	381000	1905	17.50	16.23	133.97%	0.580	0.777	057
NR n30	10MHz	SCS 15kHz Pi/2 BPSK	1	1	Bottom Surface	0	462000	2310	18.00	17.07	123.88%	0.714	0.885	-
NR n30			50	25	Bottom Surface	0	462000	2310	18.00	16.74	133.66%	0.712	0.952	-
NR n30			100	0	Bottom Surface	0	462000	2310	18.00	16.78	132.43%	0.869	1.151	058
NR n66			1	1	Bottom Surface	0	344000	1720	18.50	17.71	119.95%	0.628	0.729	-
NR n66			1	1	Bottom Surface	0	349000	1745	18.50	17.85	116.14%	0.740	0.859	-
NR n66			1	1	Bottom Surface	0	354000	1770	18.50	17.56	124.17%	0.705	0.875	-
NR n66	20MHz	SCS 15kHz Pi/2 BPSK	50	56	Bottom Surface	0	344000	1720	18.50	17.51	123.60%	0.700	0.879	-
NR n66			50	56	Bottom Surface	0	349000	1745	18.50	17.59	123.31%	0.728	0.886	-
NR n66			50	56	Bottom Surface	0	354000	1770	18.50	17.30	131.83%	0.750	0.989	059
NR n66			100	0	Bottom Surface	0	349000	1745	18.50	17.65	121.62%	0.733	0.891	-
NR n71			1	1	Bottom Surface	0	134600	673	23.00	22.91	104.47%	0.646	0.675	060
NR n71			1	1	Bottom Surface	0	136100	680.5	23.00	22.79	104.95%	0.617	0.648	-
NR n71	20MHz	SCS 15kHz Pi/2 BPSK	1	1	Bottom Surface	0	137600	688	23.00	22.77	105.44%	0.624	0.658	-
NR n71			50	0	Bottom Surface	0	134600	673	23.00	22.49	112.46%	0.580	0.652	-
NR n38			1	1	Bottom Surface	0	516000	2580	17.50	17.21	108.91%	0.824	0.881	-
NR n38			1	1	Bottom Surface	0	519000	2595	17.50	17.25	105.93%	0.899	0.952	061
NR n38			1	1	Bottom Surface	0	522000	2610	17.50	17.13	108.89%	0.823	0.896	-
NR n38			50	56	Bottom Surface	0	516000	2580	17.50	17.11	108.40%	0.811	0.887	-
NR n38	20MHz	SCS 30kHz Pi/2 BPSK	50	56	Bottom Surface	0	519000	2595	17.50	17.09	109.90%	0.804	0.884	-
NR n38			50	56	Bottom Surface	0	522000	2610	17.50	17.06	110.66%	0.796	0.881	-
NR n38			100	0	Bottom Surface	0	522000	2610	17.50	17.05	110.92%	0.856	0.949	-
NR n41			1	1	Bottom Surface	0	509202	2546.01	17.50	17.40	102.33%	0.747	0.764	-
NR n41			1	1	Bottom Surface	0	518598	2592.99	17.50	17.36	103.33%	0.821	0.846	-
NR n41			1	1	Bottom Surface	0	528000	2640	17.50	17.30	104.71%	0.901	0.943	-
NR n41	100MHz	SCS 30kHz Pi/2 BPSK	135	0	Bottom Surface	0	509202	2546.01	17.50	17.34	103.75%	0.856	0.888	-
NR n41			135	0	Bottom Surface	0	518598	2592.99	17.50	17.31	104.47%	0.963	1.006	-
NR n41			135	0	Bottom Surface	0	528000	2640	17.50	17.28	105.20%	0.947	0.996	-
NR n41			270	0	Bottom Surface	0	528000	2640	17.50	17.28	105.20%	1.020	1.073	062
NR n41			270	0	Bottom Surface*	0	528000	2640	17.50	17.28	105.20%	0.995	1.047	-
NR n77 FCC			1	1	Bottom Surface	0	656000	3280	15.00	14.98	100.46%	0.383	0.386	-
NR n77 FCC	100MHz	SCS 30kHz Pi/2 BPSK	135	0	Bottom Surface	0	650000	3250	15.00	14.89	102.57%	0.389	0.399	-
NR n77 FCC			135	0	Bottom Surface	0	653000	3275	15.00	14.84	103.75%	0.377	0.391	-
NR n77 FCC			135	0	Bottom Surface	0	656000	3280	15.00	14.92	101.86%	0.430	0.438	063
NR n77 FCC			135	0	Bottom Surface	0	659000	3285	15.00	14.85	103.61%	0.368	0.381	-
NR n77 FCC			135	0	Bottom Surface	0	662000	3330	15.00	14.90	102.33%	0.382	0.391	-
NR n77 & n78 FCC			1	1	Bottom Surface	0	633333	3166.665	15.50	15.36	103.28%	0.336	0.347	064
NR n77 & n78 FCC	100MHz	SCS 30kHz Pi/2 BPSK	135	0	Bottom Surface	0	633333	3166.665	15.50	15.31	104.47%	0.318	0.332	-
NR n78 FCC			1	1	Bottom Surface	0	650000	3250	15.50	15.46	100.46%	0.382	0.384	-
NR n78 FCC	135	0	Bottom Surface	0	650000	3250	15.50	15.37	103.04%	0.517	0.533	065		

* - repeated at the highest SAR measurement according to the KDB 865664 D01

Unless otherwise stated the results shown in this test report refer only to the sample(s) tested and such sample(s) are retained for 90 days only.

除非另有說明，此報告結果僅對測試之樣品負責，同時此樣品僅保留90天。本報告未經本公司書面許可，不可部份複製。

This document is issued by the Company subject to its General Conditions of Service printed overleaf, available on request or accessible at <http://www.sgs.com.tw/Terms-and-Conditions> and for electronic format documents, subject to Terms and Conditions for Electronic Documents at <http://www.sgs.com.tw/Terms-and-Conditions>. Attention is drawn to the limitation of liability, indemnification and jurisdiction issues defined therein. Any holder of this document is advised that information contained hereon reflects the Company's findings at the time of its intervention only and within the limits of Client's instructions, if any. The Company's sole responsibility is to its Client and this document does not exonerate parties to a transaction from exercising all their rights and obligations under the transaction documents. This document cannot be reproduced except in full, without prior written approval of the Company. Any unauthorized alteration, forgery or falsification of the content or appearance of this document is unlawful and offenders may be prosecuted to the fullest extent of the law.

ANT 8

Mode	Bandwidth (MHz)	Modulation	RB Size	RB start	Position	Distance (mm)	CH	Freq. (MHz)	Max. Rated Avg. Power + Max. Tolerance (dBm)	Measured Avg. Power (dBm)	Scaling	Averaged SAR over 1g (W/kg)		Plot page	
												Measured	Reported		
LTE Band 2	20MHz	QPSK	1	0	Bottom Surface	0	18700	1860	20.50	20.49	100.23%	0.799	0.801	-	
LTE Band 2			1	0	Bottom Surface	0	18900	1880	20.50	20.46	100.93%	0.689	0.695	-	
LTE Band 2			1	0	Bottom Surface	0	19100	1900	20.50	20.47	103.69%	0.728	0.733	-	
LTE Band 2			50	25	Bottom Surface	0	18700	1860	20.50	20.34	103.73%	0.744	0.772	-	
LTE Band 2			50	50	Bottom Surface	0	18900	1880	20.50	20.42	101.86%	0.804	0.819	-	
LTE Band 2			50	50	Bottom Surface	0	19100	1860	20.50	20.30	104.71%	0.788	0.836	-	
LTE Band 2			1	100RB	0	Bottom Surface	0	18900	1880	20.50	20.36	103.25%	0.807	0.833	068
LTE Band 4			1	0	Bottom Surface	0	20050	1720	21.00	20.59	109.90%	0.881	0.946	-	
LTE Band 4			1	0	Bottom Surface	0	20175	1732.5	21.00	20.61	109.40%	0.777	0.850	-	
LTE Band 4			1	0	Bottom Surface	0	20300	1745	21.00	20.65	108.30%	0.867	0.940	067	
LTE Band 4			50	50	Bottom Surface	0	20050	1720	21.00	20.54	111.17%	0.834	0.927	-	
LTE Band 4			50	50	Bottom Surface	0	20175	1732.5	21.00	20.59	109.90%	0.861	0.946	-	
LTE Band 4			50	50	Bottom Surface	0	20300	1745	21.00	20.56	110.66%	0.843	0.933	-	
LTE Band 4			1	100RB	0	Bottom Surface	0	20300	1745	21.00	20.61	109.40%	0.855	0.935	-
LTE Band 7			1	0	Bottom Surface	0	20850	2510	20.50	20.48	100.46%	1.160	1.165	068	
LTE Band 7			1	0	Bottom Surface*	0	20850	2510	20.50	20.48	100.46%	1.120	1.125	-	
LTE Band 7			1	0	Bottom Surface	0	21100	2535	20.50	20.41	102.09%	1.040	1.052	-	
LTE Band 7			1	0	Bottom Surface	0	21350	2560	20.50	20.39	102.57%	1.100	1.128	-	
LTE Band 7			50	0	Bottom Surface	0	20850	2510	20.50	20.39	102.57%	1.096	1.118	-	
LTE Band 7			50	0	Bottom Surface	0	21100	2535	20.50	20.37	103.04%	1.110	1.144	-	
LTE Band 7			50	0	Bottom Surface	0	21350	2560	20.50	20.34	103.73%	1.140	1.183	-	
LTE Band 7			1	100RB	0	Bottom Surface	0	20850	2510	20.50	20.20	107.15%	1.060	1.136	-
LTE Band 25			1	0	Bottom Surface	0	26140	1860	20.50	20.22	108.66%	0.785	0.833	-	
LTE Band 25			1	0	Bottom Surface	0	26385	1882.5	20.50	20.24	106.17%	0.823	0.874	069	
LTE Band 25			1	0	Bottom Surface	0	26590	1905	20.50	20.18	107.65%	0.801	0.862	-	
LTE Band 25			50	50	Bottom Surface	0	26140	1860	20.50	20.14	108.84%	0.869	0.879	-	
LTE Band 25			50	0	Bottom Surface	0	26385	1882.5	20.50	20.17	107.65%	0.818	0.882	-	
LTE Band 25			50	0	Bottom Surface	0	26590	1905	20.50	20.16	108.14%	0.782	0.846	-	
LTE Band 25			1	100RB	0	Bottom Surface	0	26590	1905	20.50	20.16	108.14%	0.770	0.833	-
LTE Band 30			1	0	Bottom Surface	0	27710	2310	20.50	20.07	110.41%	0.946	1.044	070	
LTE Band 30	1	0	Bottom Surface*	0	27710	2310	20.50	20.07	110.41%	0.931	1.029	-			
LTE Band 30	25	25	Bottom Surface	0	27710	2310	20.50	19.98	112.72%	0.884	0.996	-			
LTE Band 30	1	50RB	0	Bottom Surface	0	27710	2310	20.50	19.98	115.35%	0.914	1.054	-		
LTE Band 66	1	0	Bottom Surface	0	132072	1720	21.00	20.66	100.60%	0.767	0.847	-			
LTE Band 66	1	0	Bottom Surface	0	132322	1745	21.00	20.71	109.51%	0.853	0.880	-			
LTE Band 66	1	0	Bottom Surface	0	132572	1770	21.00	20.66	108.14%	0.822	0.889	-			
LTE Band 66	50	50	Bottom Surface	0	132072	1720	21.00	20.48	112.72%	0.803	0.905	-			
LTE Band 66	50	50	Bottom Surface	0	132322	1745	21.00	20.51	111.94%	0.837	0.931	-			
LTE Band 66	50	50	Bottom Surface	0	132572	1770	21.00	20.28	118.03%	0.799	0.943	-			
LTE Band 66	1	100RB	0	Bottom Surface	0	132322	1745	21.00	20.56	110.92%	0.850	0.943	071		
LTE Band 41	1	0	Bottom Surface	0	39750	2506	21.50	21.41	102.09%	0.853	0.871	-			
LTE Band 41	1	0	Bottom Surface	0	40185	2540.5	21.50	21.37	103.04%	0.900	0.927	-			
LTE Band 41	1	0	Bottom Surface	0	40620	2593	21.50	21.34	103.75%	0.757	0.796	-			
LTE Band 41	1	0	Bottom Surface	0	41055	2636.5	21.50	21.49	100.23%	0.901	0.903	-			
LTE Band 41	50	50	Bottom Surface	0	41490	2680	21.50	21.35	103.51%	0.782	0.809	-			
LTE Band 41	50	50	Bottom Surface	0	40185	2540.5	21.50	21.35	103.04%	0.940	0.977	-			
LTE Band 41	50	50	Bottom Surface	0	40185	2540.5	21.50	21.33	103.99%	0.851	0.895	-			
LTE Band 41	50	50	Bottom Surface	0	40620	2593	21.50	21.23	106.41%	0.702	0.747	-			
LTE Band 41	50	50	Bottom Surface	0	41490	2680	21.50	21.26	105.66%	0.788	0.833	-			
LTE Band 41	50	50	Bottom Surface	0	41925	2724.5	21.50	21.32	107.12%	0.772	0.806	-			
LTE Band 41	1	100RB	0	Bottom Surface	0	41490	2680	21.50	21.32	104.23%	0.992	1.034	-		
CA 4TC	20MHz	QPSK	1/1	99/0	Bottom Surface	0	39750 / 39848	2506 / 2525.8	21.50	20.86	115.88%	0.924	1.071	-	
LTE Band 48			1	0	Bottom Surface	0	55340	3660	19.00	18.38	115.33%	0.585	0.640	-	
LTE Band 48			1	0	Bottom Surface	0	55830	3609	19.00	18.41	114.55%	0.621	0.711	-	
LTE Band 48			1	0	Bottom Surface	0	56150	3641	19.00	18.43	114.02%	0.670	0.764	-	
LTE Band 48			1	0	Bottom Surface	0	56640	3690	19.00	18.39	115.08%	0.633	0.728	-	
LTE Band 48			50	0	Bottom Surface	0	55340	3660	19.00	18.29	120.22%	0.633	0.761	-	
LTE Band 48			50	0	Bottom Surface	0	55830	3609	19.00	18.23	119.40%	0.696	0.831	073	
LTE Band 48			50	0	Bottom Surface	0	56150	3641	19.00	18.11	122.74%	0.545	0.669	-	
LTE Band 48			50	0	Bottom Surface	0	56640	3690	19.00	18.09	123.31%	0.596	0.735	-	
LTE Band 48			1	100RB	0	Bottom Surface	0	55830	3609	19.00	18.25	119.60%	0.671	0.807	-
CA 48C			1/1	99/0	Bottom Surface	0	55891 / 56089	3615.1 / 23634.9	19.00	18.39	115.08%	0.597	0.687	-	

* - repeated at the highest SAR measurement according to the KDB 865664 D01

Mode	Bandwidth (MHz)	Modulation	RB Size	RB start	Position	Distance (mm)	CH	Freq. (MHz)	Max. Rated Avg. Power + Max. Tolerance (dBm)	Measured Avg. Power (dBm)	Scaling	Averaged SAR over 1g (W/kg)		Plot page
												Measured	Reported	
NR n2	20MHz	SCS 15kHz PI/2 BPSK	1	1	Bottom Surface	0	372000	1860	20.50	20.40	102.33%	0.995	1.018	-
NR n2			1	1	Bottom Surface	0	376000	1880	20.50	20.44	101.39%	1.030	1.044	-
NR n2			1	1	Bottom Surface	0	380000	1900	20.50	20.46	100.93%	1.040	1.050	-
NR n2			50	0	Bottom Surface	0	372000	1860	20.50	20.37	103.04%	1.060	1.092	-
NR n2			50	56	Bottom Surface	0	376000	1880	20.50	20.39	102.57%	1.140	1.169	074
NR n2			50	56	Bottom Surface	0	378000	1880	20.50	20.39	102.57%	1.100	1.128	-
NR n2			50	0	Bottom Surface	0	380000	1900	20.50	20.41	102.09%	1.090	1.113	-
NR n2			100	0	Bottom Surface	0	380000	1900	20.50	20.37	103.04%	0.854	0.880	-
NR n66			1	1	Bottom Surface	0	344000	1720	21.00	20.60	109.65%	0.904	0.991	-
NR n66			1	1	Bottom Surface	0	349000	1745	21.00	20.65	108.35%	0.921	0.998	075
NR n66			1	1	Bottom Surface	0	354000	1770	21.00	20.59	109.90%	0.869	0.955	-
NR n66			50	28	Bottom Surface	0	344000	1720	21.00	20.54	111.17%	0.857	0.953	-
NR n66			50	28	Bottom Surface	0	349000	1745	21.00	20.55	110.92%	0.870	0.965	-
NR n66			50	28	Bottom Surface	0	354000	1770	21.00	20.63	109.89%	0.905	0.985	-
NR n66			100	0	Bottom Surface	0	354000	1770	21.00	20.52	111.69%	0.900	1.005	-
NR n41			1	1	Bottom Surface	0	509202	2546.01	19.50	19.41	102.09%	0.957	0.977	-
NR n41			1	1	Bottom Surface	0	518656	2592.99	19.50	19.37	103.04%	0.924	0.982	-
NR n41			1	1	Bottom Surface	0	528000	2640	19.50	19.30	102.57%	1.010	1.036	-
NR n41			135	0	Bottom Surface	0	509202	2546.01	19.50	19.36	103.28%	0.971	1.003	-
NR n41			135	69	Bottom Surface	0	518656	2592.99	19.50	19.31	104.47%	0.916	0.957	-
NR n41			135	69	Bottom Surface	0	528000	2640	19.50	19.36	103.28%	1.030	1.064	076
NR n77 FCC			1	1	Bottom Surface	0	650000	3750	16.50	16.50	107.15%	0.586	0.628	-
NR n77 FCC			1	1	Bottom Surface	0	653000	3795	16.50	16.46	106.95%	0.622	0.628	-
NR n77 FCC			1	1	Bottom Surface	0	656000	3840	16.50	16.37	103.04%	0.674	0.715	-
NR n77 FCC			1	1	Bottom Surface	0	659000	3885	16.50	16.49	100.23%	0.805	0.807	-
NR n77 FCC			1	1	Bottom Surface	0	662000	3930	16.50	16.48	100.46%	0.593	0.596	-
NR n77 FCC			135	69	Bottom Surface	0	650000	3750	16.50	16.11	109.40%	0.819	0.896	-
NR n77 FCC			135	138	Bottom Surface	0	653000	3795	16.50	16.09	109.90%	0.998	0.998	077
NR n77 FCC			135	138	Bottom Surface	0	656000	3840	16.50	16.09	109.90%	0.896	0.985	-
NR n77 FCC			135	69	Bottom Surface	0	659000	3885	16.50	16.09	109.90%	0.858	0.943	-
NR n77 FCC	135	138	Bottom Surface	0	659000	3885	16.50	16.10	109.65%	0.652	0.715	-		
NR n77 FCC	270	0	Bottom Surface	0	662000	3930	16.50	16.07	110.41%	0.646	0.713	-		
NR n77 FCC	270	0	Bottom Surface	0	660000	3750	16.50	16.10	109.65%	0.777	0.852	-		
NR n77 + n78FCC	1	1	Bottom Surface	0	633333	3499.995	16.50	16.36	103.28%	0.460	0.475	-		
NR n77 + n78FCC	135	0	Bottom Surface	0	633333	3499.995	16.50	16.30	104.71%	0.551	0.577	-		
NR n77 + n78FCC	270	0	Bottom Surface	0	633333	3499.995	16.50	16.10	109.65%	0.553	0.606	078		
NR n78FCC	1</													

WLAN

Art 2

Mode	Position	Distance (mm)	CH	Freq. (MHz)	Max. Rated Avg. Power + Max. Tolerance (dBm)	Measured Avg. Power (dBm)	Duty cycle scaling	Power scaling	Averaged SAR over 1g (W/kg)		ID
									Measured	Reported	
WLAN 802.11b	Bottom Surface	0	1	2412	20.00	19.91	1.011	102.09%	0.404	0.417	-
WLAN 802.11b	Bottom Surface	0	6	2437	20.00	19.98	1.011	100.46%	0.400	0.406	-
WLAN 802.11b	Bottom Surface	0	11	2462	20.00	19.97	1.011	100.69%	0.418	0.426	001
Mode	Position	Distance (mm)	CH	Freq. (MHz)	Max. Rated Avg. Power + Max. Tolerance (dBm)	Measured Avg. Power (dBm)	Duty cycle scaling	Power scaling	Averaged SAR over 1g (W/kg)		ID
WLAN 802.11n(40M) 5.2G	Bottom Surface	0	38	5190	16.50	16.48	1.012	100.46%	0.920	0.935	-
WLAN 802.11n(40M) 5.2G	Bottom Surface	0	46	5230	16.50	16.46	1.012	100.93%	0.955	0.975	002
WLAN 802.11ac(80M) 5.2G	Bottom Surface	0	42	5210	16.50	16.44	1.025	101.39%	0.917	0.953	003
Mode	Position	Distance (mm)	CH	Freq. (MHz)	Max. Rated Avg. Power + Max. Tolerance (dBm)	Measured Avg. Power (dBm)	Duty cycle scaling	Power scaling	Averaged SAR over 1g (W/kg)		ID
WLAN 802.11n(40M) 5.3G	Bottom Surface	0	54	5270	16.00	15.95	1.012	101.16%	0.894	0.915	-
WLAN 802.11n(40M) 5.3G	Bottom Surface	0	62	5310	16.00	15.99	1.012	100.23%	0.959	0.973	004
WLAN 802.11ac(80M) 5.3G	Bottom Surface	0	58	5290	16.00	15.98	1.025	100.46%	0.940	0.968	005
Mode	Position	Distance (mm)	CH	Freq. (MHz)	Max. Rated Avg. Power + Max. Tolerance (dBm)	Measured Avg. Power (dBm)	Duty cycle scaling	Power scaling	Averaged SAR over 1g (W/kg)		ID
WLAN 802.11n(40M) 5.6G	Bottom Surface	0	134	5670	16.50	16.48	1.012	100.46%	1.140	1.159	006
WLAN 802.11n(40M) 5.6G	Bottom Surface*	0	134	5670	16.50	16.48	1.012	100.46%	1.090	1.108	-
WLAN 802.11n(40M) 5.6G	Bottom Surface	0	142	5710	16.50	16.45	1.012	101.16%	0.979	1.002	-
WLAN 802.11ac(80M) 5.6G	Bottom Surface	0	106	5530	16.50	16.40	1.025	102.33%	1.090	1.143	007
WLAN 802.11ac(80M) 5.6G	Bottom Surface	0	122	5610	16.50	16.35	1.025	103.51%	1.020	1.082	-
WLAN 802.11ac(80M) 5.6G	Bottom Surface	0	138	5690	16.50	16.48	1.025	100.46%	1.040	1.071	-
Mode	Position	Distance (mm)	CH	Freq. (MHz)	Max. Rated Avg. Power + Max. Tolerance (dBm)	Measured Avg. Power (dBm)	Duty cycle scaling	Power scaling	Averaged SAR over 1g (W/kg)		ID
WLAN 802.11n(40M) 5.8G	Bottom Surface	0	151	5755	16.50	16.42	1.012	101.86%	0.913	0.941	008
WLAN 802.11n(40M) 5.8G	Bottom Surface*	0	151	5755	16.50	16.42	1.012	101.86%	0.904	0.932	-
WLAN 802.11n(40M) 5.8G	Bottom Surface	0	159	5795	16.50	16.40	1.012	102.33%	0.874	0.905	-
WLAN 802.11ac(80M) 5.8G	Bottom Surface	0	155	5775	16.50	16.42	1.025	101.86%	0.991	0.930	009

Art 1

Mode	Position	Distance (mm)	CH	Freq. (MHz)	Max. Rated Avg. Power + Max. Tolerance (dBm)	Measured Avg. Power (dBm)	Duty cycle scaling	Power scaling	Averaged SAR over 1g (W/kg)		ID
									Measured	Reported	
WLAN 802.11b	Bottom Surface	0	1	2412	20.00	19.90	1.011	102.33%	0.251	0.260	-
WLAN 802.11b	Bottom Surface	0	6	2437	20.00	19.92	1.011	101.86%	0.254	0.262	-
WLAN 802.11b	Bottom Surface	0	11	2462	20.00	19.95	1.011	101.16%	0.328	0.335	010
Mode	Position	Distance (mm)	CH	Freq. (MHz)	Max. Rated Avg. Power + Max. Tolerance (dBm)	Measured Avg. Power (dBm)	Duty cycle scaling	Power scaling	Averaged SAR over 1g (W/kg)		ID
Bluetooth(GFSK)	Bottom Surface	0	78	2480	10.50	9.00	1.299	141.25%	0.018	0.033	011
Mode	Position	Distance (mm)	CH	Freq. (MHz)	Max. Rated Avg. Power + Max. Tolerance (dBm)	Measured Avg. Power (dBm)	Duty cycle scaling	Power scaling	Averaged SAR over 1g (W/kg)		ID
WLAN 802.11n(40M) 5.2G	Bottom Surface	0	38	5190	16.00	15.99	1.012	100.23%	0.944	0.958	-
WLAN 802.11n(40M) 5.2G	Bottom Surface	0	46	5230	16.00	15.98	1.012	100.46%	1.030	1.047	012
WLAN 802.11ac(80M) 5.2G	Bottom Surface	0	42	5210	16.00	15.96	1.025	100.93%	1.130	1.169	013
WLAN 802.11ac(80M) 5.2G	Bottom Surface*	0	42	5210	16.00	15.96	1.025	100.93%	1.090	1.128	-
Mode	Position	Distance (mm)	CH	Freq. (MHz)	Max. Rated Avg. Power + Max. Tolerance (dBm)	Measured Avg. Power (dBm)	Duty cycle scaling	Power scaling	Averaged SAR over 1g (W/kg)		ID
WLAN 802.11n(40M) 5.3G	Bottom Surface	0	54	5270	16.00	15.99	1.012	100.23%	1.040	1.055	014
WLAN 802.11n(40M) 5.3G	Bottom Surface*	0	54	5270	16.00	15.99	1.012	100.23%	1.020	1.035	-
WLAN 802.11n(40M) 5.3G	Bottom Surface	0	62	5310	16.00	15.92	1.012	101.86%	1.010	1.041	-
WLAN 802.11ac(80M) 5.3G	Bottom Surface	0	58	5290	16.00	15.96	1.025	100.93%	1.030	1.066	015
Mode	Position	Distance (mm)	CH	Freq. (MHz)	Max. Rated Avg. Power + Max. Tolerance (dBm)	Measured Avg. Power (dBm)	Duty cycle scaling	Power scaling	Averaged SAR over 1g (W/kg)		ID
WLAN 802.11ac(80M) 5.6G	Bottom Surface	0	106	5530	16.50	16.48	1.025	100.46%	0.797	0.821	016
WLAN 802.11ac(80M) 5.6G	Bottom Surface	0	138	5690	16.50	16.45	1.025	101.16%	0.585	0.607	-
Mode	Position	Distance (mm)	CH	Freq. (MHz)	Max. Rated Avg. Power + Max. Tolerance (dBm)	Measured Avg. Power (dBm)	Duty cycle scaling	Power scaling	Averaged SAR over 1g (W/kg)		ID
WLAN 802.11ac(80M) 5.8G	Bottom Surface	0	155	5775	17.50	17.49	1.00	100.23%	0.778	0.780	017

* - repeated at the highest SAR measurement according to the KDB 865664 D01

Unless otherwise stated the results shown in this test report refer only to the sample(s) tested and such sample(s) are retained for 90 days only.

除非另有說明，此報告結果僅對測試之樣品負責，同時此樣品僅保留90天。本報告未經本公司書面許可，不可部份複製。

This document is issued by the Company subject to its General Conditions of Service printed overleaf, available on request or accessible at <http://www.sgs.com.tw/Terms-and-Conditions> and for electronic format documents, subject to Terms and Conditions for Electronic Documents at <http://www.sgs.com.tw/Terms-and-Conditions>. Attention is drawn to the limitation of liability, indemnification and jurisdiction issues defined therein. Any holder of this document is advised that information contained hereon reflects the Company's findings at the time of its intervention only and within the limits of Client's instructions, if any. The Company's sole responsibility is to its Client and this document does not exonerate parties to a transaction from exercising all their rights and obligations under the transaction documents. This document cannot be reproduced except in full, without prior written approval of the Company. Any unauthorized alteration, forgery or falsification of the content or appearance of this document is unlawful and offenders may be prosecuted to the fullest extent of the law.

WIFI 6E

An2

Mode	Position	Distance (mm)	CH	Freq. (MHz)	Max. Rated Avg. Power + Max. Tolerance (dBm)	Measured Avg. Power (dBm)	Duty cycle scaling	Power scaling	Averaged SAR over 1g (W/kg)		APDW/m ² (4cm ²)		ID
									Measured	Reported	Estimated	Reported	
U-Ni6 6.2GHz802.11ax(160M)	Bottom Surface	0	15	6025	13.00	12.97	1.025	100.69%	0.278	0.287	2.45	2.529	018
U-Ni6 6.2GHz802.11ax(160M)	Bottom Surface	0	47	6185	13.00	12.92	1.025	101.86%	0.208	0.218	1.73	1.808	-
U-Ni6 6.5GHz802.11ax(160M)	Bottom Surface	0	111	6505	13.00	12.98	1.025	100.46%	0.185	0.191	1.38	1.421	019
U-Ni7 6.7GHz802.11ax(160M)	Bottom Surface	0	175	6825	12.25	12.19	1.025	101.39%	0.124	0.129	0.775	0.805	020
U-Ni8 7.0GHz 802.11ax(160M)	Bottom Surface	0	207	6985	12.25	12.21	1.025	100.93%	0.121	0.125	0.848	0.877	021

An1

Mode	Position	Distance (mm)	CH	Freq. (MHz)	Max. Rated Avg. Power + Max. Tolerance (dBm)	Measured Avg. Power (dBm)	Duty cycle scaling	Power scaling	Averaged SAR over 1g (W/kg)		APDW/m ² (4cm ²)		ID
									Measured	Reported	Estimated	Reported	
U-Ni6 6.2GHz802.11ax(160M)	Bottom Surface	0	15	6025	13.00	12.97	1.025	100.69%	0.200	0.208	1.79	1.847	022
U-Ni6 6.2GHz802.11ax(160M)	Bottom Surface	0	79	6345	13.00	12.91	1.025	102.09%	0.198	0.207	1.63	1.706	-
U-Ni6 6.5GHz802.11ax(160M)	Bottom Surface	0	111	6505	13.00	12.95	1.025	101.16%	0.229	0.237	1.88	1.929	023
U-Ni7 6.7GHz802.11ax(160M)	Bottom Surface	0	143	6665	12.25	12.16	1.025	102.09%	0.246	0.257	2.000	2.093	024
U-Ni8 7.0GHz 802.11ax(160M)	Bottom Surface	0	207	6985	12.25	12.24	1.025	100.23%	0.125	0.128	0.931	0.956	025

Note:

Reported SAR = measured SAR * Power scaling * Duty cycle scaling

Reported APD = measured APD * Power scaling * Duty cycle scaling

Unless otherwise stated the results shown in this test report refer only to the sample(s) tested and such sample(s) are retained for 90 days only.

除非另有說明，此報告結果僅對測試之樣品負責，同時此樣品僅保留90天。本報告未經本公司書面許可，不可部份複製。

This document is issued by the Company subject to its General Conditions of Service printed overleaf, available on request or accessible at <http://www.sgs.com.tw/Terms-and-Conditions> and for electronic format documents, subject to Terms and Conditions for Electronic Documents at <http://www.sgs.com.tw/Terms-and-Conditions>. Attention is drawn to the limitation of liability, indemnification and jurisdiction issues defined therein. Any holder of this document is advised that information contained hereon reflects the Company's findings at the time of its intervention only and within the limits of Client's instructions, if any. The Company's sole responsibility is to its Client and this document does not exonerate parties to a transaction from exercising all their rights and obligations under the transaction documents. This document cannot be reproduced except in full, without prior written approval of the Company. Any unauthorized alteration, forgery or falsification of the content or appearance of this document is unlawful and offenders may be prosecuted to the fullest extent of the law.

7.3 Summary of PD Results

Ant2

Mode	Position	Distance (mm)	CH	Freq. (MHz)	Max. Rated Avg. Power + Max. Tolerance (dBm)	Measured Avg. Power (dBm)	Tune-up Scaling	Duty cycle scaling	Measurement uncertainty	PD result(4cm)				ID
										Measured Total psPD (W/m ²)	Reported Total psPD (W/m ²)	Measured Normal psPD (W/m ²)	Reported Normal psPD (W/m ²)	
WLAN 6E 802.11ax(160M) U-NII-5	Bottom Surface	2	15	6025	13.00	12.97	100.69%	1.03	1.55	2.790	4.463	1.810	2.896	026
	Bottom Surface	2	47	6185	13.00	12.92	101.86%	1.03	1.55	3.320	5.373	2.340	3.787	027
WLAN 6E 802.11ax(160M) U-NII-6	Bottom Surface	2	111	6505	13.00	12.98	100.46%	1.03	1.55	2.180	3.479	1.480	2.362	028
WLAN 6E 802.11ax(160M) U-NII-7	Bottom Surface	2	175	6825	12.25	12.19	101.39%	1.03	1.55	1.380	2.223	0.750	1.208	029
WLAN 6E 802.11ax(160M) U-NII-8	Bottom Surface	2	207	6985	12.25	12.21	100.93%	1.03	1.55	1.190	1.908	0.590	0.946	030

Ant1

Mode	Position	Distance (mm)	CH	Freq. (MHz)	Max. Rated Avg. Power + Max. Tolerance (dBm)	Measured Avg. Power (dBm)	Tune-up Scaling	Duty cycle scaling	Measurement uncertainty	PD result(4cm)				ID
										Measured Total psPD (W/m ²)	Reported Total psPD (W/m ²)	Measured Normal psPD (W/m ²)	Reported Normal psPD (W/m ²)	
WLAN 6E 802.11ax(160M) U-NII-5	Bottom Surface	2	15	6025	13.00	12.97	100.69%	1.03	1.55	3.070	4.911	2.320	3.711	031
	Bottom Surface	2	79	6345	13.00	12.91	102.09%	1.03	1.55	2.550	4.136	1.980	3.212	032
WLAN 6E 802.11ax(160M) U-NII-6	Bottom Surface	2	111	6505	13.00	12.95	101.16%	1.03	1.55	2.590	4.163	1.760	2.829	033
WLAN 6E 802.11ax(160M) U-NII-7	Bottom Surface	2	143	6665	12.25	12.16	102.09%	1.03	1.55	2.080	3.374	1.320	2.141	034
WLAN 6E 802.11ax(160M) U-NII-8	Bottom Surface	2	207	6985	12.25	12.24	100.23%	1.03	1.55	1.090	1.736	0.541	0.861	035

Note:

Reported PD = measured PD * Power scaling * Duty cycle scaling * Uncertainty scaling

7.4 Reporting statements of conformity

The conformity statement in this report is based solely on the test results, measurement uncertainty is excluded.

7.5 Conclusion

The device is compliant because all the standalone results are less than their corresponding criteria.

Unless otherwise stated the results shown in this test report refer only to the sample(s) tested and such sample(s) are retained for 90 days only.

除非另有說明，此報告結果僅對測試之樣品負責，同時此樣品僅保留90天。本報告未經本公司書面許可，不可部份複製。

This document is issued by the Company subject to its General Conditions of Service printed overleaf, available on request or accessible at <http://www.sgs.com.tw/Terms-and-Conditions> and for electronic format documents, subject to Terms and Conditions for Electronic Documents at <http://www.sgs.com.tw/Terms-and-Conditions>. Attention is drawn to the limitation of liability, indemnification and jurisdiction issues defined therein. Any holder of this document is advised that information contained hereon reflects the Company's findings at the time of its intervention only and within the limits of Client's instructions, if any. The Company's sole responsibility is to its Client and this document does not exonerate parties to a transaction from exercising all their rights and obligations under the transaction documents. This document cannot be reproduced except in full, without prior written approval of the Company. Any unauthorized alteration, forgery or falsification of the content or appearance of this document is unlawful and offenders may be prosecuted to the fullest extent of the law.

8 SIMULTANEOUS TRANSMISSION ANALYSIS

8.1 Simultaneous Transmission Scenarios:

Simultaneous Transmit Configurations	Body
WWAN + WLAN 2.4GHz Ant 2 + BT Ant 1	Yes
WWAN + WLAN 2.4GHz Ant 2 + WLAN 2.4GHz Ant 1	Yes
WWAN + WLAN 5GHz Ant 2 + BT Ant 1	Yes
WWAN + WLAN 5GHz Ant 2 + WLAN 5GHz Ant 1	Yes
WWAN + WLAN 5GHz Ant 2 + WLAN 5GHz Ant 1 + BT Ant 1	Yes
WWAN + WLAN 6GHz Ant 2 + BT Ant 1	Yes
WWAN + WLAN 6GHz Ant 2 + WLAN 6GHz Ant 1	Yes
WWAN + WLAN 6GHz Ant 2 + WLAN 6GHz Ant 1 + BT Ant 1	Yes

Unless otherwise stated the results shown in this test report refer only to the sample(s) tested and such sample(s) are retained for 90 days only.

除非另有說明，此報告結果僅對測試之樣品負責，同時此樣品僅保留90天。本報告未經本公司書面許可，不可部份複製。

This document is issued by the Company subject to its General Conditions of Service printed overleaf, available on request or accessible at <http://www.sgs.com.tw/Terms-and-Conditions> and for electronic format documents, subject to Terms and Conditions for Electronic Documents at <http://www.sgs.com.tw/Terms-and-Conditions>. Attention is drawn to the limitation of liability, indemnification and jurisdiction issues defined therein. Any holder of this document is advised that information contained hereon reflects the Company's findings at the time of its intervention only and within the limits of Client's instructions, if any. The Company's sole responsibility is to its Client and this document does not exonerate parties to a transaction from exercising all their rights and obligations under the transaction documents. This document cannot be reproduced except in full, without prior written approval of the Company. Any unauthorized alteration, forgery or falsification of the content or appearance of this document is unlawful and offenders may be prosecuted to the fullest extent of the law.

8.2 Estimated SAR calculation

According to KDB447498 D01v06 – When standalone SAR test exclusion applies to an antenna that transmits simultaneously with other antennas, the standalone SAR must be estimated according to following to determine simultaneous transmission SAR test exclusion:

$$\text{Estimated SAR} = \frac{\text{Max. tune up power (mW)}}{\text{Min. test separation distance(mm)}} \times \frac{\sqrt{f(\text{GHz})}}{7.5}$$

If the minimum test separation distance is < 5mm, a distance of 5mm is used for estimated SAR calculation. When the test separation distance is >50mm, the 0.4W/kg is used for SAR-1g.

8.3 SPLSR evaluation and analysis

Per KDB447498D01, when the sum of SAR is larger than the limit, SAR test exclusion is determined by the SAR sum to peak location separation ratio(SPLSR).

The simultaneous transmitting antennas in each operating mode and exposure condition combination must be considered one pair at a time to determine the SAR to peak location separation ratio to qualify for test exclusion.

The ratio is determined by $(\text{SAR1} + \text{SAR2})^{1.5}/R_i$, rounded to two decimal digits, and must be ≤ 0.04 for all antenna pairs in the configuration to qualify for 1-g SAR test exclusion.

SAR1 and SAR2 are the highest reported or estimated SAR for each antenna in the pair, and R_i is the separation distance between the peak SAR locations for the antenna pair in mm.

When standalone test exclusion applies, SAR is estimated; the peak location is assumed to be at the feed-point or geometric center of the antenna.

Unless otherwise stated the results shown in this test report refer only to the sample(s) tested and such sample(s) are retained for 90 days only.

除非另有說明，此報告結果僅對測試之樣品負責，同時此樣品僅保留90天。本報告未經本公司書面許可，不可部份複製。

This document is issued by the Company subject to its General Conditions of Service printed overleaf, available on request or accessible at <http://www.sgs.com.tw/Terms-and-Conditions> and for electronic format documents, subject to Terms and Conditions for Electronic Documents at <http://www.sgs.com.tw/Terms-and-Conditions>. Attention is drawn to the limitation of liability, indemnification and jurisdiction issues defined therein. Any holder of this document is advised that information contained hereon reflects the Company's findings at the time of its intervention only and within the limits of Client's instructions, if any. The Company's sole responsibility is to its Client and this document does not exonerate parties to a transaction from exercising all their rights and obligations under the transaction documents. This document cannot be reproduced except in full, without prior written approval of the Company. Any unauthorized alteration, forgery or falsification of the content or appearance of this document is unlawful and offenders may be prosecuted to the fullest extent of the law.

WWAN+WLAN Simultaneous Transmission Combination

	FCC Reported SAR									Scenario1	Scenario2	Scenario3	Scenario4	Scenario5	Scenario6	Scenario7	Scenario8
	1	2	3	4	5	7	8	9									
	WWAN	2.4GHz WLAN Ant 2	2.4GHz WLAN Ant 1	5GHz WLAN Ant 2	5GHz WLAN Ant 1	Bluetooth Ant 1	6GHz WLAN Ant 2	6GHz WLAN Ant 1									
	1g SAR (W/kg)	1g SAR (W/kg)	1g SAR (W/kg)	1g SAR (W/kg)	1g SAR (W/kg)	1g SAR (W/kg)	1g SAR (W/kg)	1g SAR (W/kg)									
	1+2+3	1+2+7	1+4+5	1+4+7	1+4+5+7	1+6+9	1+7+8	1+7+8+9									
	Summed	Summed	Summed	Summed	Summed	Summed	Summed	Summed									
	1g SAR (W/kg)	1g SAR (W/kg)	1g SAR (W/kg)	1g SAR (W/kg)	1g SAR (W/kg)	1g SAR (W/kg)	1g SAR (W/kg)	1g SAR (W/kg)									
WCDMA Band II_Ant 5	1.022	0.426	0.335	1.159	1.169	0.033	0.260	0.251	1.783	1.481	3.350	2.214	3.383	1.553	1.335	1.586	
WCDMA Band IV_Ant 5	0.860	0.426	0.335	1.159	1.169	0.033	0.260	0.251	1.621	1.319	3.188	2.052	3.221	1.391	1.173	1.424	
WCDMA Band V_Ant 5	0.700	0.426	0.335	1.159	1.169	0.033	0.260	0.251	1.461	1.159	3.028	1.892	3.061	1.231	1.013	1.264	
LTE Band 2_Ant 5	1.016	0.426	0.335	1.159	1.169	0.033	0.260	0.251	1.777	1.475	3.344	2.208	3.377	1.547	1.329	1.580	
LTE Band 4_Ant 5	0.831	0.426	0.335	1.159	1.169	0.033	0.260	0.251	1.592	1.290	3.159	2.023	3.192	1.362	1.144	1.395	
LTE Band 5_Ant 5	0.712	0.426	0.335	1.159	1.169	0.033	0.260	0.251	1.473	1.171	3.040	1.904	3.073	1.243	1.025	1.276	
LTE Band 7_Ant 5	1.052	0.426	0.335	1.159	1.169	0.033	0.260	0.251	1.813	1.511	3.380	2.244	3.413	1.583	1.365	1.618	
CA_7C_Ant 5	0.926	0.426	0.335	1.159	1.169	0.033	0.260	0.251	1.687	1.385	3.254	2.118	3.287	1.457	1.239	1.490	
LTE Band 12_Ant 5	0.935	0.426	0.335	1.159	1.169	0.033	0.260	0.251	1.696	1.394	3.263	2.127	3.296	1.466	1.248	1.499	
LTE Band 13_Ant 5	0.851	0.426	0.335	1.159	1.169	0.033	0.260	0.251	1.612	1.310	3.179	2.043	3.212	1.382	1.164	1.415	
LTE Band 14_Ant 5	0.823	0.426	0.335	1.159	1.169	0.033	0.260	0.251	1.584	1.282	3.151	2.015	3.184	1.354	1.136	1.387	
LTE Band 17_Ant 5	0.921	0.426	0.335	1.159	1.169	0.033	0.260	0.251	1.682	1.380	3.249	2.113	3.282	1.452	1.234	1.485	
LTE Band 25_Ant 5	1.091	0.426	0.335	1.159	1.169	0.033	0.260	0.251	1.852	1.550	3.419	2.283	3.452	1.622	1.404	1.655	
LTE Band 26_FCC_Ant 5	0.734	0.426	0.335	1.159	1.169	0.033	0.260	0.251	1.495	1.193	3.062	1.926	3.095	1.265	1.047	1.298	
LTE Band 30_Ant 5	0.974	0.426	0.335	1.159	1.169	0.033	0.260	0.251	1.735	1.433	3.302	2.166	3.335	1.505	1.287	1.538	
LTE Band 66_Ant 5	0.980	0.426	0.335	1.159	1.169	0.033	0.260	0.251	1.721	1.419	3.289	2.152	3.321	1.491	1.273	1.524	
LTE Band 71_Ant 5	0.990	0.426	0.335	1.159	1.169	0.033	0.260	0.251	1.751	1.449	3.318	2.162	3.351	1.521	1.303	1.554	
LTE Band 38_Ant 5	1.010	0.426	0.335	1.159	1.169	0.033	0.260	0.251	1.771	1.469	3.338	2.202	3.371	1.541	1.323	1.574	
LTE Band 41_Ant 5	0.988	0.426	0.335	1.159	1.169	0.033	0.260	0.251	1.749	1.447	3.316	2.180	3.349	1.519	1.301	1.552	
NR n2_Ant 5	0.863	0.426	0.335	1.159	1.169	0.033	0.260	0.251	1.624	1.322	3.191	2.055	3.224	1.394	1.176	1.427	
NR n5_Ant 5	0.762	0.426	0.335	1.159	1.169	0.033	0.260	0.251	1.523	1.221	3.090	1.954	3.123	1.293	1.075	1.326	
NR n7_Ant 5	0.934	0.426	0.335	1.159	1.169	0.033	0.260	0.251	1.695	1.393	3.262	2.126	3.295	1.465	1.247	1.498	
NR n25_Ant 5	0.777	0.426	0.335	1.159	1.169	0.033	0.260	0.251	1.538	1.236	3.105	1.989	3.138	1.308	1.090	1.341	
NR n66_Ant 5	0.989	0.426	0.335	1.159	1.169	0.033	0.260	0.251	1.750	1.448	3.317	2.181	3.350	1.520	1.302	1.553	
NR n71_Ant 5	0.675	0.426	0.335	1.159	1.169	0.033	0.260	0.251	1.436	1.134	3.003	1.867	3.036	1.206	0.989	1.239	
NR n38_Ant 5	0.952	0.426	0.335	1.159	1.169	0.033	0.260	0.251	1.713	1.411	3.280	2.144	3.313	1.483	1.265	1.516	
NR n41_Ant 5	1.073	0.426	0.335	1.159	1.169	0.033	0.260	0.251	1.834	1.532	3.401	2.265	3.434	1.604	1.386	1.637	
NR n77_FCC_Ant 5	0.438	0.426	0.335	1.159	1.169	0.033	0.260	0.251	1.199	0.897	2.796	1.630	2.799	0.969	0.751	1.002	
NR n77 & n78_FCC_Ant 5	0.347	0.426	0.335	1.159	1.169	0.033	0.260	0.251	1.108	0.806	2.675	1.539	2.708	0.878	0.660	0.911	
NR n78_FCC_Ant 5	0.533	0.426	0.335	1.159	1.169	0.033	0.260	0.251	1.294	0.992	2.861	1.725	2.894	1.064	0.846	1.097	
LTE Band 2_Ant 8	0.836	0.426	0.335	1.159	1.169	0.033	0.260	0.251	1.597	1.295	3.164	2.028	3.197	1.387	1.149	1.400	
LTE Band 4_Ant 8	0.846	0.426	0.335	1.159	1.169	0.033	0.260	0.251	1.707	1.405	3.274	2.138	3.307	1.477	1.259	1.510	
LTE Band 7_Ant 8	1.183	0.426	0.335	1.159	1.169	0.033	0.260	0.251	1.944	1.642	3.511	2.375	3.544	1.714	1.496	1.747	
LTE Band 25_Ant 8	0.883	0.426	0.335	1.159	1.169	0.033	0.260	0.251	1.644	1.342	3.211	2.075	3.244	1.414	1.198	1.447	
LTE Band 30_Ant 8	1.054	0.426	0.335	1.159	1.169	0.033	0.260	0.251	1.815	1.513	3.382	2.246	3.415	1.585	1.367	1.618	
LTE Band 66_Ant 8	0.943	0.426	0.335	1.159	1.169	0.033	0.260	0.251	1.704	1.402	3.271	2.135	3.304	1.474	1.256	1.507	
LTE Band 41_Ant 8	1.077	0.426	0.335	1.159	1.169	0.033	0.260	0.251	1.838	1.536	3.405	2.269	3.438	1.608	1.390	1.641	
CA_41C_Ant 8	1.071	0.426	0.335	1.159	1.169	0.033	0.260	0.251	1.832	1.530	3.399	2.263	3.432	1.602	1.384	1.635	
LTE Band 48_Ant 8	0.831	0.426	0.335	1.159	1.169	0.033	0.260	0.251	1.592	1.290	3.159	2.023	3.192	1.362	1.144	1.395	
NR n2_Ant 8	1.169	0.426	0.335	1.159	1.169	0.033	0.260	0.251	1.930	1.628	3.497	2.361	3.530	1.700	1.482	1.733	
NR n66_Ant 8	1.005	0.426	0.335	1.159	1.169	0.033	0.260	0.251	1.766	1.464	3.333	2.197	3.366	1.536	1.318	1.569	
NR n41_Ant 8	1.064	0.426	0.335	1.159	1.169	0.033	0.260	0.251	1.825	1.523	3.392	2.256	3.425	1.595	1.377	1.628	
NR n77_FCC_Ant 8	0.998	0.426	0.335	1.159	1.169	0.033	0.260	0.251	1.759	1.457	3.326	2.190	3.359	1.529	1.311	1.562	
NR n77 & n78_FCC_Ant 8	0.806	0.426	0.335	1.159	1.169	0.033	0.260	0.251	1.307	1.065	2.934	1.798	2.967	1.137	0.919	1.170	
NR n78_FCC_Ant 8	0.819	0.426	0.335	1.159	1.169	0.033	0.260	0.251	1.580	1.278	3.147	2.011	3.180	1.350	1.132	1.383	

Unless otherwise stated the results shown in this test report refer only to the sample(s) tested and such sample(s) are retained for 90 days only.

除非另有說明，此報告結果僅對測試之樣品負責，同時此樣品僅保留90天。本報告未經本公司書面許可，不可部份複製。

This document is issued by the Company subject to its General Conditions of Service printed overleaf, available on request or accessible at <http://www.sgs.com.tw/Terms-and-Conditions> and for electronic format documents, subject to Terms and Conditions for Electronic Documents at <http://www.sgs.com.tw/Terms-and-Conditions>. Attention is drawn to the limitation of liability, indemnification and jurisdiction issues defined therein. Any holder of this document is advised that information contained hereon reflects the Company's findings at the time of its intervention only and within the limits of Client's instructions, if any. The Company's sole responsibility is to its Client and this document does not exonerate parties to a transaction from exercising all their rights and obligations under the transaction documents. This document cannot be reproduced except in full, without prior written approval of the Company. Any unauthorized alteration, forgery or falsification of the content or appearance of this document is unlawful and offenders may be prosecuted to the fullest extent of the law.

Scenario 1: WLAN2.4G Ant2 + WLAN2.4G Ant1 / BT Ant1 / WWAN									
Position	Conditions	SAR Value (W/kg)	Coordinates (mm)			ΣSAR (W/kg)	Peak Location Separation Distance (mm)	SPLSR	Simultaneous Transmission SAR Test
			x	y	z				
Bottom Surface	WLAN 2.4G Ant2	0.426	102.40	78.00	-174.00	-	-	-	-
	WLAN 2.4G Ant1	0.335	103.60	-78.00	-174.00	0.761	156.00	0.004	SPLSR ≤ 0.04, Not required
	BT Ant1	0.033	104.00	-72.20	-174.00	0.459	150.21	0.002	SPLSR ≤ 0.04, Not required
	WCDMA Band II_Ant 5	1.022	-55.00	150.00	-174.80	1.448	173.09	0.010	SPLSR ≤ 0.04, Not required
	WCDMA Band IV_Ant 5	0.860	-55.00	150.00	-174.80	1.286	173.09	0.008	SPLSR ≤ 0.04, Not required
	LTE Band 2_Ant 5	1.016	-55.00	150.00	-174.00	1.442	173.09	0.010	SPLSR ≤ 0.04, Not required
	LTE Band 7_Ant 5	1.052	-58.00	142.80	-174.00	1.478	172.99	0.010	SPLSR ≤ 0.04, Not required
	CA_7C_Ant 5	0.926	-58.50	142.30	-177.90	1.352	173.32	0.009	SPLSR ≤ 0.04, Not required
	LTE Band 12_Ant 5	0.935	-70.00	150.00	-174.00	1.361	186.83	0.008	SPLSR ≤ 0.04, Not required
	LTE Band 13_Ant 5	0.851	-70.00	150.50	-174.00	1.277	187.02	0.008	SPLSR ≤ 0.04, Not required
	LTE Band 17_Ant 5	0.921	-70.00	150.00	-174.70	1.347	186.83	0.008	SPLSR ≤ 0.04, Not required
	LTE Band 25_Ant 5	1.091	-55.00	150.00	-174.70	1.517	173.09	0.011	SPLSR ≤ 0.04, Not required
	LTE Band 30_Ant 5	0.974	-46.00	154.80	-174.60	1.400	167.10	0.010	SPLSR ≤ 0.04, Not required
	LTE Band 66_Ant 5	0.960	-55.00	150.00	-174.70	1.386	173.09	0.009	SPLSR ≤ 0.04, Not required
	LTE Band 71_Ant 5	0.990	-70.00	150.00	-174.80	1.416	186.83	0.009	SPLSR ≤ 0.04, Not required
	LTE Band 38_Ant 5	1.010	-56.80	142.80	-174.70	1.436	171.88	0.010	SPLSR ≤ 0.04, Not required
	LTE Band 41_Ant 5	0.988	-58.00	144.00	-174.70	1.414	173.45	0.010	SPLSR ≤ 0.04, Not required
	NR n2_Ant 5	0.863	-55.00	150.00	-174.70	1.289	173.09	0.008	SPLSR ≤ 0.04, Not required
	NR n7_Ant 5	0.934	-59.20	142.80	-174.80	1.360	174.11	0.009	SPLSR ≤ 0.04, Not required
	NR n66_Ant 5	0.989	-55.00	150.00	-174.70	1.415	173.09	0.010	SPLSR ≤ 0.04, Not required
	NR n38_Ant 5	0.952	-52.00	141.60	-174.80	1.378	166.99	0.010	SPLSR ≤ 0.04, Not required
	NR n41_Ant 5	1.073	-49.60	142.80	-174.80	1.499	165.24	0.011	SPLSR ≤ 0.04, Not required
	LTE Band 4_Ant 8	0.946	-113.20	-135.00	-174.00	1.372	303.07	0.005	SPLSR ≤ 0.04, Not required
	LTE Band 7_Ant 8	1.183	-117.40	-130.80	-174.00	1.609	303.17	0.007	SPLSR ≤ 0.04, Not required
	LTE Band 25_Ant 8	0.883	-107.90	-139.00	-177.00	1.309	302.20	0.005	SPLSR ≤ 0.04, Not required
	LTE Band 30_Ant 8	1.054	-108.00	-134.00	-177.00	1.480	298.70	0.006	SPLSR ≤ 0.04, Not required
	LTE Band 66_Ant 8	0.943	-113.50	-135.00	-174.00	1.369	303.29	0.005	SPLSR ≤ 0.04, Not required
	LTE Band 41_Ant 8	1.077	-109.00	-132.00	-174.00	1.503	297.98	0.006	SPLSR ≤ 0.04, Not required
	CA_41C_Ant 8	1.071	-106.20	-135.60	-177.00	1.406	298.58	0.006	SPLSR ≤ 0.04, Not required
	LTE Band 48_Ant 8	0.831	-101.20	-137.00	-177.00	1.257	296.12	0.005	SPLSR ≤ 0.04, Not required
	NR n2_Ant 8	1.169	-107.50	-138.00	-177.00	1.595	301.20	0.007	SPLSR ≤ 0.04, Not required
	NR n66_Ant 8	1.005	-113.40	-133.00	-174.00	1.431	301.81	0.006	SPLSR ≤ 0.04, Not required
NR n41_Ant 8	1.064	-108.70	-132.00	-174.00	1.490	297.76	0.006	SPLSR ≤ 0.04, Not required	
NR n77_FCC_Ant 8	0.998	-101.60	-137.20	-177.00	1.424	296.54	0.006	SPLSR ≤ 0.04, Not required	

Unless otherwise stated the results shown in this test report refer only to the sample(s) tested and such sample(s) are retained for 90 days only.

除非另有說明，此報告結果僅對測試之樣品負責，同時此樣品僅保留90天。本報告未經本公司書面許可，不可部份複製。

This document is issued by the Company subject to its General Conditions of Service printed overleaf, available on request or accessible at <http://www.sgs.com.tw/Terms-and-Conditions> and for electronic format documents, subject to Terms and Conditions for Electronic Documents at <http://www.sgs.com.tw/Terms-and-Conditions>. Attention is drawn to the limitation of liability, indemnification and jurisdiction issues defined therein. Any holder of this document is advised that information contained hereon reflects the Company's findings at the time of its intervention only and within the limits of Client's instructions, if any. The Company's sole responsibility is to its Client and this document does not exonerate parties to a transaction from exercising all their rights and obligations under the transaction documents. This document cannot be reproduced except in full, without prior written approval of the Company. Any unauthorized alteration, forgery or falsification of the content or appearance of this document is unlawful and offenders may be prosecuted to the fullest extent of the law.

Scenario 2: WLAN2.4G Ant1 + WWAN									
Position	Conditions	SAR Value (W/kg)	Coordinates (mm)			ΣSAR (W/kg)	Peak Location Separation Distance (mm)	SPLSR	Simultaneous Transmission SAR Test
			x	y	z				
Bottom Surface	WLAN 2.4G Ant1	0.335	103.60	-78.00	-174.00	-	-	-	-
	WCDMA Band II_Ant 5	1.022	-55.00	150.00	-174.80	1.357	277.74	0.006	SPLSR ≤ 0.04, Not required
	WCDMA Band IV_Ant 5	0.860	-55.00	150.00	-174.80	1.195	277.74	0.005	SPLSR ≤ 0.04, Not required
	LTE Band 2_Ant 5	1.016	-55.00	150.00	-174.00	1.351	277.74	0.006	SPLSR ≤ 0.04, Not required
	LTE Band 7_Ant 5	1.052	-58.00	142.80	-174.00	1.387	273.62	0.006	SPLSR ≤ 0.04, Not required
	CA_7C_Ant 5	0.926	-58.50	142.30	-177.90	1.261	273.54	0.005	SPLSR ≤ 0.04, Not required
	LTE Band 12_Ant 5	0.935	-70.00	150.00	-174.00	1.270	286.57	0.005	SPLSR ≤ 0.04, Not required
	LTE Band 13_Ant 5	0.851	-70.00	150.50	-174.00	1.186	286.97	0.005	SPLSR ≤ 0.04, Not required
	LTE Band 17_Ant 5	0.921	-70.00	150.00	-174.70	1.256	286.57	0.005	SPLSR ≤ 0.04, Not required
	LTE Band 25_Ant 5	1.091	-55.00	150.00	-174.70	1.426	277.74	0.006	SPLSR ≤ 0.04, Not required
	LTE Band 30_Ant 5	0.974	-46.00	154.80	-174.60	1.309	276.72	0.005	SPLSR ≤ 0.04, Not required
	LTE Band 66_Ant 5	0.960	-55.00	150.00	-174.70	1.295	277.74	0.005	SPLSR ≤ 0.04, Not required
	LTE Band 71_Ant 5	0.990	-70.00	150.00	-174.80	1.325	286.57	0.005	SPLSR ≤ 0.04, Not required
	LTE Band 38_Ant 5	1.010	-56.80	142.80	-174.70	1.436	272.91	0.006	SPLSR ≤ 0.04, Not required
	LTE Band 41_Ant 5	0.988	-58.00	144.00	-174.70	1.323	274.59	0.006	SPLSR ≤ 0.04, Not required
	NR n2_Ant 5	0.863	-55.00	150.00	-174.70	1.198	277.74	0.005	SPLSR ≤ 0.04, Not required
	NR n7_Ant 5	0.934	-59.20	142.80	-174.80	1.269	274.33	0.005	SPLSR ≤ 0.04, Not required
	NR n66_Ant 5	0.989	-55.00	150.00	-174.70	1.324	277.74	0.005	SPLSR ≤ 0.04, Not required
	NR n38_Ant 5	0.952	-52.00	141.60	-174.80	1.287	269.14	0.005	SPLSR ≤ 0.04, Not required
	NR n41_Ant 5	1.073	-49.60	142.80	-174.80	1.408	268.74	0.006	SPLSR ≤ 0.04, Not required
	LTE Band 4_Ant 8	0.946	-113.20	-135.00	-174.00	1.281	224.17	0.006	SPLSR ≤ 0.04, Not required
	LTE Band 7_Ant 8	1.183	-117.40	-130.80	-174.00	1.518	227.22	0.008	SPLSR ≤ 0.04, Not required
	LTE Band 25_Ant 8	0.883	-107.90	-139.00	-177.00	1.218	220.14	0.006	SPLSR ≤ 0.04, Not required
	LTE Band 30_Ant 8	1.054	-108.00	-134.00	-177.00	1.389	218.91	0.007	SPLSR ≤ 0.04, Not required
	LTE Band 66_Ant 8	0.943	-113.50	-135.00	-174.00	1.278	224.46	0.006	SPLSR ≤ 0.04, Not required
	LTE Band 41_Ant 8	1.077	-109.00	-132.00	-174.00	1.412	219.35	0.008	SPLSR ≤ 0.04, Not required
	CA_41C_Ant 8	1.071	-106.20	-135.60	-177.00	1.406	217.58	0.008	SPLSR ≤ 0.04, Not required
	LTE Band 48_Ant 8	0.831	-101.20	-137.00	-177.00	1.166	213.15	0.006	SPLSR ≤ 0.04, Not required
	NR n2_Ant 8	1.169	-107.50	-138.00	-177.00	1.504	219.48	0.008	SPLSR ≤ 0.04, Not required
	NR n66_Ant 8	1.005	-113.40	-133.00	-174.00	1.340	223.86	0.007	SPLSR ≤ 0.04, Not required
NR n41_Ant 8	1.064	-108.70	-132.00	-174.00	1.399	219.06	0.008	SPLSR ≤ 0.04, Not required	
NR n77_FCC_Ant 8	0.998	-101.60	-137.20	-177.00	1.333	213.59	0.007	SPLSR ≤ 0.04, Not required	

Unless otherwise stated the results shown in this test report refer only to the sample(s) tested and such sample(s) are retained for 90 days only.

除非另有說明，此報告結果僅對測試之樣品負責，同時此樣品僅保留90天。本報告未經本公司書面許可，不可部份複製。

This document is issued by the Company subject to its General Conditions of Service printed overleaf, available on request or accessible at <http://www.sgs.com.tw/Terms-and-Conditions>, and for electronic format documents, subject to Terms and Conditions for Electronic Documents at <http://www.sgs.com.tw/Terms-and-Conditions>. Attention is drawn to the limitation of liability, indemnification and jurisdiction issues defined therein. Any holder of this document is advised that information contained hereon reflects the Company's findings at the time of its intervention only and within the limits of Client's instructions, if any. The Company's sole responsibility is to its Client and this document does not exonerate parties to a transaction from exercising all their rights and obligations under the transaction documents. This document cannot be reproduced except in full, without prior written approval of the Company. Any unauthorized alteration, forgery or falsification of the content or appearance of this document is unlawful and offenders may be prosecuted to the fullest extent of the law.

Scenario 3 : WLAN5G Ant2 + WLAN5G Ant1 / BT Ant1 / WWAN									
Position	Conditions	SAR Value (W/kg)	Coordinates (mm)			ΣSAR (W/kg)	Peak Location Separation Distance (mm)	SPLSR	Simultaneous Transmission SAR Test
			x	y	z				
Bottom Surface	WLAN 5G Ant2	1.159	96.00	95.00	-174.00	-	-	-	-
	WLAN 5G Ant1	1.169	101.00	-99.00	-174.00	2.328	194.06	0.018	SPLSR ≤ 0.04, Not required
	BT Ant1	0.033	104.00	-72.20	-174.00	1.192	167.39	0.008	SPLSR ≤ 0.04, Not required
	WLAN5G + BT Ant1	1.202	104.00	-72.20	-174.00	2.361	167.39	0.022	SPLSR ≤ 0.04, Not required
	WCDMA Band II_Ant 5	1.022	-55.00	150.00	-174.80	2.181	160.71	0.020	SPLSR ≤ 0.04, Not required
	WCDMA Band IV_Ant 5	0.860	-55.00	150.00	-174.80	2.019	160.71	0.018	SPLSR ≤ 0.04, Not required
	WCDMA Band V_Ant 5	0.700	-70.00	147.00	-174.90	1.859	173.96	0.015	SPLSR ≤ 0.04, Not required
	LTE Band 2_Ant 5	1.016	-55.00	150.00	-174.00	2.175	160.70	0.020	SPLSR ≤ 0.04, Not required
	LTE Band 4_Ant 5	0.831	-55.00	150.00	-174.00	1.990	160.70	0.017	SPLSR ≤ 0.04, Not required
	LTE Band 5_Ant 5	0.712	-70.00	147.00	-174.00	1.871	173.95	0.015	SPLSR ≤ 0.04, Not required
	LTE Band 7_Ant 5	1.052	-58.00	142.80	-174.00	2.211	161.25	0.020	SPLSR ≤ 0.04, Not required
	CA_7C_Ant 5	0.926	-58.50	142.30	-177.90	2.085	161.63	0.019	SPLSR ≤ 0.04, Not required
	LTE Band 12_Ant 5	0.935	-70.00	150.00	-174.00	2.094	174.87	0.017	SPLSR ≤ 0.04, Not required
	LTE Band 13_Ant 5	0.851	-70.00	150.50	-174.00	2.010	175.03	0.016	SPLSR ≤ 0.04, Not required
	LTE Band 14_Ant 5	0.823	-70.00	148.50	-174.70	1.982	174.41	0.016	SPLSR ≤ 0.04, Not required
	LTE Band 17_Ant 5	0.921	-70.00	150.00	-174.70	2.080	174.88	0.017	SPLSR ≤ 0.04, Not required
	LTE Band 25_Ant 5	1.091	-55.00	150.00	-174.70	2.250	160.71	0.021	SPLSR ≤ 0.04, Not required
	LTE Band 26_FCC_Ant 5	0.734	-70.00	147.00	-174.80	1.893	173.96	0.015	SPLSR ≤ 0.04, Not required
	LTE Band 30_Ant 5	0.974	-46.00	154.80	-174.60	2.133	154.08	0.020	SPLSR ≤ 0.04, Not required
	LTE Band 66_Ant 5	0.960	-55.00	150.00	-174.70	2.119	160.71	0.019	SPLSR ≤ 0.04, Not required
	LTE Band 71_Ant 5	0.990	-70.00	150.00	-174.80	2.149	174.88	0.018	SPLSR ≤ 0.04, Not required
	LTE Band 38_Ant 5	1.010	-56.80	142.80	-174.70	1.436	160.10	0.011	SPLSR ≤ 0.04, Not required
	LTE Band 41_Ant 5	0.988	-58.00	144.00	-174.70	2.147	161.61	0.019	SPLSR ≤ 0.04, Not required
	NR n2_Ant 5	0.863	-55.00	150.00	-174.70	2.022	160.71	0.018	SPLSR ≤ 0.04, Not required
	NR n5_Ant 5	0.762	-70.00	148.50	-174.00	1.921	174.41	0.015	SPLSR ≤ 0.04, Not required
	NR n7_Ant 5	0.934	-59.20	142.80	-174.80	2.093	162.40	0.019	SPLSR ≤ 0.04, Not required
	NR n25_Ant 5	0.777	-55.00	150.00	-174.70	1.936	160.71	0.017	SPLSR ≤ 0.04, Not required
	NR n66_Ant 5	0.989	-55.00	150.00	-174.70	2.148	160.71	0.020	SPLSR ≤ 0.04, Not required
	NR n71_Ant 5	0.675	-71.50	150.00	-174.80	1.834	176.30	0.014	SPLSR ≤ 0.04, Not required
	NR n38_Ant 5	0.952	-52.00	141.60	-174.80	2.111	155.17	0.020	SPLSR ≤ 0.04, Not required
	NR n41_Ant 5	1.073	-49.60	142.80	-174.80	2.232	153.25	0.022	SPLSR ≤ 0.04, Not required
	NR n77_FCC_Ant 5	0.438	-49.00	139.00	-174.80	1.597	151.53	0.013	SPLSR ≤ 0.04, Not required
	NR n77 & n78_FCC_Ant 5	0.347	-49.00	139.00	-174.80	1.506	151.53	0.012	SPLSR ≤ 0.04, Not required
	NR n78_FCC_Ant 5	0.533	-49.00	139.00	-174.80	1.692	151.53	0.015	SPLSR ≤ 0.04, Not required
	LTE Band 2_Ant 8	0.836	-112.40	-136.00	-174.00	1.995	311.11	0.009	SPLSR ≤ 0.04, Not required
	LTE Band 4_Ant 8	0.946	-113.20	-135.00	-174.00	2.105	310.91	0.010	SPLSR ≤ 0.04, Not required
	LTE Band 7_Ant 8	1.183	-117.40	-130.80	-174.00	2.342	310.69	0.012	SPLSR ≤ 0.04, Not required
	LTE Band 25_Ant 8	0.883	-107.90	-139.00	-177.00	2.042	310.39	0.009	SPLSR ≤ 0.04, Not required
	LTE Band 30_Ant 8	1.054	-108.00	-134.00	-177.00	2.213	306.70	0.011	SPLSR ≤ 0.04, Not required
	LTE Band 66_Ant 8	0.943	-113.50	-135.00	-174.00	2.102	311.11	0.010	SPLSR ≤ 0.04, Not required
	LTE Band 41_Ant 8	1.077	-109.00	-132.00	-174.00	2.236	305.87	0.011	SPLSR ≤ 0.04, Not required
	CA_41C_Ant 8	1.071	-106.20	-135.60	-177.00	2.230	306.71	0.011	SPLSR ≤ 0.04, Not required
	LTE Band 48_Ant 8	0.831	-101.20	-137.00	-177.00	1.990	304.50	0.009	SPLSR ≤ 0.04, Not required
	NR n2_Ant 8	1.169	-107.50	-138.00	-177.00	2.328	309.37	0.011	SPLSR ≤ 0.04, Not required
	NR n66_Ant 8	1.005	-113.40	-133.00	-174.00	2.164	309.57	0.010	SPLSR ≤ 0.04, Not required
NR n41_Ant 8	1.064	-108.70	-132.00	-174.00	2.223	305.66	0.011	SPLSR ≤ 0.04, Not required	
NR n77_FCC_Ant 8	0.998	-101.60	-137.20	-177.00	2.157	304.91	0.010	SPLSR ≤ 0.04, Not required	
NR n77 & n78_FCC_Ant 8	0.606	-100.80	-137.20	-177.00	1.765	304.39	0.008	SPLSR ≤ 0.04, Not required	
NR n78_FCC_Ant 8	0.819	-100.00	-137.20	-177.00	1.978	303.88	0.009	SPLSR ≤ 0.04, Not required	

Unless otherwise stated the results shown in this test report refer only to the sample(s) tested and such sample(s) are retained for 90 days only.

除非另有說明，此報告結果僅對測試之樣品負責，同時此樣品僅保留90天。本報告未經本公司書面許可，不可部份複製。

This document is issued by the Company subject to its General Conditions of Service printed overleaf, available on request or accessible at <http://www.sgs.com.tw/Terms-and-Conditions> and for electronic format documents, subject to Terms and Conditions for Electronic Documents at <http://www.sgs.com.tw/Terms-and-Conditions>. Attention is drawn to the limitation of liability, indemnification and jurisdiction issues defined therein. Any holder of this document is advised that information contained hereon reflects the Company's findings at the time of its intervention only and within the limits of Client's instructions, if any. The Company's sole responsibility is to its Client and this document does not exonerate parties to a transaction from exercising all their rights and obligations under the transaction documents. This document cannot be reproduced except in full, without prior written approval of the Company. Any unauthorized alteration, forgery or falsification of the content or appearance of this document is unlawful and offenders may be prosecuted to the fullest extent of the law.

Scenario 4: WLAN5G Ant1 + WWAN									
Position	Conditions	SAR Value (W/kg)	Coordinates (mm)			ΣSAR (W/kg)	Peak Location Separation Distance (mm)	SPLSR	Simultaneous Transmission SAR Test
			x	y	z				
Bottom Surface	WLAN 5G Ant1	1.169	101.00	-99.00	-174.00	-	-	-	-
	WCDMA Band II_Ant 5	1.022	-55.00	150.00	-174.80	2.191	293.83	0.011	SPLSR ≤ 0.04, Not required
	WCDMA Band IV_Ant 5	0.860	-55.00	150.00	-174.80	2.029	293.83	0.010	SPLSR ≤ 0.04, Not required
	WCDMA Band V_Ant 5	0.700	-70.00	147.00	-174.90	1.869	299.60	0.009	SPLSR ≤ 0.04, Not required
	LTE Band 2_Ant 5	1.016	-55.00	150.00	-174.00	2.185	293.83	0.011	SPLSR ≤ 0.04, Not required
	LTE Band 4_Ant 5	0.831	-55.00	150.00	-174.00	2.000	293.83	0.010	SPLSR ≤ 0.04, Not required
	LTE Band 5_Ant 5	0.712	-70.00	147.00	-174.00	1.881	299.59	0.009	SPLSR ≤ 0.04, Not required
	LTE Band 7_Ant 5	1.052	-58.00	142.80	-174.00	2.221	289.39	0.011	SPLSR ≤ 0.04, Not required
	CA_7C_Ant 5	0.926	-58.50	142.30	-177.90	2.095	289.28	0.010	SPLSR ≤ 0.04, Not required
	LTE Band 12_Ant 5	0.935	-70.00	150.00	-174.00	2.104	302.06	0.010	SPLSR ≤ 0.04, Not required
	LTE Band 13_Ant 5	0.851	-70.00	150.50	-174.00	2.020	302.48	0.009	SPLSR ≤ 0.04, Not required
	LTE Band 14_Ant 5	0.823	-70.00	148.50	-174.70	1.992	300.83	0.009	SPLSR ≤ 0.04, Not required
	LTE Band 17_Ant 5	0.921	-70.00	150.00	-174.70	2.090	302.06	0.010	SPLSR ≤ 0.04, Not required
	LTE Band 25_Ant 5	1.091	-55.00	150.00	-174.70	2.260	293.83	0.012	SPLSR ≤ 0.04, Not required
	LTE Band 26_FCC_Ant 5	0.734	-70.00	147.00	-174.80	1.903	299.60	0.009	SPLSR ≤ 0.04, Not required
	LTE Band 30_Ant 5	0.974	-46.00	154.80	-174.60	2.143	293.30	0.011	SPLSR ≤ 0.04, Not required
	LTE Band 66_Ant 5	0.960	-55.00	150.00	-174.70	2.129	293.83	0.011	SPLSR ≤ 0.04, Not required
	LTE Band 71_Ant 5	0.990	-70.00	150.00	-174.80	2.159	302.06	0.011	SPLSR ≤ 0.04, Not required
	LTE Band 38_Ant 5	1.010	-56.80	142.80	-174.70	1.436	288.74	0.006	SPLSR ≤ 0.04, Not required
	LTE Band 41_Ant 5	0.988	-58.00	144.00	-174.70	2.157	290.40	0.011	SPLSR ≤ 0.04, Not required
	NR n2_Ant 5	0.863	-55.00	150.00	-174.70	2.032	293.83	0.010	SPLSR ≤ 0.04, Not required
	NR n5_Ant 5	0.762	-70.00	148.50	-174.00	1.931	300.83	0.009	SPLSR ≤ 0.04, Not required
	NR n7_Ant 5	0.934	-59.20	142.80	-174.80	2.103	290.06	0.011	SPLSR ≤ 0.04, Not required
	NR n25_Ant 5	0.777	-55.00	150.00	-174.70	1.946	293.83	0.009	SPLSR ≤ 0.04, Not required
	NR n66_Ant 5	0.989	-55.00	150.00	-174.70	2.158	293.83	0.011	SPLSR ≤ 0.04, Not required
	NR n71_Ant 5	0.675	-71.50	150.00	-174.80	1.844	302.92	0.008	SPLSR ≤ 0.04, Not required
	NR n38_Ant 5	0.952	-52.00	141.60	-174.80	2.121	285.13	0.011	SPLSR ≤ 0.04, Not required
	NR n41_Ant 5	1.073	-49.60	142.80	-174.80	2.242	284.87	0.012	SPLSR ≤ 0.04, Not required
	NR n77_FCC_Ant 5	0.438	-49.00	139.00	-174.80	1.607	281.33	0.007	SPLSR ≤ 0.04, Not required
	NR n77 & n78_FCC_Ant 5	0.347	-49.00	139.00	-174.80	1.516	281.33	0.007	SPLSR ≤ 0.04, Not required
	NR n78_FCC_Ant 5	0.533	-49.00	139.00	-174.80	1.702	281.33	0.008	SPLSR ≤ 0.04, Not required
	LTE Band 2_Ant 8	0.836	-112.40	-136.00	-174.00	2.005	216.58	0.013	SPLSR ≤ 0.04, Not required
	LTE Band 4_Ant 8	0.946	-113.20	-135.00	-174.00	2.115	217.20	0.014	SPLSR ≤ 0.04, Not required
	LTE Band 7_Ant 8	1.183	-117.40	-130.80	-174.00	2.352	220.70	0.016	SPLSR ≤ 0.04, Not required
	LTE Band 25_Ant 8	0.883	-107.90	-139.00	-177.00	2.052	212.72	0.014	SPLSR ≤ 0.04, Not required
	LTE Band 30_Ant 8	1.054	-108.00	-134.00	-177.00	2.223	211.93	0.016	SPLSR ≤ 0.04, Not required
	LTE Band 66_Ant 8	0.943	-113.50	-135.00	-174.00	2.112	217.50	0.014	SPLSR ≤ 0.04, Not required
	LTE Band 41_Ant 8	1.077	-109.00	-132.00	-174.00	2.246	212.58	0.016	SPLSR ≤ 0.04, Not required
	CA_41C_Ant 8	1.071	-106.20	-135.60	-177.00	2.240	210.43	0.016	SPLSR ≤ 0.04, Not required
	LTE Band 48_Ant 8	0.831	-101.20	-137.00	-177.00	2.000	205.76	0.014	SPLSR ≤ 0.04, Not required
NR n2_Ant 8	1.169	-107.50	-138.00	-177.00	2.338	212.14	0.017	SPLSR ≤ 0.04, Not required	
NR n66_Ant 8	1.005	-113.40	-133.00	-174.00	2.174	217.08	0.015	SPLSR ≤ 0.04, Not required	
NR n41_Ant 8	1.064	-108.70	-132.00	-174.00	2.233	212.28	0.016	SPLSR ≤ 0.04, Not required	
NR n77_FCC_Ant 8	0.998	-101.60	-137.20	-177.00	2.167	206.19	0.015	SPLSR ≤ 0.04, Not required	
NR n77 & n78_FCC_Ant 8	0.606	-100.80	-137.20	-177.00	1.775	205.41	0.012	SPLSR ≤ 0.04, Not required	
NR n78_FCC_Ant 8	0.819	-100.00	-137.20	-177.00	1.988	204.62	0.014	SPLSR ≤ 0.04, Not required	

Unless otherwise stated the results shown in this test report refer only to the sample(s) tested and such sample(s) are retained for 90 days only.

除非另有說明，此報告結果僅對測試之樣品負責，同時此樣品僅保留90天。本報告未經本公司書面許可，不可部份複製。

This document is issued by the Company subject to its General Conditions of Service printed overleaf, available on request or accessible at <http://www.sgs.com.tw/Terms-and-Conditions> and for electronic format documents, subject to Terms and Conditions for Electronic Documents at <http://www.sgs.com.tw/Terms-and-Conditions>. Attention is drawn to the limitation of liability, indemnification and jurisdiction issues defined therein. Any holder of this document is advised that information contained hereon reflects the Company's findings at the time of its intervention only and within the limits of Client's instructions, if any. The Company's sole responsibility is to its Client and this document does not exonerate parties to a transaction from exercising all their rights and obligations under the transaction documents. This document cannot be reproduced except in full, without prior written approval of the Company. Any unauthorized alteration, forgery or falsification of the content or appearance of this document is unlawful and offenders may be prosecuted to the fullest extent of the law.

Scenario 5 : BT Ant1 + WWAN									
Position	Conditions	SAR Value (W/kg)	Coordinates (mm)			ΣSAR (W/kg)	Peak Location Separation Distance (mm)	SPLSR	Simultaneous Transmission SAR Test
			x	y	z				
Bottom Surface	BT Ant1	0.033	104.00	-72.20	-174.00	-	-	-	-
	WCDMA Band II_Ant 5	1.022	-55.00	150.00	-174.80	1.055	273.23	0.004	SPLSR ≤ 0.04, Not required
	WCDMA Band IV_Ant 5	0.860	-55.00	150.00	-174.80	0.893	273.23	0.003	SPLSR ≤ 0.04, Not required
	WCDMA Band V_Ant 5	0.700	-70.00	147.00	-174.90	0.733	279.87	0.002	SPLSR ≤ 0.04, Not required
	LTE Band 2_Ant 5	1.016	-55.00	150.00	-174.00	1.049	273.23	0.004	SPLSR ≤ 0.04, Not required
	LTE Band 4_Ant 5	0.831	-55.00	150.00	-174.00	0.864	273.23	0.003	SPLSR ≤ 0.04, Not required
	LTE Band 5_Ant 5	0.712	-70.00	147.00	-174.00	1.881	279.87	0.009	SPLSR ≤ 0.04, Not required
	LTE Band 7_Ant 5	1.052	-58.00	142.80	-174.00	1.085	269.20	0.004	SPLSR ≤ 0.04, Not required
	CA_7C_Ant 5	0.926	-58.50	142.30	-177.90	0.959	269.13	0.003	SPLSR ≤ 0.04, Not required
	LTE Band 12_Ant 5	0.935	-70.00	150.00	-174.00	0.968	282.22	0.003	SPLSR ≤ 0.04, Not required
	LTE Band 13_Ant 5	0.851	-70.00	150.50	-174.00	0.884	282.62	0.003	SPLSR ≤ 0.04, Not required
	LTE Band 14_Ant 5	0.823	-70.00	148.50	-174.70	0.856	281.04	0.003	SPLSR ≤ 0.04, Not required
	LTE Band 17_Ant 5	0.921	-70.00	150.00	-174.70	0.954	282.22	0.003	SPLSR ≤ 0.04, Not required
	LTE Band 25_Ant 5	1.091	-55.00	150.00	-174.70	1.124	273.23	0.004	SPLSR ≤ 0.04, Not required
	LTE Band 26_FCC_Ant 5	0.734	-70.00	147.00	-174.80	0.767	279.87	0.002	SPLSR ≤ 0.04, Not required
	LTE Band 30_Ant 5	0.974	-46.00	154.80	-174.60	1.007	272.08	0.004	SPLSR ≤ 0.04, Not required
	LTE Band 66_Ant 5	0.960	-55.00	150.00	-174.70	0.993	273.23	0.004	SPLSR ≤ 0.04, Not required
	LTE Band 71_Ant 5	0.990	-70.00	150.00	-174.80	1.023	282.22	0.004	SPLSR ≤ 0.04, Not required
	LTE Band 38_Ant 5	1.010	-56.80	142.80	-174.70	1.436	268.48	0.006	SPLSR ≤ 0.04, Not required
	LTE Band 41_Ant 5	0.988	-58.00	144.00	-174.70	1.021	270.16	0.004	SPLSR ≤ 0.04, Not required
	NR n2_Ant 5	0.863	-55.00	150.00	-174.70	0.896	273.23	0.003	SPLSR ≤ 0.04, Not required
	NR n5_Ant 5	0.762	-70.00	148.50	-174.00	0.795	281.04	0.003	SPLSR ≤ 0.04, Not required
	NR n7_Ant 5	0.934	-59.20	142.80	-174.80	0.967	269.93	0.004	SPLSR ≤ 0.04, Not required
	NR n25_Ant 5	0.777	-55.00	150.00	-174.70	0.810	273.23	0.003	SPLSR ≤ 0.04, Not required
	NR n66_Ant 5	0.989	-55.00	150.00	-174.70	1.022	273.23	0.004	SPLSR ≤ 0.04, Not required
	NR n71_Ant 5	0.675	-71.50	150.00	-174.80	0.708	283.15	0.002	SPLSR ≤ 0.04, Not required
	NR n38_Ant 5	0.952	-52.00	141.60	-174.80	0.985	264.66	0.004	SPLSR ≤ 0.04, Not required
	NR n41_Ant 5	1.073	-49.60	142.80	-174.80	1.106	264.23	0.004	SPLSR ≤ 0.04, Not required
	NR n77_FCC_Ant 5	0.438	-49.00	139.00	-174.80	0.471	260.80	0.001	SPLSR ≤ 0.04, Not required
	NR n77 & n78_FCC_Ant 5	0.347	-49.00	139.00	-174.80	0.380	260.80	0.001	SPLSR ≤ 0.04, Not required
	NR n78_FCC_Ant 5	0.533	-49.00	139.00	-174.80	0.566	260.80	0.002	SPLSR ≤ 0.04, Not required
	LTE Band 2_Ant 8	0.836	-112.40	-136.00	-174.00	0.869	225.61	0.004	SPLSR ≤ 0.04, Not required
	LTE Band 4_Ant 8	0.946	-113.20	-135.00	-174.00	0.979	226.10	0.004	SPLSR ≤ 0.04, Not required
	LTE Band 7_Ant 8	1.183	-117.40	-130.80	-174.00	1.216	229.02	0.006	SPLSR ≤ 0.04, Not required
	LTE Band 25_Ant 8	0.883	-107.90	-139.00	-177.00	0.916	222.20	0.004	SPLSR ≤ 0.04, Not required
	LTE Band 30_Ant 8	1.054	-108.00	-134.00	-177.00	1.087	220.84	0.005	SPLSR ≤ 0.04, Not required
	LTE Band 66_Ant 8	0.943	-113.50	-135.00	-174.00	0.976	226.38	0.004	SPLSR ≤ 0.04, Not required
	LTE Band 41_Ant 8	1.077	-109.00	-132.00	-174.00	1.110	221.24	0.005	SPLSR ≤ 0.04, Not required
	CA_41C_Ant 8	1.071	-106.20	-135.60	-177.00	1.104	219.57	0.005	SPLSR ≤ 0.04, Not required
	LTE Band 48_Ant 8	0.831	-101.20	-137.00	-177.00	0.864	215.21	0.004	SPLSR ≤ 0.04, Not required
NR n2_Ant 8	1.169	-107.50	-138.00	-177.00	1.202	221.52	0.006	SPLSR ≤ 0.04, Not required	
NR n66_Ant 8	1.005	-113.40	-133.00	-174.00	1.038	225.74	0.005	SPLSR ≤ 0.04, Not required	
NR n41_Ant 8	1.064	-108.70	-132.00	-174.00	1.097	220.95	0.005	SPLSR ≤ 0.04, Not required	
NR n77_FCC_Ant 8	0.998	-101.60	-137.20	-177.00	1.031	215.65	0.005	SPLSR ≤ 0.04, Not required	
NR n77 & n78_FCC_Ant 8	0.606	-100.80	-137.20	-177.00	0.639	214.89	0.002	SPLSR ≤ 0.04, Not required	
NR n78_FCC_Ant 8	0.819	-100.00	-137.20	-177.00	0.852	214.13	0.004	SPLSR ≤ 0.04, Not required	

Unless otherwise stated the results shown in this test report refer only to the sample(s) tested and such sample(s) are retained for 90 days only.

除非另有說明，此報告結果僅對測試之樣品負責，同時此樣品僅保留90天。本報告未經本公司書面許可，不可部份複製。

This document is issued by the Company subject to its General Conditions of Service printed overleaf, available on request or accessible at <http://www.sgs.com.tw/Terms-and-Conditions> and for electronic format documents, subject to Terms and Conditions for Electronic Documents at <http://www.sgs.com.tw/Terms-and-Conditions>. Attention is drawn to the limitation of liability, indemnification and jurisdiction issues defined therein. Any holder of this document is advised that information contained herein reflects the Company's findings at the time of its intervention only and within the limits of Client's instructions, if any. The Company's sole responsibility is to its Client and this document does not exonerate parties to a transaction from exercising all their rights and obligations under the transaction documents. This document cannot be reproduced except in full, without prior written approval of the Company. Any unauthorized alteration, forgery or falsification of the content or appearance of this document is unlawful and offenders may be prosecuted to the fullest extent of the law.

Scenario 6 : WLAN5G + BT Ant1 + WWAN									
Position	Conditions	SAR Value (W/kg)	Coordinates (mm)			ΣSAR (W/kg)	Peak Location Separation Distance (mm)	SPLSR	Simultaneous Transmission SAR Test
			x	y	z				
Bottom Surface	WLAN5G + BT Ant1	1.202	104.00	-72.20	-174.00	-	-	-	-
	WCDMA Band II_Ant 5	1.022	-55.00	150.00	-174.80	2.224	273.23	0.012	SPLSR ≤ 0.04, Not required
	WCDMA Band IV_Ant 5	0.860	-55.00	150.00	-174.80	2.062	273.23	0.011	SPLSR ≤ 0.04, Not required
	WCDMA Band V_Ant 5	0.700	-70.00	147.00	-174.90	1.902	279.87	0.009	SPLSR ≤ 0.04, Not required
	LTE Band 2_Ant 5	1.016	-55.00	150.00	-174.00	2.218	273.23	0.012	SPLSR ≤ 0.04, Not required
	LTE Band 4_Ant 5	0.831	-55.00	150.00	-174.00	2.033	273.23	0.011	SPLSR ≤ 0.04, Not required
	LTE Band 5_Ant 5	0.712	-70.00	147.00	-174.00	1.881	279.87	0.009	SPLSR ≤ 0.04, Not required
	LTE Band 7_Ant 5	1.052	-58.00	142.80	-174.00	2.254	269.20	0.013	SPLSR ≤ 0.04, Not required
	CA_7C_Ant 5	0.926	-58.50	142.30	-177.90	2.128	269.13	0.012	SPLSR ≤ 0.04, Not required
	LTE Band 12_Ant 5	0.935	-70.00	150.00	-174.00	2.137	282.22	0.011	SPLSR ≤ 0.04, Not required
	LTE Band 13_Ant 5	0.851	-70.00	150.50	-174.00	2.053	282.62	0.010	SPLSR ≤ 0.04, Not required
	LTE Band 14_Ant 5	0.823	-70.00	148.50	-174.70	2.025	281.04	0.010	SPLSR ≤ 0.04, Not required
	LTE Band 17_Ant 5	0.921	-70.00	150.00	-174.70	2.123	282.22	0.011	SPLSR ≤ 0.04, Not required
	LTE Band 25_Ant 5	1.091	-55.00	150.00	-174.70	2.293	273.23	0.013	SPLSR ≤ 0.04, Not required
	LTE Band 26_FCC_Ant 5	0.734	-70.00	147.00	-174.80	1.936	279.87	0.010	SPLSR ≤ 0.04, Not required
	LTE Band 30_Ant 5	0.974	-46.00	154.80	-174.60	2.176	272.08	0.012	SPLSR ≤ 0.04, Not required
	LTE Band 66_Ant 5	0.960	-55.00	150.00	-174.70	2.162	273.23	0.012	SPLSR ≤ 0.04, Not required
	LTE Band 71_Ant 5	0.990	-70.00	150.00	-174.80	2.192	282.22	0.011	SPLSR ≤ 0.04, Not required
	LTE Band 38_Ant 5	1.010	-56.80	142.80	-174.70	1.436	268.48	0.006	SPLSR ≤ 0.04, Not required
	LTE Band 41_Ant 5	0.988	-58.00	144.00	-174.70	2.190	270.16	0.012	SPLSR ≤ 0.04, Not required
	NR n2_Ant 5	0.863	-55.00	150.00	-174.70	2.065	273.23	0.011	SPLSR ≤ 0.04, Not required
	NR n5_Ant 5	0.762	-70.00	148.50	-174.00	1.964	281.04	0.010	SPLSR ≤ 0.04, Not required
	NR n7_Ant 5	0.934	-59.20	142.80	-174.80	2.136	269.93	0.012	SPLSR ≤ 0.04, Not required
	NR n25_Ant 5	0.777	-55.00	150.00	-174.70	1.979	273.23	0.010	SPLSR ≤ 0.04, Not required
	NR n66_Ant 5	0.989	-55.00	150.00	-174.70	2.191	273.23	0.012	SPLSR ≤ 0.04, Not required
	NR n71_Ant 5	0.675	-71.50	150.00	-174.80	1.877	283.15	0.009	SPLSR ≤ 0.04, Not required
	NR n38_Ant 5	0.952	-52.00	141.60	-174.80	2.154	264.66	0.012	SPLSR ≤ 0.04, Not required
	NR n41_Ant 5	1.073	-49.60	142.80	-174.80	2.275	264.23	0.013	SPLSR ≤ 0.04, Not required
	NR n77_FCC_Ant 5	0.438	-49.00	139.00	-174.80	1.640	260.80	0.008	SPLSR ≤ 0.04, Not required
	NR n77 & n78_FCC_Ant 5	0.347	-49.00	139.00	-174.80	1.549	260.80	0.007	SPLSR ≤ 0.04, Not required
	NR n78_FCC_Ant 5	0.533	-49.00	139.00	-174.80	1.735	260.80	0.009	SPLSR ≤ 0.04, Not required
	LTE Band 2_Ant 8	0.836	-112.40	-136.00	-174.00	2.038	225.61	0.013	SPLSR ≤ 0.04, Not required
	LTE Band 4_Ant 8	0.946	-113.20	-135.00	-174.00	2.148	226.10	0.014	SPLSR ≤ 0.04, Not required
	LTE Band 7_Ant 8	1.183	-117.40	-130.80	-174.00	2.385	229.02	0.016	SPLSR ≤ 0.04, Not required
	LTE Band 25_Ant 8	0.883	-107.90	-139.00	-177.00	2.085	222.20	0.014	SPLSR ≤ 0.04, Not required
	LTE Band 30_Ant 8	1.054	-108.00	-134.00	-177.00	2.256	220.84	0.015	SPLSR ≤ 0.04, Not required
	LTE Band 66_Ant 8	0.943	-113.50	-135.00	-174.00	2.145	226.38	0.014	SPLSR ≤ 0.04, Not required
	LTE Band 41_Ant 8	1.077	-109.00	-132.00	-174.00	2.279	221.24	0.016	SPLSR ≤ 0.04, Not required
	CA_41C_Ant 8	1.071	-106.20	-135.60	-177.00	2.273	219.57	0.016	SPLSR ≤ 0.04, Not required
	LTE Band 48_Ant 8	0.831	-101.20	-137.00	-177.00	2.033	215.21	0.013	SPLSR ≤ 0.04, Not required
	NR n2_Ant 8	1.169	-107.50	-138.00	-177.00	2.371	221.52	0.016	SPLSR ≤ 0.04, Not required
	NR n66_Ant 8	1.005	-113.40	-133.00	-174.00	2.207	225.74	0.015	SPLSR ≤ 0.04, Not required
NR n41_Ant 8	1.064	-108.70	-132.00	-174.00	2.266	220.95	0.015	SPLSR ≤ 0.04, Not required	
NR n77_FCC_Ant 8	0.998	-101.60	-137.20	-177.00	2.200	215.65	0.015	SPLSR ≤ 0.04, Not required	
NR n77 & n78_FCC_Ant 8	0.606	-100.80	-137.20	-177.00	1.808	214.89	0.011	SPLSR ≤ 0.04, Not required	
NR n78_FCC_Ant 8	0.819	-100.00	-137.20	-177.00	2.021	214.13	0.013	SPLSR ≤ 0.04, Not required	

Unless otherwise stated the results shown in this test report refer only to the sample(s) tested and such sample(s) are retained for 90 days only.

除非另有說明，此報告結果僅對測試之樣品負責，同時此樣品僅保留90天。本報告未經本公司書面許可，不可部份複製。

This document is issued by the Company subject to its General Conditions of Service printed overleaf, available on request or accessible at <http://www.sgs.com.tw/Terms-and-Conditions> and for electronic format documents, subject to Terms and Conditions for Electronic Documents at <http://www.sgs.com.tw/Terms-and-Conditions>. Attention is drawn to the limitation of liability, indemnification and jurisdiction issues defined therein. Any holder of this document is advised that information contained hereon reflects the Company's findings at the time of its intervention only and within the limits of Client's instructions, if any. The Company's sole responsibility is to its Client and this document does not exonerate parties to a transaction from exercising all their rights and obligations under the transaction documents. This document cannot be reproduced except in full, without prior written approval of the Company. Any unauthorized alteration, forgery or falsification of the content or appearance of this document is unlawful and offenders may be prosecuted to the fullest extent of the law.

Scenario 7 : WIF6E Ant2 + WIF6E Ant1 / BT Ant1 / WWAN									
Position	Conditions	SAR Value (W/kg)	Coordinates (mm)			ΣSAR (W/kg)	Peak Location Separation Distance (mm)	SPLSR	Simultaneous Transmission SAR Test
			x	y	z				
Bottom Surface	WIF6E Ant2	0.280	100.00	96.80	-174.00	-	-	-	-
	WIF6E Ant1	0.251	104.30	-73.00	-174.00	0.531	169.85	0.002	SPLSR ≤ 0.04, Not required
	BT Ant1	0.033	104.00	-72.20	-174.00	0.313	169.05	0.001	SPLSR ≤ 0.04, Not required
	WIF6E + BT Ant1	0.284	104.00	-72.20	-174.00	0.564	169.05	0.003	SPLSR ≤ 0.04, Not required
	LTE Band 7_Ant 5	1.052	-58.00	142.80	-174.00	1.332	164.56	0.009	SPLSR ≤ 0.04, Not required
	LTE Band 25_Ant 5	1.091	-55.00	150.00	-174.70	1.371	163.88	0.010	SPLSR ≤ 0.04, Not required
	LTE Band 41_Ant 5	0.988	-58.00	144.00	-174.70	1.268	164.90	0.009	SPLSR ≤ 0.04, Not required
	NR n41_Ant 5	1.073	-49.60	142.80	-174.80	1.353	156.51	0.010	SPLSR ≤ 0.04, Not required
	LTE Band 7_Ant 8	1.183	-117.40	-130.80	-174.00	1.463	314.75	0.006	SPLSR ≤ 0.04, Not required
	LTE Band 30_Ant 8	1.054	-109.00	-132.00	-174.00	1.334	309.89	0.005	SPLSR ≤ 0.04, Not required
	LTE Band 41_Ant 8	1.077	-109.00	-132.00	-174.00	1.357	309.89	0.005	SPLSR ≤ 0.04, Not required
	CA_41C_Ant 8	1.071	-106.20	-135.60	-177.00	1.351	310.70	0.005	SPLSR ≤ 0.04, Not required
	NR n2_Ant 8	1.169	-107.50	-138.00	-177.00	1.449	313.36	0.006	SPLSR ≤ 0.04, Not required
NR n41_Ant 8	1.064	-108.70	-132.00	-174.00	1.344	309.69	0.005	SPLSR ≤ 0.04, Not required	

Scenario 8 : WIF6E Ant1 + WWAN									
Position	Conditions	SAR Value (W/kg)	Coordinates (mm)			ΣSAR (W/kg)	Peak Location Separation Distance (mm)	SPLSR	Simultaneous Transmission SAR Test
			x	y	z				
Bottom Surface	WIF6E Ant1	0.251	104.30	-73.00	-174.00	-	-	-	-
	LTE Band 7_Ant 5	1.052	-58.00	142.80	-174.00	1.303	270.02	0.006	SPLSR ≤ 0.04, Not required
	LTE Band 25_Ant 5	1.091	-55.00	150.00	-174.70	1.342	274.05	0.006	SPLSR ≤ 0.04, Not required
	LTE Band 41_Ant 5	0.988	-58.00	144.00	-174.70	1.239	270.98	0.005	SPLSR ≤ 0.04, Not required
	NR n41_Ant 5	1.073	-49.60	142.80	-174.80	1.324	265.06	0.006	SPLSR ≤ 0.04, Not required
	LTE Band 7_Ant 8	1.183	-117.40	-130.80	-174.00	1.434	229.11	0.007	SPLSR ≤ 0.04, Not required
	LTE Band 30_Ant 8	1.054	-109.00	-132.00	-174.00	1.305	221.31	0.007	SPLSR ≤ 0.04, Not required
	LTE Band 41_Ant 8	1.077	-109.00	-132.00	-174.00	1.328	221.31	0.007	SPLSR ≤ 0.04, Not required
	CA_41C_Ant 8	1.071	-106.20	-135.60	-177.00	1.322	219.63	0.007	SPLSR ≤ 0.04, Not required
	NR n2_Ant 8	1.169	-107.50	-138.00	-177.00	1.420	221.57	0.008	SPLSR ≤ 0.04, Not required
	NR n41_Ant 8	1.064	-108.70	-132.00	-174.00	1.315	221.02	0.007	SPLSR ≤ 0.04, Not required

Unless otherwise stated the results shown in this test report refer only to the sample(s) tested and such sample(s) are retained for 90 days only.

除非另有說明，此報告結果僅對測試之樣品負責，同時此樣品僅保留90天。本報告未經本公司書面許可，不可部份複製。

This document is issued by the Company subject to its General Conditions of Service printed overleaf, available on request or accessible at <http://www.sgs.com.tw/Terms-and-Conditions>, and for electronic format documents, subject to Terms and Conditions for Electronic Documents at <http://www.sgs.com.tw/Terms-and-Conditions>. Attention is drawn to the limitation of liability, indemnification and jurisdiction issues defined therein. Any holder of this document is advised that information contained hereon reflects the Company's findings at the time of its intervention only and within the limits of Client's instructions, if any. The Company's sole responsibility is to its Client and this document does not exonerate parties to a transaction from exercising all their rights and obligations under the transaction documents. This document cannot be reproduced except in full, without prior written approval of the Company. Any unauthorized alteration, forgery or falsification of the content or appearance of this document is unlawful and offenders may be prosecuted to the fullest extent of the law.

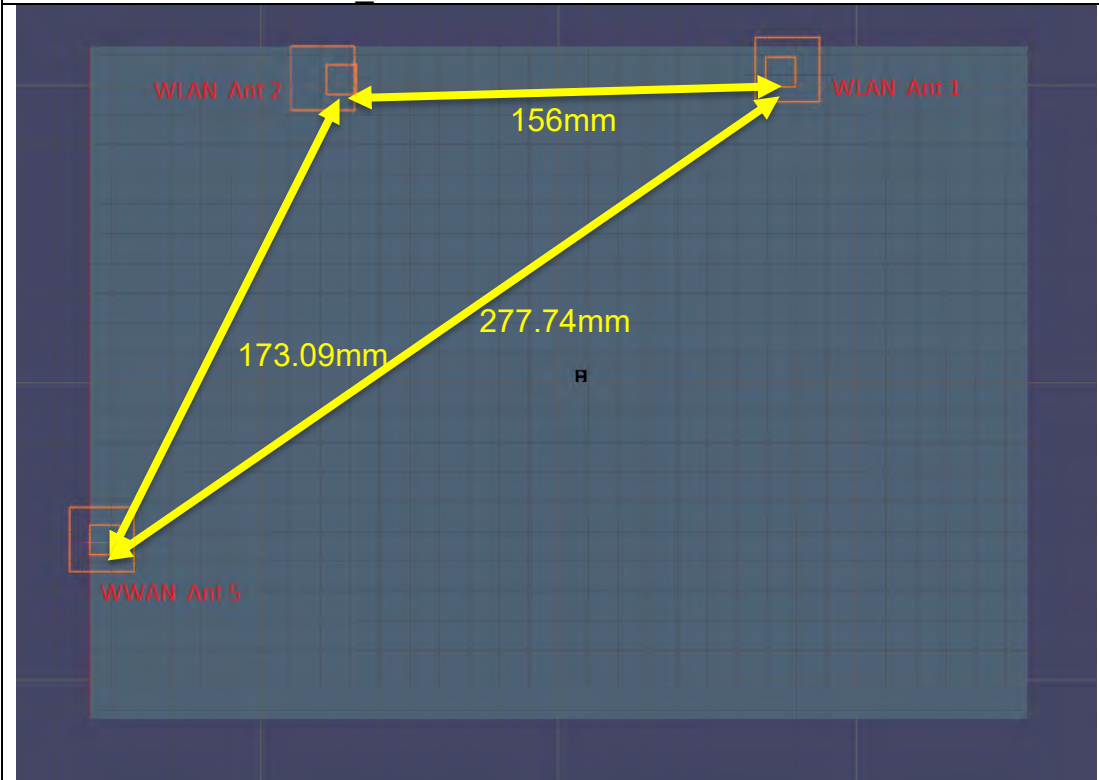
Scenario 9 : WIFi6E + BT Ant1 + WWAN									
Position	Conditions	SAR Value (W/kg)	Coordinates (mm)			ΣSAR (W/kg)	Peak Location Separation Distance (mm)	SPLSR	Simultaneous Transmission SAR Test
			x	y	z				
Bottom Surface	WIFi6E + BT Ant1	0.284	104.00	-72.20	-174.00	-	-	-	-
	LTE Band 7_Ant 5	1.052	-58.00	142.80	-174.00	1.336	269.20	0.006	SPLSR ≤ 0.04, Not required
	LTE Band 25_Ant 5	1.091	-55.00	150.00	-174.70	1.375	273.23	0.006	SPLSR ≤ 0.04, Not required
	LTE Band 41_Ant 5	0.988	-58.00	144.00	-174.70	1.272	270.16	0.005	SPLSR ≤ 0.04, Not required
	NR n41_Ant 5	1.073	-49.60	142.80	-174.80	1.357	264.23	0.006	SPLSR ≤ 0.04, Not required
	LTE Band 7_Ant 8	1.183	-117.40	-130.80	-174.00	1.467	229.02	0.008	SPLSR ≤ 0.04, Not required
	LTE Band 30_Ant 8	1.054	-109.00	-132.00	-174.00	1.338	221.24	0.007	SPLSR ≤ 0.04, Not required
	LTE Band 41_Ant 8	1.077	-109.00	-132.00	-174.00	1.361	221.24	0.007	SPLSR ≤ 0.04, Not required
	CA_41C_Ant 8	1.071	-106.20	-135.60	-177.00	1.355	219.57	0.007	SPLSR ≤ 0.04, Not required
	NR n2_Ant 8	1.169	-107.50	-138.00	-177.00	1.453	221.52	0.008	SPLSR ≤ 0.04, Not required
	NR n41_Ant 8	1.064	-108.70	-132.00	-174.00	1.348	220.95	0.007	SPLSR ≤ 0.04, Not required

Unless otherwise stated the results shown in this test report refer only to the sample(s) tested and such sample(s) are retained for 90 days only.

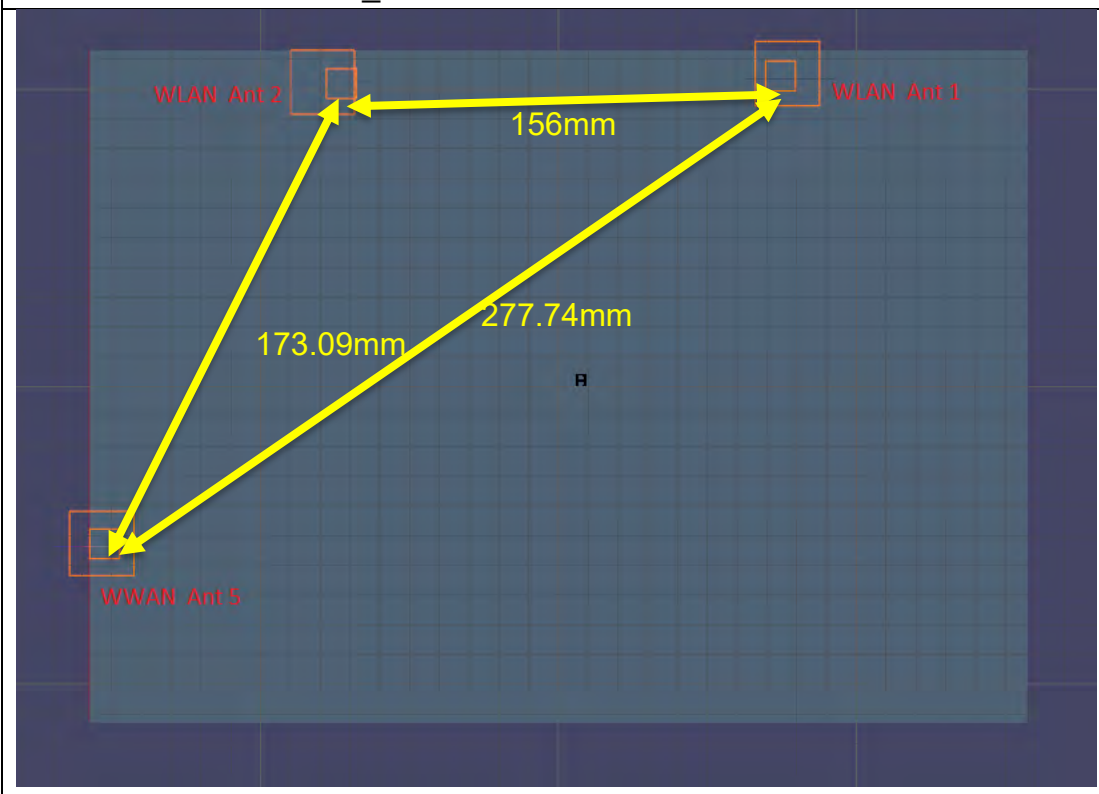
除非另有說明，此報告結果僅對測試之樣品負責，同時此樣品僅保留90天。本報告未經本公司書面許可，不可部份複製。

This document is issued by the Company subject to its General Conditions of Service printed overleaf, available on request or accessible at <http://www.sgs.com.tw/Terms-and-Conditions>, and for electronic format documents, subject to Terms and Conditions for Electronic Documents at <http://www.sgs.com.tw/Terms-and-Conditions>. Attention is drawn to the limitation of liability, indemnification and jurisdiction issues defined therein. Any holder of this document is advised that information contained hereon reflects the Company's findings at the time of its intervention only and within the limits of Client's instructions, if any. The Company's sole responsibility is to its Client and this document does not exonerate parties to a transaction from exercising all their rights and obligations under the transaction documents. This document cannot be reproduced except in full, without prior written approval of the Company. Any unauthorized alteration, forgery or falsification of the content or appearance of this document is unlawful and offenders may be prosecuted to the fullest extent of the law.

WCDMA Band II Ant 5 + WLAN2.4G Ant2 + WLAN2.4G Ant1



WCDMA Band IV_Ant 5 + WLAN2.4G Ant2 + WLAN2.4G Ant1

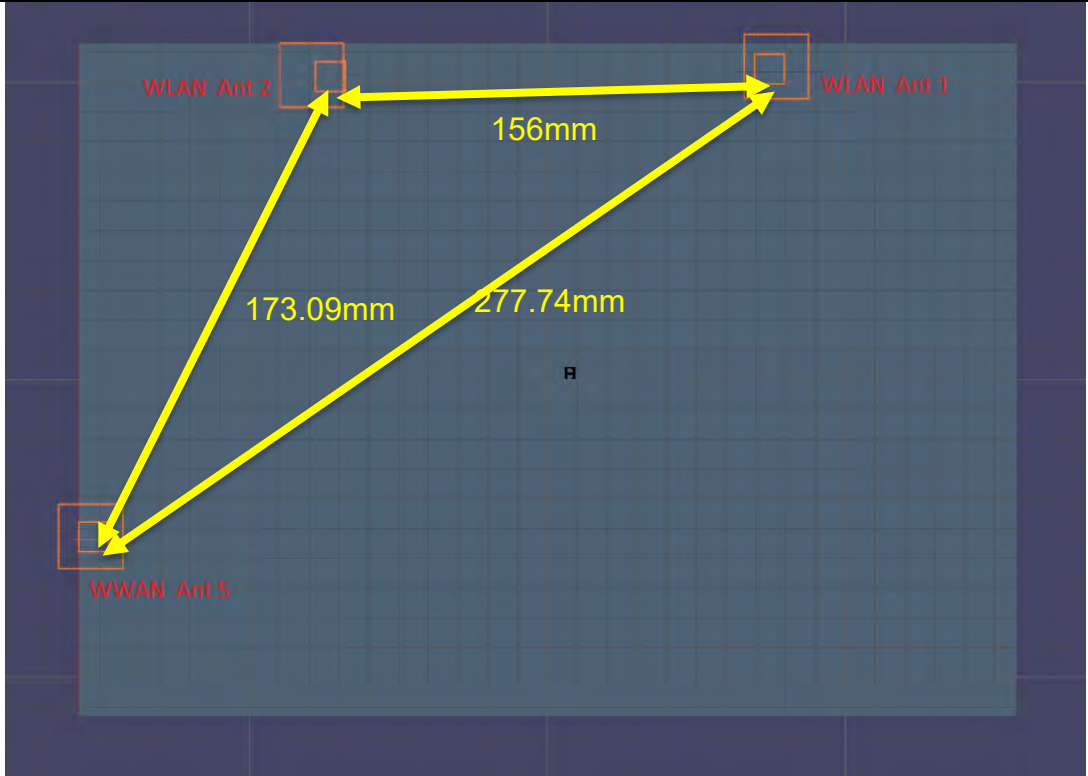


Unless otherwise stated the results shown in this test report refer only to the sample(s) tested and such sample(s) are retained for 90 days only.

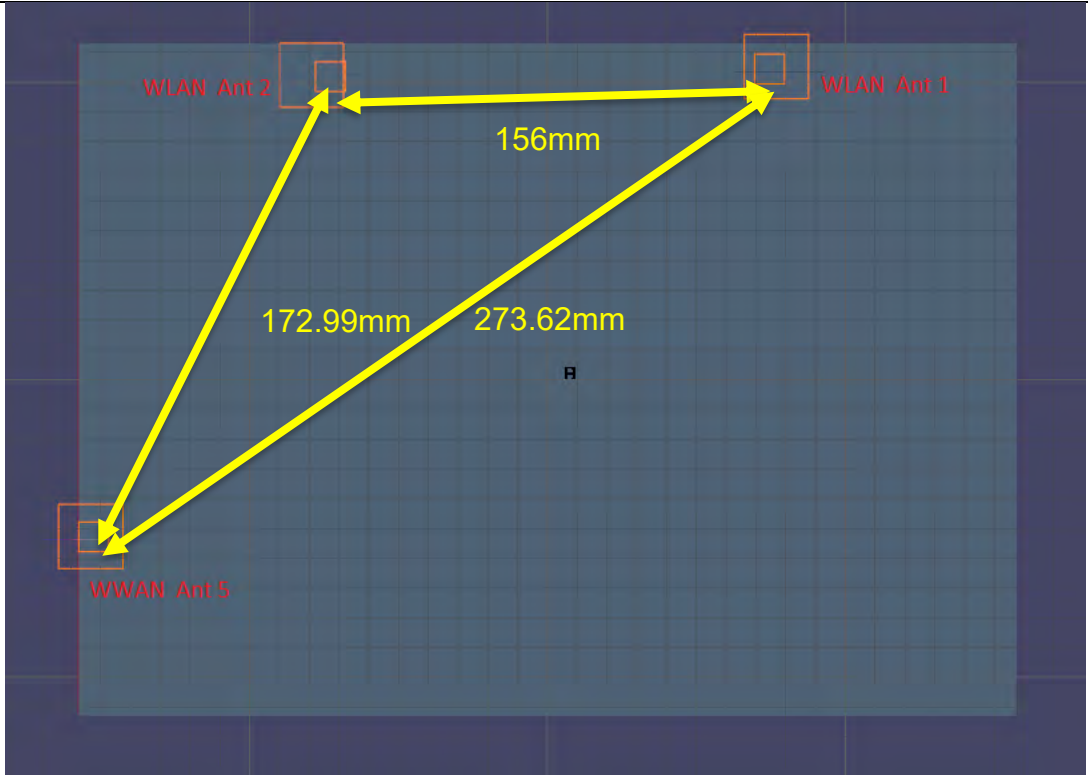
除非另有說明，此報告結果僅對測試之樣品負責，同時此樣品僅保留90天。本報告未經本公司書面許可，不可部份複製。

This document is issued by the Company subject to its General Conditions of Service printed overleaf, available on request or accessible at <http://www.sgs.com.tw/Terms-and-Conditions> and for electronic format documents, subject to Terms and Conditions for Electronic Documents at <http://www.sgs.com.tw/Terms-and-Conditions>. Attention is drawn to the limitation of liability, indemnification and jurisdiction issues defined therein. Any holder of this document is advised that information contained herein reflects the Company's findings at the time of its intervention only and within the limits of Client's instructions, if any. The Company's sole responsibility is to its Client and this document does not exonerate parties to a transaction from exercising all their rights and obligations under the transaction documents. This document cannot be reproduced except in full, without prior written approval of the Company. Any unauthorized alteration, forgery or falsification of the content or appearance of this document is unlawful and offenders may be prosecuted to the fullest extent of the law.

LTE Band 2_Ant 5 + WLAN2.4G Ant2 + WLAN2.4G Ant1



LTE Band 7_Ant 5 + WLAN2.4G Ant2 + WLAN2.4G Ant1

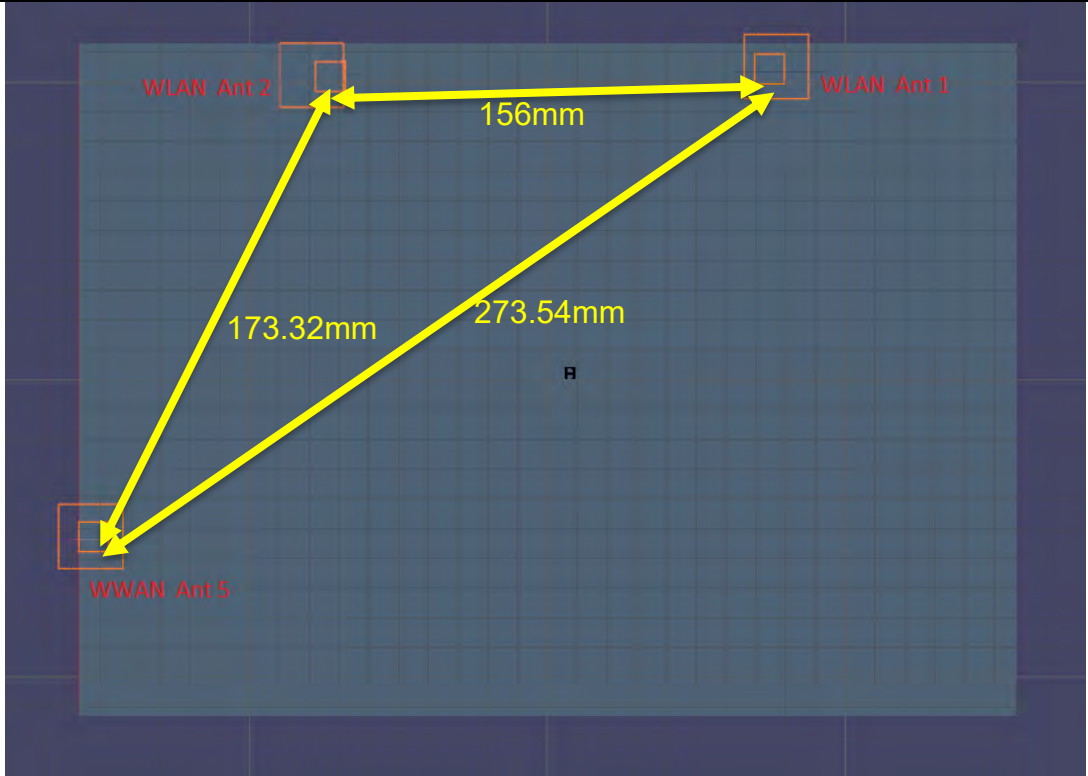


Unless otherwise stated the results shown in this test report refer only to the sample(s) tested and such sample(s) are retained for 90 days only.

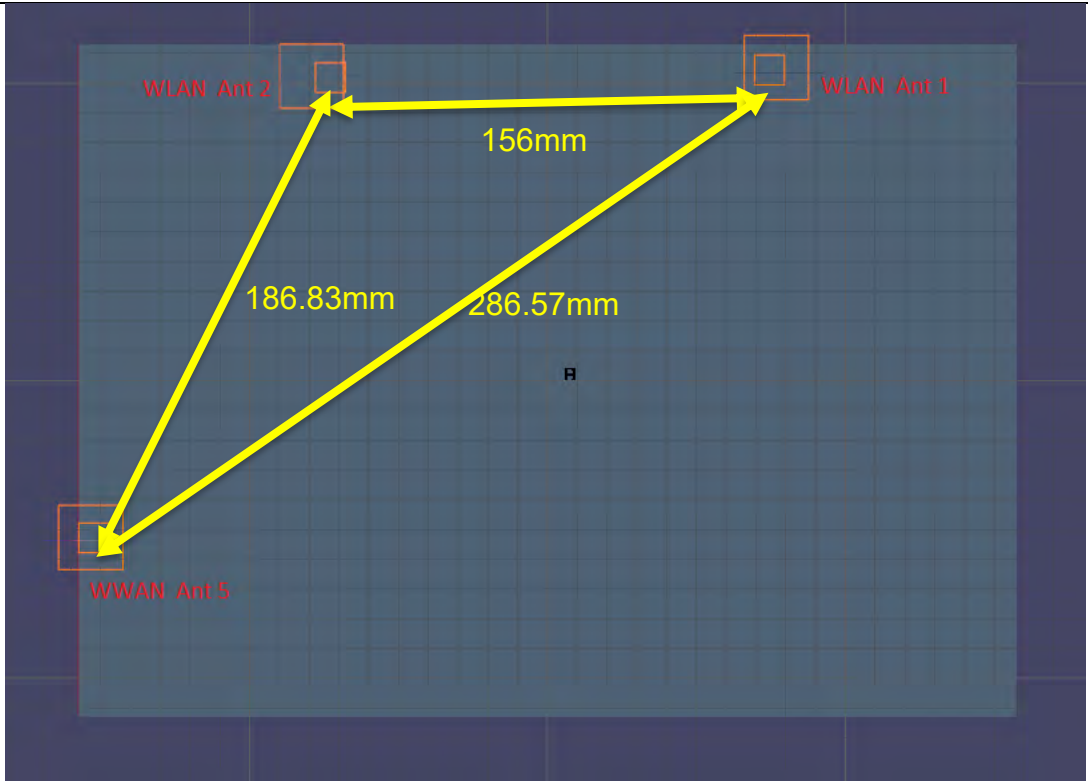
除非另有說明，此報告結果僅對測試之樣品負責，同時此樣品僅保留90天。本報告未經本公司書面許可，不可部份複製。

This document is issued by the Company subject to its General Conditions of Service printed overleaf, available on request or accessible at <http://www.sgs.com.tw/Terms-and-Conditions> and for electronic format documents, subject to Terms and Conditions for Electronic Documents at <http://www.sgs.com.tw/Terms-and-Conditions>. Attention is drawn to the limitation of liability, indemnification and jurisdiction issues defined therein. Any holder of this document is advised that information contained hereon reflects the Company's findings at the time of its intervention only and within the limits of Client's instructions, if any. The Company's sole responsibility is to its Client and this document does not exonerate parties to a transaction from exercising all their rights and obligations under the transaction documents. This document cannot be reproduced except in full, without prior written approval of the Company. Any unauthorized alteration, forgery or falsification of the content or appearance of this document is unlawful and offenders may be prosecuted to the fullest extent of the law.

CA 7C_Ant 5 + WLAN2.4G Ant2 + WLAN2.4G Ant1



LTE Band 12_Ant 5 + WLAN2.4G Ant2 + WLAN2.4G Ant1

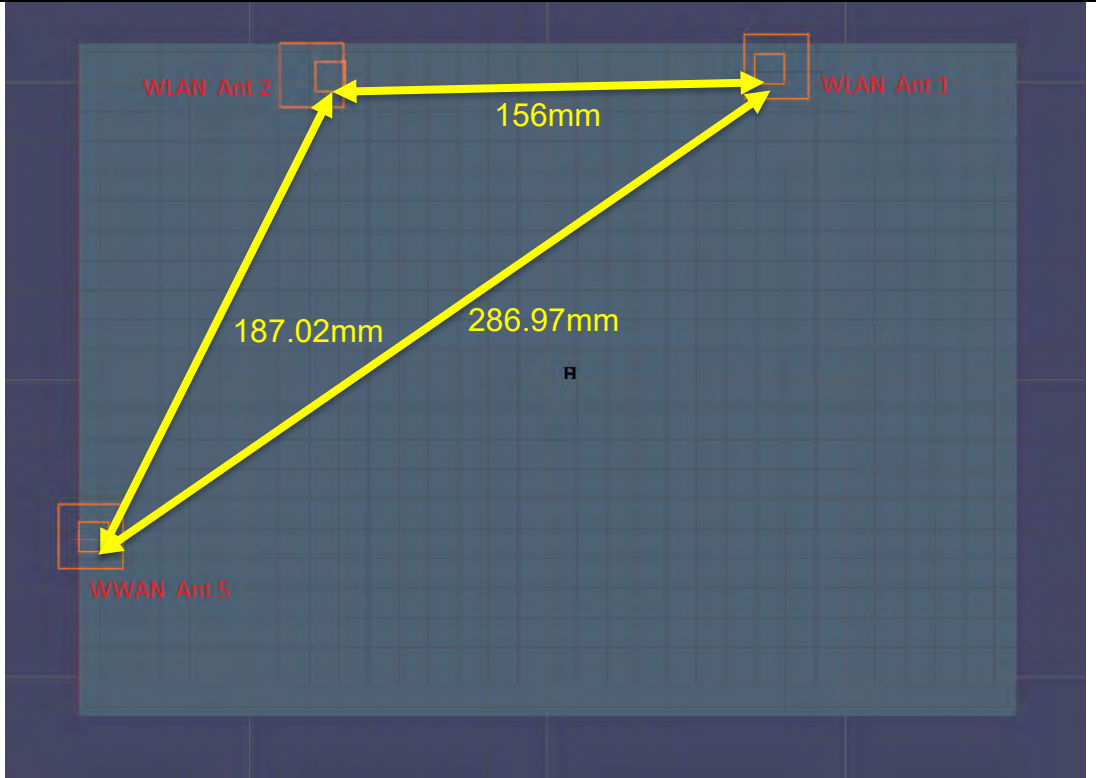


Unless otherwise stated the results shown in this test report refer only to the sample(s) tested and such sample(s) are retained for 90 days only.

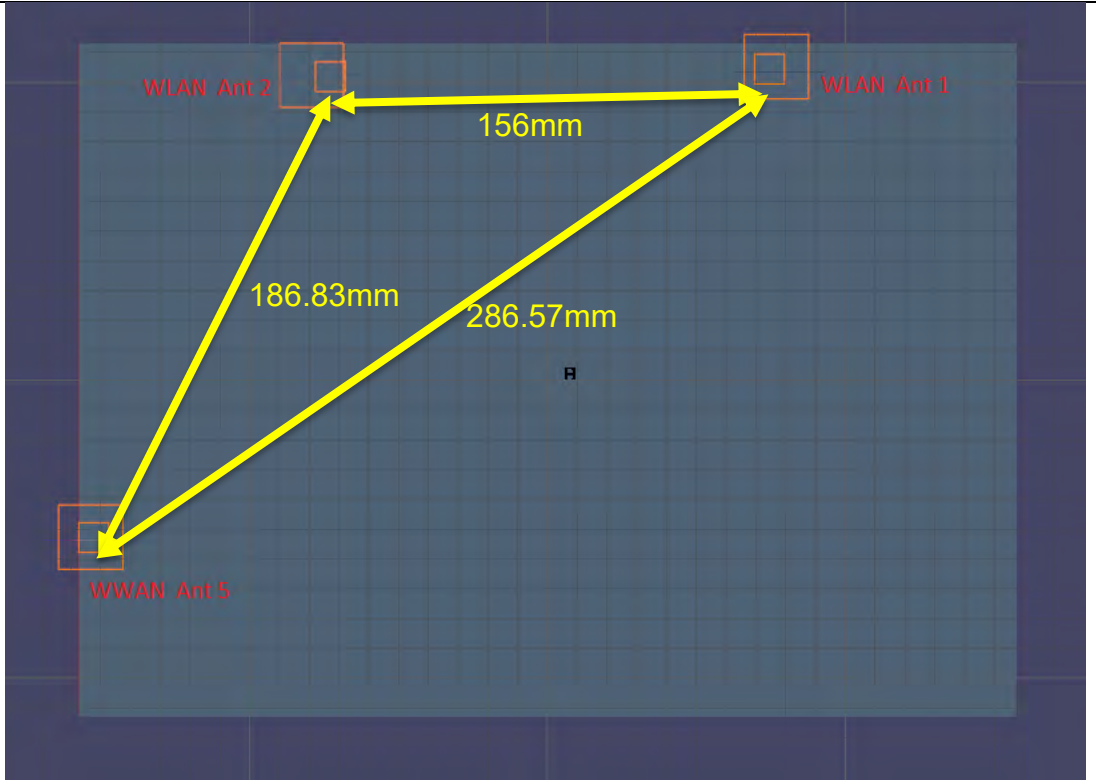
除非另有說明，此報告結果僅對測試之樣品負責，同時此樣品僅保留90天。本報告未經本公司書面許可，不可部份複製。

This document is issued by the Company subject to its General Conditions of Service printed overleaf, available on request or accessible at <http://www.sgs.com.tw/Terms-and-Conditions> and for electronic format documents, subject to Terms and Conditions for Electronic Documents at <http://www.sgs.com.tw/Terms-and-Conditions>. Attention is drawn to the limitation of liability, indemnification and jurisdiction issues defined therein. Any holder of this document is advised that information contained hereon reflects the Company's findings at the time of its intervention only and within the limits of Client's instructions, if any. The Company's sole responsibility is to its Client and this document does not exonerate parties to a transaction from exercising all their rights and obligations under the transaction documents. This document cannot be reproduced except in full, without prior written approval of the Company. Any unauthorized alteration, forgery or falsification of the content or appearance of this document is unlawful and offenders may be prosecuted to the fullest extent of the law.

LTE Band 13 Ant 5 + WLAN2.4G Ant2 + WLAN2.4G Ant1



LTE Band 17_Ant 5 + WLAN2.4G Ant2 + WLAN2.4G Ant1

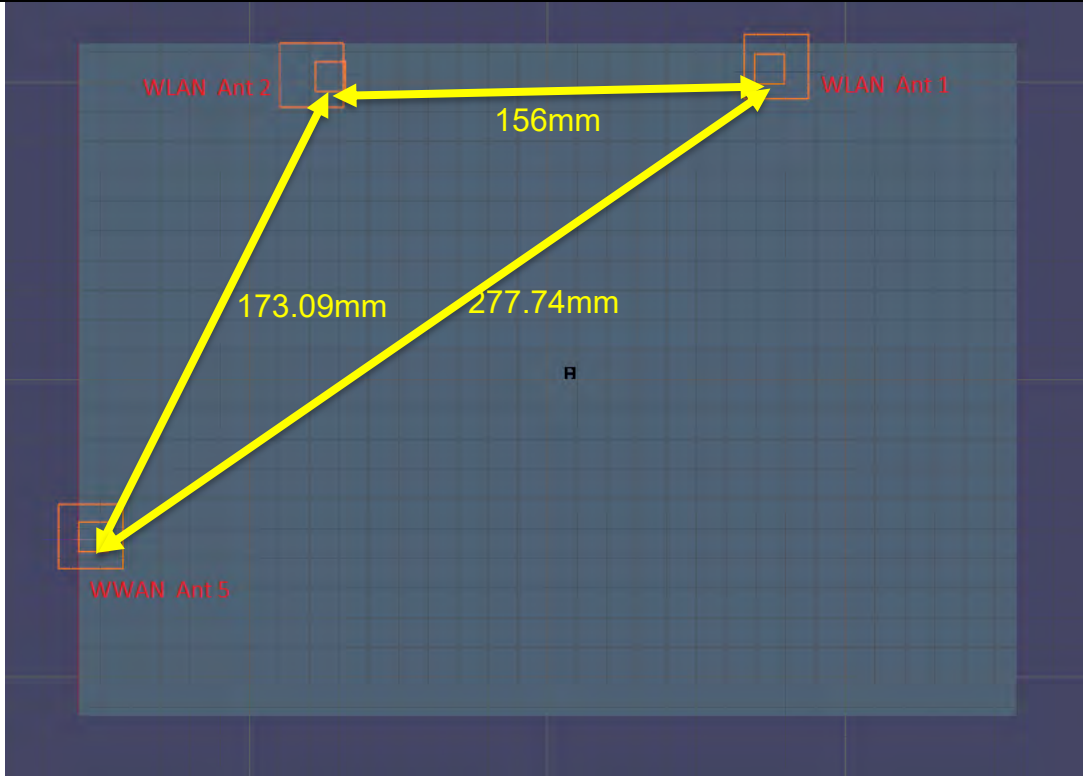


Unless otherwise stated the results shown in this test report refer only to the sample(s) tested and such sample(s) are retained for 90 days only.

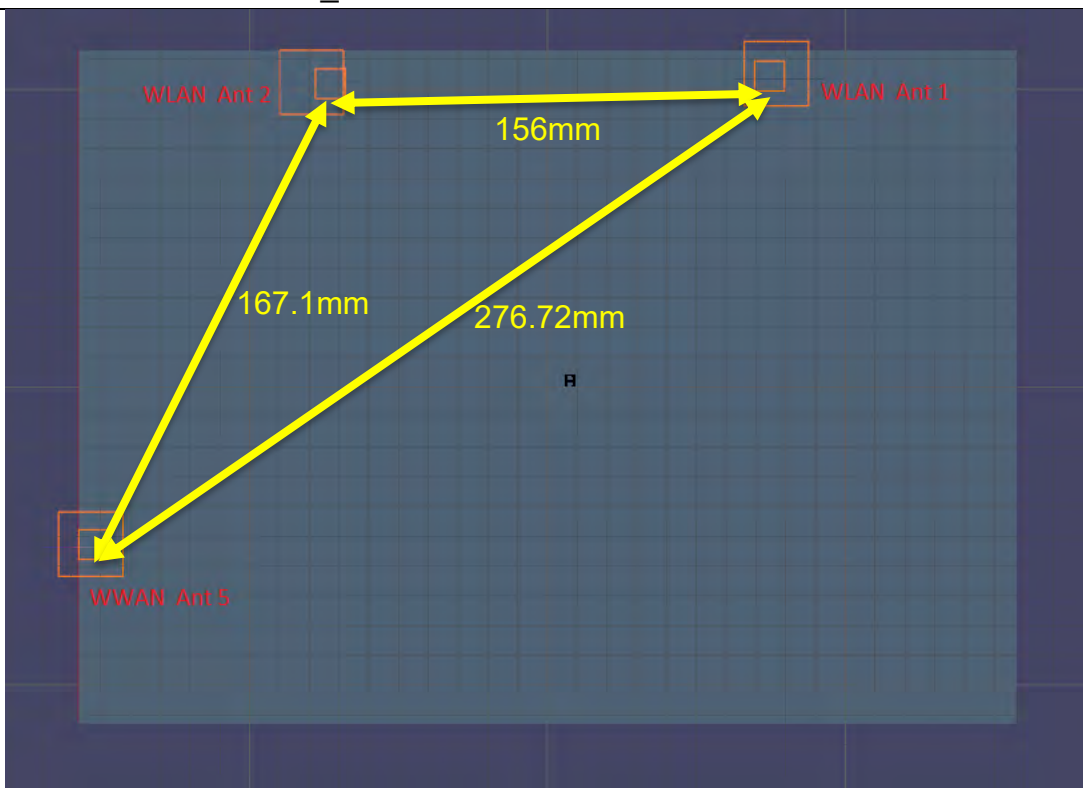
除非另有說明，此報告結果僅對測試之樣品負責，同時此樣品僅保留90天。本報告未經本公司書面許可，不可部份複製。

This document is issued by the Company subject to its General Conditions of Service printed overleaf, available on request or accessible at <http://www.sgs.com.tw/Terms-and-Conditions> and for electronic format documents, subject to Terms and Conditions for Electronic Documents at <http://www.sgs.com.tw/Terms-and-Conditions>. Attention is drawn to the limitation of liability, indemnification and jurisdiction issues defined therein. Any holder of this document is advised that information contained hereon reflects the Company's findings at the time of its intervention only and within the limits of Client's instructions, if any. The Company's sole responsibility is to its Client and this document does not exonerate parties to a transaction from exercising all their rights and obligations under the transaction documents. This document cannot be reproduced except in full, without prior written approval of the Company. Any unauthorized alteration, forgery or falsification of the content or appearance of this document is unlawful and offenders may be prosecuted to the fullest extent of the law.

LTE Band 25 Ant 5 + WLAN2.4G Ant2 + WLAN2.4G Ant1



LTE Band 30_Ant 5 + WLAN2.4G Ant2 + WLAN2.4G Ant1



Unless otherwise stated the results shown in this test report refer only to the sample(s) tested and such sample(s) are retained for 90 days only.

除非另有說明，此報告結果僅對測試之樣品負責，同時此樣品僅保留90天。本報告未經本公司書面許可，不可部份複製。

This document is issued by the Company subject to its General Conditions of Service printed overleaf, available on request or accessible at <http://www.sgs.com.tw/Terms-and-Conditions> and for electronic format documents, subject to Terms and Conditions for Electronic Documents at <http://www.sgs.com.tw/Terms-and-Conditions>. Attention is drawn to the limitation of liability, indemnification and jurisdiction issues defined therein. Any holder of this document is advised that information contained hereon reflects the Company's findings at the time of its intervention only and within the limits of Client's instructions, if any. The Company's sole responsibility is to its Client and this document does not exonerate parties to a transaction from exercising all their rights and obligations under the transaction documents. This document cannot be reproduced except in full, without prior written approval of the Company. Any unauthorized alteration, forgery or falsification of the content or appearance of this document is unlawful and offenders may be prosecuted to the fullest extent of the law.

SGS Taiwan Ltd.

No.134,Wu Kung Road, New Taipei Industrial Park, Wuku District, New Taipei City, Taiwan/新北市五股區新北產業園區五工路 134 號

台灣檢驗科技股份有限公司

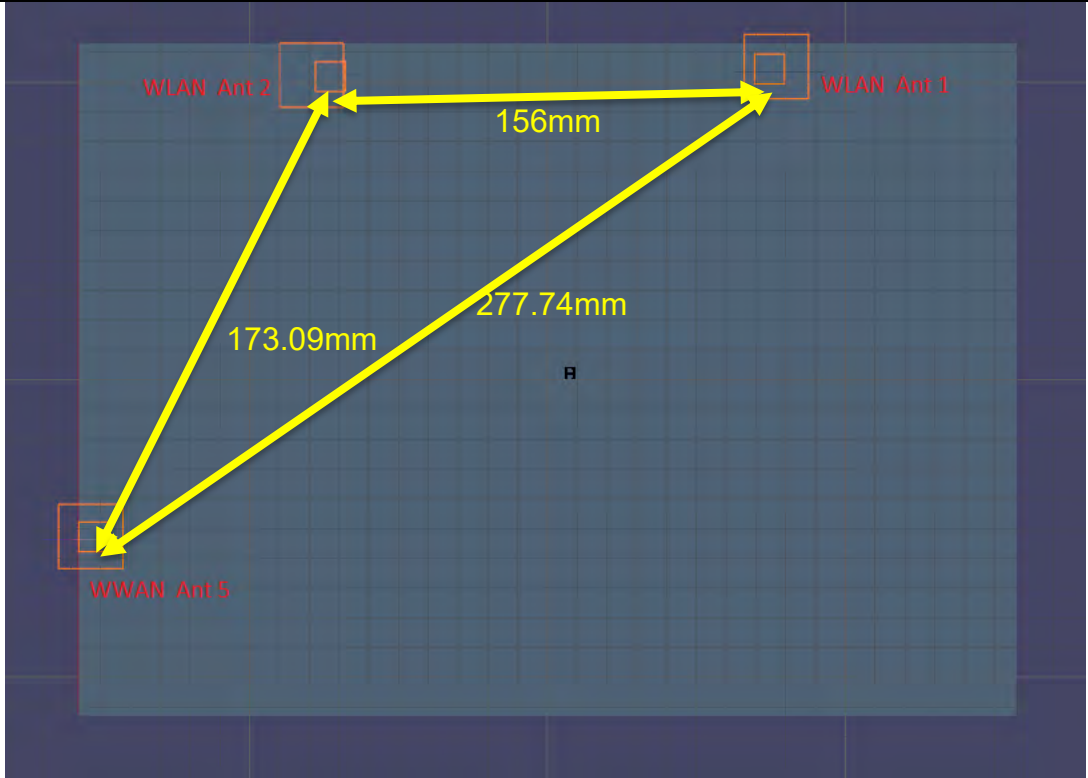
t (886-2) 2299-3279

f (886-2) 2298-0488

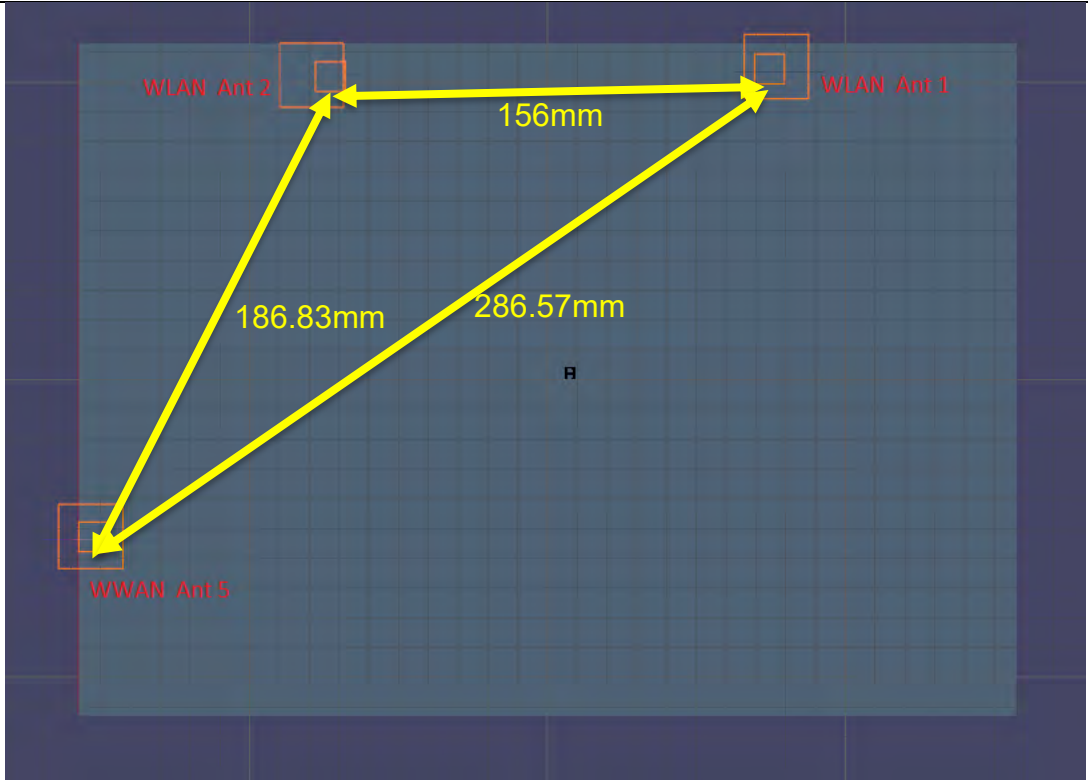
www.sgs.com.tw

Member of SGS Group

LTE Band 66 Ant 5 + WLAN2.4G Ant2 + WLAN2.4G Ant1



LTE Band 71_Ant 5 + WLAN2.4G Ant2 + WLAN2.4G Ant1

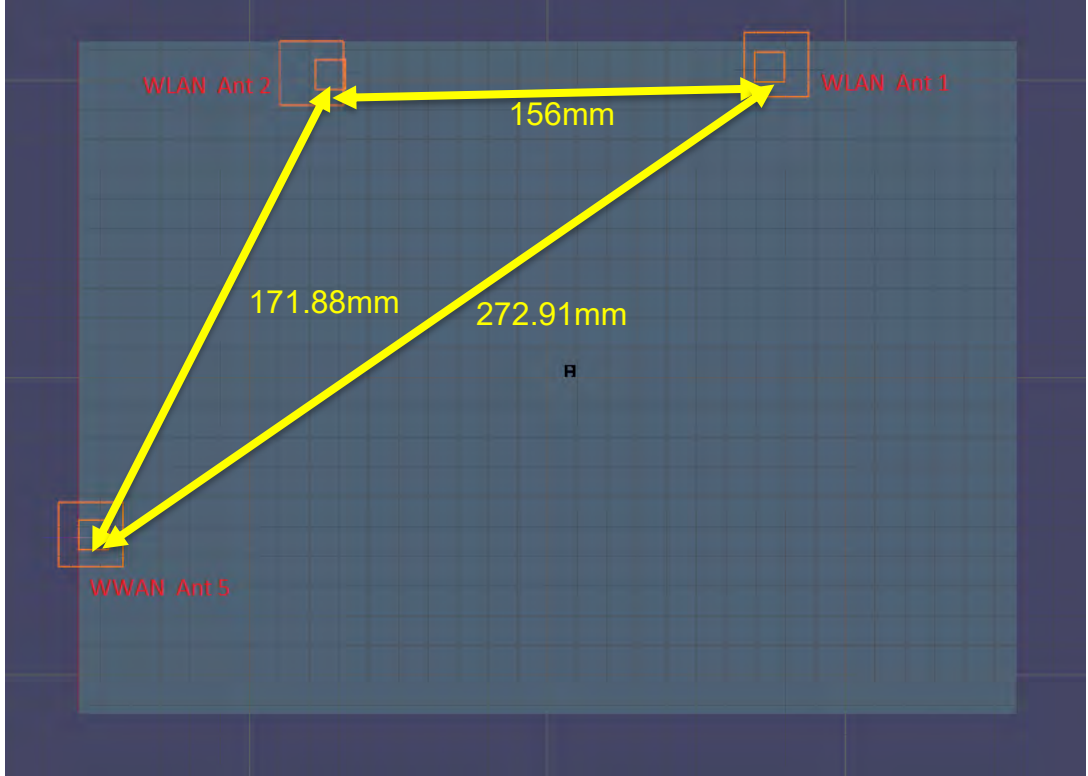


Unless otherwise stated the results shown in this test report refer only to the sample(s) tested and such sample(s) are retained for 90 days only.

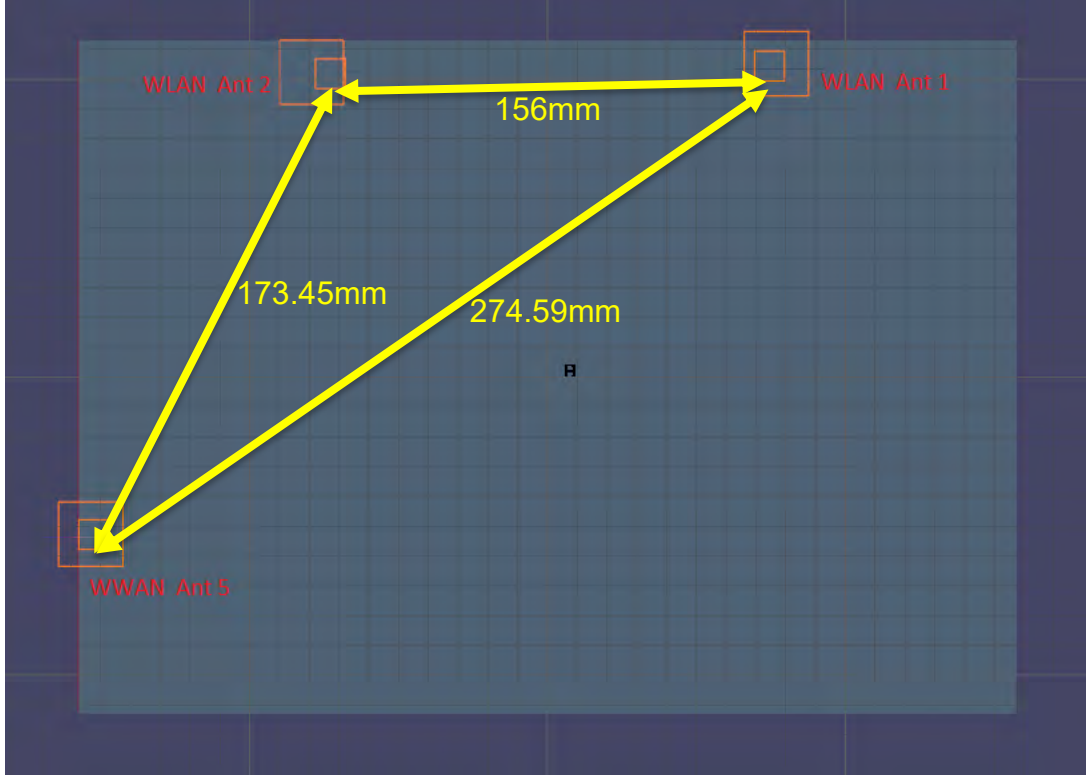
除非另有說明，此報告結果僅對測試之樣品負責，同時此樣品僅保留90天。本報告未經本公司書面許可，不可部份複製。

This document is issued by the Company subject to its General Conditions of Service printed overleaf, available on request or accessible at <http://www.sgs.com.tw/Terms-and-Conditions> and for electronic format documents, subject to Terms and Conditions for Electronic Documents at <http://www.sgs.com.tw/Terms-and-Conditions>. Attention is drawn to the limitation of liability, indemnification and jurisdiction issues defined therein. Any holder of this document is advised that information contained hereon reflects the Company's findings at the time of its intervention only and within the limits of Client's instructions, if any. The Company's sole responsibility is to its Client and this document does not exonerate parties to a transaction from exercising all their rights and obligations under the transaction documents. This document cannot be reproduced except in full, without prior written approval of the Company. Any unauthorized alteration, forgery or falsification of the content or appearance of this document is unlawful and offenders may be prosecuted to the fullest extent of the law.

LTE Band 38_Ant 5 + WLAN2. 4G Ant2 + WLAN2.4G Ant1



LTE Band 41_Ant 5 + WLAN2.4G Ant2 + WLAN2.4G Ant1



Unless otherwise stated the results shown in this test report refer only to the sample(s) tested and such sample(s) are retained for 90 days only.

除非另有說明，此報告結果僅對測試之樣品負責，同時此樣品僅保留90天。本報告未經本公司書面許可，不可部份複製。

This document is issued by the Company subject to its General Conditions of Service printed overleaf, available on request or accessible at <http://www.sgs.com.tw/Terms-and-Conditions> and for electronic format documents, subject to Terms and Conditions for Electronic Documents at <http://www.sgs.com.tw/Terms-and-Conditions>. Attention is drawn to the limitation of liability, indemnification and jurisdiction issues defined therein. Any holder of this document is advised that information contained hereon reflects the Company's findings at the time of its intervention only and within the limits of Client's instructions, if any. The Company's sole responsibility is to its Client and this document does not exonerate parties to a transaction from exercising all their rights and obligations under the transaction documents. This document cannot be reproduced except in full, without prior written approval of the Company. Any unauthorized alteration, forgery or falsification of the content or appearance of this document is unlawful and offenders may be prosecuted to the fullest extent of the law.

SGS Taiwan Ltd.

No.134,Wu Kung Road, New Taipei Industrial Park, Wuku District, New Taipei City, Taiwan/新北市五股區新北產業園區五工路 134 號

台灣檢驗科技股份有限公司

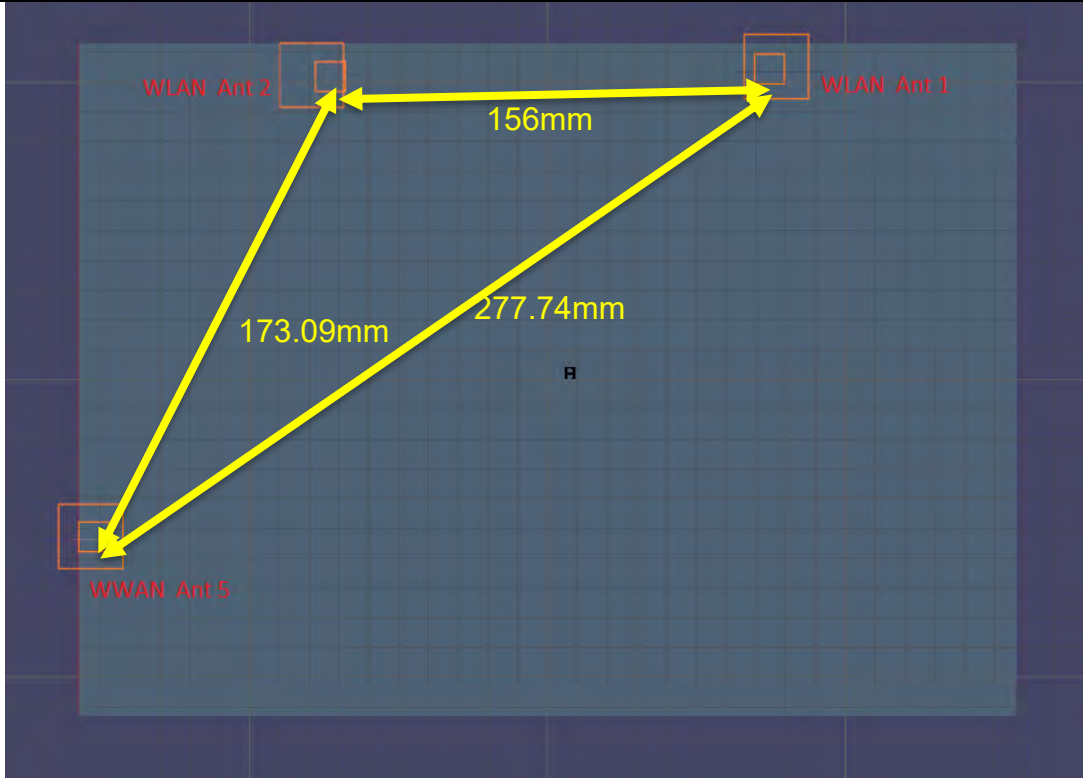
t (886-2) 2299-3279

f (886-2) 2298-0488

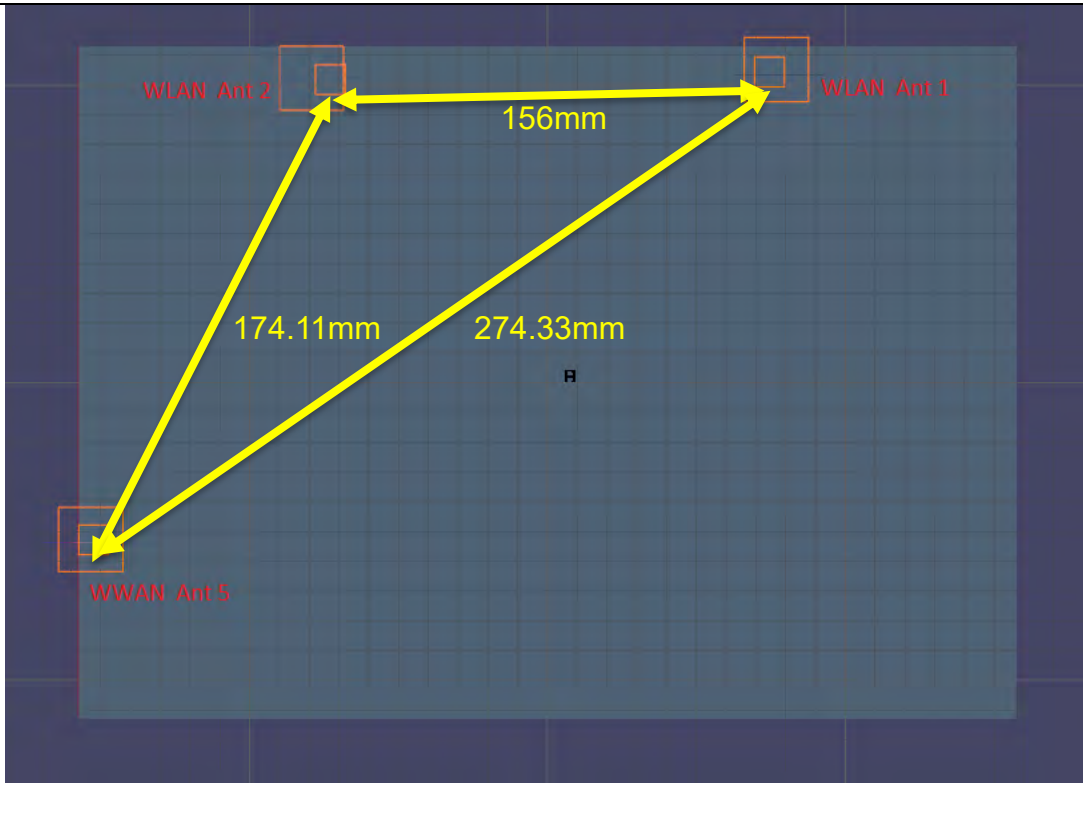
www.sgs.com.tw

Member of SGS Group

NR n2_Ant 5 + WLAN2.4G Ant2 + WLAN2.4G Ant1



NR n7_Ant 5 + WLAN2.4G Ant2 + WLAN2.4G Ant1

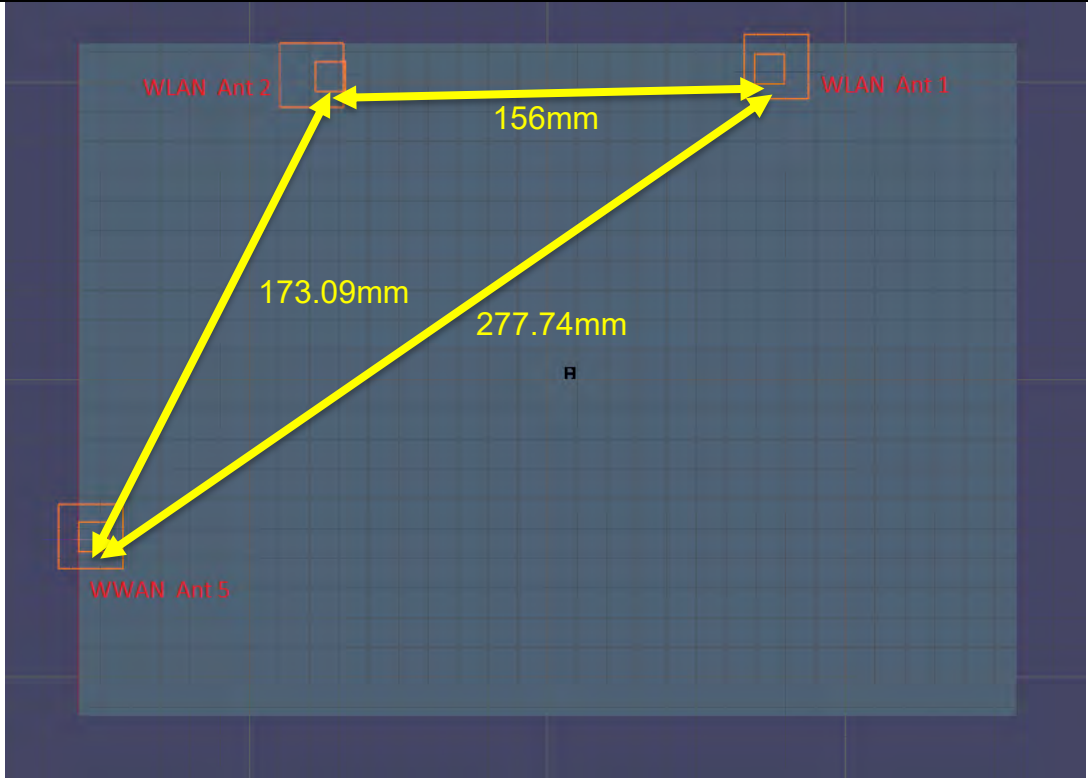


Unless otherwise stated the results shown in this test report refer only to the sample(s) tested and such sample(s) are retained for 90 days only.

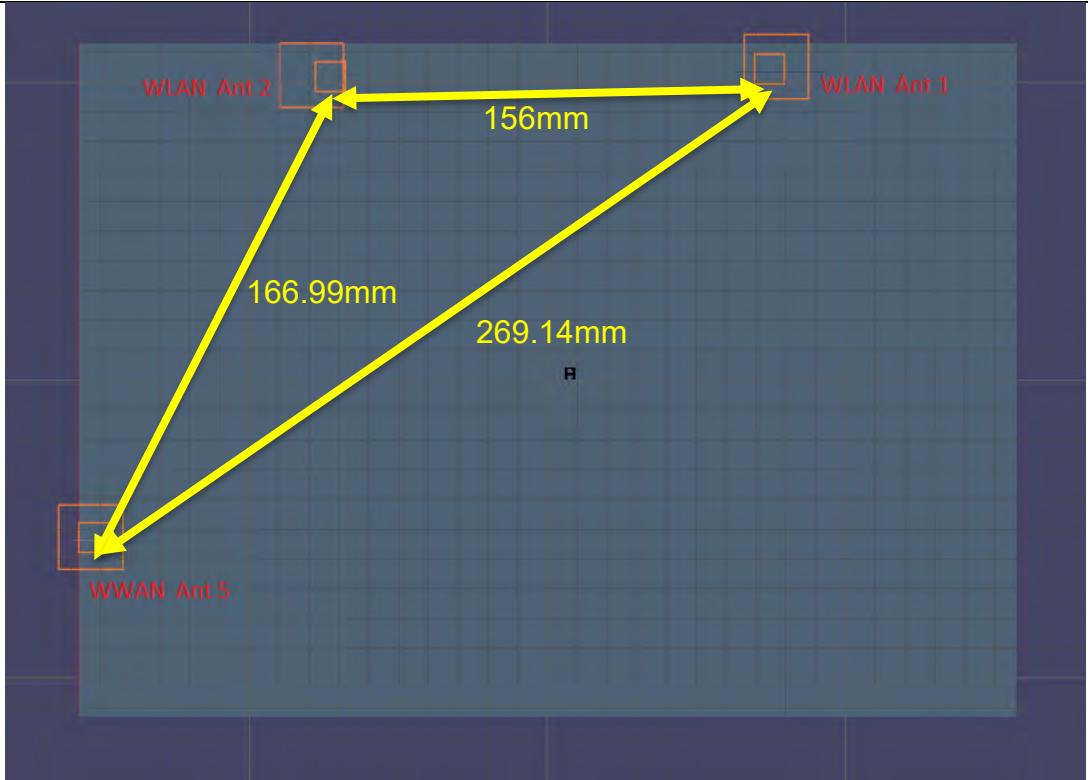
除非另有說明，此報告結果僅對測試之樣品負責，同時此樣品僅保留90天。本報告未經本公司書面許可，不可部份複製。

This document is issued by the Company subject to its General Conditions of Service printed overleaf, available on request or accessible at <http://www.sgs.com.tw/Terms-and-Conditions> and for electronic format documents, subject to Terms and Conditions for Electronic Documents at <http://www.sgs.com.tw/Terms-and-Conditions>. Attention is drawn to the limitation of liability, indemnification and jurisdiction issues defined therein. Any holder of this document is advised that information contained hereon reflects the Company's findings at the time of its intervention only and within the limits of Client's instructions, if any. The Company's sole responsibility is to its Client and this document does not exonerate parties to a transaction from exercising all their rights and obligations under the transaction documents. This document cannot be reproduced except in full, without prior written approval of the Company. Any unauthorized alteration, forgery or falsification of the content or appearance of this document is unlawful and offenders may be prosecuted to the fullest extent of the law.

NR n66_Ant 5 + WLAN2.4G Ant2 + WLAN2.4G Ant1



NR n38_Ant 5 + WLAN2.4G Ant2 + WLAN2.4G Ant1

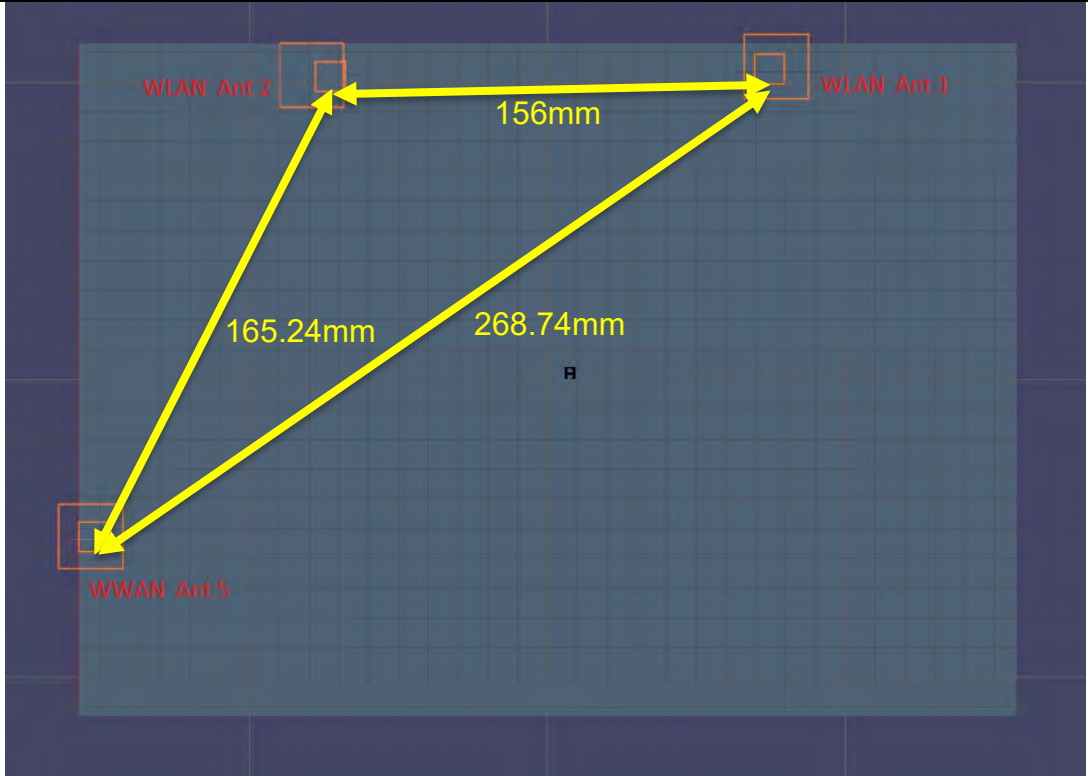


Unless otherwise stated the results shown in this test report refer only to the sample(s) tested and such sample(s) are retained for 90 days only.

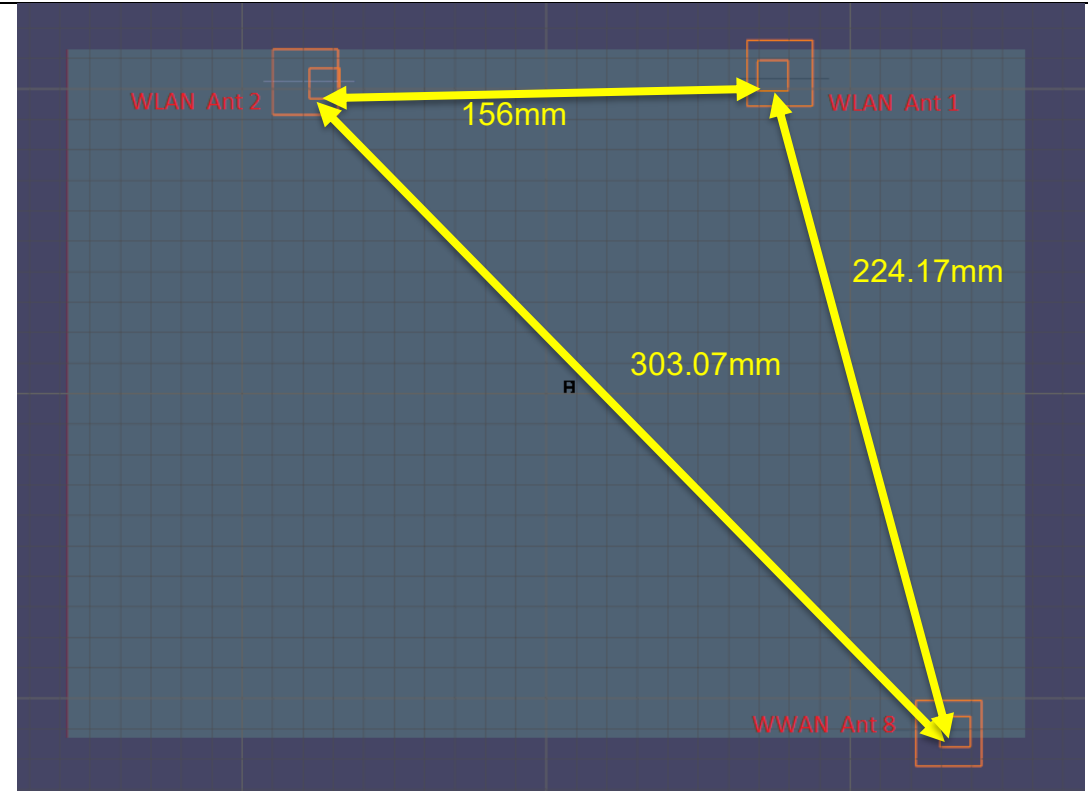
除非另有說明，此報告結果僅對測試之樣品負責，同時此樣品僅保留90天。本報告未經本公司書面許可，不可部份複製。

This document is issued by the Company subject to its General Conditions of Service printed overleaf, available on request or accessible at <http://www.sgs.com.tw/Terms-and-Conditions> and for electronic format documents, subject to Terms and Conditions for Electronic Documents at <http://www.sgs.com.tw/Terms-and-Conditions>. Attention is drawn to the limitation of liability, indemnification and jurisdiction issues defined therein. Any holder of this document is advised that information contained hereon reflects the Company's findings at the time of its intervention only and within the limits of Client's instructions, if any. The Company's sole responsibility is to its Client and this document does not exonerate parties to a transaction from exercising all their rights and obligations under the transaction documents. This document cannot be reproduced except in full, without prior written approval of the Company. Any unauthorized alteration, forgery or falsification of the content or appearance of this document is unlawful and offenders may be prosecuted to the fullest extent of the law.

NR n41_Ant 5 + WLAN2.4G Ant2 + WLAN2.4G Ant1



LTE Band 4_Ant 8 + WLAN2.4G Ant2 + WLAN2.4G Ant1

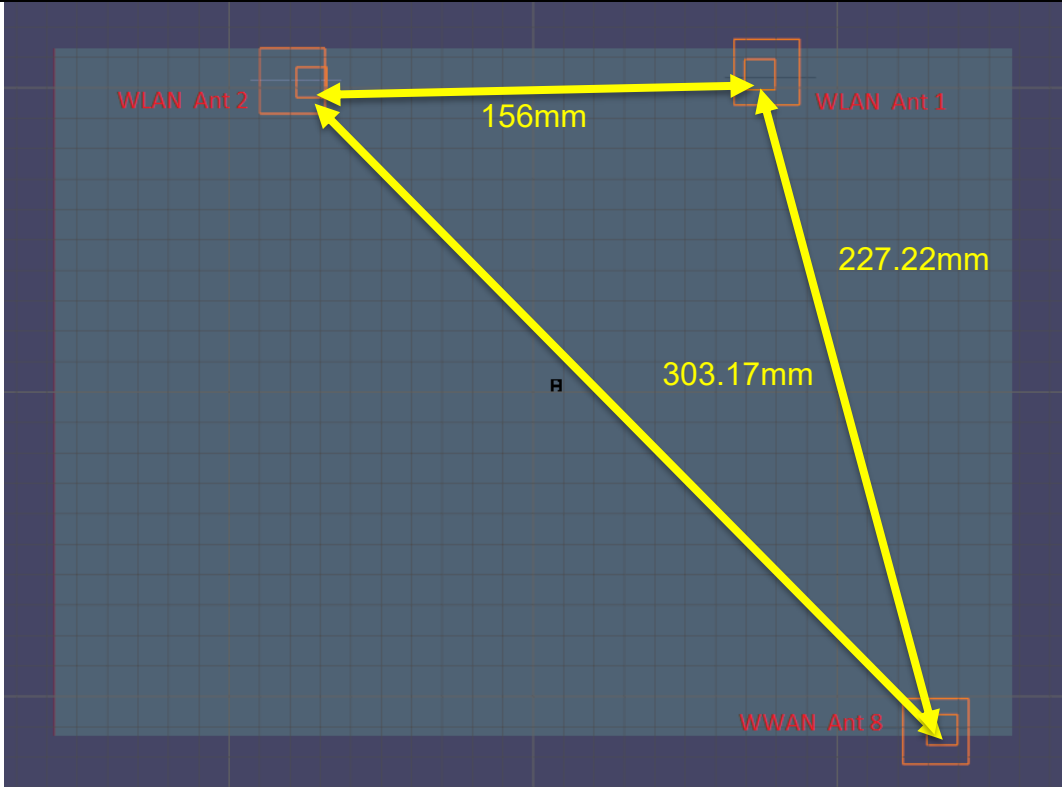


Unless otherwise stated the results shown in this test report refer only to the sample(s) tested and such sample(s) are retained for 90 days only.

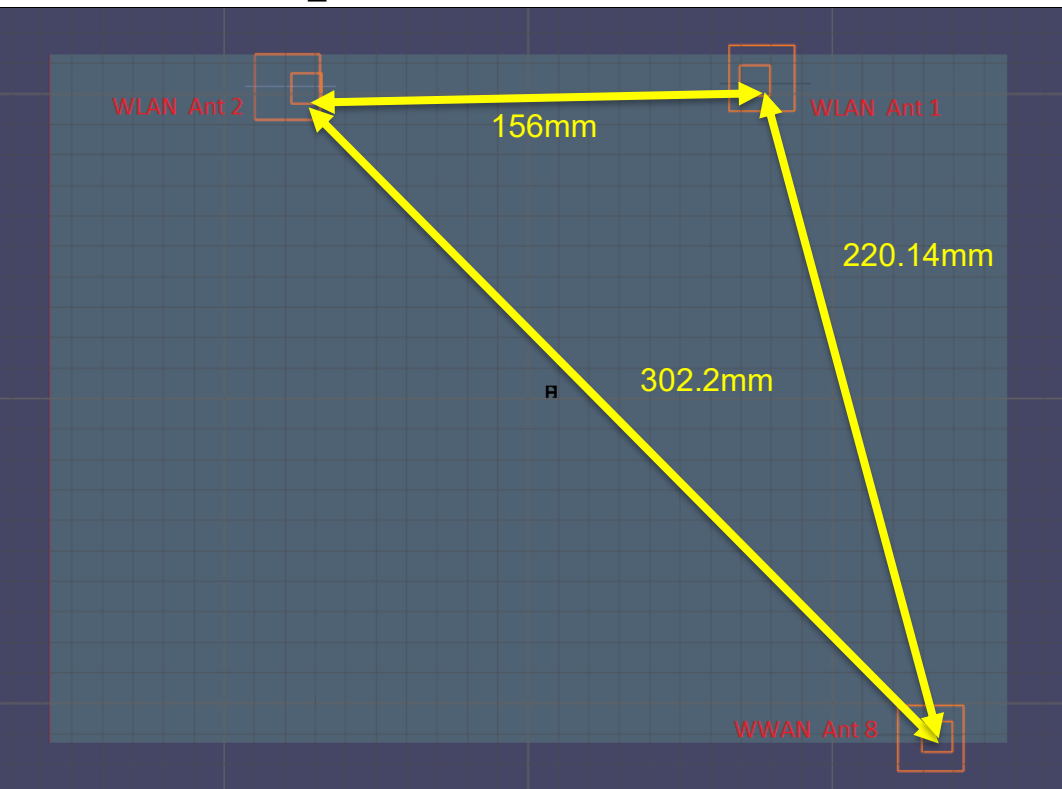
除非另有說明，此報告結果僅對測試之樣品負責，同時此樣品僅保留90天。本報告未經本公司書面許可，不可部份複製。

This document is issued by the Company subject to its General Conditions of Service printed overleaf, available on request or accessible at <http://www.sgs.com.tw/Terms-and-Conditions> and for electronic format documents, subject to Terms and Conditions for Electronic Documents at <http://www.sgs.com.tw/Terms-and-Conditions>. Attention is drawn to the limitation of liability, indemnification and jurisdiction issues defined therein. Any holder of this document is advised that information contained hereon reflects the Company's findings at the time of its intervention only and within the limits of Client's instructions, if any. The Company's sole responsibility is to its Client and this document does not exonerate parties to a transaction from exercising all their rights and obligations under the transaction documents. This document cannot be reproduced except in full, without prior written approval of the Company. Any unauthorized alteration, forgery or falsification of the content or appearance of this document is unlawful and offenders may be prosecuted to the fullest extent of the law.

LTE Band 7 Ant 8 + WLAN2.4G Ant2 + WLAN2.4G Ant1



LTE Band 25_Ant 8 + WLAN2.4G Ant2 + WLAN2.4G Ant1

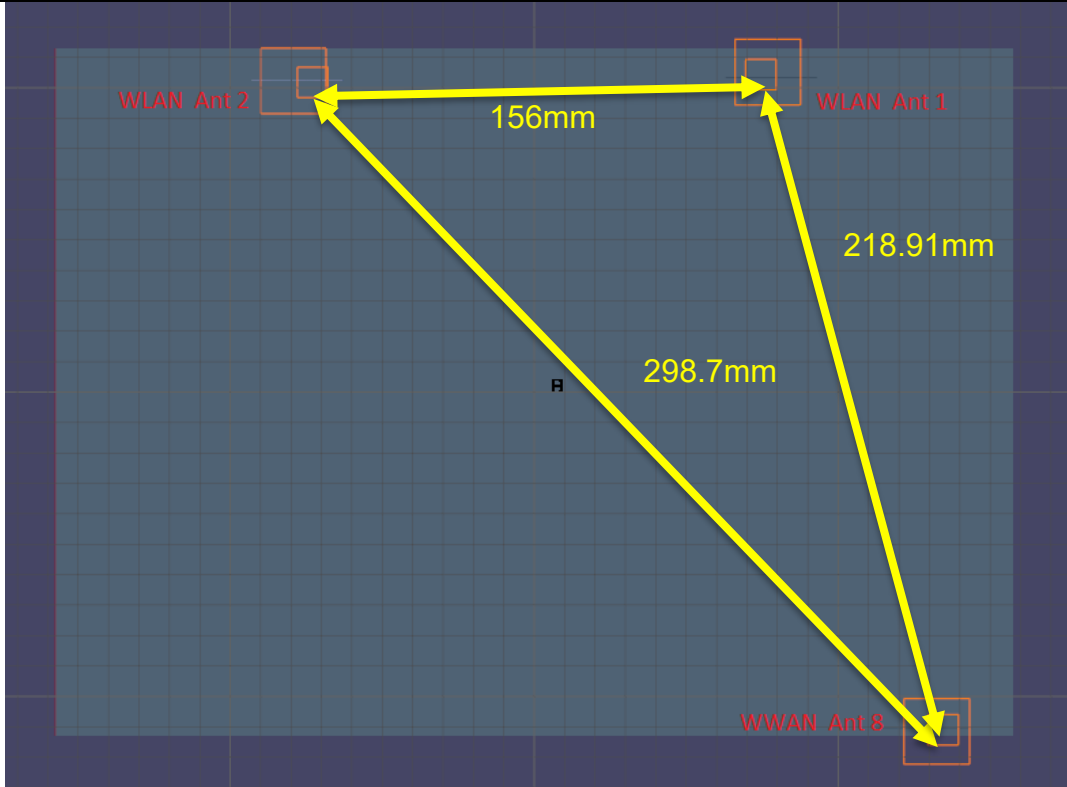


Unless otherwise stated the results shown in this test report refer only to the sample(s) tested and such sample(s) are retained for 90 days only.

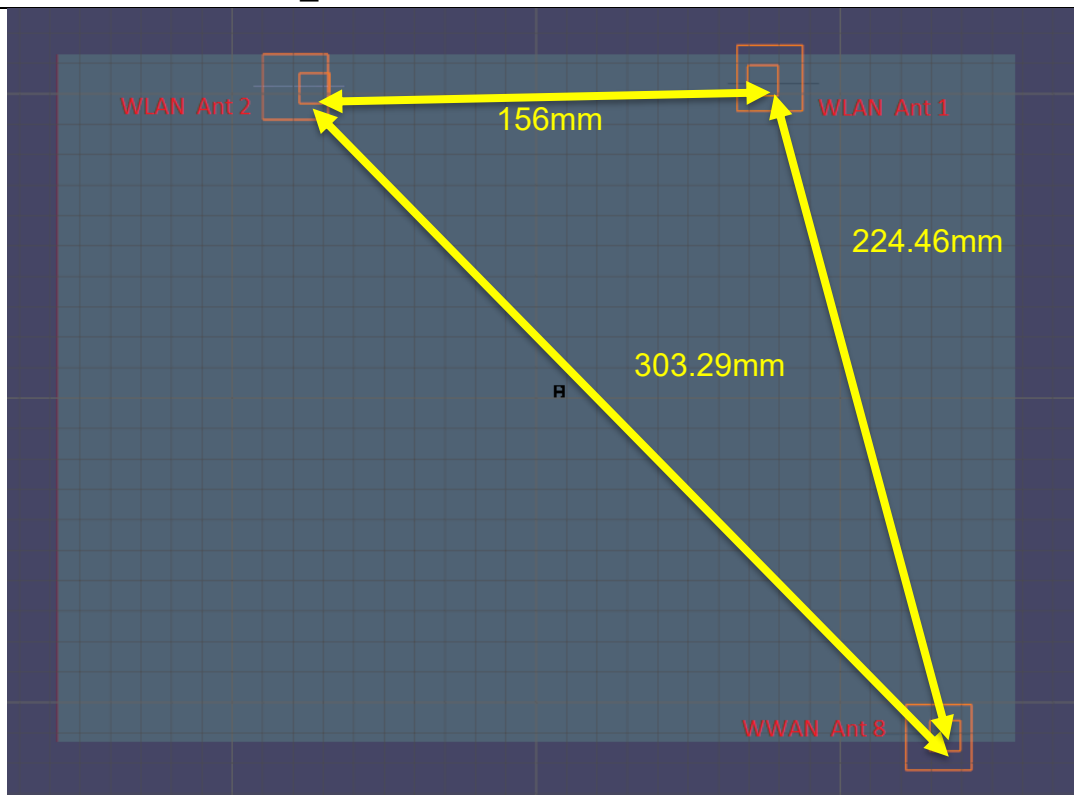
除非另有說明，此報告結果僅對測試之樣品負責，同時此樣品僅保留90天。本報告未經本公司書面許可，不可部份複製。

This document is issued by the Company subject to its General Conditions of Service printed overleaf, available on request or accessible at <http://www.sgs.com.tw/Terms-and-Conditions> and for electronic format documents, subject to Terms and Conditions for Electronic Documents at <http://www.sgs.com.tw/Terms-and-Conditions>. Attention is drawn to the limitation of liability, indemnification and jurisdiction issues defined therein. Any holder of this document is advised that information contained hereon reflects the Company's findings at the time of its intervention only and within the limits of Client's instructions, if any. The Company's sole responsibility is to its Client and this document does not exonerate parties to a transaction from exercising all their rights and obligations under the transaction documents. This document cannot be reproduced except in full, without prior written approval of the Company. Any unauthorized alteration, forgery or falsification of the content or appearance of this document is unlawful and offenders may be prosecuted to the fullest extent of the law.

LTE Band 30_Ant 8 + WLAN2.4G Ant2 + WLAN2.4G Ant1



LTE Band 66_Ant 8 + WLAN2.4G Ant2 + WLAN2.4G Ant1

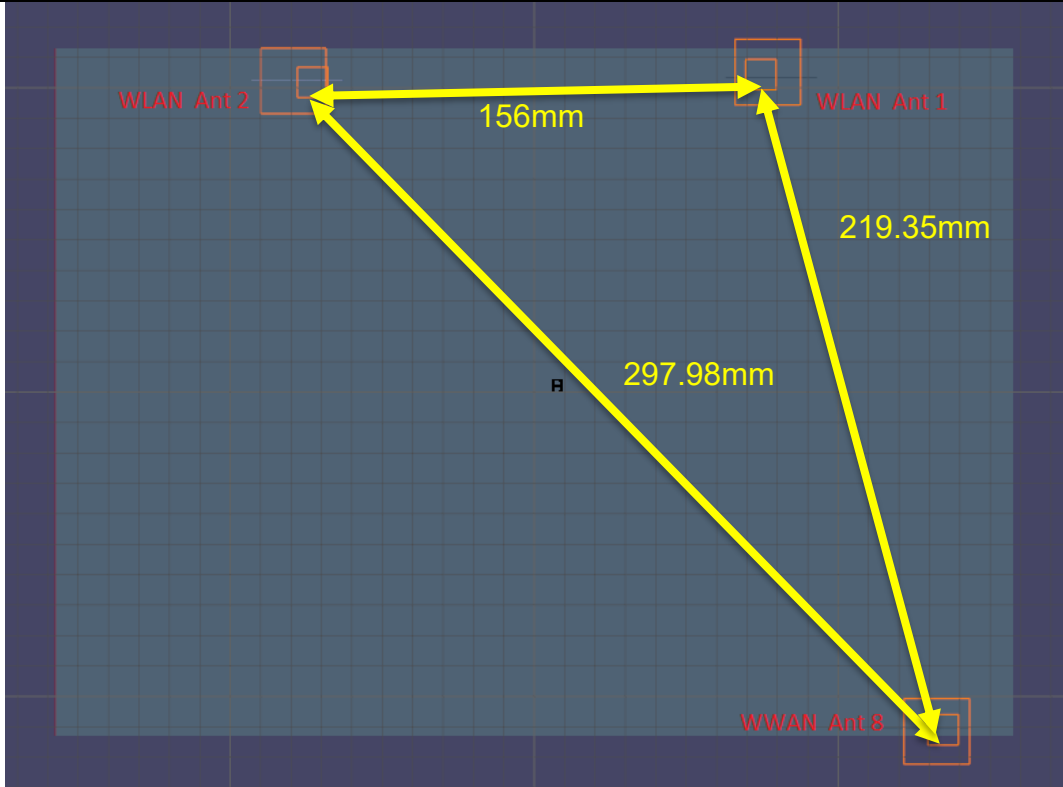


Unless otherwise stated the results shown in this test report refer only to the sample(s) tested and such sample(s) are retained for 90 days only.

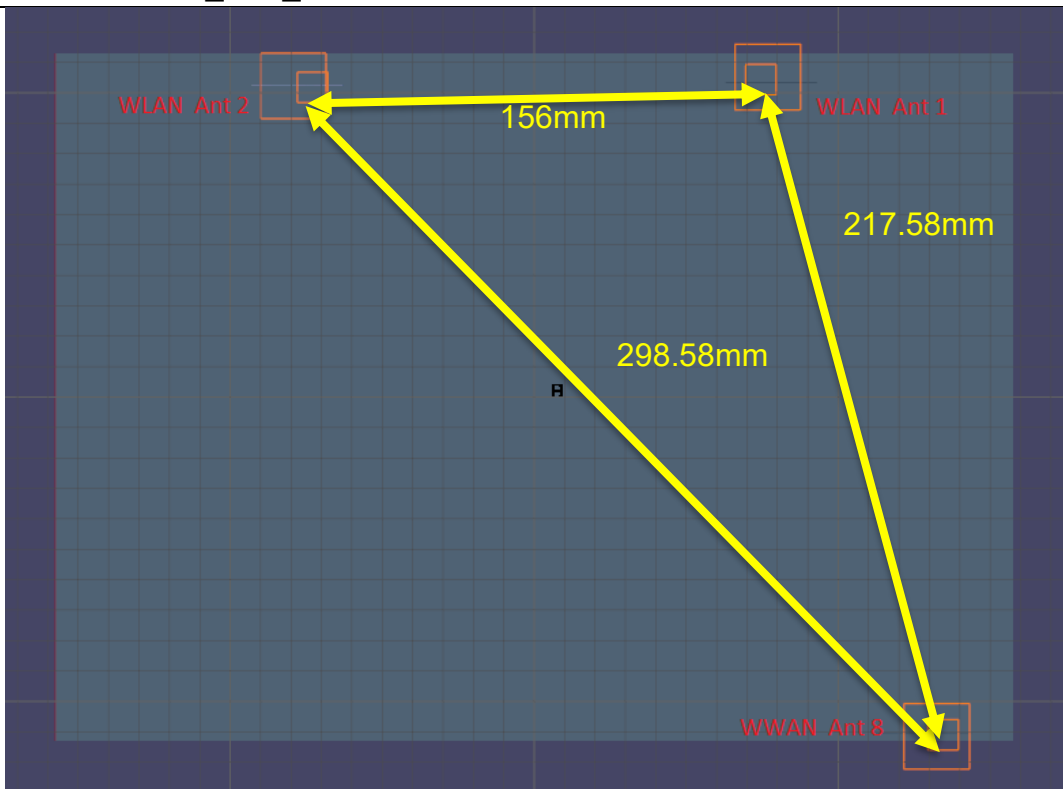
除非另有說明，此報告結果僅對測試之樣品負責，同時此樣品僅保留90天。本報告未經本公司書面許可，不可部份複製。

This document is issued by the Company subject to its General Conditions of Service printed overleaf, available on request or accessible at <http://www.sgs.com.tw/Terms-and-Conditions> and for electronic format documents, subject to Terms and Conditions for Electronic Documents at <http://www.sgs.com.tw/Terms-and-Conditions>. Attention is drawn to the limitation of liability, indemnification and jurisdiction issues defined therein. Any holder of this document is advised that information contained hereon reflects the Company's findings at the time of its intervention only and within the limits of Client's instructions, if any. The Company's sole responsibility is to its Client and this document does not exonerate parties to a transaction from exercising all their rights and obligations under the transaction documents. This document cannot be reproduced except in full, without prior written approval of the Company. Any unauthorized alteration, forgery or falsification of the content or appearance of this document is unlawful and offenders may be prosecuted to the fullest extent of the law.

LTE Band 41 Ant 8 + WLAN2.4G Ant2 + WLAN2.4G Ant1



CA_41C_Ant 8 + WLAN2.4G Ant2 + WLAN2.4G Ant1

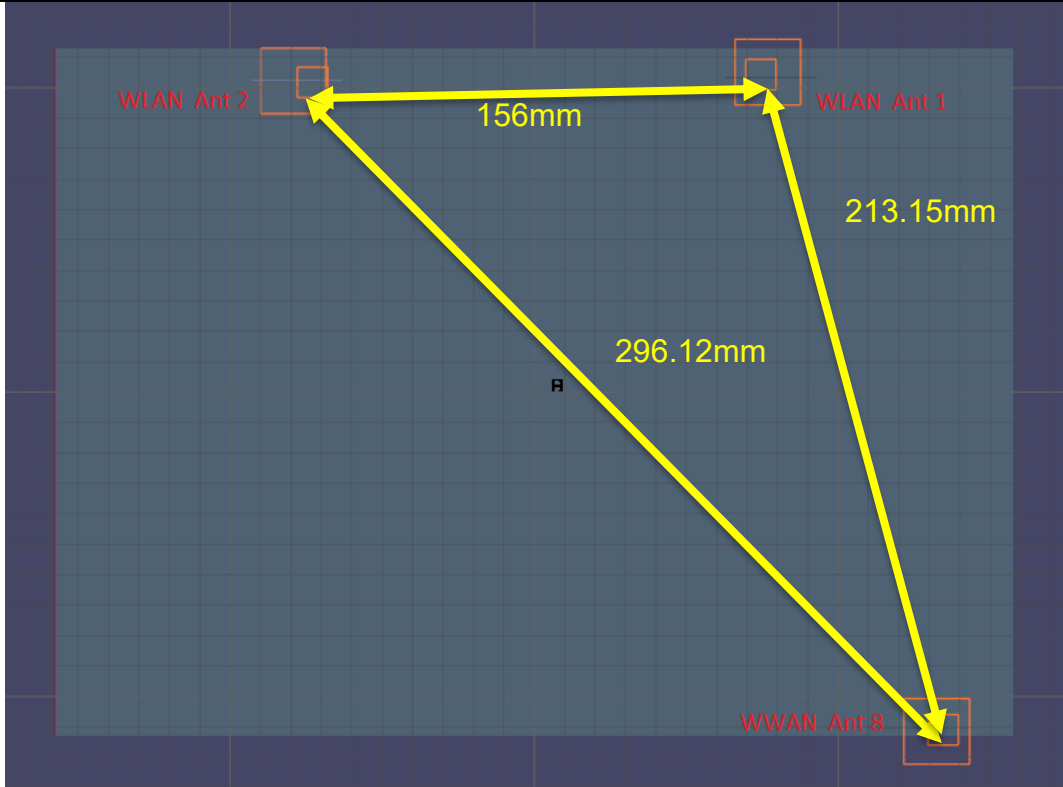


Unless otherwise stated the results shown in this test report refer only to the sample(s) tested and such sample(s) are retained for 90 days only.

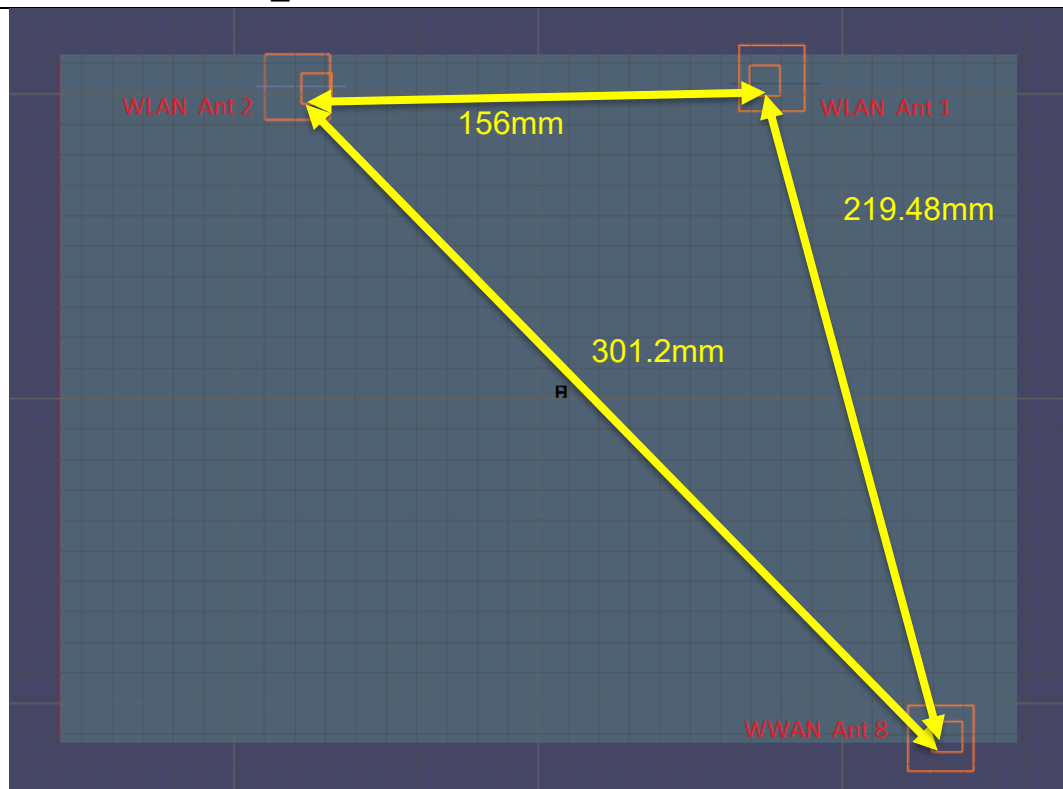
除非另有說明，此報告結果僅對測試之樣品負責，同時此樣品僅保留90天。本報告未經本公司書面許可，不可部份複製。

This document is issued by the Company subject to its General Conditions of Service printed overleaf, available on request or accessible at <http://www.sgs.com.tw/Terms-and-Conditions> and for electronic format documents, subject to Terms and Conditions for Electronic Documents at <http://www.sgs.com.tw/Terms-and-Conditions>. Attention is drawn to the limitation of liability, indemnification and jurisdiction issues defined therein. Any holder of this document is advised that information contained hereon reflects the Company's findings at the time of its intervention only and within the limits of Client's instructions, if any. The Company's sole responsibility is to its Client and this document does not exonerate parties to a transaction from exercising all their rights and obligations under the transaction documents. This document cannot be reproduced except in full, without prior written approval of the Company. Any unauthorized alteration, forgery or falsification of the content or appearance of this document is unlawful and offenders may be prosecuted to the fullest extent of the law.

LTE Band 48 Ant 8 + WLAN2.4G Ant2 + WLAN2.4G Ant1



NR n2_Ant 8 + WLAN2.4G Ant2 + WLAN2.4G Ant1

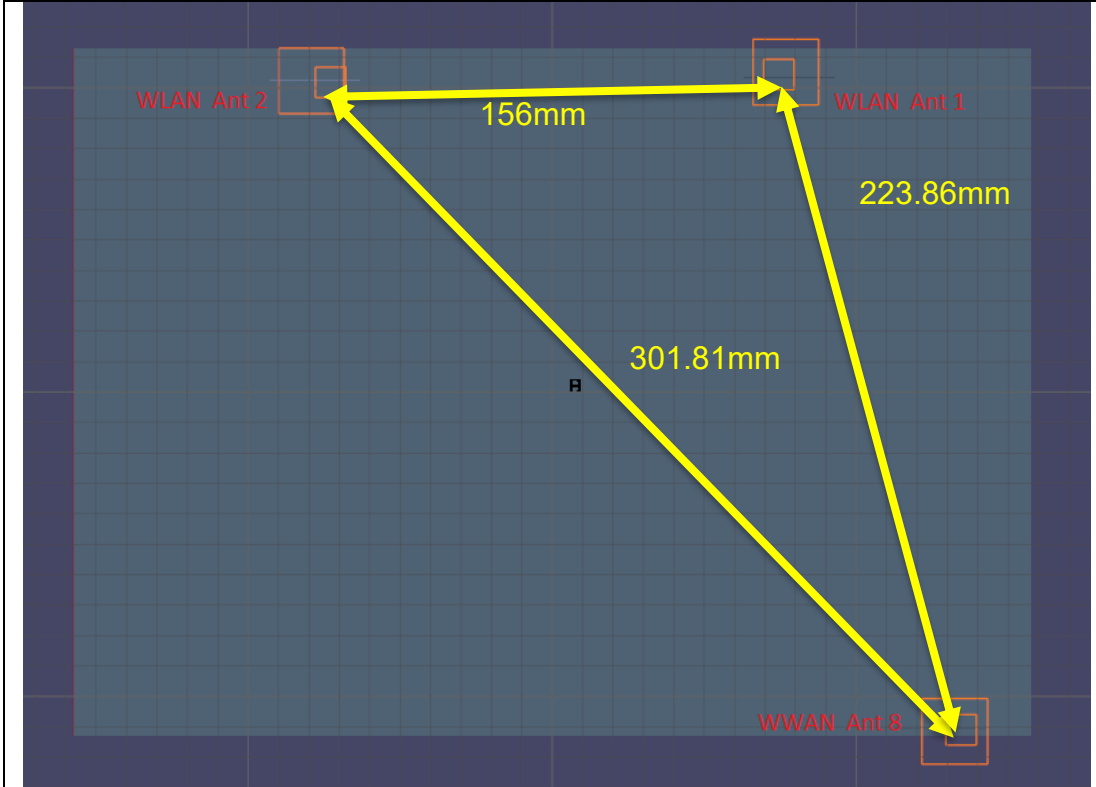


Unless otherwise stated the results shown in this test report refer only to the sample(s) tested and such sample(s) are retained for 90 days only.

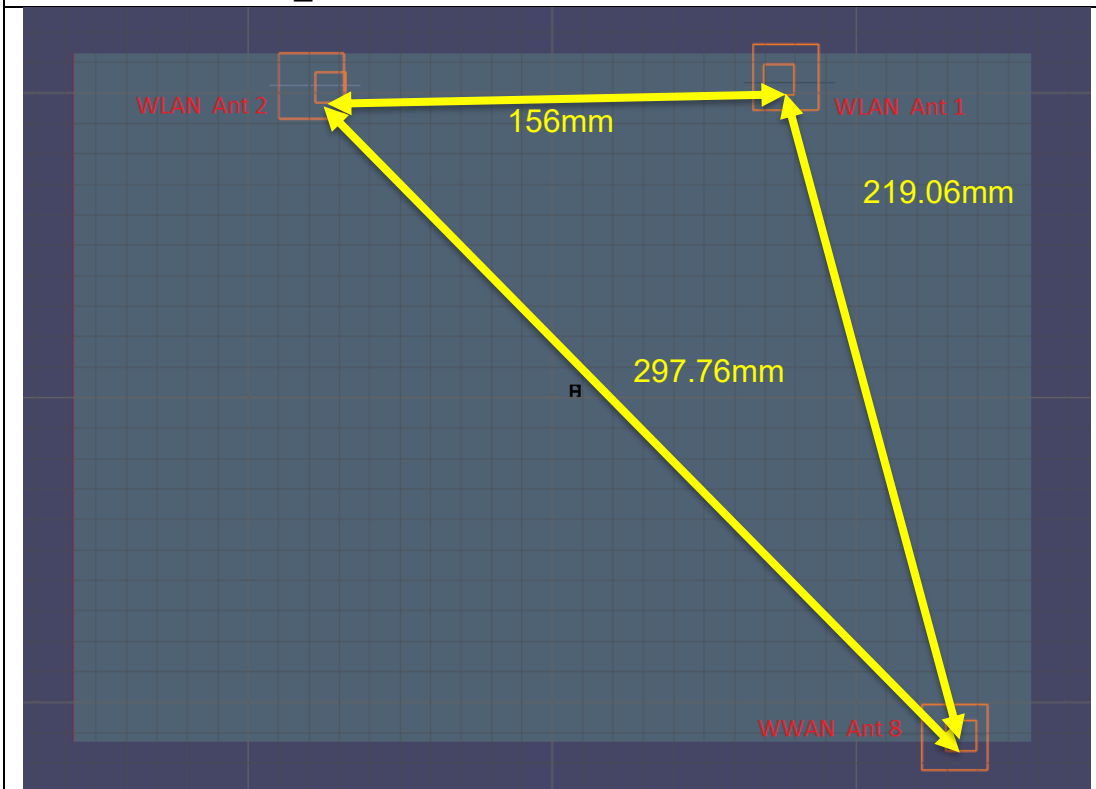
除非另有說明，此報告結果僅對測試之樣品負責，同時此樣品僅保留90天。本報告未經本公司書面許可，不可部份複製。

This document is issued by the Company subject to its General Conditions of Service printed overleaf, available on request or accessible at <http://www.sgs.com.tw/Terms-and-Conditions> and for electronic format documents, subject to Terms and Conditions for Electronic Documents at <http://www.sgs.com.tw/Terms-and-Conditions>. Attention is drawn to the limitation of liability, indemnification and jurisdiction issues defined therein. Any holder of this document is advised that information contained hereon reflects the Company's findings at the time of its intervention only and within the limits of Client's instructions, if any. The Company's sole responsibility is to its Client and this document does not exonerate parties to a transaction from exercising all their rights and obligations under the transaction documents. This document cannot be reproduced except in full, without prior written approval of the Company. Any unauthorized alteration, forgery or falsification of the content or appearance of this document is unlawful and offenders may be prosecuted to the fullest extent of the law.

NR n66_Ant 8 + WLAN2.4G Ant2 + WLAN2.4G Ant1



NR n41_Ant 8 + WLAN2.4G Ant2 + WLAN2.4G Ant1

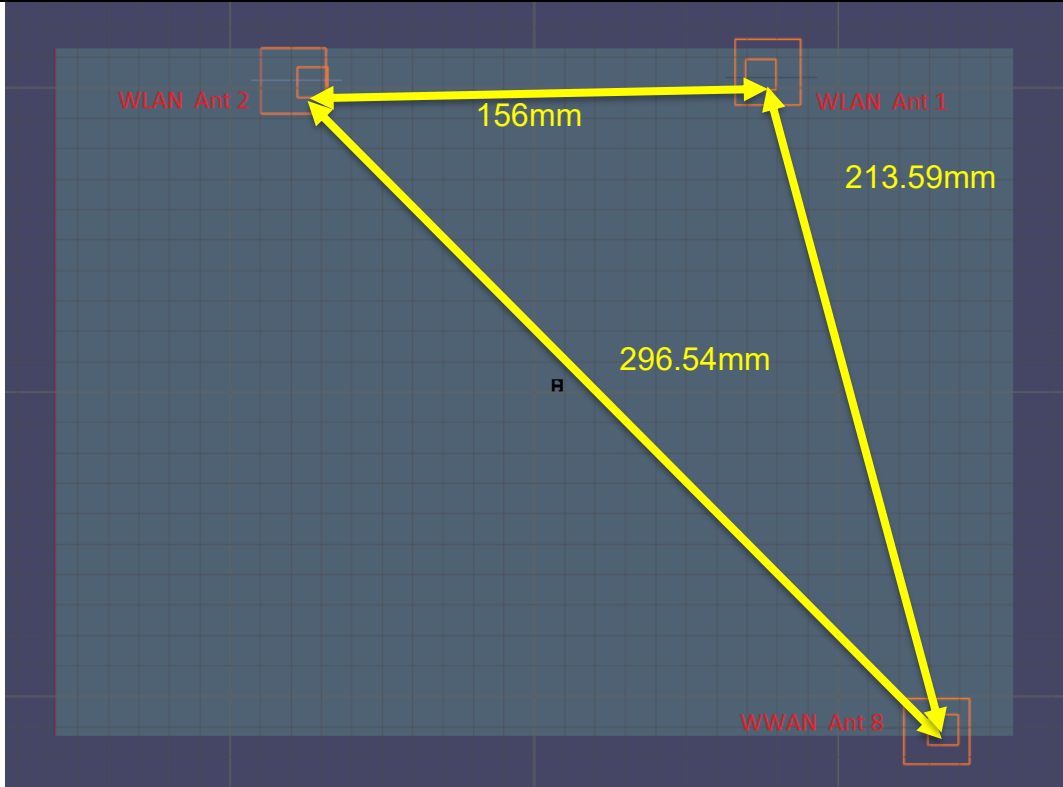


Unless otherwise stated the results shown in this test report refer only to the sample(s) tested and such sample(s) are retained for 90 days only.

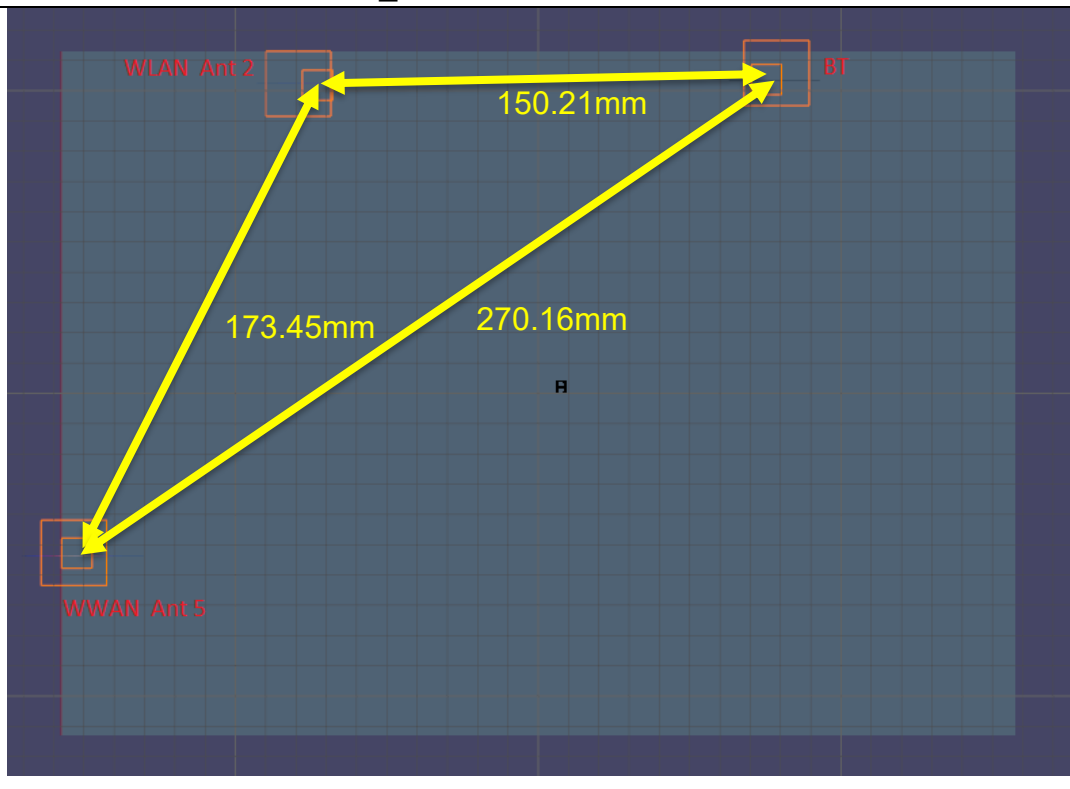
除非另有說明，此報告結果僅對測試之樣品負責，同時此樣品僅保留90天。本報告未經本公司書面許可，不可部份複製。

This document is issued by the Company subject to its General Conditions of Service printed overleaf, available on request or accessible at <http://www.sgs.com.tw/Terms-and-Conditions> and for electronic format documents, subject to Terms and Conditions for Electronic Documents at <http://www.sgs.com.tw/Terms-and-Conditions>. Attention is drawn to the limitation of liability, indemnification and jurisdiction issues defined therein. Any holder of this document is advised that information contained hereon reflects the Company's findings at the time of its intervention only and within the limits of Client's instructions, if any. The Company's sole responsibility is to its Client and this document does not exonerate parties to a transaction from exercising all their rights and obligations under the transaction documents. This document cannot be reproduced except in full, without prior written approval of the Company. Any unauthorized alteration, forgery or falsification of the content or appearance of this document is unlawful and offenders may be prosecuted to the fullest extent of the law.

NR n77_Ant 8 + WLAN2.4G Ant2 + WLAN2.4G Ant1



LTE Band 41_Ant 5 + WLAN2.4G Ant2 + BT Ant1



Unless otherwise stated the results shown in this test report refer only to the sample(s) tested and such sample(s) are retained for 90 days only.

除非另有說明，此報告結果僅對測試之樣品負責，同時此樣品僅保留90天。本報告未經本公司書面許可，不可部份複製。

This document is issued by the Company subject to its General Conditions of Service printed overleaf, available on request or accessible at <http://www.sgs.com.tw/Terms-and-Conditions> and for electronic format documents, subject to Terms and Conditions for Electronic Documents at <http://www.sgs.com.tw/Terms-and-Conditions>. Attention is drawn to the limitation of liability, indemnification and jurisdiction issues defined therein. Any holder of this document is advised that information contained hereon reflects the Company's findings at the time of its intervention only and within the limits of Client's instructions, if any. The Company's sole responsibility is to its Client and this document does not exonerate parties to a transaction from exercising all their rights and obligations under the transaction documents. This document cannot be reproduced except in full, without prior written approval of the Company. Any unauthorized alteration, forgery or falsification of the content or appearance of this document is unlawful and offenders may be prosecuted to the fullest extent of the law.

SGS Taiwan Ltd.

No.134,Wu Kung Road, New Taipei Industrial Park, Wuku District, New Taipei City, Taiwan/新北市五股區新北產業園區五工路 134 號

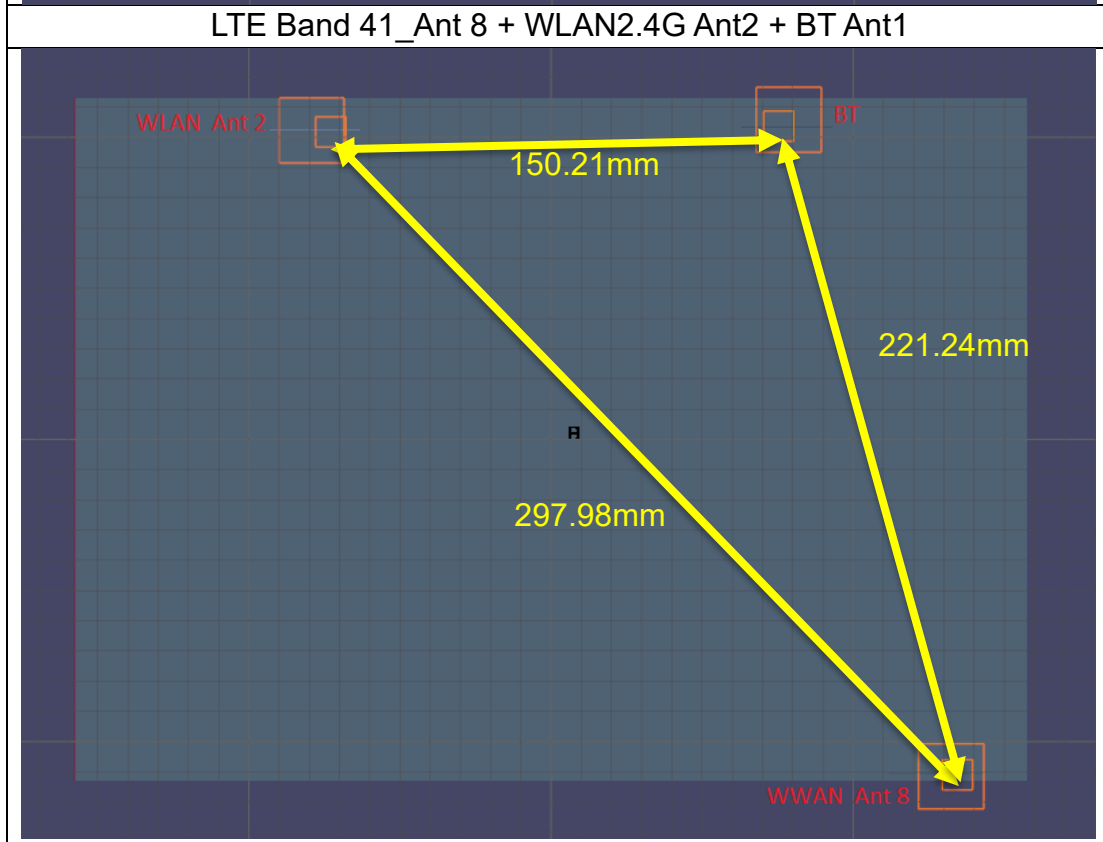
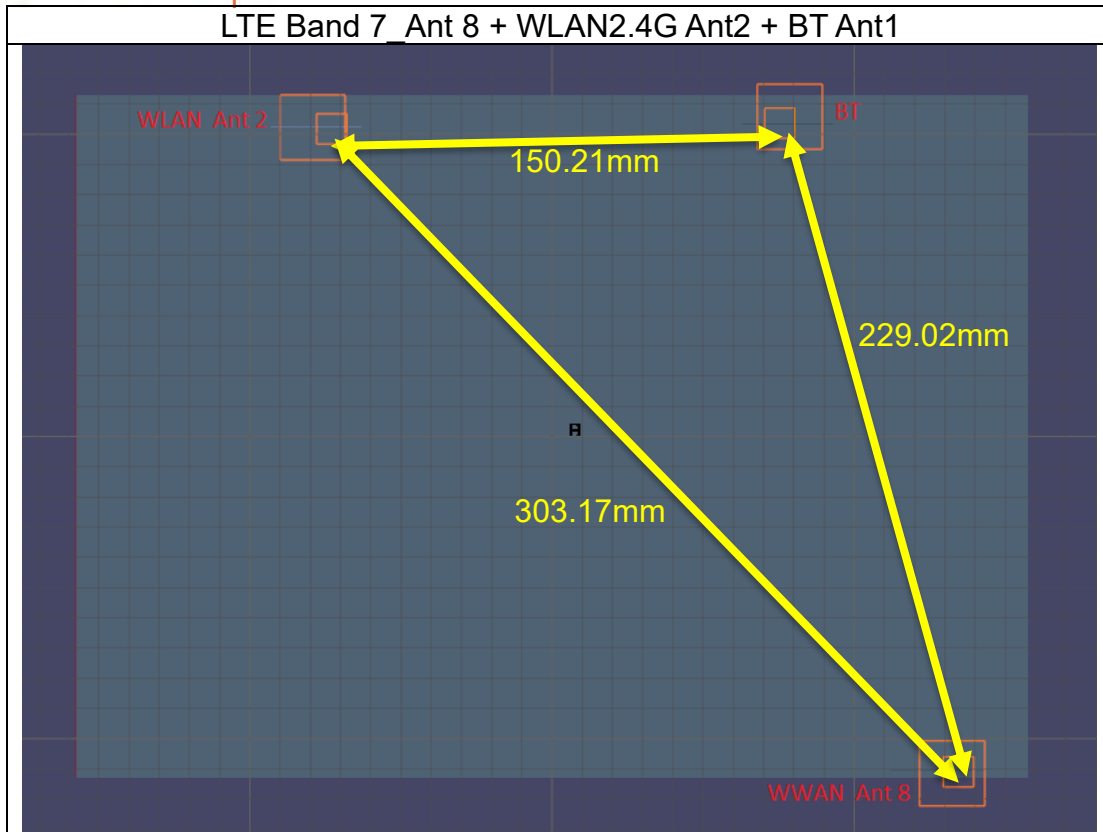
台灣檢驗科技股份有限公司

t (886-2) 2299-3279

f (886-2) 2298-0488

www.sgs.com.tw

Member of SGS Group

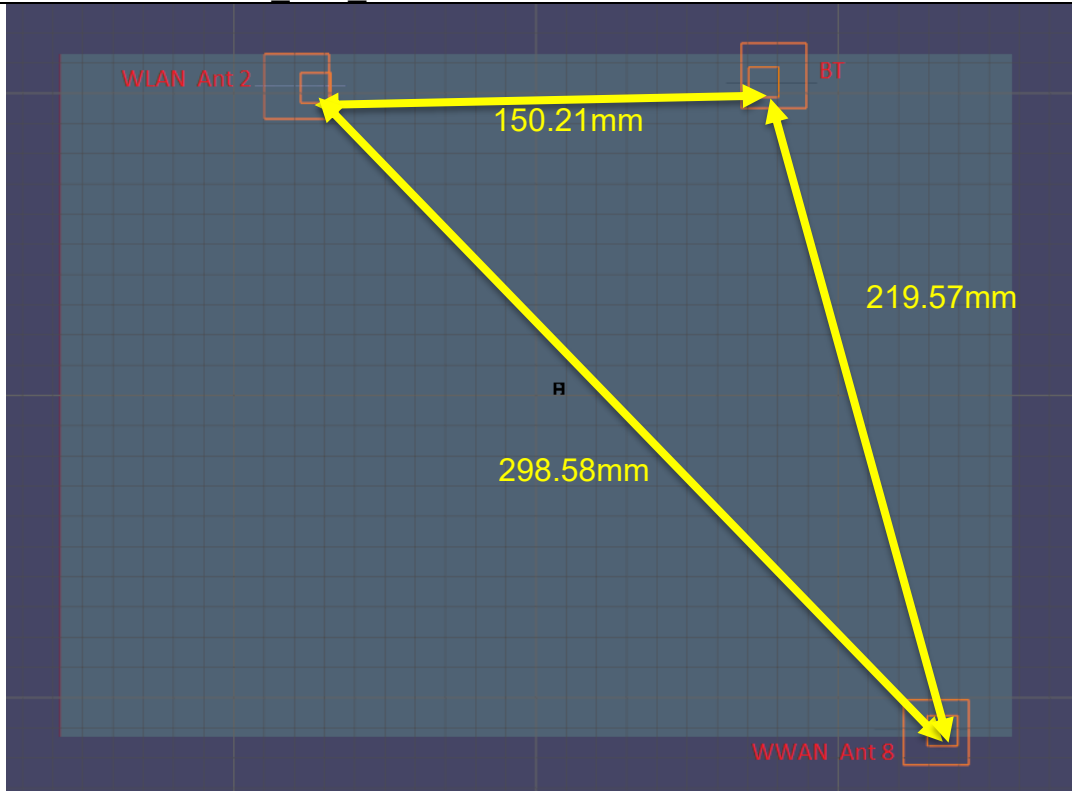


Unless otherwise stated the results shown in this test report refer only to the sample(s) tested and such sample(s) are retained for 90 days only.

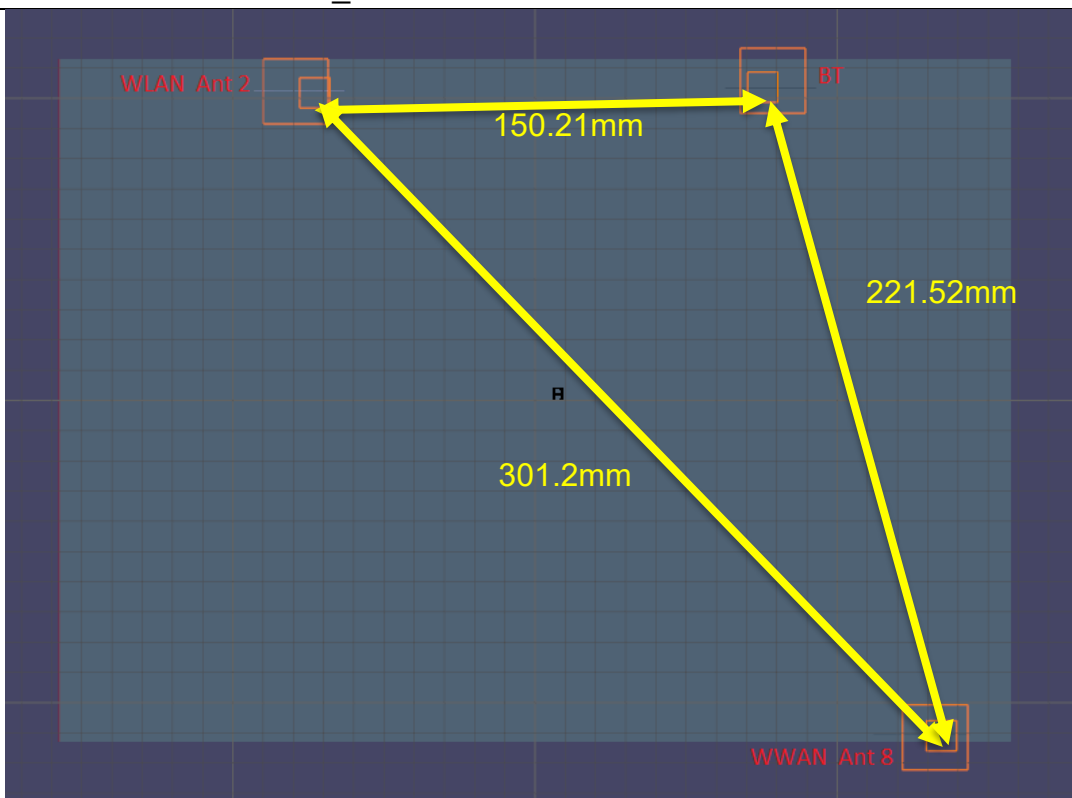
除非另有說明，此報告結果僅對測試之樣品負責，同時此樣品僅保留90天。本報告未經本公司書面許可，不可部份複製。

This document is issued by the Company subject to its General Conditions of Service printed overleaf, available on request or accessible at <http://www.sgs.com.tw/Terms-and-Conditions> and for electronic format documents, subject to Terms and Conditions for Electronic Documents at <http://www.sgs.com.tw/Terms-and-Conditions>. Attention is drawn to the limitation of liability, indemnification and jurisdiction issues defined therein. Any holder of this document is advised that information contained herein reflects the Company's findings at the time of its intervention only and within the limits of Client's instructions, if any. The Company's sole responsibility is to its Client and this document does not exonerate parties to a transaction from exercising all their rights and obligations under the transaction documents. This document cannot be reproduced except in full, without prior written approval of the Company. Any unauthorized alteration, forgery or falsification of the content or appearance of this document is unlawful and offenders may be prosecuted to the fullest extent of the law.

CA 41C_Ant 8 + WLAN2.4G Ant2 + BT Ant1



NR n2_Ant 8 + WLAN2.4G Ant2 + BT Ant1

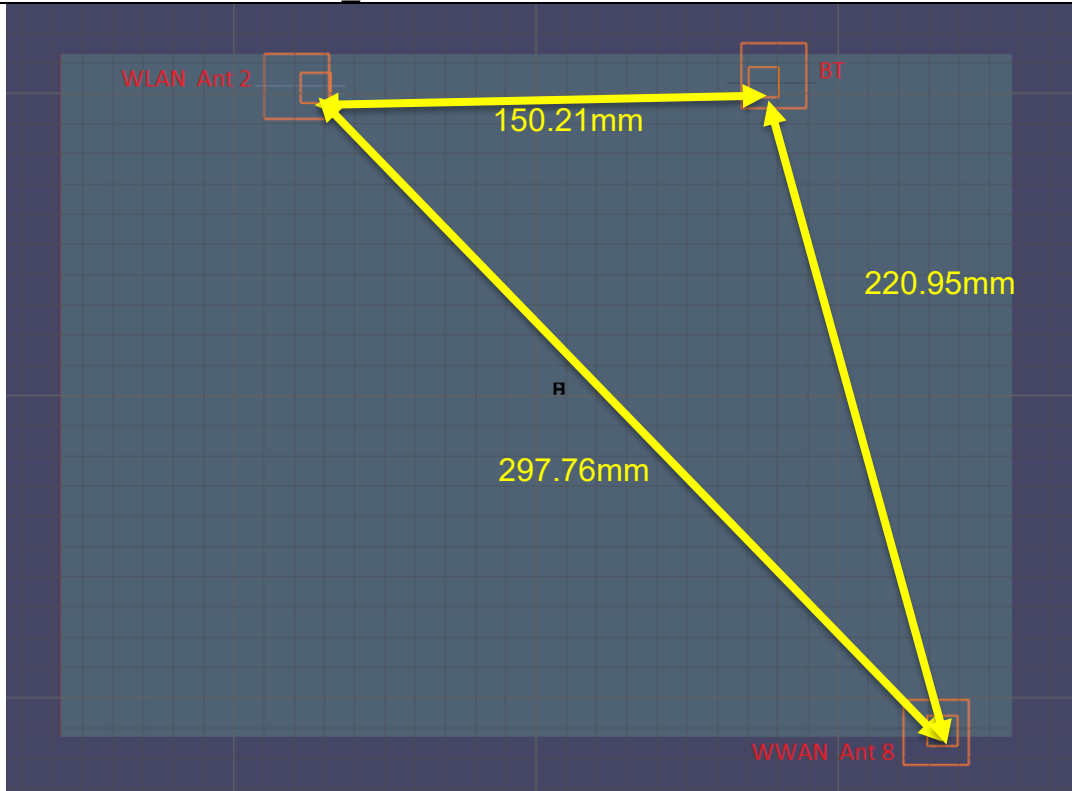


Unless otherwise stated the results shown in this test report refer only to the sample(s) tested and such sample(s) are retained for 90 days only.

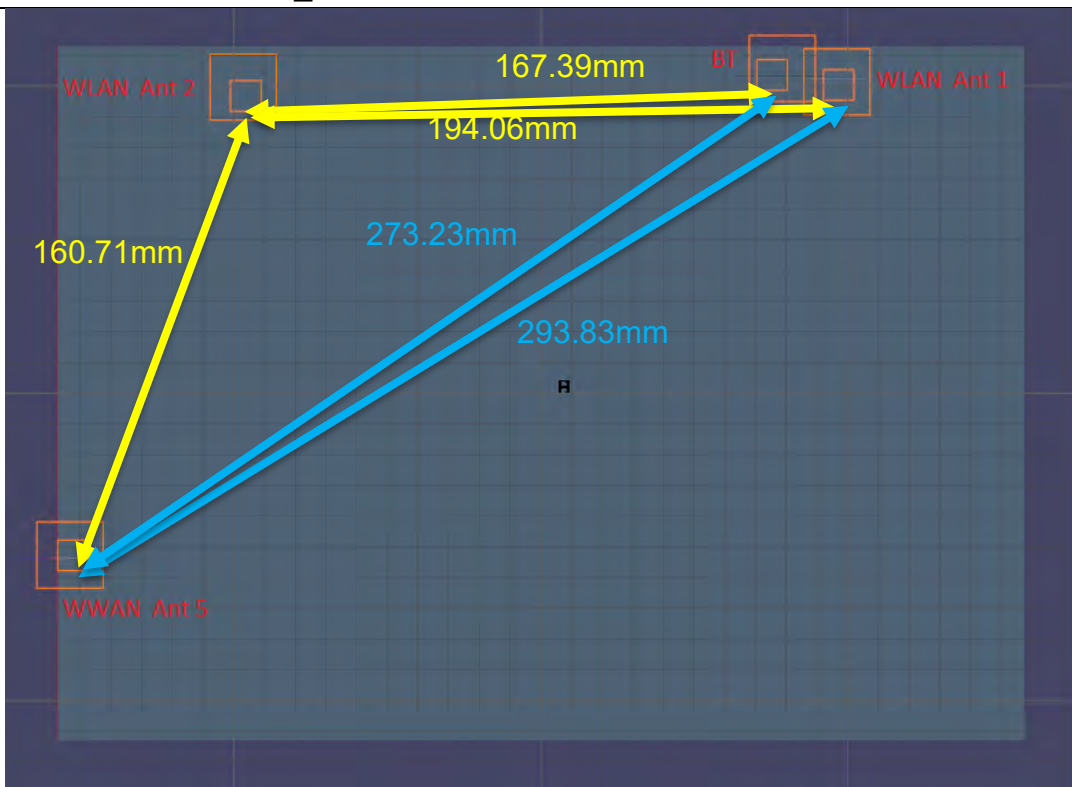
除非另有說明，此報告結果僅對測試之樣品負責，同時此樣品僅保留90天。本報告未經本公司書面許可，不可部份複製。

This document is issued by the Company subject to its General Conditions of Service printed overleaf, available on request or accessible at <http://www.sgs.com.tw/Terms-and-Conditions> and for electronic format documents, subject to Terms and Conditions for Electronic Documents at <http://www.sgs.com.tw/Terms-and-Conditions>. Attention is drawn to the limitation of liability, indemnification and jurisdiction issues defined therein. Any holder of this document is advised that information contained hereon reflects the Company's findings at the time of its intervention only and within the limits of Client's instructions, if any. The Company's sole responsibility is to its Client and this document does not exonerate parties to a transaction from exercising all their rights and obligations under the transaction documents. This document cannot be reproduced except in full, without prior written approval of the Company. Any unauthorized alteration, forgery or falsification of the content or appearance of this document is unlawful and offenders may be prosecuted to the fullest extent of the law.

NR n41 Ant 8 + WLAN2.4G Ant2 + BT Ant1



WCDMA Band II_Ant 5 + WLAN5G Ant2 + WLAN5G Ant1 + BT Ant1

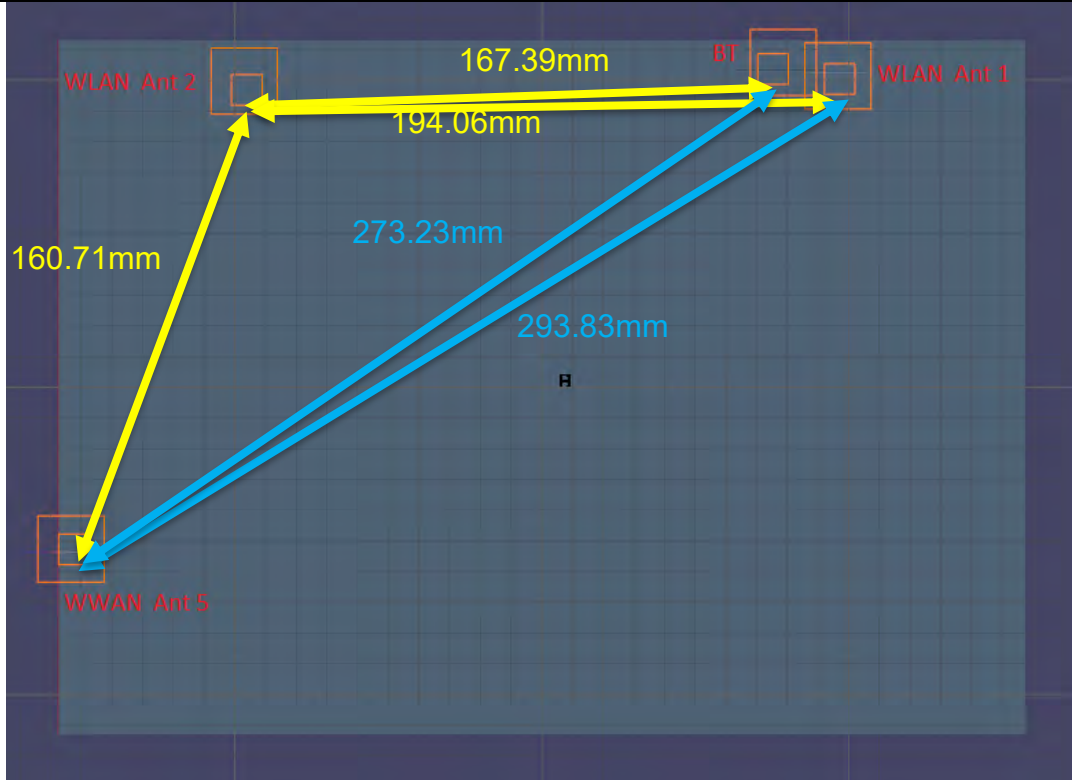


Unless otherwise stated the results shown in this test report refer only to the sample(s) tested and such sample(s) are retained for 90 days only.

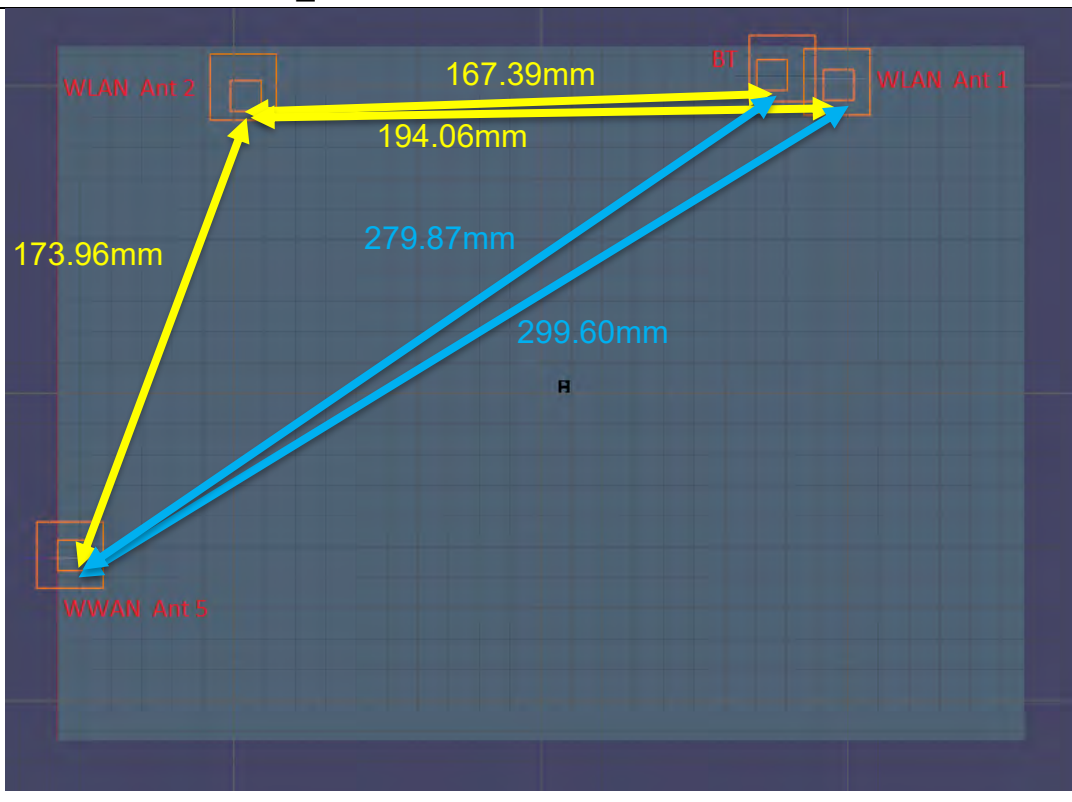
除非另有說明，此報告結果僅對測試之樣品負責，同時此樣品僅保留90天。本報告未經本公司書面許可，不可部份複製。

This document is issued by the Company subject to its General Conditions of Service printed overleaf, available on request or accessible at <http://www.sgs.com.tw/Terms-and-Conditions> and for electronic format documents, subject to Terms and Conditions for Electronic Documents at <http://www.sgs.com.tw/Terms-and-Conditions>. Attention is drawn to the limitation of liability, indemnification and jurisdiction issues defined therein. Any holder of this document is advised that information contained hereon reflects the Company's findings at the time of its intervention only and within the limits of Client's instructions, if any. The Company's sole responsibility is to its Client and this document does not exonerate parties to a transaction from exercising all their rights and obligations under the transaction documents. This document cannot be reproduced except in full, without prior written approval of the Company. Any unauthorized alteration, forgery or falsification of the content or appearance of this document is unlawful and offenders may be prosecuted to the fullest extent of the law.

WCDMA Band IV_Ant 5 + WLAN5G Ant2 + WLAN5G Ant1 + BT Ant1



WCDMA Band V_Ant 5 + WLAN5G Ant2 + WLAN5G Ant1 + BT Ant1

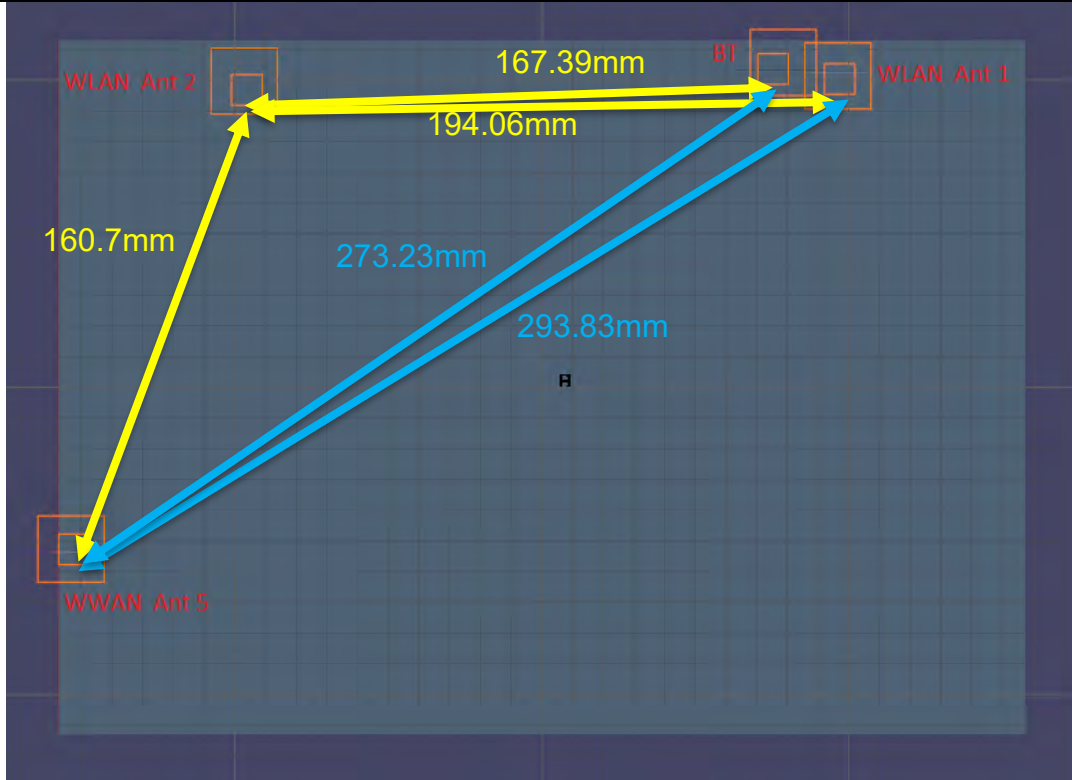


Unless otherwise stated the results shown in this test report refer only to the sample(s) tested and such sample(s) are retained for 90 days only.

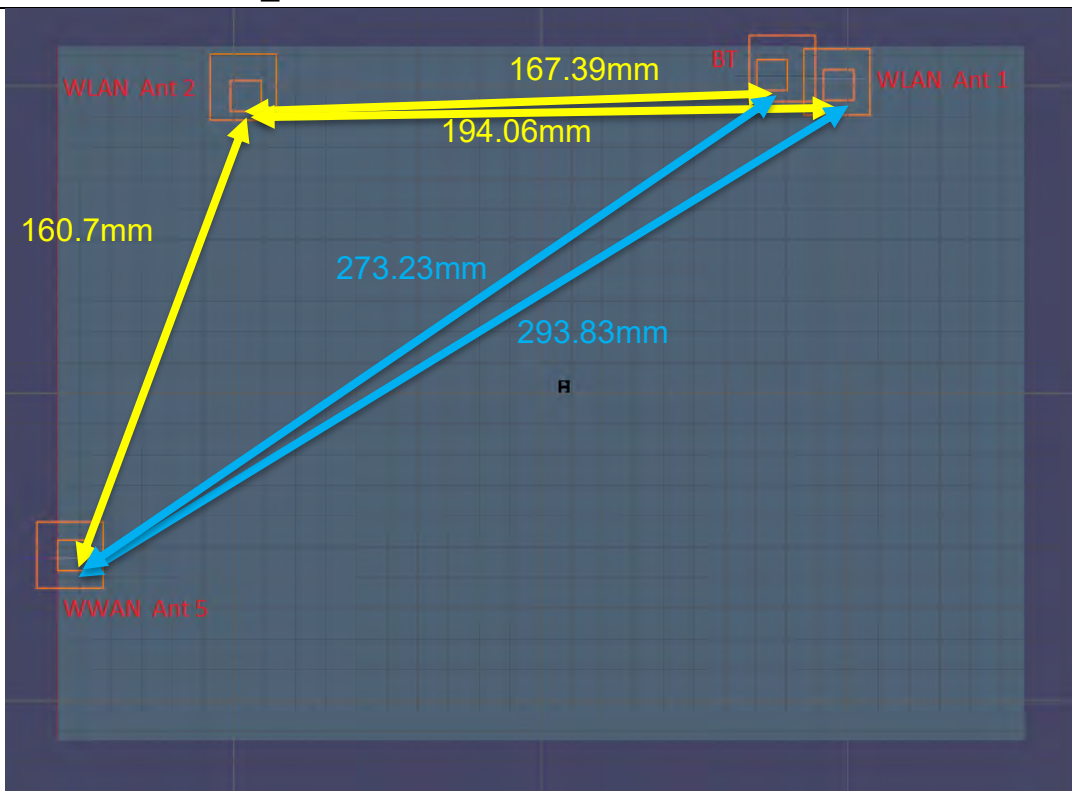
除非另有說明，此報告結果僅對測試之樣品負責，同時此樣品僅保留90天。本報告未經本公司書面許可，不可部份複製。

This document is issued by the Company subject to its General Conditions of Service printed overleaf, available on request or accessible at <http://www.sgs.com.tw/Terms-and-Conditions> and for electronic format documents, subject to Terms and Conditions for Electronic Documents at <http://www.sgs.com.tw/Terms-and-Conditions>. Attention is drawn to the limitation of liability, indemnification and jurisdiction issues defined therein. Any holder of this document is advised that information contained hereon reflects the Company's findings at the time of its intervention only and within the limits of Client's instructions, if any. The Company's sole responsibility is to its Client and this document does not exonerate parties to a transaction from exercising all their rights and obligations under the transaction documents. This document cannot be reproduced except in full, without prior written approval of the Company. Any unauthorized alteration, forgery or falsification of the content or appearance of this document is unlawful and offenders may be prosecuted to the fullest extent of the law.

LTE Band 2_Ant 5 + WLAN5G Ant2 + WLAN5G Ant1 + BT Ant1



LTE Band 4_Ant 5 + WLAN5G Ant2 + WLAN5G Ant1 + BT Ant1

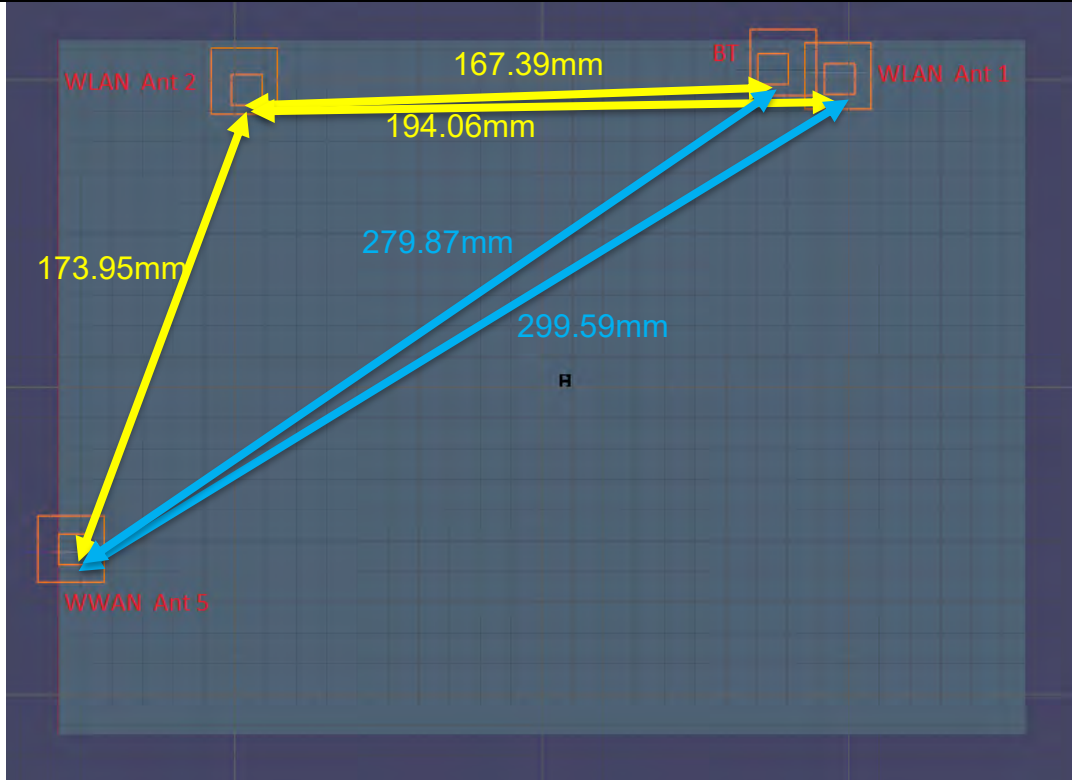


Unless otherwise stated the results shown in this test report refer only to the sample(s) tested and such sample(s) are retained for 90 days only.

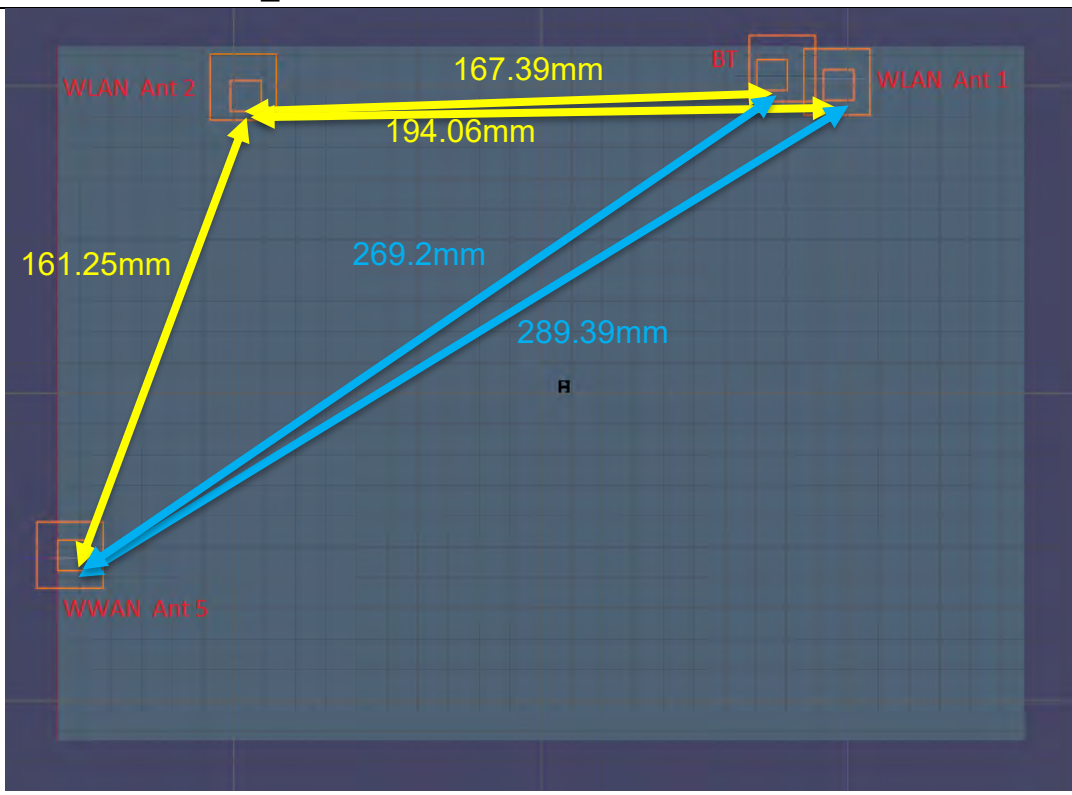
除非另有說明，此報告結果僅對測試之樣品負責，同時此樣品僅保留90天。本報告未經本公司書面許可，不可部份複製。

This document is issued by the Company subject to its General Conditions of Service printed overleaf, available on request or accessible at <http://www.sgs.com.tw/Terms-and-Conditions> and for electronic format documents, subject to Terms and Conditions for Electronic Documents at <http://www.sgs.com.tw/Terms-and-Conditions>. Attention is drawn to the limitation of liability, indemnification and jurisdiction issues defined therein. Any holder of this document is advised that information contained hereon reflects the Company's findings at the time of its intervention only and within the limits of Client's instructions, if any. The Company's sole responsibility is to its Client and this document does not exonerate parties to a transaction from exercising all their rights and obligations under the transaction documents. This document cannot be reproduced except in full, without prior written approval of the Company. Any unauthorized alteration, forgery or falsification of the content or appearance of this document is unlawful and offenders may be prosecuted to the fullest extent of the law.

LTE Band 5_Ant 5 + WLAN5G Ant2 + WLAN5G Ant1 + BT Ant1



LTE Band 7_Ant 5 + WLAN5G Ant2 + WLAN5G Ant1 + BT Ant1

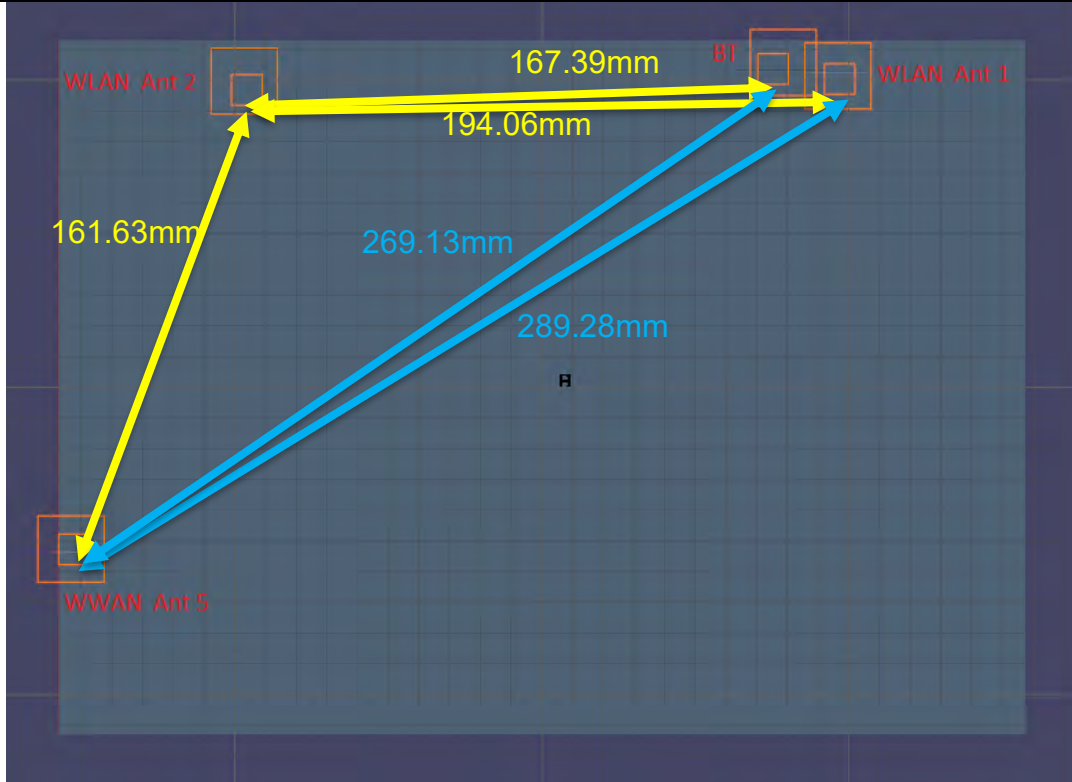


Unless otherwise stated the results shown in this test report refer only to the sample(s) tested and such sample(s) are retained for 90 days only.

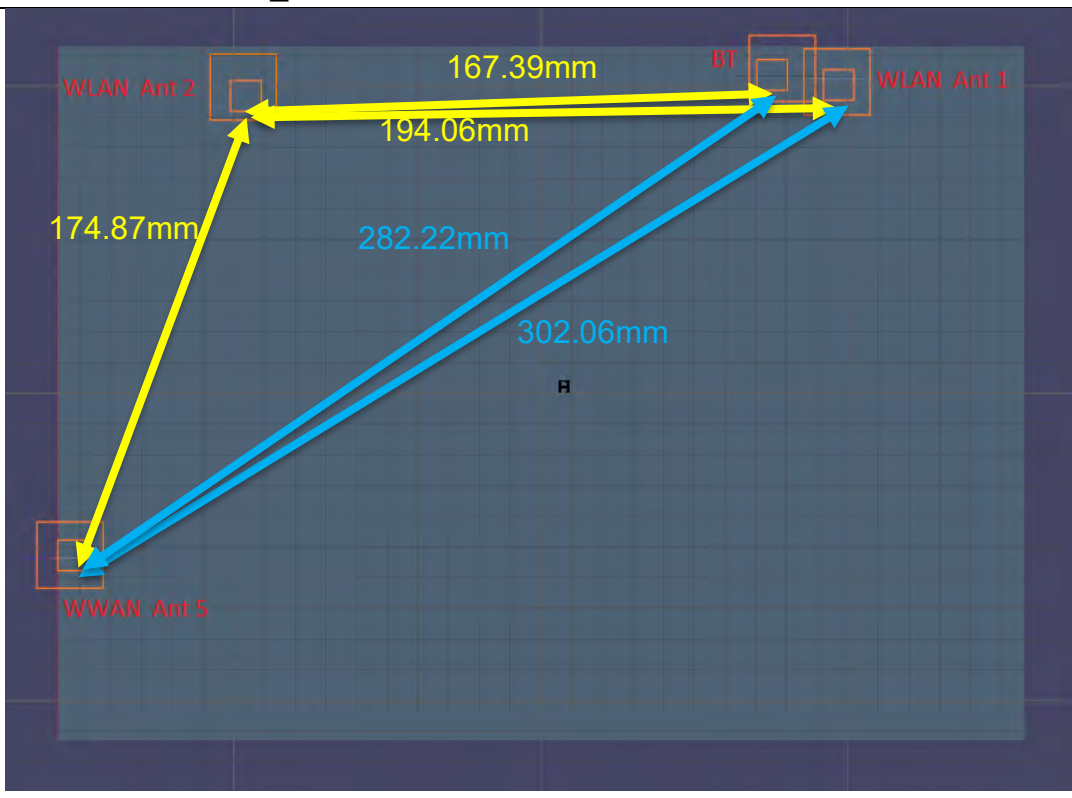
除非另有說明，此報告結果僅對測試之樣品負責，同時此樣品僅保留90天。本報告未經本公司書面許可，不可部份複製。

This document is issued by the Company subject to its General Conditions of Service printed overleaf, available on request or accessible at <http://www.sgs.com.tw/Terms-and-Conditions> and for electronic format documents, subject to Terms and Conditions for Electronic Documents at <http://www.sgs.com.tw/Terms-and-Conditions>. Attention is drawn to the limitation of liability, indemnification and jurisdiction issues defined therein. Any holder of this document is advised that information contained hereon reflects the Company's findings at the time of its intervention only and within the limits of Client's instructions, if any. The Company's sole responsibility is to its Client and this document does not exonerate parties to a transaction from exercising all their rights and obligations under the transaction documents. This document cannot be reproduced except in full, without prior written approval of the Company. Any unauthorized alteration, forgery or falsification of the content or appearance of this document is unlawful and offenders may be prosecuted to the fullest extent of the law.

CA_7C_Ant 5 + WLAN5G Ant2 + WLAN5G Ant1 + BT Ant1



LTE Band 12_Ant 5 + WLAN5G Ant2 + WLAN5G Ant1 + BT Ant1

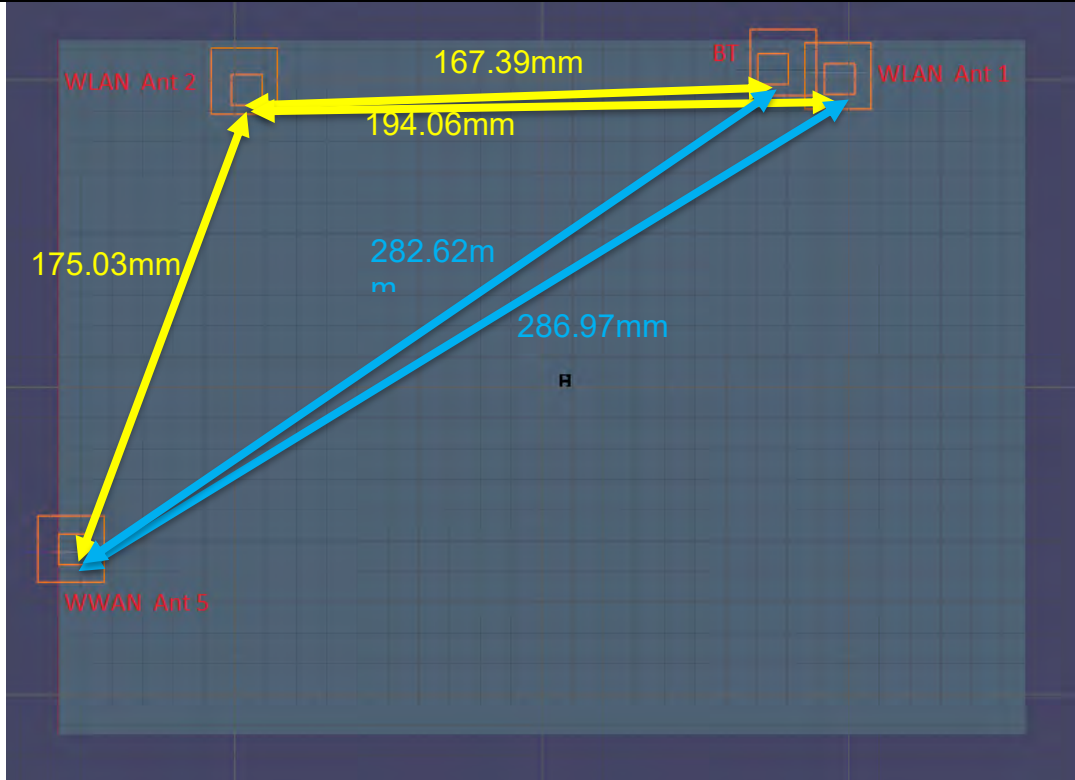


Unless otherwise stated the results shown in this test report refer only to the sample(s) tested and such sample(s) are retained for 90 days only.

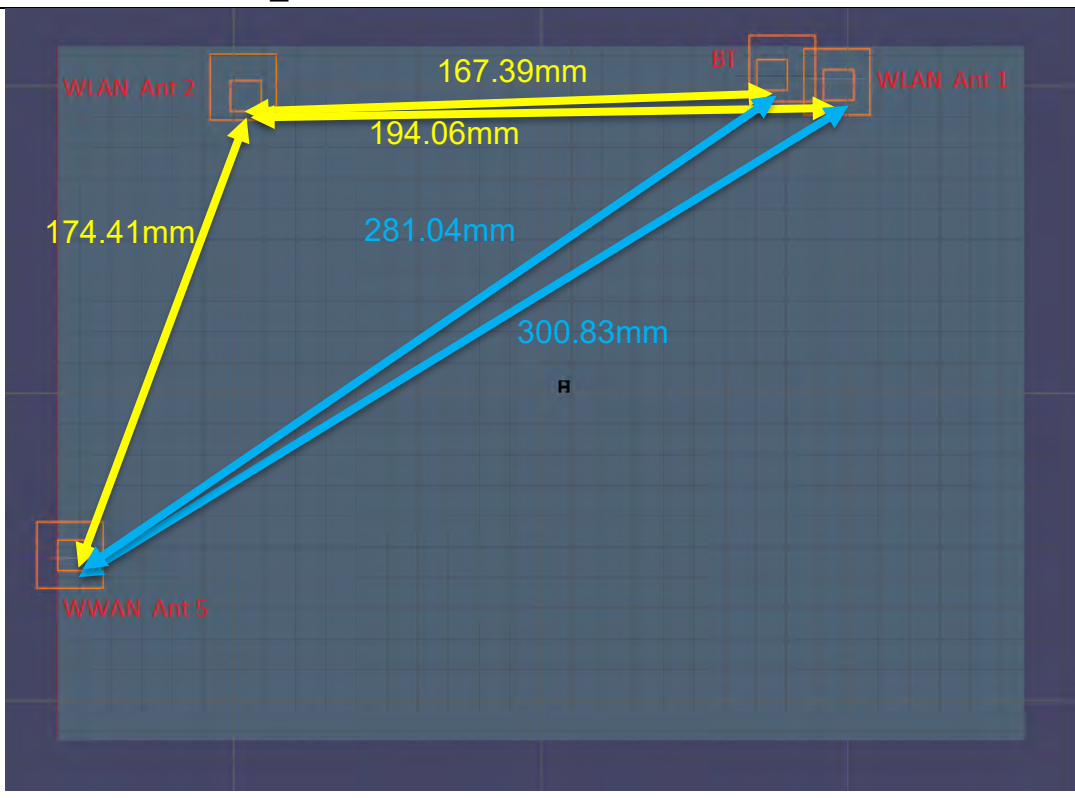
除非另有說明，此報告結果僅對測試之樣品負責，同時此樣品僅保留90天。本報告未經本公司書面許可，不可部份複製。

This document is issued by the Company subject to its General Conditions of Service printed overleaf, available on request or accessible at <http://www.sgs.com.tw/Terms-and-Conditions> and for electronic format documents, subject to Terms and Conditions for Electronic Documents at <http://www.sgs.com.tw/Terms-and-Conditions>. Attention is drawn to the limitation of liability, indemnification and jurisdiction issues defined therein. Any holder of this document is advised that information contained hereon reflects the Company's findings at the time of its intervention only and within the limits of Client's instructions, if any. The Company's sole responsibility is to its Client and this document does not exonerate parties to a transaction from exercising all their rights and obligations under the transaction documents. This document cannot be reproduced except in full, without prior written approval of the Company. Any unauthorized alteration, forgery or falsification of the content or appearance of this document is unlawful and offenders may be prosecuted to the fullest extent of the law.

LTE Band 13_Ant 5 + WLAN5G Ant2 + WLAN5G Ant1 + BT Ant1



LTE Band 14_Ant 5 + WLAN5G Ant2 + WLAN5G Ant1 + BT Ant1

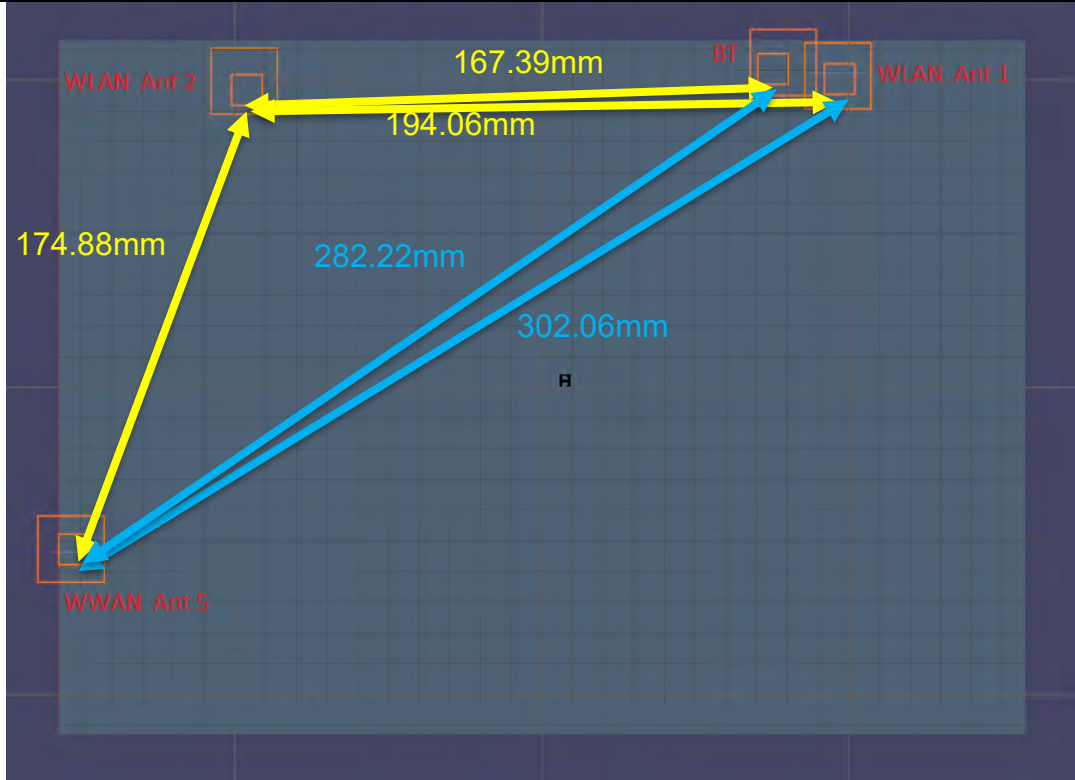


Unless otherwise stated the results shown in this test report refer only to the sample(s) tested and such sample(s) are retained for 90 days only.

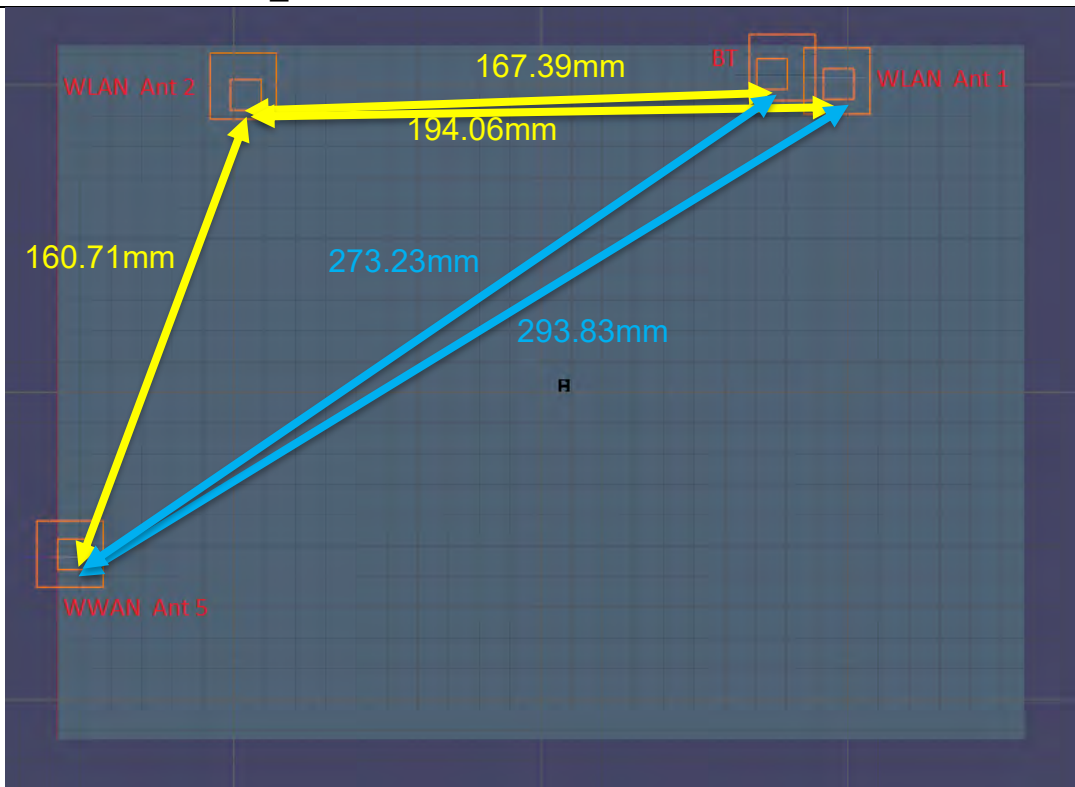
除非另有說明，此報告結果僅對測試之樣品負責，同時此樣品僅保留90天。本報告未經本公司書面許可，不可部份複製。

This document is issued by the Company subject to its General Conditions of Service printed overleaf, available on request or accessible at <http://www.sgs.com.tw/Terms-and-Conditions> and for electronic format documents, subject to Terms and Conditions for Electronic Documents at <http://www.sgs.com.tw/Terms-and-Conditions>. Attention is drawn to the limitation of liability, indemnification and jurisdiction issues defined therein. Any holder of this document is advised that information contained herein reflects the Company's findings at the time of its intervention only and within the limits of Client's instructions, if any. The Company's sole responsibility is to its Client and this document does not exonerate parties to a transaction from exercising all their rights and obligations under the transaction documents. This document cannot be reproduced except in full, without prior written approval of the Company. Any unauthorized alteration, forgery or falsification of the content or appearance of this document is unlawful and offenders may be prosecuted to the fullest extent of the law.

LTE Band 17_Ant 5 + WLAN5G Ant2 + WLAN5G Ant1 + BT Ant1



LTE Band 25_Ant 5 + WLAN5G Ant2 + WLAN5G Ant1 + BT Ant1

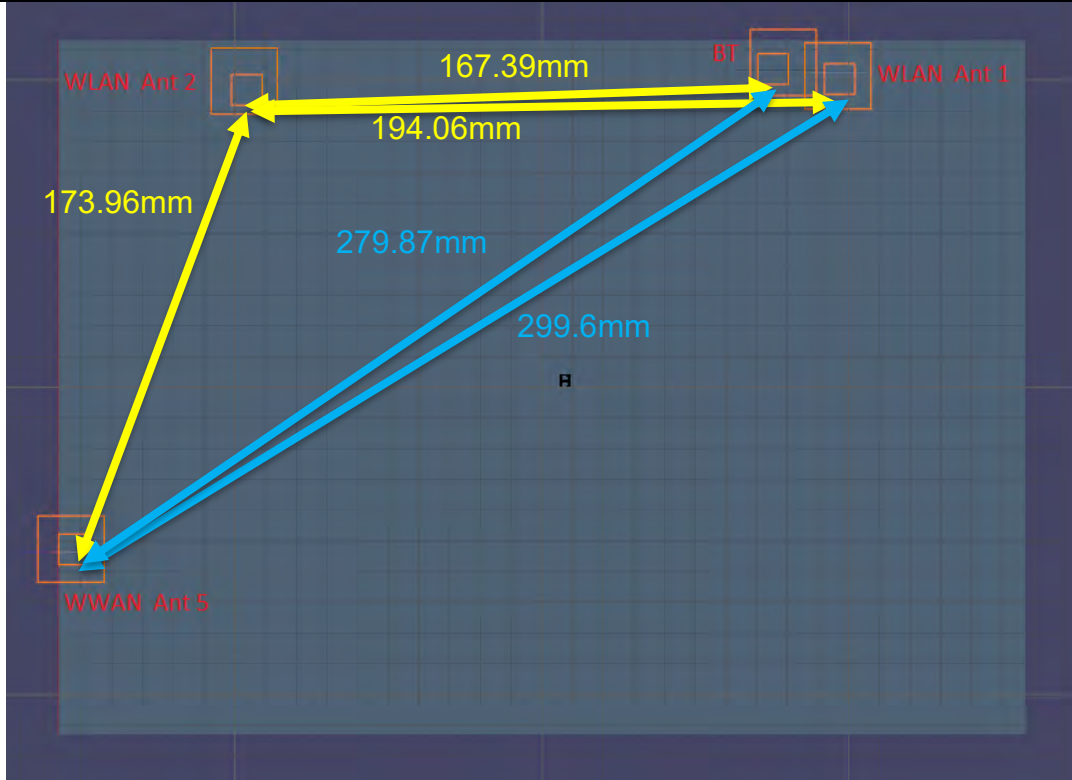


Unless otherwise stated the results shown in this test report refer only to the sample(s) tested and such sample(s) are retained for 90 days only.

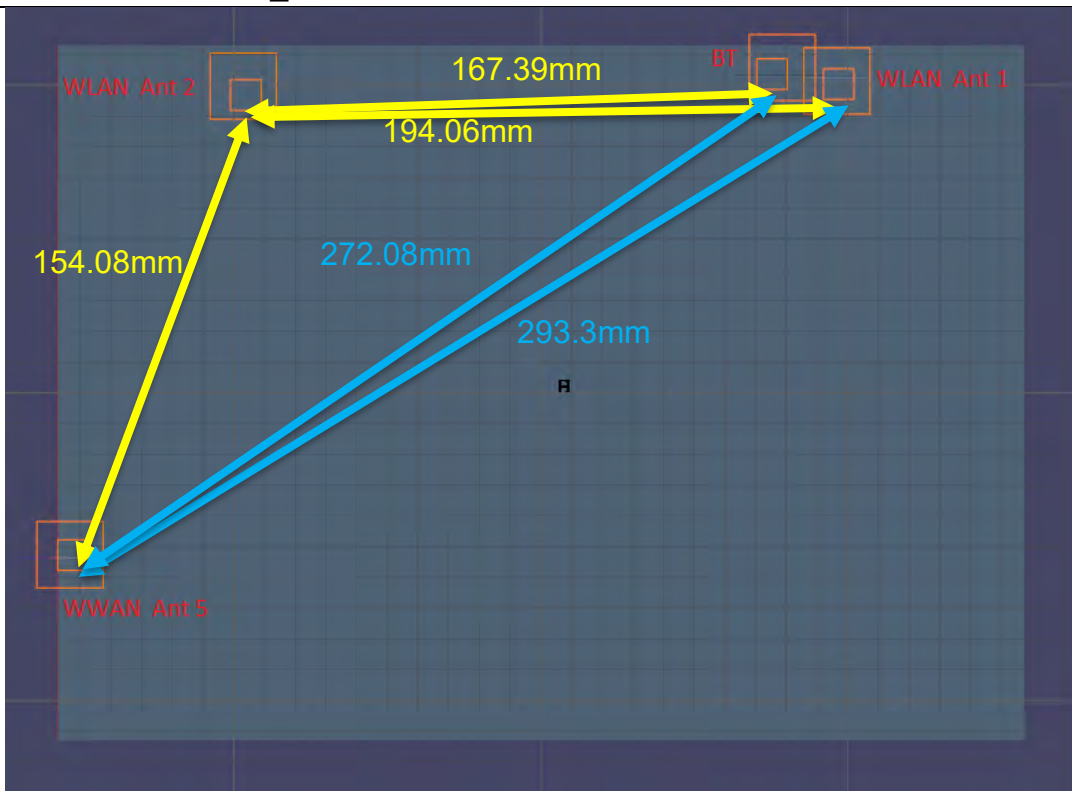
除非另有說明，此報告結果僅對測試之樣品負責，同時此樣品僅保留90天。本報告未經本公司書面許可，不可部份複製。

This document is issued by the Company subject to its General Conditions of Service printed overleaf, available on request or accessible at <http://www.sgs.com.tw/Terms-and-Conditions> and for electronic format documents, subject to Terms and Conditions for Electronic Documents at <http://www.sgs.com.tw/Terms-and-Conditions>. Attention is drawn to the limitation of liability, indemnification and jurisdiction issues defined therein. Any holder of this document is advised that information contained hereon reflects the Company's findings at the time of its intervention only and within the limits of Client's instructions, if any. The Company's sole responsibility is to its Client and this document does not exonerate parties to a transaction from exercising all their rights and obligations under the transaction documents. This document cannot be reproduced except in full, without prior written approval of the Company. Any unauthorized alteration, forgery or falsification of the content or appearance of this document is unlawful and offenders may be prosecuted to the fullest extent of the law.

LTE Band 26 Ant 5 + WLAN5G Ant2 + WLAN5G Ant1 + BT Ant1



LTE Band 30_Ant 5 + WLAN5G Ant2 + WLAN5G Ant1 + BT Ant1

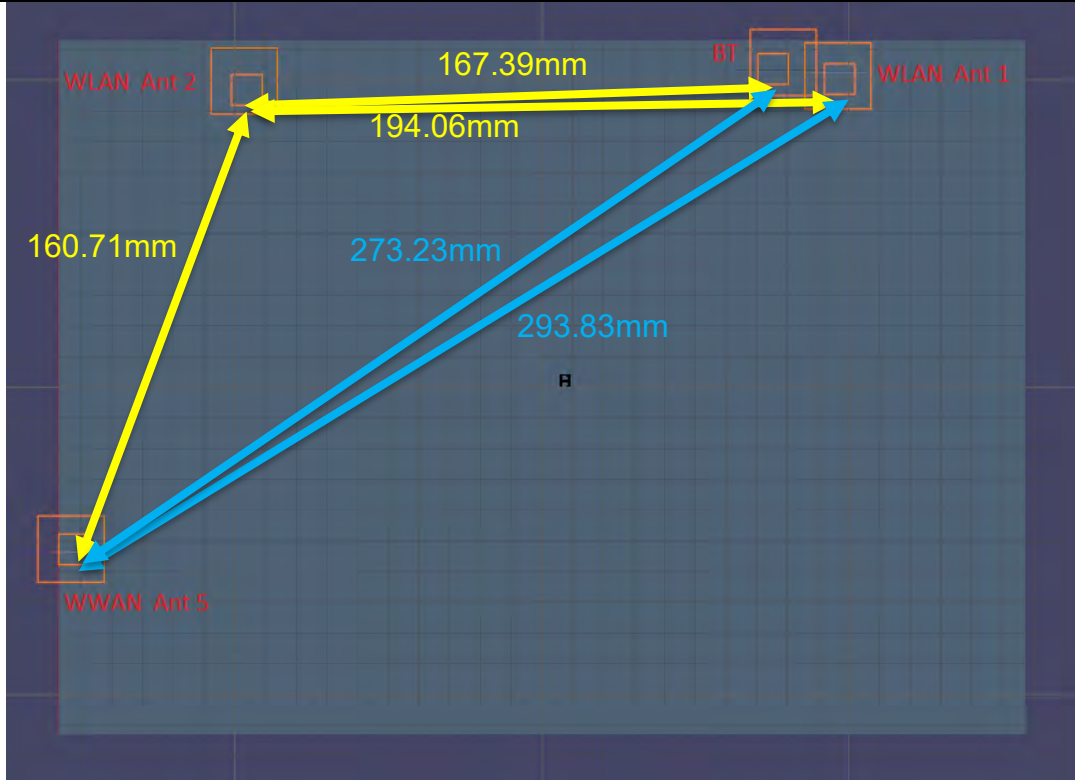


Unless otherwise stated the results shown in this test report refer only to the sample(s) tested and such sample(s) are retained for 90 days only.

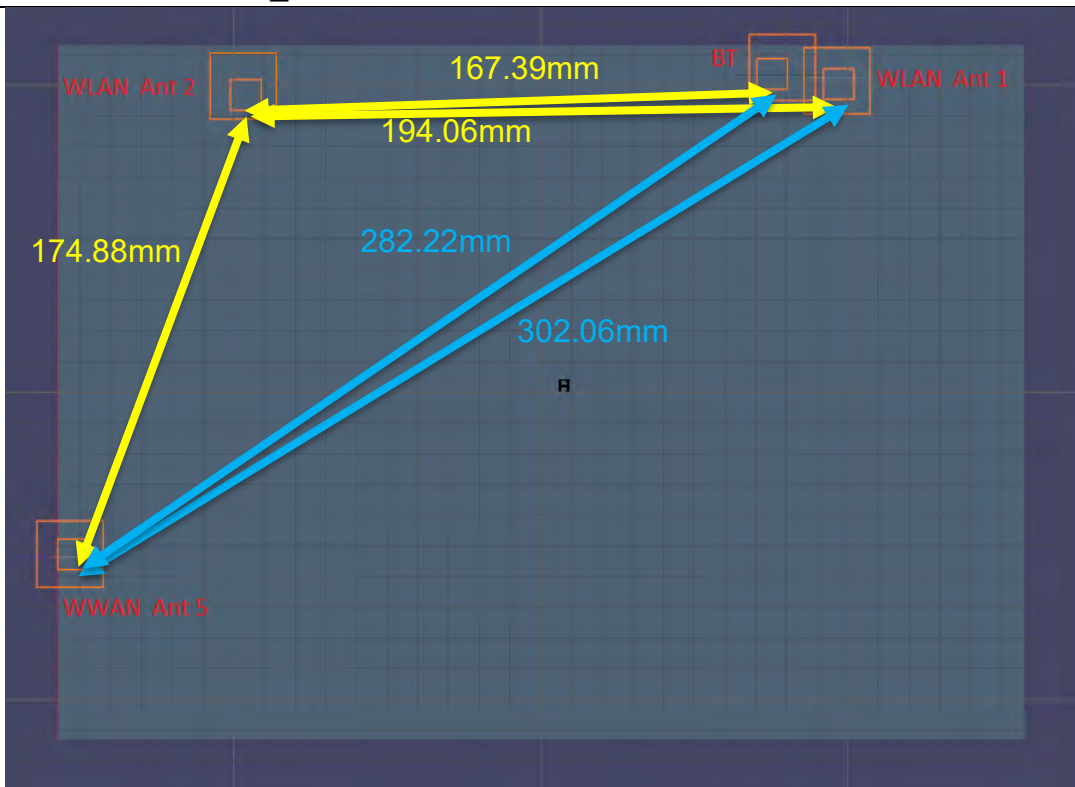
除非另有說明，此報告結果僅對測試之樣品負責，同時此樣品僅保留90天。本報告未經本公司書面許可，不可部份複製。

This document is issued by the Company subject to its General Conditions of Service printed overleaf, available on request or accessible at <http://www.sgs.com.tw/Terms-and-Conditions> and for electronic format documents, subject to Terms and Conditions for Electronic Documents at <http://www.sgs.com.tw/Terms-and-Conditions>. Attention is drawn to the limitation of liability, indemnification and jurisdiction issues defined therein. Any holder of this document is advised that information contained hereon reflects the Company's findings at the time of its intervention only and within the limits of Client's instructions, if any. The Company's sole responsibility is to its Client and this document does not exonerate parties to a transaction from exercising all their rights and obligations under the transaction documents. This document cannot be reproduced except in full, without prior written approval of the Company. Any unauthorized alteration, forgery or falsification of the content or appearance of this document is unlawful and offenders may be prosecuted to the fullest extent of the law.

LTE Band 66 Ant 5 + WLAN5G Ant2 + WLAN5G Ant1 + BT Ant1



LTE Band 71_Ant 5 + WLAN5G Ant2 + WLAN5G Ant1 + BT Ant1

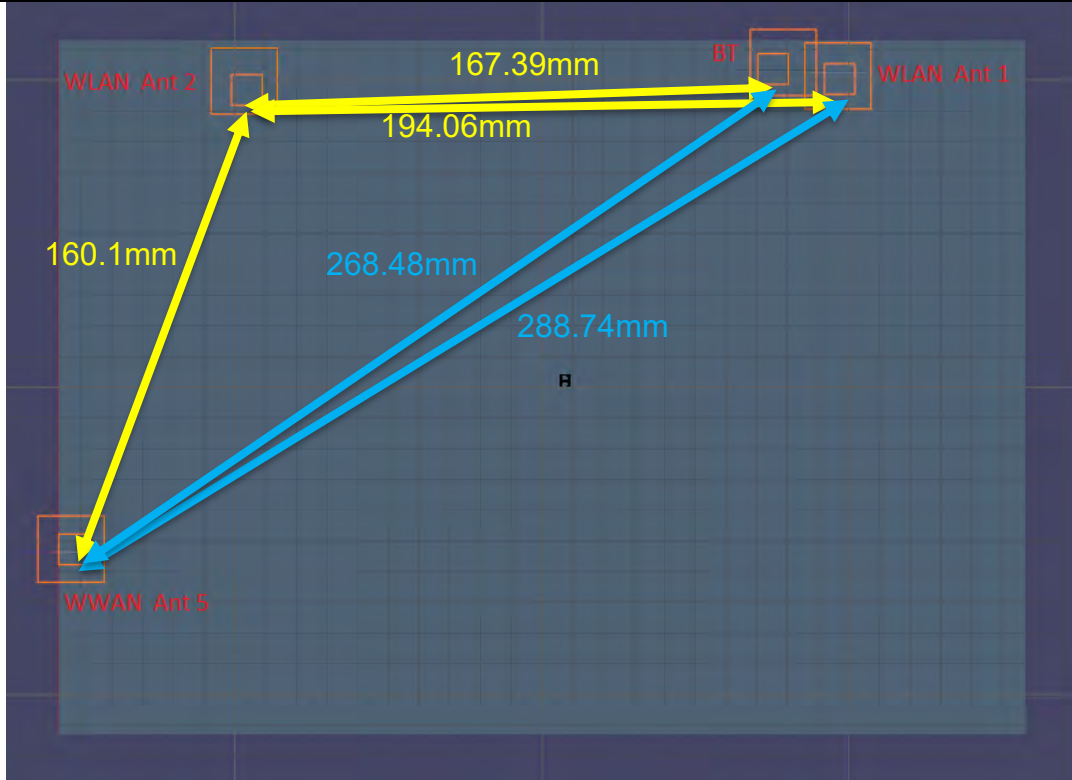


Unless otherwise stated the results shown in this test report refer only to the sample(s) tested and such sample(s) are retained for 90 days only.

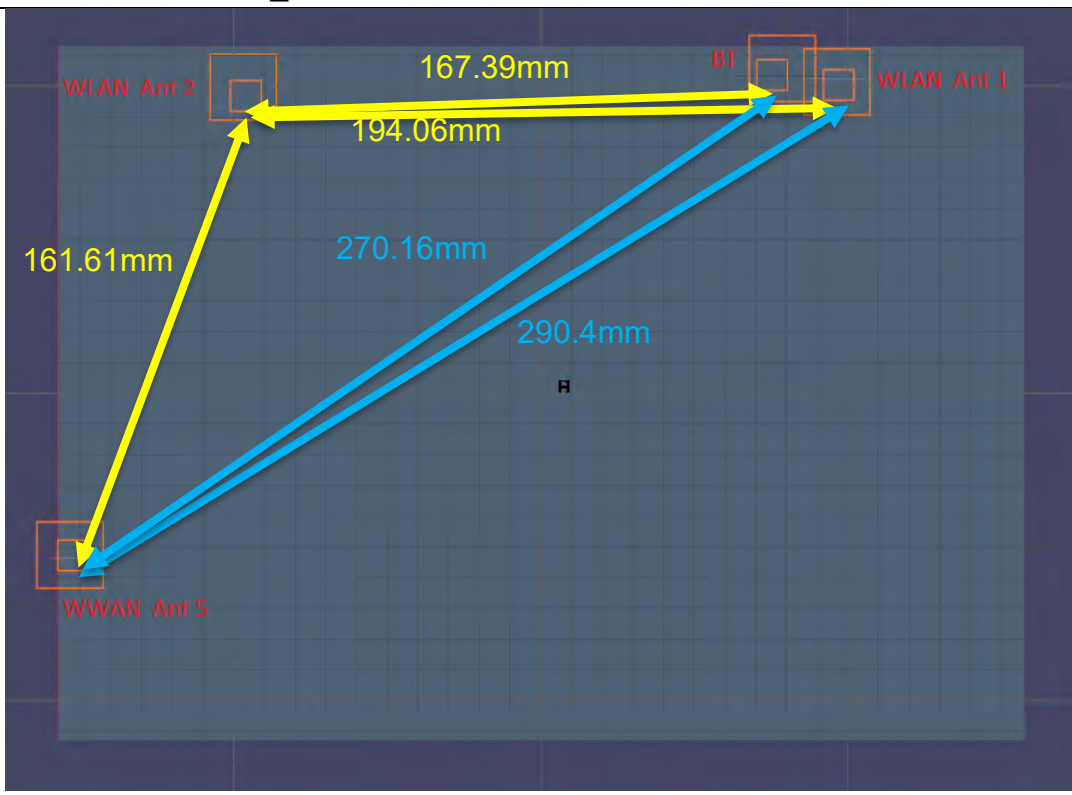
除非另有說明，此報告結果僅對測試之樣品負責，同時此樣品僅保留90天。本報告未經本公司書面許可，不可部份複製。

This document is issued by the Company subject to its General Conditions of Service printed overleaf, available on request or accessible at <http://www.sgs.com.tw/Terms-and-Conditions> and for electronic format documents, subject to Terms and Conditions for Electronic Documents at <http://www.sgs.com.tw/Terms-and-Conditions>. Attention is drawn to the limitation of liability, indemnification and jurisdiction issues defined therein. Any holder of this document is advised that information contained hereon reflects the Company's findings at the time of its intervention only and within the limits of Client's instructions, if any. The Company's sole responsibility is to its Client and this document does not exonerate parties to a transaction from exercising all their rights and obligations under the transaction documents. This document cannot be reproduced except in full, without prior written approval of the Company. Any unauthorized alteration, forgery or falsification of the content or appearance of this document is unlawful and offenders may be prosecuted to the fullest extent of the law.

LTE Band 38_Ant 5 + WLAN5G Ant2 + WLAN5G Ant1 + BT Ant1



LTE Band 41_Ant 5 + WLAN5G Ant2 + WLAN5G Ant1 + BT Ant1

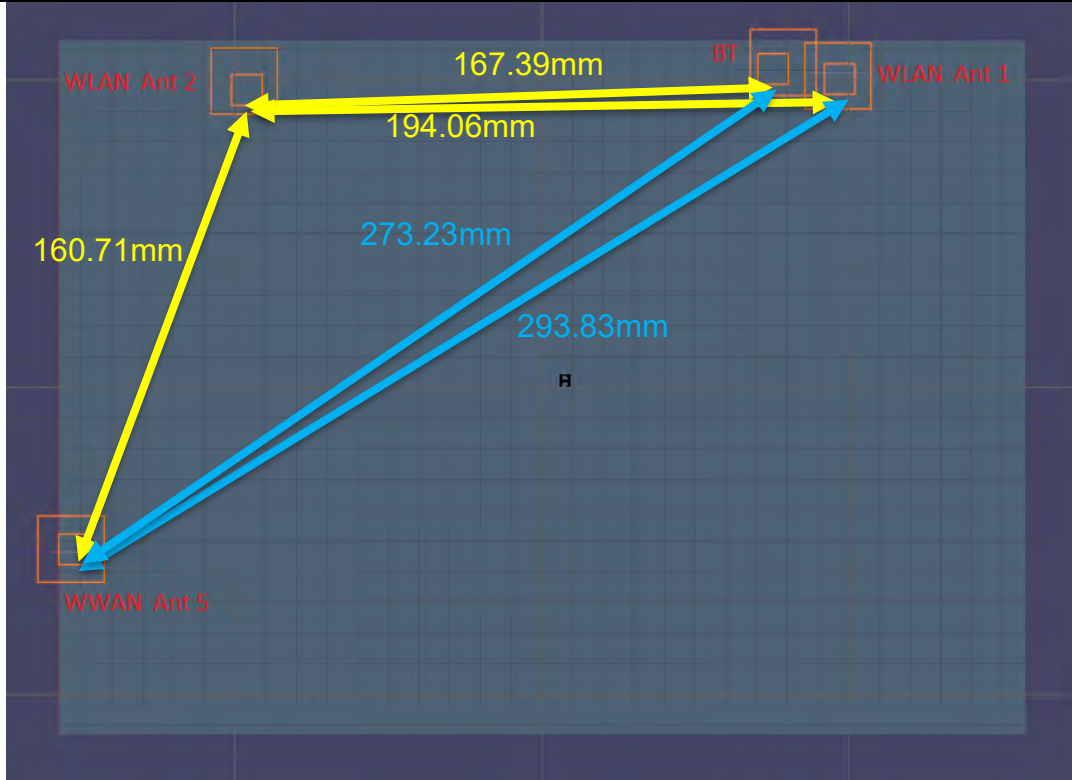


Unless otherwise stated the results shown in this test report refer only to the sample(s) tested and such sample(s) are retained for 90 days only.

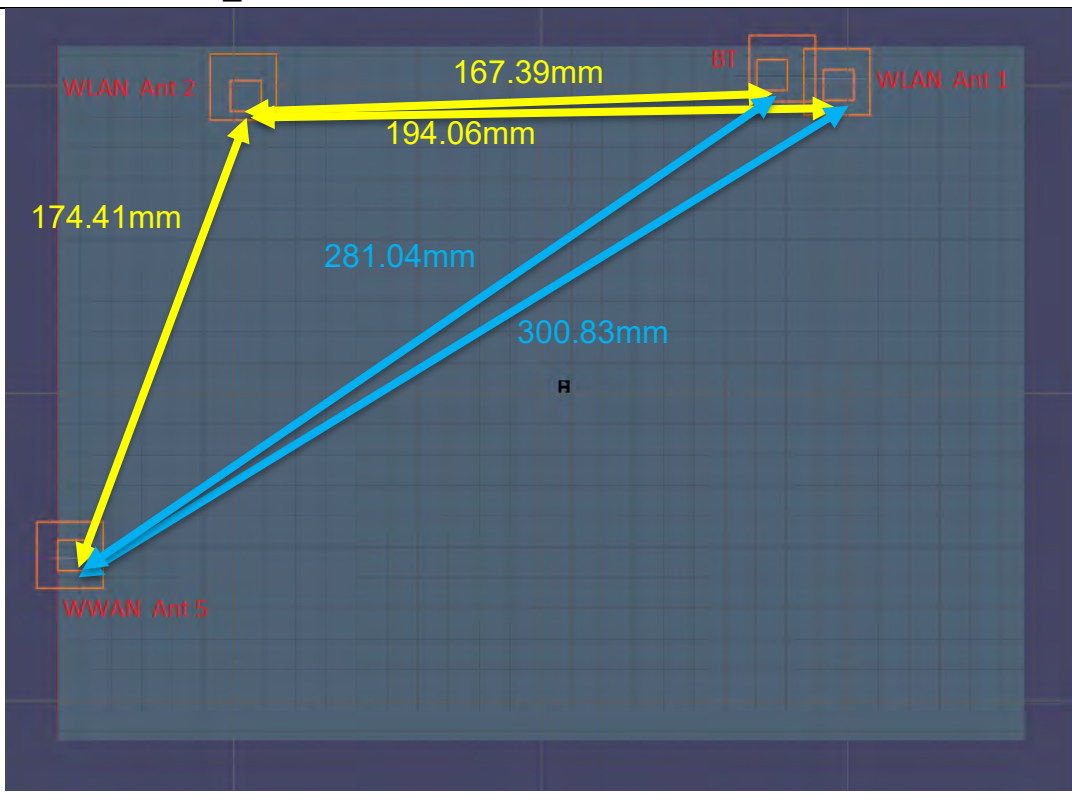
除非另有說明，此報告結果僅對測試之樣品負責，同時此樣品僅保留90天。本報告未經本公司書面許可，不可部份複製。

This document is issued by the Company subject to its General Conditions of Service printed overleaf, available on request or accessible at <http://www.sgs.com.tw/Terms-and-Conditions> and for electronic format documents, subject to Terms and Conditions for Electronic Documents at <http://www.sgs.com.tw/Terms-and-Conditions>. Attention is drawn to the limitation of liability, indemnification and jurisdiction issues defined therein. Any holder of this document is advised that information contained hereon reflects the Company's findings at the time of its intervention only and within the limits of Client's instructions, if any. The Company's sole responsibility is to its Client and this document does not exonerate parties to a transaction from exercising all their rights and obligations under the transaction documents. This document cannot be reproduced except in full, without prior written approval of the Company. Any unauthorized alteration, forgery or falsification of the content or appearance of this document is unlawful and offenders may be prosecuted to the fullest extent of the law.

NR n2_Ant 5 + WLAN5G Ant2 + WLAN5G Ant1 + BT Ant1



NR n5_Ant 5 + WLAN5G Ant2 + WLAN5G Ant1 + BT Ant1

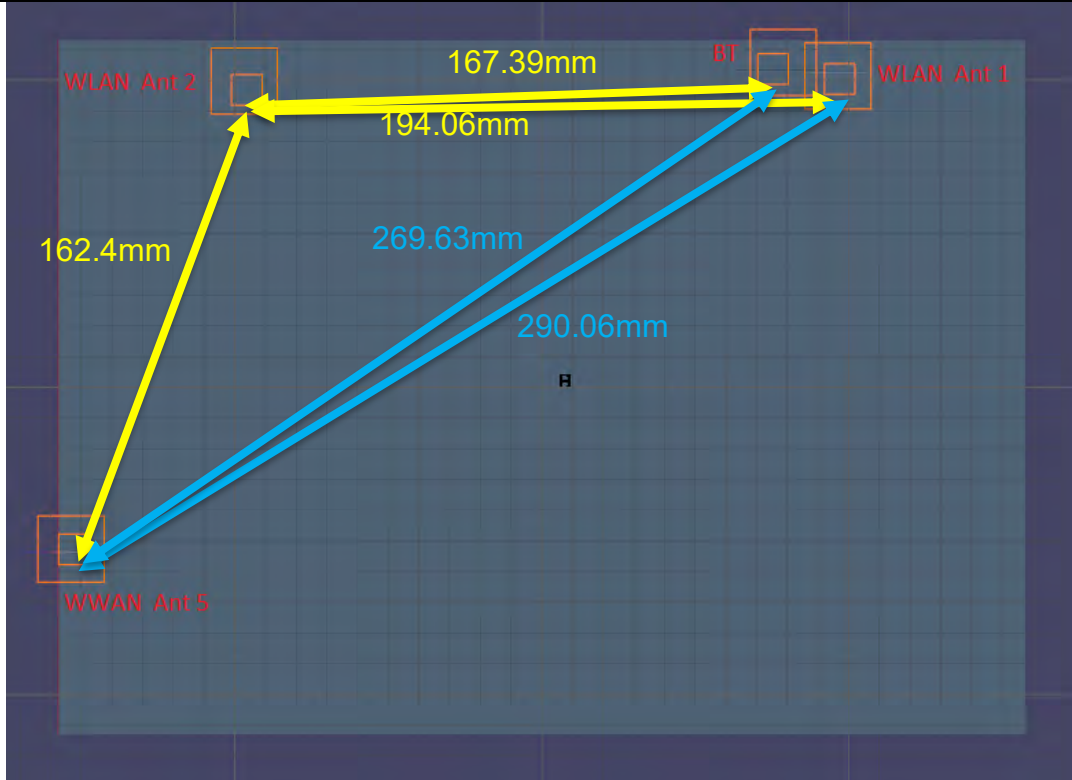


Unless otherwise stated the results shown in this test report refer only to the sample(s) tested and such sample(s) are retained for 90 days only.

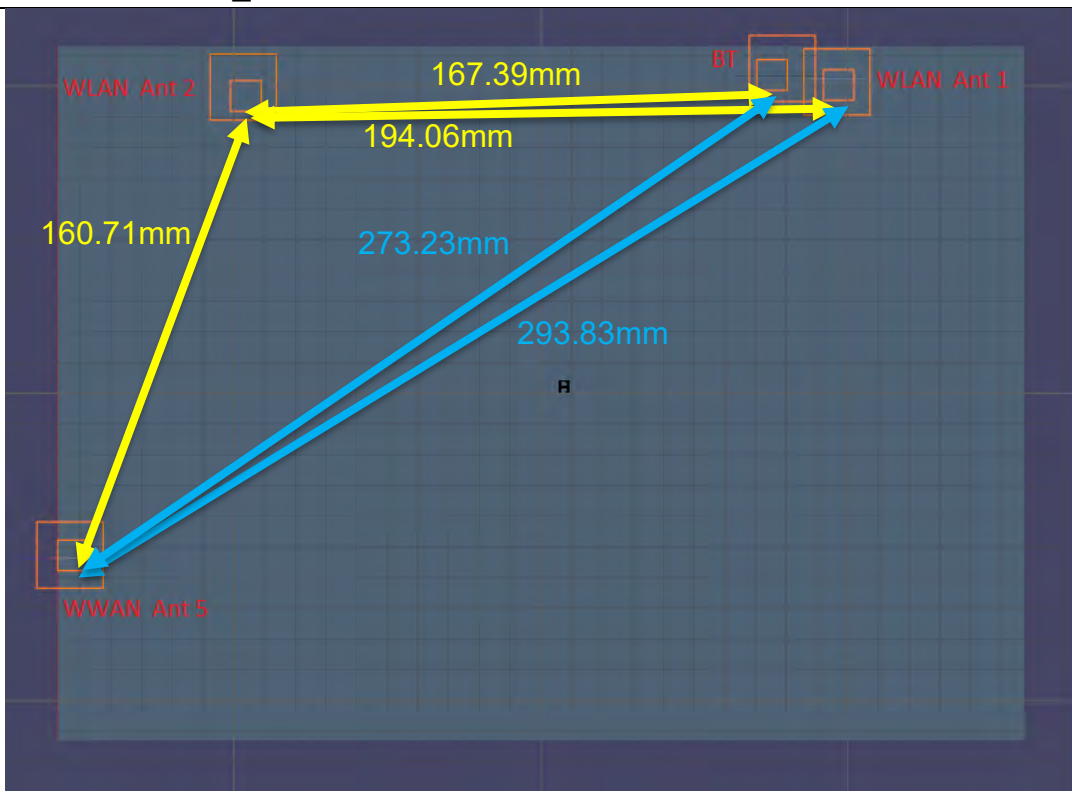
除非另有說明，此報告結果僅對測試之樣品負責，同時此樣品僅保留90天。本報告未經本公司書面許可，不可部份複製。

This document is issued by the Company subject to its General Conditions of Service printed overleaf, available on request or accessible at <http://www.sgs.com.tw/Terms-and-Conditions> and for electronic format documents, subject to Terms and Conditions for Electronic Documents at <http://www.sgs.com.tw/Terms-and-Conditions>. Attention is drawn to the limitation of liability, indemnification and jurisdiction issues defined therein. Any holder of this document is advised that information contained hereon reflects the Company's findings at the time of its intervention only and within the limits of Client's instructions, if any. The Company's sole responsibility is to its Client and this document does not exonerate parties to a transaction from exercising all their rights and obligations under the transaction documents. This document cannot be reproduced except in full, without prior written approval of the Company. Any unauthorized alteration, forgery or falsification of the content or appearance of this document is unlawful and offenders may be prosecuted to the fullest extent of the law.

NR n7_Ant 5 + WLAN5G Ant2 + WLAN5G Ant1 + BT Ant1



NR n25_Ant 5 + WLAN5G Ant2 + WLAN5G Ant1 + BT Ant1

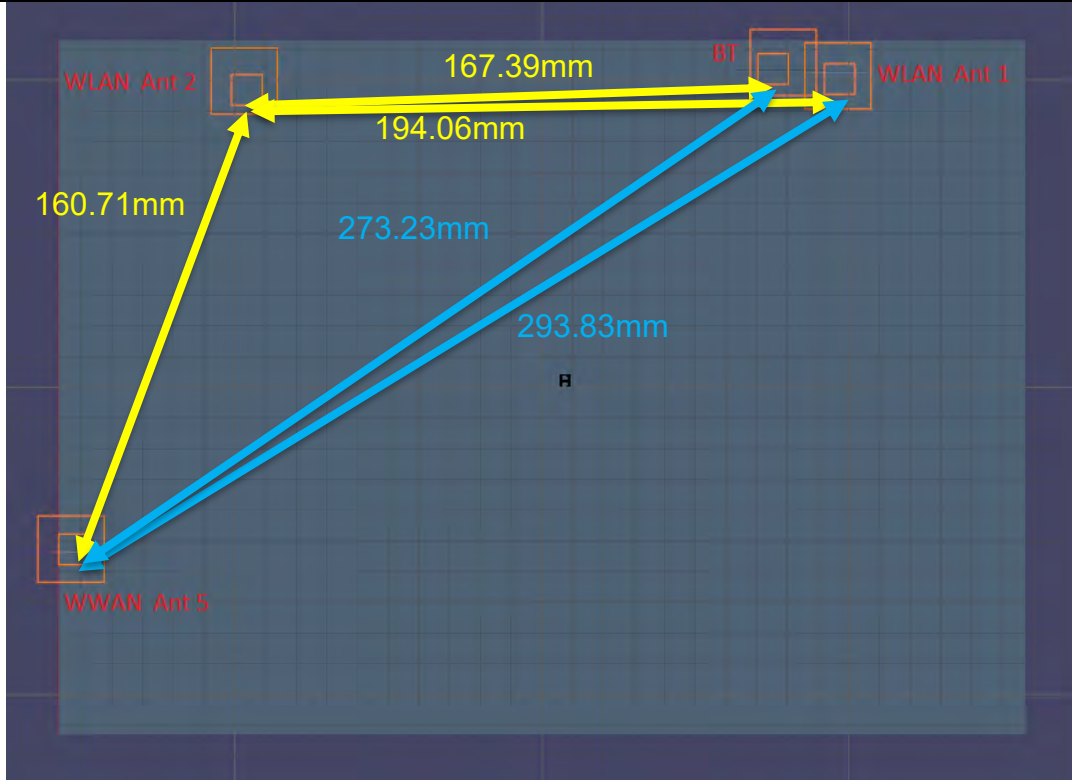


Unless otherwise stated the results shown in this test report refer only to the sample(s) tested and such sample(s) are retained for 90 days only.

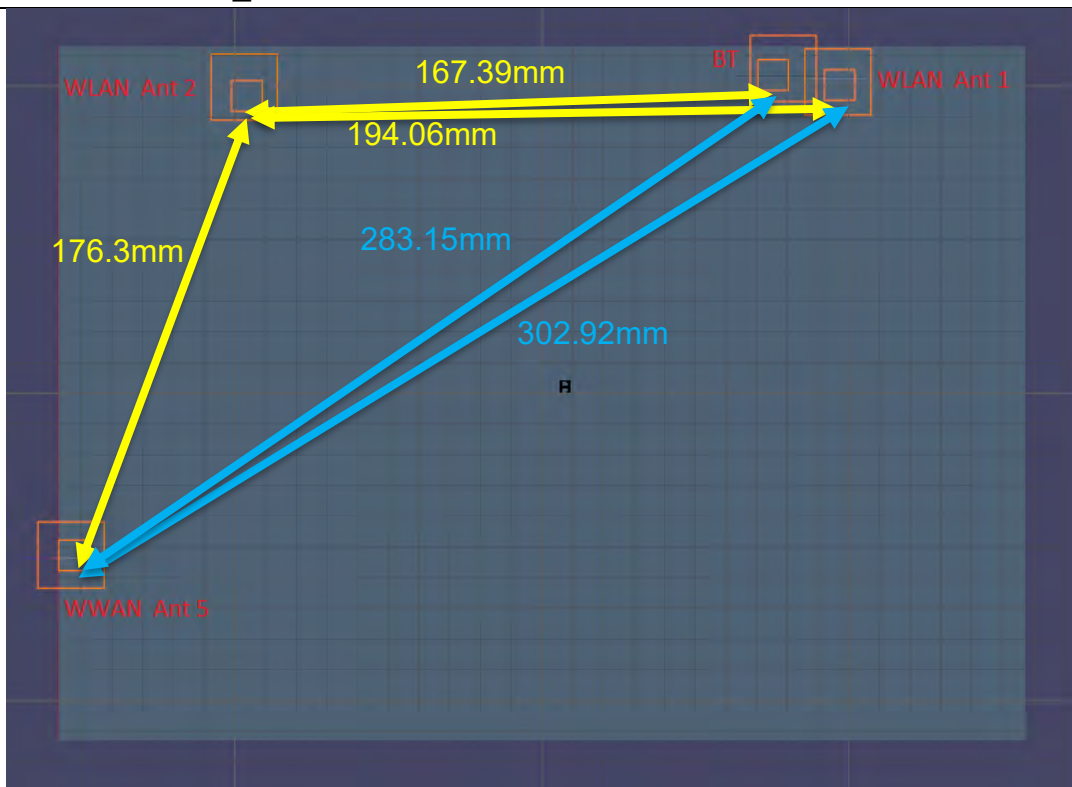
除非另有說明，此報告結果僅對測試之樣品負責，同時此樣品僅保留90天。本報告未經本公司書面許可，不可部份複製。

This document is issued by the Company subject to its General Conditions of Service printed overleaf, available on request or accessible at <http://www.sgs.com.tw/Terms-and-Conditions> and for electronic format documents, subject to Terms and Conditions for Electronic Documents at <http://www.sgs.com.tw/Terms-and-Conditions>. Attention is drawn to the limitation of liability, indemnification and jurisdiction issues defined therein. Any holder of this document is advised that information contained hereon reflects the Company's findings at the time of its intervention only and within the limits of Client's instructions, if any. The Company's sole responsibility is to its Client and this document does not exonerate parties to a transaction from exercising all their rights and obligations under the transaction documents. This document cannot be reproduced except in full, without prior written approval of the Company. Any unauthorized alteration, forgery or falsification of the content or appearance of this document is unlawful and offenders may be prosecuted to the fullest extent of the law.

NR n66_Ant 5 + WLAN5G Ant2 + WLAN5G Ant1 + BT Ant1



NR n71_Ant 5 + WLAN5G Ant2 + WLAN5G Ant1 + BT Ant1

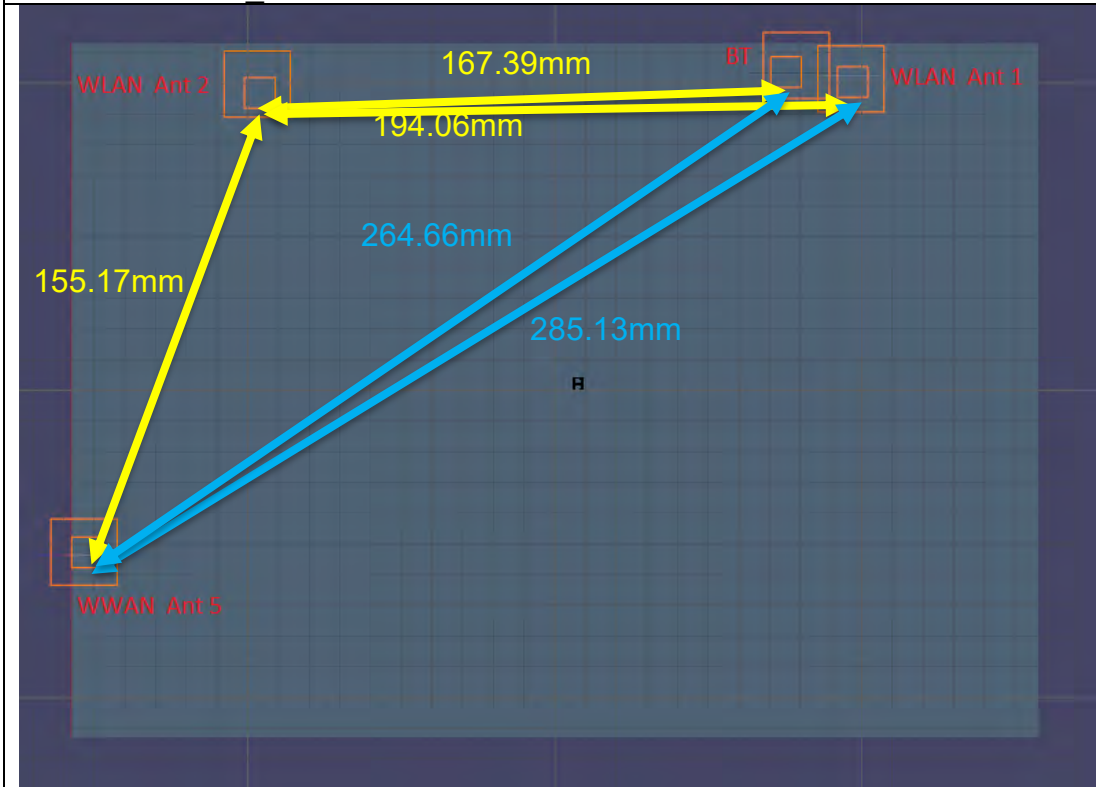


Unless otherwise stated the results shown in this test report refer only to the sample(s) tested and such sample(s) are retained for 90 days only.

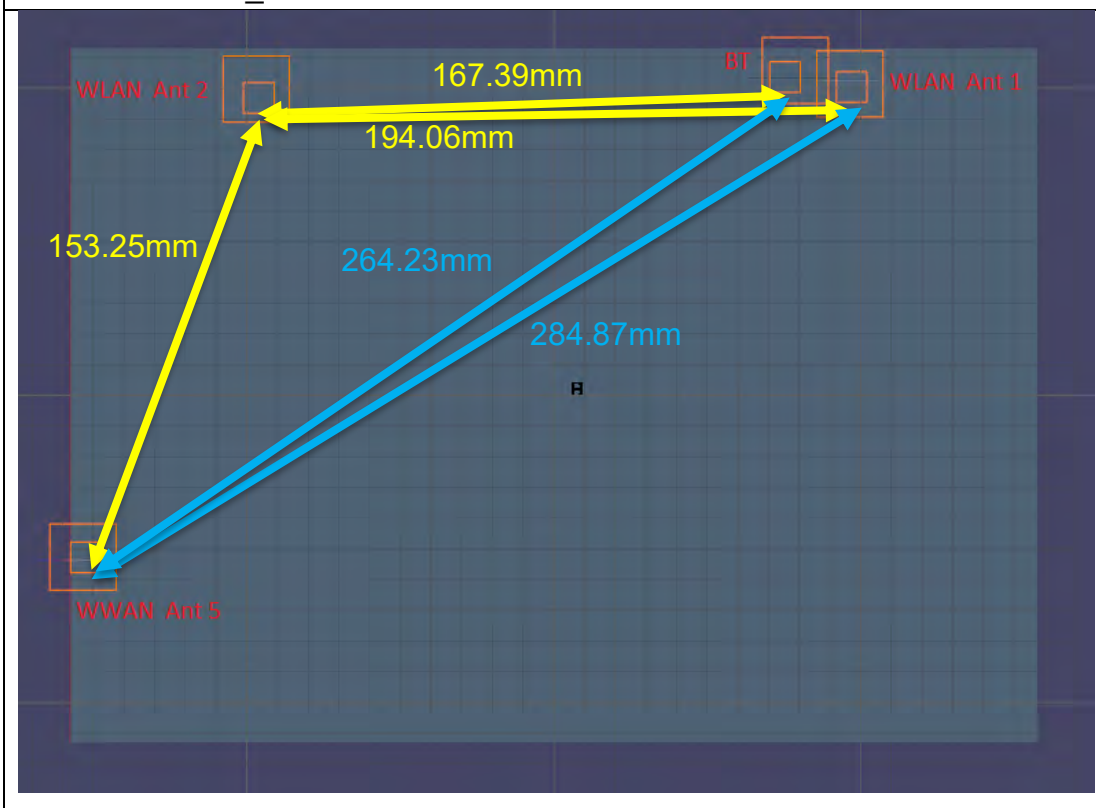
除非另有說明，此報告結果僅對測試之樣品負責，同時此樣品僅保留90天。本報告未經本公司書面許可，不可部份複製。

This document is issued by the Company subject to its General Conditions of Service printed overleaf, available on request or accessible at <http://www.sgs.com.tw/Terms-and-Conditions> and for electronic format documents, subject to Terms and Conditions for Electronic Documents at <http://www.sgs.com.tw/Terms-and-Conditions>. Attention is drawn to the limitation of liability, indemnification and jurisdiction issues defined therein. Any holder of this document is advised that information contained hereon reflects the Company's findings at the time of its intervention only and within the limits of Client's instructions, if any. The Company's sole responsibility is to its Client and this document does not exonerate parties to a transaction from exercising all their rights and obligations under the transaction documents. This document cannot be reproduced except in full, without prior written approval of the Company. Any unauthorized alteration, forgery or falsification of the content or appearance of this document is unlawful and offenders may be prosecuted to the fullest extent of the law.

NR n38 Ant 5 + WLAN5G Ant2 + WLAN5G Ant1 + BT Ant1



NR n41_Ant 5 + WLAN5G Ant2 + WLAN5G Ant1 + BT Ant1

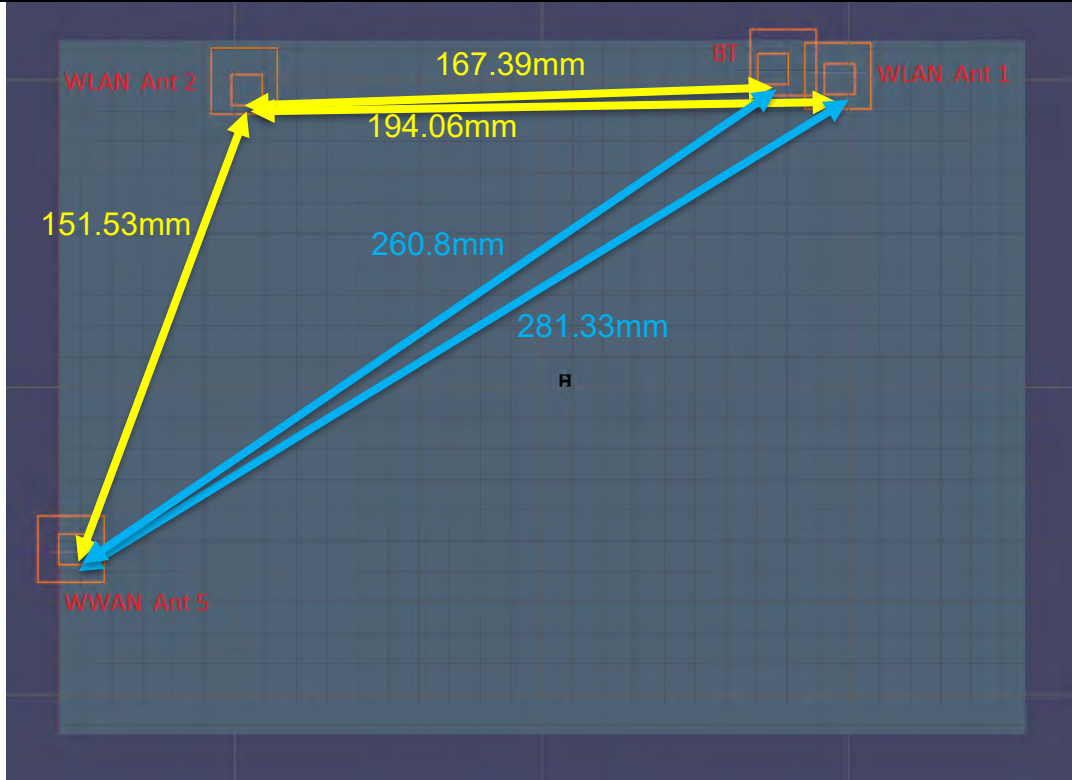


Unless otherwise stated the results shown in this test report refer only to the sample(s) tested and such sample(s) are retained for 90 days only.

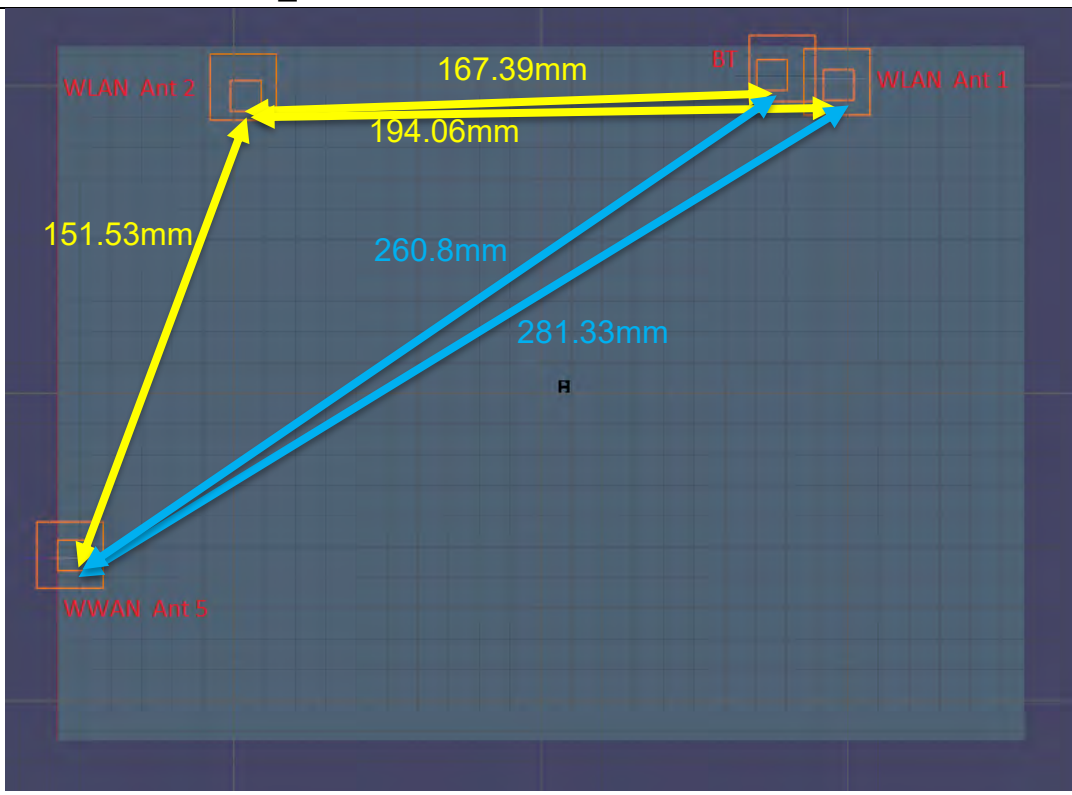
除非另有說明，此報告結果僅對測試之樣品負責，同時此樣品僅保留90天。本報告未經本公司書面許可，不可部份複製。

This document is issued by the Company subject to its General Conditions of Service printed overleaf, available on request or accessible at <http://www.sgs.com.tw/Terms-and-Conditions> and for electronic format documents, subject to Terms and Conditions for Electronic Documents at <http://www.sgs.com.tw/Terms-and-Conditions>. Attention is drawn to the limitation of liability, indemnification and jurisdiction issues defined therein. Any holder of this document is advised that information contained hereon reflects the Company's findings at the time of its intervention only and within the limits of Client's instructions, if any. The Company's sole responsibility is to its Client and this document does not exonerate parties to a transaction from exercising all their rights and obligations under the transaction documents. This document cannot be reproduced except in full, without prior written approval of the Company. Any unauthorized alteration, forgery or falsification of the content or appearance of this document is unlawful and offenders may be prosecuted to the fullest extent of the law.

NR n77 Ant 5 + WLAN5G Ant2 + WLAN5G Ant1 + BT Ant1



NR n77 & n78_Ant 5 + WLAN5G Ant2 + WLAN5G Ant1 + BT Ant1

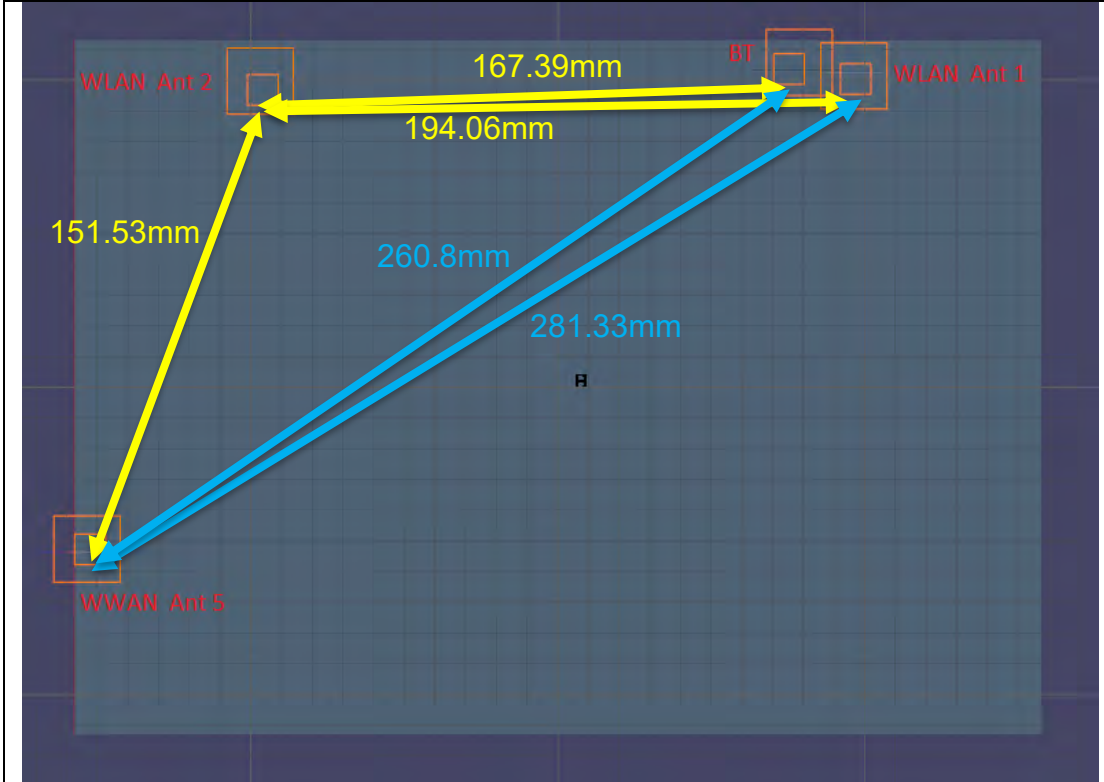


Unless otherwise stated the results shown in this test report refer only to the sample(s) tested and such sample(s) are retained for 90 days only.

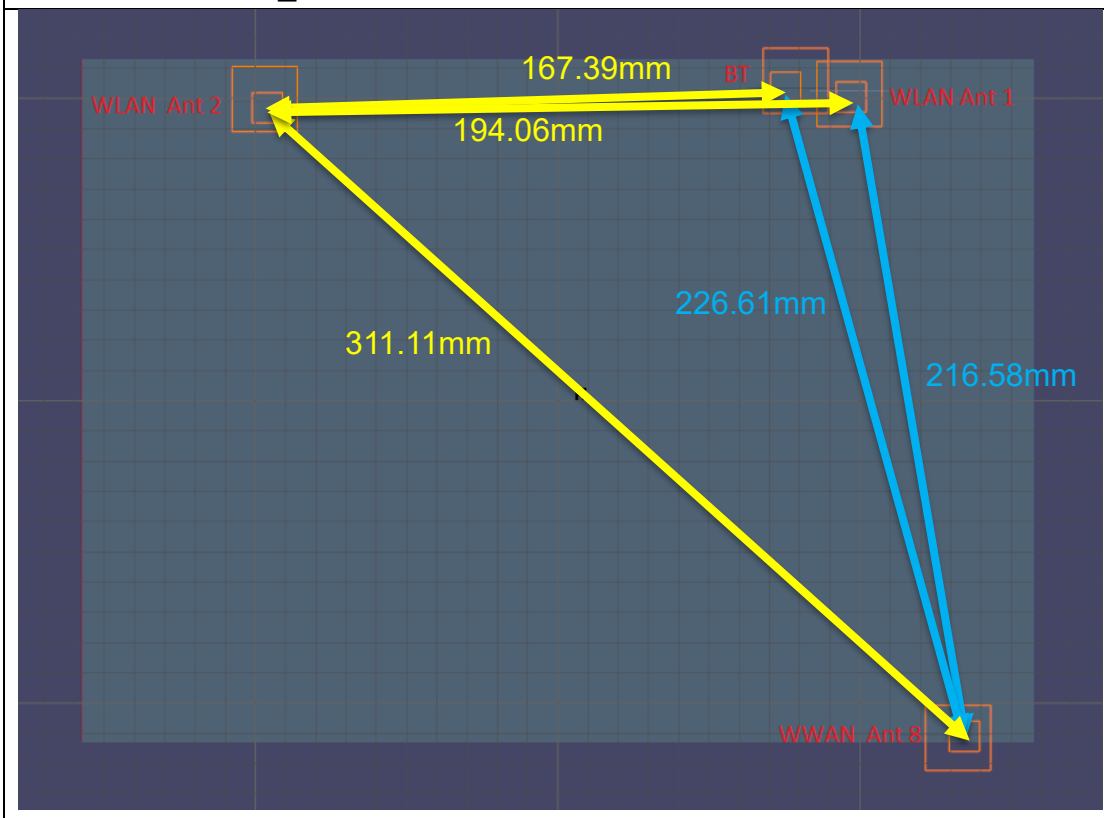
除非另有說明，此報告結果僅對測試之樣品負責，同時此樣品僅保留90天。本報告未經本公司書面許可，不可部份複製。

This document is issued by the Company subject to its General Conditions of Service printed overleaf, available on request or accessible at <http://www.sgs.com.tw/Terms-and-Conditions> and for electronic format documents, subject to Terms and Conditions for Electronic Documents at <http://www.sgs.com.tw/Terms-and-Conditions>. Attention is drawn to the limitation of liability, indemnification and jurisdiction issues defined therein. Any holder of this document is advised that information contained hereon reflects the Company's findings at the time of its intervention only and within the limits of Client's instructions, if any. The Company's sole responsibility is to its Client and this document does not exonerate parties to a transaction from exercising all their rights and obligations under the transaction documents. This document cannot be reproduced except in full, without prior written approval of the Company. Any unauthorized alteration, forgery or falsification of the content or appearance of this document is unlawful and offenders may be prosecuted to the fullest extent of the law.

NR n78_Ant 5 + WLAN5G Ant2 + WLAN5G Ant1 + BT Ant1



LTE Band 2_Ant 8 + WLAN5G Ant2 + WLAN5G Ant1 + BT Ant1

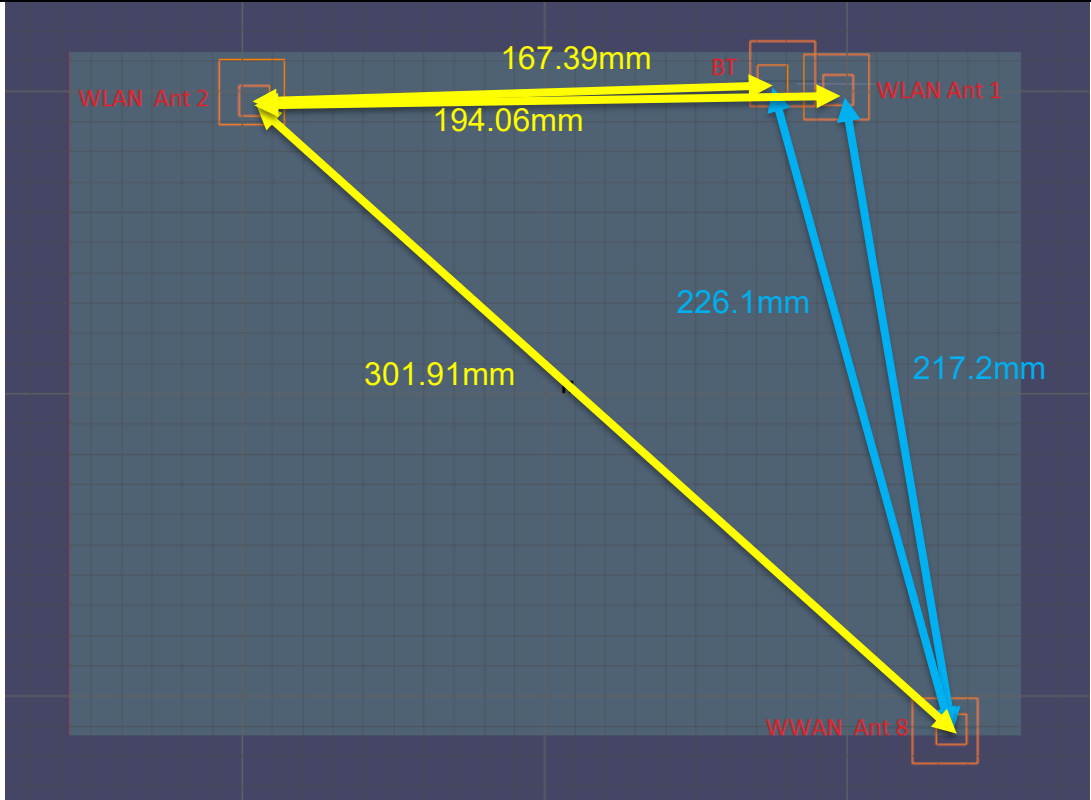


Unless otherwise stated the results shown in this test report refer only to the sample(s) tested and such sample(s) are retained for 90 days only.

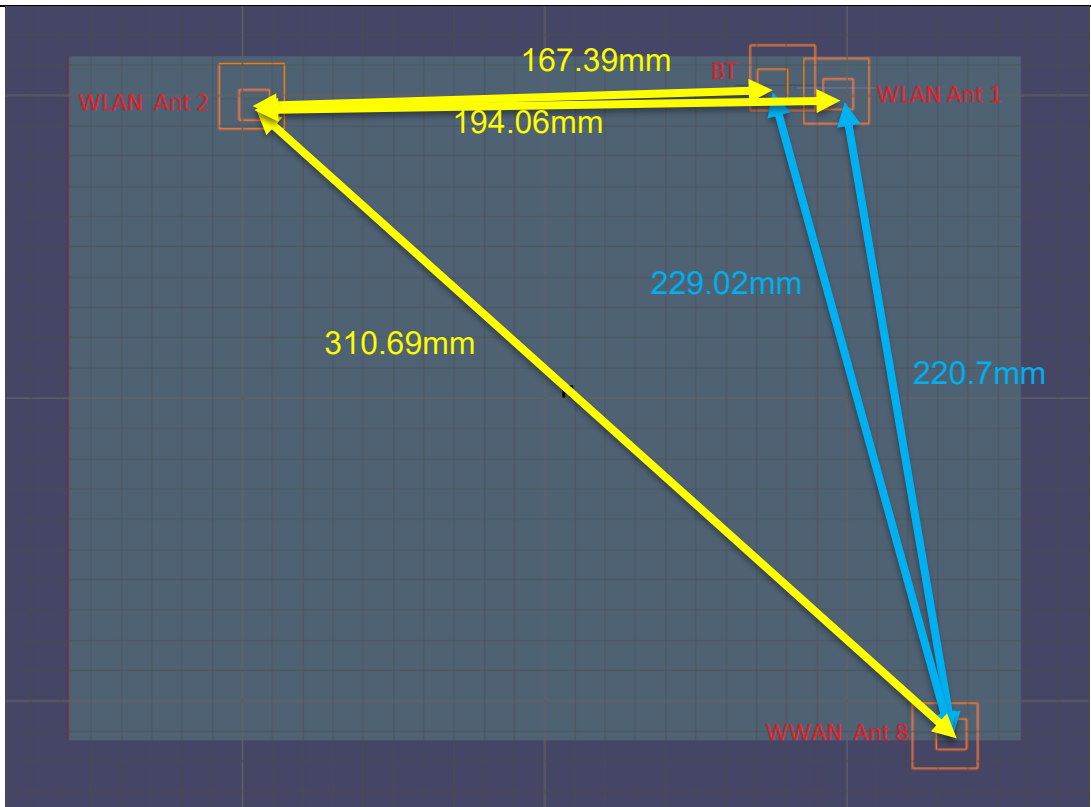
除非另有說明，此報告結果僅對測試之樣品負責，同時此樣品僅保留90天。本報告未經本公司書面許可，不可部份複製。

This document is issued by the Company subject to its General Conditions of Service printed overleaf, available on request or accessible at <http://www.sgs.com.tw/Terms-and-Conditions> and for electronic format documents, subject to Terms and Conditions for Electronic Documents at <http://www.sgs.com.tw/Terms-and-Conditions>. Attention is drawn to the limitation of liability, indemnification and jurisdiction issues defined therein. Any holder of this document is advised that information contained hereon reflects the Company's findings at the time of its intervention only and within the limits of Client's instructions, if any. The Company's sole responsibility is to its Client and this document does not exonerate parties to a transaction from exercising all their rights and obligations under the transaction documents. This document cannot be reproduced except in full, without prior written approval of the Company. Any unauthorized alteration, forgery or falsification of the content or appearance of this document is unlawful and offenders may be prosecuted to the fullest extent of the law.

LTE Band 4_Ant 8 + WLAN5G Ant2 + WLAN5G Ant1 + BT Ant1



LTE Band 7_Ant 8 + WLAN5G Ant2 + WLAN5G Ant1 + BT Ant1

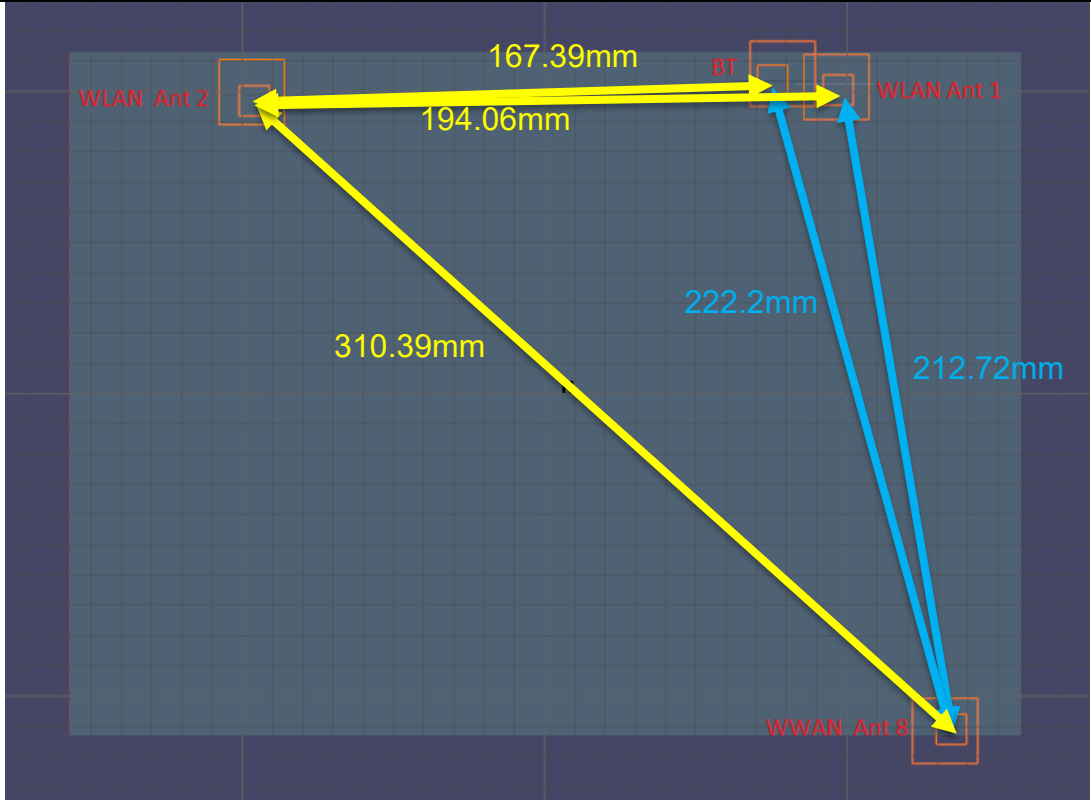


Unless otherwise stated the results shown in this test report refer only to the sample(s) tested and such sample(s) are retained for 90 days only.

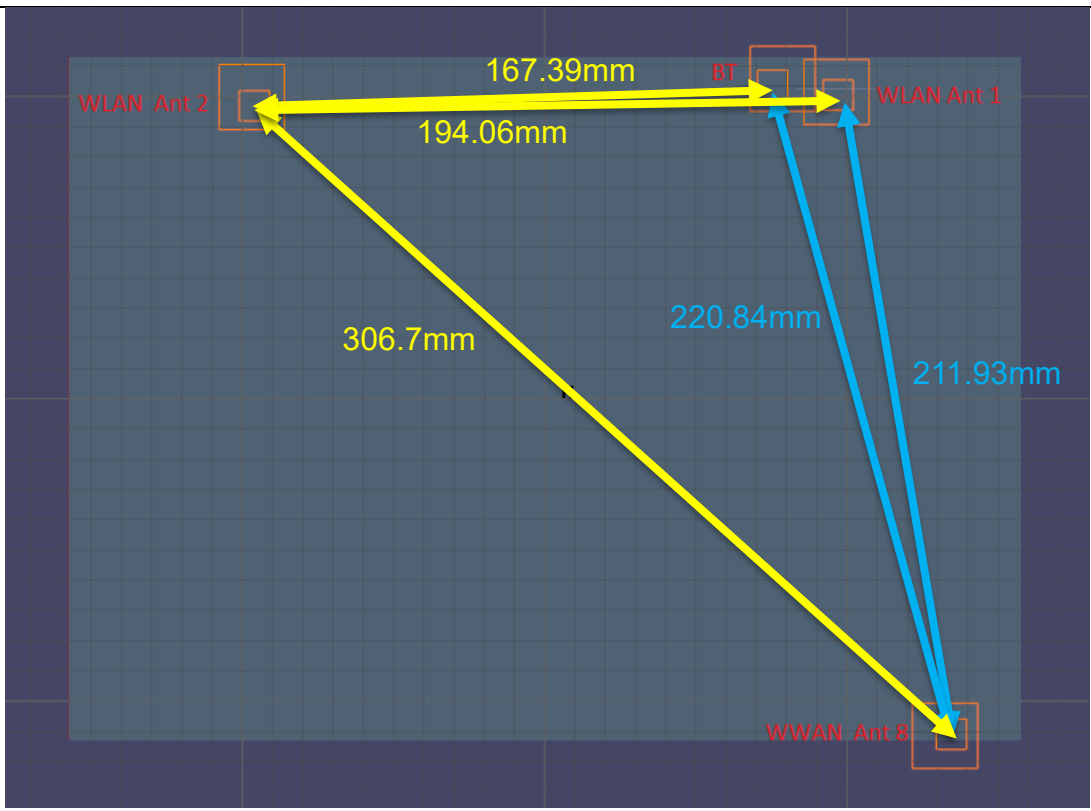
除非另有說明，此報告結果僅對測試之樣品負責，同時此樣品僅保留90天。本報告未經本公司書面許可，不可部份複製。

This document is issued by the Company subject to its General Conditions of Service printed overleaf, available on request or accessible at <http://www.sgs.com.tw/Terms-and-Conditions> and for electronic format documents, subject to Terms and Conditions for Electronic Documents at <http://www.sgs.com.tw/Terms-and-Conditions>. Attention is drawn to the limitation of liability, indemnification and jurisdiction issues defined therein. Any holder of this document is advised that information contained hereon reflects the Company's findings at the time of its intervention only and within the limits of Client's instructions, if any. The Company's sole responsibility is to its Client and this document does not exonerate parties to a transaction from exercising all their rights and obligations under the transaction documents. This document cannot be reproduced except in full, without prior written approval of the Company. Any unauthorized alteration, forgery or falsification of the content or appearance of this document is unlawful and offenders may be prosecuted to the fullest extent of the law.

LTE Band 25 Ant 8 + WLAN5G Ant2 + WLAN5G Ant1 + BT Ant1



LTE Band 30_Ant 8 + WLAN5G Ant2 + WLAN5G Ant1 + BT Ant1

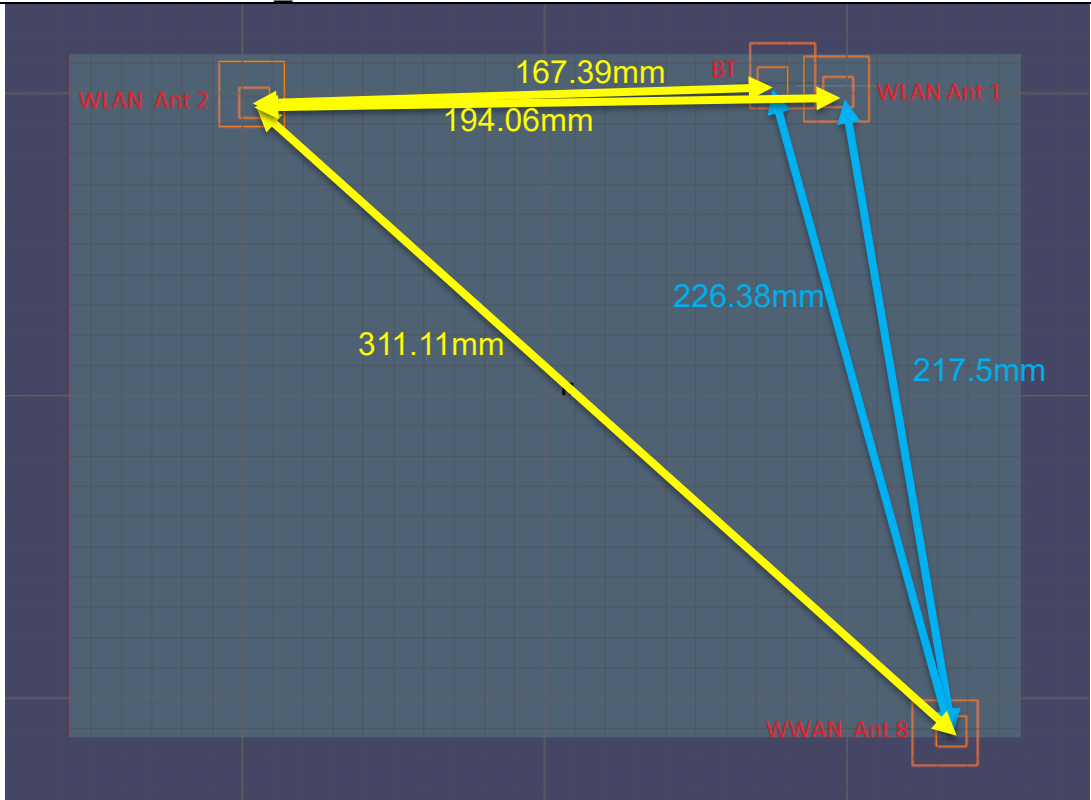


Unless otherwise stated the results shown in this test report refer only to the sample(s) tested and such sample(s) are retained for 90 days only.

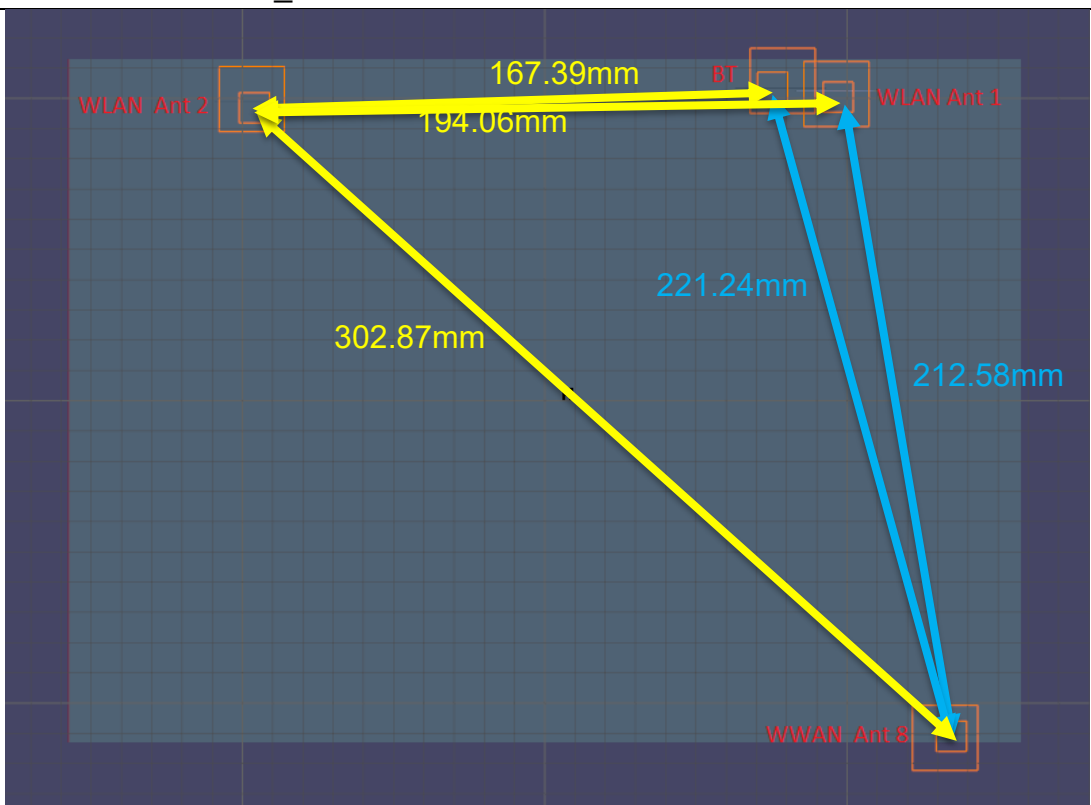
除非另有說明，此報告結果僅對測試之樣品負責，同時此樣品僅保留90天。本報告未經本公司書面許可，不可部份複製。

This document is issued by the Company subject to its General Conditions of Service printed overleaf, available on request or accessible at <http://www.sgs.com.tw/Terms-and-Conditions> and for electronic format documents, subject to Terms and Conditions for Electronic Documents at <http://www.sgs.com.tw/Terms-and-Conditions>. Attention is drawn to the limitation of liability, indemnification and jurisdiction issues defined therein. Any holder of this document is advised that information contained hereon reflects the Company's findings at the time of its intervention only and within the limits of Client's instructions, if any. The Company's sole responsibility is to its Client and this document does not exonerate parties to a transaction from exercising all their rights and obligations under the transaction documents. This document cannot be reproduced except in full, without prior written approval of the Company. Any unauthorized alteration, forgery or falsification of the content or appearance of this document is unlawful and offenders may be prosecuted to the fullest extent of the law.

LTE Band 66 Ant 8 + WLAN5G Ant2 + WLAN5G Ant1 + BT Ant1



LTE Band 41_Ant 8 + WLAN5G Ant2 + WLAN5G Ant1 + BT Ant1

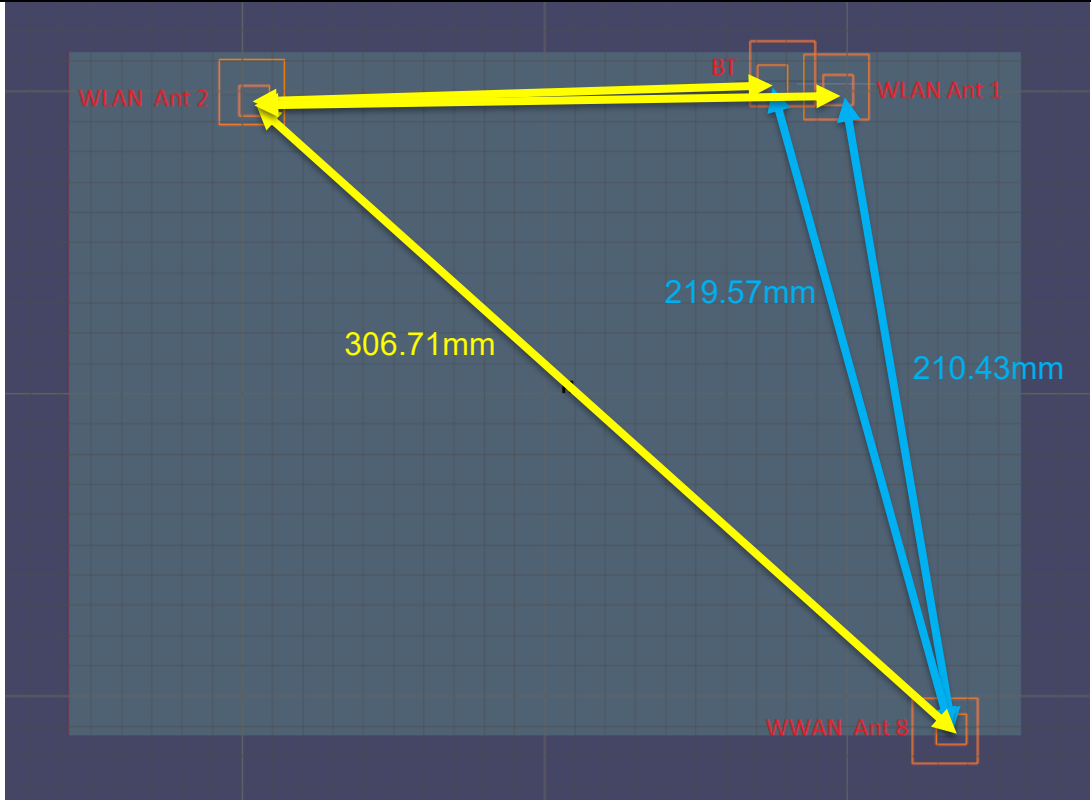


Unless otherwise stated the results shown in this test report refer only to the sample(s) tested and such sample(s) are retained for 90 days only.

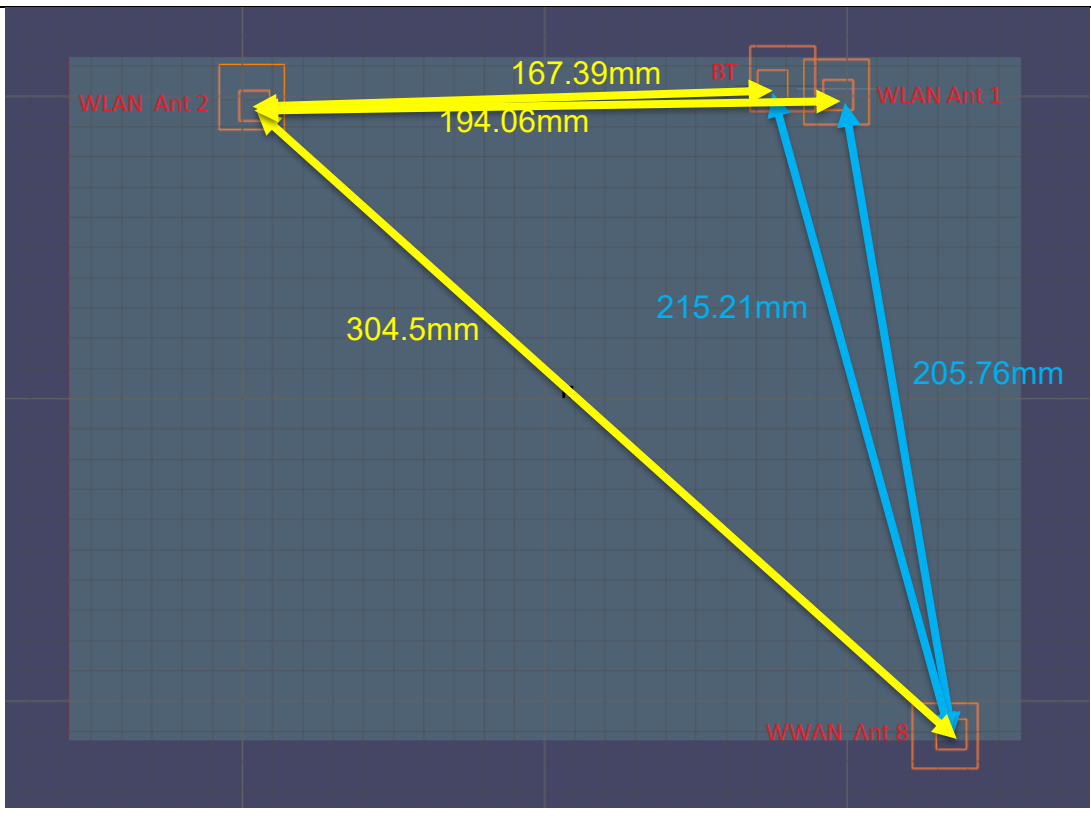
除非另有說明，此報告結果僅對測試之樣品負責，同時此樣品僅保留90天。本報告未經本公司書面許可，不可部份複製。

This document is issued by the Company subject to its General Conditions of Service printed overleaf, available on request or accessible at <http://www.sgs.com.tw/Terms-and-Conditions> and for electronic format documents, subject to Terms and Conditions for Electronic Documents at <http://www.sgs.com.tw/Terms-and-Conditions>. Attention is drawn to the limitation of liability, indemnification and jurisdiction issues defined therein. Any holder of this document is advised that information contained hereon reflects the Company's findings at the time of its intervention only and within the limits of Client's instructions, if any. The Company's sole responsibility is to its Client and this document does not exonerate parties to a transaction from exercising all their rights and obligations under the transaction documents. This document cannot be reproduced except in full, without prior written approval of the Company. Any unauthorized alteration, forgery or falsification of the content or appearance of this document is unlawful and offenders may be prosecuted to the fullest extent of the law.

CA 41C Ant 8 + WLAN5G Ant2 + WLAN5G Ant1 + BT Ant1



LTE Band 48_Ant 8 + WLAN5G Ant2 + WLAN5G Ant1 + BT Ant1

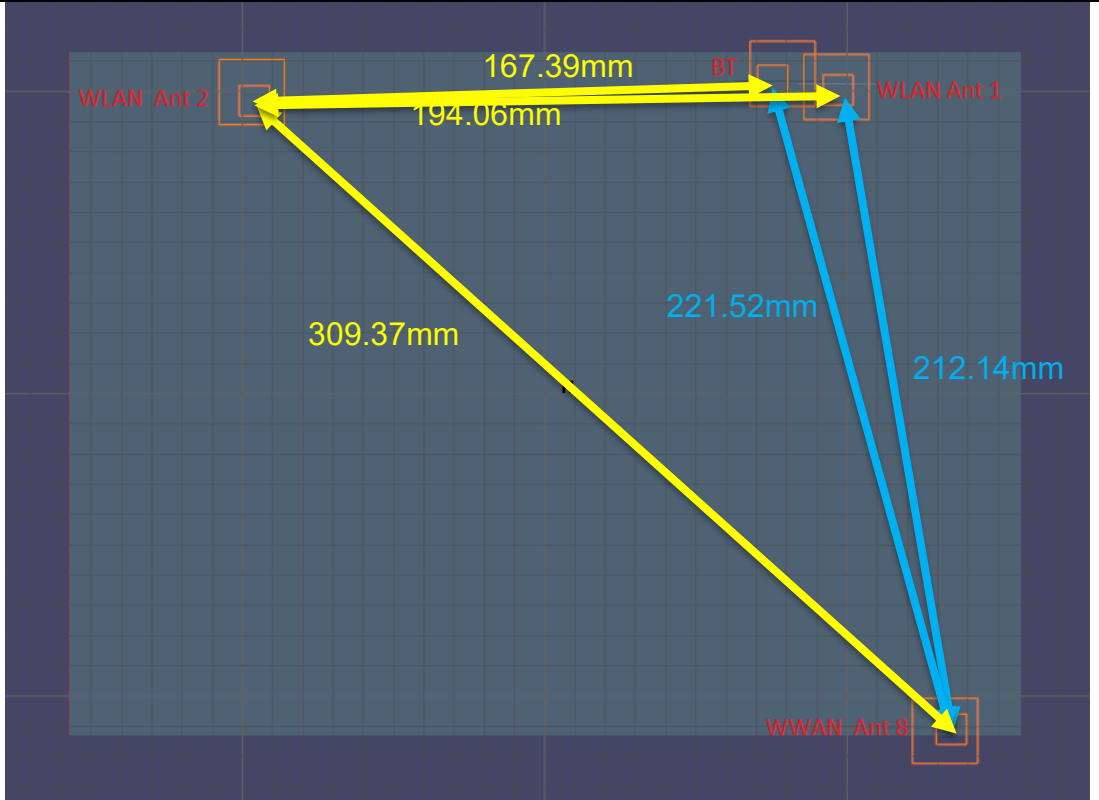


Unless otherwise stated the results shown in this test report refer only to the sample(s) tested and such sample(s) are retained for 90 days only.

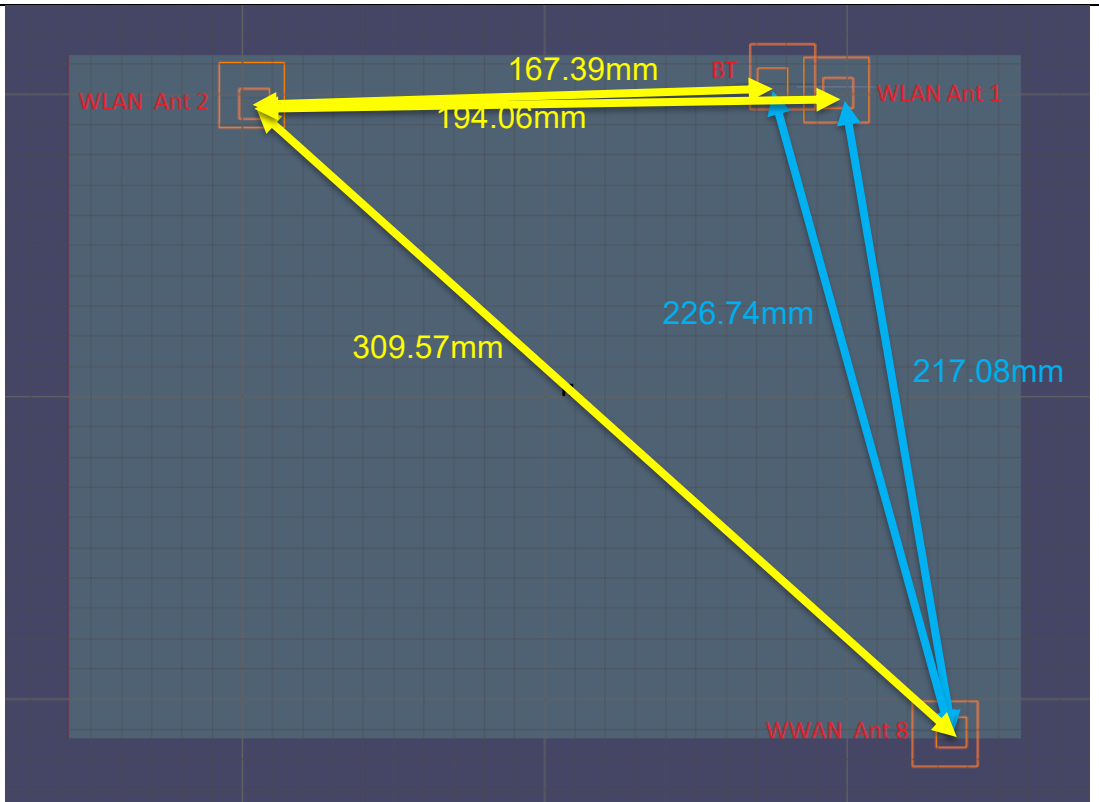
除非另有說明，此報告結果僅對測試之樣品負責，同時此樣品僅保留90天。本報告未經本公司書面許可，不可部份複製。

This document is issued by the Company subject to its General Conditions of Service printed overleaf, available on request or accessible at <http://www.sgs.com.tw/Terms-and-Conditions> and for electronic format documents, subject to Terms and Conditions for Electronic Documents at <http://www.sgs.com.tw/Terms-and-Conditions>. Attention is drawn to the limitation of liability, indemnification and jurisdiction issues defined therein. Any holder of this document is advised that information contained hereon reflects the Company's findings at the time of its intervention only and within the limits of Client's instructions, if any. The Company's sole responsibility is to its Client and this document does not exonerate parties to a transaction from exercising all their rights and obligations under the transaction documents. This document cannot be reproduced except in full, without prior written approval of the Company. Any unauthorized alteration, forgery or falsification of the content or appearance of this document is unlawful and offenders may be prosecuted to the fullest extent of the law.

NR n2_Ant 8 + WLAN5G Ant2 + WLAN5G Ant1 + BT Ant1



NR n66_Ant 8 + WLAN5G Ant2 + WLAN5G Ant1 + BT Ant1

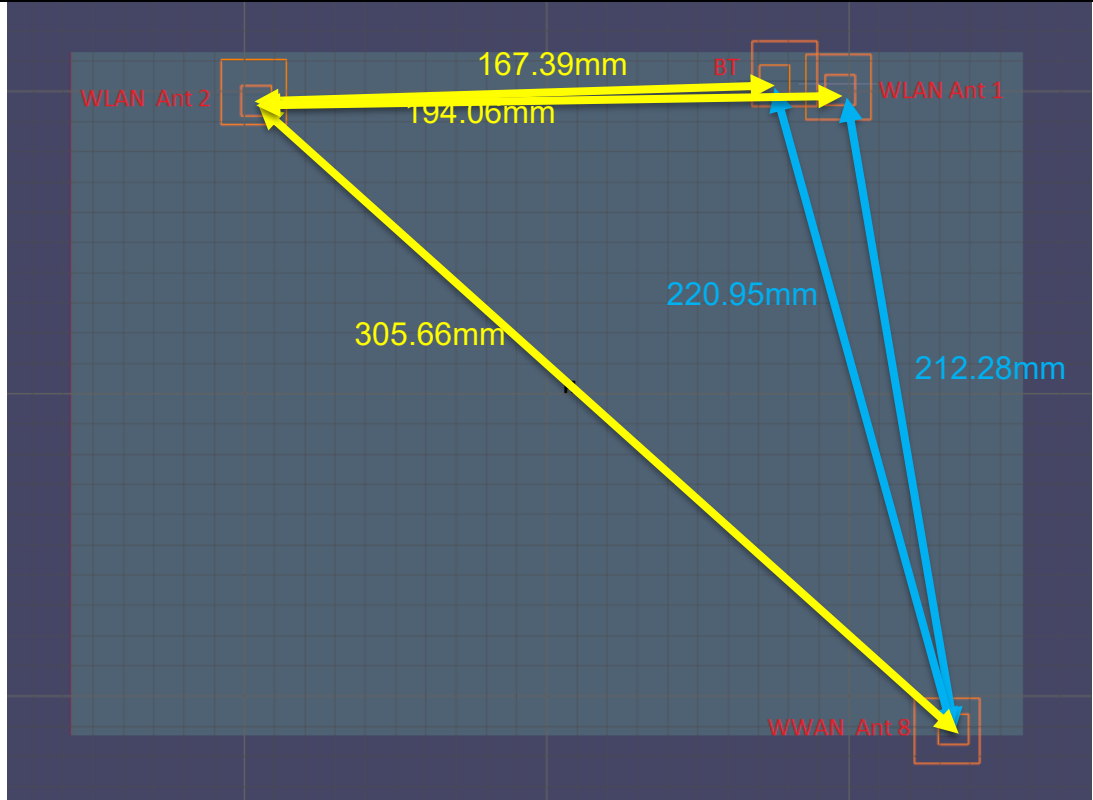


Unless otherwise stated the results shown in this test report refer only to the sample(s) tested and such sample(s) are retained for 90 days only.

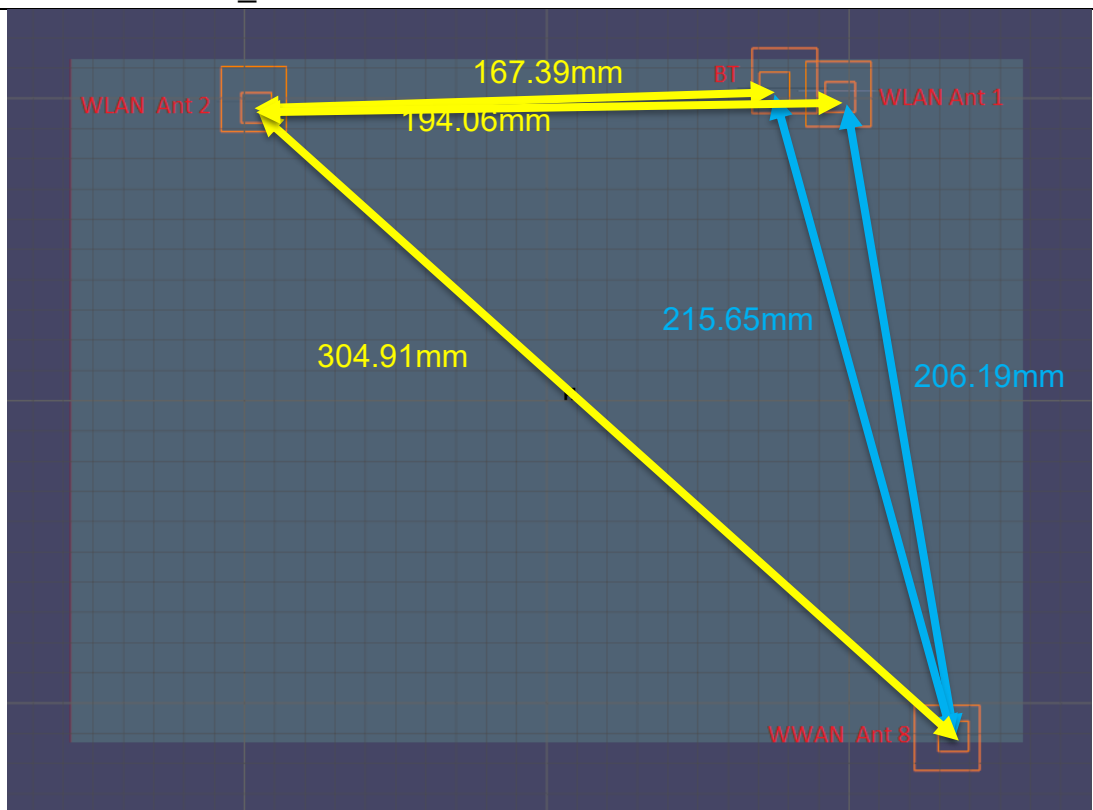
除非另有說明，此報告結果僅對測試之樣品負責，同時此樣品僅保留90天。本報告未經本公司書面許可，不可部份複製。

This document is issued by the Company subject to its General Conditions of Service printed overleaf, available on request or accessible at <http://www.sgs.com.tw/Terms-and-Conditions> and for electronic format documents, subject to Terms and Conditions for Electronic Documents at <http://www.sgs.com.tw/Terms-and-Conditions>. Attention is drawn to the limitation of liability, indemnification and jurisdiction issues defined therein. Any holder of this document is advised that information contained hereon reflects the Company's findings at the time of its intervention only and within the limits of Client's instructions, if any. The Company's sole responsibility is to its Client and this document does not exonerate parties to a transaction from exercising all their rights and obligations under the transaction documents. This document cannot be reproduced except in full, without prior written approval of the Company. Any unauthorized alteration, forgery or falsification of the content or appearance of this document is unlawful and offenders may be prosecuted to the fullest extent of the law.

NR n41_Ant 8 + WLAN5G Ant2 + WLAN5G Ant1 + BT Ant1



NR n77_Ant 8 + WLAN5G Ant2 + WLAN5G Ant1 + BT Ant1

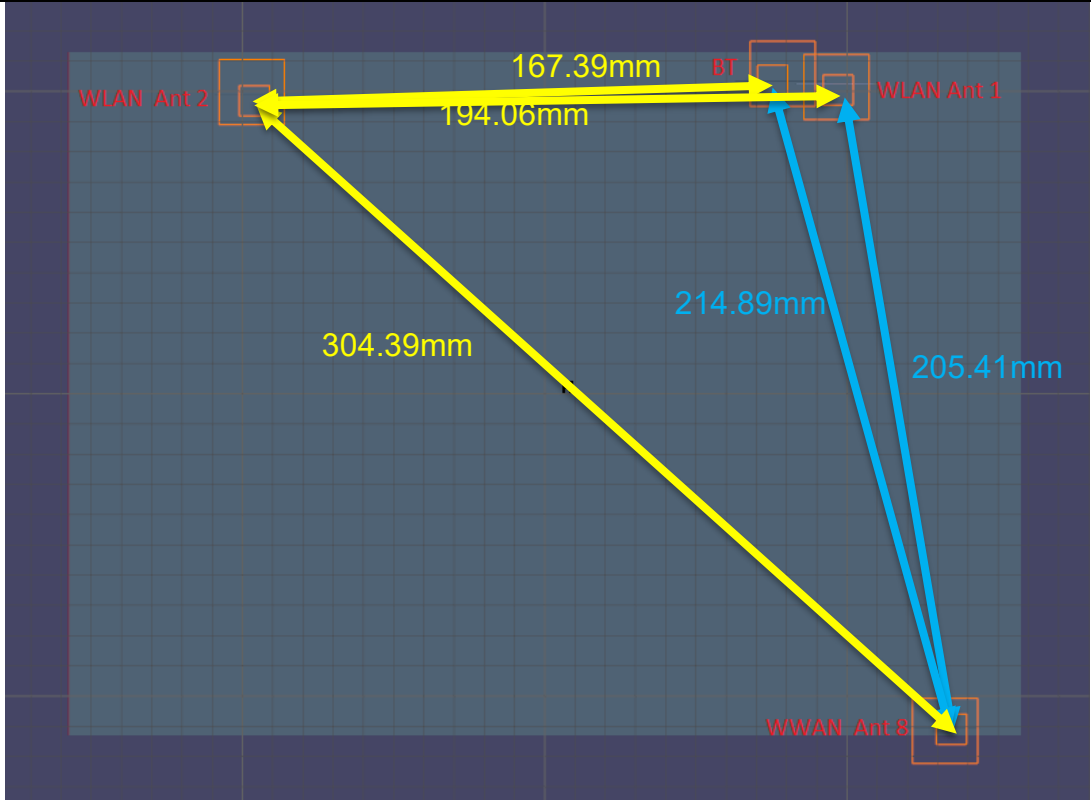


Unless otherwise stated the results shown in this test report refer only to the sample(s) tested and such sample(s) are retained for 90 days only.

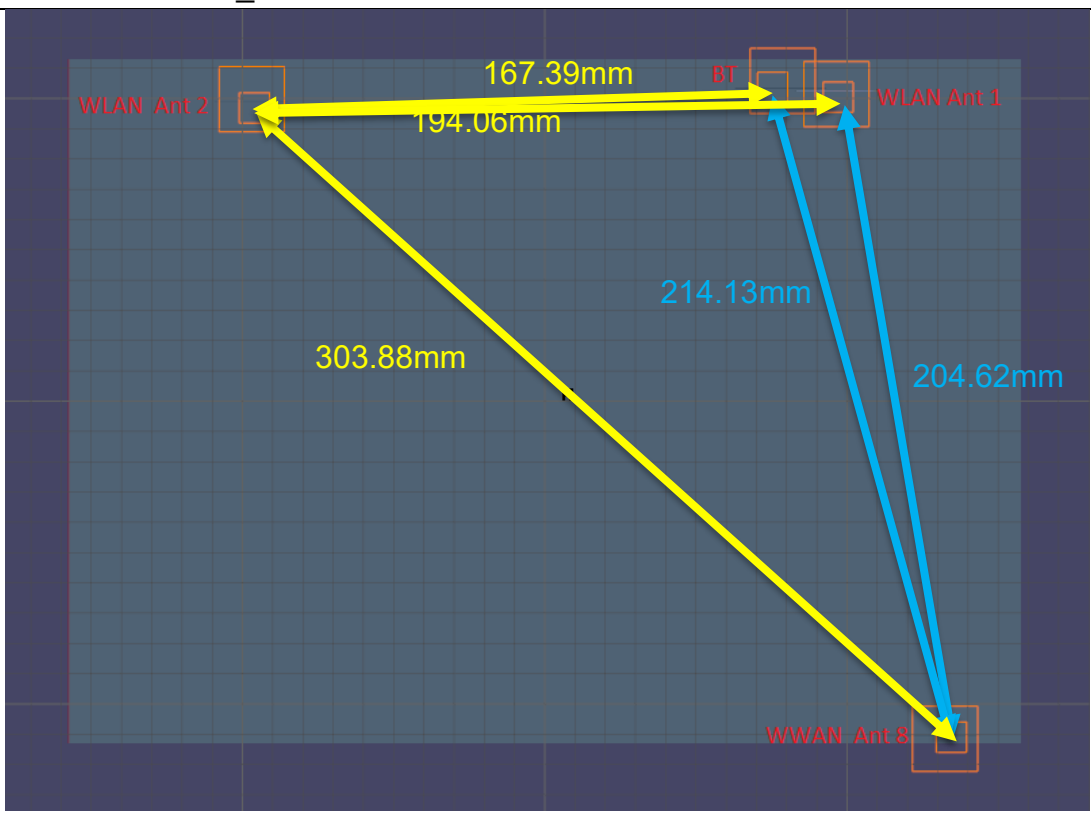
除非另有說明，此報告結果僅對測試之樣品負責，同時此樣品僅保留90天。本報告未經本公司書面許可，不可部份複製。

This document is issued by the Company subject to its General Conditions of Service printed overleaf, available on request or accessible at <http://www.sgs.com.tw/Terms-and-Conditions> and for electronic format documents, subject to Terms and Conditions for Electronic Documents at <http://www.sgs.com.tw/Terms-and-Conditions>. Attention is drawn to the limitation of liability, indemnification and jurisdiction issues defined therein. Any holder of this document is advised that information contained hereon reflects the Company's findings at the time of its intervention only and within the limits of Client's instructions, if any. The Company's sole responsibility is to its Client and this document does not exonerate parties to a transaction from exercising all their rights and obligations under the transaction documents. This document cannot be reproduced except in full, without prior written approval of the Company. Any unauthorized alteration, forgery or falsification of the content or appearance of this document is unlawful and offenders may be prosecuted to the fullest extent of the law.

NR n77 & n78_Ant 8 + WLAN5G Ant2 + WLAN5G Ant1 + BT Ant1



NR n78_Ant 8 + WLAN5G Ant2 + WLAN5G Ant1 + BT Ant1

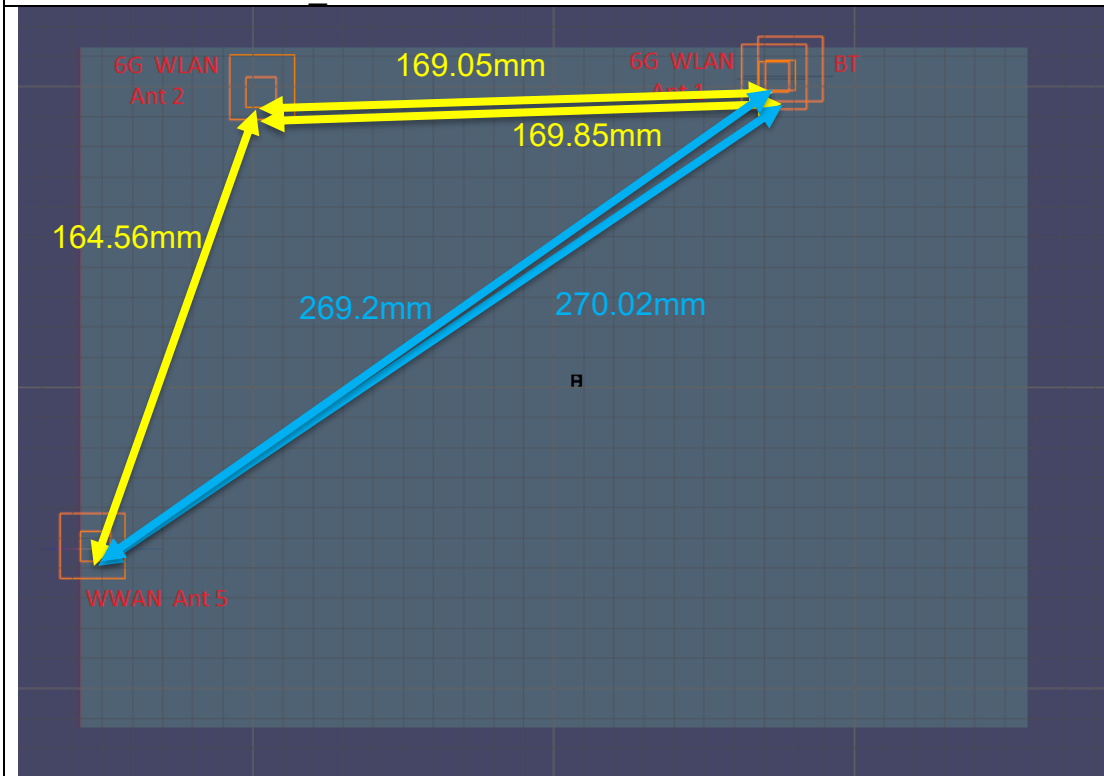


Unless otherwise stated the results shown in this test report refer only to the sample(s) tested and such sample(s) are retained for 90 days only.

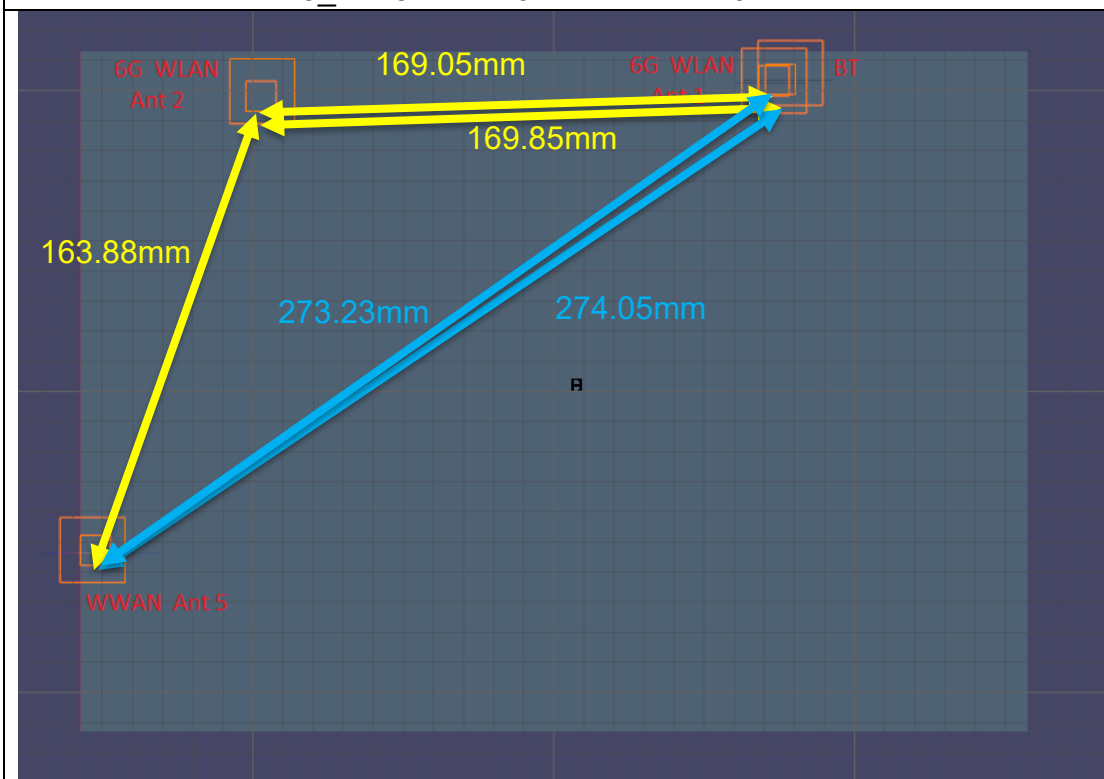
除非另有說明，此報告結果僅對測試之樣品負責，同時此樣品僅保留90天。本報告未經本公司書面許可，不可部份複製。

This document is issued by the Company subject to its General Conditions of Service printed overleaf, available on request or accessible at <http://www.sgs.com.tw/Terms-and-Conditions> and for electronic format documents, subject to Terms and Conditions for Electronic Documents at <http://www.sgs.com.tw/Terms-and-Conditions>. Attention is drawn to the limitation of liability, indemnification and jurisdiction issues defined therein. Any holder of this document is advised that information contained hereon reflects the Company's findings at the time of its intervention only and within the limits of Client's instructions, if any. The Company's sole responsibility is to its Client and this document does not exonerate parties to a transaction from exercising all their rights and obligations under the transaction documents. This document cannot be reproduced except in full, without prior written approval of the Company. Any unauthorized alteration, forgery or falsification of the content or appearance of this document is unlawful and offenders may be prosecuted to the fullest extent of the law.

LTE Band 7_Ant 5 + WIFI6E Ant2 + WIFI6E Ant1 + BT Ant1



LTE Band 25_Ant 5 + WIFI6E Ant2 + WIFI6E Ant1 + BT Ant1

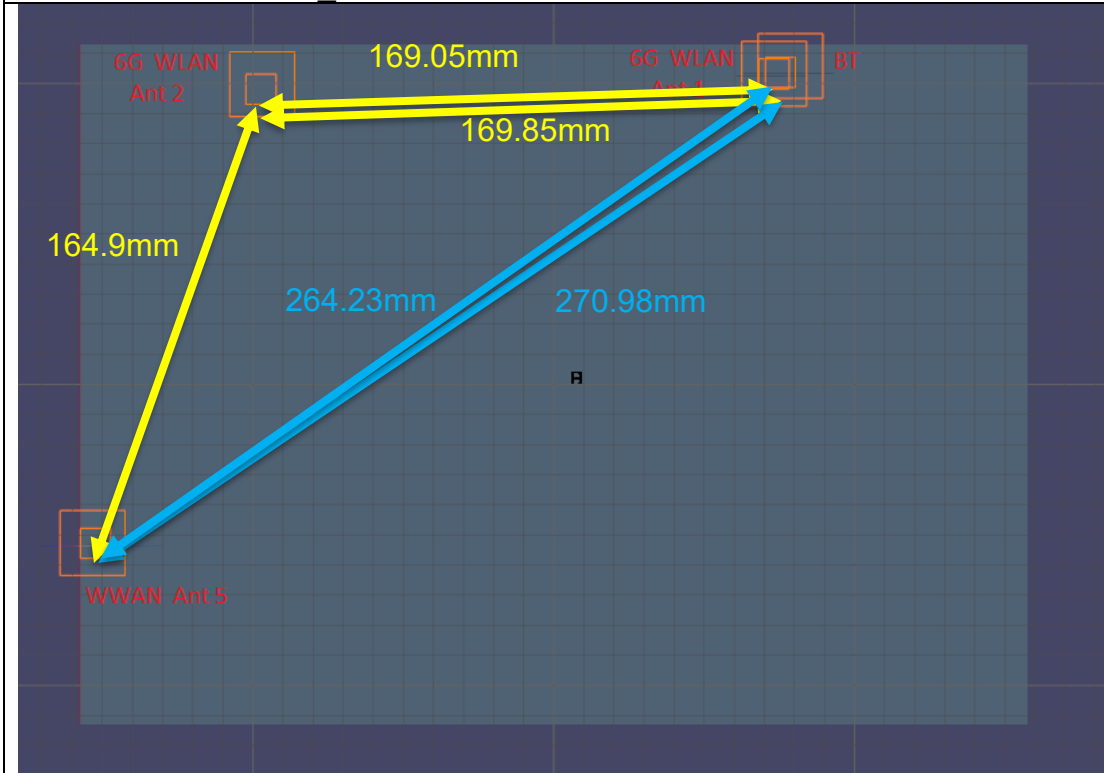


Unless otherwise stated the results shown in this test report refer only to the sample(s) tested and such sample(s) are retained for 90 days only.

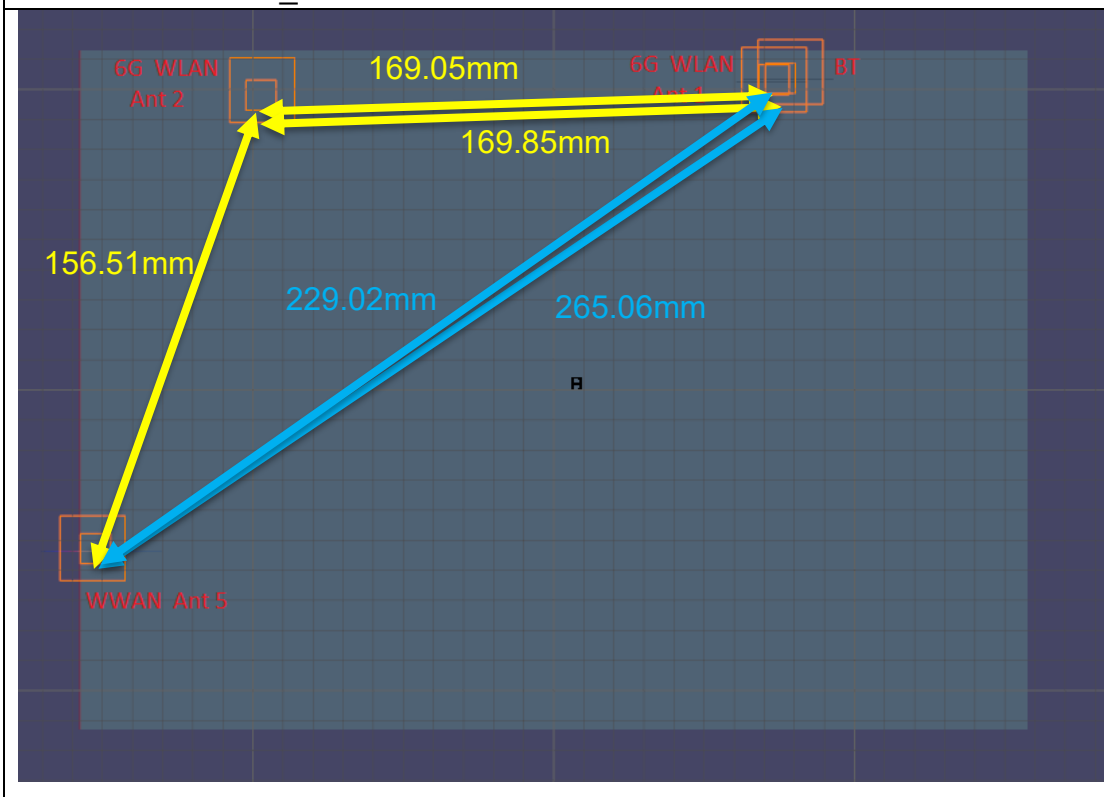
除非另有說明，此報告結果僅對測試之樣品負責，同時此樣品僅保留90天。本報告未經本公司書面許可，不可部份複製。

This document is issued by the Company subject to its General Conditions of Service printed overleaf, available on request or accessible at <http://www.sgs.com.tw/Terms-and-Conditions> and for electronic format documents, subject to Terms and Conditions for Electronic Documents at <http://www.sgs.com.tw/Terms-and-Conditions>. Attention is drawn to the limitation of liability, indemnification and jurisdiction issues defined therein. Any holder of this document is advised that information contained hereon reflects the Company's findings at the time of its intervention only and within the limits of Client's instructions, if any. The Company's sole responsibility is to its Client and this document does not exonerate parties to a transaction from exercising all their rights and obligations under the transaction documents. This document cannot be reproduced except in full, without prior written approval of the Company. Any unauthorized alteration, forgery or falsification of the content or appearance of this document is unlawful and offenders may be prosecuted to the fullest extent of the law.

LTE Band 41 Ant 5 + WIFI6E Ant2 + WIFI6E Ant1 + BT Ant1



NR n41_Ant 5 + WIFI6E Ant2 + WIFI6E Ant1 + BT Ant1

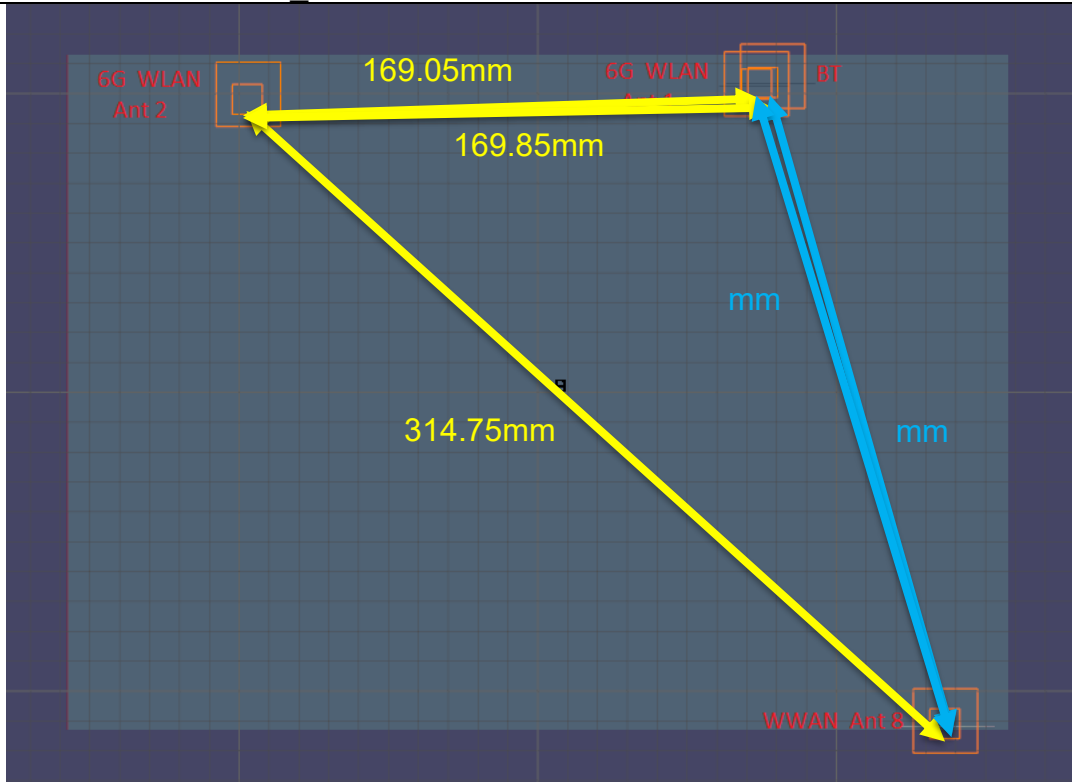


Unless otherwise stated the results shown in this test report refer only to the sample(s) tested and such sample(s) are retained for 90 days only.

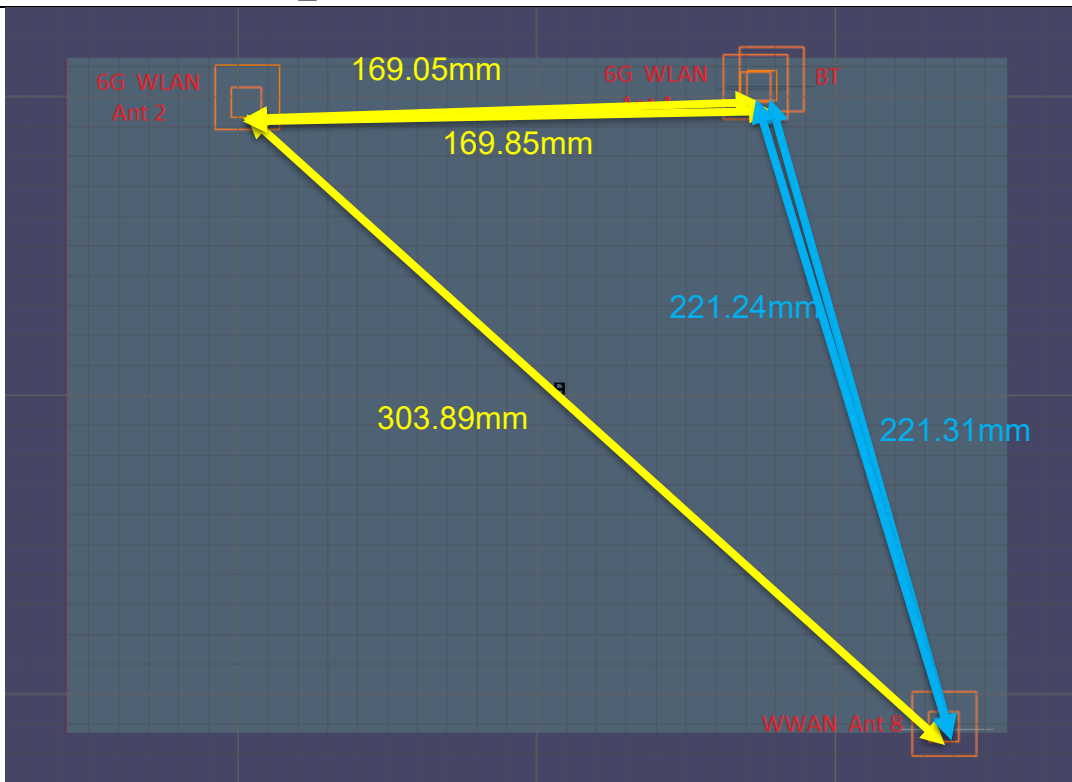
除非另有說明，此報告結果僅對測試之樣品負責，同時此樣品僅保留90天。本報告未經本公司書面許可，不可部份複製。

This document is issued by the Company subject to its General Conditions of Service printed overleaf, available on request or accessible at <http://www.sgs.com.tw/Terms-and-Conditions> and for electronic format documents, subject to Terms and Conditions for Electronic Documents at <http://www.sgs.com.tw/Terms-and-Conditions>. Attention is drawn to the limitation of liability, indemnification and jurisdiction issues defined therein. Any holder of this document is advised that information contained hereon reflects the Company's findings at the time of its intervention only and within the limits of Client's instructions, if any. The Company's sole responsibility is to its Client and this document does not exonerate parties to a transaction from exercising all their rights and obligations under the transaction documents. This document cannot be reproduced except in full, without prior written approval of the Company. Any unauthorized alteration, forgery or falsification of the content or appearance of this document is unlawful and offenders may be prosecuted to the fullest extent of the law.

LTE Band 7 Ant 8 + WIFI6E Ant2 + WIFI6E Ant1 + BT Ant1



LTE Band 30_Ant 8 + WIFI6E Ant2 + WIFI6E Ant1 + BT Ant1

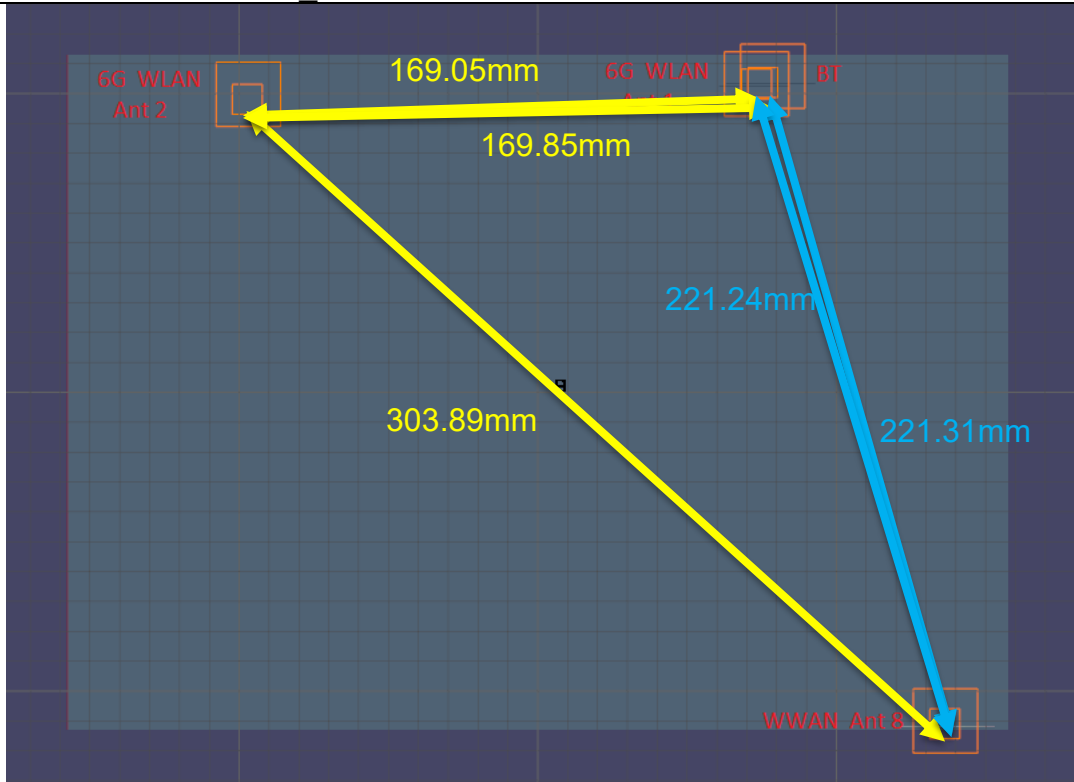


Unless otherwise stated the results shown in this test report refer only to the sample(s) tested and such sample(s) are retained for 90 days only.

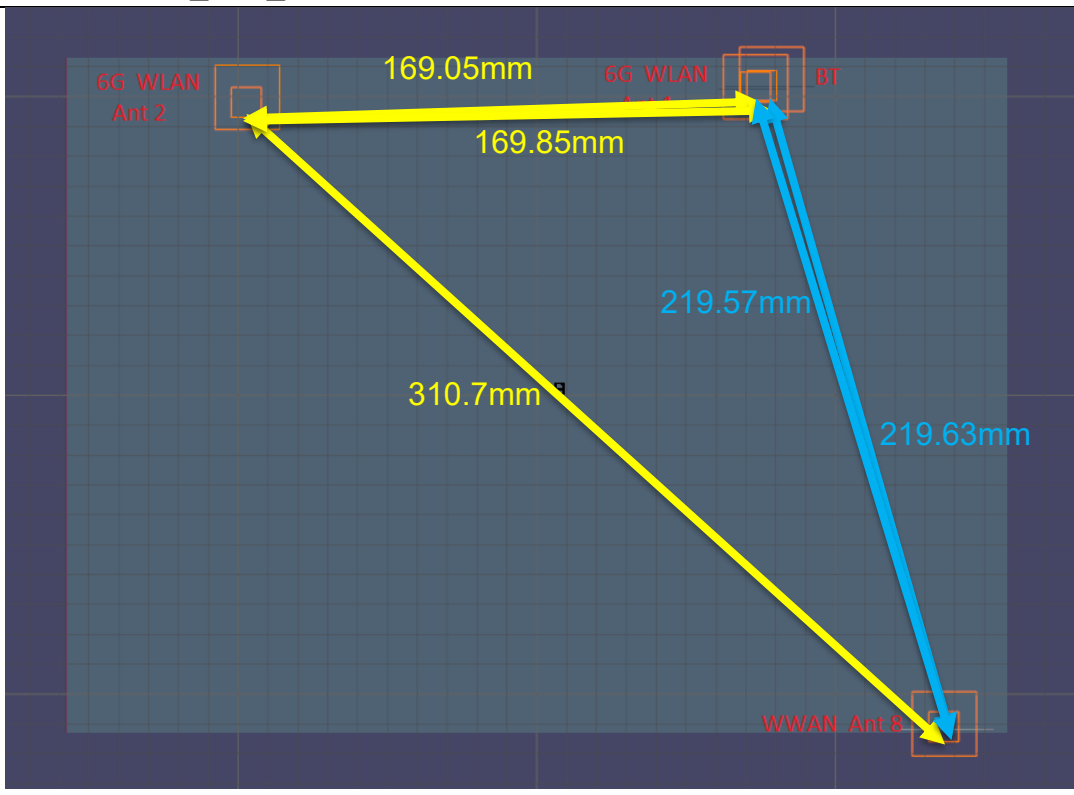
除非另有說明，此報告結果僅對測試之樣品負責，同時此樣品僅保留90天。本報告未經本公司書面許可，不可部份複製。

This document is issued by the Company subject to its General Conditions of Service printed overleaf, available on request or accessible at <http://www.sgs.com.tw/Terms-and-Conditions> and for electronic format documents, subject to Terms and Conditions for Electronic Documents at <http://www.sgs.com.tw/Terms-and-Conditions>. Attention is drawn to the limitation of liability, indemnification and jurisdiction issues defined therein. Any holder of this document is advised that information contained hereon reflects the Company's findings at the time of its intervention only and within the limits of Client's instructions, if any. The Company's sole responsibility is to its Client and this document does not exonerate parties to a transaction from exercising all their rights and obligations under the transaction documents. This document cannot be reproduced except in full, without prior written approval of the Company. Any unauthorized alteration, forgery or falsification of the content or appearance of this document is unlawful and offenders may be prosecuted to the fullest extent of the law.

LTE Band 41_Ant 8 + WIFI6E Ant2 + WIFI6E Ant1 + BT Ant1



CA_41C_Ant 8 + WIFI6E Ant2 + WIFI6E Ant1 + BT Ant1

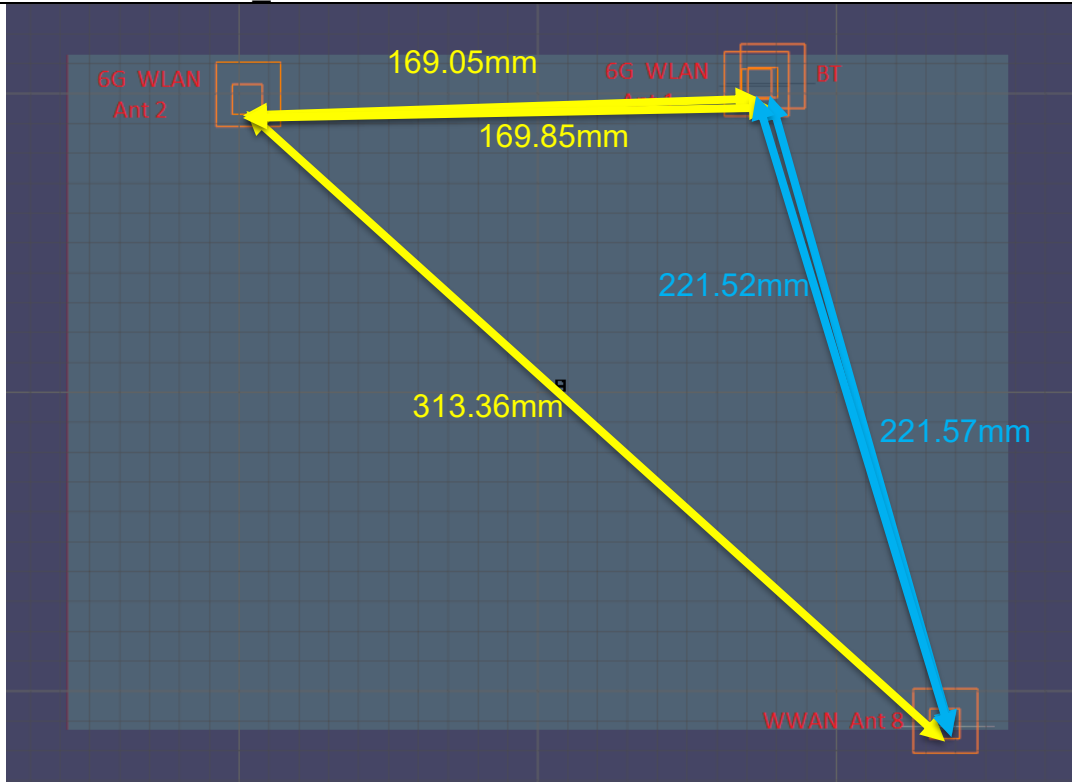


Unless otherwise stated the results shown in this test report refer only to the sample(s) tested and such sample(s) are retained for 90 days only.

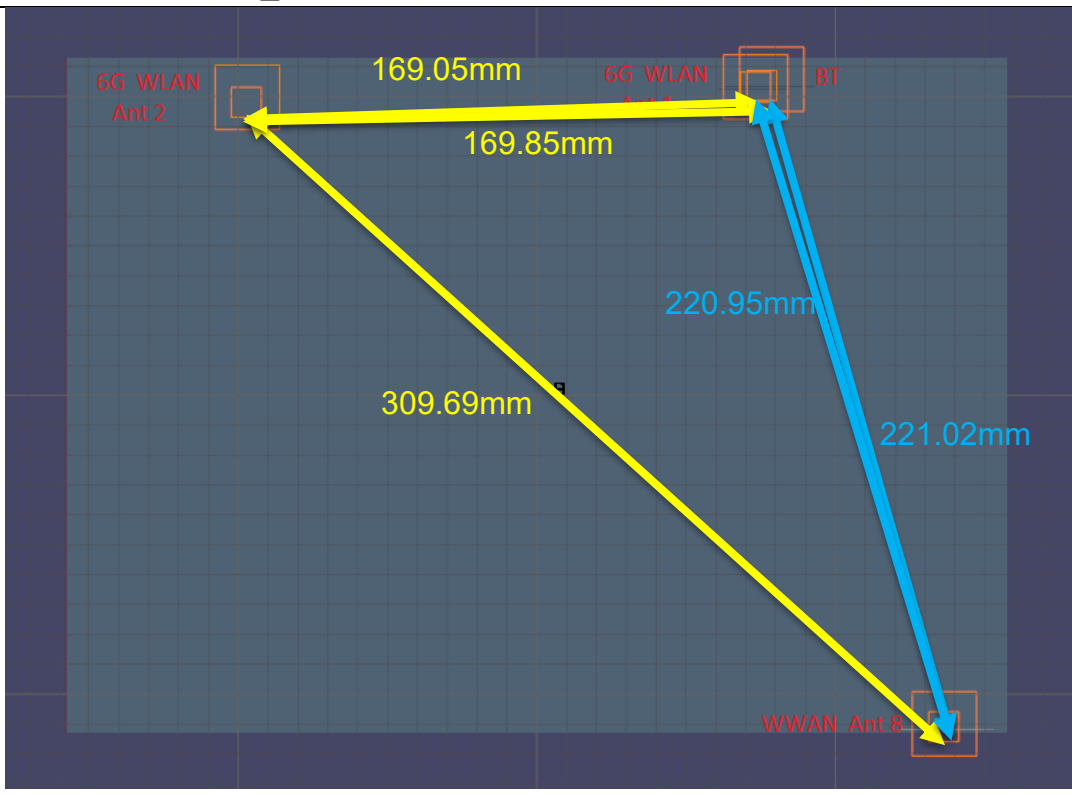
除非另有說明，此報告結果僅對測試之樣品負責，同時此樣品僅保留90天。本報告未經本公司書面許可，不可部份複製。

This document is issued by the Company subject to its General Conditions of Service printed overleaf, available on request or accessible at <http://www.sgs.com.tw/Terms-and-Conditions> and for electronic format documents, subject to Terms and Conditions for Electronic Documents at <http://www.sgs.com.tw/Terms-and-Conditions>. Attention is drawn to the limitation of liability, indemnification and jurisdiction issues defined therein. Any holder of this document is advised that information contained herein reflects the Company's findings at the time of its intervention only and within the limits of Client's instructions, if any. The Company's sole responsibility is to its Client and this document does not exonerate parties to a transaction from exercising all their rights and obligations under the transaction documents. This document cannot be reproduced except in full, without prior written approval of the Company. Any unauthorized alteration, forgery or falsification of the content or appearance of this document is unlawful and offenders may be prosecuted to the fullest extent of the law.

NR n2_Ant 8 + WIFI6E Ant2 + WIFI6E Ant1 + BT Ant1



NR n41_Ant 8 + WIFI6E Ant2 + WIFI6E Ant1 + BT Ant1



Unless otherwise stated the results shown in this test report refer only to the sample(s) tested and such sample(s) are retained for 90 days only.

除非另有說明，此報告結果僅對測試之樣品負責，同時此樣品僅保留90天。本報告未經本公司書面許可，不可部份複製。

This document is issued by the Company subject to its General Conditions of Service printed overleaf, available on request or accessible at <http://www.sgs.com.tw/Terms-and-Conditions> and for electronic format documents, subject to Terms and Conditions for Electronic Documents at <http://www.sgs.com.tw/Terms-and-Conditions>. Attention is drawn to the limitation of liability, indemnification and jurisdiction issues defined therein. Any holder of this document is advised that information contained herein reflects the Company's findings at the time of its intervention only and within the limits of Client's instructions, if any. The Company's sole responsibility is to its Client and this document does not exonerate parties to a transaction from exercising all their rights and obligations under the transaction documents. This document cannot be reproduced except in full, without prior written approval of the Company. Any unauthorized alteration, forgery or falsification of the content or appearance of this document is unlawful and offenders may be prosecuted to the fullest extent of the law.

Exposure Position	1	FCC Reported SAR											Scenario1		Scenario2		Scenario3		Scenario4		Scenario5		Scenario6		Scenario7		Scenario8									
		WLAN	2		3		4		5		6		7		8		9		10		11		12		13		14		15							
			1g SAR (W/kg)	1g SAR (W/kg)	2 GHz WLAN Ant 2	1g SAR (W/kg)	2 GHz WLAN Ant 1	1g SAR (W/kg)	2 GHz WLAN Ant 2	1g SAR (W/kg)	2 GHz WLAN Ant 1	Bluetooth Ant 1	1g SAR (W/kg)	2 GHz WLAN Ant 2	1g SAR (W/kg)	2 GHz WLAN Ant 1	Bluetooth Ant 1	1g SAR (W/kg)	2 GHz WLAN Ant 2	1g SAR (W/kg)	2 GHz WLAN Ant 1	Bluetooth Ant 1	1g SAR (W/kg)	2 GHz WLAN Ant 2	1g SAR (W/kg)	2 GHz WLAN Ant 1	Bluetooth Ant 1	1g SAR (W/kg)	2 GHz WLAN Ant 2	1g SAR (W/kg)	2 GHz WLAN Ant 1	Bluetooth Ant 1				
LTE Band 2_Ant 5	Bottom Surface	0	1.016	NR n77_FCC_Ant 8	0.998	0.426	0.335	1.159	1.169	0.033	0.280	0.251	2.275	2.473	4.342	3.208	4.375	2.545	2.327	2.578	2.383	2.981	3.650	3.814	3.983	2.153	1.985	2.188	2.383	2.981	3.650	3.814	3.983	2.153	1.985	2.188

Position	Conditions	SAR Value (W/kg)	Coordinates (mm)			ΣSAR (W/kg)	Peak Location Separation Distance (mm)	SPLSR	Simultaneous Transmission SAR Test
			x	y	z				
Bottom Surface	LTE Band 2_Ant 5	1.016	-55.00	150.00	-174.00	-	-	-	
	NR n77_FCC_Ant 8	0.998	-101.60	-137.20	-177.00	2.014	290.97	0.010	SPLSR ≤ 0.04, Not required
	NR n77 & n78_FCC_Ant 8	0.606	-100.80	-137.20	-177.00	1.622	290.84	0.007	SPLSR ≤ 0.04, Not required
	NR n78_FCC_Ant 8	0.819	-100.00	-137.20	-177.00	1.835	290.72	0.009	SPLSR ≤ 0.04, Not required
	CA_41C_Ant 8	1.071	-106.20	-135.60	-177.00	2.087	290.17	0.010	SPLSR ≤ 0.04, Not required

Position	Conditions	SAR Value (W/kg)	Coordinates (mm)			ΣSAR (W/kg)	Peak Location Separation Distance (mm)	SPLSR	Simultaneous Transmission SAR Test
			x	y	z				
Bottom Surface	LTE Band 5_Ant 5	0.712	-70.00	147.00	-174.00	-	-	-	
	NR n2_Ant 8	1.169	-107.50	-138.00	-177.00	1.881	287.47	0.009	SPLSR ≤ 0.04, Not required
	NR n66_Ant 8	1.005	-113.40	-133.00	-174.00	1.717	283.34	0.008	SPLSR ≤ 0.04, Not required
	NR n77_FCC_Ant 8	0.998	-101.60	-137.20	-177.00	1.710	285.97	0.008	SPLSR ≤ 0.04, Not required
	NR n77 & n78_FCC_Ant 8	0.606	-100.80	-137.20	-177.00	1.318	285.88	0.005	SPLSR ≤ 0.04, Not required
	NR n78_FCC_Ant 8	0.819	-100.00	-137.20	-177.00	1.531	285.79	0.007	SPLSR ≤ 0.04, Not required

Unless otherwise stated the results shown in this test report refer only to the sample(s) tested and such sample(s) are retained for 90 days only.

除非另有說明，此報告結果僅對測試之樣品負責，同時此樣品僅保留90天。本報告未經本公司書面許可，不可部份複製。

This document is issued by the Company subject to its General Conditions of Service printed overleaf, available on request or accessible at <http://www.sgs.com.tw/Terms-and-Conditions> and for electronic format documents, subject to Terms and Conditions for Electronic Documents at <http://www.sgs.com.tw/Terms-and-Conditions>. Attention is drawn to the limitation of liability, indemnification and jurisdiction issues defined therein. Any holder of this document is advised that information contained hereon reflects the Company's findings at the time of its intervention only and within the limits of Client's instructions, if any. The Company's sole responsibility is to its Client and this document does not exonerate parties to a transaction from exercising all their rights and obligations under the transaction documents. This document cannot be reproduced except in full, without prior written approval of the Company. Any unauthorized alteration, forgery or falsification of the content or appearance of this document is unlawful and offenders may be prosecuted to the fullest extent of the law.

LTE Band 7_Ant 5									
Position	Conditions	SAR Value (W/kg)	Coordinates (mm)			ΣSAR (W/kg)	Peak Location Separation Distance (mm)	SPLSR	Simultaneous Transmission SAR Test
			x	y	z				
Bottom Surface	LTE Band 7_Ant 5	1.052	-58.00	142.80	-174.00	-	-	-	-
	NR n77_FCC_Ant 8	0.998	-101.60	-137.20	-177.00	2.050	283.39	0.010	SPLSR ≤ 0.04, Not required
	NR n77 & n78_FCC_Ant 8	0.606	-100.80	-137.20	-177.00	1.658	283.27	0.008	SPLSR ≤ 0.04, Not required
	NR n78_FCC_Ant 8	0.819	-100.00	-137.20	-177.00	1.871	283.15	0.009	SPLSR ≤ 0.04, Not required

CA_7C_Ant 5									
Position	Conditions	SAR Value (W/kg)	Coordinates (mm)			ΣSAR (W/kg)	Peak Location Separation Distance (mm)	SPLSR	Simultaneous Transmission SAR Test
			x	y	z				
Bottom Surface	CA_7C_Ant 5	0.926	-58.50	142.30	-177.90	-	-	-	-
	NR n77_FCC_Ant 8	0.998	-101.60	-137.20	-177.00	1.924	282.81	0.009	SPLSR ≤ 0.04, Not required
	NR n77 & n78_FCC_Ant 8	0.606	-100.80	-137.20	-177.00	1.532	282.68	0.007	SPLSR ≤ 0.04, Not required
	NR n78_FCC_Ant 8	0.819	-100.00	-137.20	-177.00	1.745	282.57	0.008	SPLSR ≤ 0.04, Not required

LTE Band 12_Ant 5									
Position	Conditions	SAR Value (W/kg)	Coordinates (mm)			ΣSAR (W/kg)	Peak Location Separation Distance (mm)	SPLSR	Simultaneous Transmission SAR Test
			x	y	z				
Bottom Surface	LTE Band 12_Ant 5	0.935	-70.00	150.00	-174.00	-	-	-	-
	NR n2_Ant 8	1.169	-107.50	-138.00	-177.00	2.104	290.45	0.011	SPLSR ≤ 0.04, Not required
	NR n66_Ant 8	1.005	-113.40	-133.00	-174.00	1.940	286.31	0.009	SPLSR ≤ 0.04, Not required
	NR n77_FCC_Ant 8	0.998	-101.60	-137.20	-177.00	1.933	288.95	0.009	SPLSR ≤ 0.04, Not required
	NR n77 & n78_FCC_Ant 8	0.606	-100.80	-137.20	-177.00	1.541	288.86	0.007	SPLSR ≤ 0.04, Not required

LTE Band 13_Ant 5									
Position	Conditions	SAR Value (W/kg)	Coordinates (mm)			ΣSAR (W/kg)	Peak Location Separation Distance (mm)	SPLSR	Simultaneous Transmission SAR Test
			x	y	z				
Bottom Surface	LTE Band 13_Ant 5	0.851	-70.00	150.50	-174.00	-	-	-	-
	NR n2_Ant 8	1.169	-107.50	-138.00	-177.00	2.020	290.94	0.010	SPLSR ≤ 0.04, Not required
	NR n66_Ant 8	1.005	-113.40	-133.00	-174.00	1.856	286.80	0.009	SPLSR ≤ 0.04, Not required
	NR n77_FCC_Ant 8	0.998	-101.60	-137.20	-177.00	1.849	289.45	0.009	SPLSR ≤ 0.04, Not required
	NR n77 & n78_FCC_Ant 8	0.606	-100.80	-137.20	-177.00	1.457	289.36	0.006	SPLSR ≤ 0.04, Not required

Unless otherwise stated the results shown in this test report refer only to the sample(s) tested and such sample(s) are retained for 90 days only.

除非另有說明，此報告結果僅對測試之樣品負責，同時此樣品僅保留90天。本報告未經本公司書面許可，不可部份複製。

This document is issued by the Company subject to its General Conditions of Service printed overleaf, available on request or accessible at <http://www.sgs.com.tw/Terms-and-Conditions>, and for electronic format documents, subject to Terms and Conditions for Electronic Documents at <http://www.sgs.com.tw/Terms-and-Conditions>. Attention is drawn to the limitation of liability, indemnification and jurisdiction issues defined therein. Any holder of this document is advised that information contained hereon reflects the Company's findings at the time of its intervention only and within the limits of Client's instructions, if any. The Company's sole responsibility is to its Client and this document does not exonerate parties to a transaction from exercising all their rights and obligations under the transaction documents. This document cannot be reproduced except in full, without prior written approval of the Company. Any unauthorized alteration, forgery or falsification of the content or appearance of this document is unlawful and offenders may be prosecuted to the fullest extent of the law.

LTE Band 14_Ant 5									
Position	Conditions	SAR Value (W/kg)	Coordinates (mm)			ΣSAR (W/kg)	Peak Location Separation Distance (mm)	SPLSR	Simultaneous Transmission SAR Test
			x	y	z				
Bottom Surface	LTE Band 14_Ant 5	0.823	-70.00	148.50	-174.70	-	-	-	-
	NR n2_Ant 8	1.169	-107.50	-138.00	-177.00	1.992	2889.53	0.001	SPLSR ≤ 0.04, Not required
	NR n77_FCC_Ant 8	0.998	-101.60	-137.20	-177.00	1.821	2874.51	0.001	SPLSR ≤ 0.04, Not required
	NR n77 & n78_FCC_Ant 8	0.606	-100.80	-137.20	-177.00	1.429	2873.65	0.001	SPLSR ≤ 0.04, Not required

LTE Band 30_Ant 5									
Position	Conditions	SAR Value (W/kg)	Coordinates (mm)			ΣSAR (W/kg)	Peak Location Separation Distance (mm)	SPLSR	Simultaneous Transmission SAR Test
			x	y	z				
Bottom Surface	LTE Band 30_Ant 5	0.974	-46.00	154.80	-174.60	-	-	-	-
	NR n77_FCC_Ant 8	0.998	-101.60	-137.20	-177.00	1.972	297.26	0.009	SPLSR ≤ 0.04, Not required
	NR n77 & n78_FCC_Ant 8	0.606	-100.80	-137.20	-177.00	1.580	297.11	0.007	SPLSR ≤ 0.04, Not required

LTE Band 66_Ant 5									
Position	Conditions	SAR Value (W/kg)	Coordinates (mm)			ΣSAR (W/kg)	Peak Location Separation Distance (mm)	SPLSR	Simultaneous Transmission SAR Test
			x	y	z				
Bottom Surface	LTE Band 66_Ant 5	0.960	-55.00	150.00	-174.70	-	-	-	-
	NR n41_Ant 8	1.064	-108.70	-132.00	-174.00	2.024	287.07	0.010	SPLSR ≤ 0.04, Not required
	NR n77_FCC_Ant 8	0.998	-101.60	-137.20	-177.00	1.958	290.97	0.009	SPLSR ≤ 0.04, Not required
	NR n77 & n78_FCC_Ant 8	0.606	-100.80	-137.20	-177.00	1.566	290.84	0.007	SPLSR ≤ 0.04, Not required

LTE Band 38_Ant 5									
Position	Conditions	SAR Value (W/kg)	Coordinates (mm)			ΣSAR (W/kg)	Peak Location Separation Distance (mm)	SPLSR	Simultaneous Transmission SAR Test
			x	y	z				
Bottom Surface	LTE Band 38_Ant 5	1.010	-56.80	142.80	-174.70	2.026	-	-	-
	NR n77 & n78_FCC_Ant 8	0.606	-100.80	-137.20	-177.00	1.616	283.45	0.007	SPLSR ≤ 0.04, Not required
	NR n78_FCC_Ant 8	0.819	-100.00	-137.20	-177.00	1.829	283.32	0.009	SPLSR ≤ 0.04, Not required

LTE Band 41_Ant 5									
Position	Conditions	SAR Value (W/kg)	Coordinates (mm)			ΣSAR (W/kg)	Peak Location Separation Distance (mm)	SPLSR	Simultaneous Transmission SAR Test
			x	y	z				
Bottom Surface	LTE Band 41_Ant 5	0.988	-58.00	144.00	-174.70	-	-	-	-
	NR n41_Ant 8	1.064	-108.70	-132.00	-174.00	2.052	2806.19	0.001	SPLSR ≤ 0.04, Not required
	NR n77_FCC_Ant 8	0.998	-101.60	-137.20	-177.00	1.986	2845.69	0.001	SPLSR ≤ 0.04, Not required
	NR n77 & n78_FCC_Ant 8	0.606	-100.80	-137.20	-177.00	1.594	2844.48	0.001	SPLSR ≤ 0.04, Not required

Unless otherwise stated the results shown in this test report refer only to the sample(s) tested and such sample(s) are retained for 90 days only.

除非另有說明，此報告結果僅對測試之樣品負責，同時此樣品僅保留90天。本報告未經本公司書面許可，不可部份複製。

This document is issued by the Company subject to its General Conditions of Service printed overleaf, available on request or accessible at <http://www.sgs.com.tw/Terms-and-Conditions>, and for electronic format documents, subject to Terms and Conditions for Electronic Documents at <http://www.sgs.com.tw/Terms-and-Conditions>. Attention is drawn to the limitation of liability, indemnification and jurisdiction issues defined therein. Any holder of this document is advised that information contained hereon reflects the Company's findings at the time of its intervention only and within the limits of Client's instructions, if any. The Company's sole responsibility is to its Client and this document does not exonerate parties to a transaction from exercising all their rights and obligations under the transaction documents. This document cannot be reproduced except in full, without prior written approval of the Company. Any unauthorized alteration, forgery or falsification of the content or appearance of this document is unlawful and offenders may be prosecuted to the fullest extent of the law.

NR n5_Ant 5									
Position	Conditions	SAR Value (W/kg)	Coordinates (mm)			ΣSAR (W/kg)	Peak Location Separation Distance (mm)	SPLSR	Simultaneous Transmission SAR Test
			x	y	z				
Bottom Surface	NR n5_Ant 5	0.762	-70.00	148.50	-174.00	-	-	-	-
	LTE Band 2_Ant 8	0.836	-112.40	-136.00	-174.00	1.598	287.64	0.007	SPLSR ≤ 0.04, Not required
	LTE Band 7_Ant 8	1.183	-117.40	-130.80	-174.00	1.945	283.29	0.010	SPLSR ≤ 0.04, Not required
	LTE Band 30_Ant 8	1.054	-108.00	-134.00	-177.00	1.816	285.06	0.009	SPLSR ≤ 0.04, Not required
	LTE Band 66_Ant 8	0.943	-113.50	-135.00	-174.00	1.705	286.82	0.008	SPLSR ≤ 0.04, Not required
	LTE Band 48_Ant 8	0.831	-101.20	-137.00	-177.00	1.593	287.22	0.007	SPLSR ≤ 0.04, Not required

NR n66_Ant 5									
Position	Conditions	SAR Value (W/kg)	Coordinates (mm)			ΣSAR (W/kg)	Peak Location Separation Distance (mm)	SPLSR	Simultaneous Transmission SAR Test
			x	y	z				
Bottom Surface	NR n66_Ant 5	0.989	-55.00	150.00	-174.70	-	-	-	-
	LTE Band 48_Ant 8	0.831	-101.20	-137.00	-177.00	1.820	290.70	0.008	SPLSR ≤ 0.04, Not required

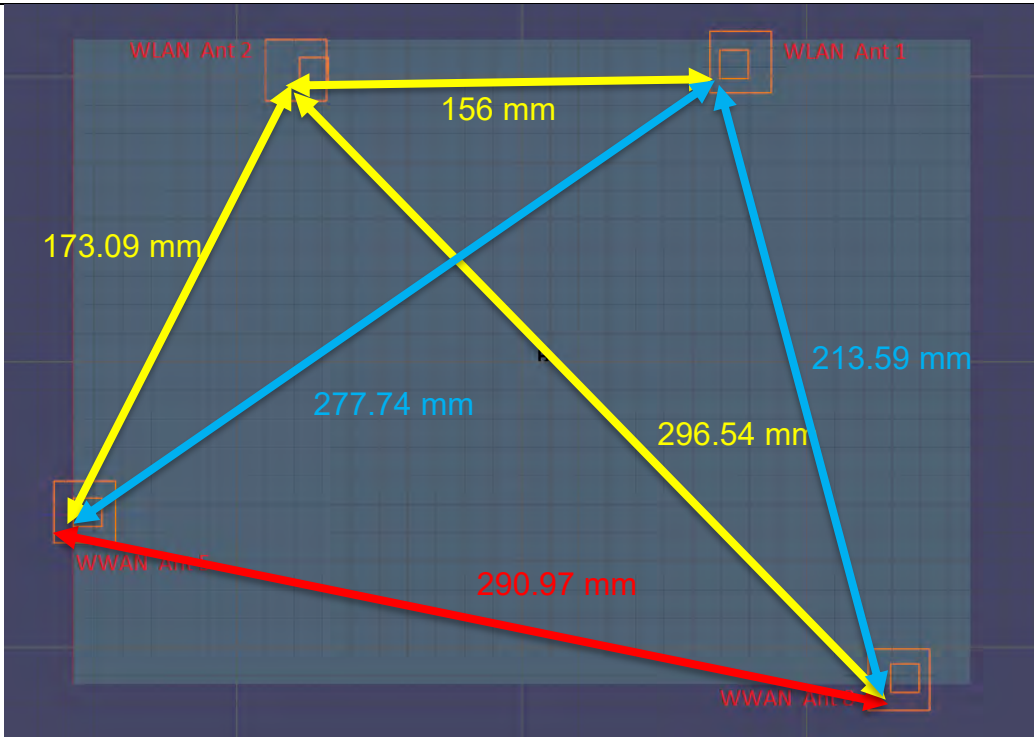
NR n71_Ant 5									
Position	Conditions	SAR Value (W/kg)	Coordinates (mm)			ΣSAR (W/kg)	Peak Location Separation Distance (mm)	SPLSR	Simultaneous Transmission SAR Test
			x	y	z				
Bottom Surface	NR n71_Ant 5	0.675	-71.50	150.00	-174.80	-	-	-	-
	LTE Band 2_Ant 8	0.836	-112.40	-136.00	-174.00	1.511	288.91	0.006	SPLSR ≤ 0.04, Not required
	LTE Band 66_Ant 8	0.943	-113.50	-135.00	-174.00	1.618	288.08	0.007	SPLSR ≤ 0.04, Not required

Unless otherwise stated the results shown in this test report refer only to the sample(s) tested and such sample(s) are retained for 90 days only.

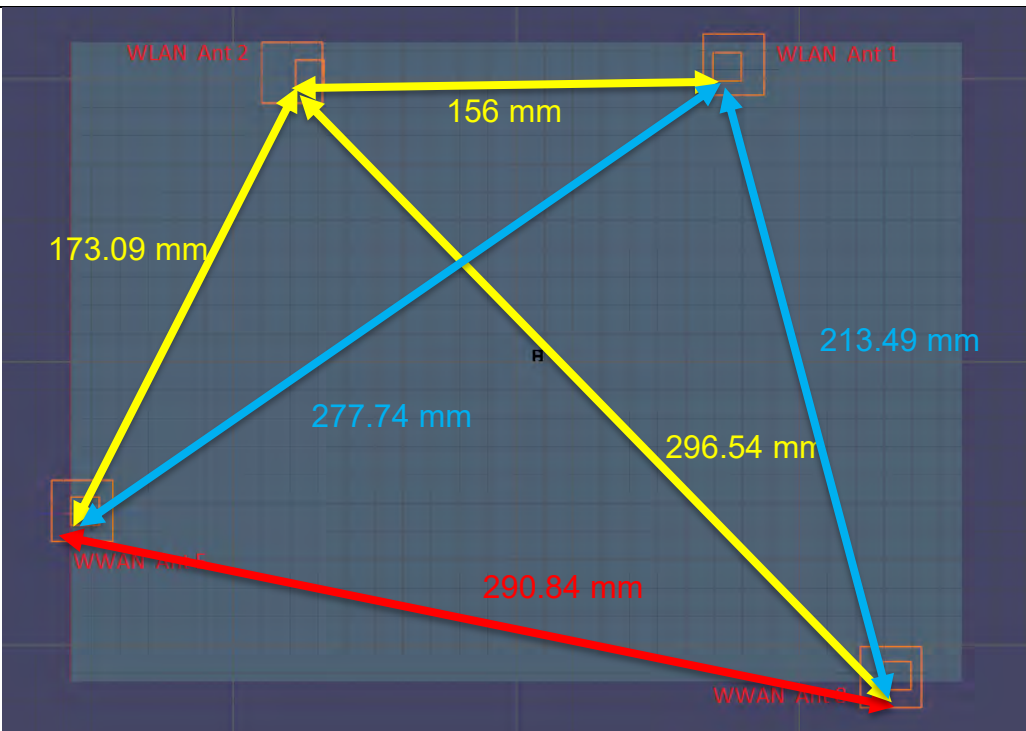
除非另有說明，此報告結果僅對測試之樣品負責，同時此樣品僅保留90天。本報告未經本公司書面許可，不可部份複製。

This document is issued by the Company subject to its General Conditions of Service printed overleaf, available on request or accessible at <http://www.sgs.com.tw/Terms-and-Conditions>, and for electronic format documents, subject to Terms and Conditions for Electronic Documents at <http://www.sgs.com.tw/Terms-and-Conditions>. Attention is drawn to the limitation of liability, indemnification and jurisdiction issues defined therein. Any holder of this document is advised that information contained hereon reflects the Company's findings at the time of its intervention only and within the limits of Client's instructions, if any. The Company's sole responsibility is to its Client and this document does not exonerate parties to a transaction from exercising all their rights and obligations under the transaction documents. This document cannot be reproduced except in full, without prior written approval of the Company. Any unauthorized alteration, forgery or falsification of the content or appearance of this document is unlawful and offenders may be prosecuted to the fullest extent of the law.

LTE Band 2_Ant 5+ NR n77_FCC_Ant 8 + 2.4GHz WLAN Ant 2+2.4GHz WLAN Ant 1



LTE Band 2_Ant 5+ NR n77 & n78_FCC_Ant 8 + 2.4GHz WLAN Ant 2+2.4GHz WLAN Ant 1

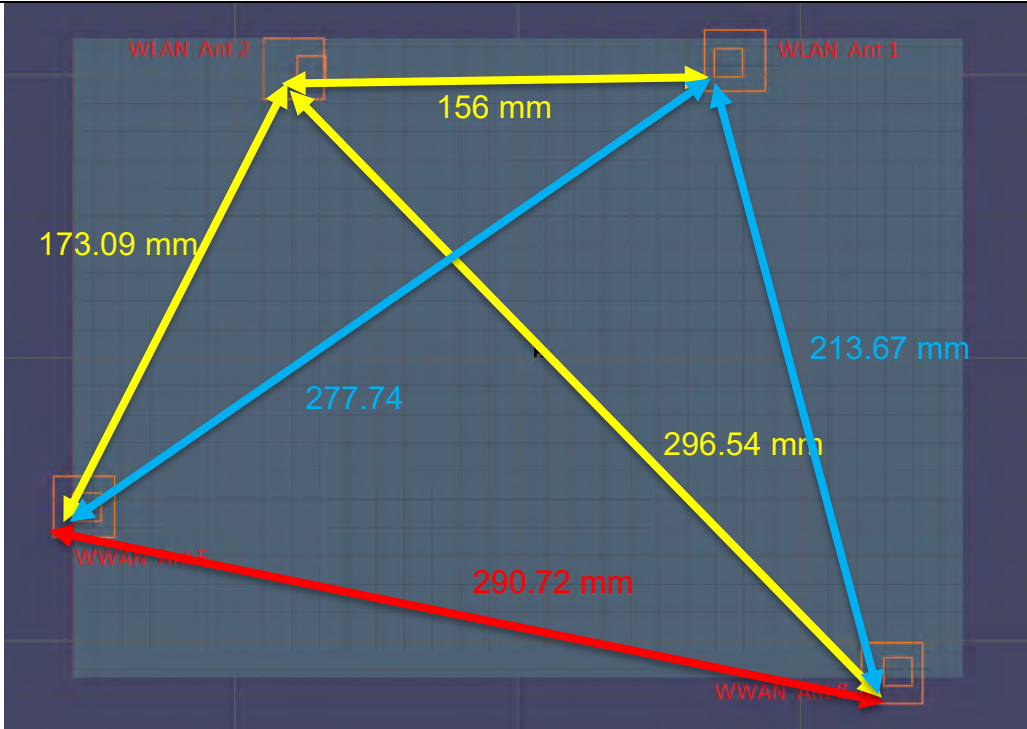


Unless otherwise stated the results shown in this test report refer only to the sample(s) tested and such sample(s) are retained for 90 days only.

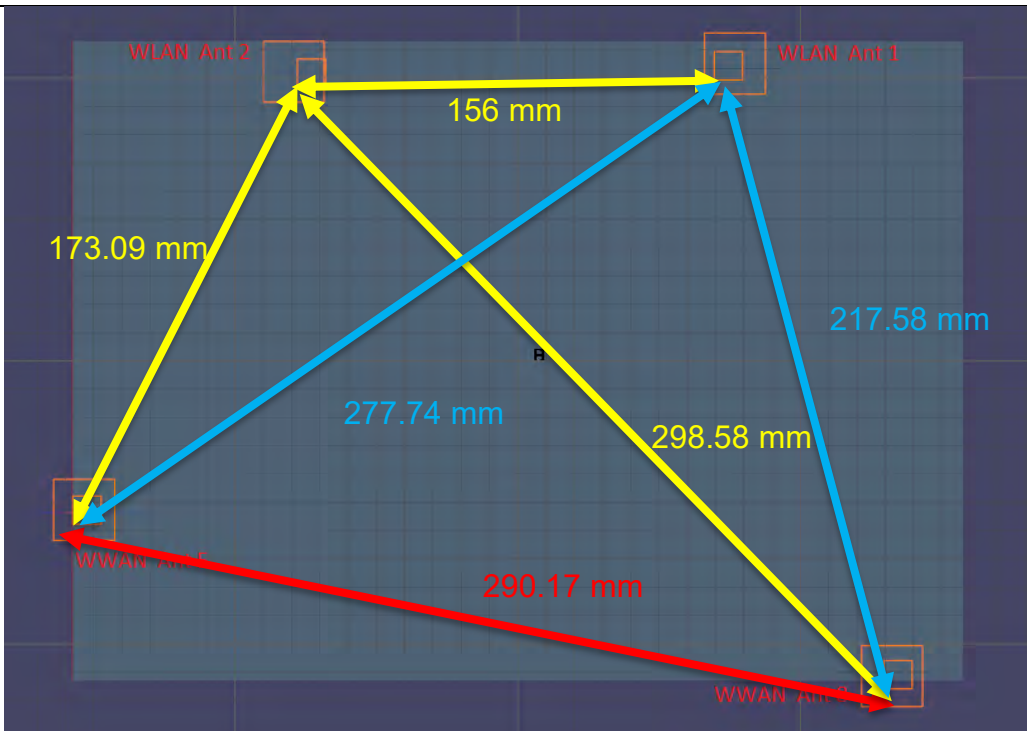
除非另有說明，此報告結果僅對測試之樣品負責，同時此樣品僅保留90天。本報告未經本公司書面許可，不可部份複製。

This document is issued by the Company subject to its General Conditions of Service printed overleaf, available on request or accessible at <http://www.sgs.com.tw/Terms-and-Conditions> and for electronic format documents, subject to Terms and Conditions for Electronic Documents at <http://www.sgs.com.tw/Terms-and-Conditions>. Attention is drawn to the limitation of liability, indemnification and jurisdiction issues defined therein. Any holder of this document is advised that information contained hereon reflects the Company's findings at the time of its intervention only and within the limits of Client's instructions, if any. The Company's sole responsibility is to its Client and this document does not exonerate parties to a transaction from exercising all their rights and obligations under the transaction documents. This document cannot be reproduced except in full, without prior written approval of the Company. Any unauthorized alteration, forgery or falsification of the content or appearance of this document is unlawful and offenders may be prosecuted to the fullest extent of the law.

LTE Band 2_Ant 5+ NR n78_FCC_Ant 8 + 2.4GHz WLAN Ant 2+2.4GHz WLAN Ant 1



LTE Band 2_Ant 5+ CA_41C_Ant 8 + 2.4GHz WLAN Ant 2+2.4GHz WLAN Ant 1

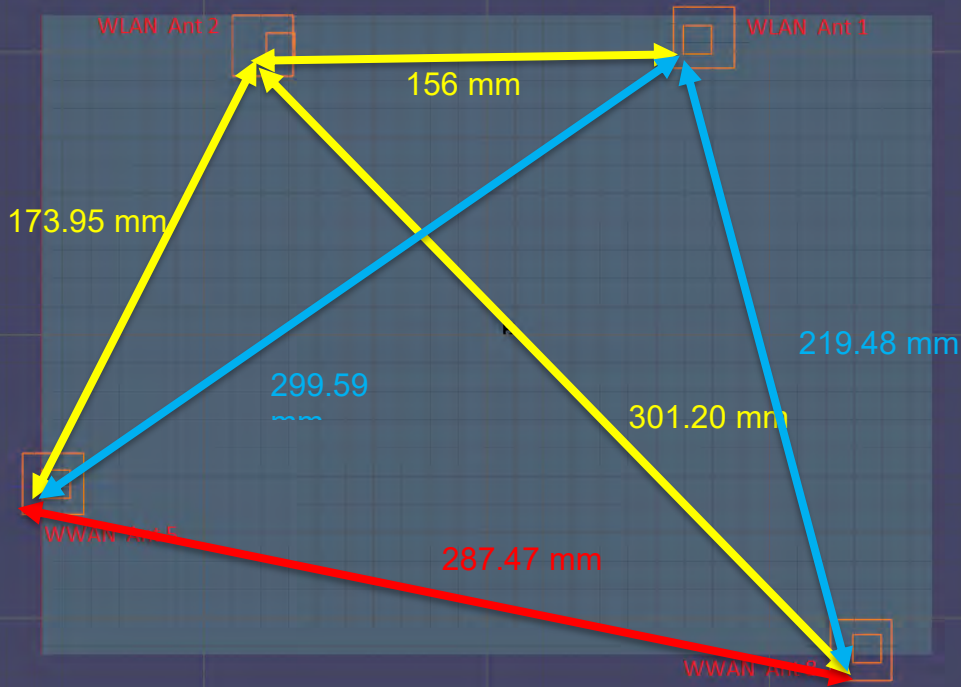


Unless otherwise stated the results shown in this test report refer only to the sample(s) tested and such sample(s) are retained for 90 days only.

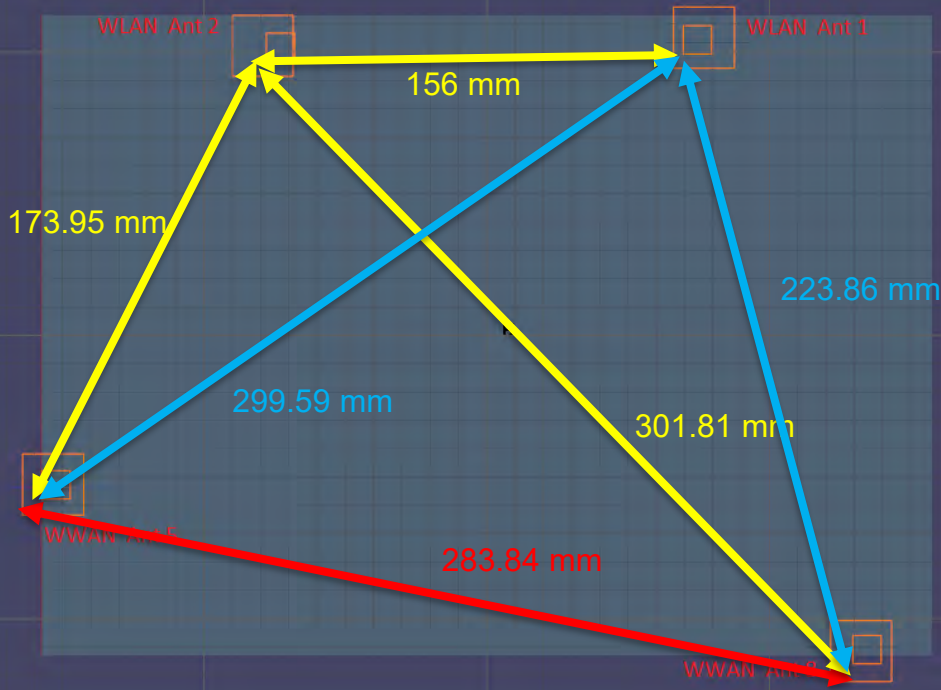
除非另有說明，此報告結果僅對測試之樣品負責，同時此樣品僅保留90天。本報告未經本公司書面許可，不可部份複製。

This document is issued by the Company subject to its General Conditions of Service printed overleaf, available on request or accessible at <http://www.sgs.com.tw/Terms-and-Conditions> and for electronic format documents, subject to Terms and Conditions for Electronic Documents at <http://www.sgs.com.tw/Terms-and-Conditions>. Attention is drawn to the limitation of liability, indemnification and jurisdiction issues defined therein. Any holder of this document is advised that information contained herein reflects the Company's findings at the time of its intervention only and within the limits of Client's instructions, if any. The Company's sole responsibility is to its Client and this document does not exonerate parties to a transaction from exercising all their rights and obligations under the transaction documents. This document cannot be reproduced except in full, without prior written approval of the Company. Any unauthorized alteration, forgery or falsification of the content or appearance of this document is unlawful and offenders may be prosecuted to the fullest extent of the law.

LTE Band 5 Ant 5+ NR n2_Ant 8 + 2.4GHz WLAN Ant 2+2.4GHz WLAN Ant 1



LTE Band 5_Ant 5+ NR n66_Ant 8 + 2.4GHz WLAN Ant 2+2.4GHz WLAN Ant 1

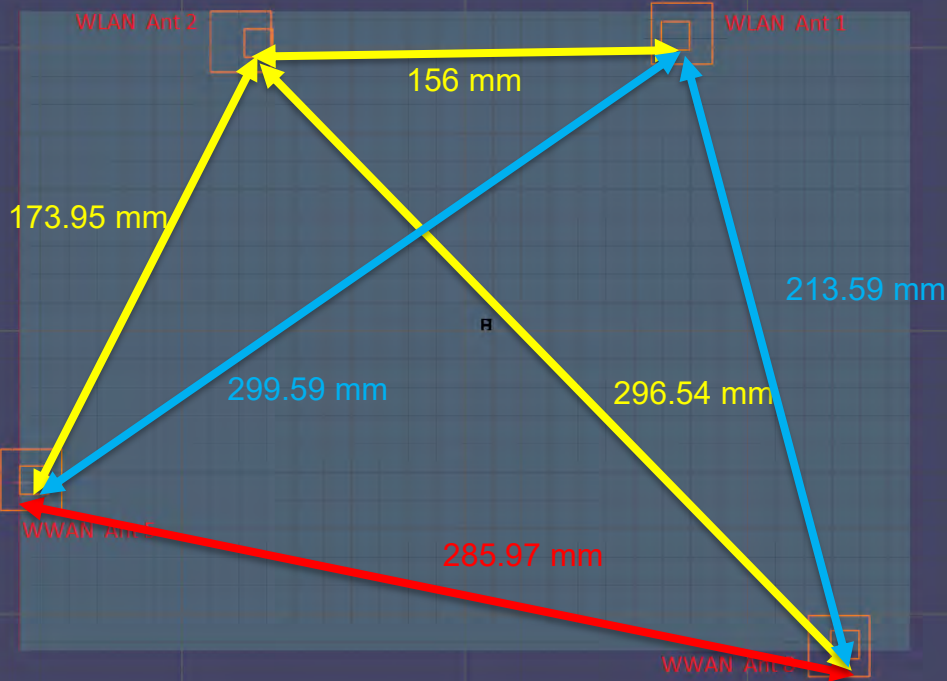


Unless otherwise stated the results shown in this test report refer only to the sample(s) tested and such sample(s) are retained for 90 days only.

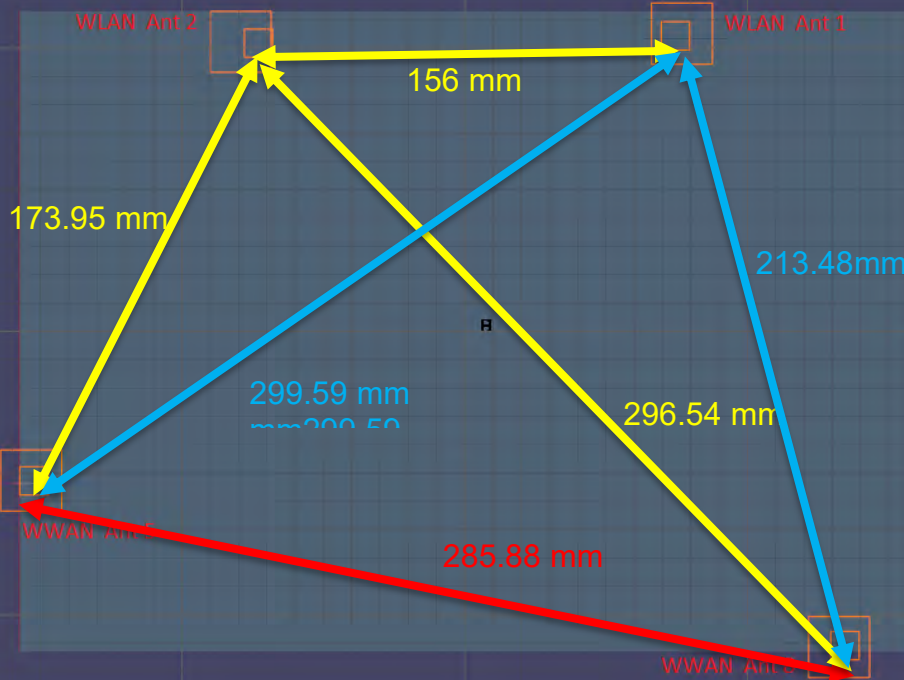
除非另有說明，此報告結果僅對測試之樣品負責，同時此樣品僅保留90天。本報告未經本公司書面許可，不可部份複製。

This document is issued by the Company subject to its General Conditions of Service printed overleaf, available on request or accessible at <http://www.sgs.com.tw/Terms-and-Conditions> and for electronic format documents, subject to Terms and Conditions for Electronic Documents at <http://www.sgs.com.tw/Terms-and-Conditions>. Attention is drawn to the limitation of liability, indemnification and jurisdiction issues defined therein. Any holder of this document is advised that information contained hereon reflects the Company's findings at the time of its intervention only and within the limits of Client's instructions, if any. The Company's sole responsibility is to its Client and this document does not exonerate parties to a transaction from exercising all their rights and obligations under the transaction documents. This document cannot be reproduced except in full, without prior written approval of the Company. Any unauthorized alteration, forgery or falsification of the content or appearance of this document is unlawful and offenders may be prosecuted to the fullest extent of the law.

LTE Band 5_Ant 5+ NR n77_FCC_Ant 8 + 2.4GHz WLAN Ant 2+2.4GHz WLAN Ant 1



LTE Band 5_Ant 5+ NR n77 & n78_FCC_Ant 8 + 2.4GHz WLAN Ant 2+2.4GHz WLAN Ant 1

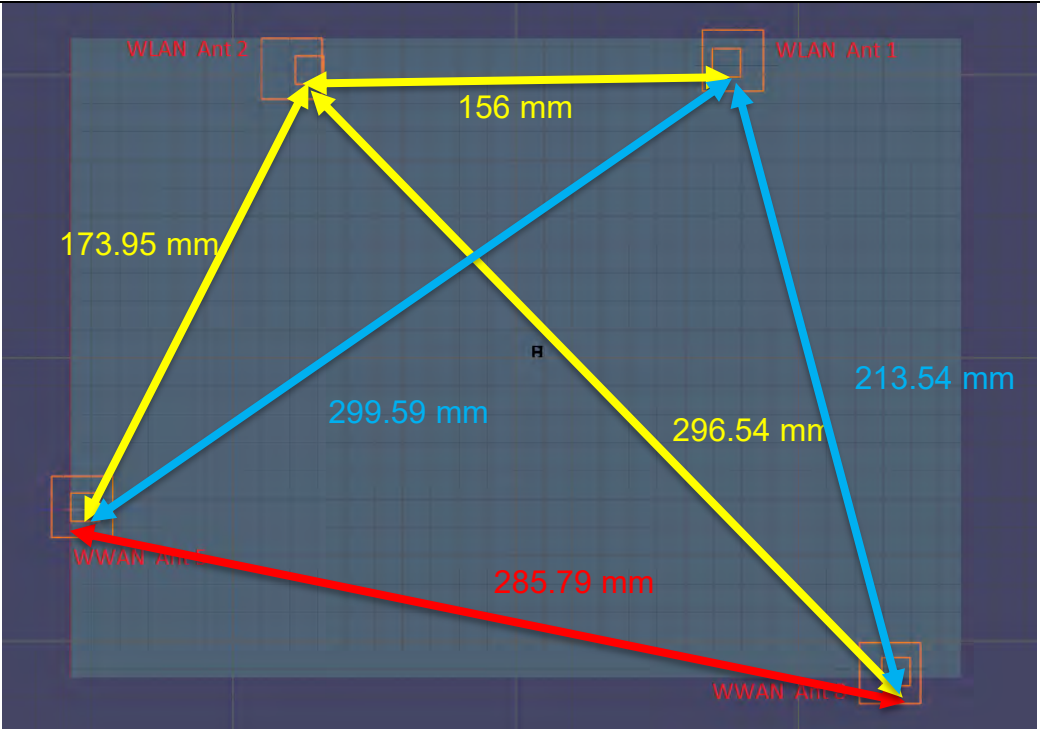


Unless otherwise stated the results shown in this test report refer only to the sample(s) tested and such sample(s) are retained for 90 days only.

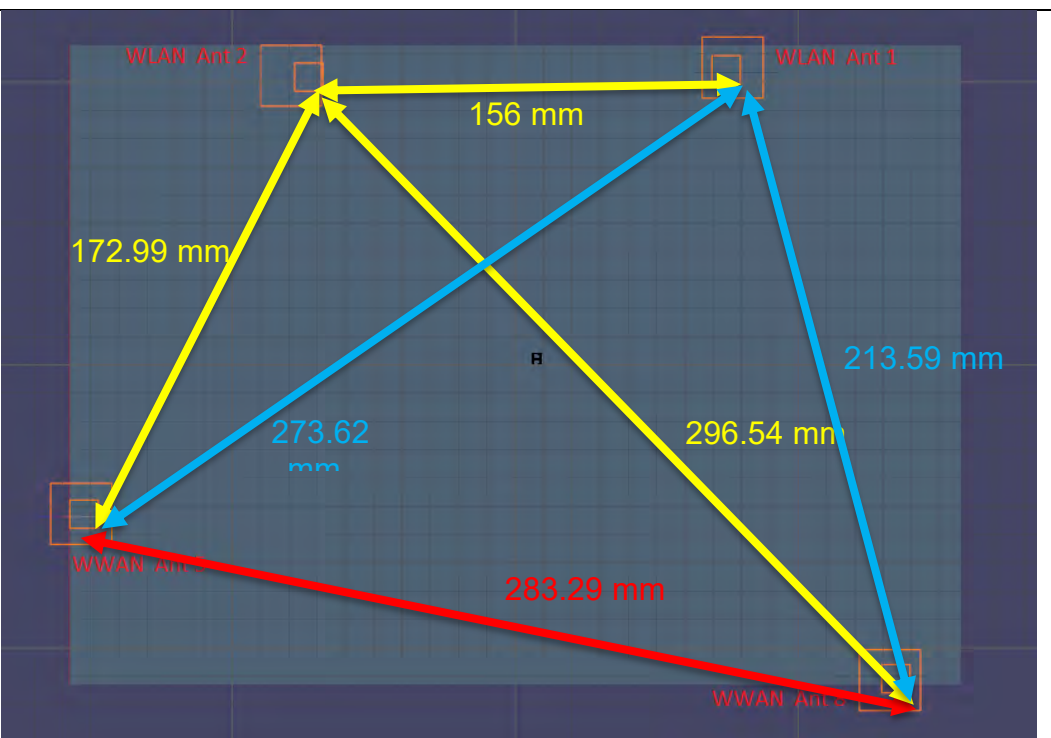
除非另有說明，此報告結果僅對測試之樣品負責，同時此樣品僅保留90天。本報告未經本公司書面許可，不可部份複製。

This document is issued by the Company subject to its General Conditions of Service printed overleaf, available on request or accessible at <http://www.sgs.com.tw/Terms-and-Conditions> and for electronic format documents, subject to Terms and Conditions for Electronic Documents at <http://www.sgs.com.tw/Terms-and-Conditions>. Attention is drawn to the limitation of liability, indemnification and jurisdiction issues defined therein. Any holder of this document is advised that information contained herein reflects the Company's findings at the time of its intervention only and within the limits of Client's instructions, if any. The Company's sole responsibility is to its Client and this document does not exonerate parties to a transaction from exercising all their rights and obligations under the transaction documents. This document cannot be reproduced except in full, without prior written approval of the Company. Any unauthorized alteration, forgery or falsification of the content or appearance of this document is unlawful and offenders may be prosecuted to the fullest extent of the law.

LTE Band 5_Ant 5+ NR n78_FCC_Ant 8 + 2.4GHz WLAN Ant 2+2.4GHz WLAN Ant 1



LTE Band 7_Ant 5+ NR n77_FCC_Ant 8 + 2.4GHz WLAN Ant 2+2.4GHz WLAN Ant 1

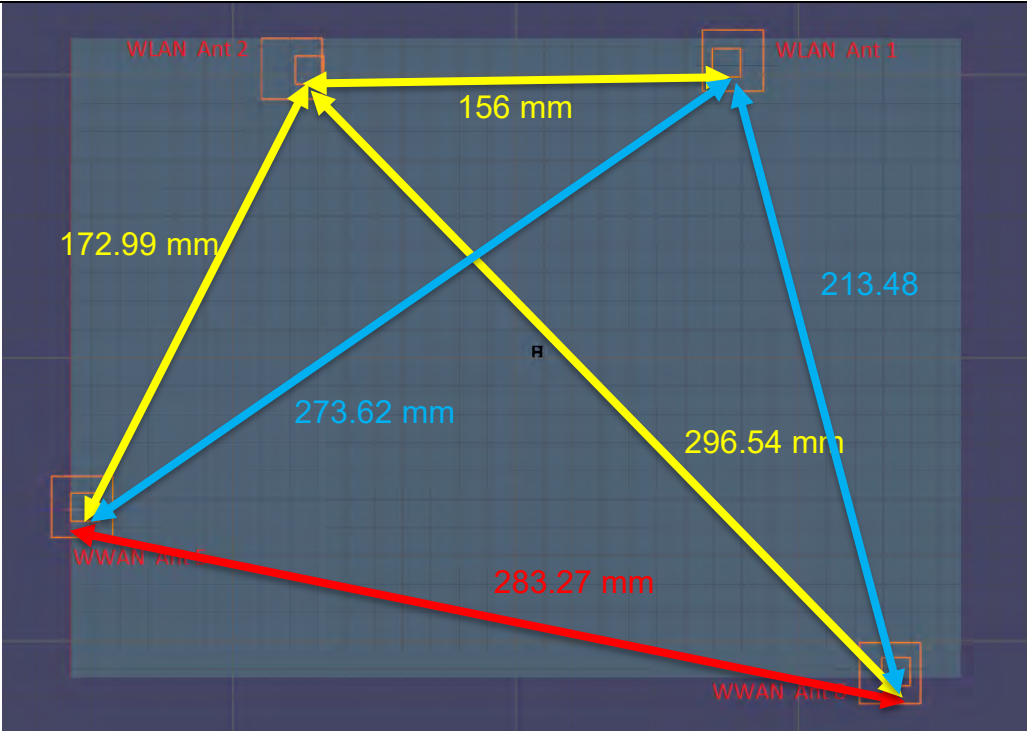


Unless otherwise stated the results shown in this test report refer only to the sample(s) tested and such sample(s) are retained for 90 days only.

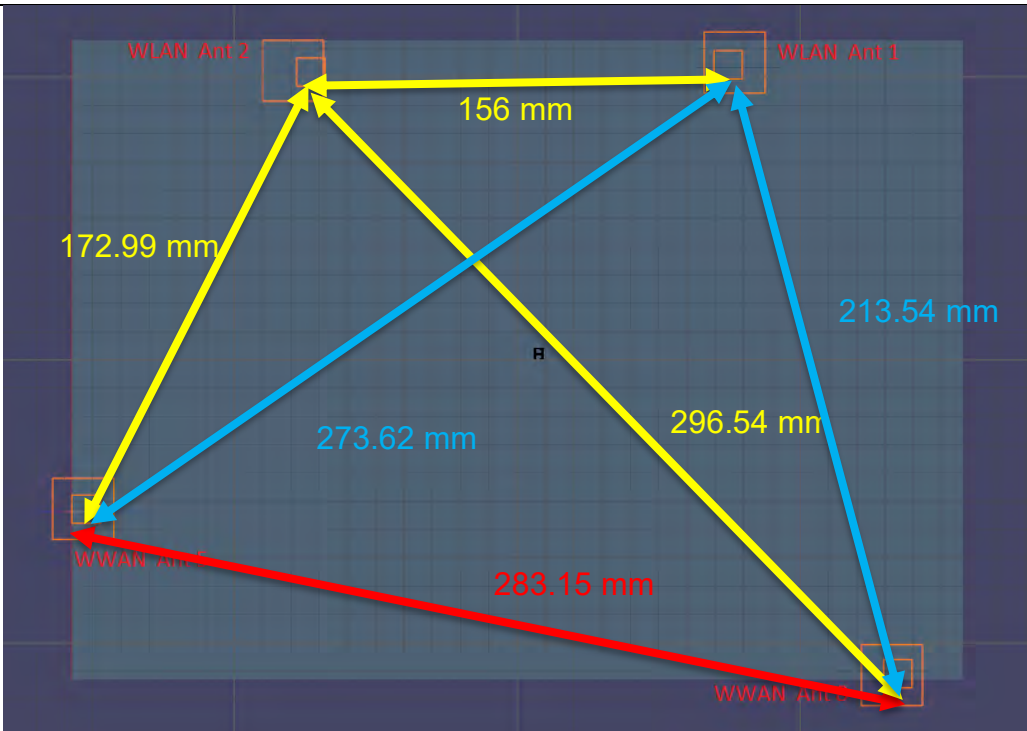
除非另有說明，此報告結果僅對測試之樣品負責，同時此樣品僅保留90天。本報告未經本公司書面許可，不可部份複製。

This document is issued by the Company subject to its General Conditions of Service printed overleaf, available on request or accessible at <http://www.sgs.com.tw/Terms-and-Conditions> and for electronic format documents, subject to Terms and Conditions for Electronic Documents at <http://www.sgs.com.tw/Terms-and-Conditions>. Attention is drawn to the limitation of liability, indemnification and jurisdiction issues defined therein. Any holder of this document is advised that information contained herein reflects the Company's findings at the time of its intervention only and within the limits of Client's instructions, if any. The Company's sole responsibility is to its Client and this document does not exonerate parties to a transaction from exercising all their rights and obligations under the transaction documents. This document cannot be reproduced except in full, without prior written approval of the Company. Any unauthorized alteration, forgery or falsification of the content or appearance of this document is unlawful and offenders may be prosecuted to the fullest extent of the law.

LTE Band 7_Ant 5+ NR n77 & n78_FCC_Ant 8 + 2.4GHz WLAN Ant 2+2.4GHz WLAN Ant 1



LTE Band 7_Ant 5+ NR n78_FCC_Ant 8 + 2.4GHz WLAN Ant 2+2.4GHz WLAN Ant 1

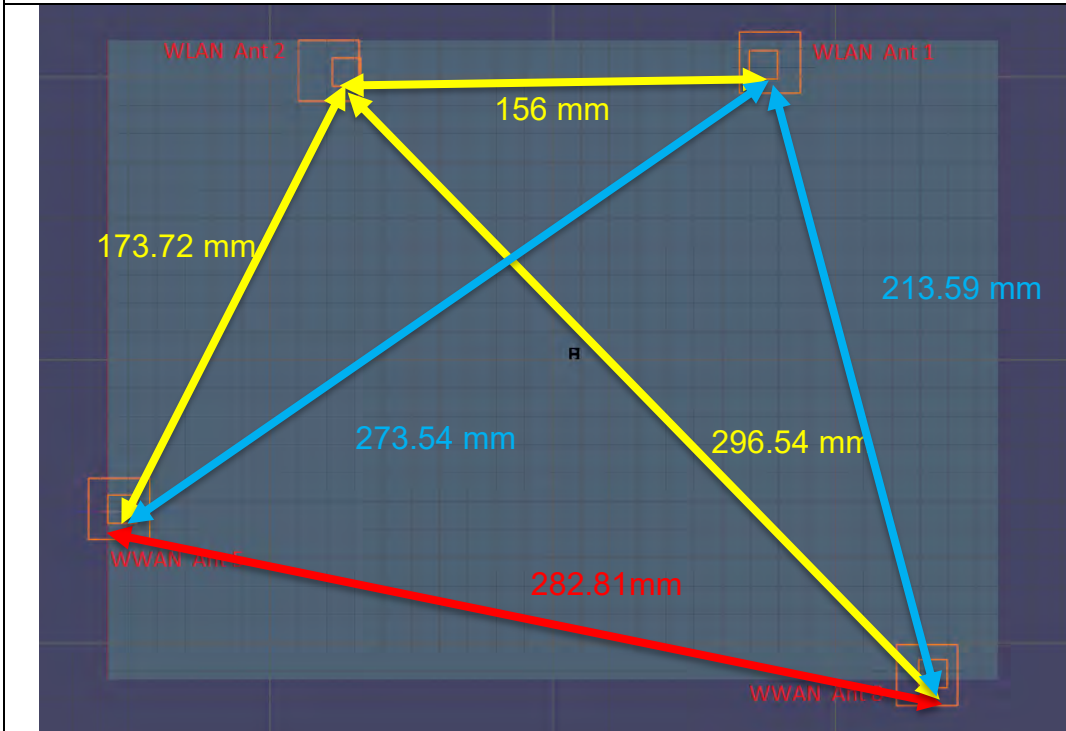


Unless otherwise stated the results shown in this test report refer only to the sample(s) tested and such sample(s) are retained for 90 days only.

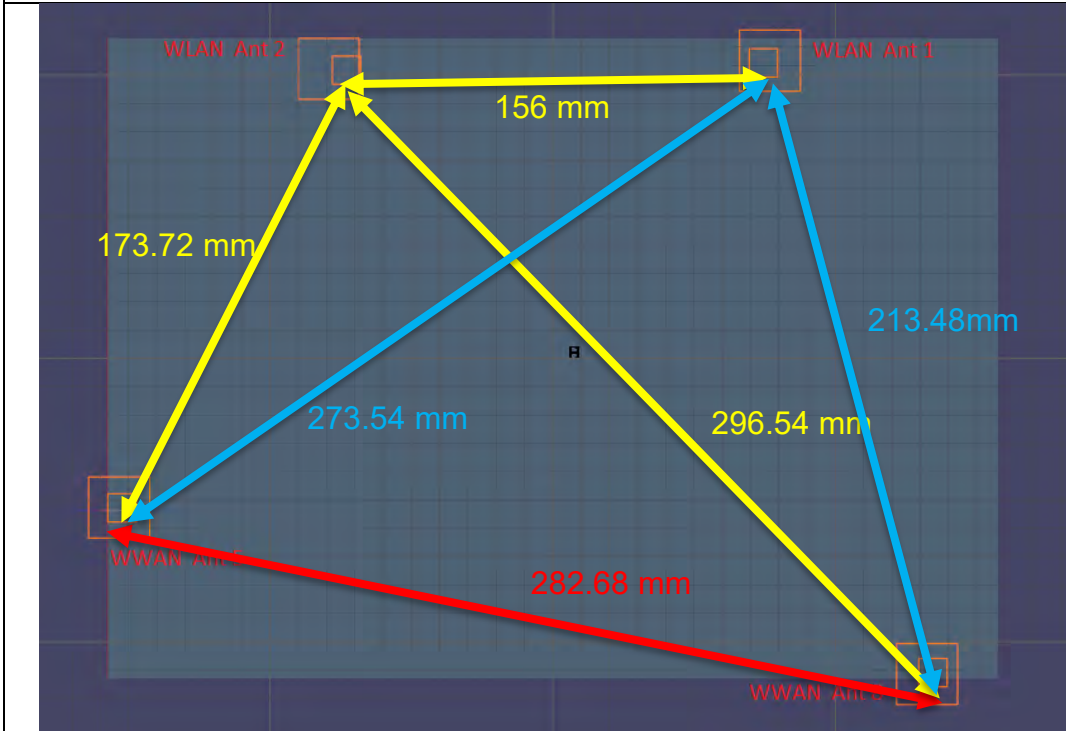
除非另有說明，此報告結果僅對測試之樣品負責，同時此樣品僅保留90天。本報告未經本公司書面許可，不可部份複製。

This document is issued by the Company subject to its General Conditions of Service printed overleaf, available on request or accessible at <http://www.sgs.com.tw/Terms-and-Conditions> and for electronic format documents, subject to Terms and Conditions for Electronic Documents at <http://www.sgs.com.tw/Terms-and-Conditions>. Attention is drawn to the limitation of liability, indemnification and jurisdiction issues defined therein. Any holder of this document is advised that information contained herein reflects the Company's findings at the time of its intervention only and within the limits of Client's instructions, if any. The Company's sole responsibility is to its Client and this document does not exonerate parties to a transaction from exercising all their rights and obligations under the transaction documents. This document cannot be reproduced except in full, without prior written approval of the Company. Any unauthorized alteration, forgery or falsification of the content or appearance of this document is unlawful and offenders may be prosecuted to the fullest extent of the law.

CA_7C_Ant 5+ NR n77_FCC_Ant 8 + 2.4GHz WLAN Ant 2+2.4GHz WLAN Ant 1



CA_7C_Ant 5+ NR n77 & n78_FCC_Ant 8 + 2.4GHz WLAN Ant 2+2.4GHz WLAN Ant 1

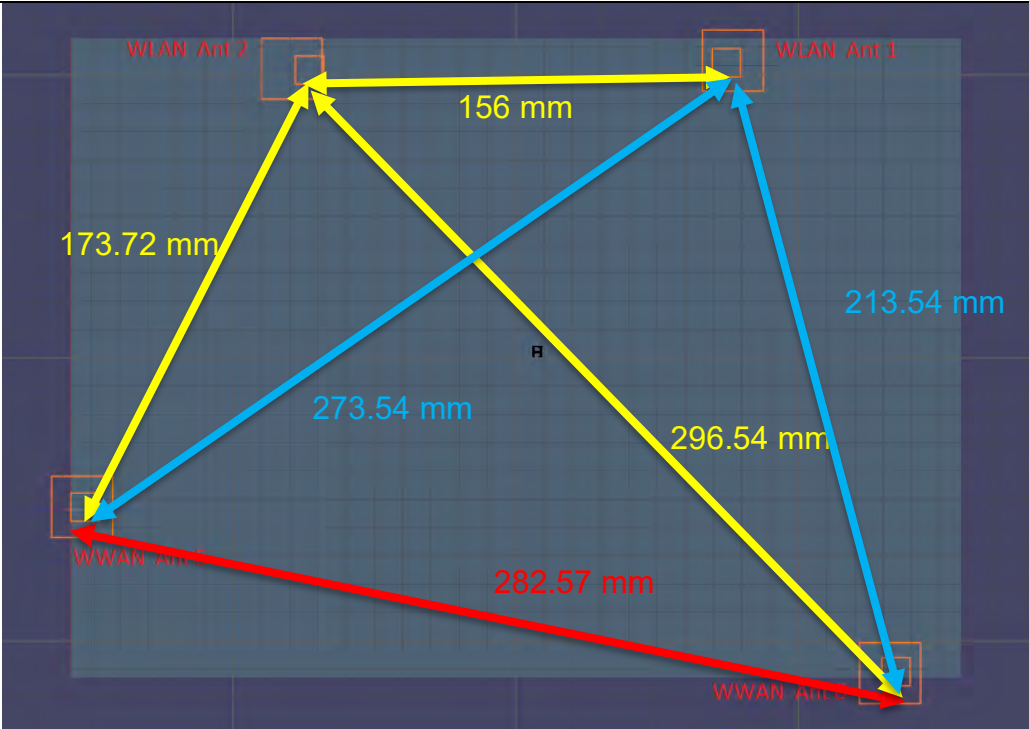


Unless otherwise stated the results shown in this test report refer only to the sample(s) tested and such sample(s) are retained for 90 days only.

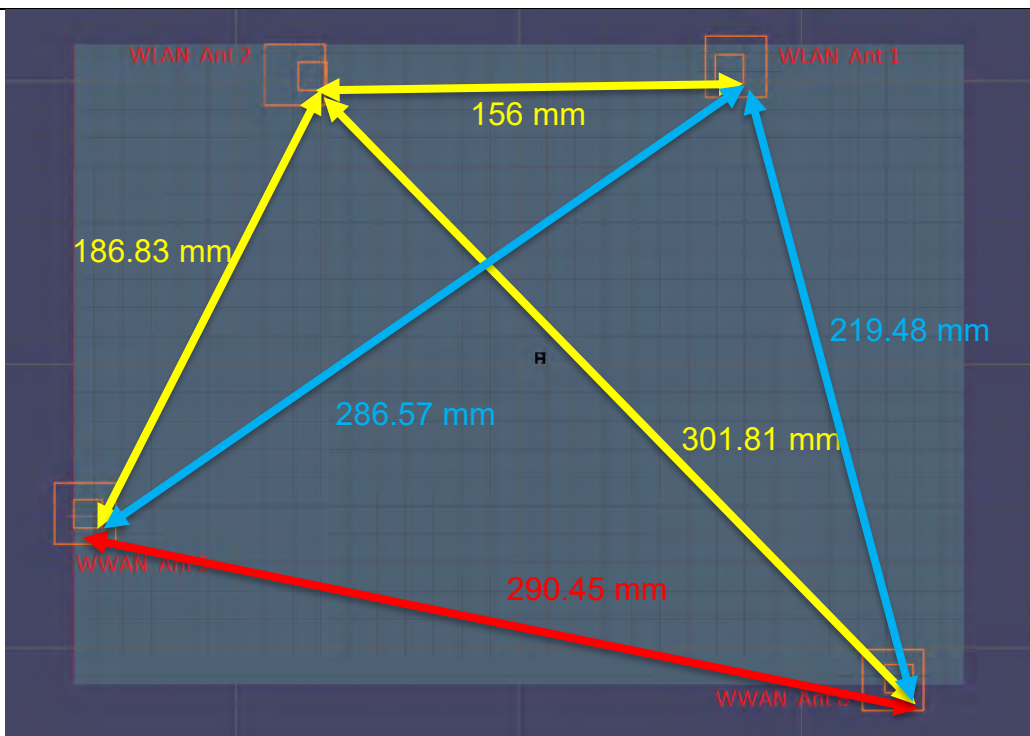
除非另有說明，此報告結果僅對測試之樣品負責，同時此樣品僅保留90天。本報告未經本公司書面許可，不可部份複製。

This document is issued by the Company subject to its General Conditions of Service printed overleaf, available on request or accessible at <http://www.sgs.com.tw/Terms-and-Conditions> and for electronic format documents, subject to Terms and Conditions for Electronic Documents at <http://www.sgs.com.tw/Terms-and-Conditions>. Attention is drawn to the limitation of liability, indemnification and jurisdiction issues defined therein. Any holder of this document is advised that information contained herein reflects the Company's findings at the time of its intervention only and within the limits of Client's instructions, if any. The Company's sole responsibility is to its Client and this document does not exonerate parties to a transaction from exercising all their rights and obligations under the transaction documents. This document cannot be reproduced except in full, without prior written approval of the Company. Any unauthorized alteration, forgery or falsification of the content or appearance of this document is unlawful and offenders may be prosecuted to the fullest extent of the law.

CA_7C_Ant 5+ NR n78_FCC_Ant 8 + 2.4GHz WLAN Ant 2+2.4GHz WLAN Ant 1



LTE Band 12_Ant 5+ NR n2_Ant 8 + 2.4GHz WLAN Ant 2+2.4GHz WLAN Ant 1

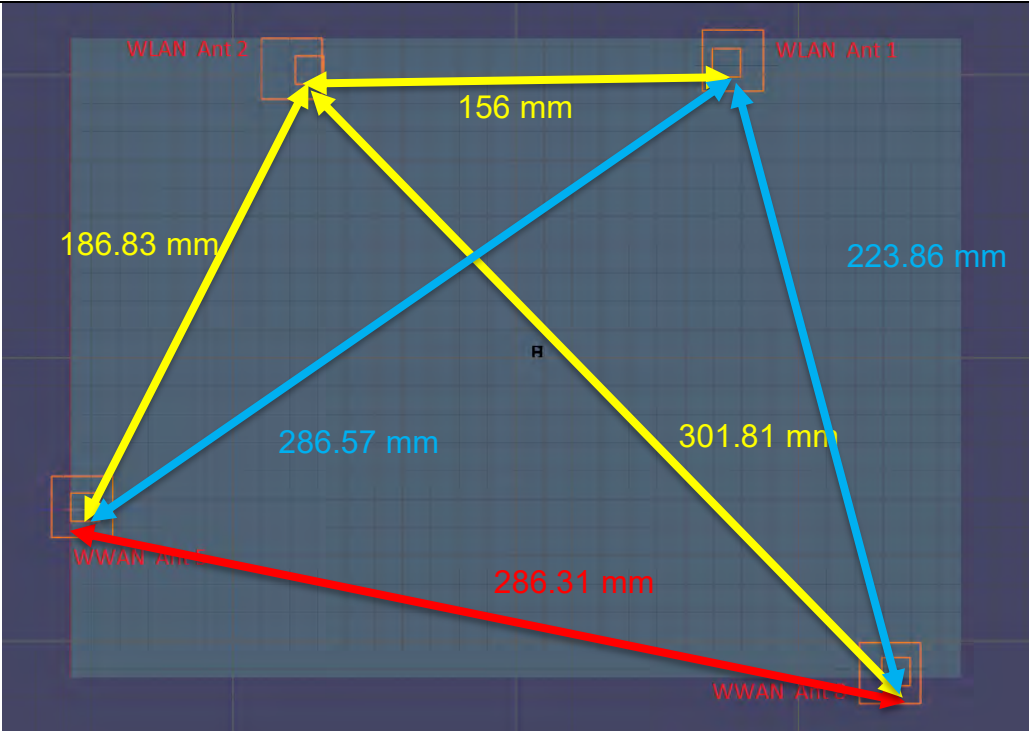


Unless otherwise stated the results shown in this test report refer only to the sample(s) tested and such sample(s) are retained for 90 days only.

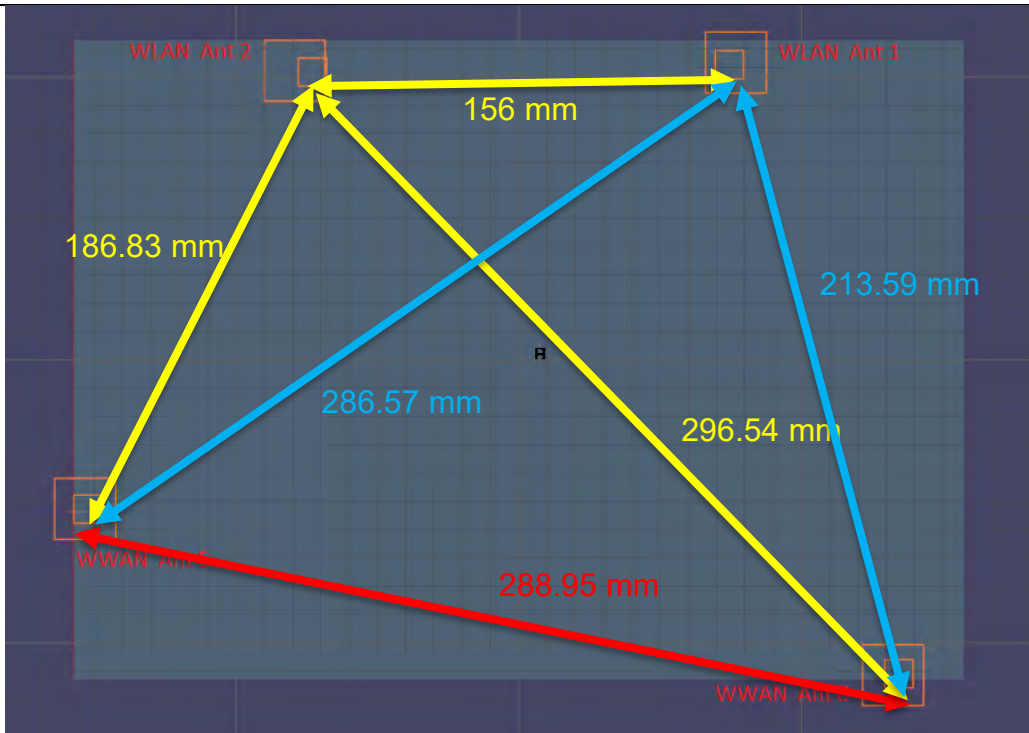
除非另有說明，此報告結果僅對測試之樣品負責，同時此樣品僅保留90天。本報告未經本公司書面許可，不可部份複製。

This document is issued by the Company subject to its General Conditions of Service printed overleaf, available on request or accessible at <http://www.sgs.com.tw/Terms-and-Conditions> and for electronic format documents, subject to Terms and Conditions for Electronic Documents at <http://www.sgs.com.tw/Terms-and-Conditions>. Attention is drawn to the limitation of liability, indemnification and jurisdiction issues defined therein. Any holder of this document is advised that information contained herein reflects the Company's findings at the time of its intervention only and within the limits of Client's instructions, if any. The Company's sole responsibility is to its Client and this document does not exonerate parties to a transaction from exercising all their rights and obligations under the transaction documents. This document cannot be reproduced except in full, without prior written approval of the Company. Any unauthorized alteration, forgery or falsification of the content or appearance of this document is unlawful and offenders may be prosecuted to the fullest extent of the law.

LTE Band 12_Ant 5+ NR n66_Ant 8 + 2.4GHz WLAN Ant 2+2.4GHz WLAN Ant 1



LTE Band 12_Ant 5+ NR n77_FCC_Ant 8 + 2.4GHz WLAN Ant 2+2.4GHz WLAN Ant 1

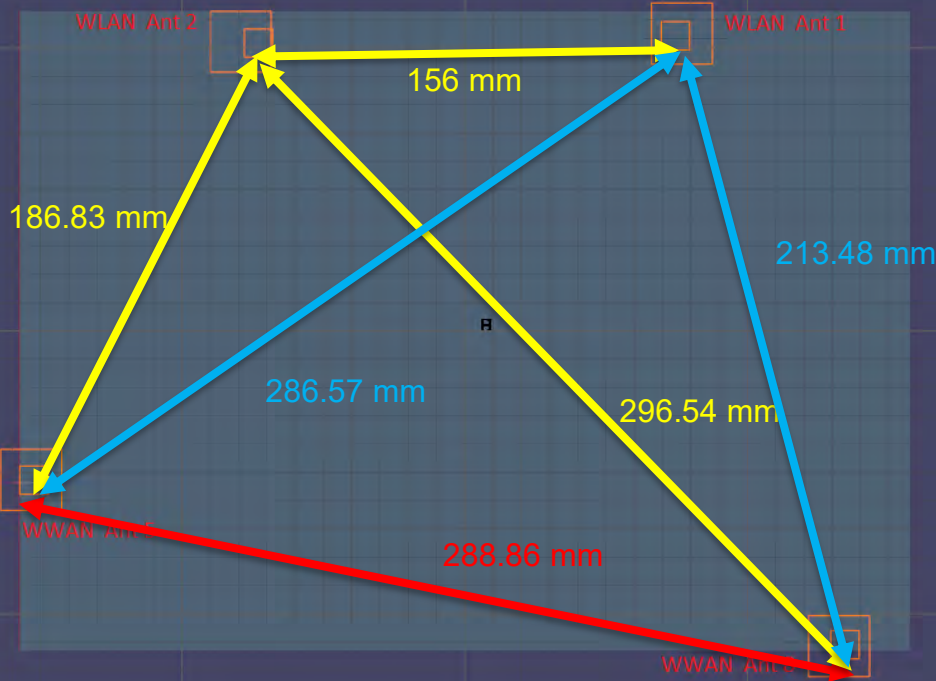


Unless otherwise stated the results shown in this test report refer only to the sample(s) tested and such sample(s) are retained for 90 days only.

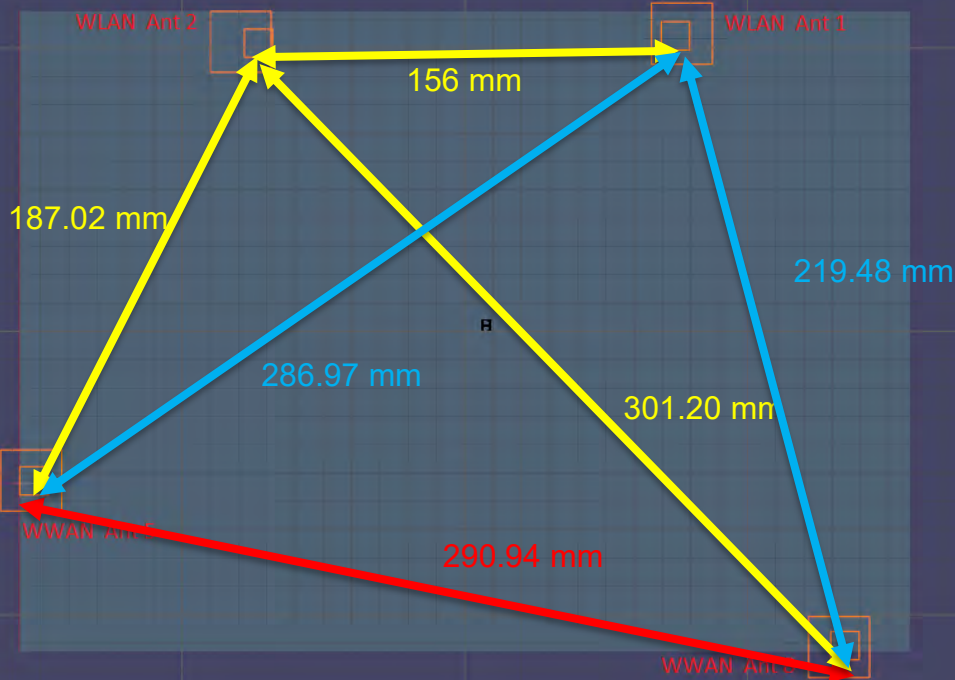
除非另有說明，此報告結果僅對測試之樣品負責，同時此樣品僅保留90天。本報告未經本公司書面許可，不可部份複製。

This document is issued by the Company subject to its General Conditions of Service printed overleaf, available on request or accessible at <http://www.sgs.com.tw/Terms-and-Conditions> and for electronic format documents, subject to Terms and Conditions for Electronic Documents at <http://www.sgs.com.tw/Terms-and-Conditions>. Attention is drawn to the limitation of liability, indemnification and jurisdiction issues defined therein. Any holder of this document is advised that information contained herein reflects the Company's findings at the time of its intervention only and within the limits of Client's instructions, if any. The Company's sole responsibility is to its Client and this document does not exonerate parties to a transaction from exercising all their rights and obligations under the transaction documents. This document cannot be reproduced except in full, without prior written approval of the Company. Any unauthorized alteration, forgery or falsification of the content or appearance of this document is unlawful and offenders may be prosecuted to the fullest extent of the law.

LTE Band 12_Ant 5+ NR n77 & n78_FCC_Ant 8 + 2.4GHz WLAN Ant 2+2.4GHz WLAN Ant 1



LTE Band 13_Ant 5+ NR n2_Ant 8 + 2.4GHz WLAN Ant 2+2.4GHz WLAN Ant 1

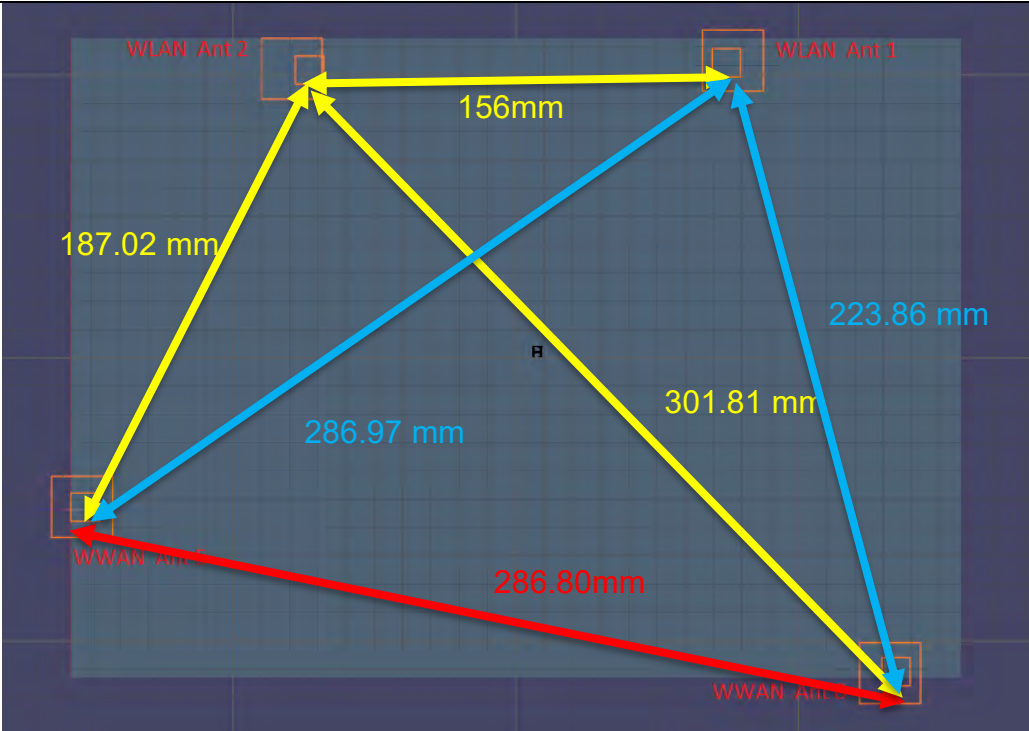


Unless otherwise stated the results shown in this test report refer only to the sample(s) tested and such sample(s) are retained for 90 days only.

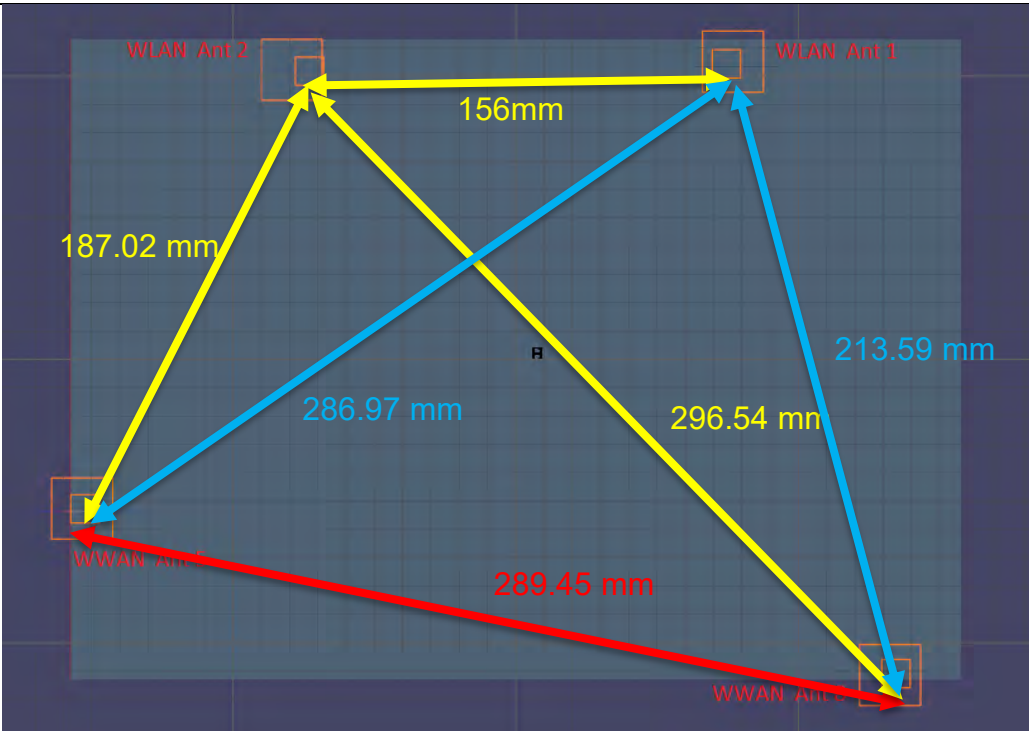
除非另有說明，此報告結果僅對測試之樣品負責，同時此樣品僅保留90天。本報告未經本公司書面許可，不可部份複製。

This document is issued by the Company subject to its General Conditions of Service printed overleaf, available on request or accessible at <http://www.sgs.com.tw/Terms-and-Conditions> and for electronic format documents, subject to Terms and Conditions for Electronic Documents at <http://www.sgs.com.tw/Terms-and-Conditions>. Attention is drawn to the limitation of liability, indemnification and jurisdiction issues defined therein. Any holder of this document is advised that information contained herein reflects the Company's findings at the time of its intervention only and within the limits of Client's instructions, if any. The Company's sole responsibility is to its Client and this document does not exonerate parties to a transaction from exercising all their rights and obligations under the transaction documents. This document cannot be reproduced except in full, without prior written approval of the Company. Any unauthorized alteration, forgery or falsification of the content or appearance of this document is unlawful and offenders may be prosecuted to the fullest extent of the law.

LTE Band 13_Ant 5+ NR n66_Ant 8 + 2.4GHz WLAN Ant 2+2.4GHz WLAN Ant 1



LTE Band 13_Ant 5+ NR n77_FCC_Ant 8 + 2.4GHz WLAN Ant 2+2.4GHz WLAN Ant 1

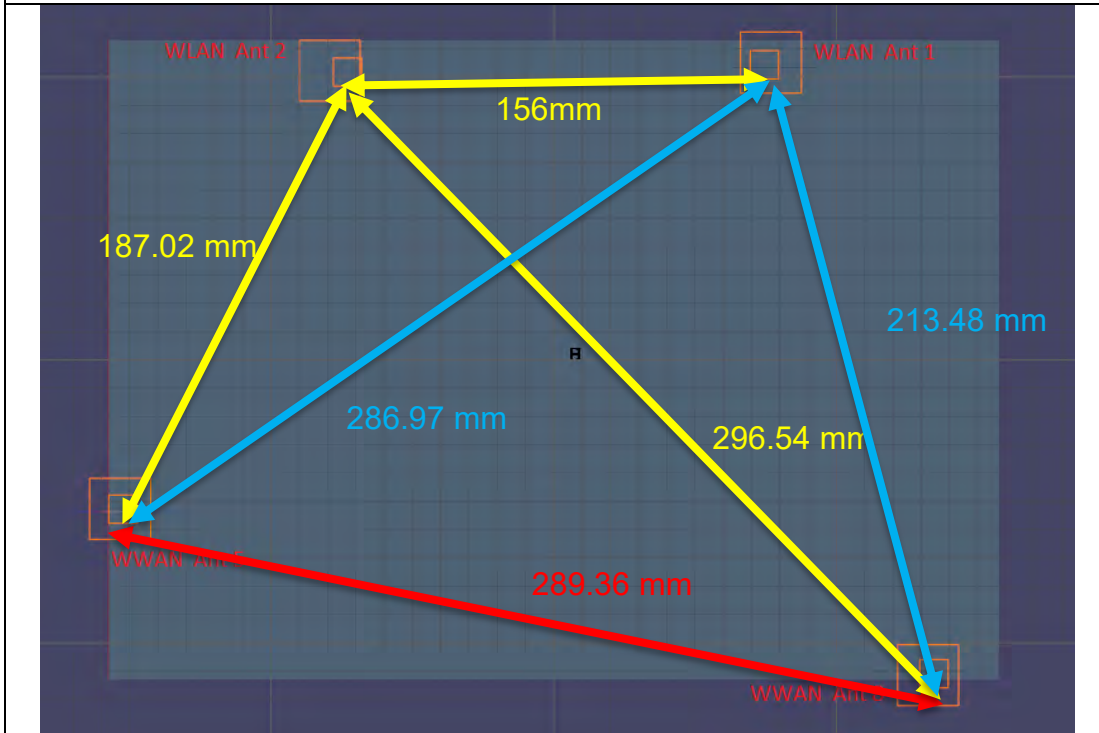


Unless otherwise stated the results shown in this test report refer only to the sample(s) tested and such sample(s) are retained for 90 days only.

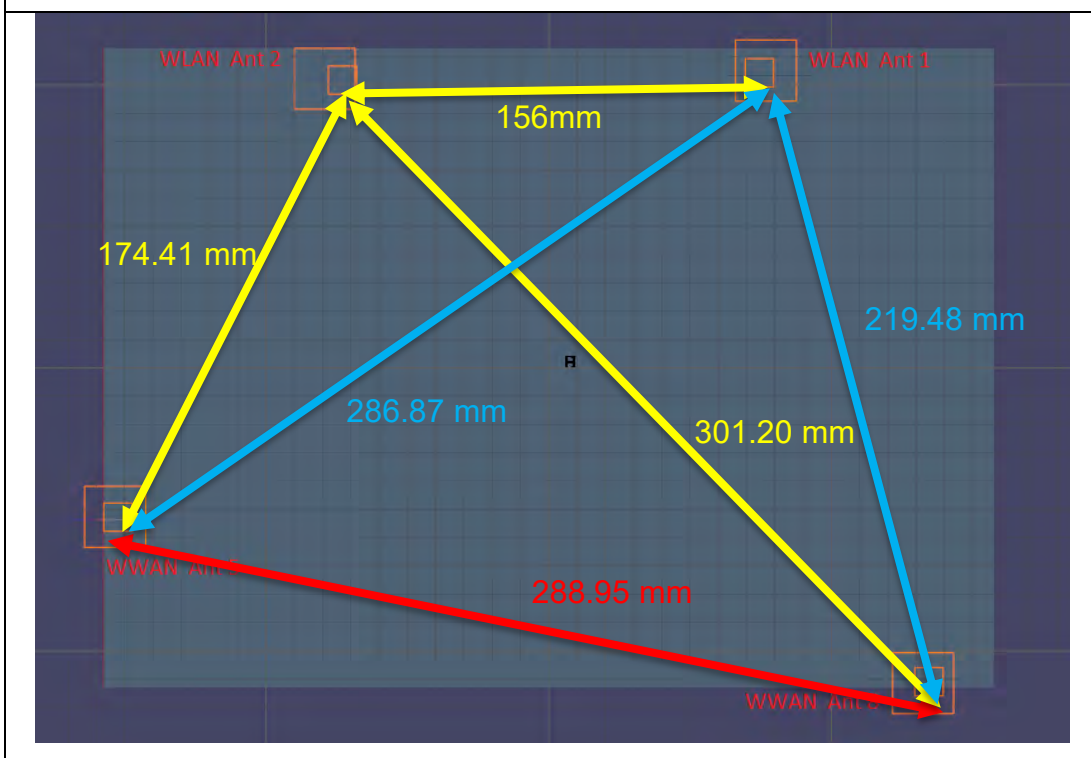
除非另有說明，此報告結果僅對測試之樣品負責，同時此樣品僅保留90天。本報告未經本公司書面許可，不可部份複製。

This document is issued by the Company subject to its General Conditions of Service printed overleaf, available on request or accessible at <http://www.sgs.com.tw/Terms-and-Conditions> and for electronic format documents, subject to Terms and Conditions for Electronic Documents at <http://www.sgs.com.tw/Terms-and-Conditions>. Attention is drawn to the limitation of liability, indemnification and jurisdiction issues defined therein. Any holder of this document is advised that information contained herein reflects the Company's findings at the time of its intervention only and within the limits of Client's instructions, if any. The Company's sole responsibility is to its Client and this document does not exonerate parties to a transaction from exercising all their rights and obligations under the transaction documents. This document cannot be reproduced except in full, without prior written approval of the Company. Any unauthorized alteration, forgery or falsification of the content or appearance of this document is unlawful and offenders may be prosecuted to the fullest extent of the law.

LTE Band 13_Ant 5+ NR n77 & n78_FCC_Ant 8 + 2.4GHz WLAN Ant 2+2.4GHz WLAN Ant 1



LTE Band 14_Ant 5+ NR n2_Ant 8 + 2.4GHz WLAN Ant 2+2.4GHz WLAN Ant 1

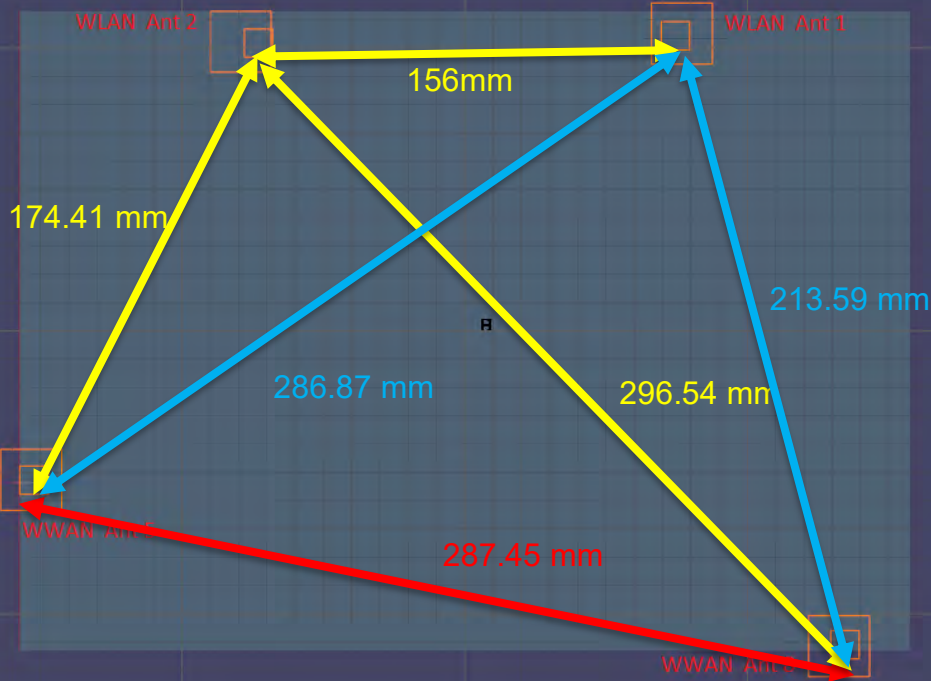


Unless otherwise stated the results shown in this test report refer only to the sample(s) tested and such sample(s) are retained for 90 days only.

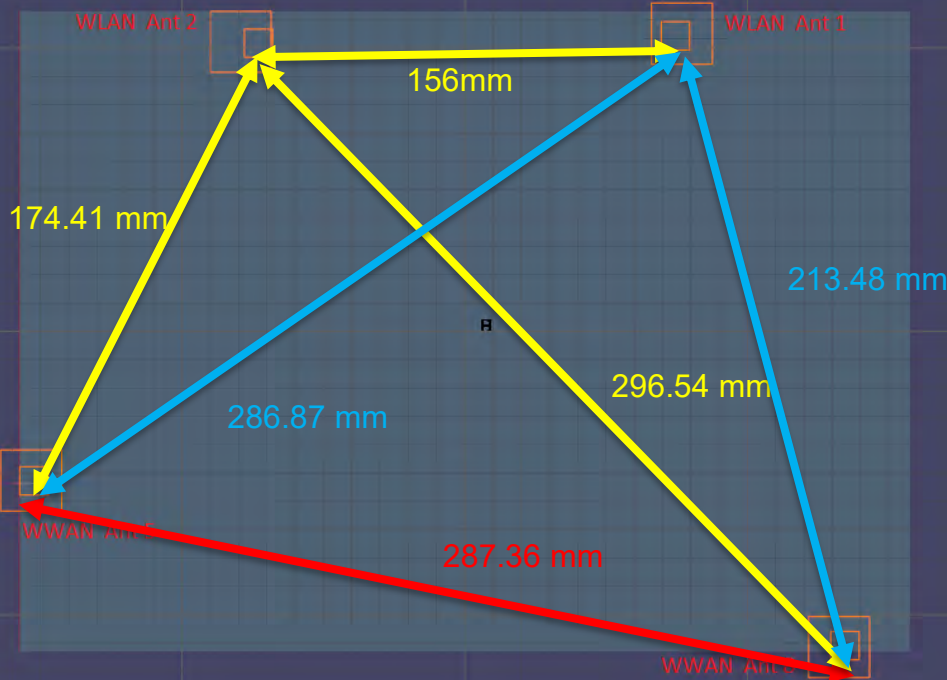
除非另有說明，此報告結果僅對測試之樣品負責，同時此樣品僅保留90天。本報告未經本公司書面許可，不可部份複製。

This document is issued by the Company subject to its General Conditions of Service printed overleaf, available on request or accessible at <http://www.sgs.com.tw/Terms-and-Conditions> and for electronic format documents, subject to Terms and Conditions for Electronic Documents at <http://www.sgs.com.tw/Terms-and-Conditions>. Attention is drawn to the limitation of liability, indemnification and jurisdiction issues defined therein. Any holder of this document is advised that information contained herein reflects the Company's findings at the time of its intervention only and within the limits of Client's instructions, if any. The Company's sole responsibility is to its Client and this document does not exonerate parties to a transaction from exercising all their rights and obligations under the transaction documents. This document cannot be reproduced except in full, without prior written approval of the Company. Any unauthorized alteration, forgery or falsification of the content or appearance of this document is unlawful and offenders may be prosecuted to the fullest extent of the law.

LTE Band 14_Ant 5+ NR n77_FCC_Ant 8 + 2.4GHz WLAN Ant 2+2.4GHz WLAN Ant 1



LTE Band 14_Ant 5+ NR n77 & n78_FCC_Ant 8 + 2.4GHz WLAN Ant 2+2.4GHz WLAN Ant 1

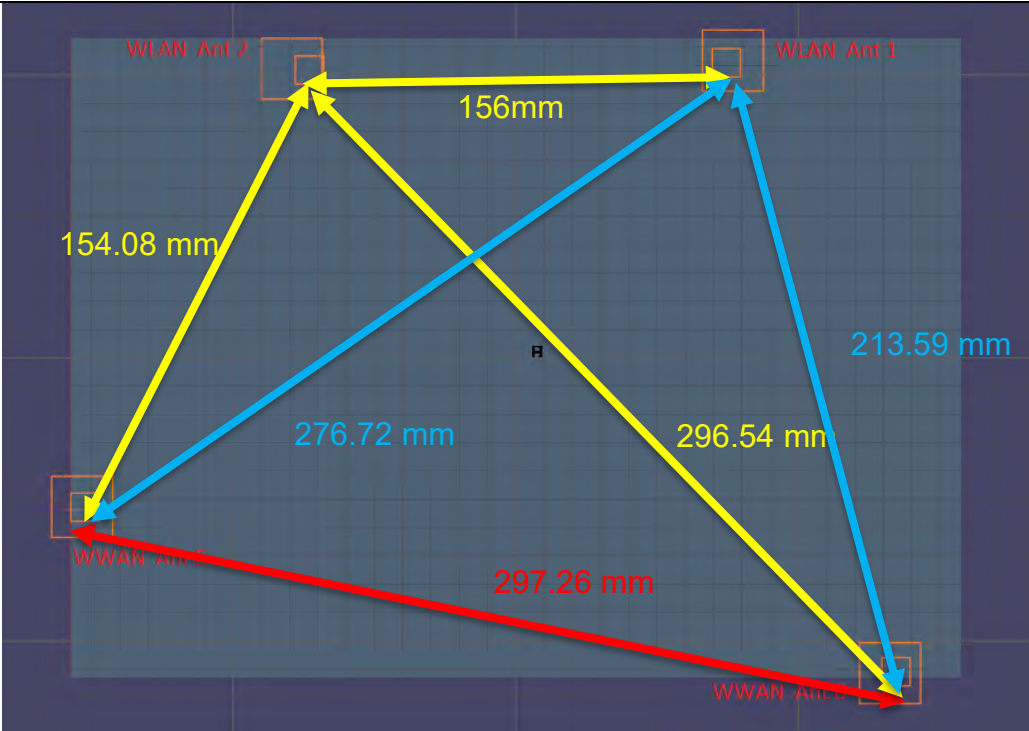


Unless otherwise stated the results shown in this test report refer only to the sample(s) tested and such sample(s) are retained for 90 days only.

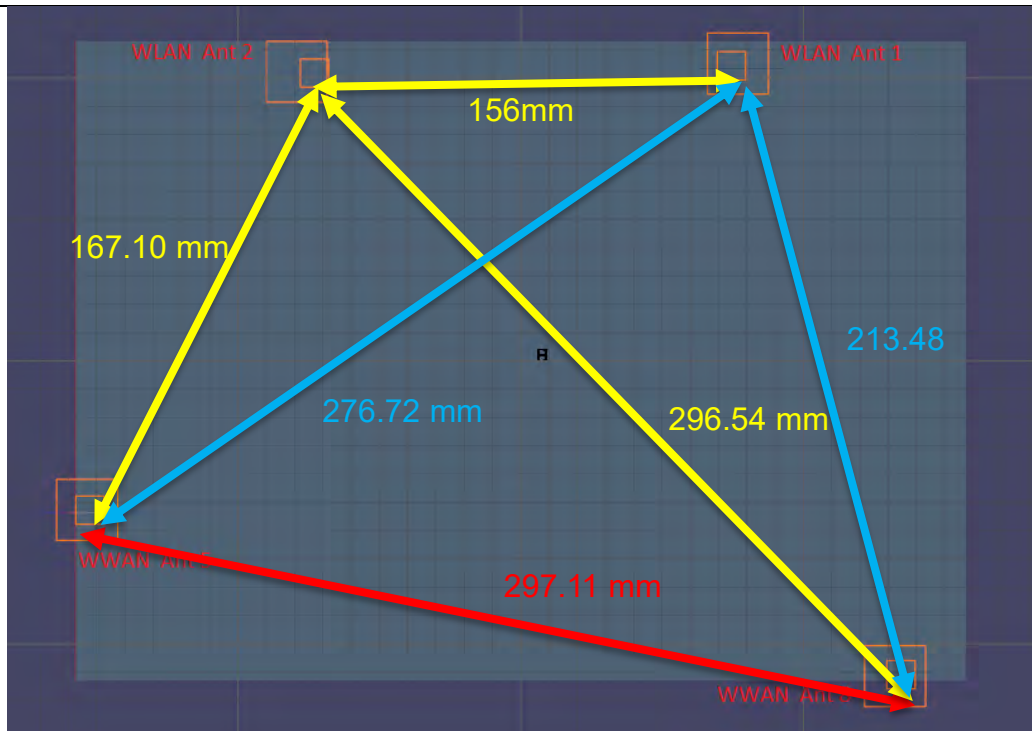
除非另有說明，此報告結果僅對測試之樣品負責，同時此樣品僅保留90天。本報告未經本公司書面許可，不可部份複製。

This document is issued by the Company subject to its General Conditions of Service printed overleaf, available on request or accessible at <http://www.sgs.com.tw/Terms-and-Conditions> and for electronic format documents, subject to Terms and Conditions for Electronic Documents at <http://www.sgs.com.tw/Terms-and-Conditions>. Attention is drawn to the limitation of liability, indemnification and jurisdiction issues defined therein. Any holder of this document is advised that information contained herein reflects the Company's findings at the time of its intervention only and within the limits of Client's instructions, if any. The Company's sole responsibility is to its Client and this document does not exonerate parties to a transaction from exercising all their rights and obligations under the transaction documents. This document cannot be reproduced except in full, without prior written approval of the Company. Any unauthorized alteration, forgery or falsification of the content or appearance of this document is unlawful and offenders may be prosecuted to the fullest extent of the law.

LTE Band 30_Ant 5+ NR n77_FCC_Ant 8 + 2.4GHz WLAN Ant 2+2.4GHz WLAN Ant 1



LTE Band 30_Ant 5+ NR n77 & n78_FCC_Ant 8 + 2.4GHz WLAN Ant 2+2.4GHz WLAN Ant 1

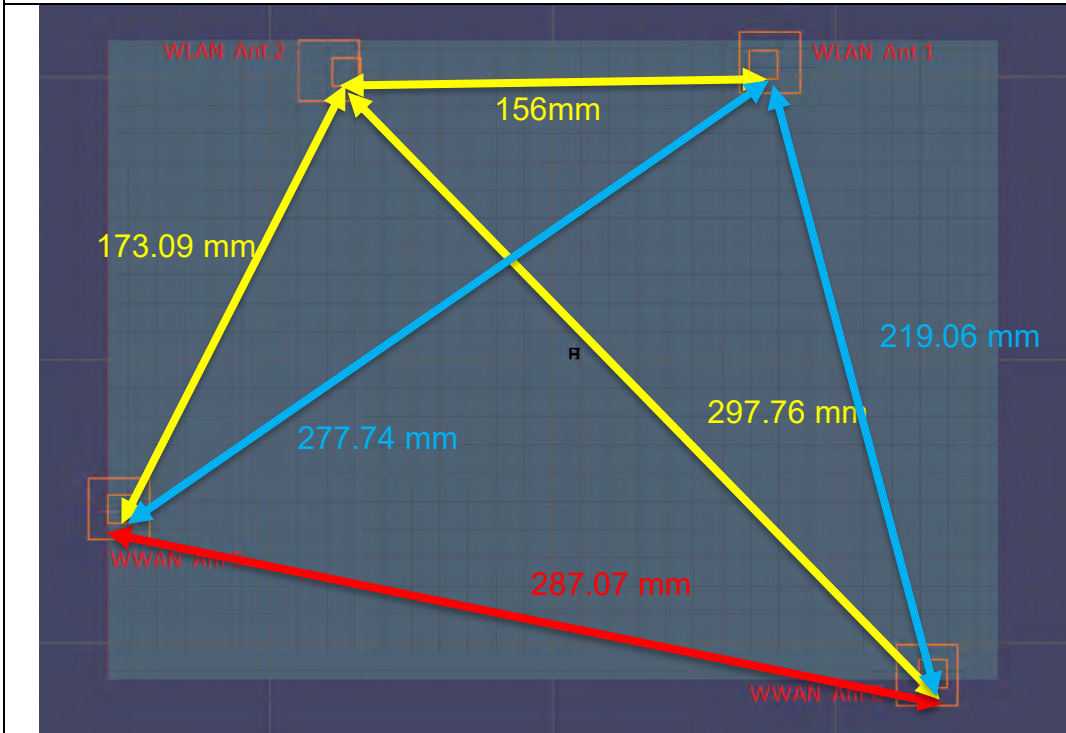


Unless otherwise stated the results shown in this test report refer only to the sample(s) tested and such sample(s) are retained for 90 days only.

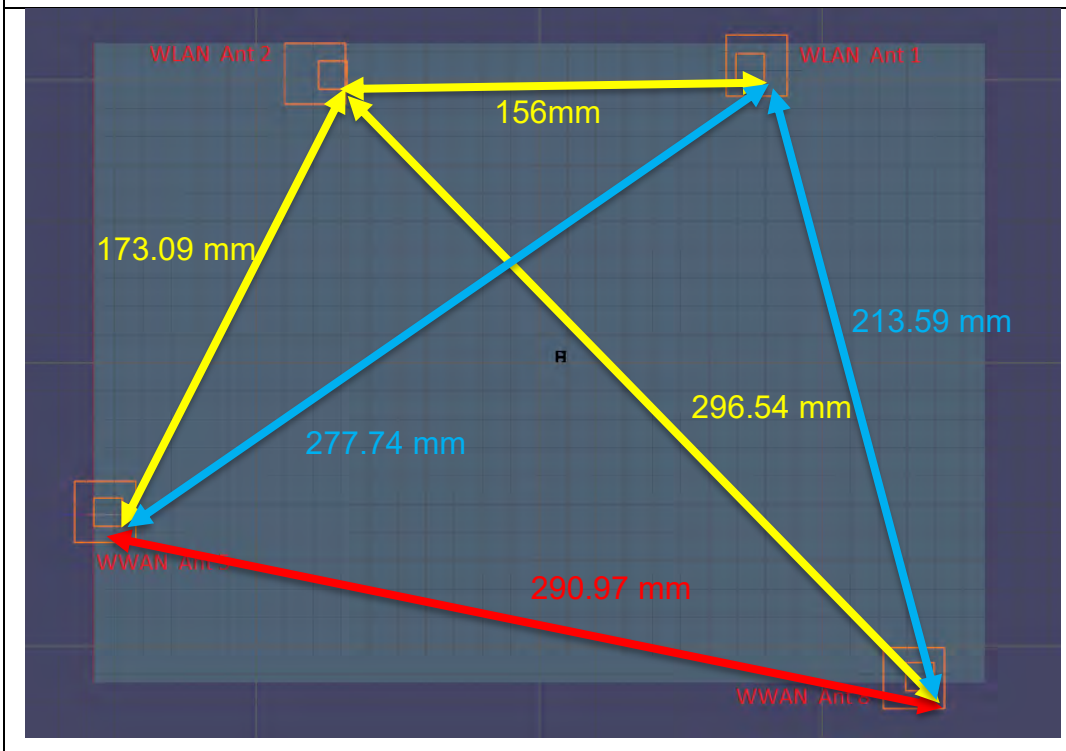
除非另有說明，此報告結果僅對測試之樣品負責，同時此樣品僅保留90天。本報告未經本公司書面許可，不可部份複製。

This document is issued by the Company subject to its General Conditions of Service printed overleaf, available on request or accessible at <http://www.sgs.com.tw/Terms-and-Conditions> and for electronic format documents, subject to Terms and Conditions for Electronic Documents at <http://www.sgs.com.tw/Terms-and-Conditions>. Attention is drawn to the limitation of liability, indemnification and jurisdiction issues defined therein. Any holder of this document is advised that information contained herein reflects the Company's findings at the time of its intervention only and within the limits of Client's instructions, if any. The Company's sole responsibility is to its Client and this document does not exonerate parties to a transaction from exercising all their rights and obligations under the transaction documents. This document cannot be reproduced except in full, without prior written approval of the Company. Any unauthorized alteration, forgery or falsification of the content or appearance of this document is unlawful and offenders may be prosecuted to the fullest extent of the law.

LTE Band 66_Ant 5+ NR n41_FCC_Ant 8 + 2.4GHz WLAN Ant 2+2.4GHz WLAN Ant 1



LTE Band 66_Ant 5+ NR n77_FCC_Ant 8 + 2.4GHz WLAN Ant 2+2.4GHz WLAN Ant 1

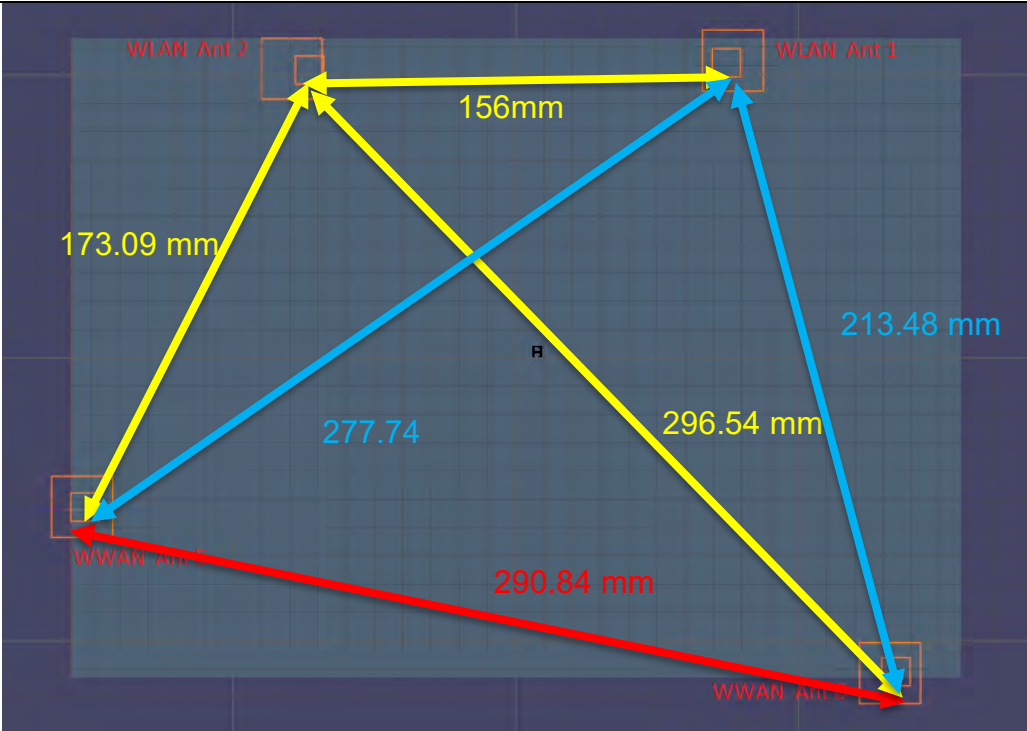


Unless otherwise stated the results shown in this test report refer only to the sample(s) tested and such sample(s) are retained for 90 days only.

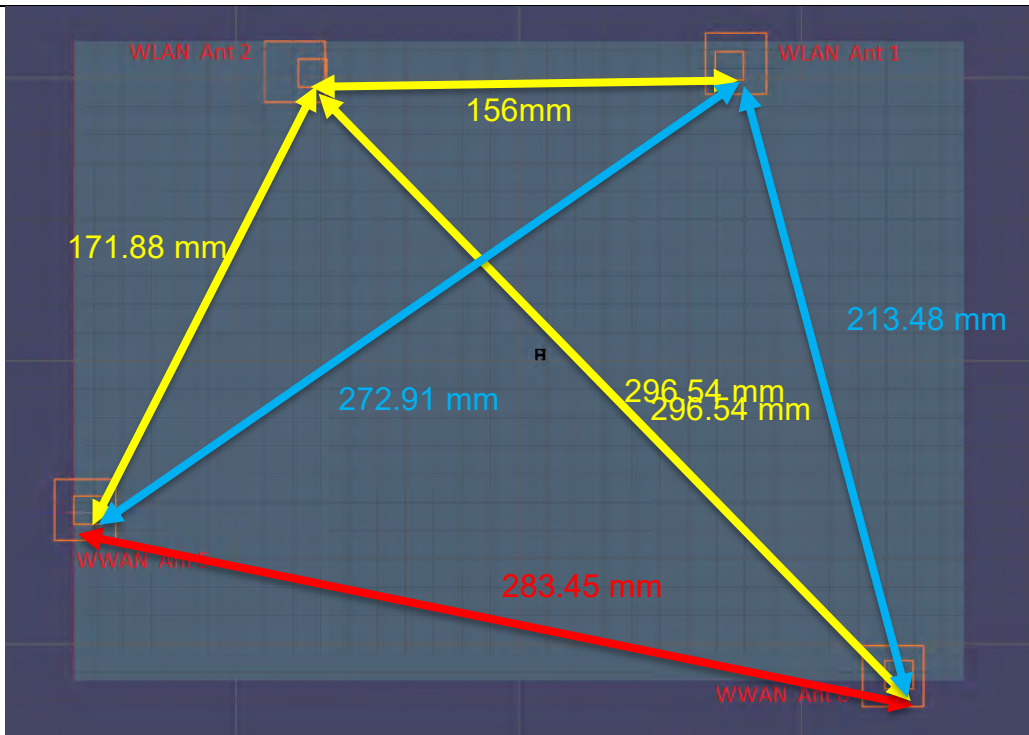
除非另有說明，此報告結果僅對測試之樣品負責，同時此樣品僅保留90天。本報告未經本公司書面許可，不可部份複製。

This document is issued by the Company subject to its General Conditions of Service printed overleaf, available on request or accessible at <http://www.sgs.com.tw/Terms-and-Conditions> and for electronic format documents, subject to Terms and Conditions for Electronic Documents at <http://www.sgs.com.tw/Terms-and-Conditions>. Attention is drawn to the limitation of liability, indemnification and jurisdiction issues defined therein. Any holder of this document is advised that information contained hereon reflects the Company's findings at the time of its intervention only and within the limits of Client's instructions, if any. The Company's sole responsibility is to its Client and this document does not exonerate parties to a transaction from exercising all their rights and obligations under the transaction documents. This document cannot be reproduced except in full, without prior written approval of the Company. Any unauthorized alteration, forgery or falsification of the content or appearance of this document is unlawful and offenders may be prosecuted to the fullest extent of the law.

LTE Band 66_Ant 5+ NR n77 & n78_FCC_Ant 8 + 2.4GHz WLAN Ant 2+2.4GHz WLAN Ant 1



LTE Band 38_Ant 5+ NR n77 & n78_FCC_Ant 8 + 2.4GHz WLAN Ant 2+2.4GHz WLAN Ant 1

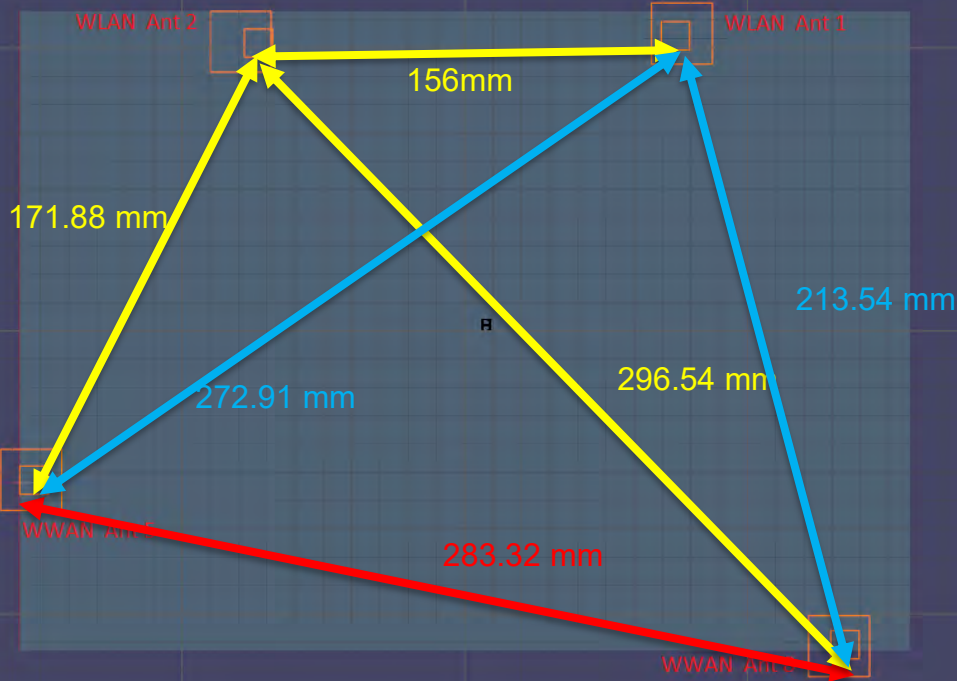


Unless otherwise stated the results shown in this test report refer only to the sample(s) tested and such sample(s) are retained for 90 days only.

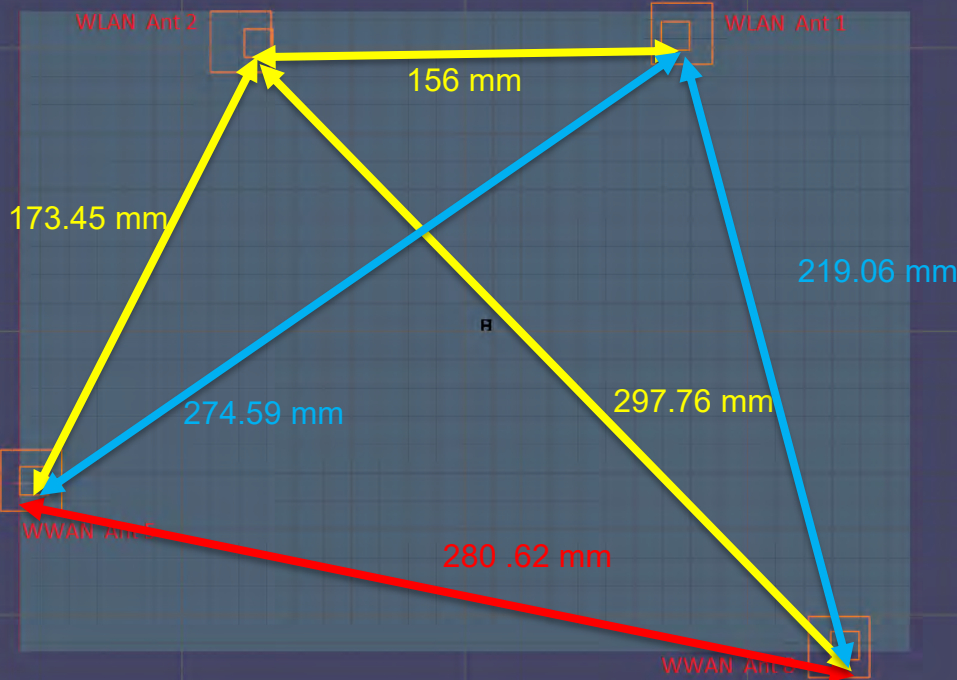
除非另有說明，此報告結果僅對測試之樣品負責，同時此樣品僅保留90天。本報告未經本公司書面許可，不可部份複製。

This document is issued by the Company subject to its General Conditions of Service printed overleaf, available on request or accessible at <http://www.sgs.com.tw/Terms-and-Conditions> and for electronic format documents, subject to Terms and Conditions for Electronic Documents at <http://www.sgs.com.tw/Terms-and-Conditions>. Attention is drawn to the limitation of liability, indemnification and jurisdiction issues defined therein. Any holder of this document is advised that information contained herein reflects the Company's findings at the time of its intervention only and within the limits of Client's instructions, if any. The Company's sole responsibility is to its Client and this document does not exonerate parties to a transaction from exercising all their rights and obligations under the transaction documents. This document cannot be reproduced except in full, without prior written approval of the Company. Any unauthorized alteration, forgery or falsification of the content or appearance of this document is unlawful and offenders may be prosecuted to the fullest extent of the law.

LTE Band 38_Ant 5+ NR n78_FCC_Ant 8 + 2.4GHz WLAN Ant 2+2.4GHz WLAN Ant 1



LTE Band 41_Ant 5+ NR n41_Ant 8 + 2.4GHz WLAN Ant 2+2.4GHz WLAN Ant 1

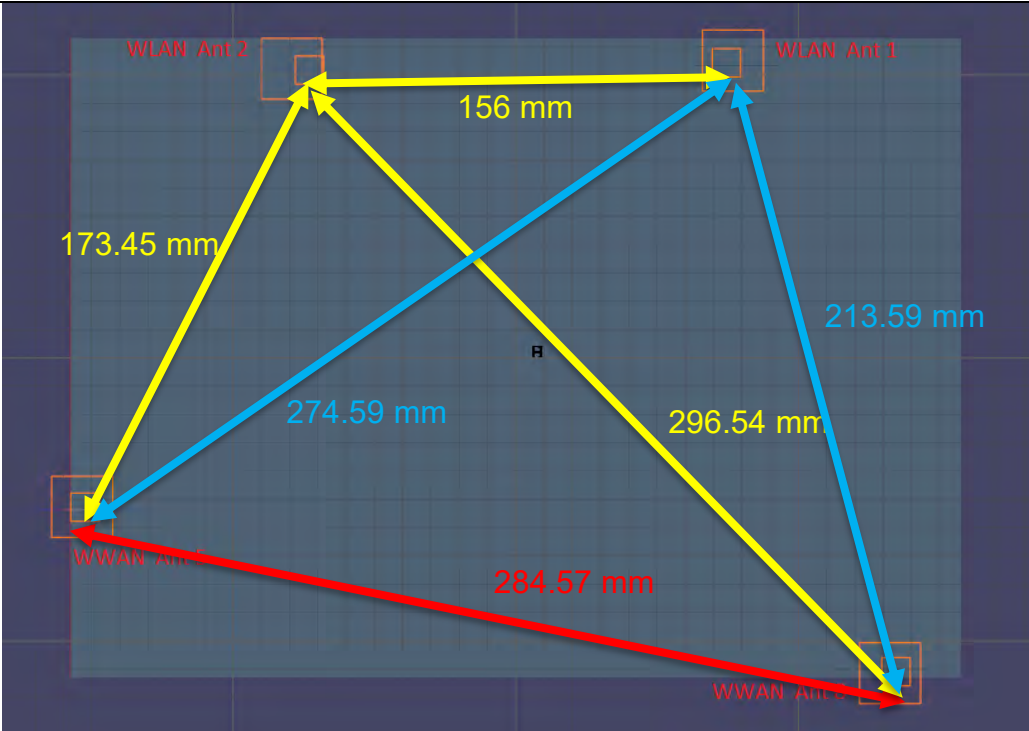


Unless otherwise stated the results shown in this test report refer only to the sample(s) tested and such sample(s) are retained for 90 days only.

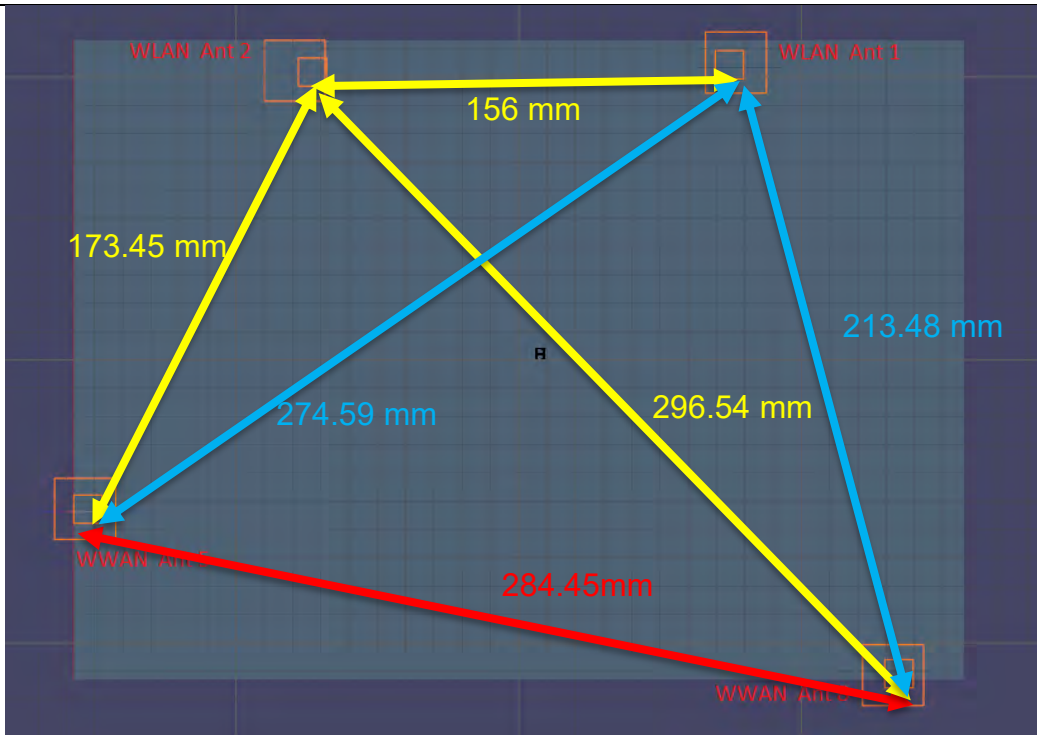
除非另有說明，此報告結果僅對測試之樣品負責，同時此樣品僅保留90天。本報告未經本公司書面許可，不可部份複製。

This document is issued by the Company subject to its General Conditions of Service printed overleaf, available on request or accessible at <http://www.sgs.com.tw/Terms-and-Conditions> and for electronic format documents, subject to Terms and Conditions for Electronic Documents at <http://www.sgs.com.tw/Terms-and-Conditions>. Attention is drawn to the limitation of liability, indemnification and jurisdiction issues defined therein. Any holder of this document is advised that information contained herein reflects the Company's findings at the time of its intervention only and within the limits of Client's instructions, if any. The Company's sole responsibility is to its Client and this document does not exonerate parties to a transaction from exercising all their rights and obligations under the transaction documents. This document cannot be reproduced except in full, without prior written approval of the Company. Any unauthorized alteration, forgery or falsification of the content or appearance of this document is unlawful and offenders may be prosecuted to the fullest extent of the law.

LTE Band 41_Ant 5+ NR n77_FCC_Ant 8 + 2.4GHz WLAN Ant 2+2.4GHz WLAN Ant 1



LTE Band 41_Ant 5+ NR n77 & n78_FCC_Ant 8 + 2.4GHz WLAN Ant 2+2.4GHz WLAN Ant 1

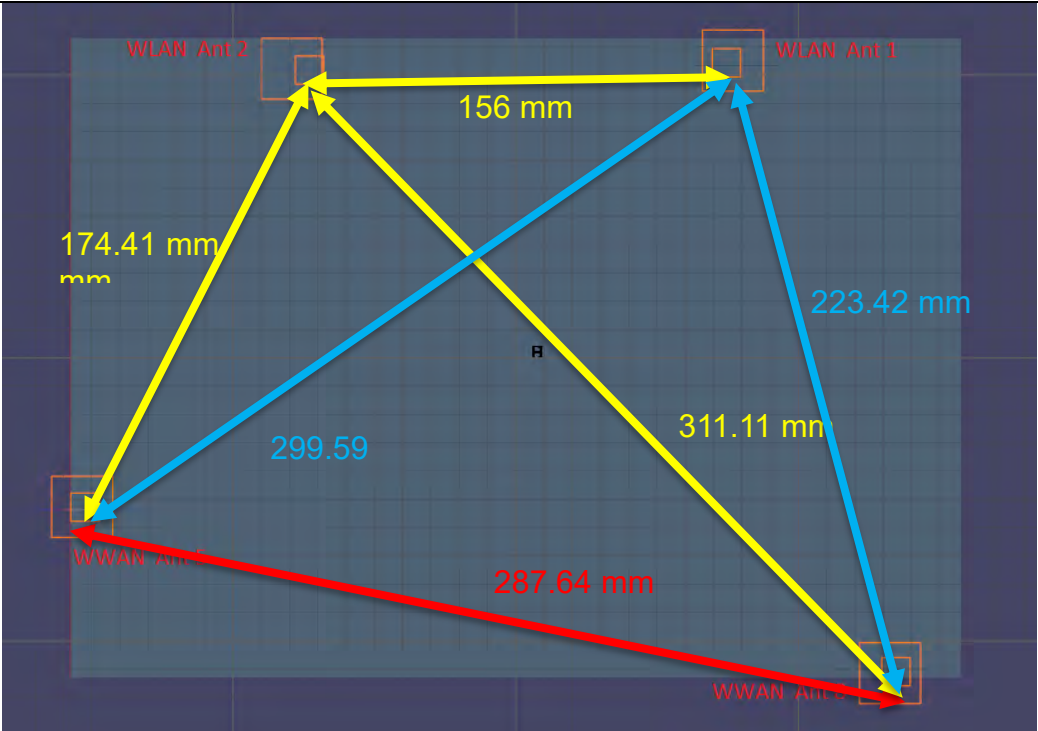


Unless otherwise stated the results shown in this test report refer only to the sample(s) tested and such sample(s) are retained for 90 days only.

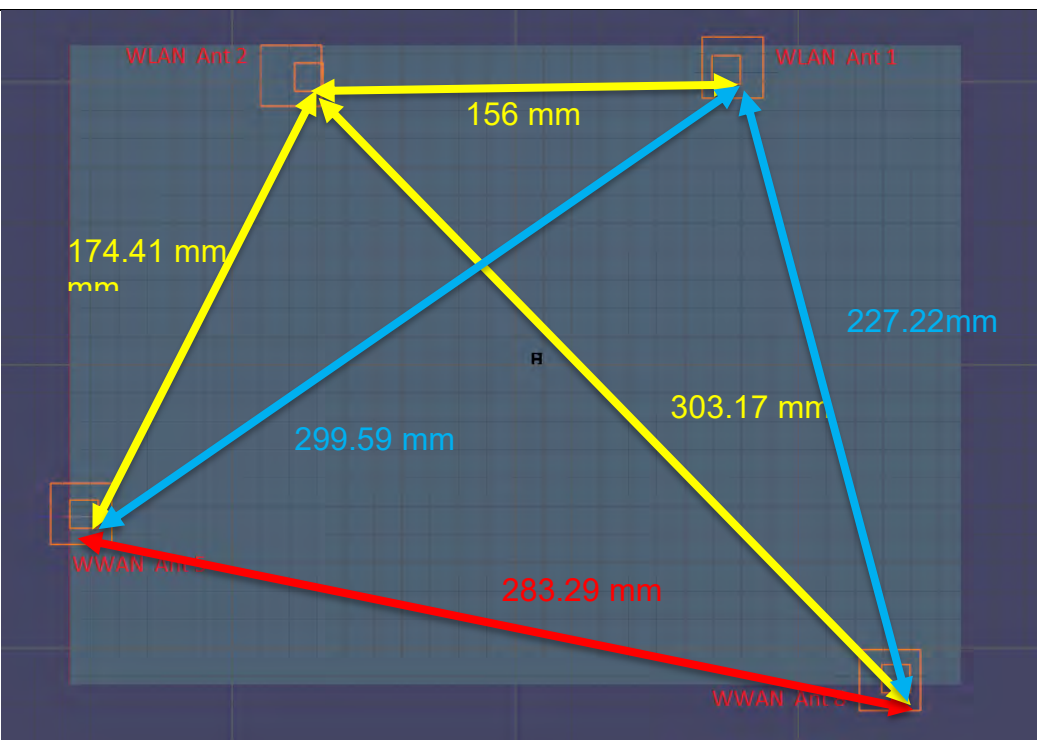
除非另有說明，此報告結果僅對測試之樣品負責，同時此樣品僅保留90天。本報告未經本公司書面許可，不可部份複製。

This document is issued by the Company subject to its General Conditions of Service printed overleaf, available on request or accessible at <http://www.sgs.com.tw/Terms-and-Conditions> and for electronic format documents, subject to Terms and Conditions for Electronic Documents at <http://www.sgs.com.tw/Terms-and-Conditions>. Attention is drawn to the limitation of liability, indemnification and jurisdiction issues defined therein. Any holder of this document is advised that information contained hereon reflects the Company's findings at the time of its intervention only and within the limits of Client's instructions, if any. The Company's sole responsibility is to its Client and this document does not exonerate parties to a transaction from exercising all their rights and obligations under the transaction documents. This document cannot be reproduced except in full, without prior written approval of the Company. Any unauthorized alteration, forgery or falsification of the content or appearance of this document is unlawful and offenders may be prosecuted to the fullest extent of the law.

NR n5_Ant 5+ LTE Band 2_Ant 8 + 2.4GHz WLAN Ant 2+2.4GHz WLAN Ant 1



NR n5_Ant 5+ LTE Band 7_Ant 8 + 2.4GHz WLAN Ant 2+2.4GHz WLAN Ant 1

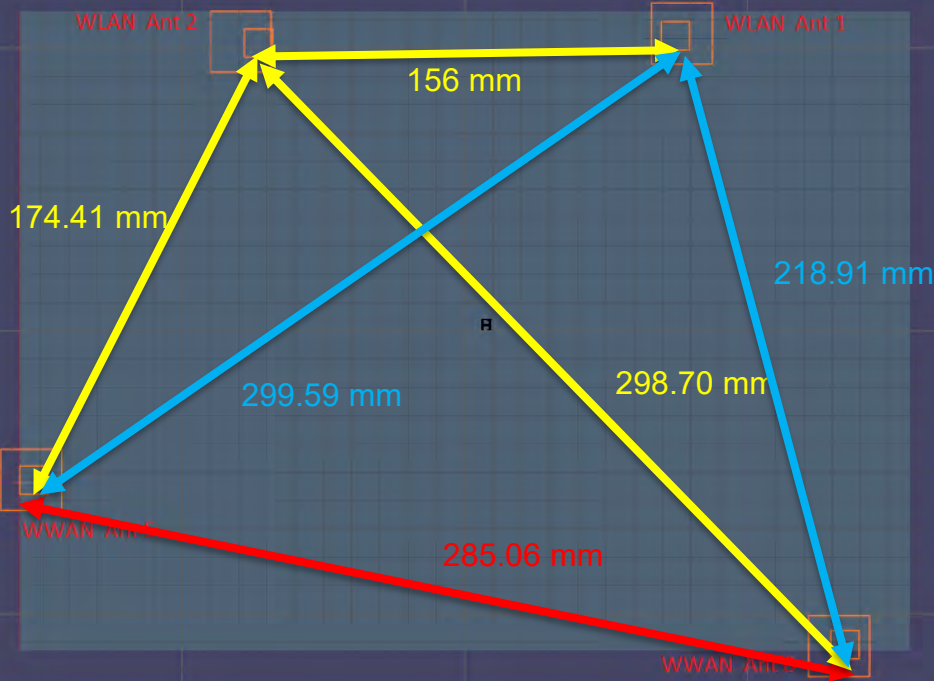


Unless otherwise stated the results shown in this test report refer only to the sample(s) tested and such sample(s) are retained for 90 days only.

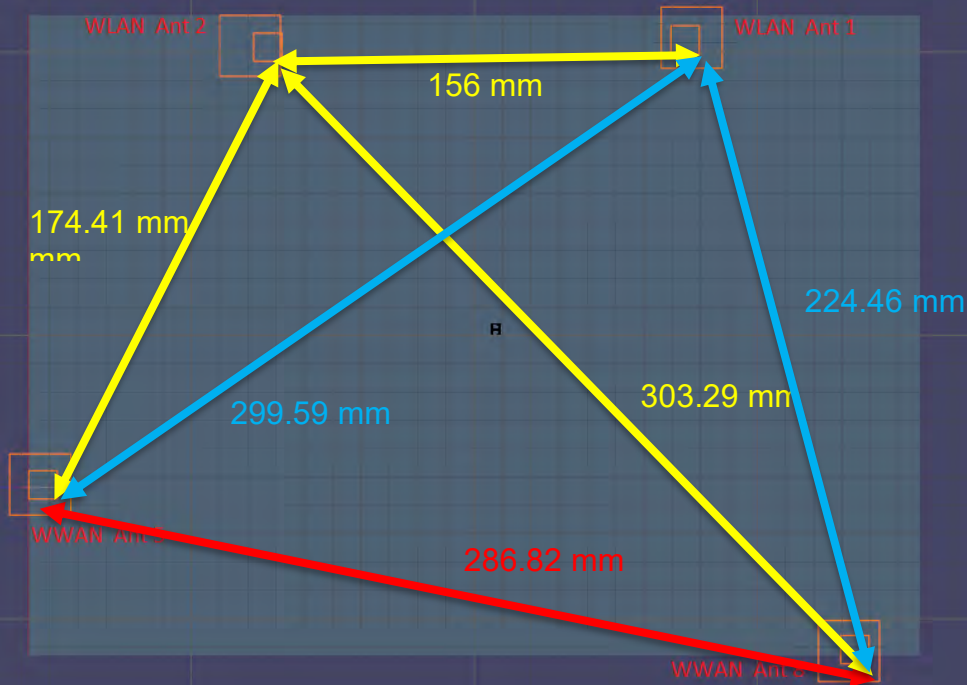
除非另有說明，此報告結果僅對測試之樣品負責，同時此樣品僅保留90天。本報告未經本公司書面許可，不可部份複製。

This document is issued by the Company subject to its General Conditions of Service printed overleaf, available on request or accessible at <http://www.sgs.com.tw/Terms-and-Conditions> and for electronic format documents, subject to Terms and Conditions for Electronic Documents at <http://www.sgs.com.tw/Terms-and-Conditions>. Attention is drawn to the limitation of liability, indemnification and jurisdiction issues defined therein. Any holder of this document is advised that information contained hereon reflects the Company's findings at the time of its intervention only and within the limits of Client's instructions, if any. The Company's sole responsibility is to its Client and this document does not exonerate parties to a transaction from exercising all their rights and obligations under the transaction documents. This document cannot be reproduced except in full, without prior written approval of the Company. Any unauthorized alteration, forgery or falsification of the content or appearance of this document is unlawful and offenders may be prosecuted to the fullest extent of the law.

NR n5_Ant 5+ LTE Band 30_Ant 8 + 2.4GHz WLAN Ant 2+2.4GHz WLAN Ant 1



NR n5_Ant 5+ LTE Band 66_Ant 8 + 2.4GHz WLAN Ant 2+2.4GHz WLAN Ant 1

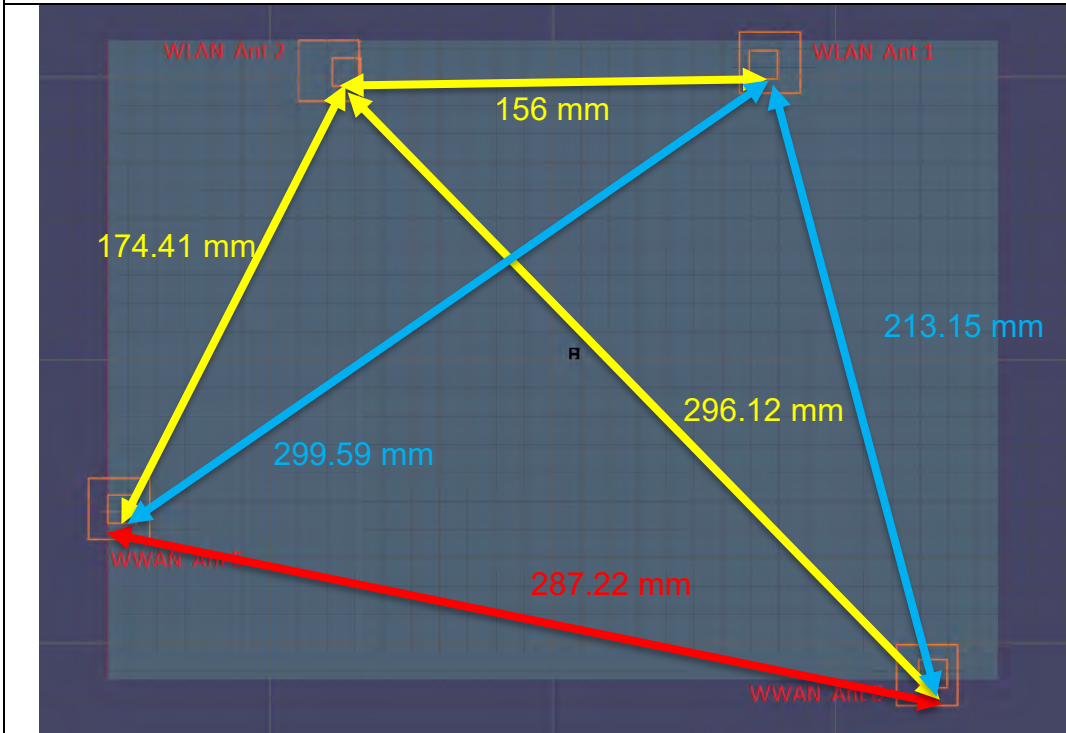


Unless otherwise stated the results shown in this test report refer only to the sample(s) tested and such sample(s) are retained for 90 days only.

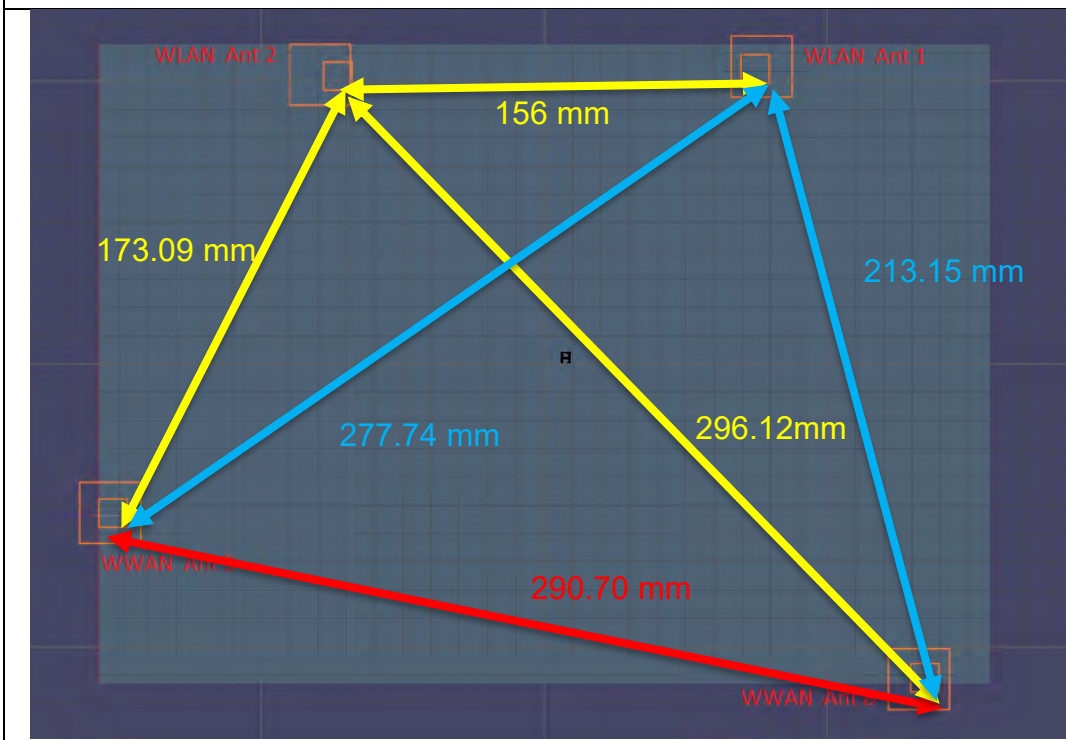
除非另有說明，此報告結果僅對測試之樣品負責，同時此樣品僅保留90天。本報告未經本公司書面許可，不可部份複製。

This document is issued by the Company subject to its General Conditions of Service printed overleaf, available on request or accessible at <http://www.sgs.com.tw/Terms-and-Conditions> and for electronic format documents, subject to Terms and Conditions for Electronic Documents at <http://www.sgs.com.tw/Terms-and-Conditions>. Attention is drawn to the limitation of liability, indemnification and jurisdiction issues defined therein. Any holder of this document is advised that information contained herein reflects the Company's findings at the time of its intervention only and within the limits of Client's instructions, if any. The Company's sole responsibility is to its Client and this document does not exonerate parties to a transaction from exercising all their rights and obligations under the transaction documents. This document cannot be reproduced except in full, without prior written approval of the Company. Any unauthorized alteration, forgery or falsification of the content or appearance of this document is unlawful and offenders may be prosecuted to the fullest extent of the law.

NR n5_Ant 5+ LTE Band 48_Ant 8 + 2.4GHz WLAN Ant 2+2.4GHz WLAN Ant 1



NR n66_Ant 5+ LTE Band 48_Ant 8 + 2.4GHz WLAN Ant 2+2.4GHz WLAN Ant 1

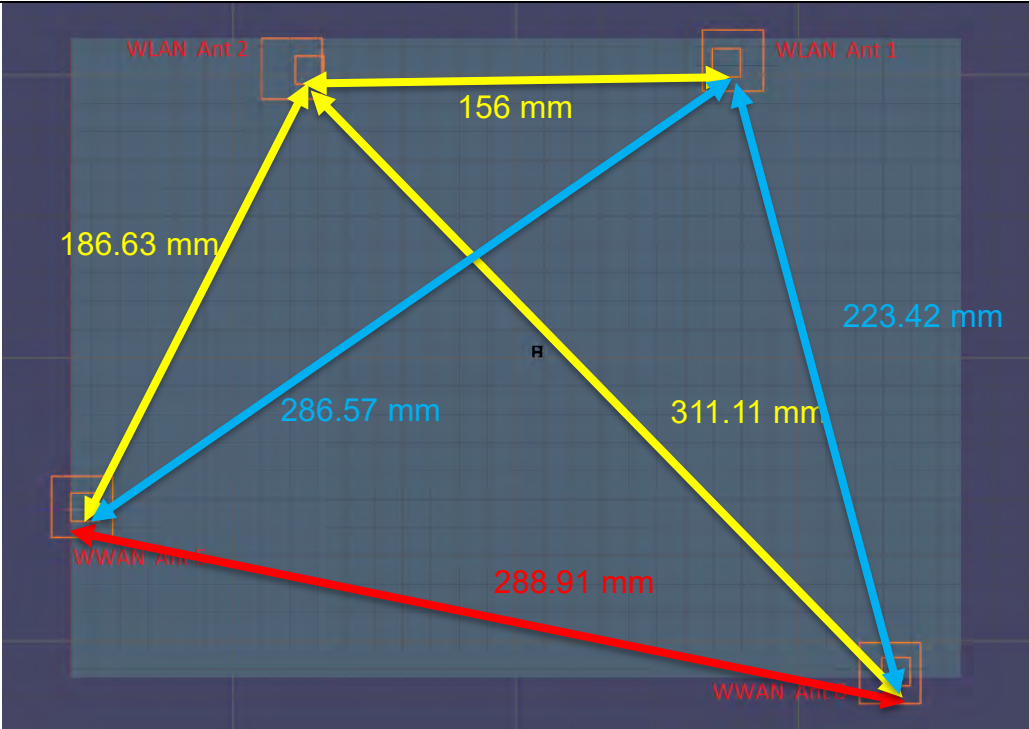


Unless otherwise stated the results shown in this test report refer only to the sample(s) tested and such sample(s) are retained for 90 days only.

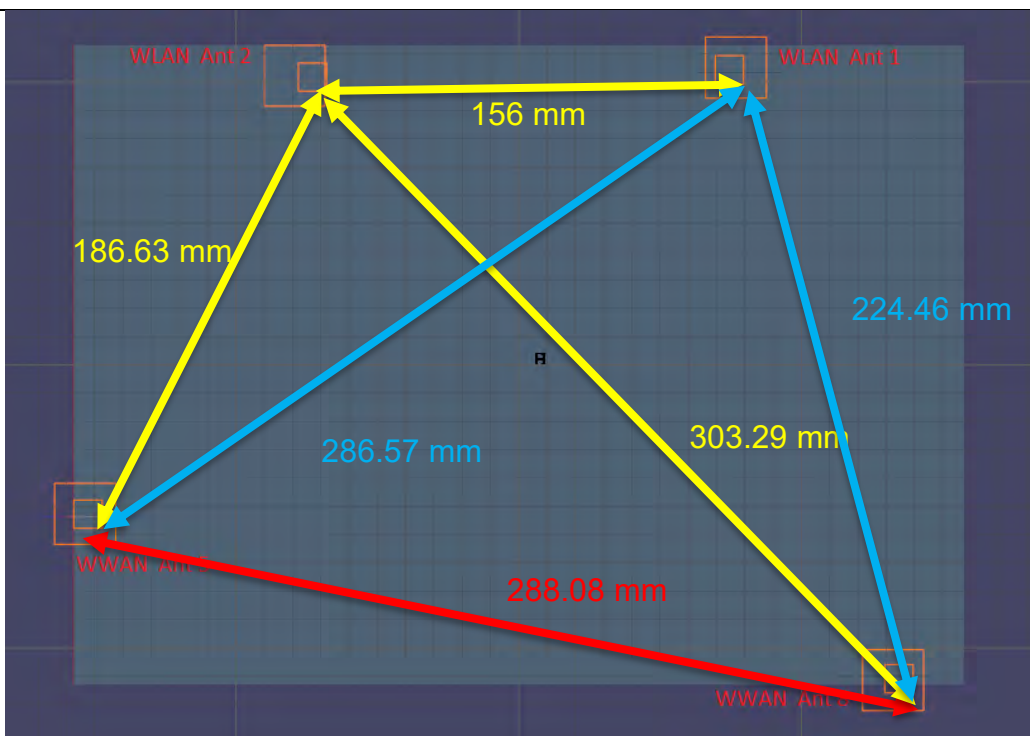
除非另有說明，此報告結果僅對測試之樣品負責，同時此樣品僅保留90天。本報告未經本公司書面許可，不可部份複製。

This document is issued by the Company subject to its General Conditions of Service printed overleaf, available on request or accessible at <http://www.sgs.com.tw/Terms-and-Conditions> and for electronic format documents, subject to Terms and Conditions for Electronic Documents at <http://www.sgs.com.tw/Terms-and-Conditions>. Attention is drawn to the limitation of liability, indemnification and jurisdiction issues defined therein. Any holder of this document is advised that information contained hereon reflects the Company's findings at the time of its intervention only and within the limits of Client's instructions, if any. The Company's sole responsibility is to its Client and this document does not exonerate parties to a transaction from exercising all their rights and obligations under the transaction documents. This document cannot be reproduced except in full, without prior written approval of the Company. Any unauthorized alteration, forgery or falsification of the content or appearance of this document is unlawful and offenders may be prosecuted to the fullest extent of the law.

NR n71_Ant 5+ LTE Band 2_Ant 8 + 2.4GHz WLAN Ant 2+2.4GHz WLAN Ant 1



NR n71_Ant 5+ LTE Band 66_Ant 8 + 2.4GHz WLAN Ant 2+2.4GHz WLAN Ant 1

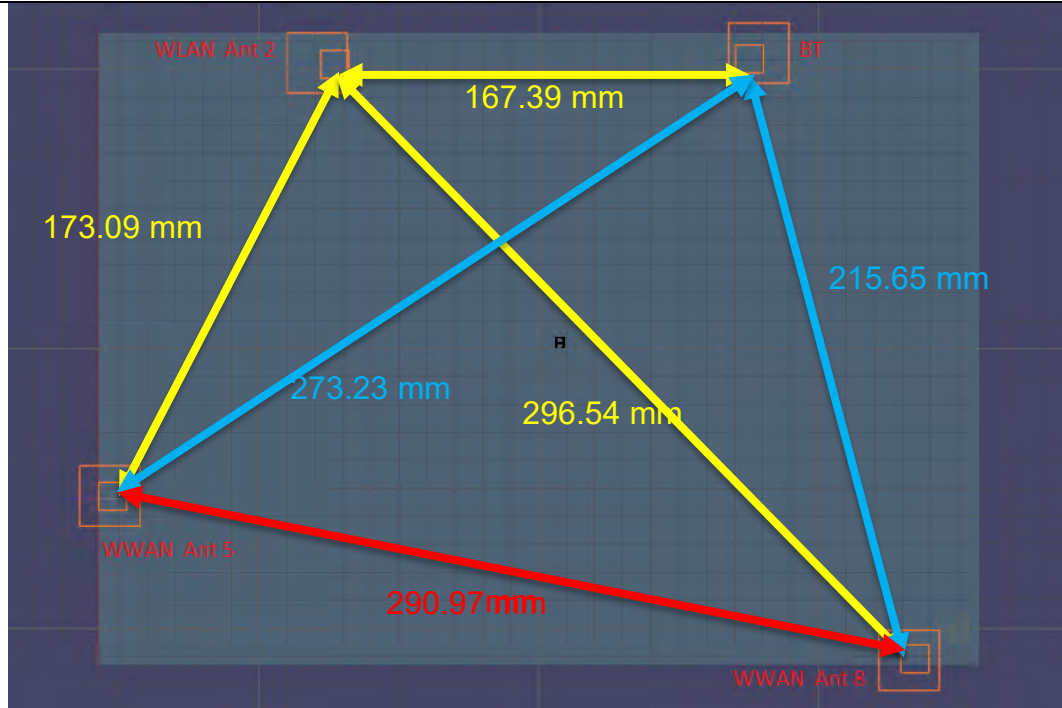


Unless otherwise stated the results shown in this test report refer only to the sample(s) tested and such sample(s) are retained for 90 days only.

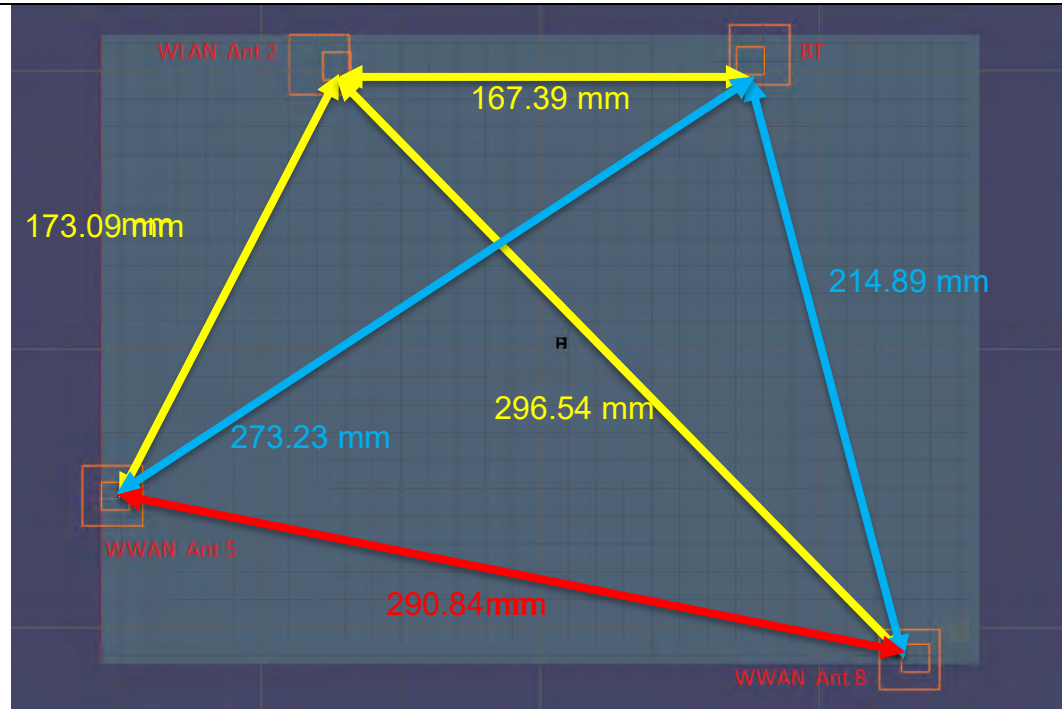
除非另有說明，此報告結果僅對測試之樣品負責，同時此樣品僅保留90天。本報告未經本公司書面許可，不可部份複製。

This document is issued by the Company subject to its General Conditions of Service printed overleaf, available on request or accessible at <http://www.sgs.com.tw/Terms-and-Conditions> and for electronic format documents, subject to Terms and Conditions for Electronic Documents at <http://www.sgs.com.tw/Terms-and-Conditions>. Attention is drawn to the limitation of liability, indemnification and jurisdiction issues defined therein. Any holder of this document is advised that information contained hereon reflects the Company's findings at the time of its intervention only and within the limits of Client's instructions, if any. The Company's sole responsibility is to its Client and this document does not exonerate parties to a transaction from exercising all their rights and obligations under the transaction documents. This document cannot be reproduced except in full, without prior written approval of the Company. Any unauthorized alteration, forgery or falsification of the content or appearance of this document is unlawful and offenders may be prosecuted to the fullest extent of the law.

LTE Band 2_Ant 5+ NR n77_FCC_Ant 8 + 2.4GHz WLAN Ant 2+ Bluetooth Ant 1



LTE Band 2_Ant 5+ NR n77 & n78_FCC_Ant 8 + 2.4GHz WLAN Ant 2+ Bluetooth Ant 1

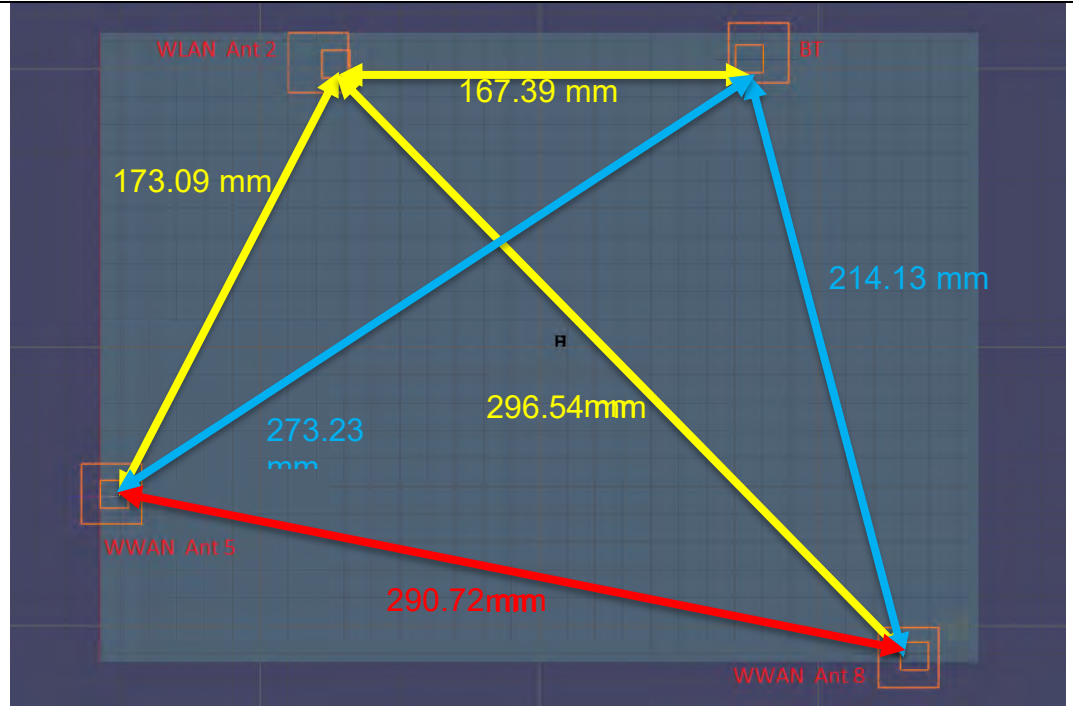


Unless otherwise stated the results shown in this test report refer only to the sample(s) tested and such sample(s) are retained for 90 days only.

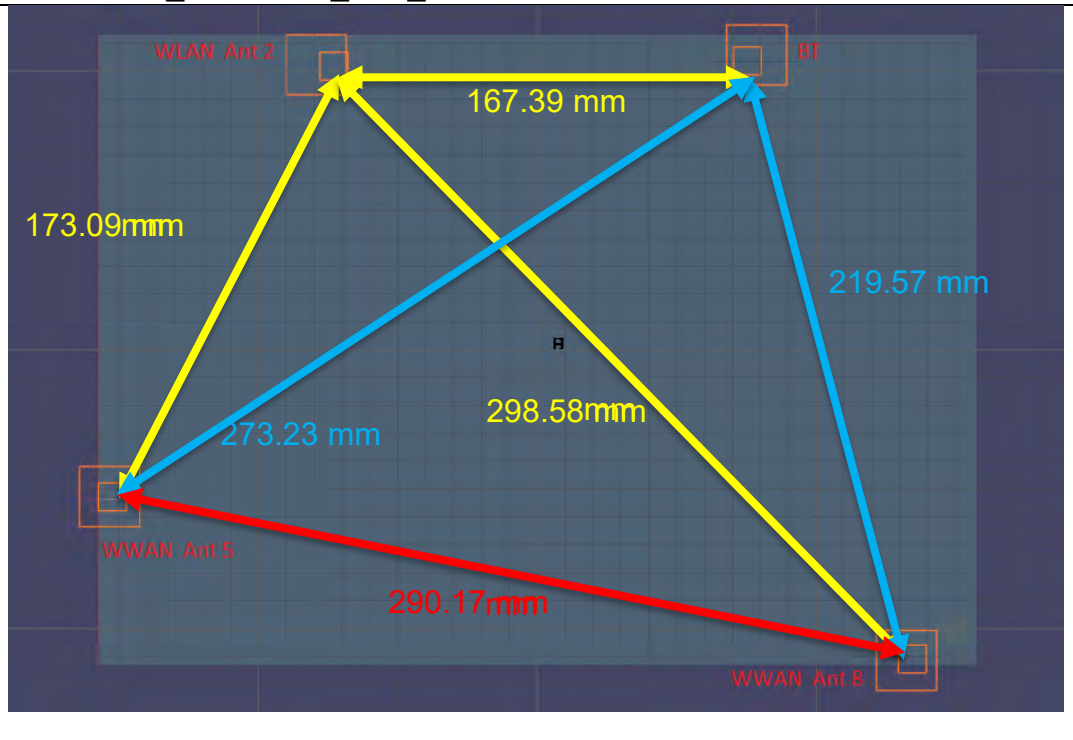
除非另有說明，此報告結果僅對測試之樣品負責，同時此樣品僅保留90天。本報告未經本公司書面許可，不可部份複製。

This document is issued by the Company subject to its General Conditions of Service printed overleaf, available on request or accessible at <http://www.sgs.com.tw/Terms-and-Conditions> and for electronic format documents, subject to Terms and Conditions for Electronic Documents at <http://www.sgs.com.tw/Terms-and-Conditions>. Attention is drawn to the limitation of liability, indemnification and jurisdiction issues defined therein. Any holder of this document is advised that information contained herein reflects the Company's findings at the time of its intervention only and within the limits of Client's instructions, if any. The Company's sole responsibility is to its Client and this document does not exonerate parties to a transaction from exercising all their rights and obligations under the transaction documents. This document cannot be reproduced except in full, without prior written approval of the Company. Any unauthorized alteration, forgery or falsification of the content or appearance of this document is unlawful and offenders may be prosecuted to the fullest extent of the law.

LTE Band 2_Ant 5+ NR n78_FCC_Ant 8 + 2.4GHz WLAN Ant 2+ Bluetooth Ant 1



LTE Band 2_Ant 5+ CA_41C_Ant 8 + 2.4GHz WLAN Ant 2+ Bluetooth Ant 1

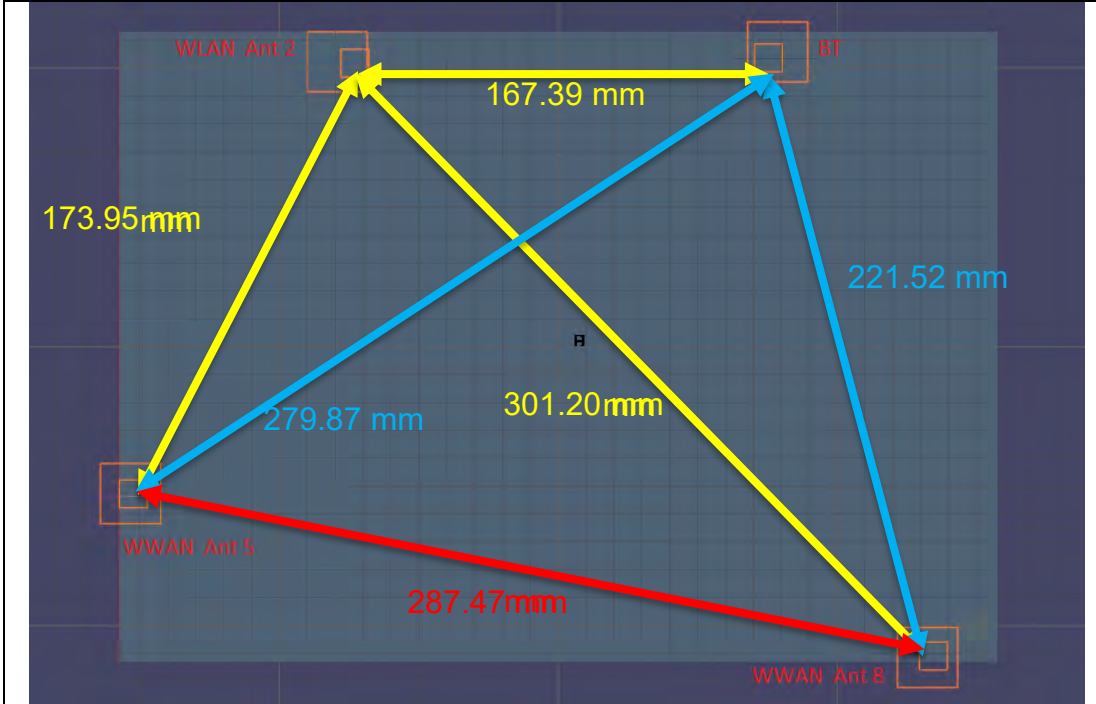


Unless otherwise stated the results shown in this test report refer only to the sample(s) tested and such sample(s) are retained for 90 days only.

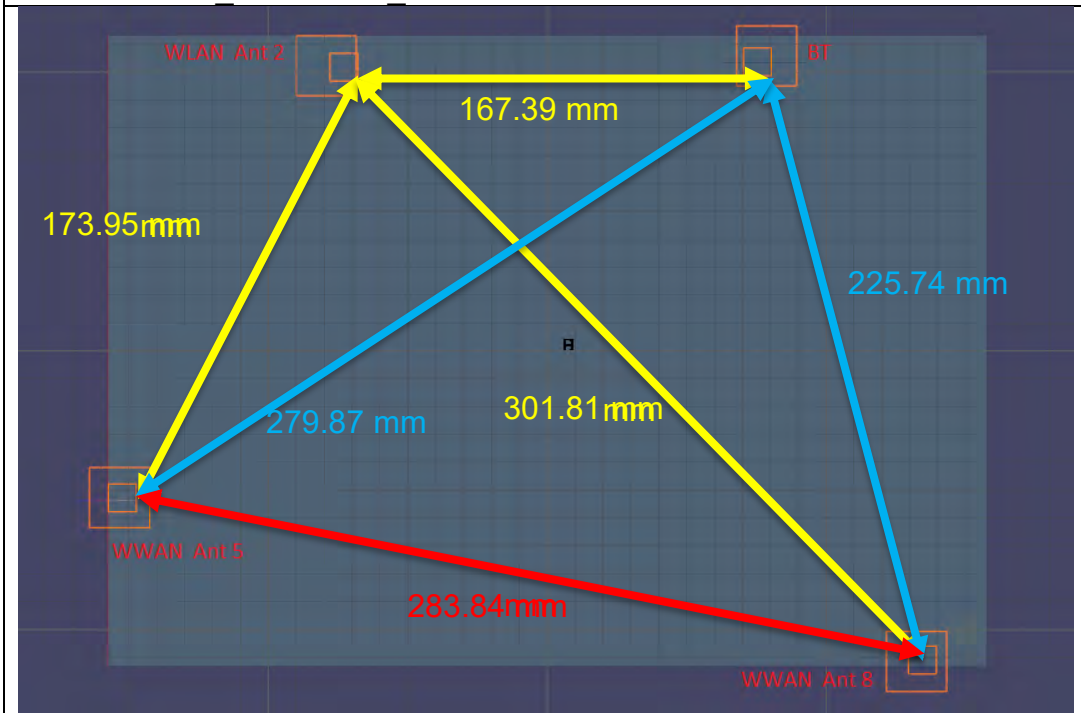
除非另有說明，此報告結果僅對測試之樣品負責，同時此樣品僅保留90天。本報告未經本公司書面許可，不可部份複製。

This document is issued by the Company subject to its General Conditions of Service printed overleaf, available on request or accessible at <http://www.sgs.com.tw/Terms-and-Conditions> and for electronic format documents, subject to Terms and Conditions for Electronic Documents at <http://www.sgs.com.tw/Terms-and-Conditions>. Attention is drawn to the limitation of liability, indemnification and jurisdiction issues defined therein. Any holder of this document is advised that information contained hereon reflects the Company's findings at the time of its intervention only and within the limits of Client's instructions, if any. The Company's sole responsibility is to its Client and this document does not exonerate parties to a transaction from exercising all their rights and obligations under the transaction documents. This document cannot be reproduced except in full, without prior written approval of the Company. Any unauthorized alteration, forgery or falsification of the content or appearance of this document is unlawful and offenders may be prosecuted to the fullest extent of the law.

LTE Band 5 Ant 5+ NR n2 Ant 8 + 2.4GHz WLAN Ant 2+ Bluetooth Ant 1



LTE Band 5 5+ NR n66 Ant 8 + 2.4GHz WLAN Ant 2+Bluetooth Ant 1

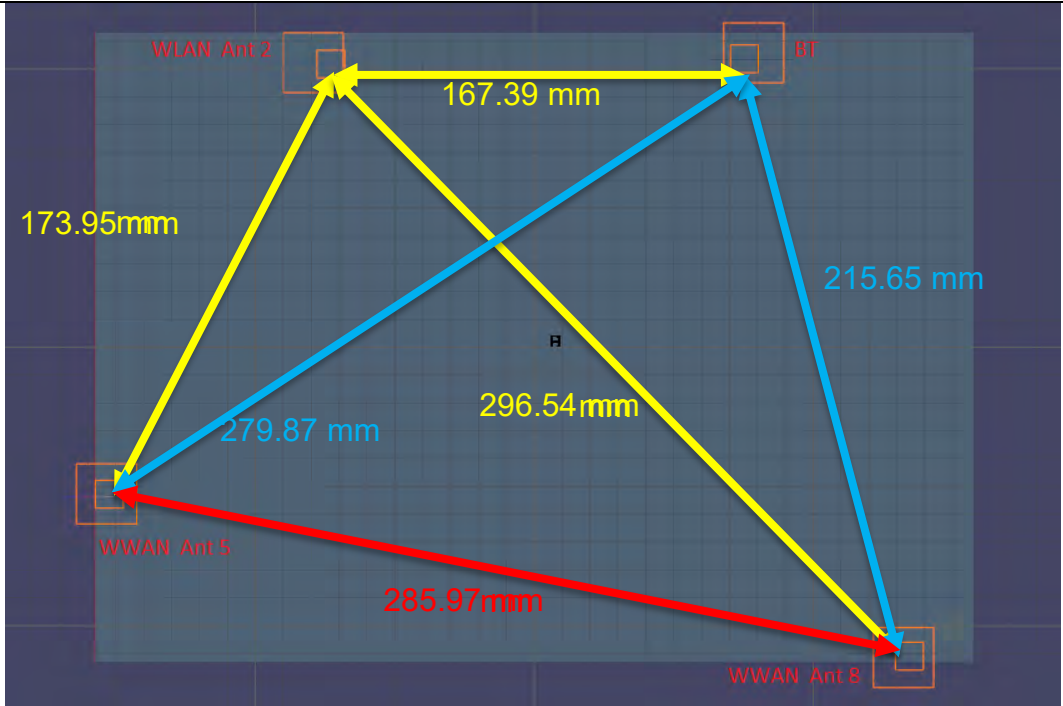


Unless otherwise stated the results shown in this test report refer only to the sample(s) tested and such sample(s) are retained for 90 days only.

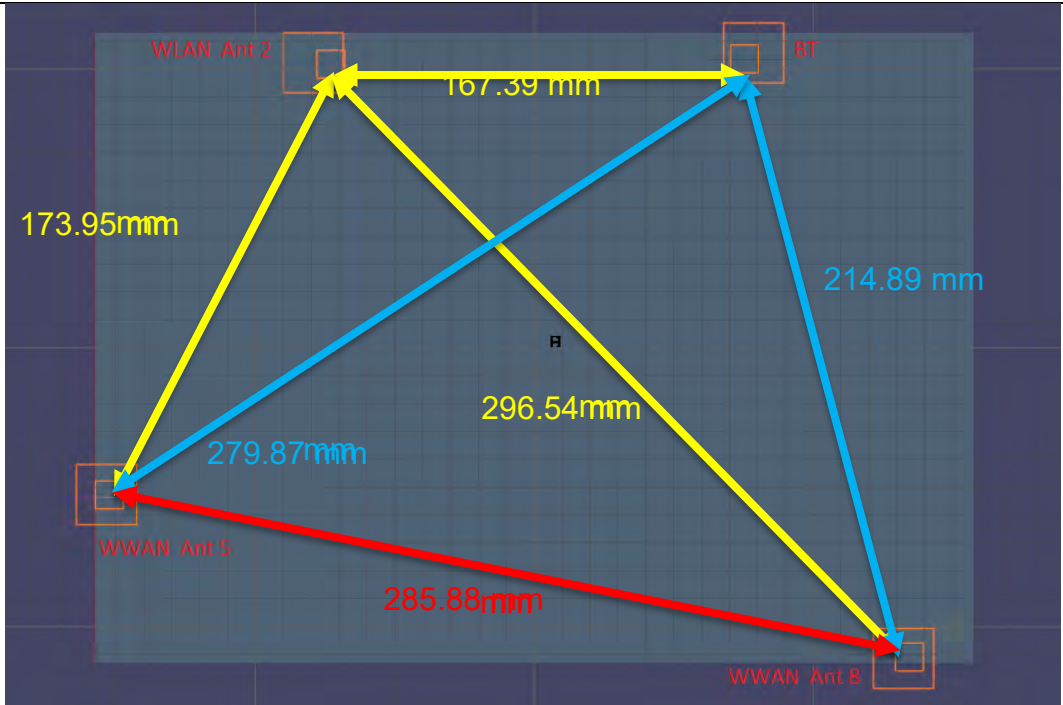
除非另有說明，此報告結果僅對測試之樣品負責，同時此樣品僅保留90天。本報告未經本公司書面許可，不可部份複製。

This document is issued by the Company subject to its General Conditions of Service printed overleaf, available on request or accessible at <http://www.sgs.com.tw/Terms-and-Conditions> and for electronic format documents, subject to Terms and Conditions for Electronic Documents at <http://www.sgs.com.tw/Terms-and-Conditions>. Attention is drawn to the limitation of liability, indemnification and jurisdiction issues defined therein. Any holder of this document is advised that information contained hereon reflects the Company's findings at the time of its intervention only and within the limits of Client's instructions, if any. The Company's sole responsibility is to its Client and this document does not exonerate parties to a transaction from exercising all their rights and obligations under the transaction documents. This document cannot be reproduced except in full, without prior written approval of the Company. Any unauthorized alteration, forgery or falsification of the content or appearance of this document is unlawful and offenders may be prosecuted to the fullest extent of the law.

LTE Band 5_Ant 5+ NR n77_FCC_Ant 8 + 2.4GHz WLAN Ant 2+Bluetooth Ant 1



LTE Band 5_Ant 5+ NR n77 & n78_FCC_Ant 8 + 2.4GHz WLAN Ant 2+Bluetooth Ant 1

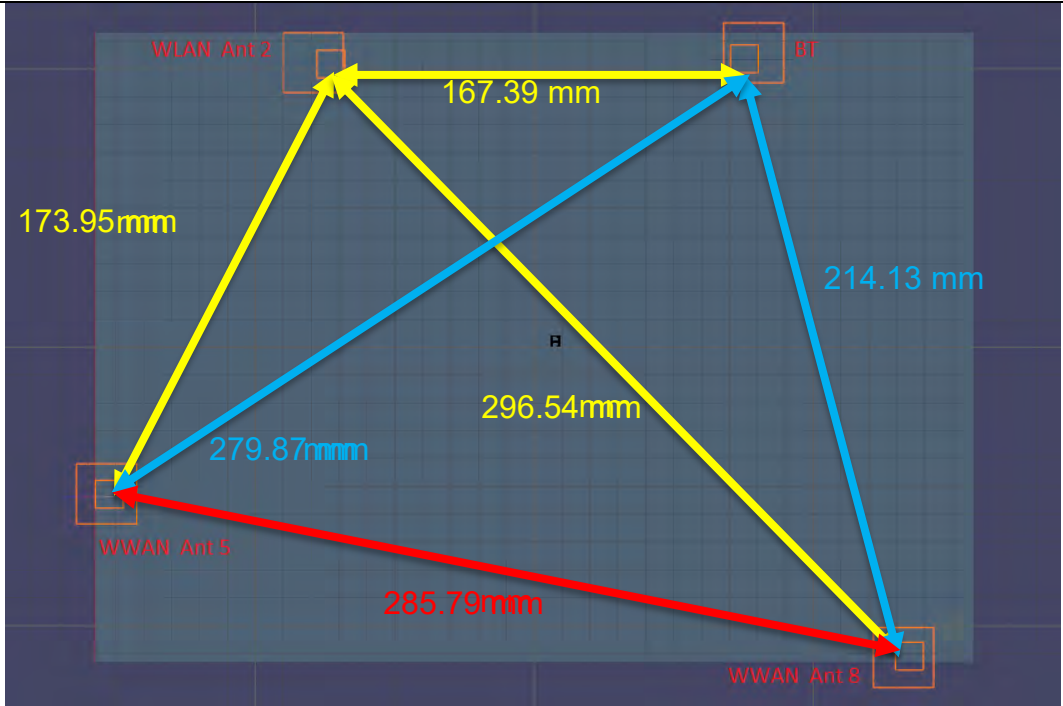


Unless otherwise stated the results shown in this test report refer only to the sample(s) tested and such sample(s) are retained for 90 days only.

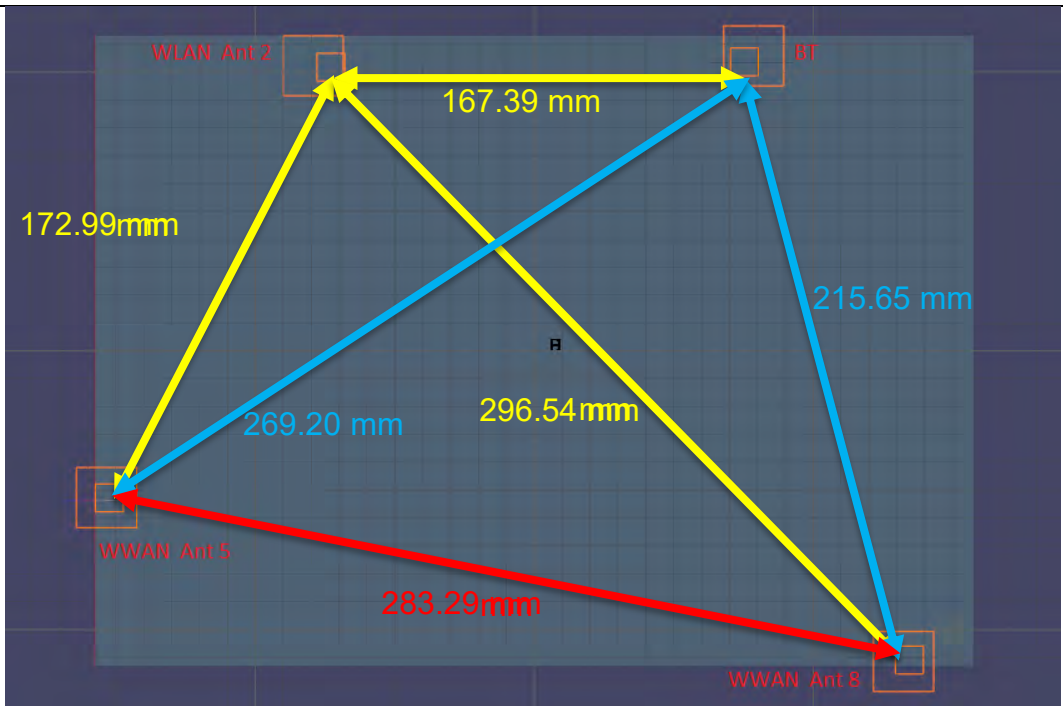
除非另有說明，此報告結果僅對測試之樣品負責，同時此樣品僅保留90天。本報告未經本公司書面許可，不可部份複製。

This document is issued by the Company subject to its General Conditions of Service printed overleaf, available on request or accessible at <http://www.sgs.com.tw/Terms-and-Conditions> and for electronic format documents, subject to Terms and Conditions for Electronic Documents at <http://www.sgs.com.tw/Terms-and-Conditions>. Attention is drawn to the limitation of liability, indemnification and jurisdiction issues defined therein. Any holder of this document is advised that information contained herein reflects the Company's findings at the time of its intervention only and within the limits of Client's instructions, if any. The Company's sole responsibility is to its Client and this document does not exonerate parties to a transaction from exercising all their rights and obligations under the transaction documents. This document cannot be reproduced except in full, without prior written approval of the Company. Any unauthorized alteration, forgery or falsification of the content or appearance of this document is unlawful and offenders may be prosecuted to the fullest extent of the law.

LTE Band 5_Ant 5+ NR n78_FCC_Ant 8 + 2.4GHz WLAN Ant 2+Bluetooth Ant 1



LTE Band 7_Ant 5+ NR n77_FCC_Ant 8 + 2.4GHz WLAN Ant 2+Bluetooth Ant 1

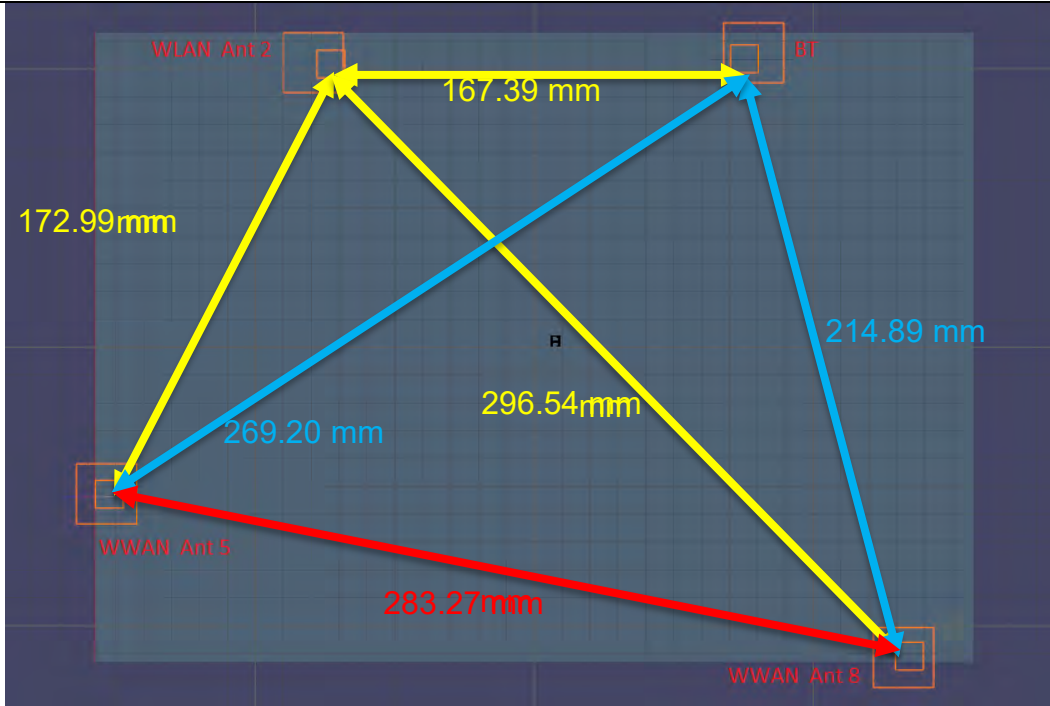


Unless otherwise stated the results shown in this test report refer only to the sample(s) tested and such sample(s) are retained for 90 days only.

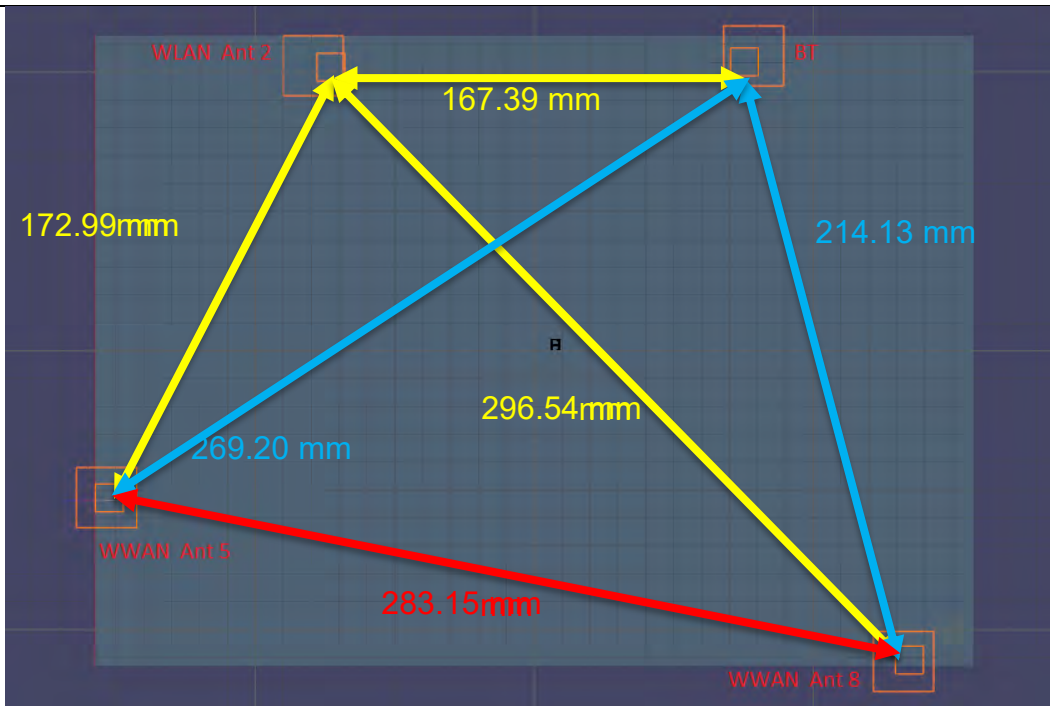
除非另有說明，此報告結果僅對測試之樣品負責，同時此樣品僅保留90天。本報告未經本公司書面許可，不可部份複製。

This document is issued by the Company subject to its General Conditions of Service printed overleaf, available on request or accessible at <http://www.sgs.com.tw/Terms-and-Conditions> and for electronic format documents, subject to Terms and Conditions for Electronic Documents at <http://www.sgs.com.tw/Terms-and-Conditions>. Attention is drawn to the limitation of liability, indemnification and jurisdiction issues defined therein. Any holder of this document is advised that information contained hereon reflects the Company's findings at the time of its intervention only and within the limits of Client's instructions, if any. The Company's sole responsibility is to its Client and this document does not exonerate parties to a transaction from exercising all their rights and obligations under the transaction documents. This document cannot be reproduced except in full, without prior written approval of the Company. Any unauthorized alteration, forgery or falsification of the content or appearance of this document is unlawful and offenders may be prosecuted to the fullest extent of the law.

LTE Band 7_Ant 5+ NR n77 & n78_FCC_Ant 8 + 2.4GHz WLAN Ant 2+Bluetooth Ant 1



LTE Band 7_Ant 5+ NR n78_FCC_Ant 8 + 2.4GHz WLAN Ant 2+Bluetooth Ant 1

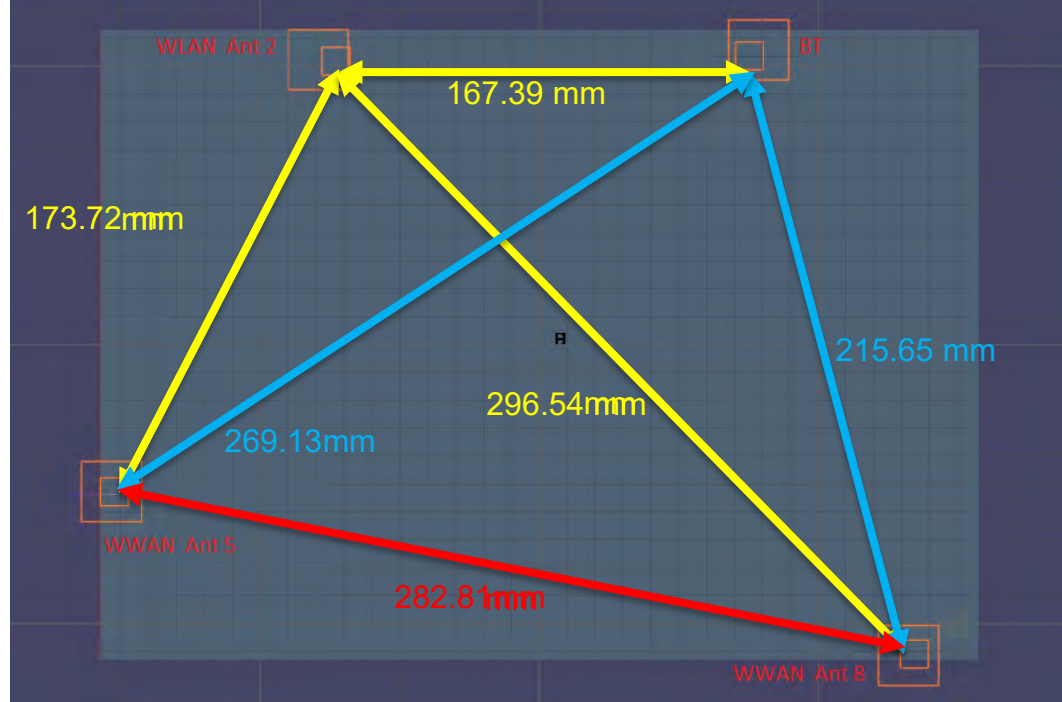


Unless otherwise stated the results shown in this test report refer only to the sample(s) tested and such sample(s) are retained for 90 days only.

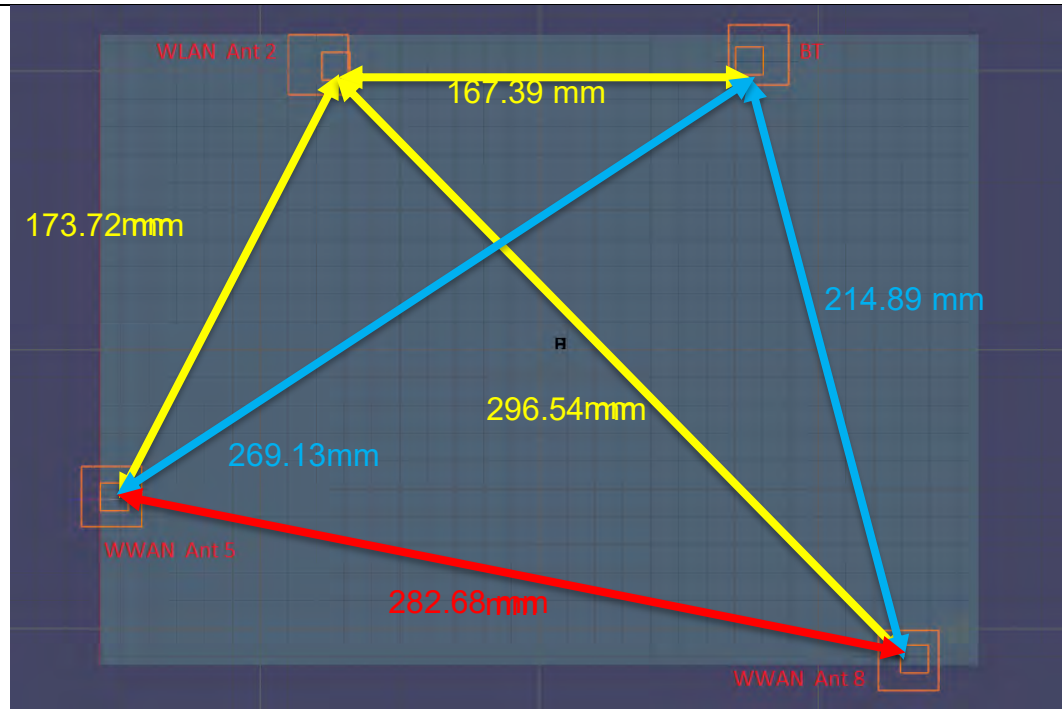
除非另有說明，此報告結果僅對測試之樣品負責，同時此樣品僅保留90天。本報告未經本公司書面許可，不可部份複製。

This document is issued by the Company subject to its General Conditions of Service printed overleaf, available on request or accessible at <http://www.sgs.com.tw/Terms-and-Conditions> and for electronic format documents, subject to Terms and Conditions for Electronic Documents at <http://www.sgs.com.tw/Terms-and-Conditions>. Attention is drawn to the limitation of liability, indemnification and jurisdiction issues defined therein. Any holder of this document is advised that information contained hereon reflects the Company's findings at the time of its intervention only and within the limits of Client's instructions, if any. The Company's sole responsibility is to its Client and this document does not exonerate parties to a transaction from exercising all their rights and obligations under the transaction documents. This document cannot be reproduced except in full, without prior written approval of the Company. Any unauthorized alteration, forgery or falsification of the content or appearance of this document is unlawful and offenders may be prosecuted to the fullest extent of the law.

CA 7C Ant 5+ NR n77 FCC Ant 8 + 2.4GHz WLAN Ant 2+Bluetooth Ant 1



CA_7C_Ant 5+ NR n77 & n78 FCC Ant 8 + 2.4GHz WLAN Ant 2+Bluetooth Ant 1

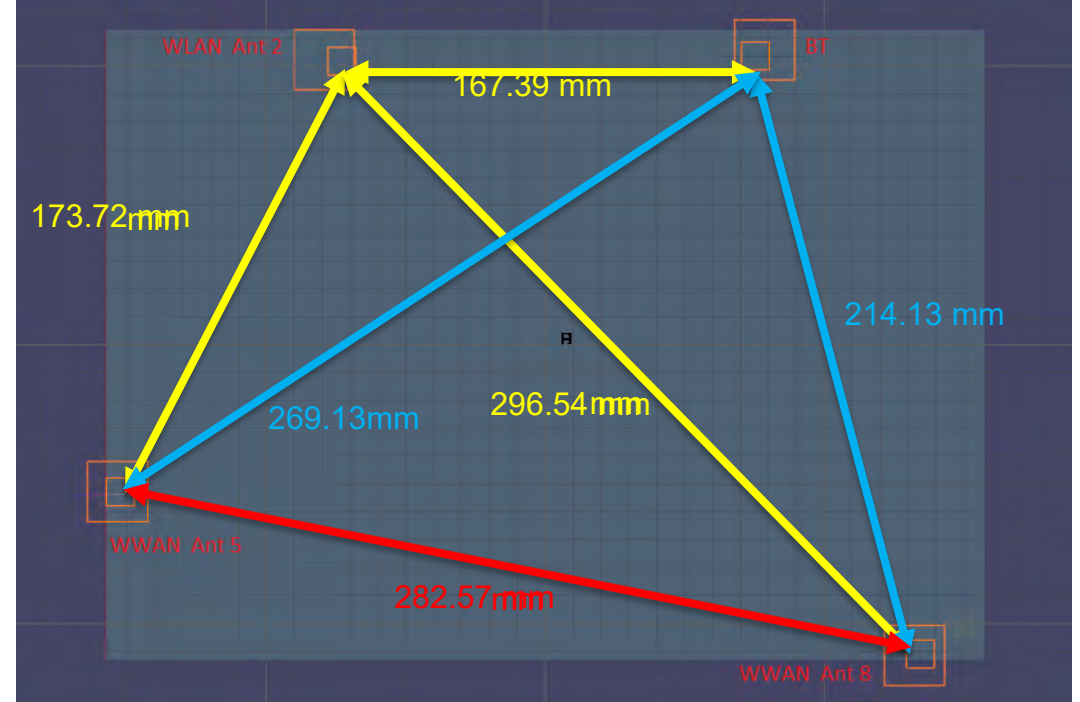


Unless otherwise stated the results shown in this test report refer only to the sample(s) tested and such sample(s) are retained for 90 days only.

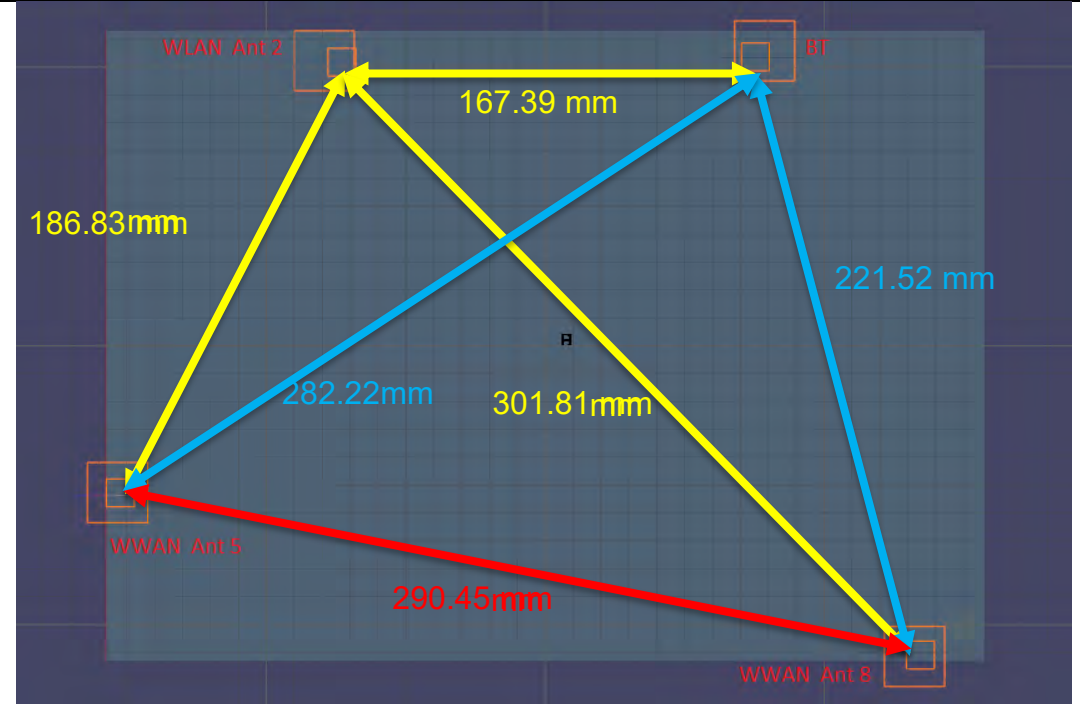
除非另有說明，此報告結果僅對測試之樣品負責，同時此樣品僅保留90天。本報告未經本公司書面許可，不可部份複製。

This document is issued by the Company subject to its General Conditions of Service printed overleaf, available on request or accessible at <http://www.sgs.com.tw/Terms-and-Conditions> and for electronic format documents, subject to Terms and Conditions for Electronic Documents at <http://www.sgs.com.tw/Terms-and-Conditions>. Attention is drawn to the limitation of liability, indemnification and jurisdiction issues defined therein. Any holder of this document is advised that information contained hereon reflects the Company's findings at the time of its intervention only and within the limits of Client's instructions, if any. The Company's sole responsibility is to its Client and this document does not exonerate parties to a transaction from exercising all their rights and obligations under the transaction documents. This document cannot be reproduced except in full, without prior written approval of the Company. Any unauthorized alteration, forgery or falsification of the content or appearance of this document is unlawful and offenders may be prosecuted to the fullest extent of the law.

CA 7C Ant 5+ NR n78 FCC Ant 8 + 2.4GHz WLAN Ant 2+Bluetooth Ant 1



LTE Band 12 Ant 5+ NR n2 Ant 8 + 2.4GHz WLAN Ant 2+Bluetooth Ant 1

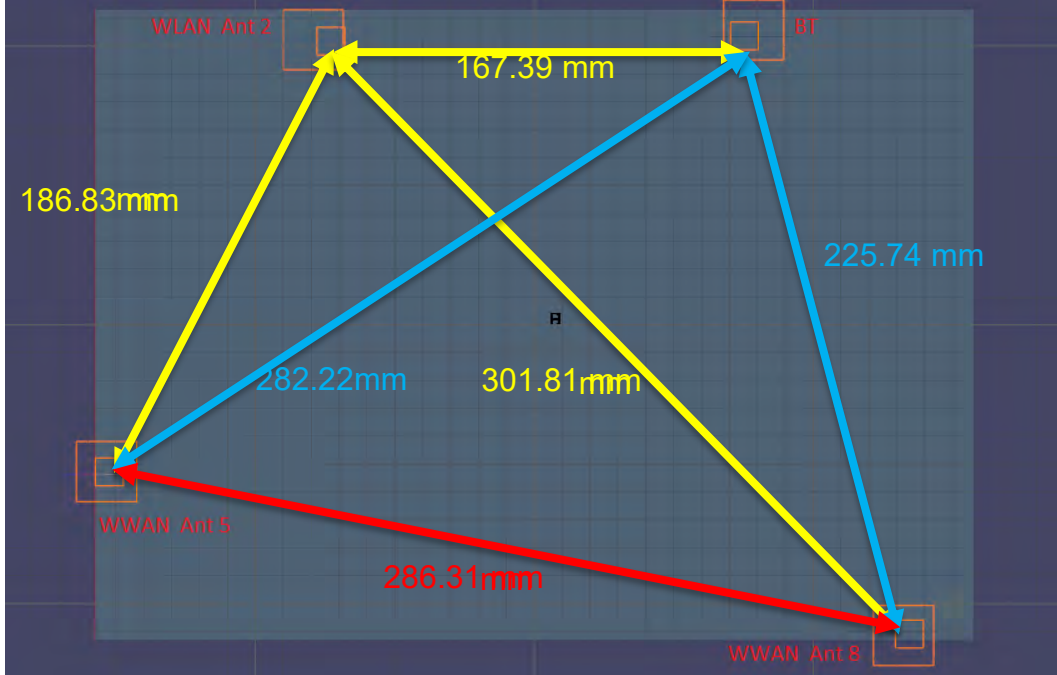


Unless otherwise stated the results shown in this test report refer only to the sample(s) tested and such sample(s) are retained for 90 days only.

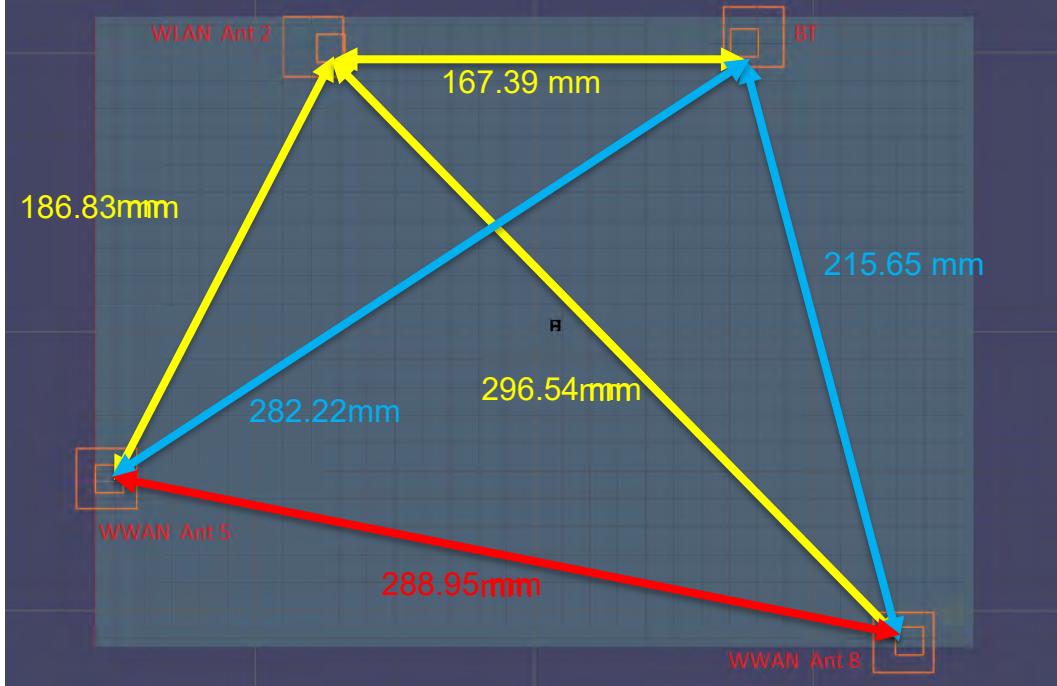
除非另有說明，此報告結果僅對測試之樣品負責，同時此樣品僅保留90天。本報告未經本公司書面許可，不可部份複製。

This document is issued by the Company subject to its General Conditions of Service printed overleaf, available on request or accessible at <http://www.sgs.com.tw/Terms-and-Conditions> and for electronic format documents, subject to Terms and Conditions for Electronic Documents at <http://www.sgs.com.tw/Terms-and-Conditions>. Attention is drawn to the limitation of liability, indemnification and jurisdiction issues defined therein. Any holder of this document is advised that information contained herein reflects the Company's findings at the time of its intervention only and within the limits of Client's instructions, if any. The Company's sole responsibility is to its Client and this document does not exonerate parties to a transaction from exercising all their rights and obligations under the transaction documents. This document cannot be reproduced except in full, without prior written approval of the Company. Any unauthorized alteration, forgery or falsification of the content or appearance of this document is unlawful and offenders may be prosecuted to the fullest extent of the law.

LTE Band 12 Ant 5+ NR n66 Ant 8 + 2.4GHz WLAN Ant 2+Bluetooth Ant 1



LTE Band 12_Ant 5+ NR n77_FCC_Ant 8 + 2.4GHz WLAN Ant 2+Bluetooth Ant 1

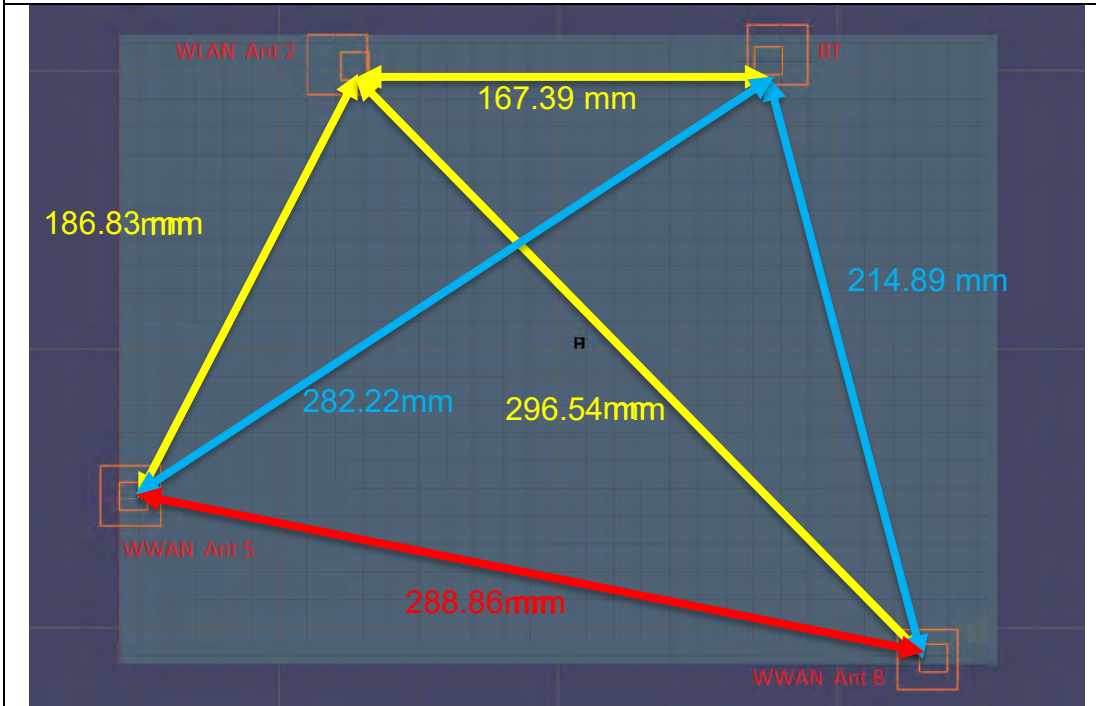


Unless otherwise stated the results shown in this test report refer only to the sample(s) tested and such sample(s) are retained for 90 days only.

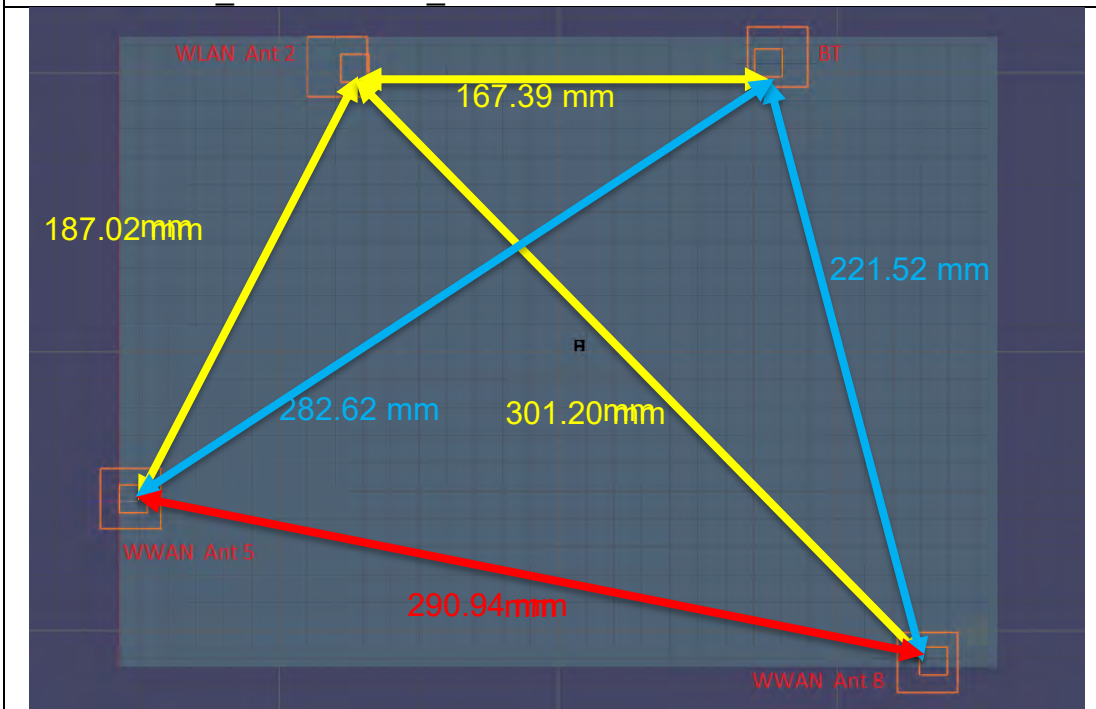
除非另有說明，此報告結果僅對測試之樣品負責，同時此樣品僅保留90天。本報告未經本公司書面許可，不可部份複製。

This document is issued by the Company subject to its General Conditions of Service printed overleaf, available on request or accessible at <http://www.sgs.com.tw/Terms-and-Conditions> and for electronic format documents, subject to Terms and Conditions for Electronic Documents at <http://www.sgs.com.tw/Terms-and-Conditions>. Attention is drawn to the limitation of liability, indemnification and jurisdiction issues defined therein. Any holder of this document is advised that information contained hereon reflects the Company's findings at the time of its intervention only and within the limits of Client's instructions, if any. The Company's sole responsibility is to its Client and this document does not exonerate parties to a transaction from exercising all their rights and obligations under the transaction documents. This document cannot be reproduced except in full, without prior written approval of the Company. Any unauthorized alteration, forgery or falsification of the content or appearance of this document is unlawful and offenders may be prosecuted to the fullest extent of the law.

LTE Band 12_Ant 5+ NR n77 & n78_FCC_Ant 8 + 2.4GHz WLAN Ant 2+ Bluetooth Ant 1



LTE Band 13_Ant 5+ NR n2_Ant 8 + 2.4GHz WLAN Ant 2+Bluetooth Ant 1

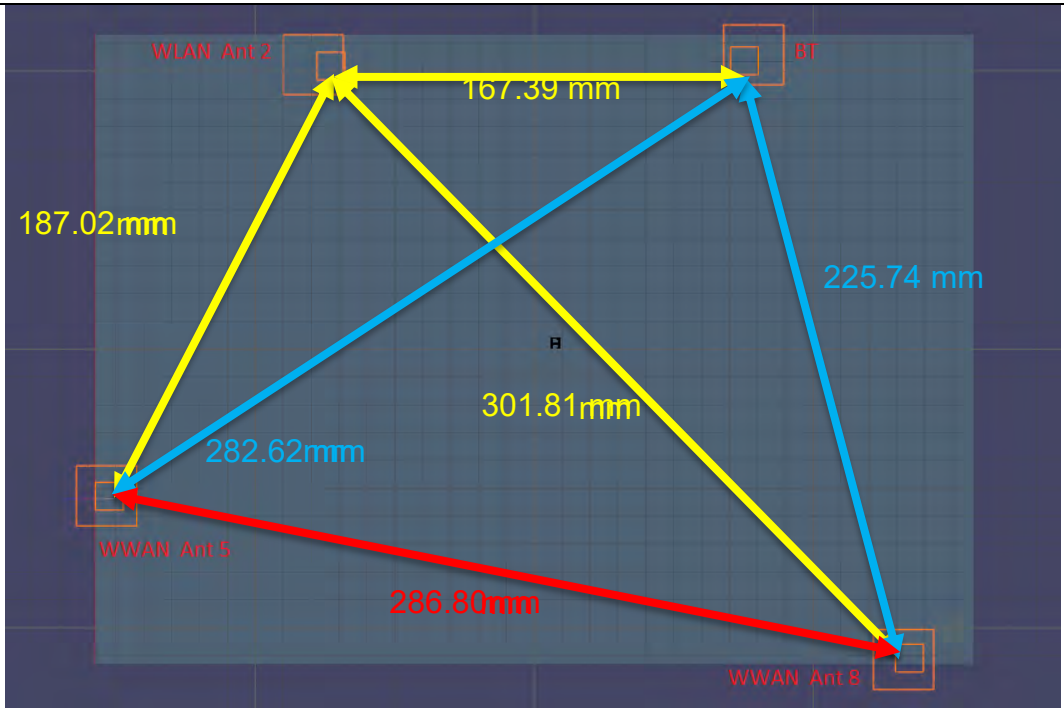


Unless otherwise stated the results shown in this test report refer only to the sample(s) tested and such sample(s) are retained for 90 days only.

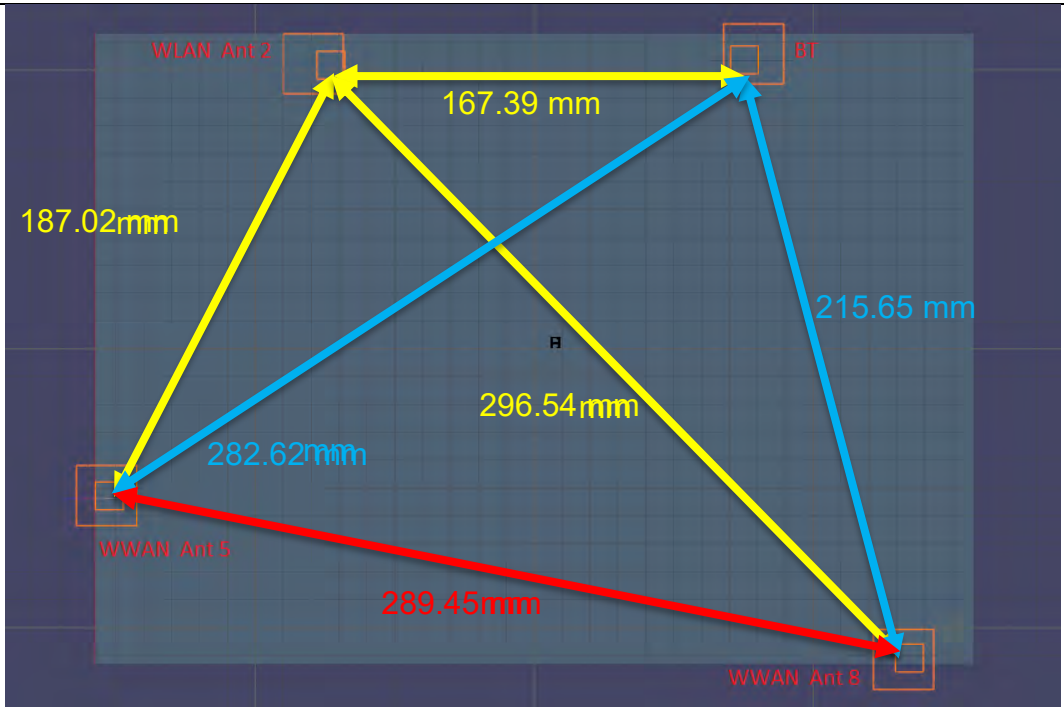
除非另有說明，此報告結果僅對測試之樣品負責，同時此樣品僅保留90天。本報告未經本公司書面許可，不可部份複製。

This document is issued by the Company subject to its General Conditions of Service printed overleaf, available on request or accessible at <http://www.sgs.com.tw/Terms-and-Conditions> and for electronic format documents, subject to Terms and Conditions for Electronic Documents at <http://www.sgs.com.tw/Terms-and-Conditions>. Attention is drawn to the limitation of liability, indemnification and jurisdiction issues defined therein. Any holder of this document is advised that information contained hereon reflects the Company's findings at the time of its intervention only and within the limits of Client's instructions, if any. The Company's sole responsibility is to its Client and this document does not exonerate parties to a transaction from exercising all their rights and obligations under the transaction documents. This document cannot be reproduced except in full, without prior written approval of the Company. Any unauthorized alteration, forgery or falsification of the content or appearance of this document is unlawful and offenders may be prosecuted to the fullest extent of the law.

LTE Band 13_Ant 5+ NR n66_Ant 8 + 2.4GHz WLAN Ant 2+Bluetooth Ant 1



LTE Band 13_Ant 5+ NR n77_FCC_Ant 8 + 2.4GHz WLAN Ant 2+Bluetooth Ant 1

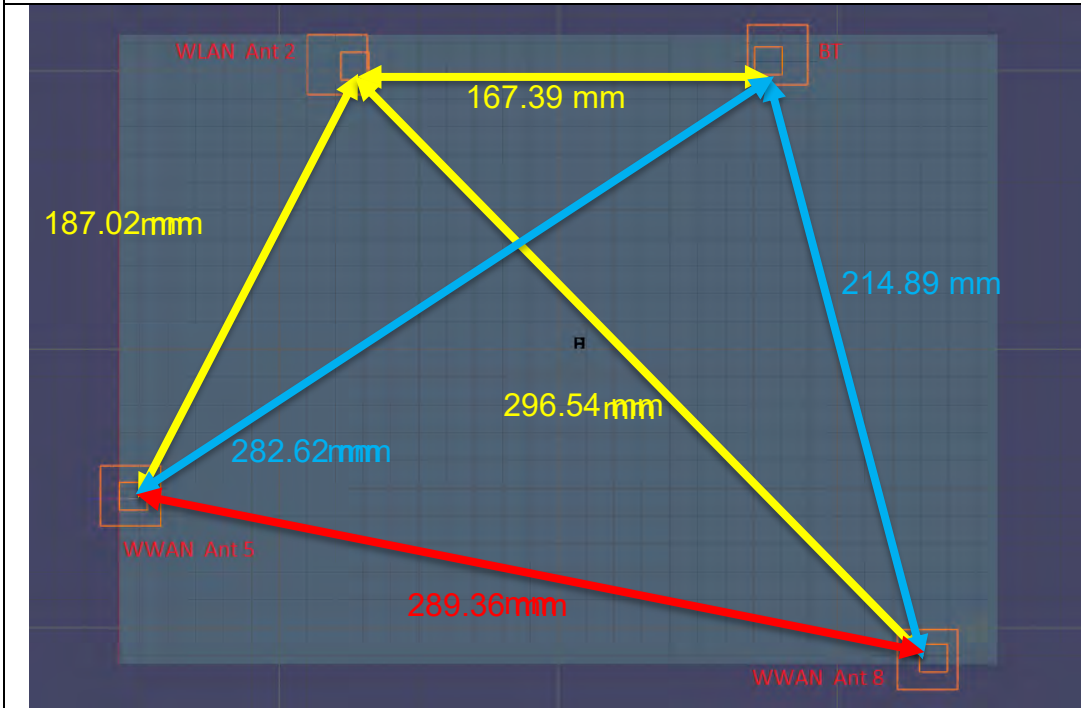


Unless otherwise stated the results shown in this test report refer only to the sample(s) tested and such sample(s) are retained for 90 days only.

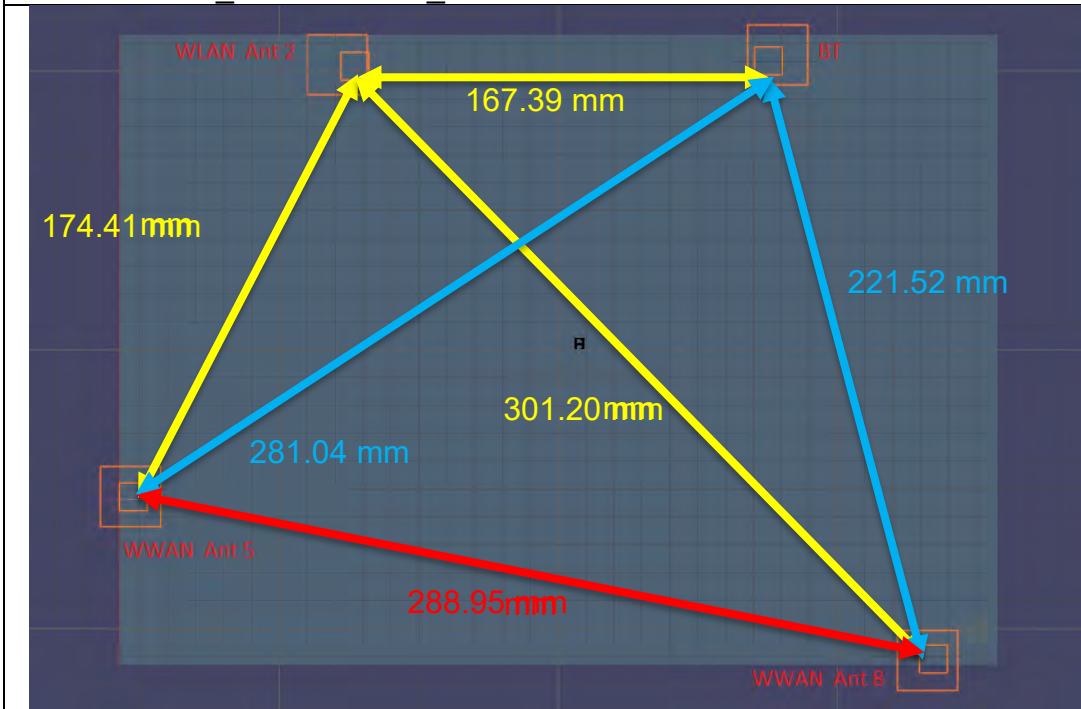
除非另有說明，此報告結果僅對測試之樣品負責，同時此樣品僅保留90天。本報告未經本公司書面許可，不可部份複製。

This document is issued by the Company subject to its General Conditions of Service printed overleaf, available on request or accessible at <http://www.sgs.com.tw/Terms-and-Conditions> and for electronic format documents, subject to Terms and Conditions for Electronic Documents at <http://www.sgs.com.tw/Terms-and-Conditions>. Attention is drawn to the limitation of liability, indemnification and jurisdiction issues defined therein. Any holder of this document is advised that information contained hereon reflects the Company's findings at the time of its intervention only and within the limits of Client's instructions, if any. The Company's sole responsibility is to its Client and this document does not exonerate parties to a transaction from exercising all their rights and obligations under the transaction documents. This document cannot be reproduced except in full, without prior written approval of the Company. Any unauthorized alteration, forgery or falsification of the content or appearance of this document is unlawful and offenders may be prosecuted to the fullest extent of the law.

LTE Band 13_Ant 5+ NR n77 & n78_FCC_Ant 8 + 2.4GHz WLAN Ant 2+Bluetooth Ant 1



LTE Band 14_Ant 5+ NR n2_Ant 8 + 2.4GHz WLAN Ant 2+Bluetooth Ant 1

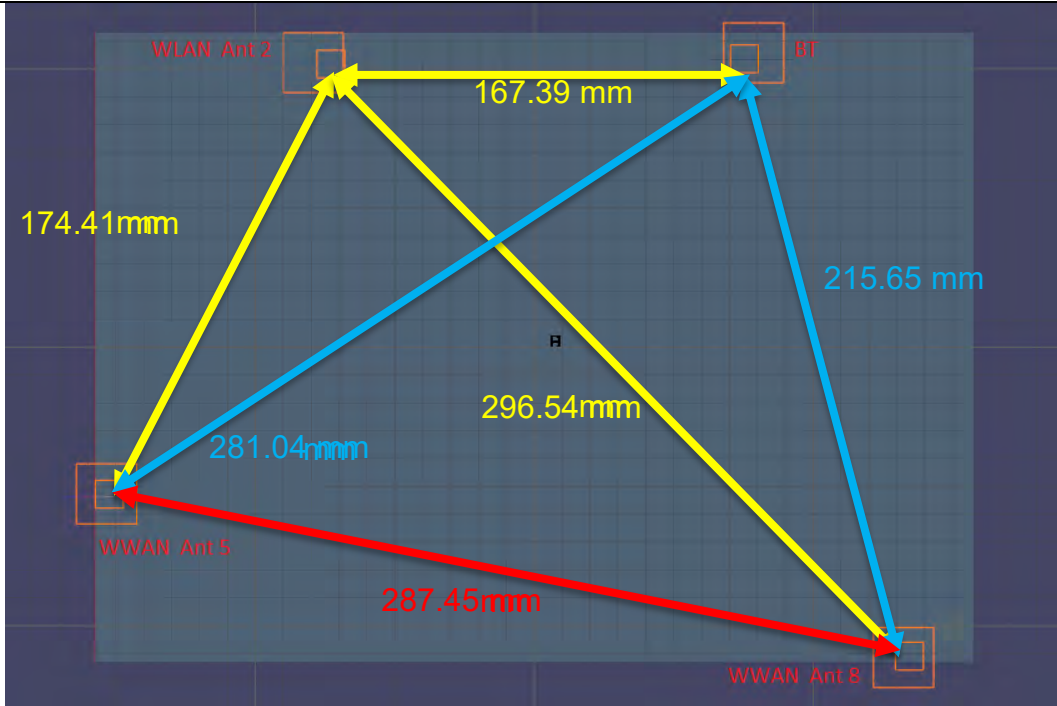


Unless otherwise stated the results shown in this test report refer only to the sample(s) tested and such sample(s) are retained for 90 days only.

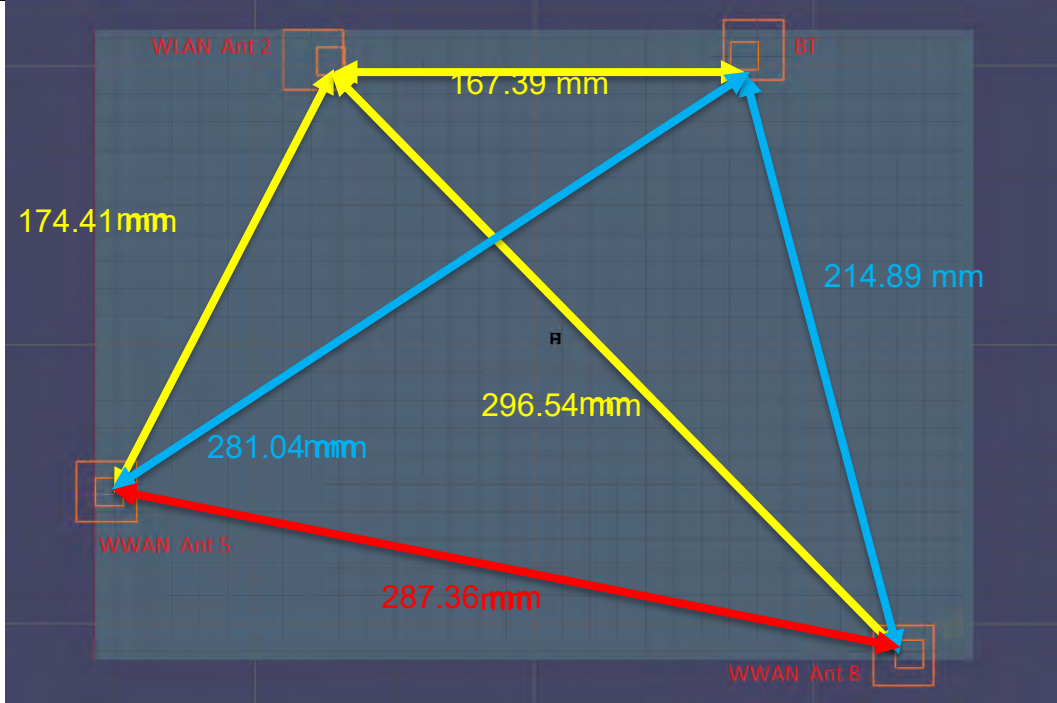
除非另有說明，此報告結果僅對測試之樣品負責，同時此樣品僅保留90天。本報告未經本公司書面許可，不可部份複製。

This document is issued by the Company subject to its General Conditions of Service printed overleaf, available on request or accessible at <http://www.sgs.com.tw/Terms-and-Conditions> and for electronic format documents, subject to Terms and Conditions for Electronic Documents at <http://www.sgs.com.tw/Terms-and-Conditions>. Attention is drawn to the limitation of liability, indemnification and jurisdiction issues defined therein. Any holder of this document is advised that information contained hereon reflects the Company's findings at the time of its intervention only and within the limits of Client's instructions, if any. The Company's sole responsibility is to its Client and this document does not exonerate parties to a transaction from exercising all their rights and obligations under the transaction documents. This document cannot be reproduced except in full, without prior written approval of the Company. Any unauthorized alteration, forgery or falsification of the content or appearance of this document is unlawful and offenders may be prosecuted to the fullest extent of the law.

LTE Band 14_Ant 5+ NR n77_FCC_Ant 8 + 2.4GHz WLAN Ant 2+Bluetooth Ant 1



LTE Band 14_Ant 5+ NR n77 & n78_FCC_Ant 8 + 2.4GHz WLAN Ant 2+Bluetooth Ant 1

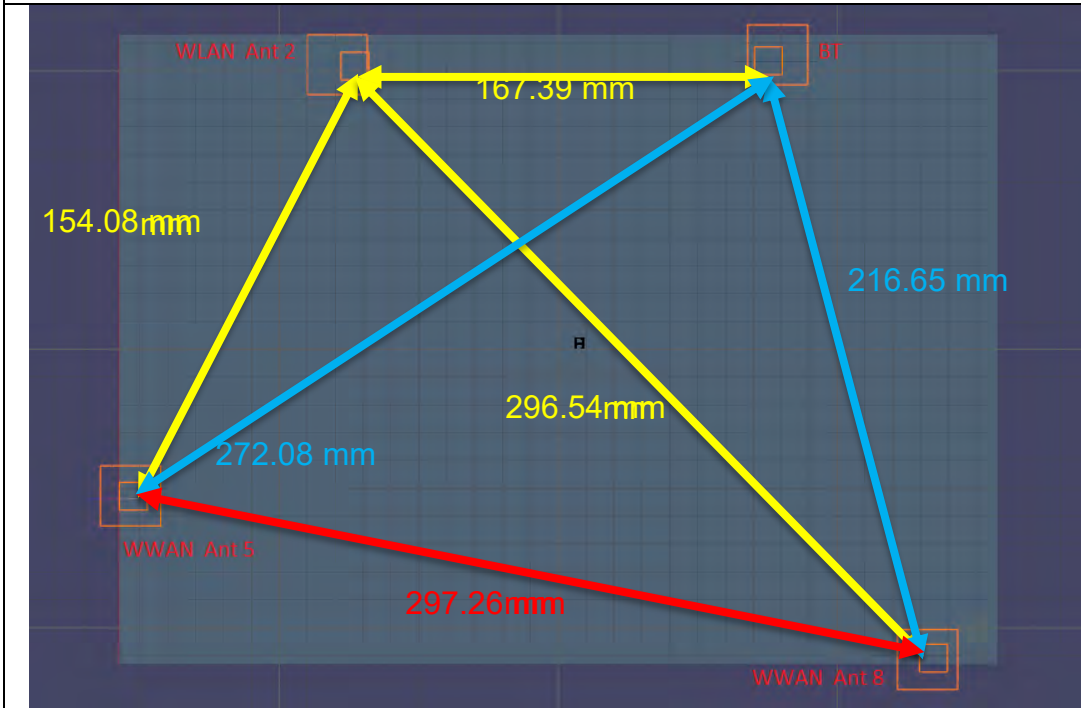


Unless otherwise stated the results shown in this test report refer only to the sample(s) tested and such sample(s) are retained for 90 days only.

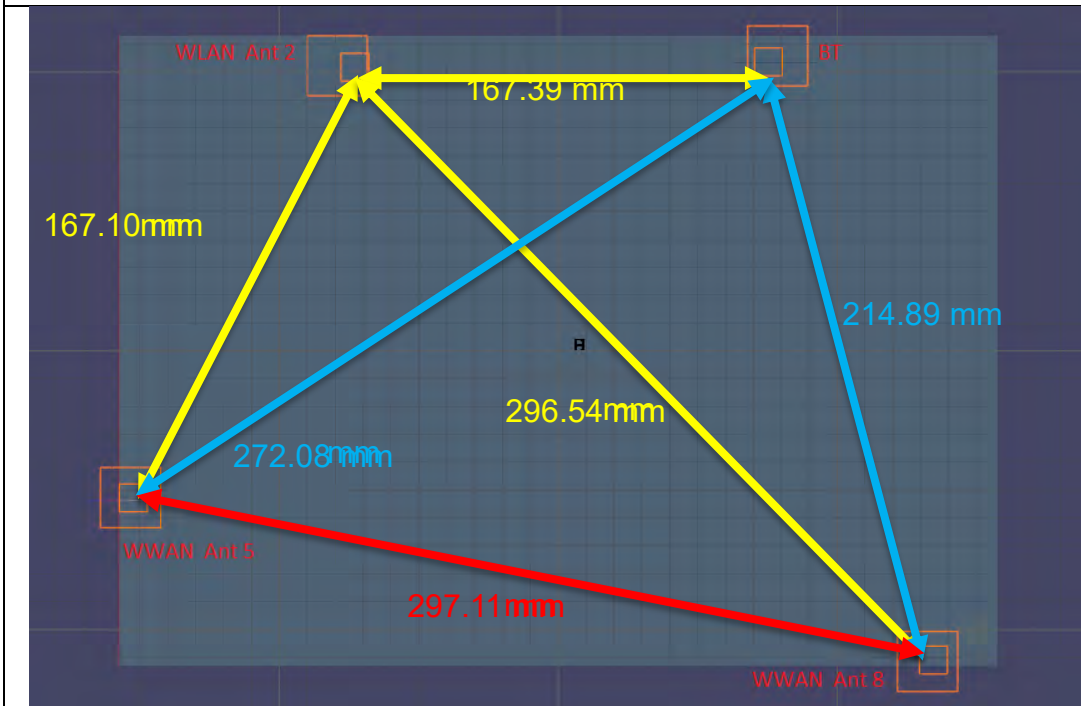
除非另有說明，此報告結果僅對測試之樣品負責，同時此樣品僅保留90天。本報告未經本公司書面許可，不可部份複製。

This document is issued by the Company subject to its General Conditions of Service printed overleaf, available on request or accessible at <http://www.sgs.com.tw/Terms-and-Conditions> and for electronic format documents, subject to Terms and Conditions for Electronic Documents at <http://www.sgs.com.tw/Terms-and-Conditions>. Attention is drawn to the limitation of liability, indemnification and jurisdiction issues defined therein. Any holder of this document is advised that information contained hereon reflects the Company's findings at the time of its intervention only and within the limits of Client's instructions, if any. The Company's sole responsibility is to its Client and this document does not exonerate parties to a transaction from exercising all their rights and obligations under the transaction documents. This document cannot be reproduced except in full, without prior written approval of the Company. Any unauthorized alteration, forgery or falsification of the content or appearance of this document is unlawful and offenders may be prosecuted to the fullest extent of the law.

LTE Band 30_Ant 5+ NR n77_FCC_Ant 8 + 2.4GHz WLAN Ant 2+Bluetooth Ant 1



LTE Band 30_Ant 5+ NR n77 & n78_FCC_Ant 8 + 2.4GHz WLAN Ant 2+Bluetooth Ant 1

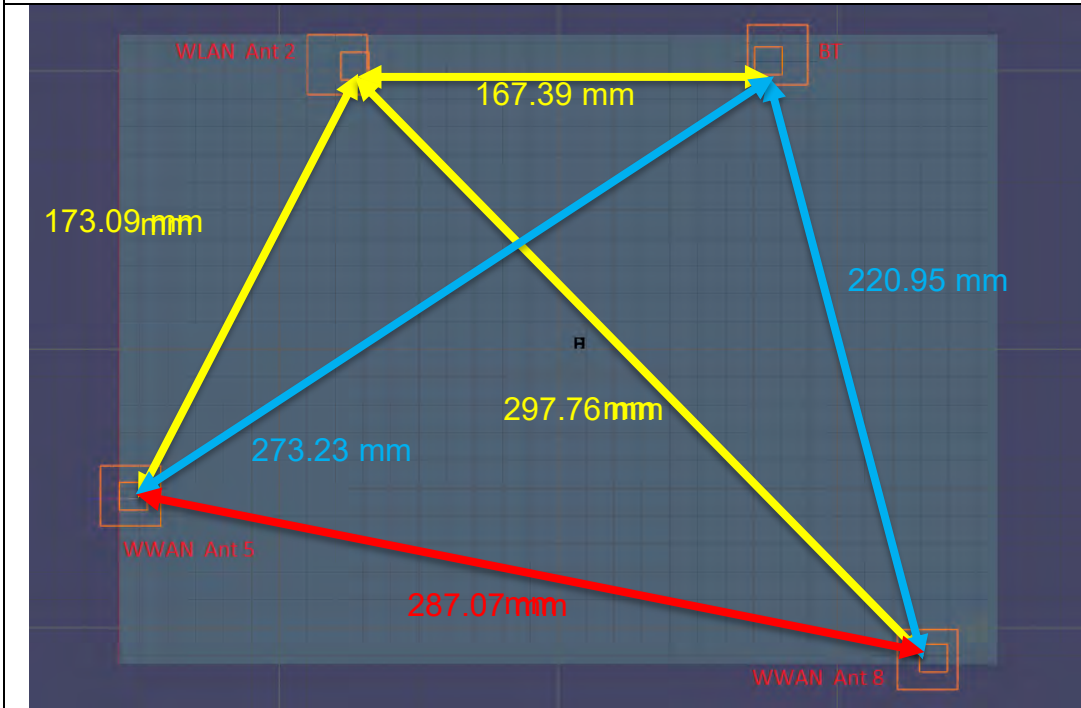


Unless otherwise stated the results shown in this test report refer only to the sample(s) tested and such sample(s) are retained for 90 days only.

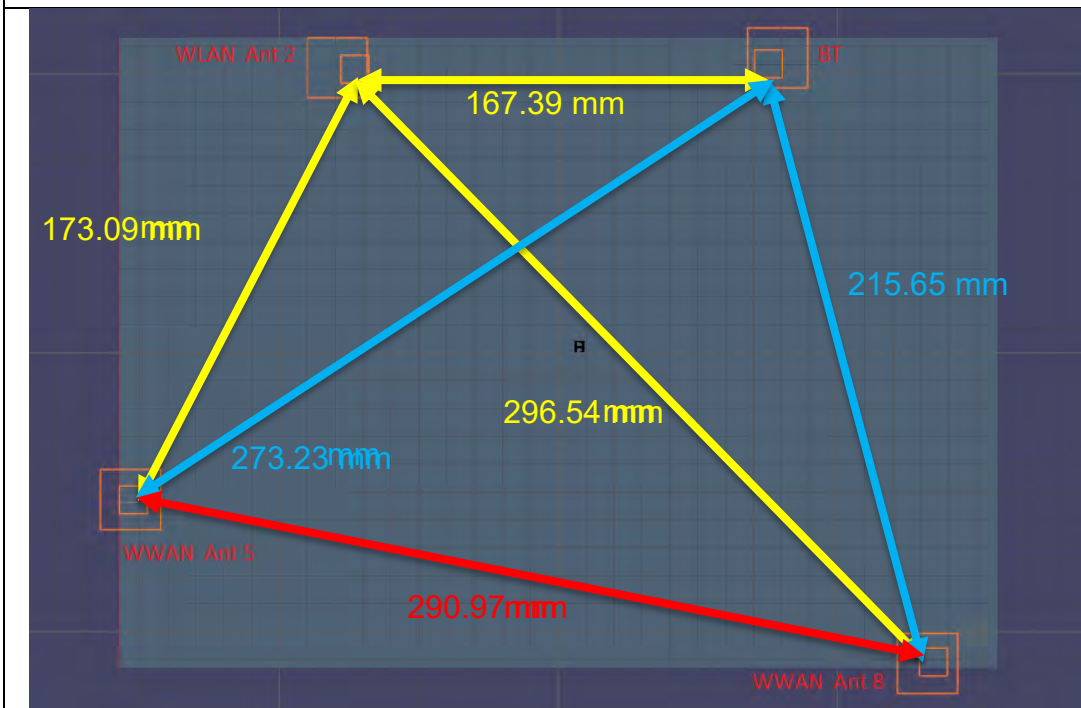
除非另有說明，此報告結果僅對測試之樣品負責，同時此樣品僅保留90天。本報告未經本公司書面許可，不可部份複製。

This document is issued by the Company subject to its General Conditions of Service printed overleaf, available on request or accessible at <http://www.sgs.com.tw/Terms-and-Conditions> and for electronic format documents, subject to Terms and Conditions for Electronic Documents at <http://www.sgs.com.tw/Terms-and-Conditions>. Attention is drawn to the limitation of liability, indemnification and jurisdiction issues defined therein. Any holder of this document is advised that information contained herein reflects the Company's findings at the time of its intervention only and within the limits of Client's instructions, if any. The Company's sole responsibility is to its Client and this document does not exonerate parties to a transaction from exercising all their rights and obligations under the transaction documents. This document cannot be reproduced except in full, without prior written approval of the Company. Any unauthorized alteration, forgery or falsification of the content or appearance of this document is unlawful and offenders may be prosecuted to the fullest extent of the law.

LTE Band 66_Ant 5+ NR n41_FCC_Ant 8 + 2.4GHz WLAN Ant 2+Bluetooth Ant 1



LTE Band 66_Ant 5+ NR n77_FCC_Ant 8 + 2.4GHz WLAN Ant 2+Bluetooth Ant 1

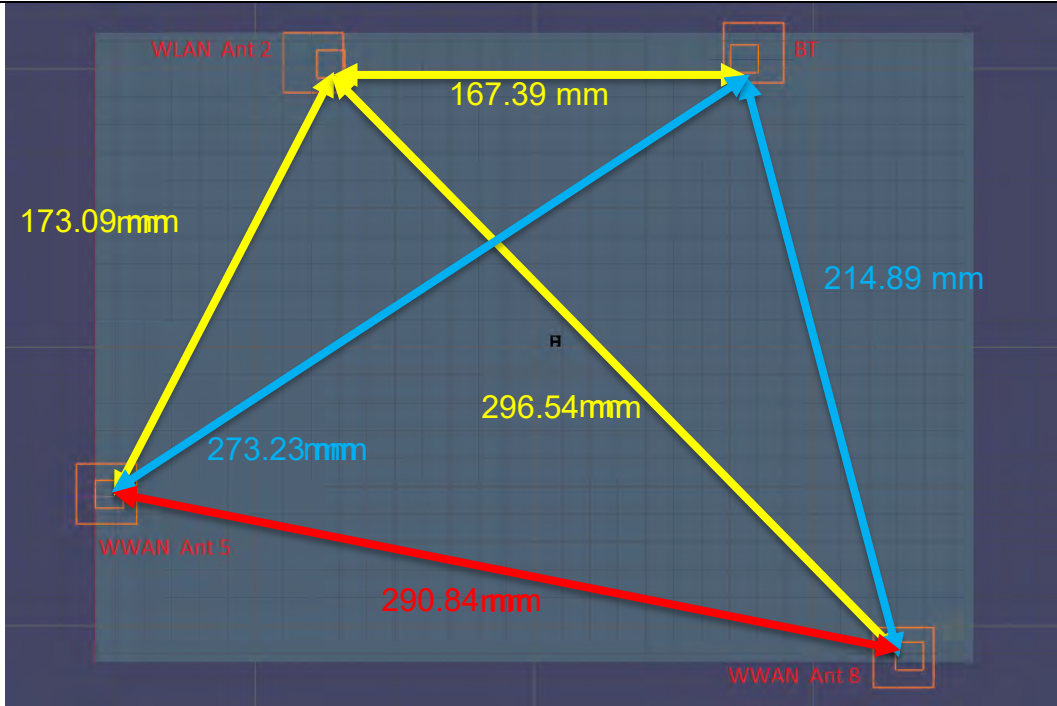


Unless otherwise stated the results shown in this test report refer only to the sample(s) tested and such sample(s) are retained for 90 days only.

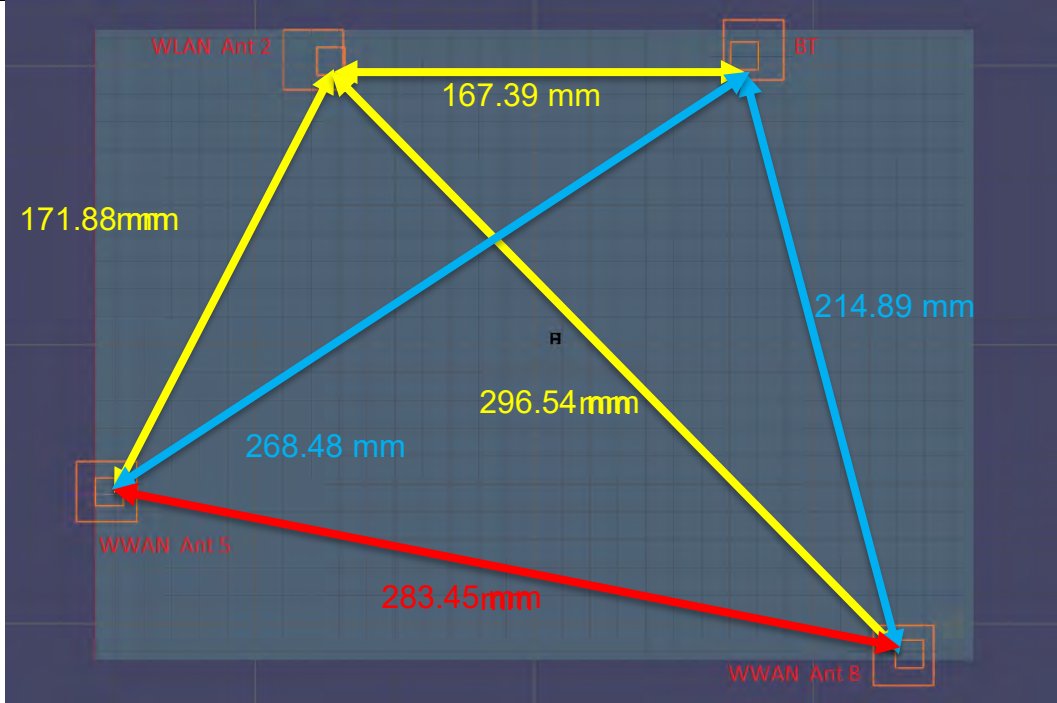
除非另有說明，此報告結果僅對測試之樣品負責，同時此樣品僅保留90天。本報告未經本公司書面許可，不可部份複製。

This document is issued by the Company subject to its General Conditions of Service printed overleaf, available on request or accessible at <http://www.sgs.com.tw/Terms-and-Conditions> and for electronic format documents, subject to Terms and Conditions for Electronic Documents at <http://www.sgs.com.tw/Terms-and-Conditions>. Attention is drawn to the limitation of liability, indemnification and jurisdiction issues defined therein. Any holder of this document is advised that information contained herein reflects the Company's findings at the time of its intervention only and within the limits of Client's instructions, if any. The Company's sole responsibility is to its Client and this document does not exonerate parties to a transaction from exercising all their rights and obligations under the transaction documents. This document cannot be reproduced except in full, without prior written approval of the Company. Any unauthorized alteration, forgery or falsification of the content or appearance of this document is unlawful and offenders may be prosecuted to the fullest extent of the law.

LTE Band 66_Ant 5+ NR n77 & n78_FCC_Ant 8 + 2.4GHz WLAN Ant 2+Bluetooth Ant 1



LTE Band 38_Ant 5+ NR n77 & n78_FCC_Ant 8 + 2.4GHz WLAN Ant 2+Bluetooth Ant 1

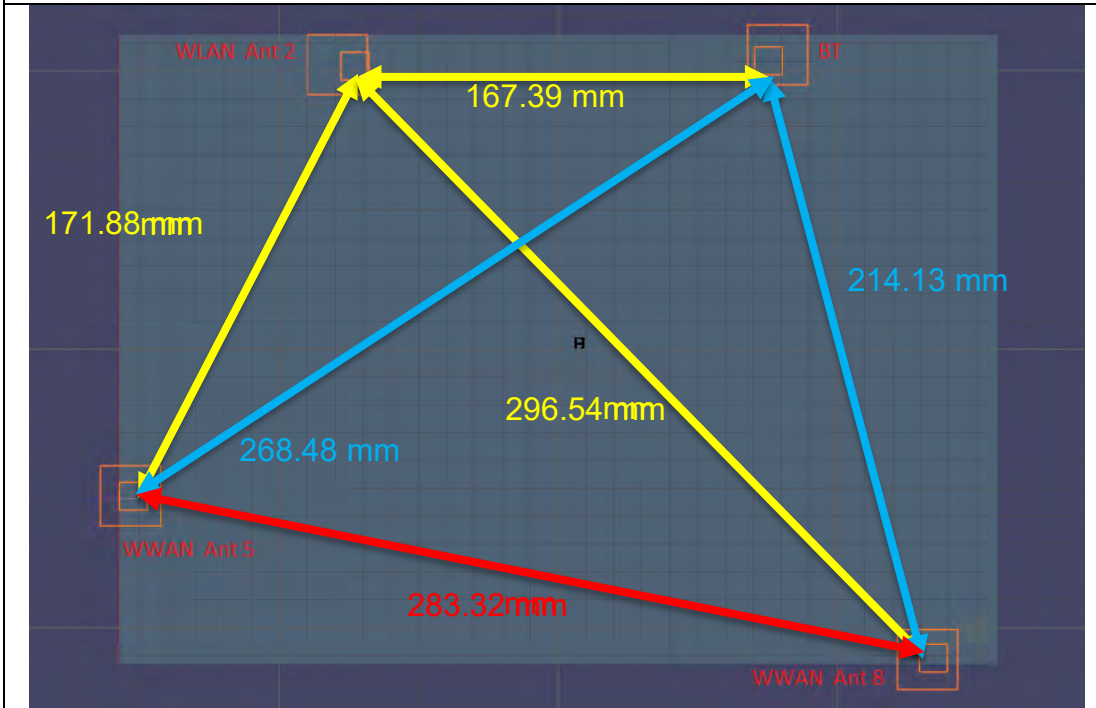


Unless otherwise stated the results shown in this test report refer only to the sample(s) tested and such sample(s) are retained for 90 days only.

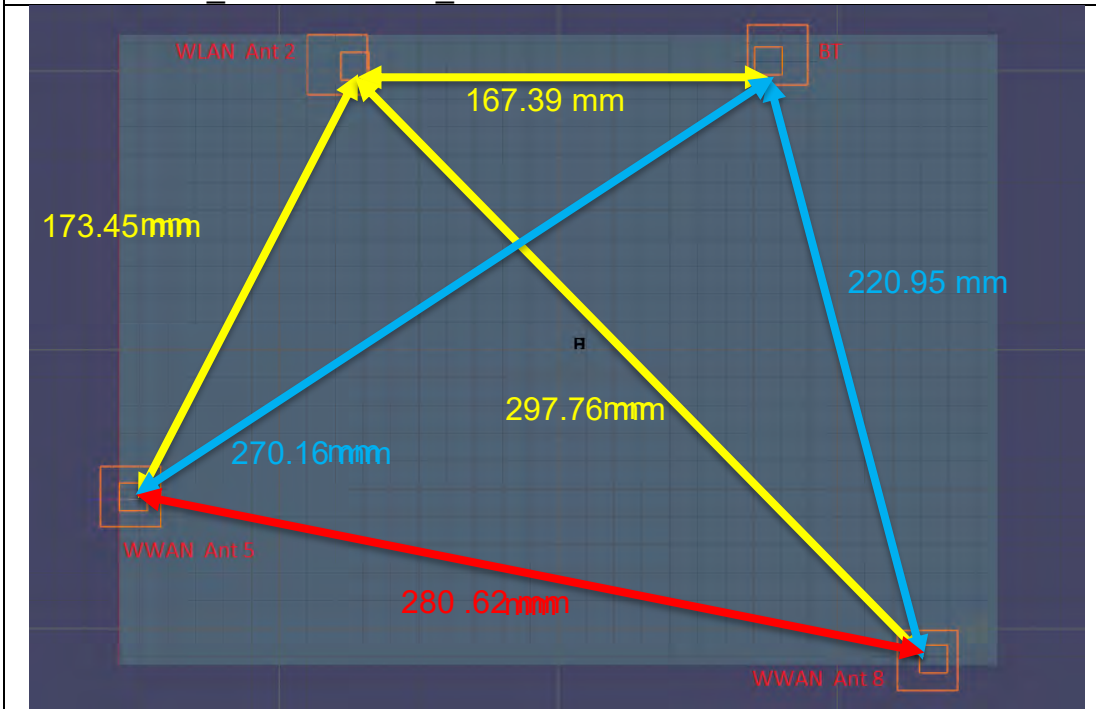
除非另有說明，此報告結果僅對測試之樣品負責，同時此樣品僅保留90天。本報告未經本公司書面許可，不可部份複製。

This document is issued by the Company subject to its General Conditions of Service printed overleaf, available on request or accessible at <http://www.sgs.com.tw/Terms-and-Conditions> and for electronic format documents, subject to Terms and Conditions for Electronic Documents at <http://www.sgs.com.tw/Terms-and-Conditions>. Attention is drawn to the limitation of liability, indemnification and jurisdiction issues defined therein. Any holder of this document is advised that information contained hereon reflects the Company's findings at the time of its intervention only and within the limits of Client's instructions, if any. The Company's sole responsibility is to its Client and this document does not exonerate parties to a transaction from exercising all their rights and obligations under the transaction documents. This document cannot be reproduced except in full, without prior written approval of the Company. Any unauthorized alteration, forgery or falsification of the content or appearance of this document is unlawful and offenders may be prosecuted to the fullest extent of the law.

LTE Band 38_Ant 5+ NR n78_FCC_Ant 8 + 2.4GHz WLAN Ant 2+Bluetooth Ant 1



LTE Band 41_Ant 5+ NR n41_Ant 8 + 2.4GHz WLAN Ant 2+Bluetooth Ant 1

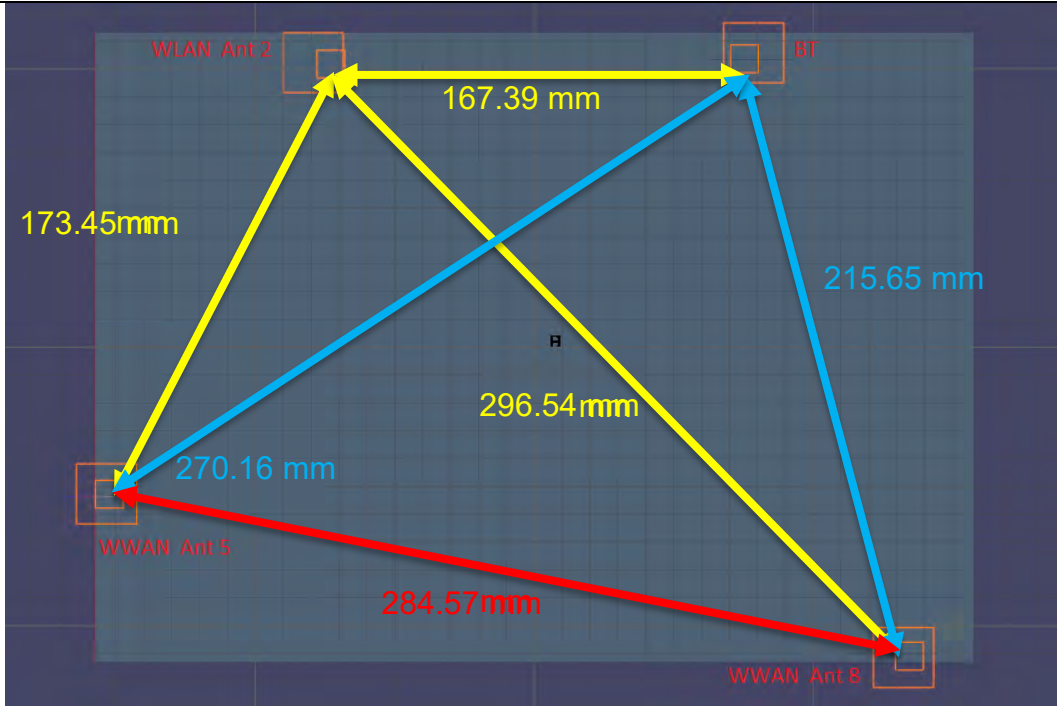


Unless otherwise stated the results shown in this test report refer only to the sample(s) tested and such sample(s) are retained for 90 days only.

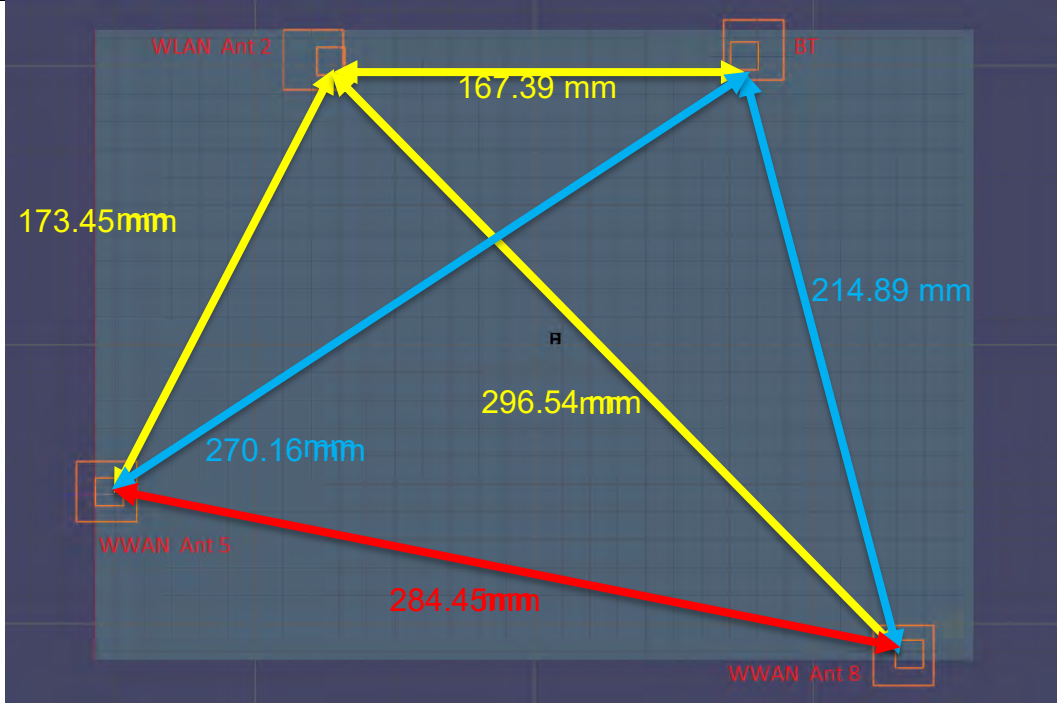
除非另有說明，此報告結果僅對測試之樣品負責，同時此樣品僅保留90天。本報告未經本公司書面許可，不可部份複製。

This document is issued by the Company subject to its General Conditions of Service printed overleaf, available on request or accessible at <http://www.sgs.com.tw/Terms-and-Conditions> and for electronic format documents, subject to Terms and Conditions for Electronic Documents at <http://www.sgs.com.tw/Terms-and-Conditions>. Attention is drawn to the limitation of liability, indemnification and jurisdiction issues defined therein. Any holder of this document is advised that information contained hereon reflects the Company's findings at the time of its intervention only and within the limits of Client's instructions, if any. The Company's sole responsibility is to its Client and this document does not exonerate parties to a transaction from exercising all their rights and obligations under the transaction documents. This document cannot be reproduced except in full, without prior written approval of the Company. Any unauthorized alteration, forgery or falsification of the content or appearance of this document is unlawful and offenders may be prosecuted to the fullest extent of the law.

LTE Band 41_Ant 5+ NR n77_FCC_Ant 8 + 2.4GHz WLAN Ant 2+Bluetooth Ant 1



LTE Band 41_Ant 5+ NR n77 & n78_FCC_Ant 8 + 2.4GHz WLAN Ant 2+Bluetooth Ant 1

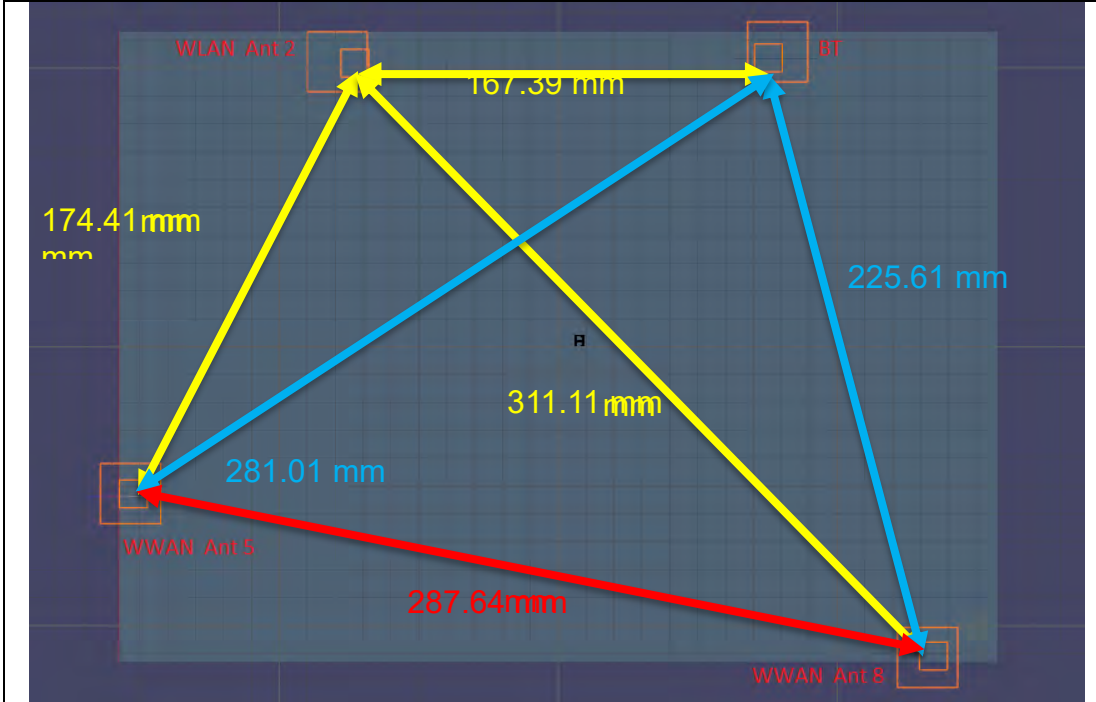


Unless otherwise stated the results shown in this test report refer only to the sample(s) tested and such sample(s) are retained for 90 days only.

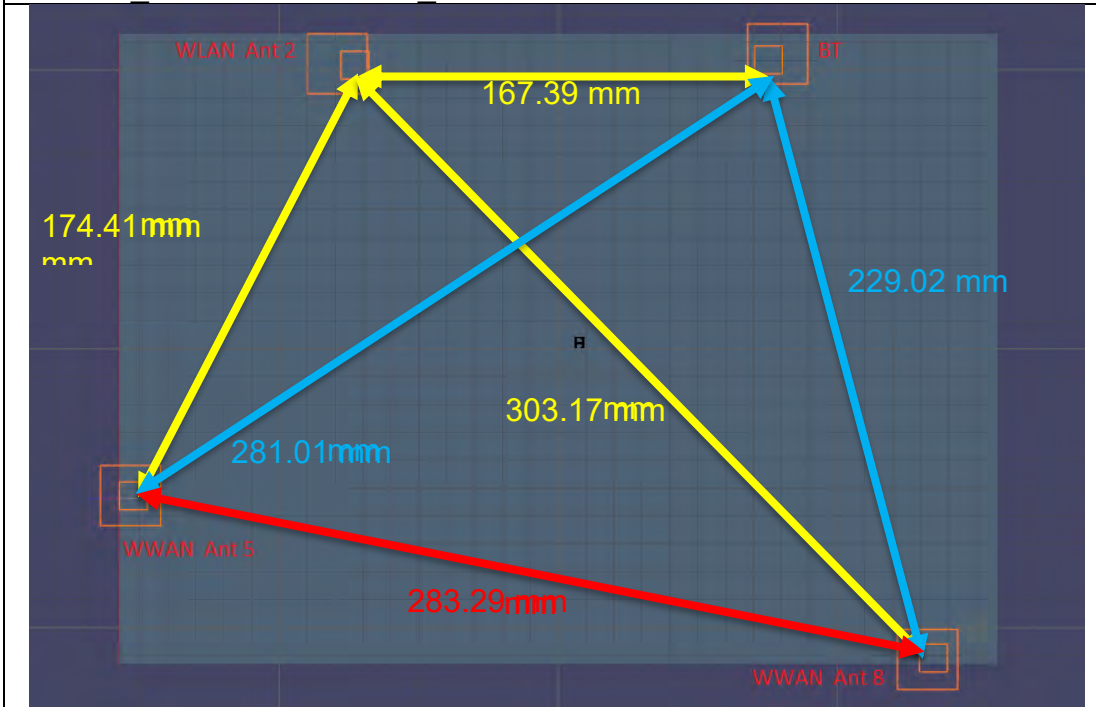
除非另有說明，此報告結果僅對測試之樣品負責，同時此樣品僅保留90天。本報告未經本公司書面許可，不可部份複製。

This document is issued by the Company subject to its General Conditions of Service printed overleaf, available on request or accessible at <http://www.sgs.com.tw/Terms-and-Conditions> and for electronic format documents, subject to Terms and Conditions for Electronic Documents at <http://www.sgs.com.tw/Terms-and-Conditions>. Attention is drawn to the limitation of liability, indemnification and jurisdiction issues defined therein. Any holder of this document is advised that information contained hereon reflects the Company's findings at the time of its intervention only and within the limits of Client's instructions, if any. The Company's sole responsibility is to its Client and this document does not exonerate parties to a transaction from exercising all their rights and obligations under the transaction documents. This document cannot be reproduced except in full, without prior written approval of the Company. Any unauthorized alteration, forgery or falsification of the content or appearance of this document is unlawful and offenders may be prosecuted to the fullest extent of the law.

NR n5 Ant 5+ LTE Band 2 Ant 8 + 2.4GHz WLAN Ant 2+Bluetooth Ant 1



NR n5 Ant 5+ LTE Band 7 Ant 8 + 2.4GHz WLAN Ant 2+Bluetooth Ant 1

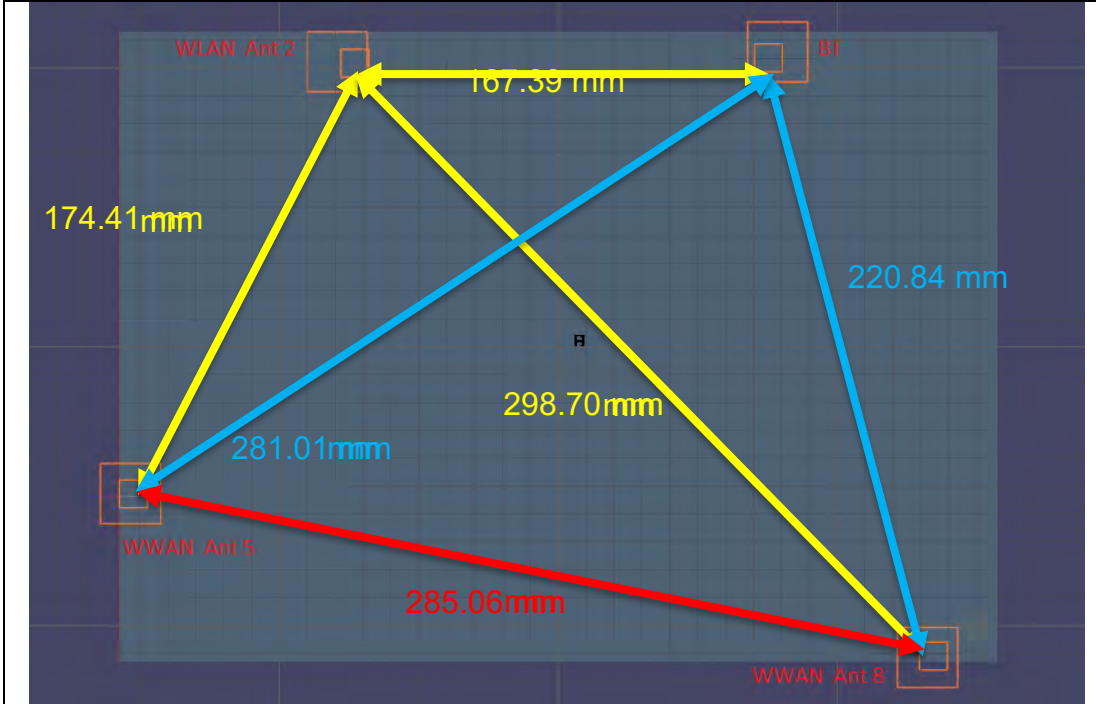


Unless otherwise stated the results shown in this test report refer only to the sample(s) tested and such sample(s) are retained for 90 days only.

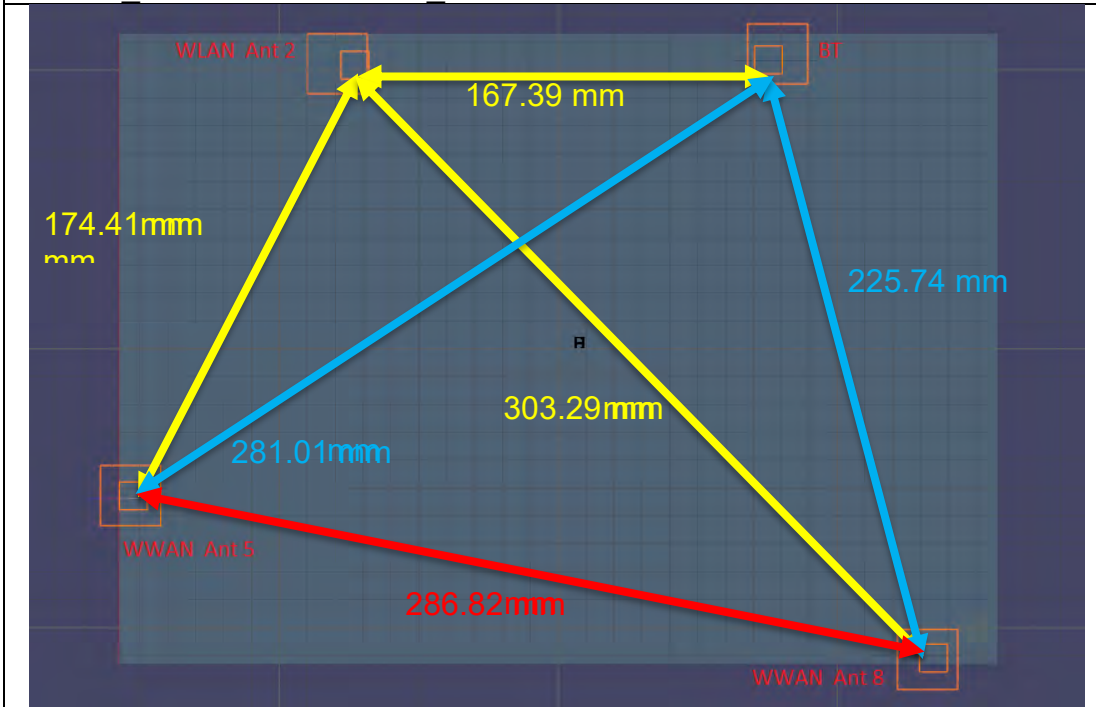
除非另有說明，此報告結果僅對測試之樣品負責，同時此樣品僅保留90天。本報告未經本公司書面許可，不可部份複製。

This document is issued by the Company subject to its General Conditions of Service printed overleaf, available on request or accessible at <http://www.sgs.com.tw/Terms-and-Conditions> and for electronic format documents, subject to Terms and Conditions for Electronic Documents at <http://www.sgs.com.tw/Terms-and-Conditions>. Attention is drawn to the limitation of liability, indemnification and jurisdiction issues defined therein. Any holder of this document is advised that information contained hereon reflects the Company's findings at the time of its intervention only and within the limits of Client's instructions, if any. The Company's sole responsibility is to its Client and this document does not exonerate parties to a transaction from exercising all their rights and obligations under the transaction documents. This document cannot be reproduced except in full, without prior written approval of the Company. Any unauthorized alteration, forgery or falsification of the content or appearance of this document is unlawful and offenders may be prosecuted to the fullest extent of the law.

NR n5 Ant 5+ LTE Band 30 Ant 8 + 2.4GHz WLAN Ant 2+Bluetooth Ant 1



NR n5 Ant 5+ LTE Band 66 Ant 8 + 2.4GHz WLAN Ant 2+Bluetooth Ant 1

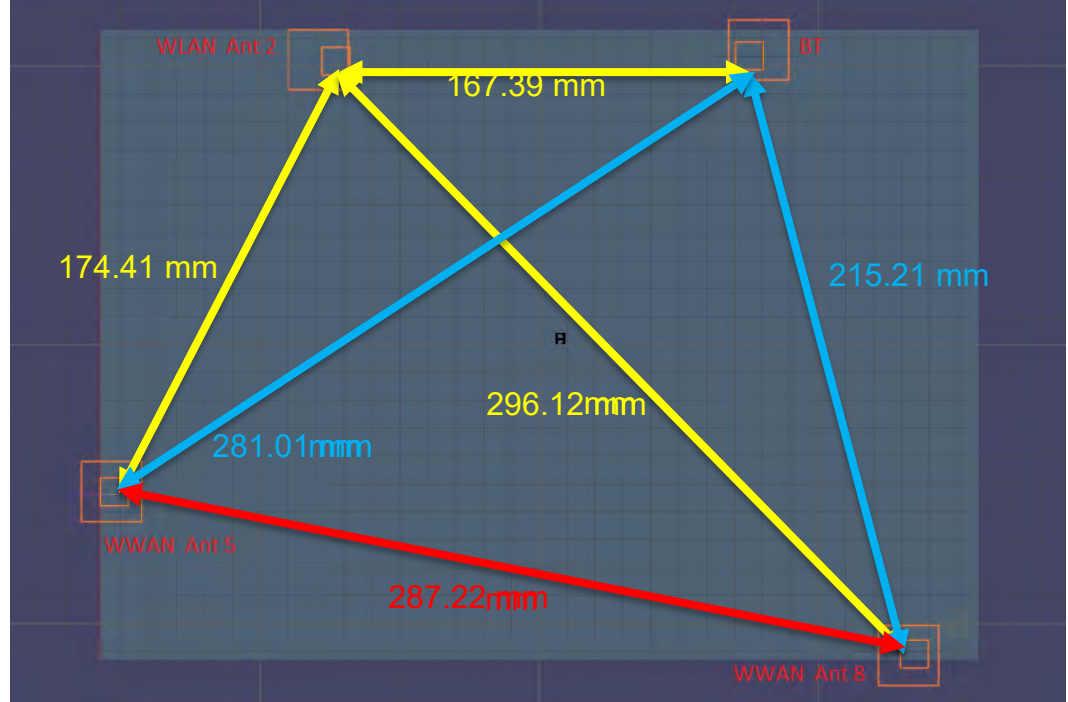


Unless otherwise stated the results shown in this test report refer only to the sample(s) tested and such sample(s) are retained for 90 days only.

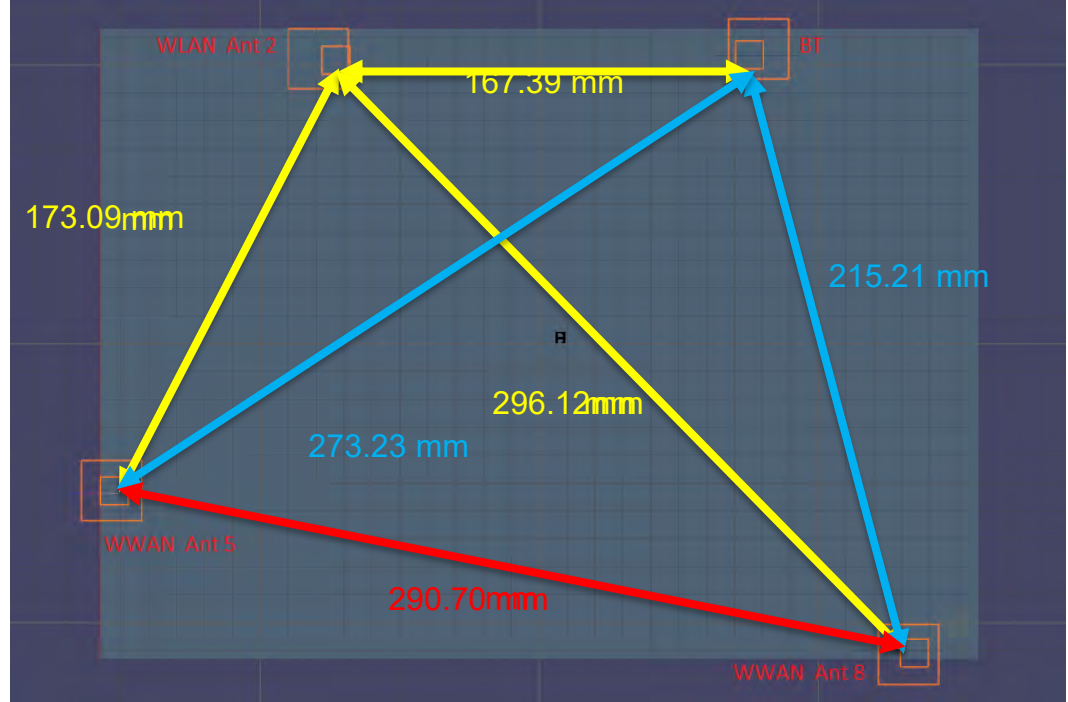
除非另有說明，此報告結果僅對測試之樣品負責，同時此樣品僅保留90天。本報告未經本公司書面許可，不可部份複製。

This document is issued by the Company subject to its General Conditions of Service printed overleaf, available on request or accessible at <http://www.sgs.com.tw/Terms-and-Conditions> and for electronic format documents, subject to Terms and Conditions for Electronic Documents at <http://www.sgs.com.tw/Terms-and-Conditions>. Attention is drawn to the limitation of liability, indemnification and jurisdiction issues defined therein. Any holder of this document is advised that information contained hereon reflects the Company's findings at the time of its intervention only and within the limits of Client's instructions, if any. The Company's sole responsibility is to its Client and this document does not exonerate parties to a transaction from exercising all their rights and obligations under the transaction documents. This document cannot be reproduced except in full, without prior written approval of the Company. Any unauthorized alteration, forgery or falsification of the content or appearance of this document is unlawful and offenders may be prosecuted to the fullest extent of the law.

NR n5 Ant 5+ LTE Band 48 Ant 8 + 2. 4GHz WLAN Ant 2+Bluetooth Ant 1



NR n66 Ant 5+ LTE Band 48 Ant 8 + 2.4GHz WLAN Ant 2+Bluetooth Ant 1

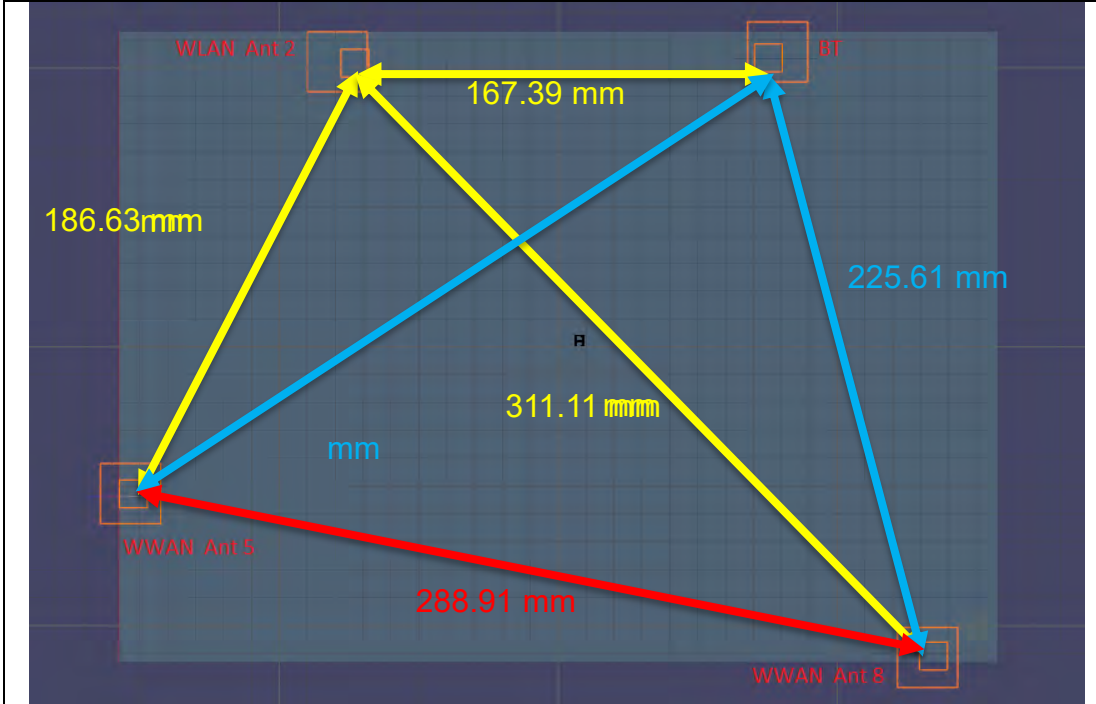


Unless otherwise stated the results shown in this test report refer only to the sample(s) tested and such sample(s) are retained for 90 days only.

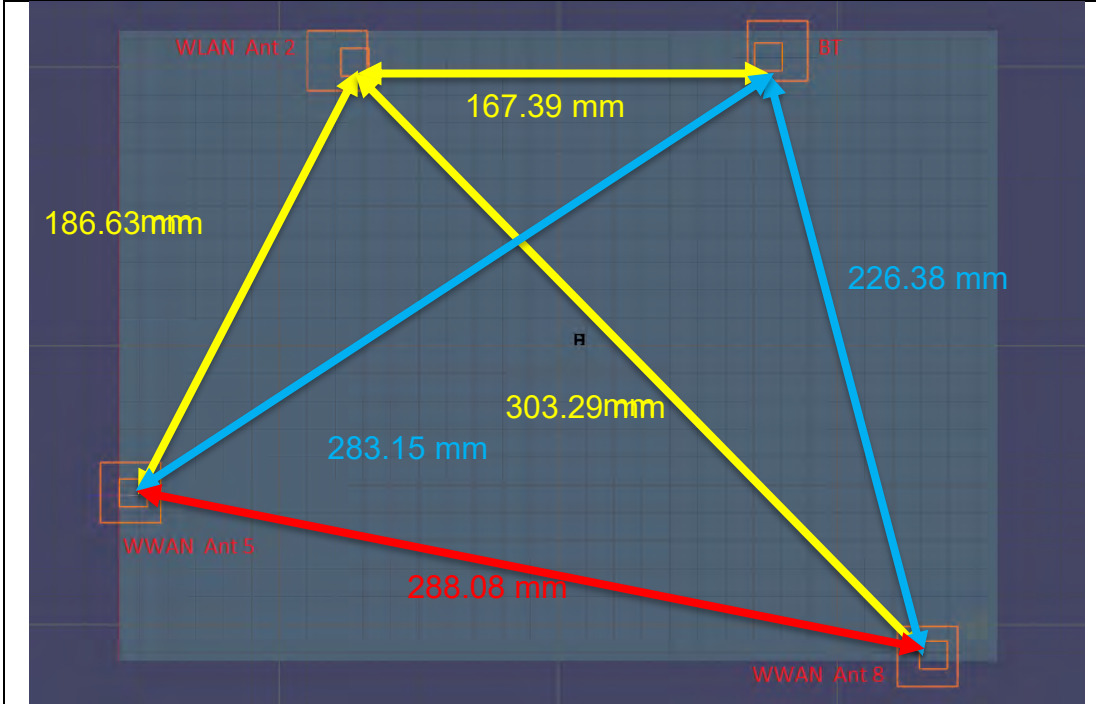
除非另有說明，此報告結果僅對測試之樣品負責，同時此樣品僅保留90天。本報告未經本公司書面許可，不可部份複製。

This document is issued by the Company subject to its General Conditions of Service printed overleaf, available on request or accessible at <http://www.sgs.com.tw/Terms-and-Conditions> and for electronic format documents, subject to Terms and Conditions for Electronic Documents at <http://www.sgs.com.tw/Terms-and-Conditions>. Attention is drawn to the limitation of liability, indemnification and jurisdiction issues defined therein. Any holder of this document is advised that information contained hereon reflects the Company's findings at the time of its intervention only and within the limits of Client's instructions, if any. The Company's sole responsibility is to its Client and this document does not exonerate parties to a transaction from exercising all their rights and obligations under the transaction documents. This document cannot be reproduced except in full, without prior written approval of the Company. Any unauthorized alteration, forgery or falsification of the content or appearance of this document is unlawful and offenders may be prosecuted to the fullest extent of the law.

NR n71 Ant 5+ LTE Band 2 Ant 8 + 2.4GHz WLAN Ant 2+Bluetooth Ant 1



NR n71 Ant 5+ LTE Band 66 Ant 8 + 2.4GHz WLAN Ant 2+Bluetooth Ant 1

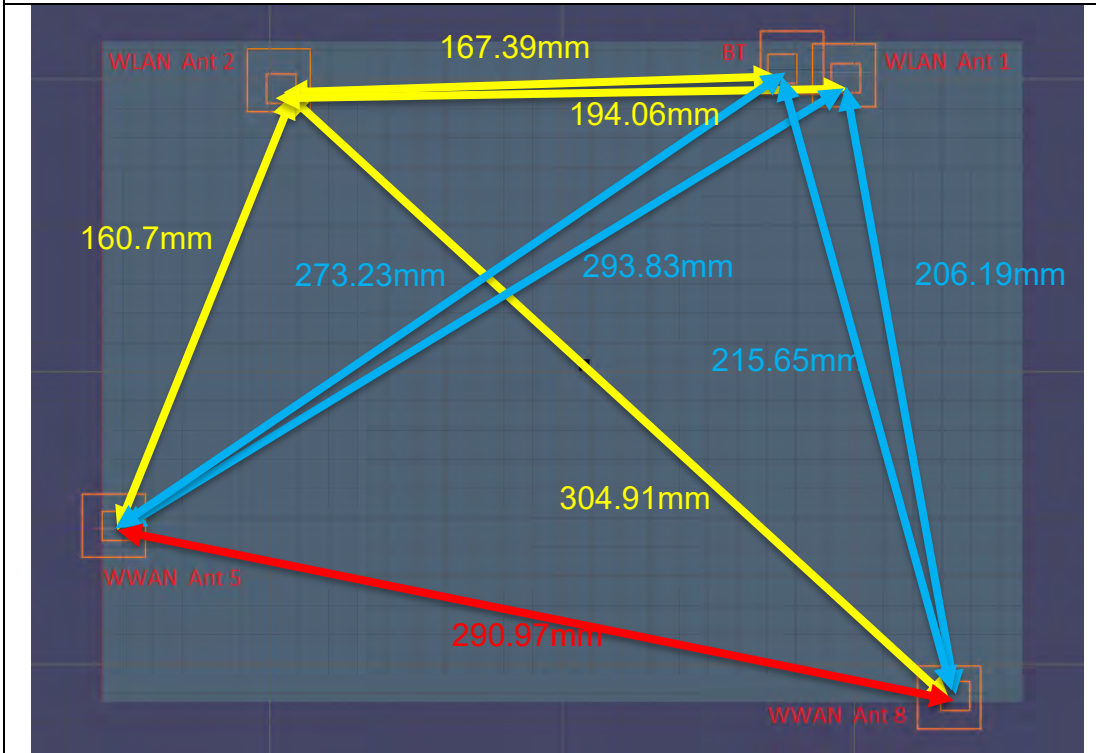


Unless otherwise stated the results shown in this test report refer only to the sample(s) tested and such sample(s) are retained for 90 days only.

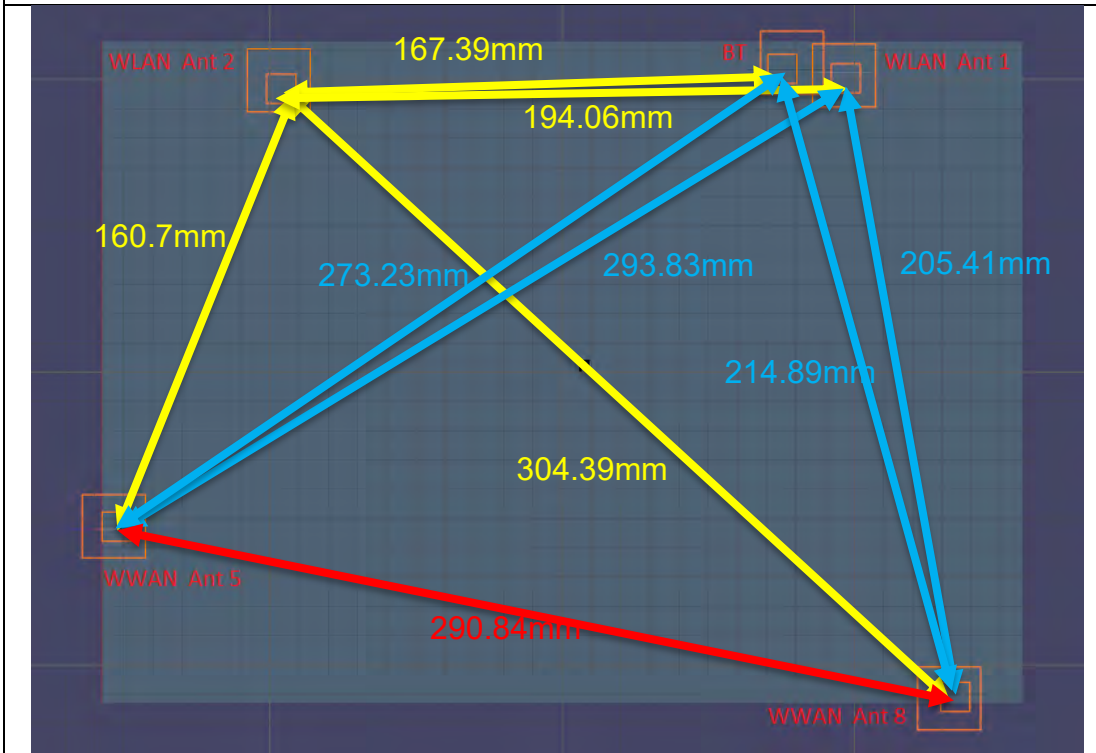
除非另有說明，此報告結果僅對測試之樣品負責，同時此樣品僅保留90天。本報告未經本公司書面許可，不可部份複製。

This document is issued by the Company subject to its General Conditions of Service printed overleaf, available on request or accessible at <http://www.sgs.com.tw/Terms-and-Conditions> and for electronic format documents, subject to Terms and Conditions for Electronic Documents at <http://www.sgs.com.tw/Terms-and-Conditions>. Attention is drawn to the limitation of liability, indemnification and jurisdiction issues defined therein. Any holder of this document is advised that information contained hereon reflects the Company's findings at the time of its intervention only and within the limits of Client's instructions, if any. The Company's sole responsibility is to its Client and this document does not exonerate parties to a transaction from exercising all their rights and obligations under the transaction documents. This document cannot be reproduced except in full, without prior written approval of the Company. Any unauthorized alteration, forgery or falsification of the content or appearance of this document is unlawful and offenders may be prosecuted to the fullest extent of the law.

LTE Band 2_Ant 5+ NR n77_FCC_Ant 8 + 5GHz WLAN Ant 2+5GHz WLAN Ant 1+ Bluetooth Ant 1



LTE Band 2_Ant 5+ NR n77 & n78_FCC_Ant 8 + 5GHz WLAN Ant 2+5GHz WLAN Ant 1+ Bluetooth Ant 1

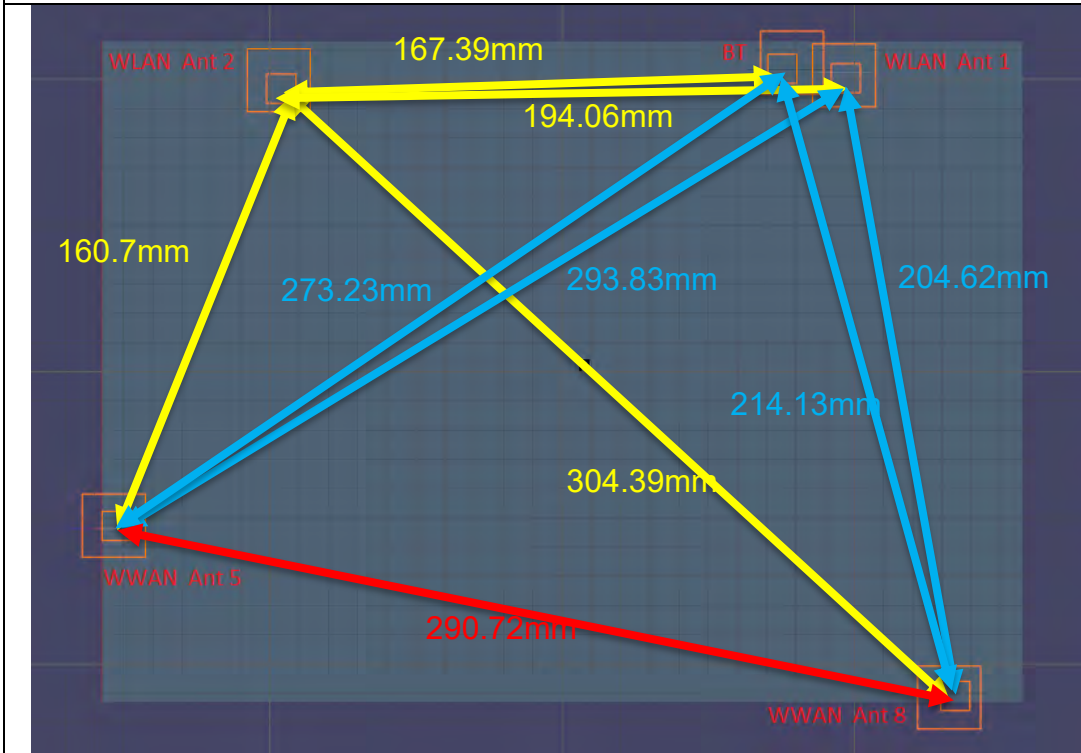


Unless otherwise stated the results shown in this test report refer only to the sample(s) tested and such sample(s) are retained for 90 days only.

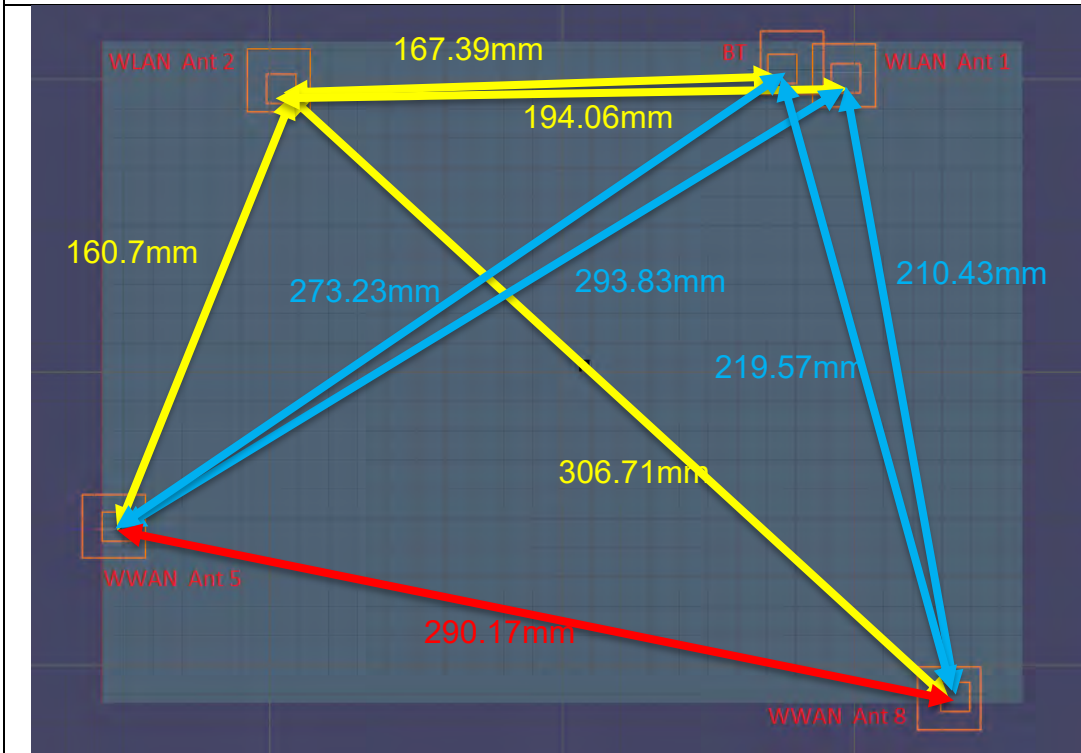
除非另有說明，此報告結果僅對測試之樣品負責，同時此樣品僅保留90天。本報告未經本公司書面許可，不可部份複製。

This document is issued by the Company subject to its General Conditions of Service printed overleaf, available on request or accessible at <http://www.sgs.com.tw/Terms-and-Conditions> and for electronic format documents, subject to Terms and Conditions for Electronic Documents at <http://www.sgs.com.tw/Terms-and-Conditions>. Attention is drawn to the limitation of liability, indemnification and jurisdiction issues defined therein. Any holder of this document is advised that information contained herein reflects the Company's findings at the time of its intervention only and within the limits of Client's instructions, if any. The Company's sole responsibility is to its Client and this document does not exonerate parties to a transaction from exercising all their rights and obligations under the transaction documents. This document cannot be reproduced except in full, without prior written approval of the Company. Any unauthorized alteration, forgery or falsification of the content or appearance of this document is unlawful and offenders may be prosecuted to the fullest extent of the law.

LTE Band 2_Ant 5+ NR n78_FCC_Ant 8 + 5GHz WLAN Ant 2+5GHz WLAN Ant 1+ Bluetooth Ant 1



LTE Band 2_Ant 5+ CA_41C_Ant 8 + 5GHz WLAN Ant 2+5GHz WLAN Ant 1+ Bluetooth Ant 1

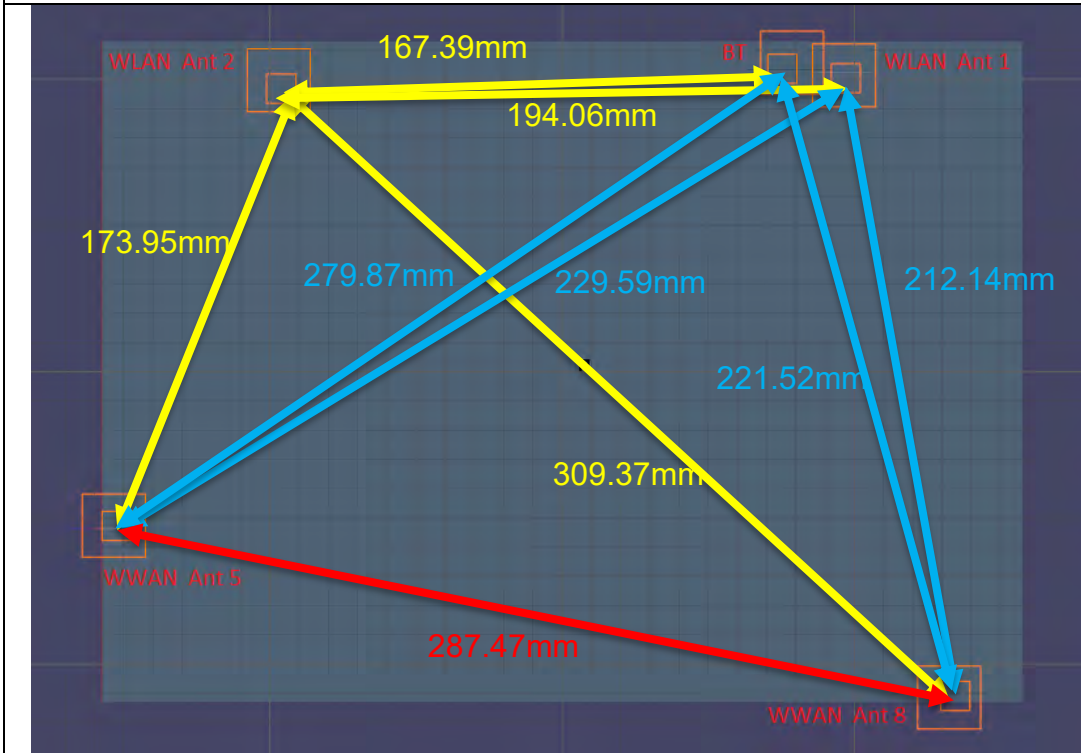


Unless otherwise stated the results shown in this test report refer only to the sample(s) tested and such sample(s) are retained for 90 days only.

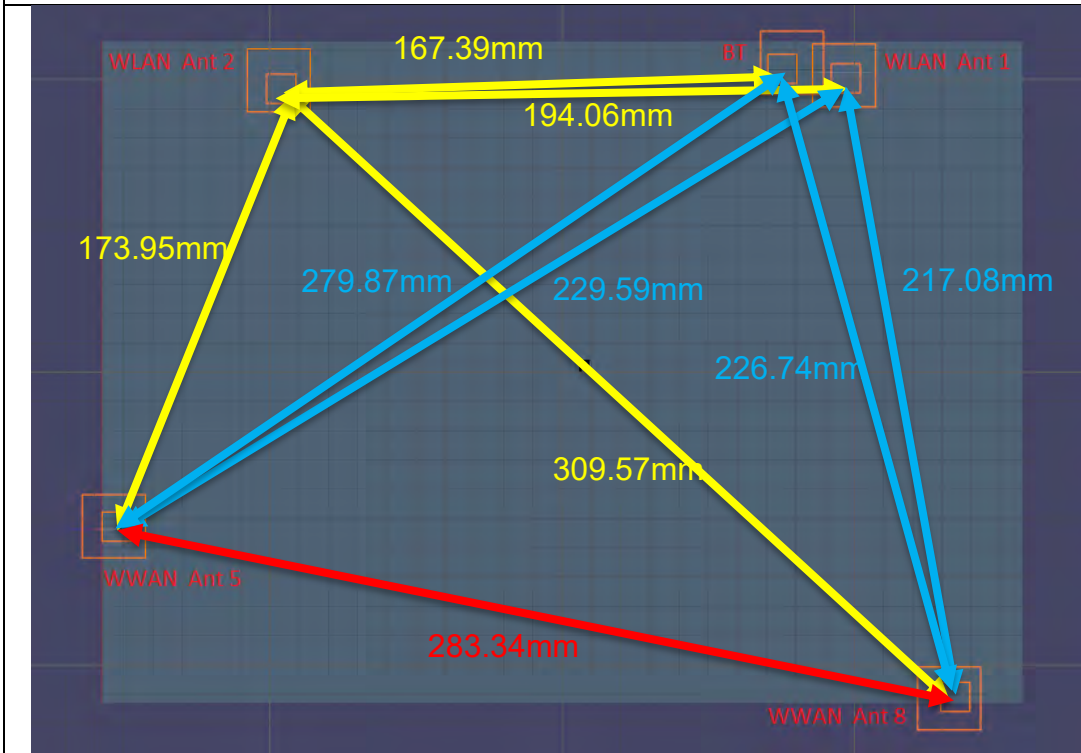
除非另有說明，此報告結果僅對測試之樣品負責，同時此樣品僅保留90天。本報告未經本公司書面許可，不可部份複製。

This document is issued by the Company subject to its General Conditions of Service printed overleaf, available on request or accessible at <http://www.sgs.com.tw/Terms-and-Conditions> and for electronic format documents, subject to Terms and Conditions for Electronic Documents at <http://www.sgs.com.tw/Terms-and-Conditions>. Attention is drawn to the limitation of liability, indemnification and jurisdiction issues defined therein. Any holder of this document is advised that information contained herein reflects the Company's findings at the time of its intervention only and within the limits of Client's instructions, if any. The Company's sole responsibility is to its Client and this document does not exonerate parties to a transaction from exercising all their rights and obligations under the transaction documents. This document cannot be reproduced except in full, without prior written approval of the Company. Any unauthorized alteration, forgery or falsification of the content or appearance of this document is unlawful and offenders may be prosecuted to the fullest extent of the law.

LTE Band 5_Ant 5+ NR n2_Ant 8 + 5GHz WLAN Ant 2+5GHz WLAN Ant 1+ Bluetooth Ant 1



LTE Band 5_Ant 5+ NR n66_Ant 8 + 5GHz WLAN Ant 2+5GHz WLAN Ant 1+ Bluetooth Ant 1

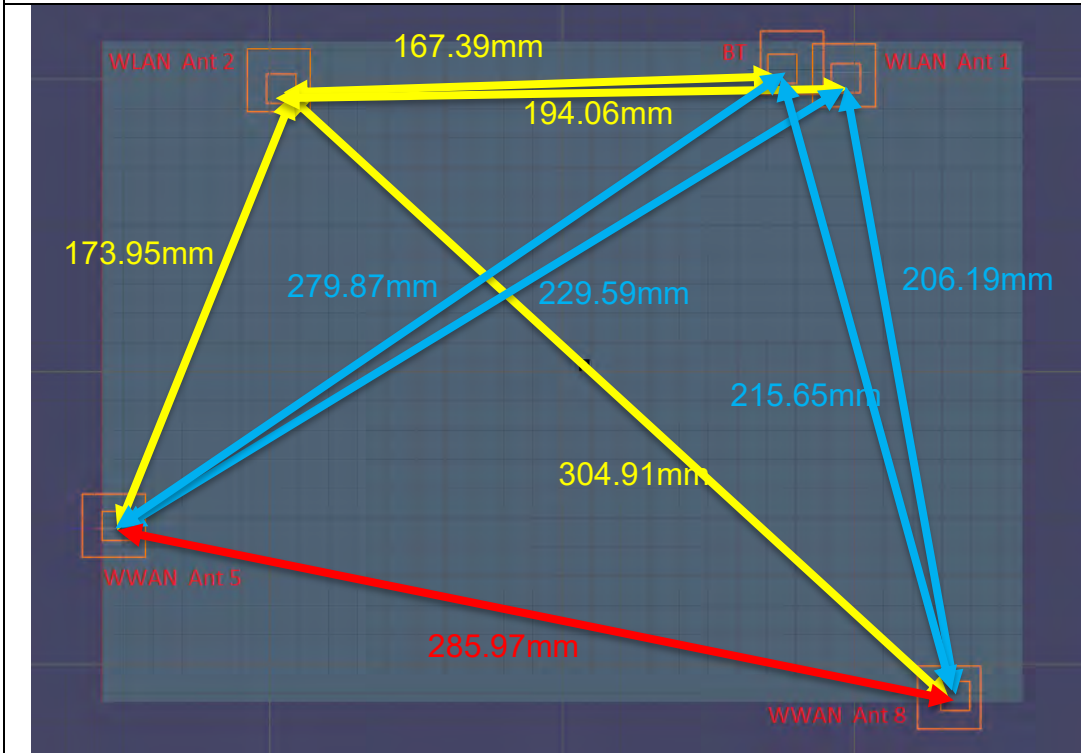


Unless otherwise stated the results shown in this test report refer only to the sample(s) tested and such sample(s) are retained for 90 days only.

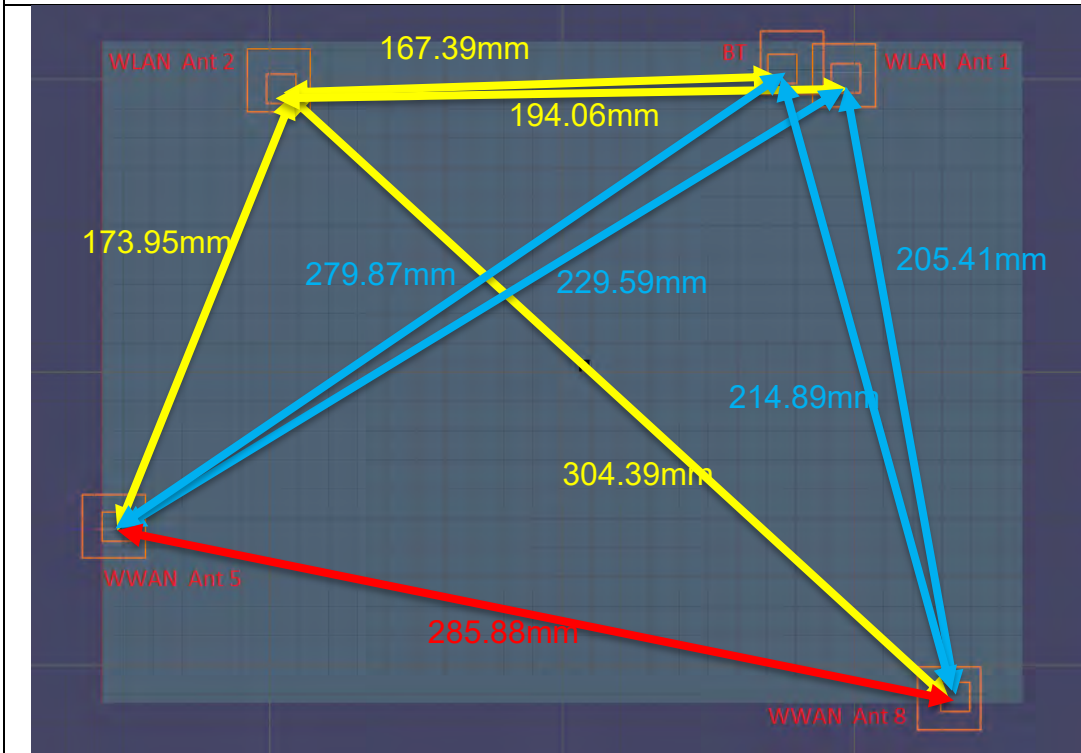
除非另有說明，此報告結果僅對測試之樣品負責，同時此樣品僅保留90天。本報告未經本公司書面許可，不可部份複製。

This document is issued by the Company subject to its General Conditions of Service printed overleaf, available on request or accessible at <http://www.sgs.com.tw/Terms-and-Conditions> and for electronic format documents, subject to Terms and Conditions for Electronic Documents at <http://www.sgs.com.tw/Terms-and-Conditions>. Attention is drawn to the limitation of liability, indemnification and jurisdiction issues defined therein. Any holder of this document is advised that information contained herein reflects the Company's findings at the time of its intervention only and within the limits of Client's instructions, if any. The Company's sole responsibility is to its Client and this document does not exonerate parties to a transaction from exercising all their rights and obligations under the transaction documents. This document cannot be reproduced except in full, without prior written approval of the Company. Any unauthorized alteration, forgery or falsification of the content or appearance of this document is unlawful and offenders may be prosecuted to the fullest extent of the law.

LTE Band 5_Ant 5+ NR n77_FCC_Ant 8 + 5GHz WLAN Ant 2+5GHz WLAN Ant 1+ Bluetooth Ant 1



LTE Band 5_Ant 5+ NR n77 & n78_FCC_Ant 8 + 5GHz WLAN Ant 2+5GHz WLAN Ant 1+ Bluetooth Ant 1

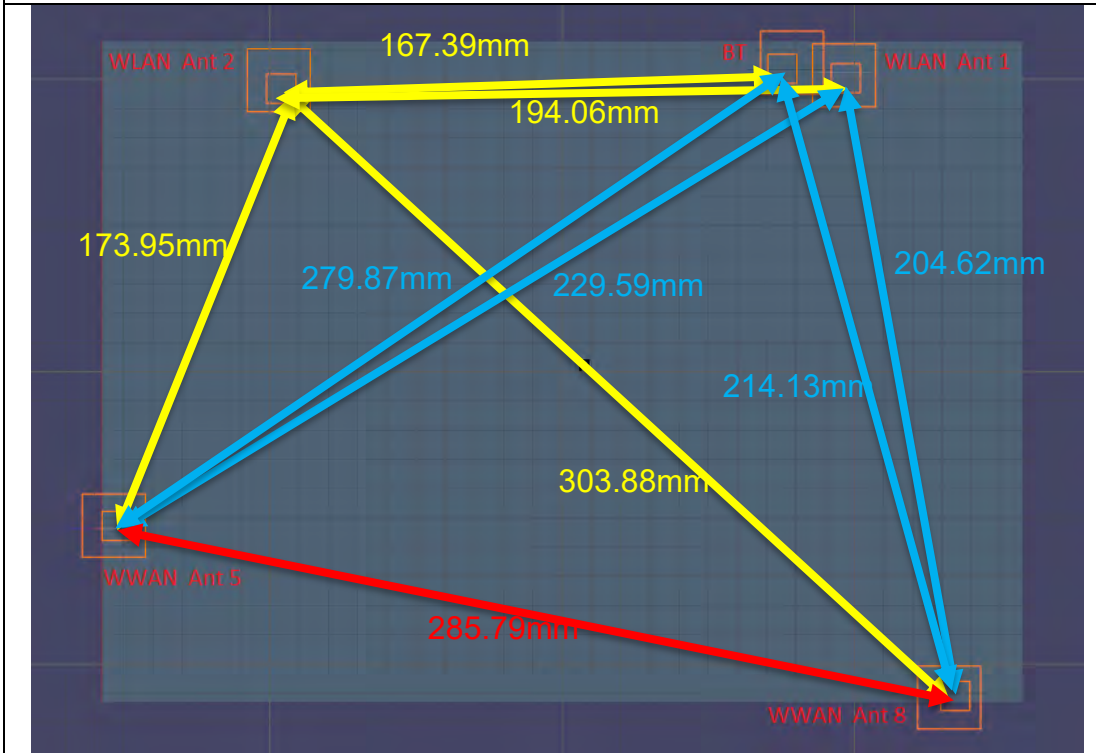


Unless otherwise stated the results shown in this test report refer only to the sample(s) tested and such sample(s) are retained for 90 days only.

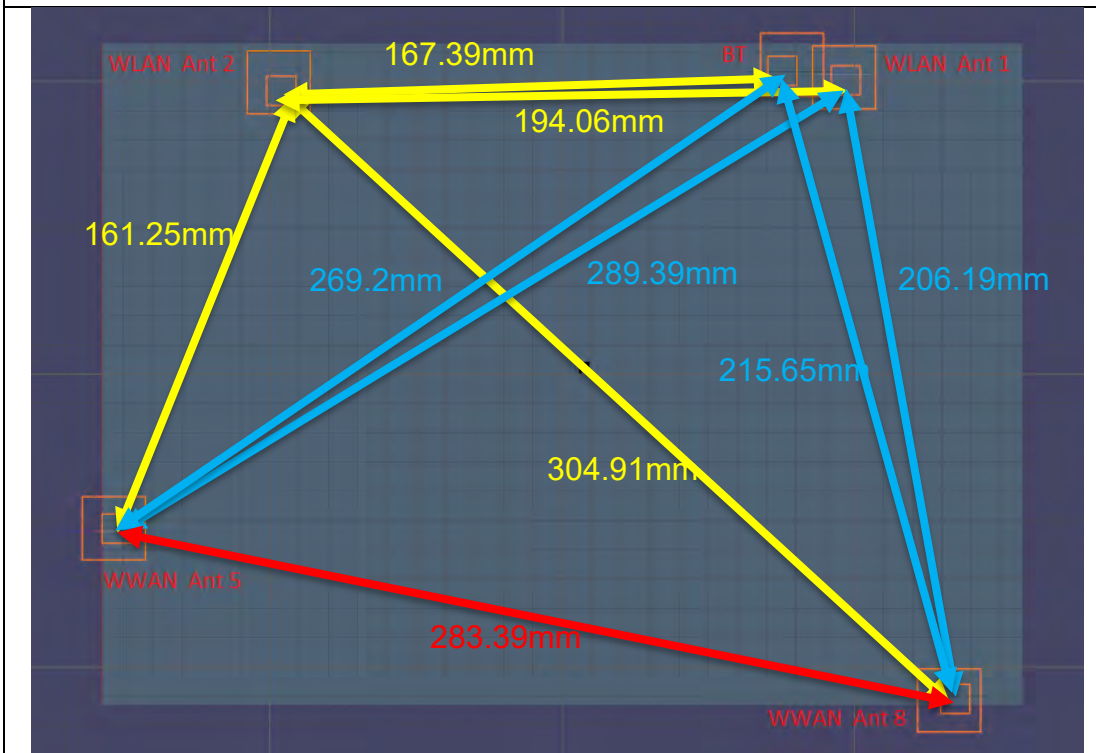
除非另有說明，此報告結果僅對測試之樣品負責，同時此樣品僅保留90天。本報告未經本公司書面許可，不可部份複製。

This document is issued by the Company subject to its General Conditions of Service printed overleaf, available on request or accessible at <http://www.sgs.com.tw/Terms-and-Conditions> and for electronic format documents, subject to Terms and Conditions for Electronic Documents at <http://www.sgs.com.tw/Terms-and-Conditions>. Attention is drawn to the limitation of liability, indemnification and jurisdiction issues defined therein. Any holder of this document is advised that information contained herein reflects the Company's findings at the time of its intervention only and within the limits of Client's instructions, if any. The Company's sole responsibility is to its Client and this document does not exonerate parties to a transaction from exercising all their rights and obligations under the transaction documents. This document cannot be reproduced except in full, without prior written approval of the Company. Any unauthorized alteration, forgery or falsification of the content or appearance of this document is unlawful and offenders may be prosecuted to the fullest extent of the law.

LTE Band 5_Ant 5+ NR n78_FCC_Ant 8 + 5GHz WLAN Ant 2+5GHz WLAN Ant 1+ Bluetooth Ant 1



LTE Band 7_Ant 5+ NR n77_FCC_Ant 8 + 5GHz WLAN Ant 2+5GHz WLAN Ant 1+ Bluetooth Ant 1

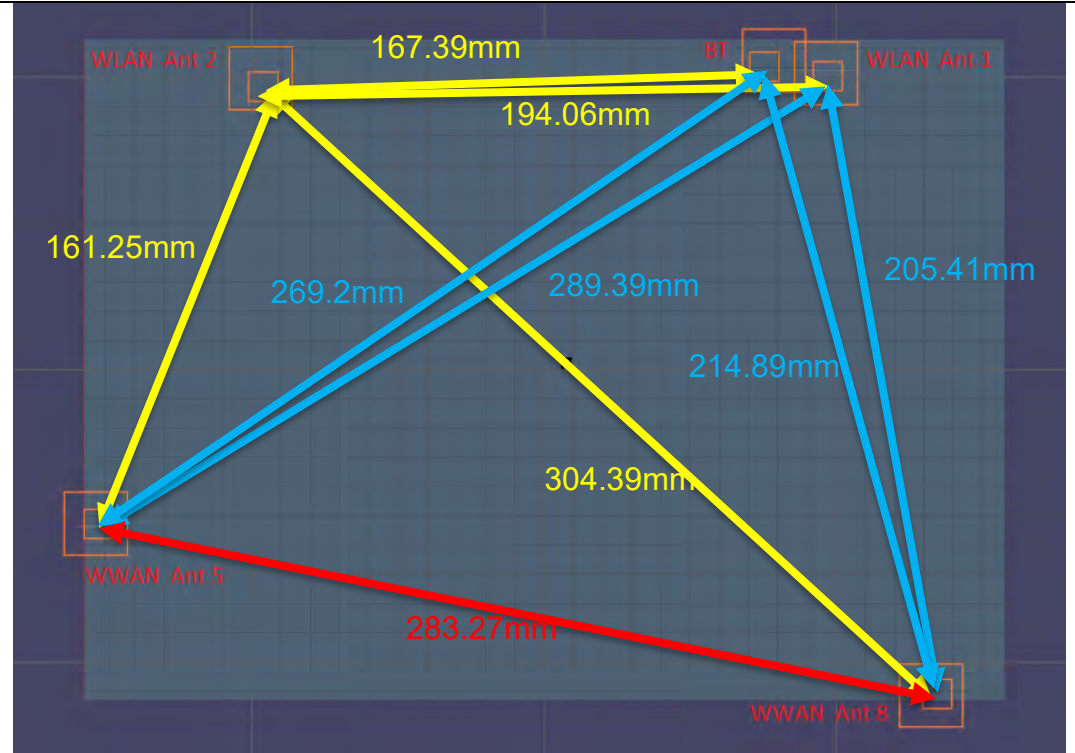


Unless otherwise stated the results shown in this test report refer only to the sample(s) tested and such sample(s) are retained for 90 days only.

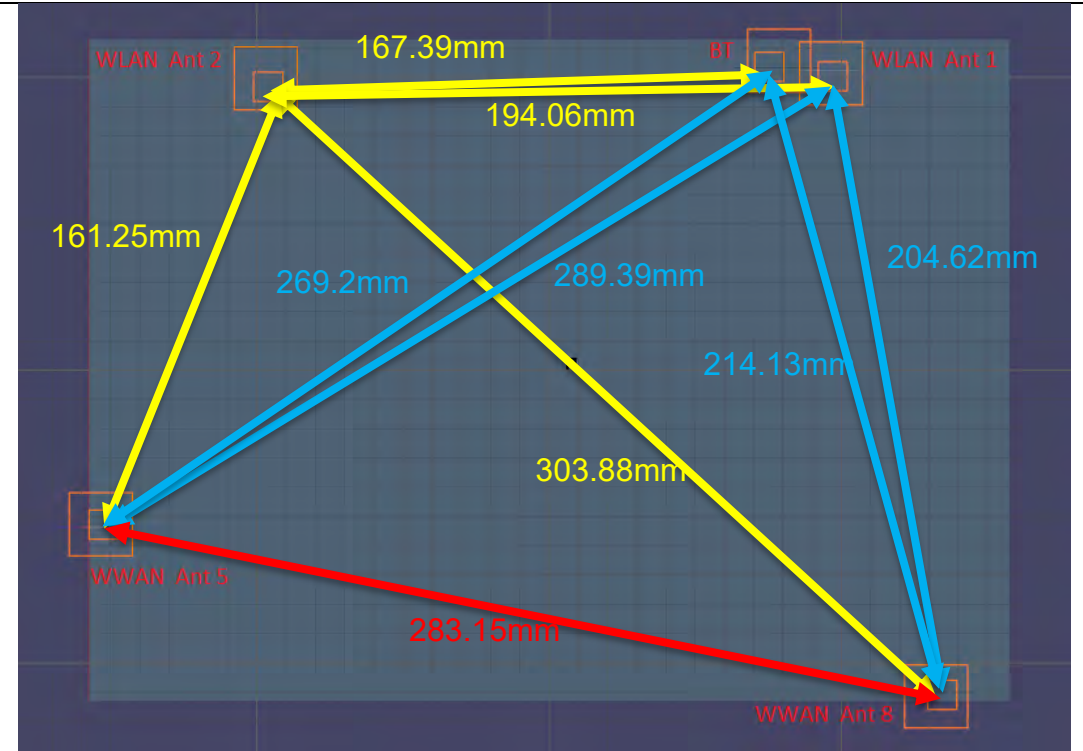
除非另有說明，此報告結果僅對測試之樣品負責，同時此樣品僅保留90天。本報告未經本公司書面許可，不可部份複製。

This document is issued by the Company subject to its General Conditions of Service printed overleaf, available on request or accessible at <http://www.sgs.com.tw/Terms-and-Conditions> and for electronic format documents, subject to Terms and Conditions for Electronic Documents at <http://www.sgs.com.tw/Terms-and-Conditions>. Attention is drawn to the limitation of liability, indemnification and jurisdiction issues defined therein. Any holder of this document is advised that information contained herein reflects the Company's findings at the time of its intervention only and within the limits of Client's instructions, if any. The Company's sole responsibility is to its Client and this document does not exonerate parties to a transaction from exercising all their rights and obligations under the transaction documents. This document cannot be reproduced except in full, without prior written approval of the Company. Any unauthorized alteration, forgery or falsification of the content or appearance of this document is unlawful and offenders may be prosecuted to the fullest extent of the law.

LTE Band 7_Ant 5+ NR n77 & n78_FCC_Ant 8 + 5GHz WLAN Ant 2+5GHz WLAN Ant 1+ Bluetooth Ant 1



LTE Band 7_Ant 5+ NR n78_FCC_Ant 8 + 5GHz WLAN Ant 2+5GHz WLAN Ant 1+ Bluetooth Ant 1

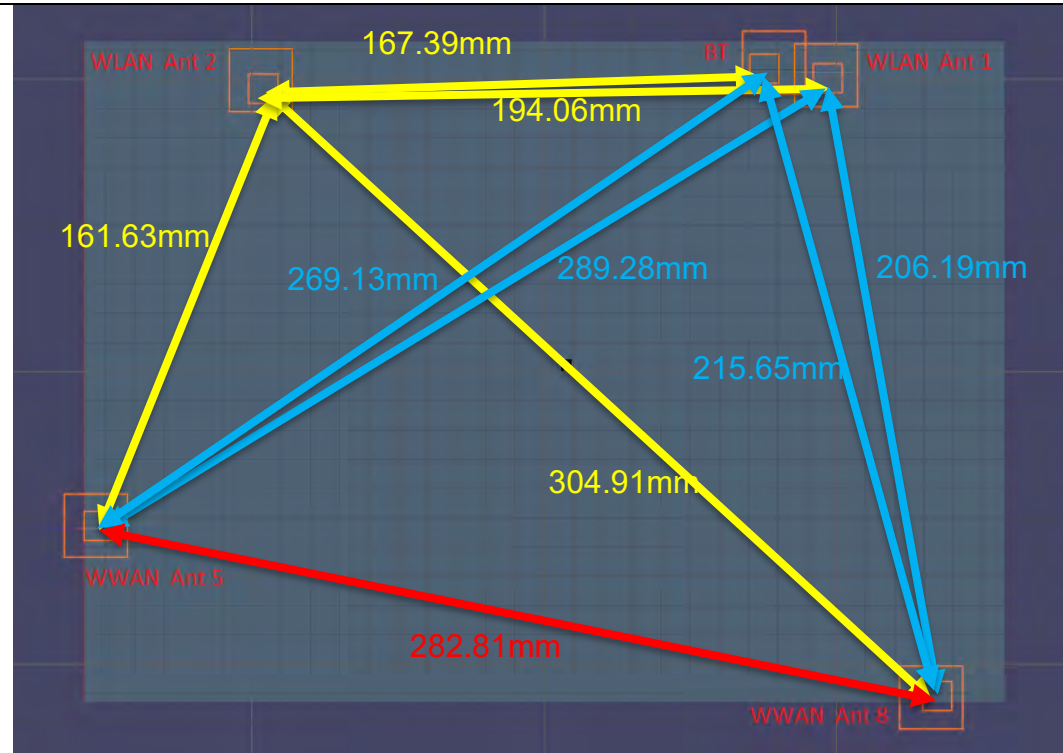


Unless otherwise stated the results shown in this test report refer only to the sample(s) tested and such sample(s) are retained for 90 days only.

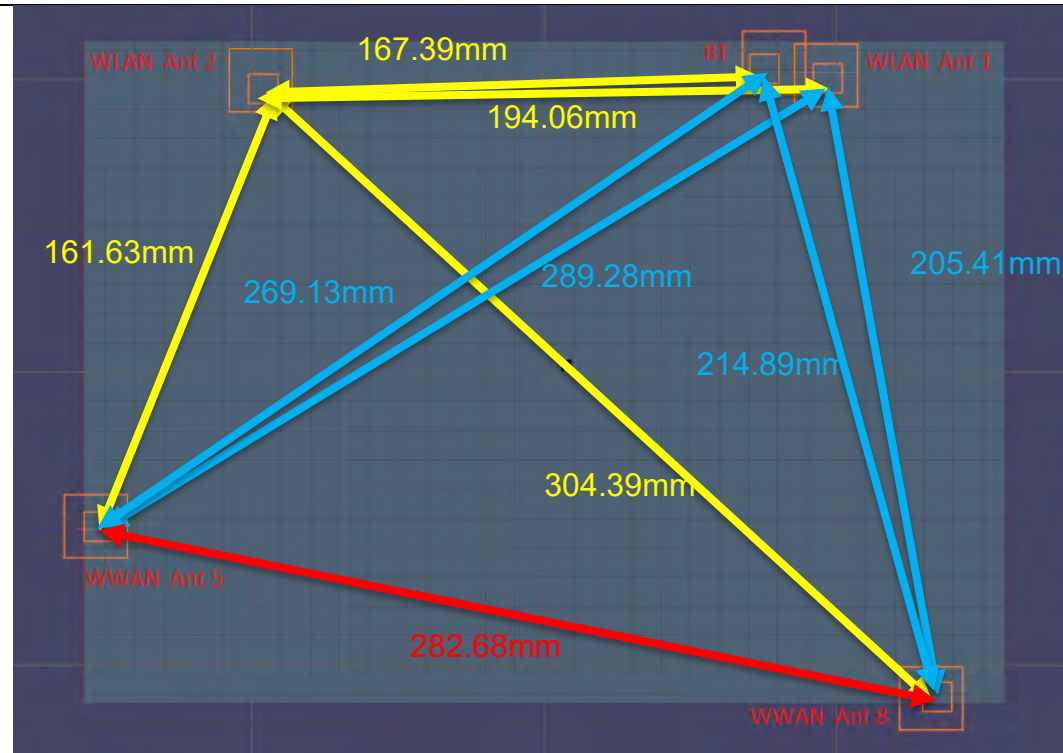
除非另有說明，此報告結果僅對測試之樣品負責，同時此樣品僅保留90天。本報告未經本公司書面許可，不可部份複製。

This document is issued by the Company subject to its General Conditions of Service printed overleaf, available on request or accessible at <http://www.sgs.com.tw/Terms-and-Conditions> and for electronic format documents, subject to Terms and Conditions for Electronic Documents at <http://www.sgs.com.tw/Terms-and-Conditions>. Attention is drawn to the limitation of liability, indemnification and jurisdiction issues defined therein. Any holder of this document is advised that information contained herein reflects the Company's findings at the time of its intervention only and within the limits of Client's instructions, if any. The Company's sole responsibility is to its Client and this document does not exonerate parties to a transaction from exercising all their rights and obligations under the transaction documents. This document cannot be reproduced except in full, without prior written approval of the Company. Any unauthorized alteration, forgery or falsification of the content or appearance of this document is unlawful and offenders may be prosecuted to the fullest extent of the law.

CA_7C_Ant 5+ NR n77_FCC_Ant 8 + 5GHz WLAN Ant 2+5GHz WLAN Ant 1+ Bluetooth Ant 1



CA_7C_Ant 5+ NR n77 & n78_FCC_Ant 8 + 5GHz WLAN Ant 2+5GHz WLAN Ant 1+ Bluetooth Ant 1

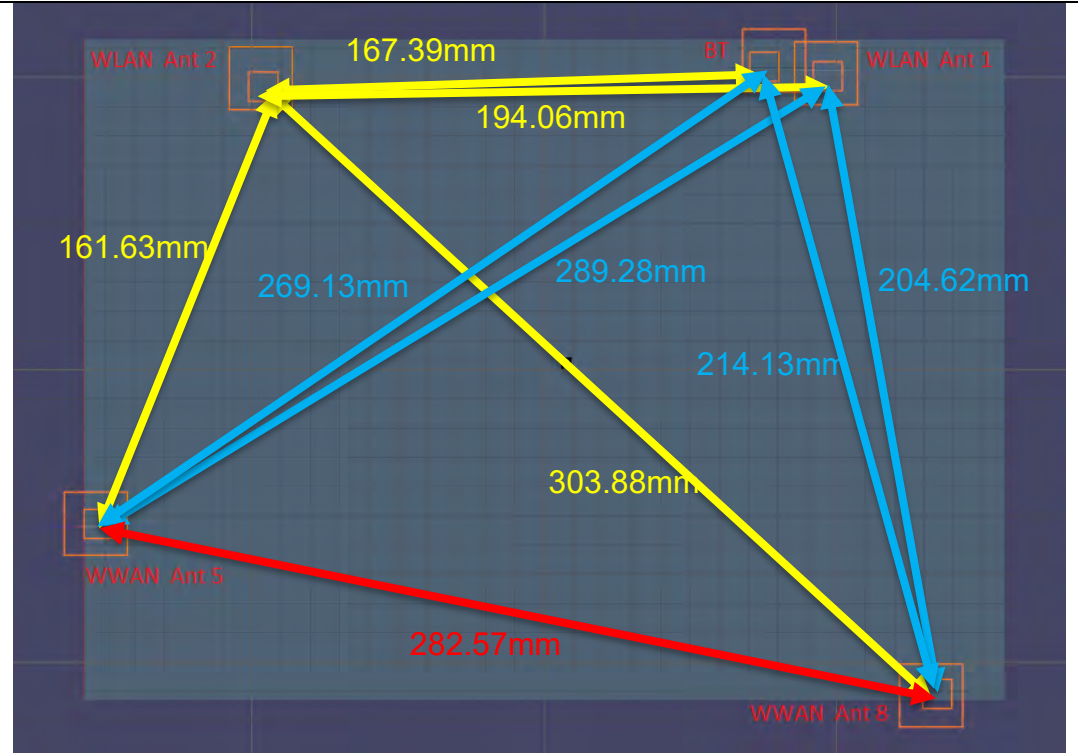


Unless otherwise stated the results shown in this test report refer only to the sample(s) tested and such sample(s) are retained for 90 days only.

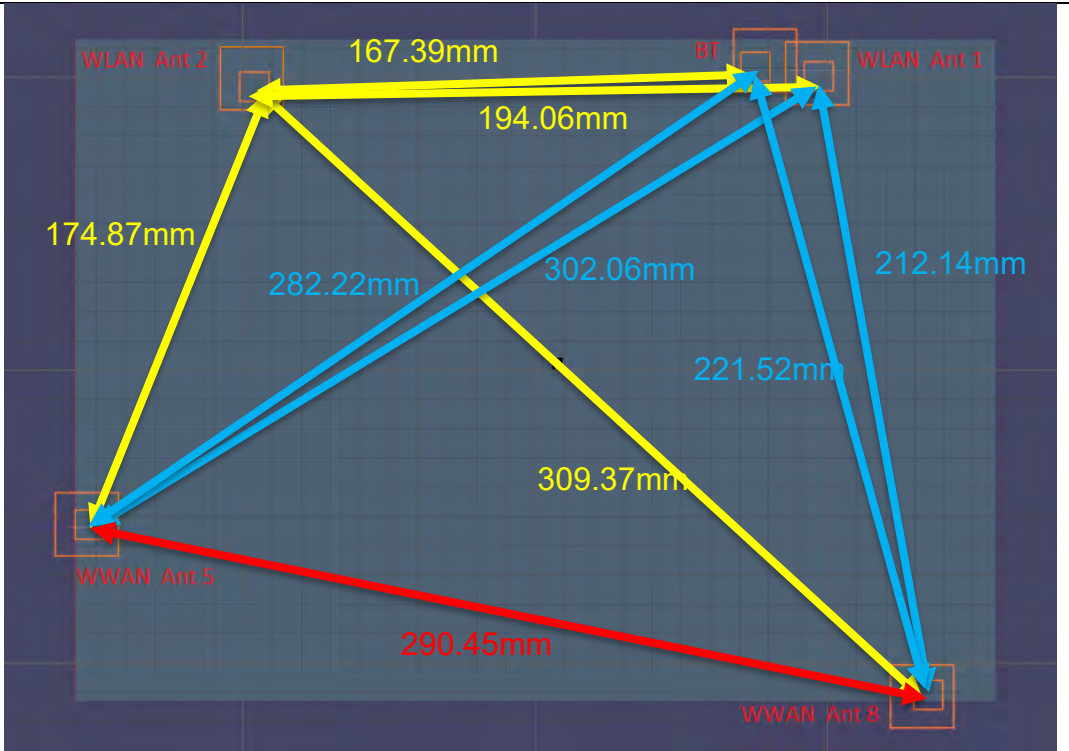
除非另有說明，此報告結果僅對測試之樣品負責，同時此樣品僅保留90天。本報告未經本公司書面許可，不可部份複製。

This document is issued by the Company subject to its General Conditions of Service printed overleaf, available on request or accessible at <http://www.sgs.com.tw/Terms-and-Conditions> and for electronic format documents, subject to Terms and Conditions for Electronic Documents at <http://www.sgs.com.tw/Terms-and-Conditions>. Attention is drawn to the limitation of liability, indemnification and jurisdiction issues defined therein. Any holder of this document is advised that information contained herein reflects the Company's findings at the time of its intervention only and within the limits of Client's instructions, if any. The Company's sole responsibility is to its Client and this document does not exonerate parties to a transaction from exercising all their rights and obligations under the transaction documents. This document cannot be reproduced except in full, without prior written approval of the Company. Any unauthorized alteration, forgery or falsification of the content or appearance of this document is unlawful and offenders may be prosecuted to the fullest extent of the law.

CA_7C_Ant 5+ NR n78_FCC_Ant 8 + 5GHz WLAN Ant 2+5GHz WLAN Ant 1+ Bluetooth Ant 1



LTE Band 12_Ant 5+ NR n2_Ant 8 + 5GHz WLAN Ant 2+5GHz WLAN Ant 1+ Bluetooth Ant 1

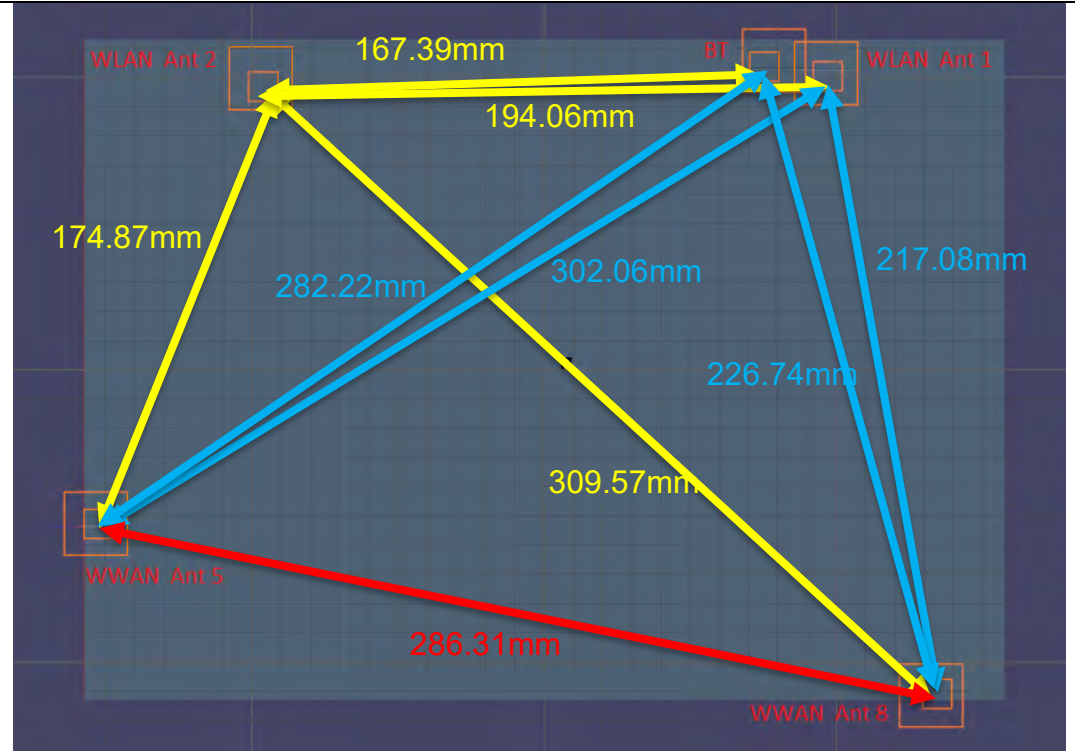


Unless otherwise stated the results shown in this test report refer only to the sample(s) tested and such sample(s) are retained for 90 days only.

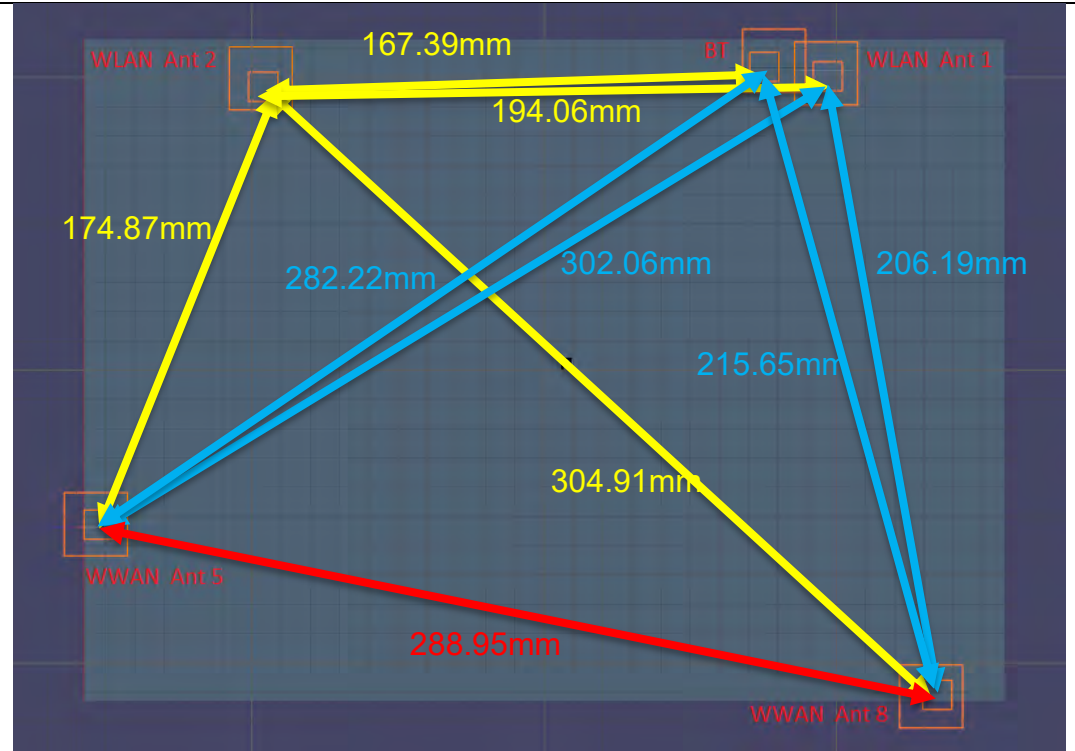
除非另有說明，此報告結果僅對測試之樣品負責，同時此樣品僅保留90天。本報告未經本公司書面許可，不可部份複製。

This document is issued by the Company subject to its General Conditions of Service printed overleaf, available on request or accessible at <http://www.sgs.com.tw/Terms-and-Conditions> and for electronic format documents, subject to Terms and Conditions for Electronic Documents at <http://www.sgs.com.tw/Terms-and-Conditions>. Attention is drawn to the limitation of liability, indemnification and jurisdiction issues defined therein. Any holder of this document is advised that information contained hereon reflects the Company's findings at the time of its intervention only and within the limits of Client's instructions, if any. The Company's sole responsibility is to its Client and this document does not exonerate parties to a transaction from exercising all their rights and obligations under the transaction documents. This document cannot be reproduced except in full, without prior written approval of the Company. Any unauthorized alteration, forgery or falsification of the content or appearance of this document is unlawful and offenders may be prosecuted to the fullest extent of the law.

LTE Band 12_Ant 5+ NR n66_Ant 8 + 5GHz WLAN Ant 2+5GHz WLAN Ant 1+ Bluetooth Ant 1



LTE Band 12_Ant 5+ NR n77_FCC_Ant 8 + 5GHz WLAN Ant 2+5GHz WLAN Ant 1+ Bluetooth Ant 1

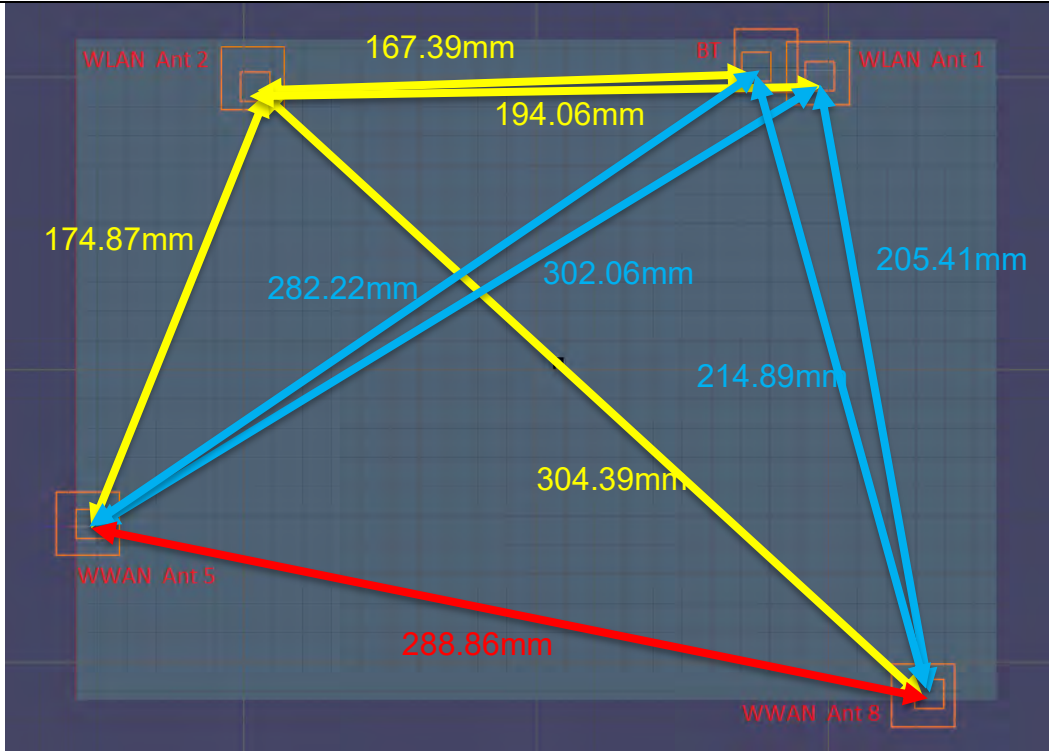


Unless otherwise stated the results shown in this test report refer only to the sample(s) tested and such sample(s) are retained for 90 days only.

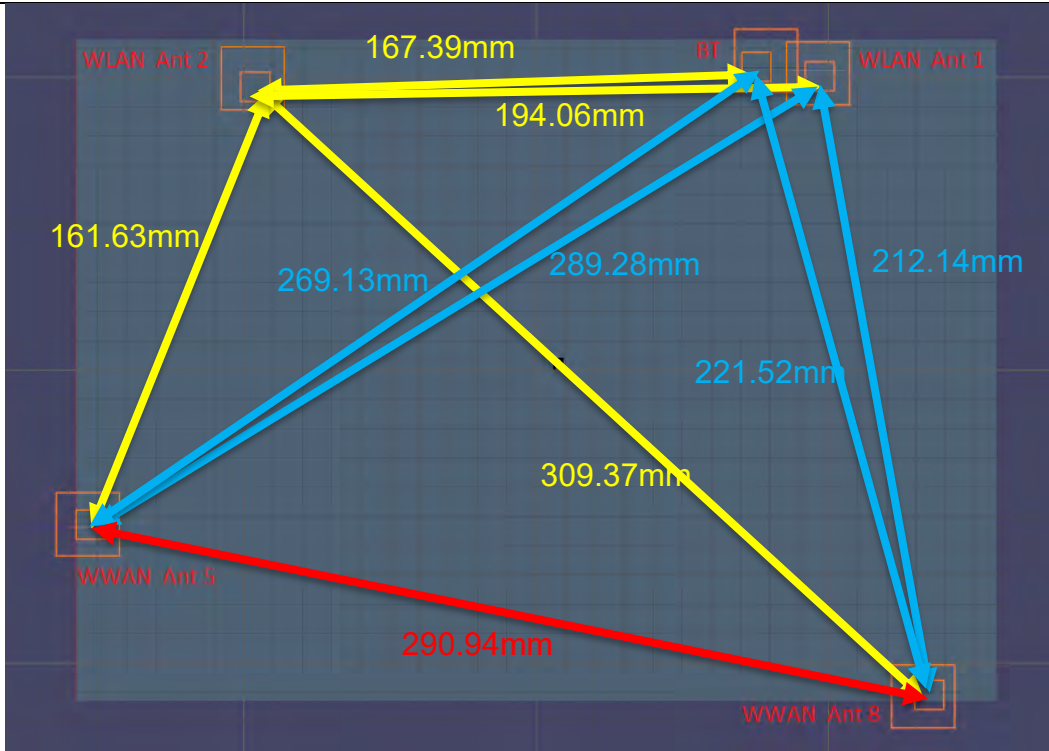
除非另有說明，此報告結果僅對測試之樣品負責，同時此樣品僅保留90天。本報告未經本公司書面許可，不可部份複製。

This document is issued by the Company subject to its General Conditions of Service printed overleaf, available on request or accessible at <http://www.sgs.com.tw/Terms-and-Conditions> and for electronic format documents, subject to Terms and Conditions for Electronic Documents at <http://www.sgs.com.tw/Terms-and-Conditions>. Attention is drawn to the limitation of liability, indemnification and jurisdiction issues defined therein. Any holder of this document is advised that information contained hereon reflects the Company's findings at the time of its intervention only and within the limits of Client's instructions, if any. The Company's sole responsibility is to its Client and this document does not exonerate parties to a transaction from exercising all their rights and obligations under the transaction documents. This document cannot be reproduced except in full, without prior written approval of the Company. Any unauthorized alteration, forgery or falsification of the content or appearance of this document is unlawful and offenders may be prosecuted to the fullest extent of the law.

LTE Band 12_Ant 5+ NR n77 & n78_FCC_Ant 8 + 5GHz WLAN Ant 2+5GHz WLAN Ant 1+ Bluetooth Ant 1



LTE Band 13_Ant 5+ NR n2_Ant 8 + 5GHz WLAN Ant 2+5GHz WLAN Ant 1+ Bluetooth Ant 1

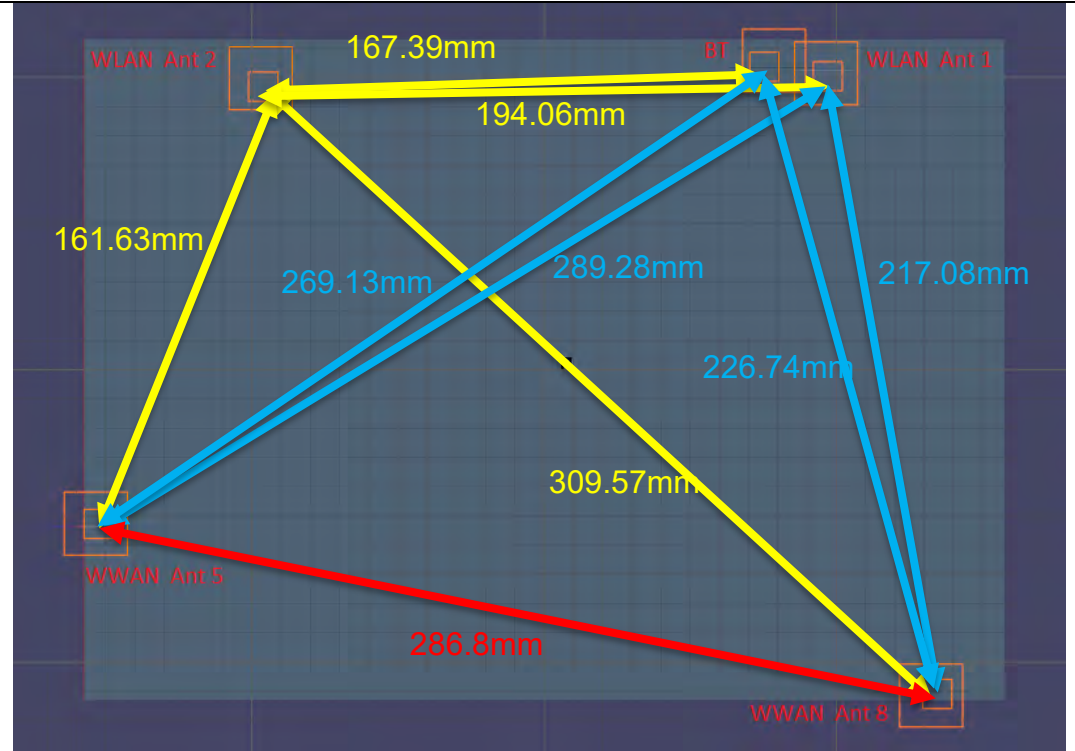


Unless otherwise stated the results shown in this test report refer only to the sample(s) tested and such sample(s) are retained for 90 days only.

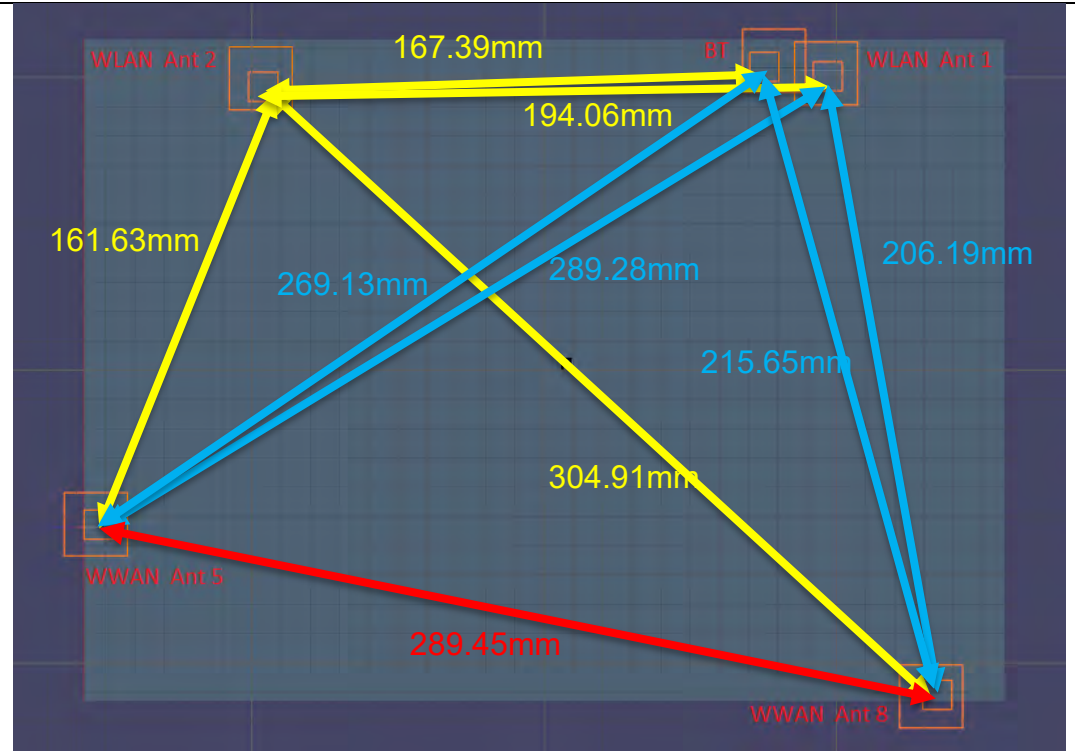
除非另有說明，此報告結果僅對測試之樣品負責，同時此樣品僅保留90天。本報告未經本公司書面許可，不可部份複製。

This document is issued by the Company subject to its General Conditions of Service printed overleaf, available on request or accessible at <http://www.sgs.com.tw/Terms-and-Conditions> and for electronic format documents, subject to Terms and Conditions for Electronic Documents at <http://www.sgs.com.tw/Terms-and-Conditions>. Attention is drawn to the limitation of liability, indemnification and jurisdiction issues defined therein. Any holder of this document is advised that information contained herein reflects the Company's findings at the time of its intervention only and within the limits of Client's instructions, if any. The Company's sole responsibility is to its Client and this document does not exonerate parties to a transaction from exercising all their rights and obligations under the transaction documents. This document cannot be reproduced except in full, without prior written approval of the Company. Any unauthorized alteration, forgery or falsification of the content or appearance of this document is unlawful and offenders may be prosecuted to the fullest extent of the law.

LTE Band 13_Ant 5+ NR n66_Ant 8 + 5GHz WLAN Ant 2+5GHz WLAN Ant 1+ Bluetooth Ant 1



LTE Band 13_Ant 5+ NR n77_FCC_Ant 8 + 5GHz WLAN Ant 2+5GHz WLAN Ant 1+ Bluetooth Ant 1

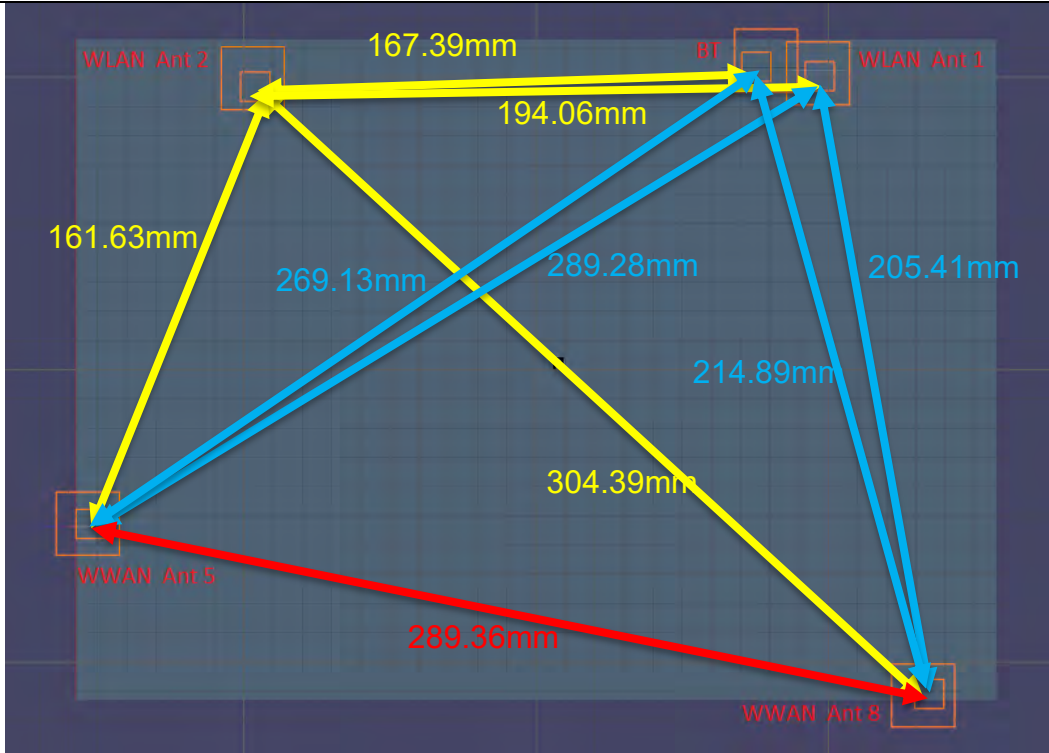


Unless otherwise stated the results shown in this test report refer only to the sample(s) tested and such sample(s) are retained for 90 days only.

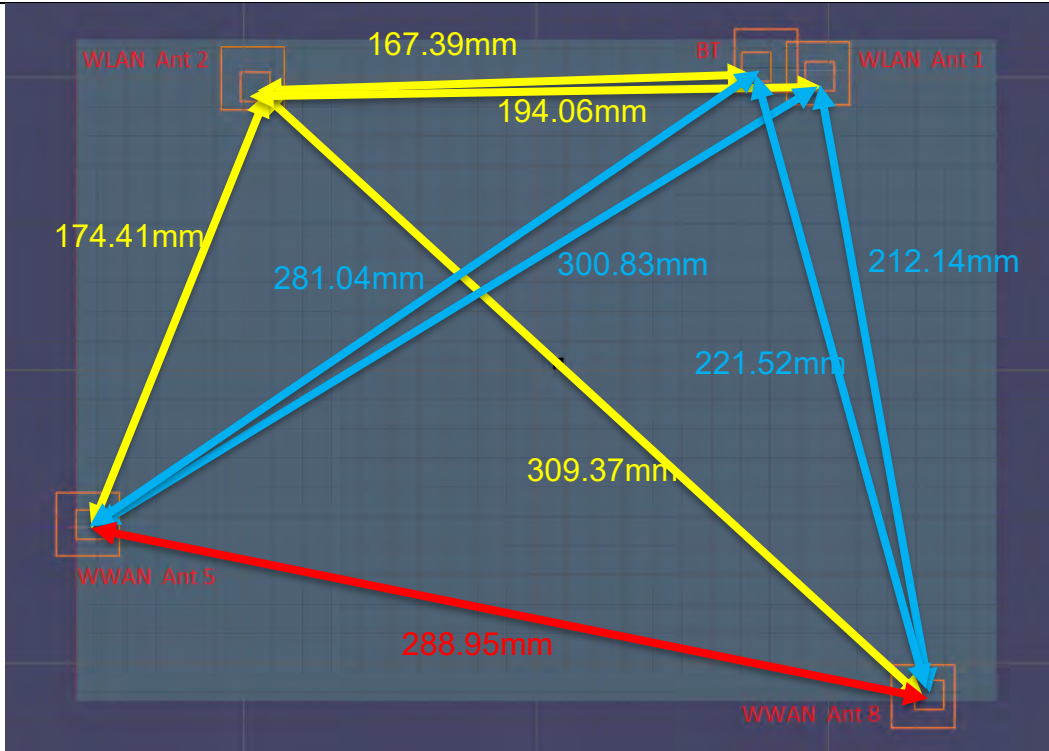
除非另有說明，此報告結果僅對測試之樣品負責，同時此樣品僅保留90天。本報告未經本公司書面許可，不可部份複製。

This document is issued by the Company subject to its General Conditions of Service printed overleaf, available on request or accessible at <http://www.sgs.com.tw/Terms-and-Conditions> and for electronic format documents, subject to Terms and Conditions for Electronic Documents at <http://www.sgs.com.tw/Terms-and-Conditions>. Attention is drawn to the limitation of liability, indemnification and jurisdiction issues defined therein. Any holder of this document is advised that information contained hereon reflects the Company's findings at the time of its intervention only and within the limits of Client's instructions, if any. The Company's sole responsibility is to its Client and this document does not exonerate parties to a transaction from exercising all their rights and obligations under the transaction documents. This document cannot be reproduced except in full, without prior written approval of the Company. Any unauthorized alteration, forgery or falsification of the content or appearance of this document is unlawful and offenders may be prosecuted to the fullest extent of the law.

LTE Band 13_Ant 5+ NR n77 & n78_FCC_Ant 8 + 5GHz WLAN Ant 2+5GHz WLAN Ant 1+ Bluetooth Ant 1



LTE Band 14_Ant 5+ NR n2_Ant 8 + 5GHz WLAN Ant 2+5GHz WLAN Ant 1+ Bluetooth Ant 1

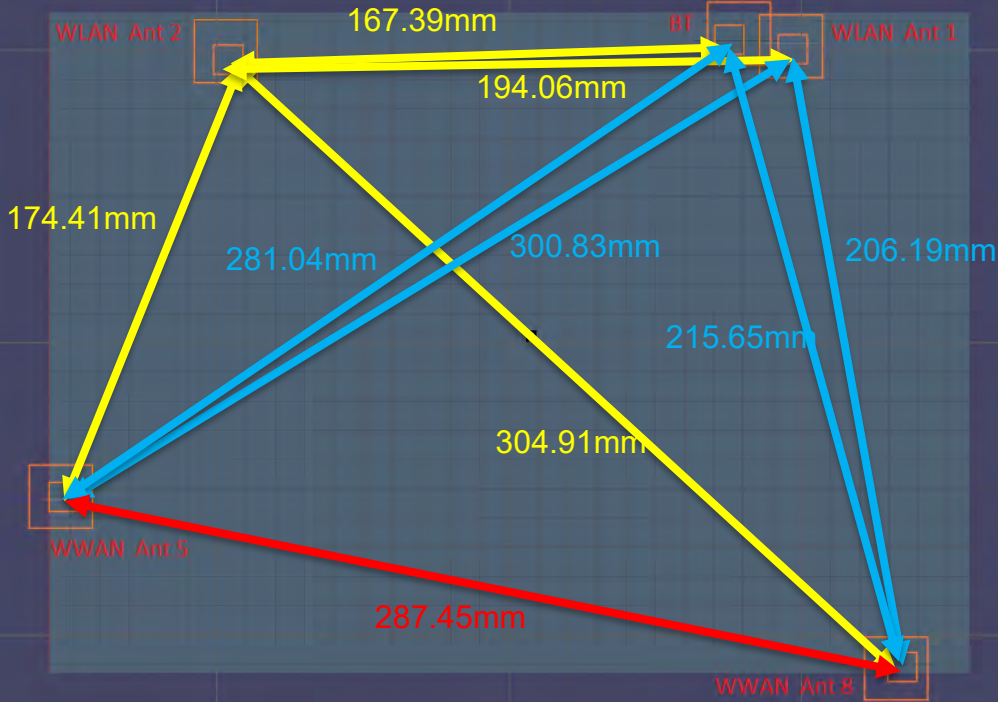


Unless otherwise stated the results shown in this test report refer only to the sample(s) tested and such sample(s) are retained for 90 days only.

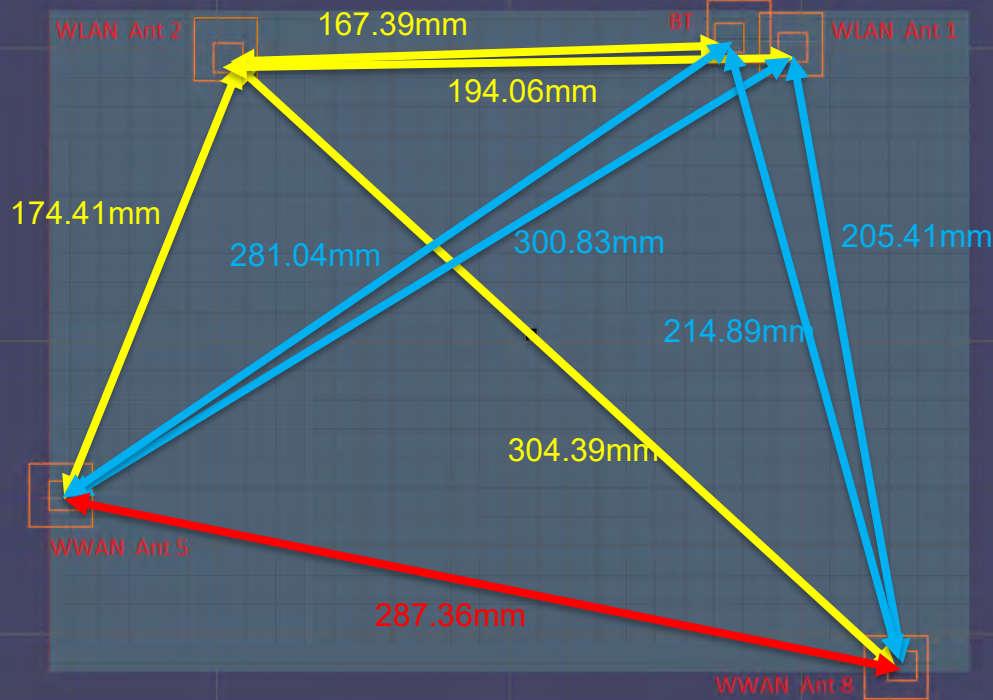
除非另有說明，此報告結果僅對測試之樣品負責，同時此樣品僅保留90天。本報告未經本公司書面許可，不可部份複製。

This document is issued by the Company subject to its General Conditions of Service printed overleaf, available on request or accessible at <http://www.sgs.com.tw/Terms-and-Conditions> and for electronic format documents, subject to Terms and Conditions for Electronic Documents at <http://www.sgs.com.tw/Terms-and-Conditions>. Attention is drawn to the limitation of liability, indemnification and jurisdiction issues defined therein. Any holder of this document is advised that information contained herein reflects the Company's findings at the time of its intervention only and within the limits of Client's instructions, if any. The Company's sole responsibility is to its Client and this document does not exonerate parties to a transaction from exercising all their rights and obligations under the transaction documents. This document cannot be reproduced except in full, without prior written approval of the Company. Any unauthorized alteration, forgery or falsification of the content or appearance of this document is unlawful and offenders may be prosecuted to the fullest extent of the law.

LTE Band 14_Ant 5+ NR n77_FCC_Ant 8 + 5GHz WLAN Ant 2+5GHz
WLAN Ant 1+ Bluetooth Ant 1



LTE Band 14_Ant 5+ NR n77 & n78_FCC_Ant 8 + 5GHz WLAN Ant
2+5GHz WLAN Ant 1+ Bluetooth Ant 1

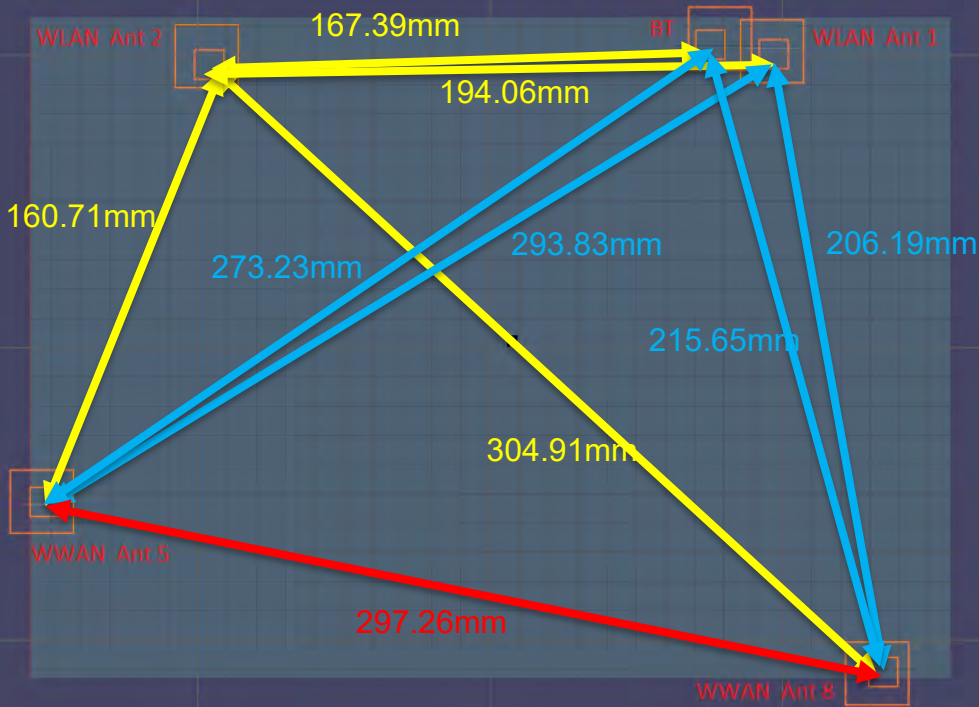


Unless otherwise stated the results shown in this test report refer only to the sample(s) tested and such sample(s) are retained for 90 days only.

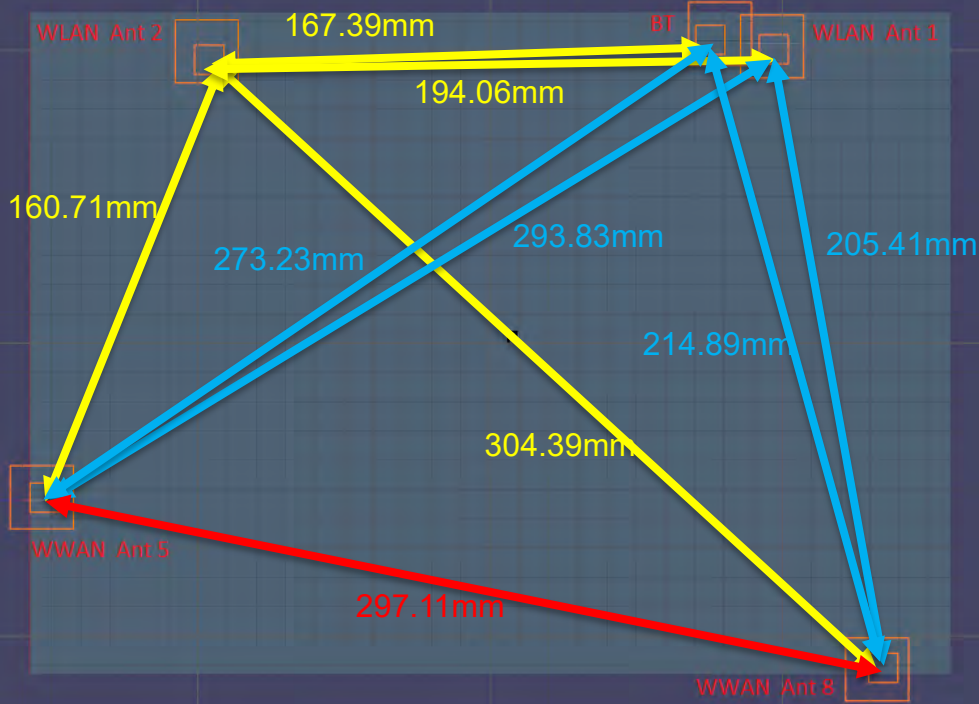
除非另有說明，此報告結果僅對測試之樣品負責，同時此樣品僅保留90天。本報告未經本公司書面許可，不可部份複製。

This document is issued by the Company subject to its General Conditions of Service printed overleaf, available on request or accessible at <http://www.sgs.com.tw/Terms-and-Conditions> and for electronic format documents, subject to Terms and Conditions for Electronic Documents at <http://www.sgs.com.tw/Terms-and-Conditions>. Attention is drawn to the limitation of liability, indemnification and jurisdiction issues defined therein. Any holder of this document is advised that information contained hereon reflects the Company's findings at the time of its intervention only and within the limits of Client's instructions, if any. The Company's sole responsibility is to its Client and this document does not exonerate parties to a transaction from exercising all their rights and obligations under the transaction documents. This document cannot be reproduced except in full, without prior written approval of the Company. Any unauthorized alteration, forgery or falsification of the content or appearance of this document is unlawful and offenders may be prosecuted to the fullest extent of the law.

LTE Band 30_Ant 5+ NR n77_FCC_Ant 8 + 5GHz WLAN Ant 2+5GHz
WLAN Ant 1+ Bluetooth Ant 1



LTE Band 30_Ant 5+ NR n77 & n78_FCC_Ant 8 + 5GHz WLAN Ant
2+5GHz WLAN Ant 1+ Bluetooth Ant 1

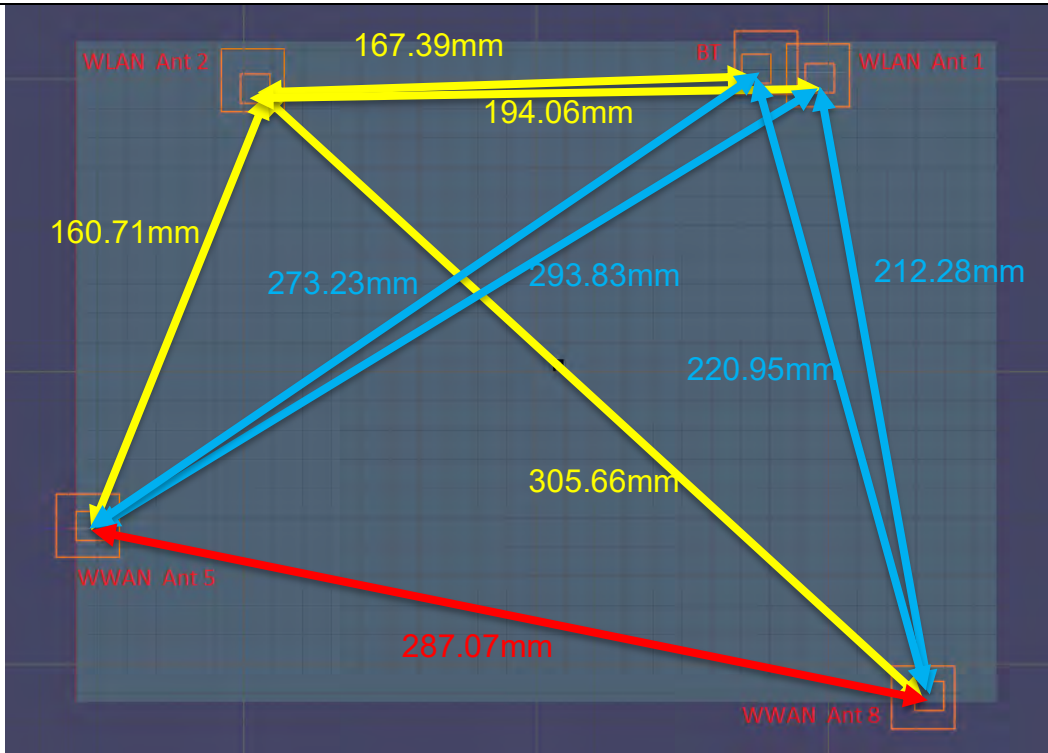


Unless otherwise stated the results shown in this test report refer only to the sample(s) tested and such sample(s) are retained for 90 days only.

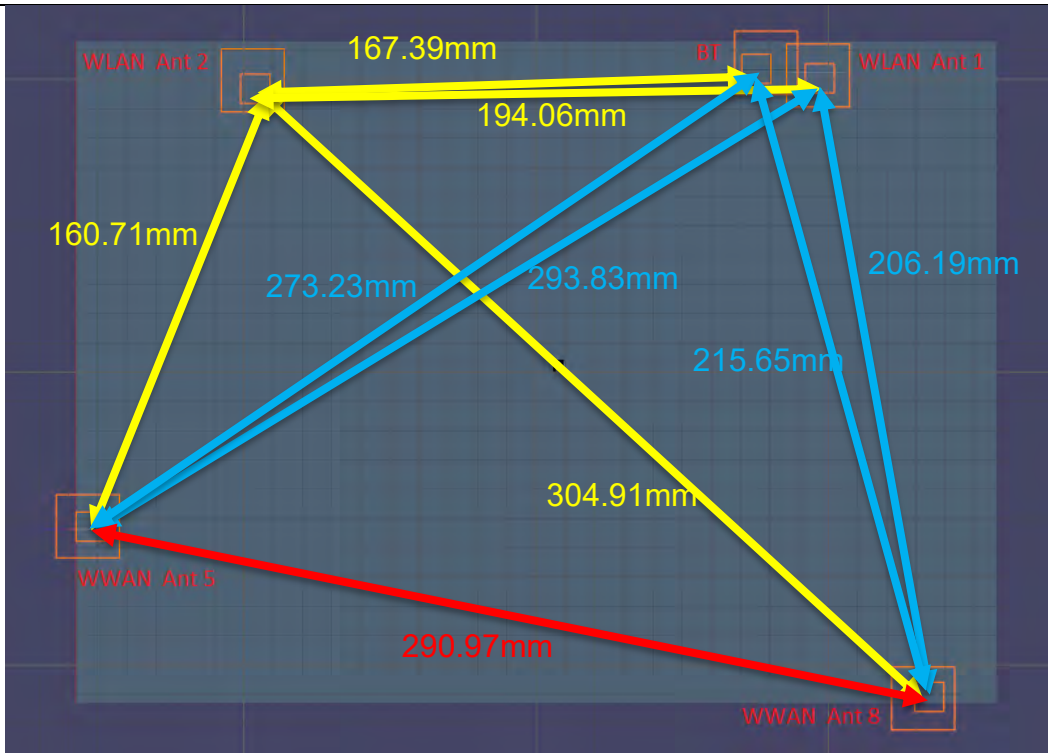
除非另有說明，此報告結果僅對測試之樣品負責，同時此樣品僅保留90天。本報告未經本公司書面許可，不可部份複製。

This document is issued by the Company subject to its General Conditions of Service printed overleaf, available on request or accessible at <http://www.sgs.com.tw/Terms-and-Conditions> and for electronic format documents, subject to Terms and Conditions for Electronic Documents at <http://www.sgs.com.tw/Terms-and-Conditions>. Attention is drawn to the limitation of liability, indemnification and jurisdiction issues defined therein. Any holder of this document is advised that information contained herein reflects the Company's findings at the time of its intervention only and within the limits of Client's instructions, if any. The Company's sole responsibility is to its Client and this document does not exonerate parties to a transaction from exercising all their rights and obligations under the transaction documents. This document cannot be reproduced except in full, without prior written approval of the Company. Any unauthorized alteration, forgery or falsification of the content or appearance of this document is unlawful and offenders may be prosecuted to the fullest extent of the law.

LTE Band 66_Ant 5+ NR n41_FCC_Ant 8 + 5GHz WLAN Ant 2+5GHz
WLAN Ant 1+ Bluetooth Ant 1



LTE Band 66_Ant 5+ NR n77_FCC_Ant 8 + 5GHz WLAN Ant 2+5GHz
WLAN Ant 1+ Bluetooth Ant 1

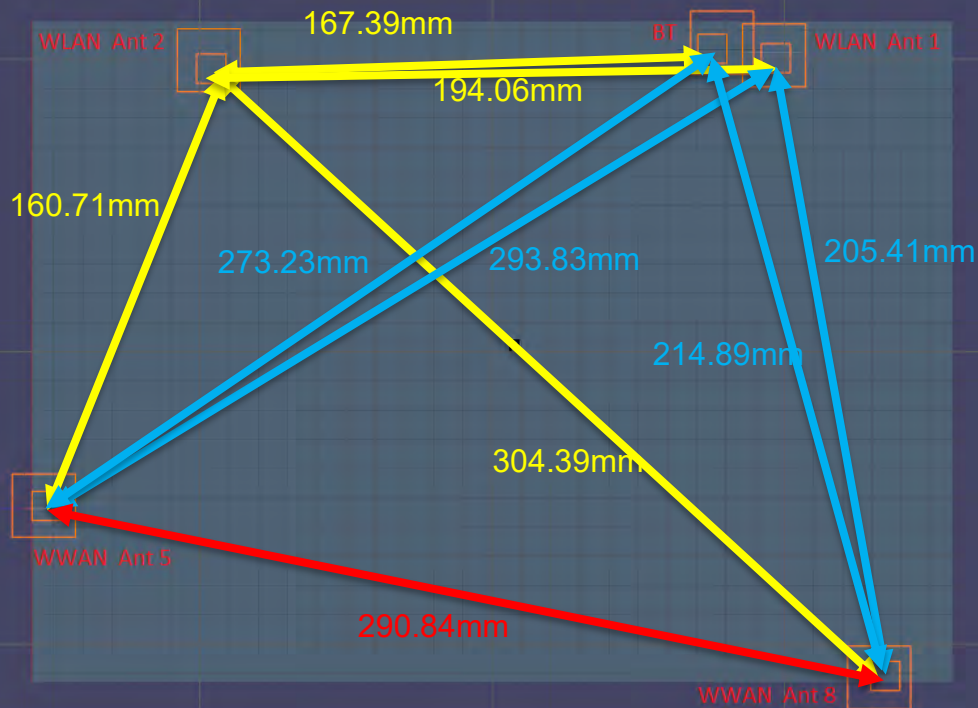


Unless otherwise stated the results shown in this test report refer only to the sample(s) tested and such sample(s) are retained for 90 days only.

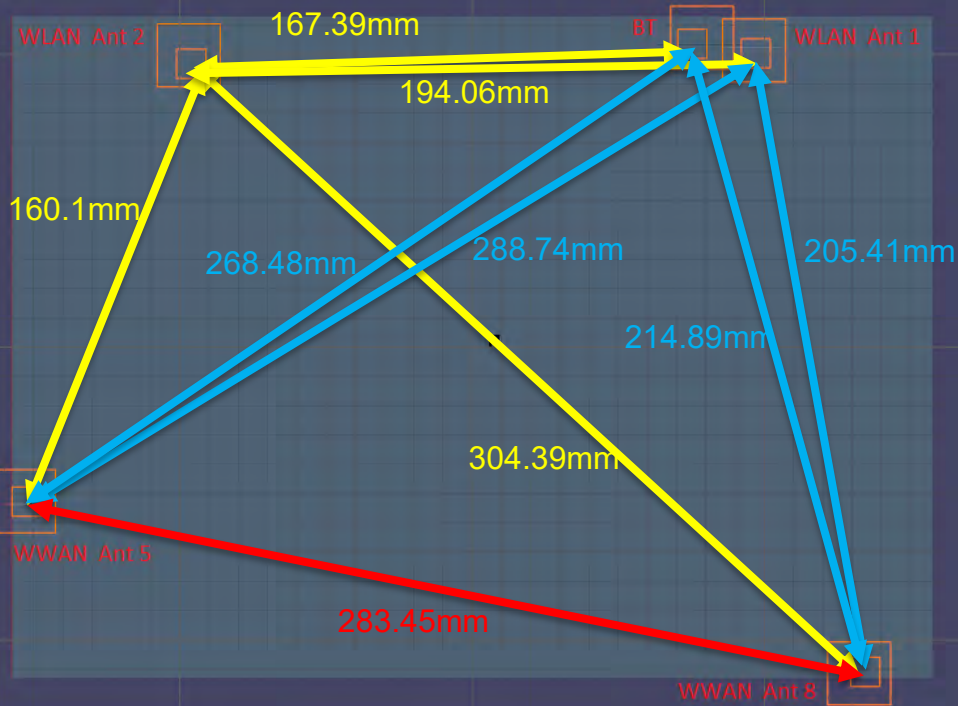
除非另有說明，此報告結果僅對測試之樣品負責，同時此樣品僅保留90天。本報告未經本公司書面許可，不可部份複製。

This document is issued by the Company subject to its General Conditions of Service printed overleaf, available on request or accessible at <http://www.sgs.com.tw/Terms-and-Conditions> and for electronic format documents, subject to Terms and Conditions for Electronic Documents at <http://www.sgs.com.tw/Terms-and-Conditions>. Attention is drawn to the limitation of liability, indemnification and jurisdiction issues defined therein. Any holder of this document is advised that information contained hereon reflects the Company's findings at the time of its intervention only and within the limits of Client's instructions, if any. The Company's sole responsibility is to its Client and this document does not exonerate parties to a transaction from exercising all their rights and obligations under the transaction documents. This document cannot be reproduced except in full, without prior written approval of the Company. Any unauthorized alteration, forgery or falsification of the content or appearance of this document is unlawful and offenders may be prosecuted to the fullest extent of the law.

LTE Band 66_Ant 5+ NR n77 & n78_FCC_Ant 8 + 5GHz WLAN Ant 2+5GHz WLAN Ant 1+ Bluetooth Ant 1



LTE Band 38_Ant 5+ NR n77 & n78_FCC_Ant 8 + 5GHz WLAN Ant 2+5GHz WLAN Ant 1+ Bluetooth Ant 1

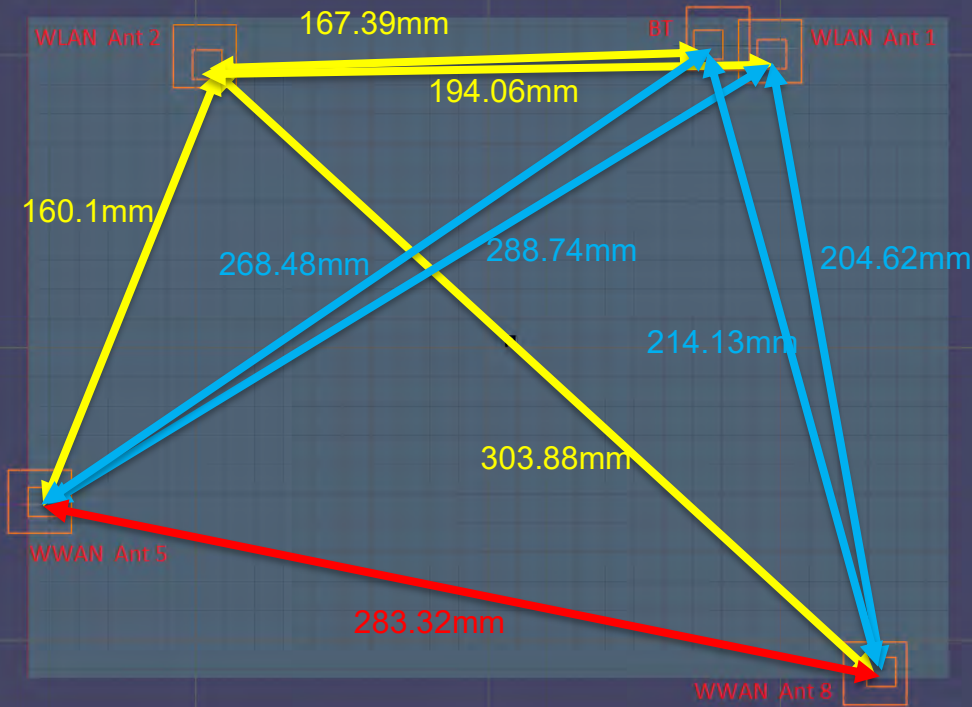


Unless otherwise stated the results shown in this test report refer only to the sample(s) tested and such sample(s) are retained for 90 days only.

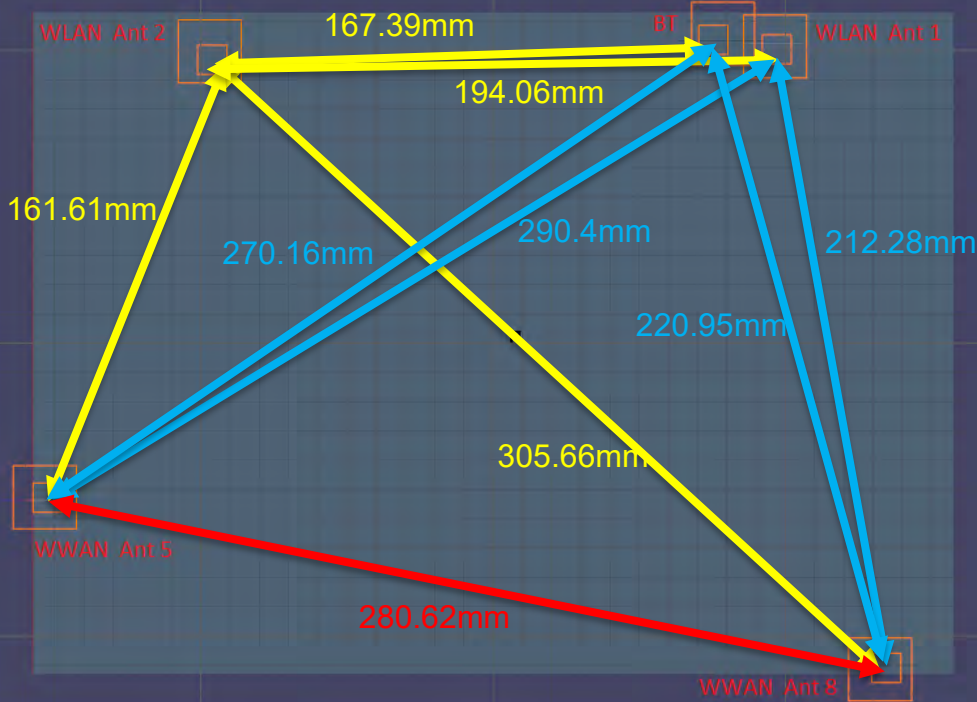
除非另有說明，此報告結果僅對測試之樣品負責，同時此樣品僅保留90天。本報告未經本公司書面許可，不可部份複製。

This document is issued by the Company subject to its General Conditions of Service printed overleaf, available on request or accessible at <http://www.sgs.com.tw/Terms-and-Conditions> and for electronic format documents, subject to Terms and Conditions for Electronic Documents at <http://www.sgs.com.tw/Terms-and-Conditions>. Attention is drawn to the limitation of liability, indemnification and jurisdiction issues defined therein. Any holder of this document is advised that information contained herein reflects the Company's findings at the time of its intervention only and within the limits of Client's instructions, if any. The Company's sole responsibility is to its Client and this document does not exonerate parties to a transaction from exercising all their rights and obligations under the transaction documents. This document cannot be reproduced except in full, without prior written approval of the Company. Any unauthorized alteration, forgery or falsification of the content or appearance of this document is unlawful and offenders may be prosecuted to the fullest extent of the law.

LTE Band 38_Ant 5+ NR n78_FCC_Ant 8 + 5GHz WLAN Ant 2+5GHz
WLAN Ant 1+ Bluetooth Ant 1



LTE Band 41_Ant 5+ NR n41_Ant 8 + 5GHz WLAN Ant 2+5GHz WLAN Ant 1+ Bluetooth Ant 1

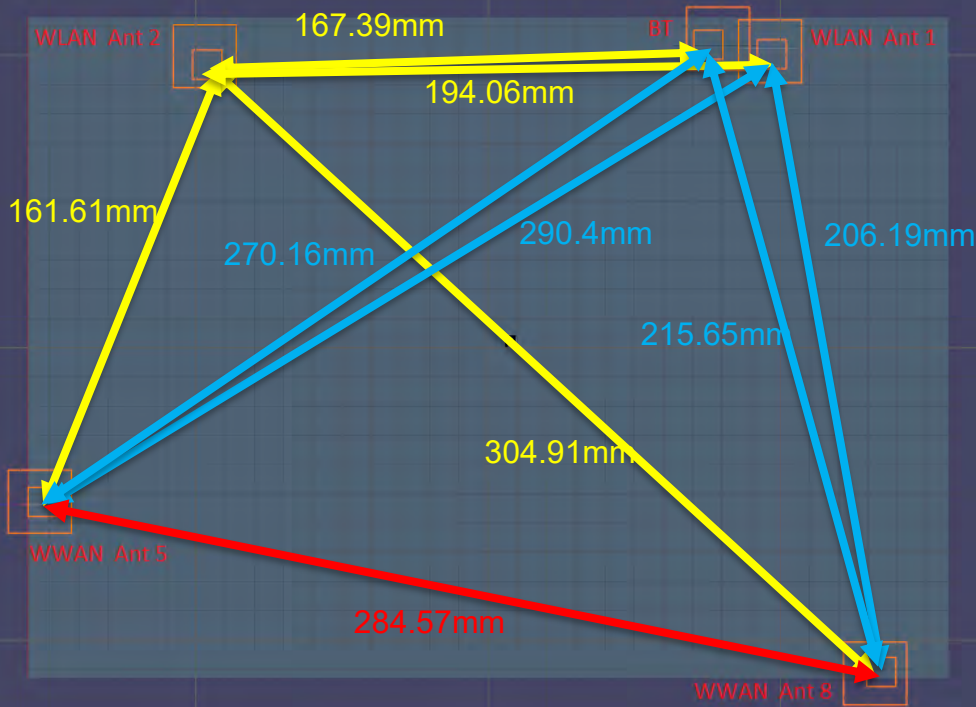


Unless otherwise stated the results shown in this test report refer only to the sample(s) tested and such sample(s) are retained for 90 days only.

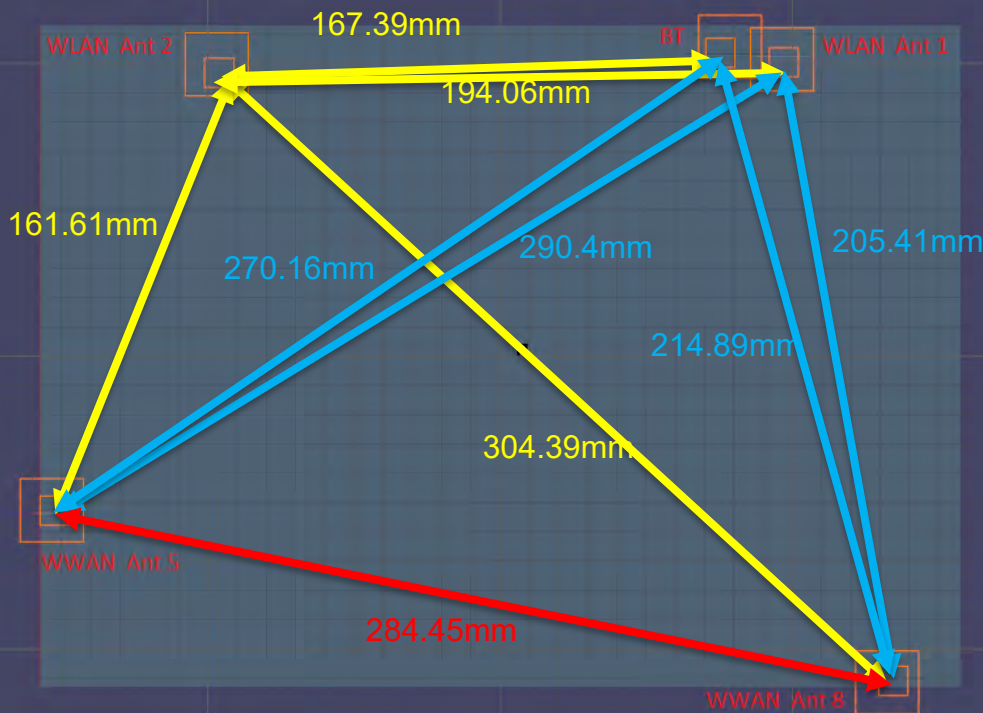
除非另有說明，此報告結果僅對測試之樣品負責，同時此樣品僅保留90天。本報告未經本公司書面許可，不可部份複製。

This document is issued by the Company subject to its General Conditions of Service printed overleaf, available on request or accessible at <http://www.sgs.com.tw/Terms-and-Conditions> and for electronic format documents, subject to Terms and Conditions for Electronic Documents at <http://www.sgs.com.tw/Terms-and-Conditions>. Attention is drawn to the limitation of liability, indemnification and jurisdiction issues defined therein. Any holder of this document is advised that information contained herein reflects the Company's findings at the time of its intervention only and within the limits of Client's instructions, if any. The Company's sole responsibility is to its Client and this document does not exonerate parties to a transaction from exercising all their rights and obligations under the transaction documents. This document cannot be reproduced except in full, without prior written approval of the Company. Any unauthorized alteration, forgery or falsification of the content or appearance of this document is unlawful and offenders may be prosecuted to the fullest extent of the law.

LTE Band 41_Ant 5+ NR n77_FCC_Ant 8 + 5GHz WLAN Ant 2+5GHz
WLAN Ant 1+ Bluetooth Ant 1



LTE Band 41_Ant 5+ NR n77 & n78_FCC_Ant 8 + 5GHz WLAN Ant
2+5GHz WLAN Ant 1+ Bluetooth Ant 1

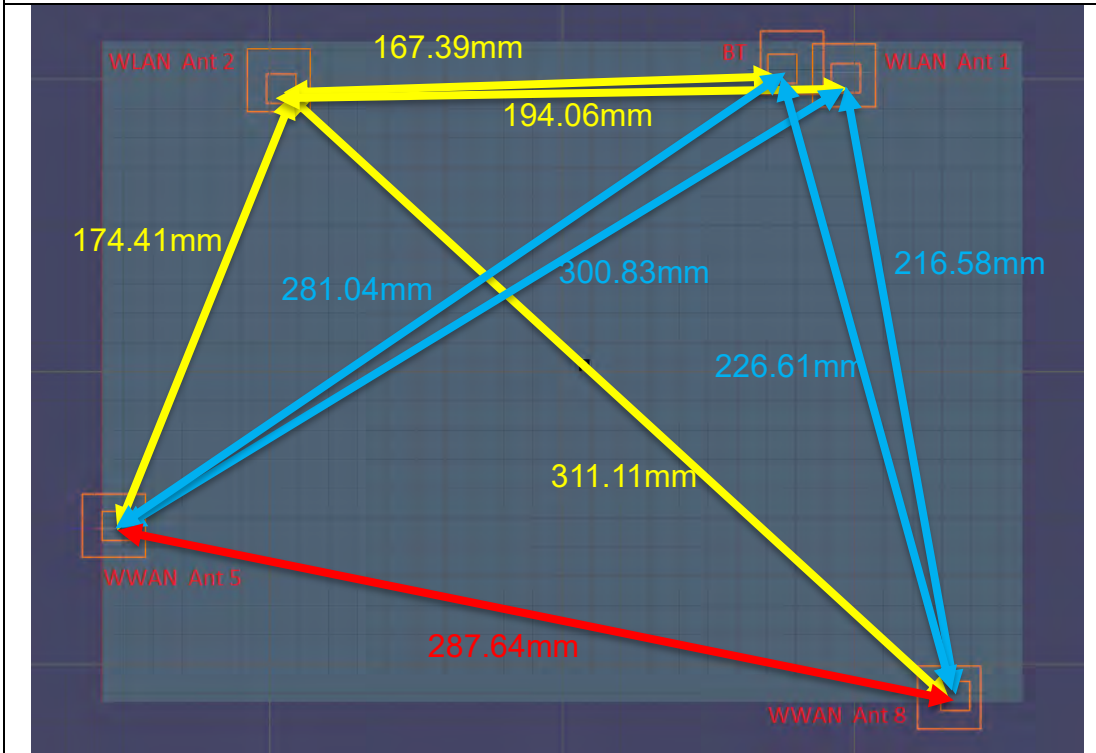


Unless otherwise stated the results shown in this test report refer only to the sample(s) tested and such sample(s) are retained for 90 days only.

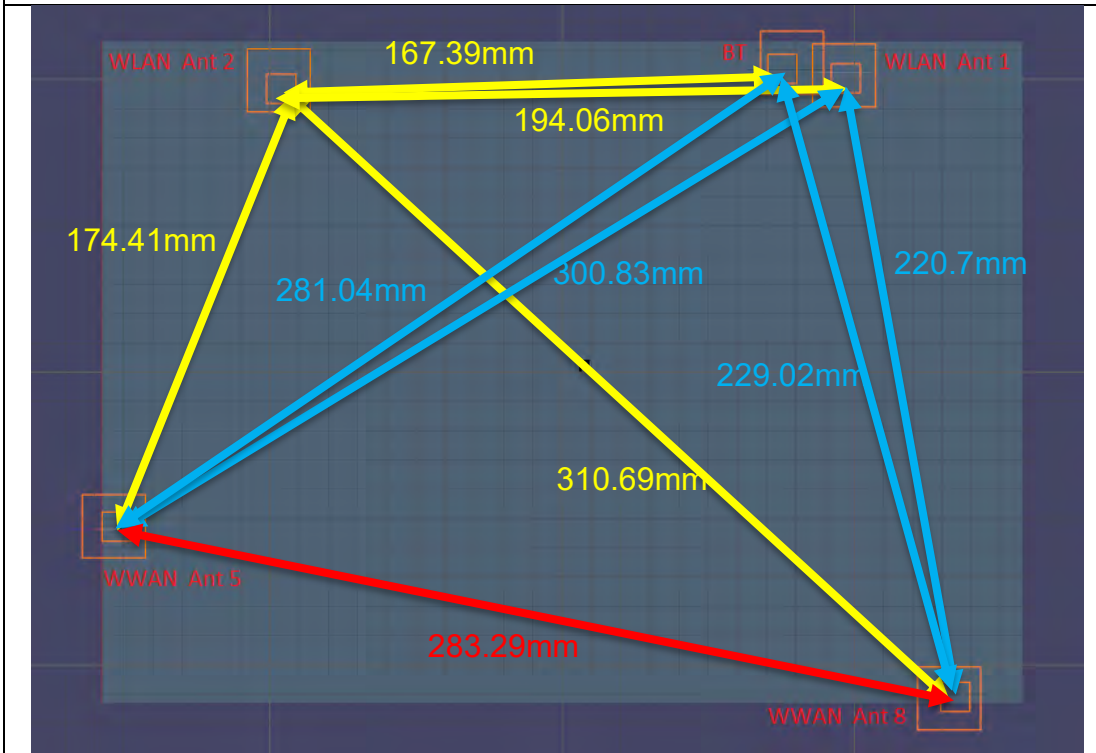
除非另有說明，此報告結果僅對測試之樣品負責，同時此樣品僅保留90天。本報告未經本公司書面許可，不可部份複製。

This document is issued by the Company subject to its General Conditions of Service printed overleaf, available on request or accessible at <http://www.sgs.com.tw/Terms-and-Conditions> and for electronic format documents, subject to Terms and Conditions for Electronic Documents at <http://www.sgs.com.tw/Terms-and-Conditions>. Attention is drawn to the limitation of liability, indemnification and jurisdiction issues defined therein. Any holder of this document is advised that information contained hereon reflects the Company's findings at the time of its intervention only and within the limits of Client's instructions, if any. The Company's sole responsibility is to its Client and this document does not exonerate parties to a transaction from exercising all their rights and obligations under the transaction documents. This document cannot be reproduced except in full, without prior written approval of the Company. Any unauthorized alteration, forgery or falsification of the content or appearance of this document is unlawful and offenders may be prosecuted to the fullest extent of the law.

NR n5_Ant 5+ LTE Band 2_Ant 8 + 5GHz WLAN Ant 2+5GHz WLAN Ant 1+ Bluetooth Ant 1



NR n5_Ant 5+ LTE Band 7_Ant 8 + 5GHz WLAN Ant 2+5GHz WLAN Ant 1+ Bluetooth Ant 1

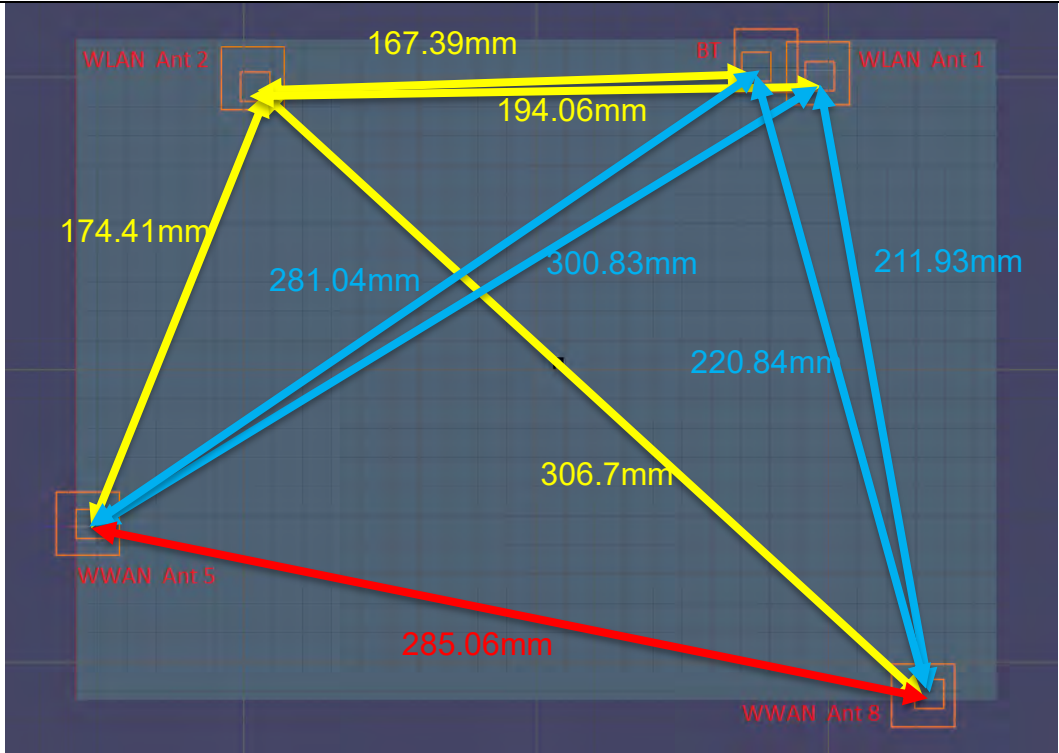


Unless otherwise stated the results shown in this test report refer only to the sample(s) tested and such sample(s) are retained for 90 days only.

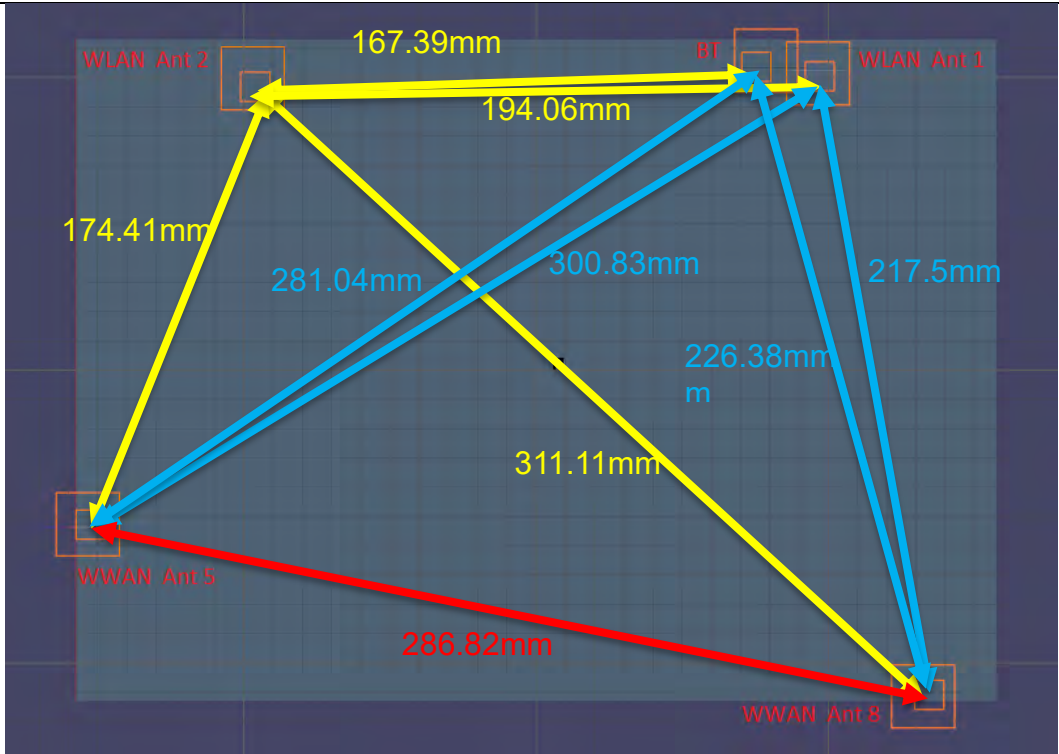
除非另有說明，此報告結果僅對測試之樣品負責，同時此樣品僅保留90天。本報告未經本公司書面許可，不可部份複製。

This document is issued by the Company subject to its General Conditions of Service printed overleaf, available on request or accessible at <http://www.sgs.com.tw/Terms-and-Conditions> and for electronic format documents, subject to Terms and Conditions for Electronic Documents at <http://www.sgs.com.tw/Terms-and-Conditions>. Attention is drawn to the limitation of liability, indemnification and jurisdiction issues defined therein. Any holder of this document is advised that information contained hereon reflects the Company's findings at the time of its intervention only and within the limits of Client's instructions, if any. The Company's sole responsibility is to its Client and this document does not exonerate parties to a transaction from exercising all their rights and obligations under the transaction documents. This document cannot be reproduced except in full, without prior written approval of the Company. Any unauthorized alteration, forgery or falsification of the content or appearance of this document is unlawful and offenders may be prosecuted to the fullest extent of the law.

NR n5_Ant 5+ LTE Band 30_Ant 8 + 5GHz WLAN Ant 2+5GHz WLAN Ant 1+ Bluetooth Ant 1



NR n5_Ant 5+ LTE Band 66_Ant 8 + 5GHz WLAN Ant 2+5GHz WLAN Ant 1+ Bluetooth Ant 1

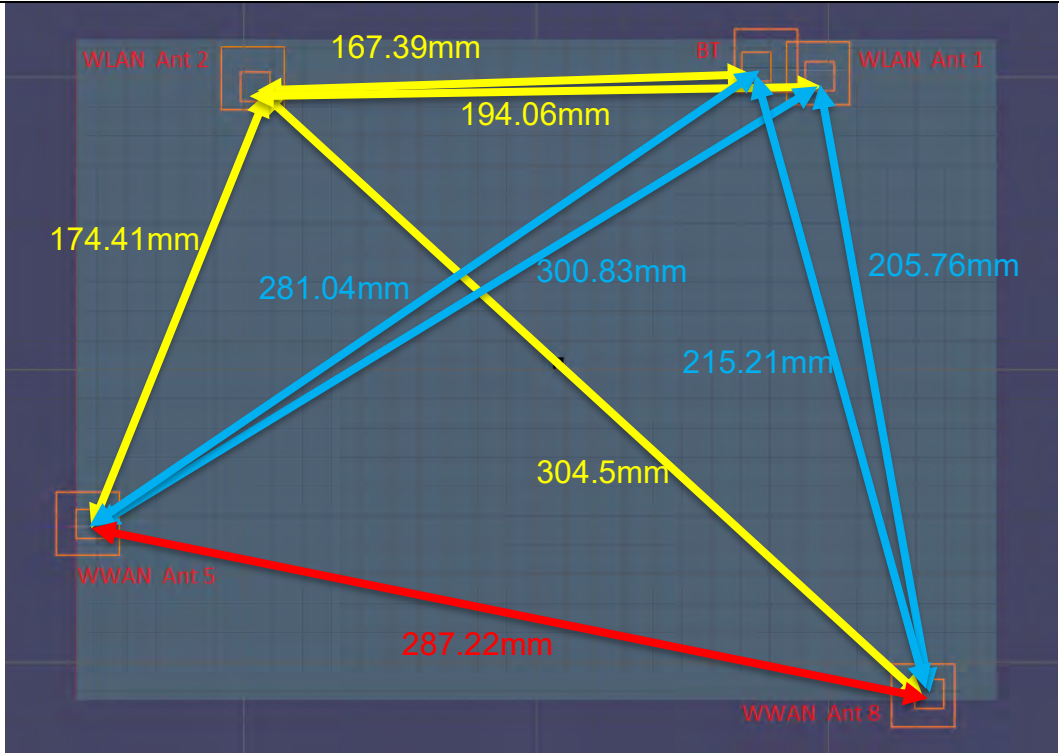


Unless otherwise stated the results shown in this test report refer only to the sample(s) tested and such sample(s) are retained for 90 days only.

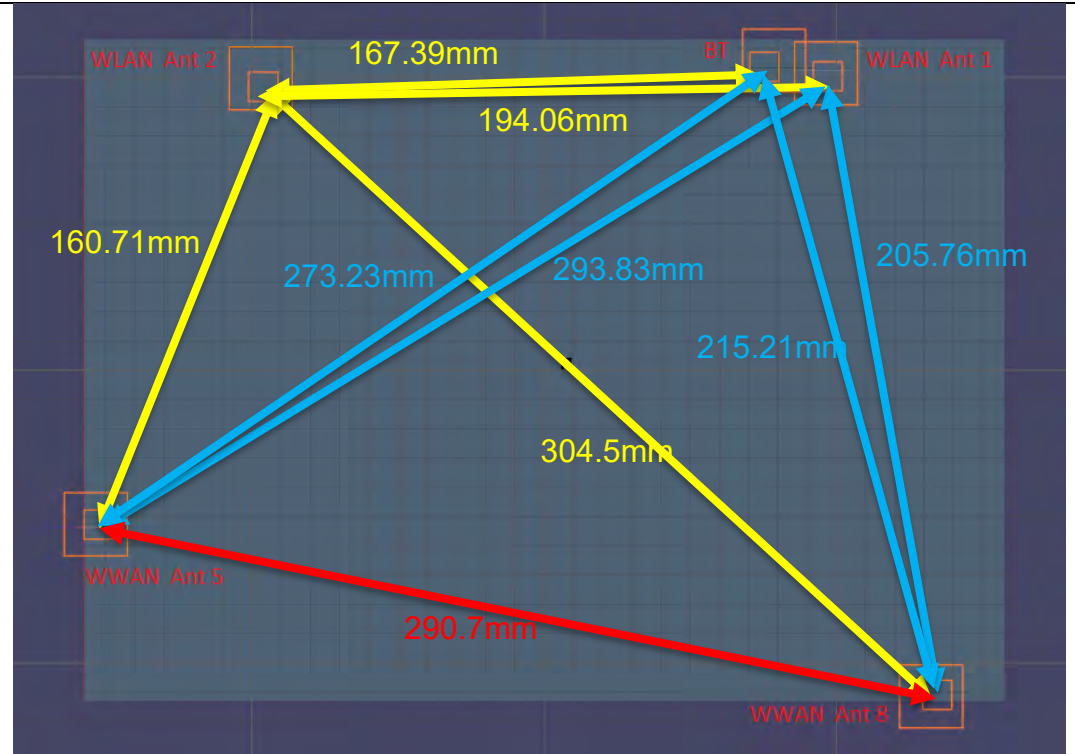
除非另有說明，此報告結果僅對測試之樣品負責，同時此樣品僅保留90天。本報告未經本公司書面許可，不可部份複製。

This document is issued by the Company subject to its General Conditions of Service printed overleaf, available on request or accessible at <http://www.sgs.com.tw/Terms-and-Conditions> and for electronic format documents, subject to Terms and Conditions for Electronic Documents at <http://www.sgs.com.tw/Terms-and-Conditions>. Attention is drawn to the limitation of liability, indemnification and jurisdiction issues defined therein. Any holder of this document is advised that information contained herein reflects the Company's findings at the time of its intervention only and within the limits of Client's instructions, if any. The Company's sole responsibility is to its Client and this document does not exonerate parties to a transaction from exercising all their rights and obligations under the transaction documents. This document cannot be reproduced except in full, without prior written approval of the Company. Any unauthorized alteration, forgery or falsification of the content or appearance of this document is unlawful and offenders may be prosecuted to the fullest extent of the law.

NR n5_Ant 5+ LTE Band 48_Ant 8 + 5GHz WLAN Ant 2+5GHz WLAN Ant 1+ Bluetooth Ant 1



NR n66_Ant 5+ LTE Band 48_Ant 8 + 5GHz WLAN Ant 2+5GHz WLAN Ant 1+ Bluetooth Ant 1

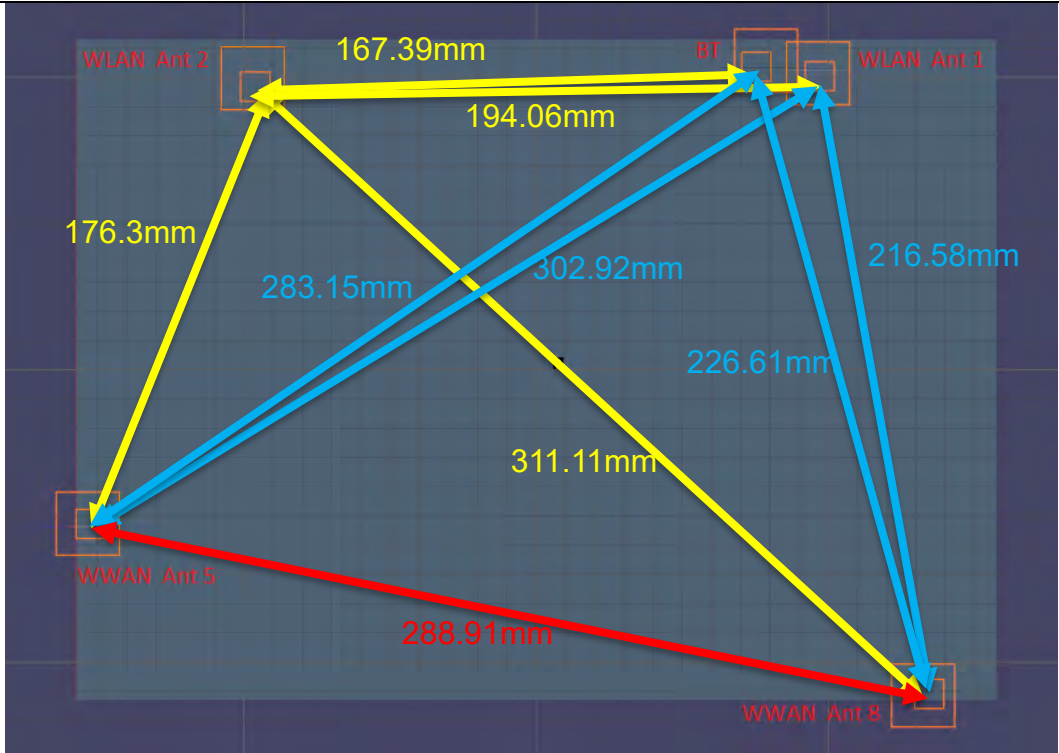


Unless otherwise stated the results shown in this test report refer only to the sample(s) tested and such sample(s) are retained for 90 days only.

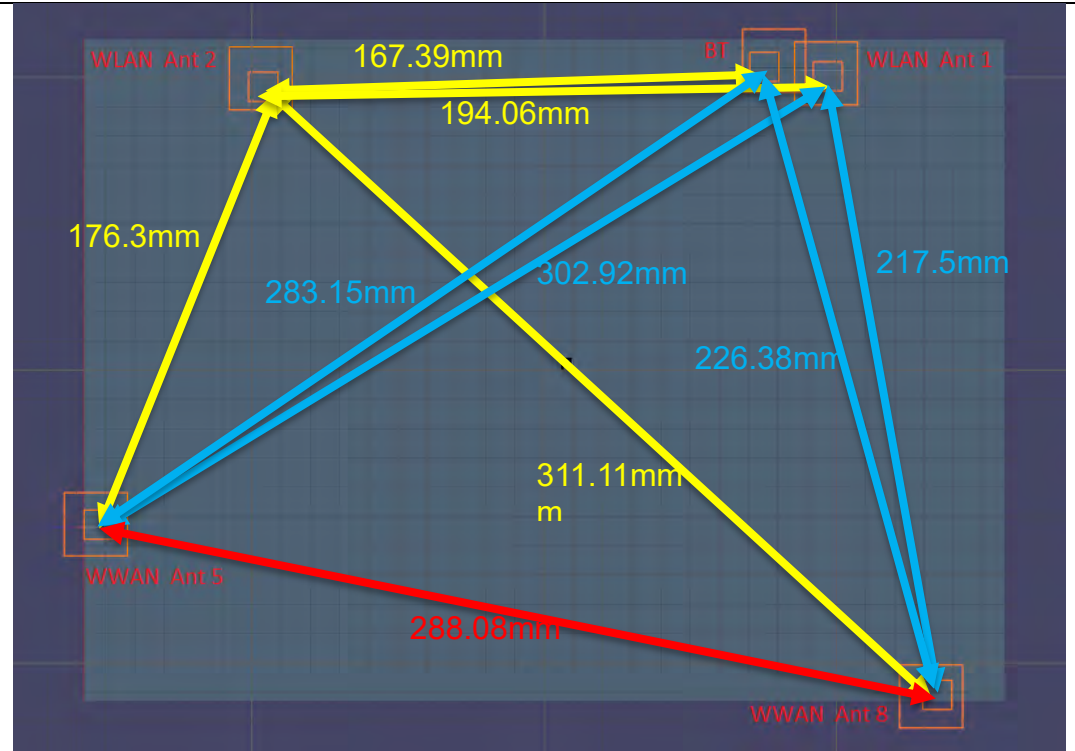
除非另有說明，此報告結果僅對測試之樣品負責，同時此樣品僅保留90天。本報告未經本公司書面許可，不可部份複製。

This document is issued by the Company subject to its General Conditions of Service printed overleaf, available on request or accessible at <http://www.sgs.com.tw/Terms-and-Conditions> and for electronic format documents, subject to Terms and Conditions for Electronic Documents at <http://www.sgs.com.tw/Terms-and-Conditions>. Attention is drawn to the limitation of liability, indemnification and jurisdiction issues defined therein. Any holder of this document is advised that information contained herein reflects the Company's findings at the time of its intervention only and within the limits of Client's instructions, if any. The Company's sole responsibility is to its Client and this document does not exonerate parties to a transaction from exercising all their rights and obligations under the transaction documents. This document cannot be reproduced except in full, without prior written approval of the Company. Any unauthorized alteration, forgery or falsification of the content or appearance of this document is unlawful and offenders may be prosecuted to the fullest extent of the law.

NR n71_Ant 5+ LTE Band 2_Ant 8 + 5GHz WLAN Ant 2+5GHz WLAN Ant 1+ Bluetooth Ant 1



NR n71_Ant 5+ LTE Band 66_Ant 8 + 5GHz WLAN Ant 2+5GHz WLAN Ant 1+ Bluetooth Ant 1

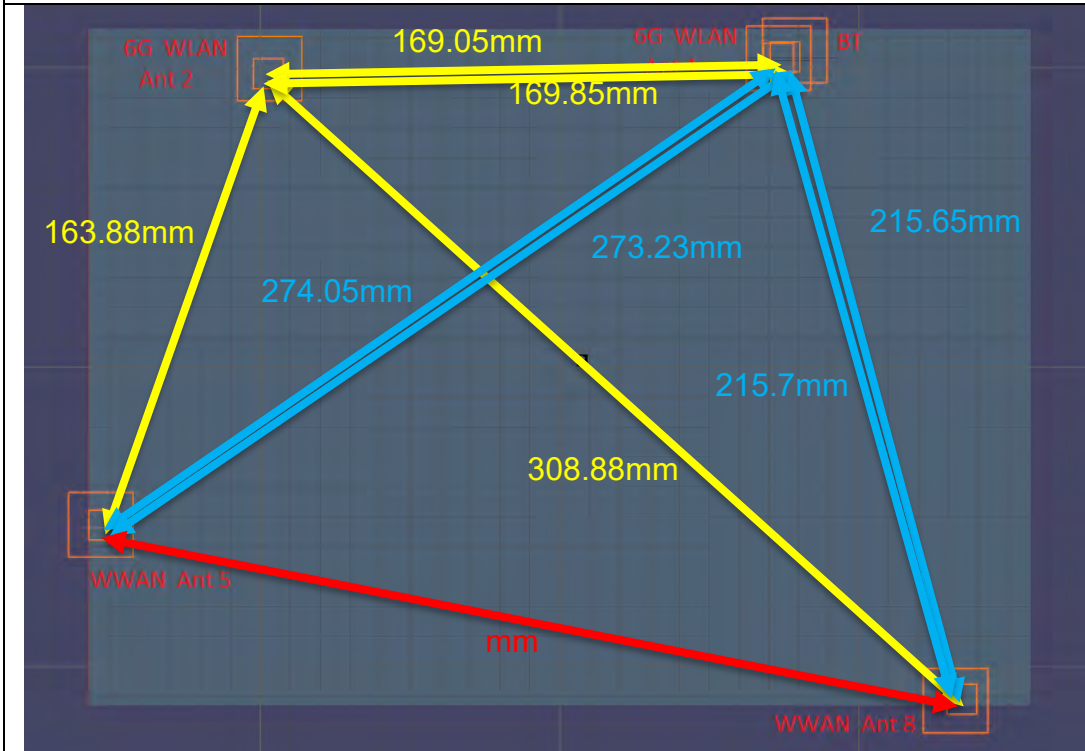


Unless otherwise stated the results shown in this test report refer only to the sample(s) tested and such sample(s) are retained for 90 days only.

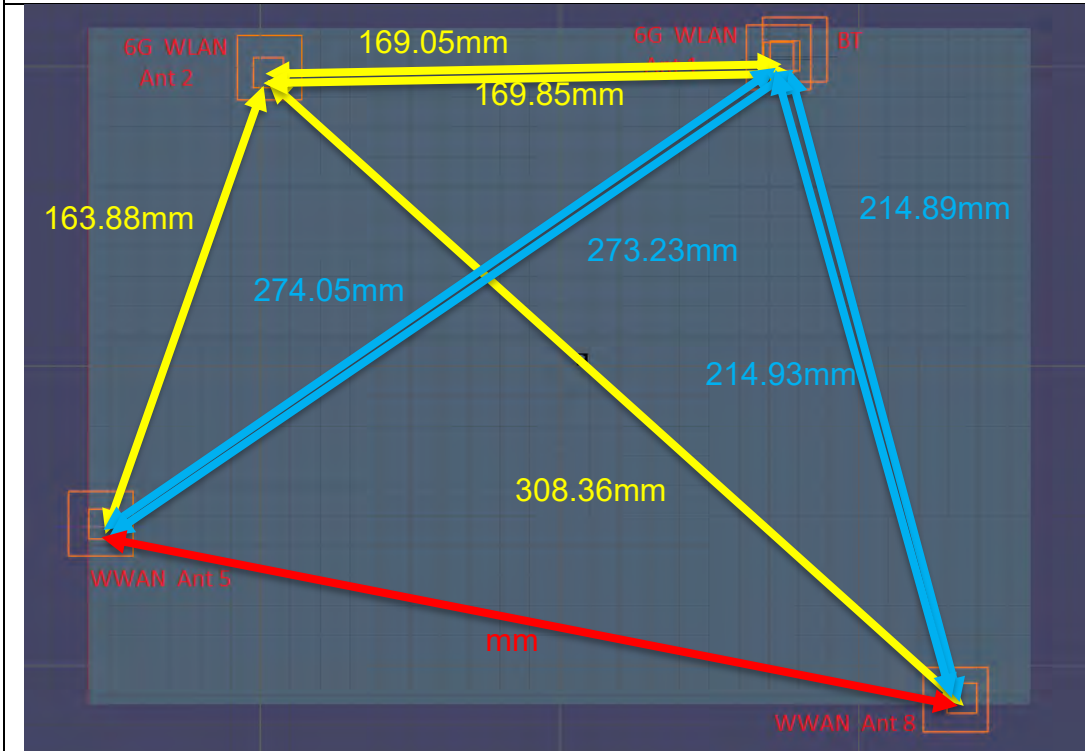
除非另有說明，此報告結果僅對測試之樣品負責，同時此樣品僅保留90天。本報告未經本公司書面許可，不可部份複製。

This document is issued by the Company subject to its General Conditions of Service printed overleaf, available on request or accessible at <http://www.sgs.com.tw/Terms-and-Conditions> and for electronic format documents, subject to Terms and Conditions for Electronic Documents at <http://www.sgs.com.tw/Terms-and-Conditions>. Attention is drawn to the limitation of liability, indemnification and jurisdiction issues defined therein. Any holder of this document is advised that information contained herein reflects the Company's findings at the time of its intervention only and within the limits of Client's instructions, if any. The Company's sole responsibility is to its Client and this document does not exonerate parties to a transaction from exercising all their rights and obligations under the transaction documents. This document cannot be reproduced except in full, without prior written approval of the Company. Any unauthorized alteration, forgery or falsification of the content or appearance of this document is unlawful and offenders may be prosecuted to the fullest extent of the law.

LTE Band 2_Ant 5+ NR n77_FCC_Ant 8 + 6GHz WLAN Ant 2+ 6GHz WLAN Ant 1+ Bluetooth Ant 1



LTE Band 2_Ant 5+ NR n77 & n78_FCC_Ant 8 + 6GHz WLAN Ant 2+ 6GHz WLAN Ant 1+ Bluetooth Ant 1

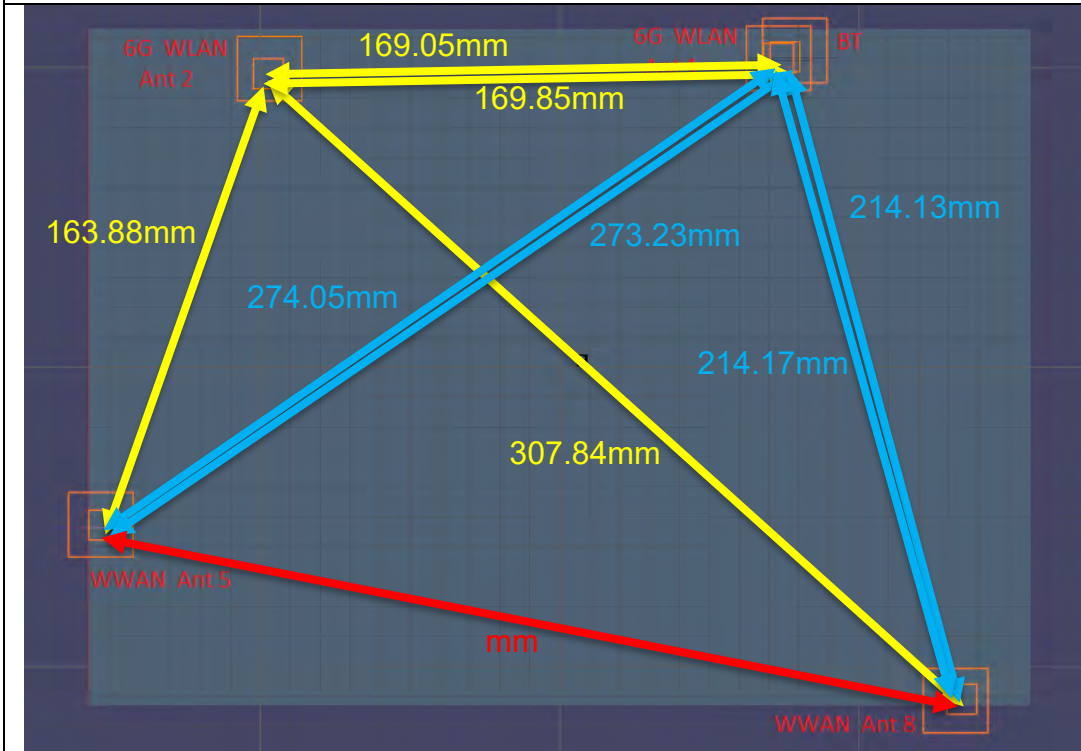


Unless otherwise stated the results shown in this test report refer only to the sample(s) tested and such sample(s) are retained for 90 days only.

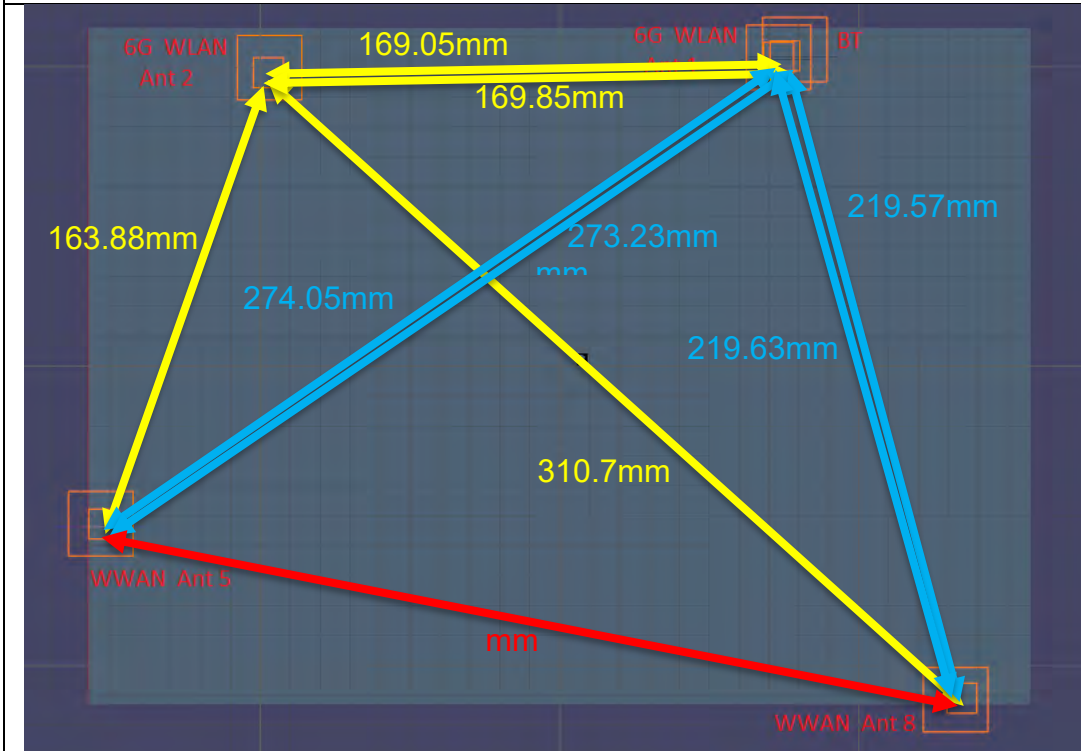
除非另有說明，此報告結果僅對測試之樣品負責，同時此樣品僅保留90天。本報告未經本公司書面許可，不可部份複製。

This document is issued by the Company subject to its General Conditions of Service printed overleaf, available on request or accessible at <http://www.sgs.com.tw/Terms-and-Conditions> and for electronic format documents, subject to Terms and Conditions for Electronic Documents at <http://www.sgs.com.tw/Terms-and-Conditions>. Attention is drawn to the limitation of liability, indemnification and jurisdiction issues defined therein. Any holder of this document is advised that information contained herein reflects the Company's findings at the time of its intervention only and within the limits of Client's instructions, if any. The Company's sole responsibility is to its Client and this document does not exonerate parties to a transaction from exercising all their rights and obligations under the transaction documents. This document cannot be reproduced except in full, without prior written approval of the Company. Any unauthorized alteration, forgery or falsification of the content or appearance of this document is unlawful and offenders may be prosecuted to the fullest extent of the law.

LTE Band 2_Ant 5+ NR n78_FCC_Ant 8 + 6GHz WLAN Ant 2+ 6GHz WLAN Ant 1+ Bluetooth Ant 1



LTE Band 2_Ant 5+ CA_41C_Ant 8 + 6GHz WLAN Ant 2+ 6GHz WLAN Ant 1+ Bluetooth Ant 1

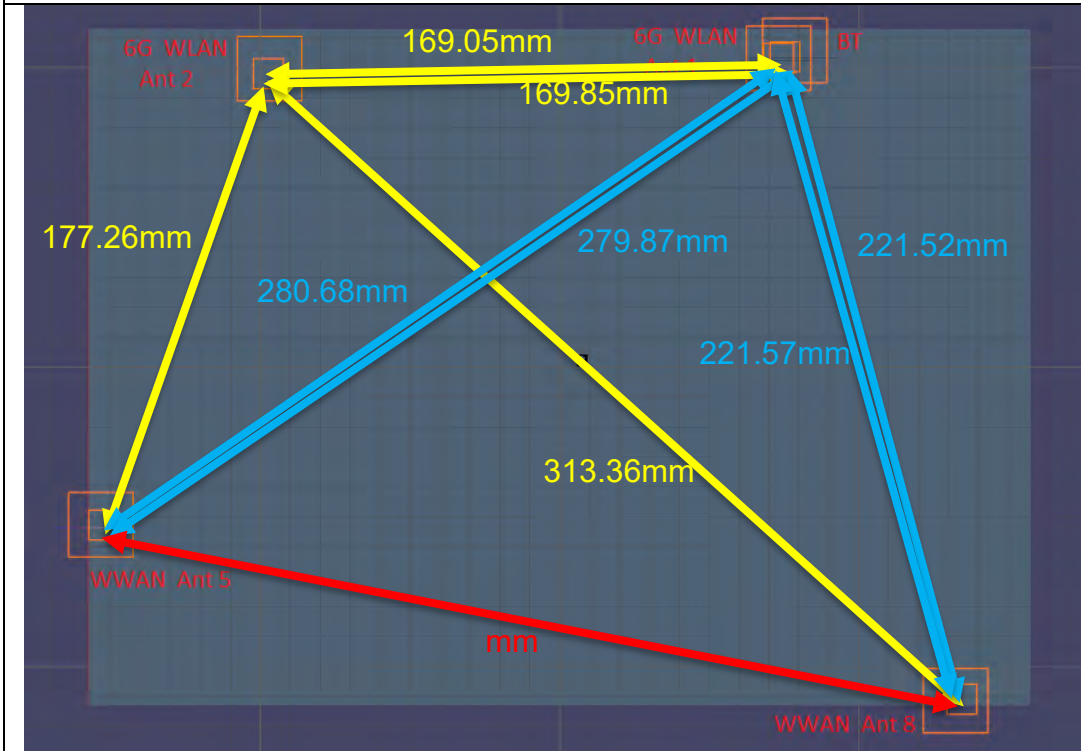


Unless otherwise stated the results shown in this test report refer only to the sample(s) tested and such sample(s) are retained for 90 days only.

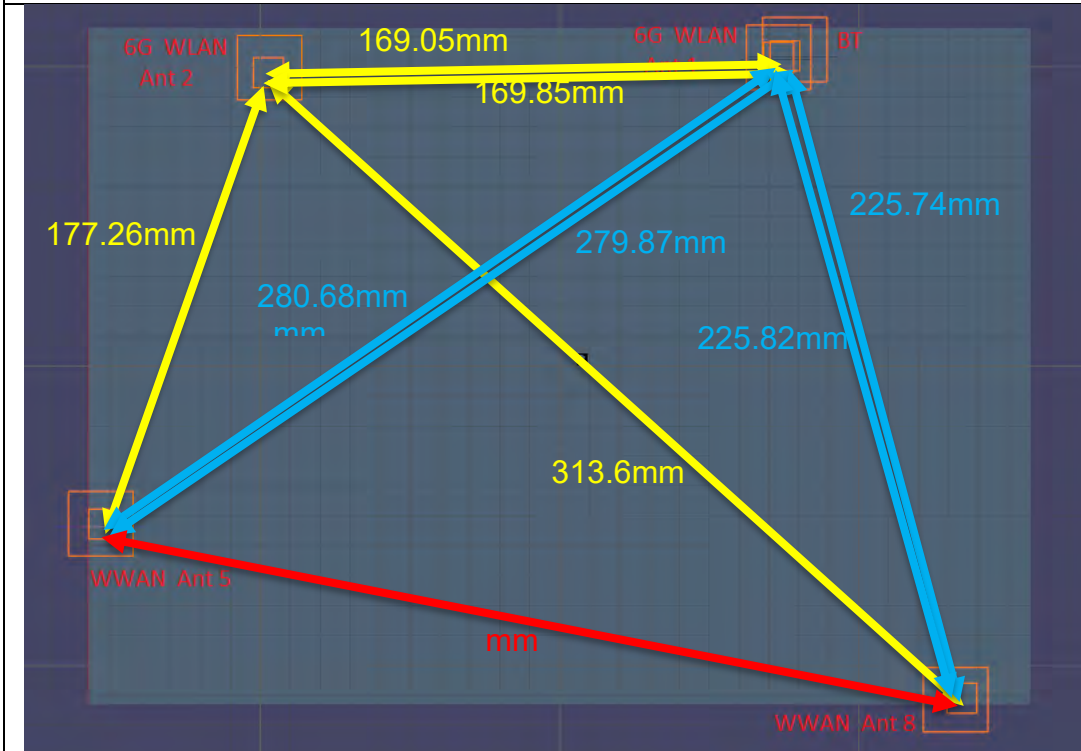
除非另有說明，此報告結果僅對測試之樣品負責，同時此樣品僅保留90天。本報告未經本公司書面許可，不可部份複製。

This document is issued by the Company subject to its General Conditions of Service printed overleaf, available on request or accessible at <http://www.sgs.com.tw/Terms-and-Conditions> and for electronic format documents, subject to Terms and Conditions for Electronic Documents at <http://www.sgs.com.tw/Terms-and-Conditions>. Attention is drawn to the limitation of liability, indemnification and jurisdiction issues defined therein. Any holder of this document is advised that information contained hereon reflects the Company's findings at the time of its intervention only and within the limits of Client's instructions, if any. The Company's sole responsibility is to its Client and this document does not exonerate parties to a transaction from exercising all their rights and obligations under the transaction documents. This document cannot be reproduced except in full, without prior written approval of the Company. Any unauthorized alteration, forgery or falsification of the content or appearance of this document is unlawful and offenders may be prosecuted to the fullest extent of the law.

LTE Band 5_Ant 5+ NR n2_Ant 8 + 6GHz WLAN Ant 2+ 6GHz WLAN Ant 1+ Bluetooth Ant 1



LTE Band 5_Ant 5+ NR n66_Ant 8 + 6GHz WLAN Ant 2+ 6GHz WLAN Ant 1+ Bluetooth Ant 1

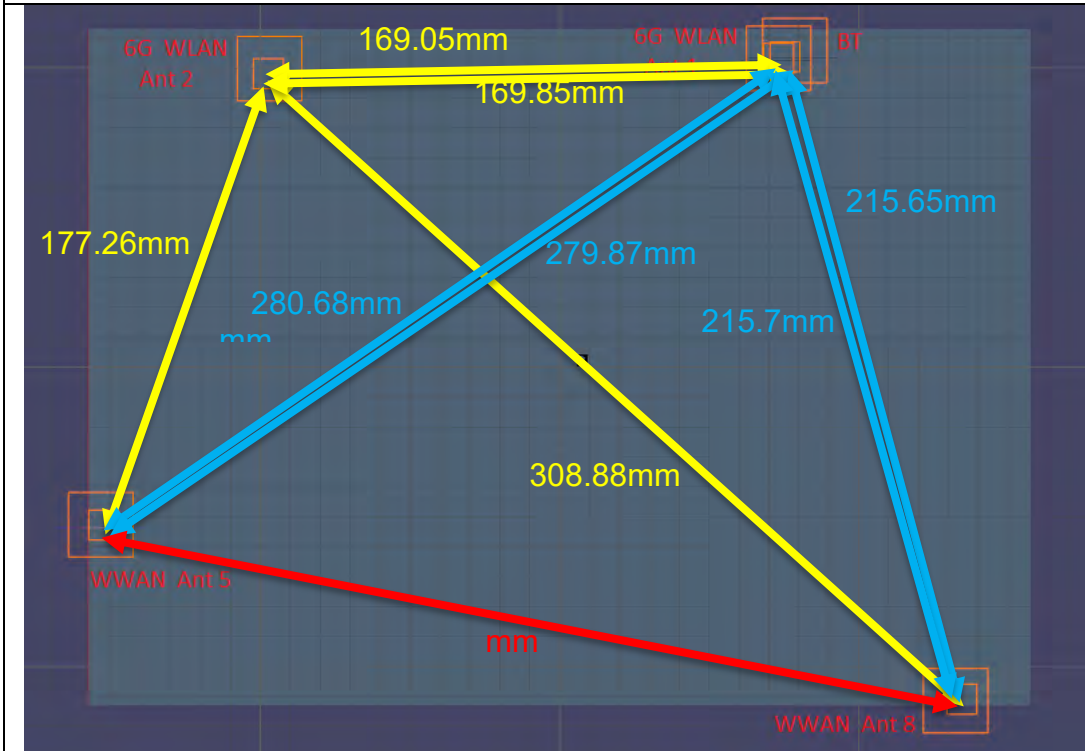


Unless otherwise stated the results shown in this test report refer only to the sample(s) tested and such sample(s) are retained for 90 days only.

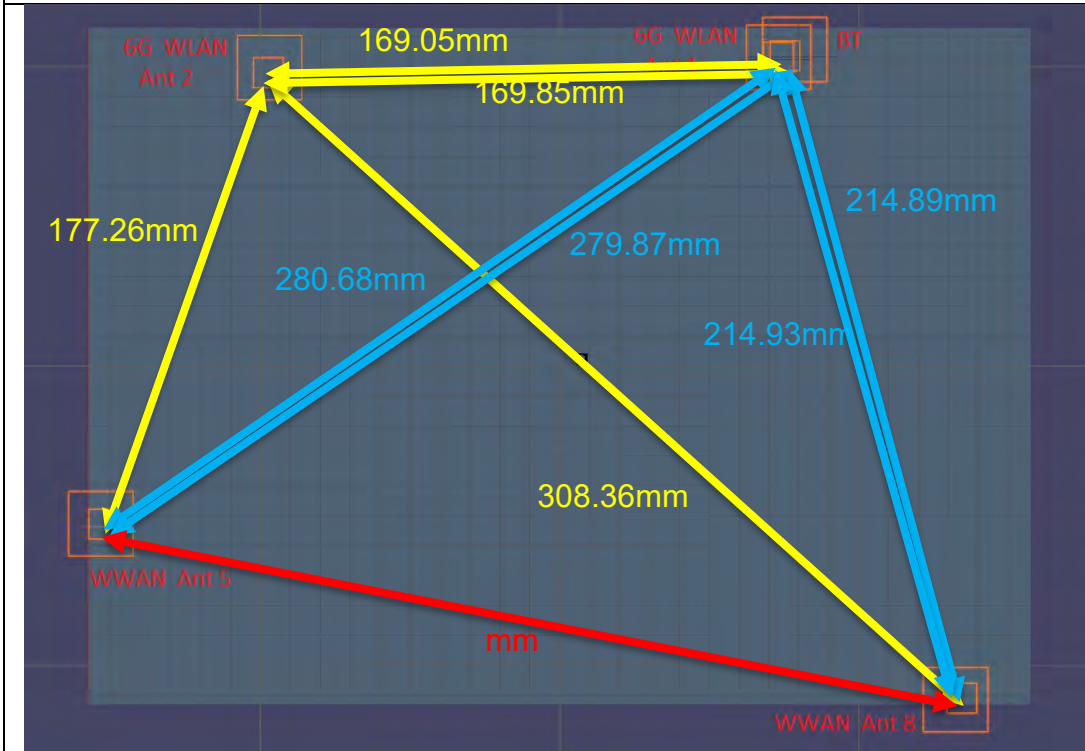
除非另有說明，此報告結果僅對測試之樣品負責，同時此樣品僅保留90天。本報告未經本公司書面許可，不可部份複製。

This document is issued by the Company subject to its General Conditions of Service printed overleaf, available on request or accessible at <http://www.sgs.com.tw/Terms-and-Conditions> and for electronic format documents, subject to Terms and Conditions for Electronic Documents at <http://www.sgs.com.tw/Terms-and-Conditions>. Attention is drawn to the limitation of liability, indemnification and jurisdiction issues defined therein. Any holder of this document is advised that information contained herein reflects the Company's findings at the time of its intervention only and within the limits of Client's instructions, if any. The Company's sole responsibility is to its Client and this document does not exonerate parties to a transaction from exercising all their rights and obligations under the transaction documents. This document cannot be reproduced except in full, without prior written approval of the Company. Any unauthorized alteration, forgery or falsification of the content or appearance of this document is unlawful and offenders may be prosecuted to the fullest extent of the law.

LTE Band 5_Ant 5+ NR n77_FCC_Ant 8 + 6GHz WLAN Ant 2+ 6GHz
WLAN Ant 1+ Bluetooth Ant 1



LTE Band 5_Ant 5+ NR n77 & n78_FCC_Ant 8 + 6GHz WLAN Ant 2+ 6GHz
WLAN Ant 1+ Bluetooth Ant 1

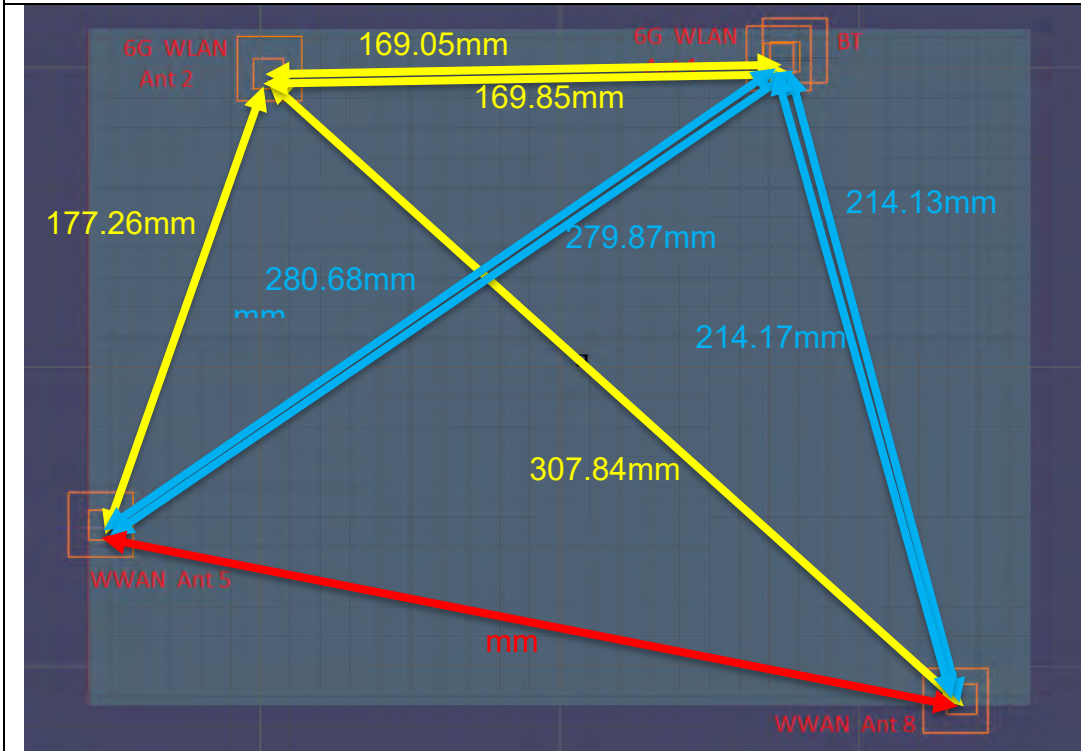


Unless otherwise stated the results shown in this test report refer only to the sample(s) tested and such sample(s) are retained for 90 days only.

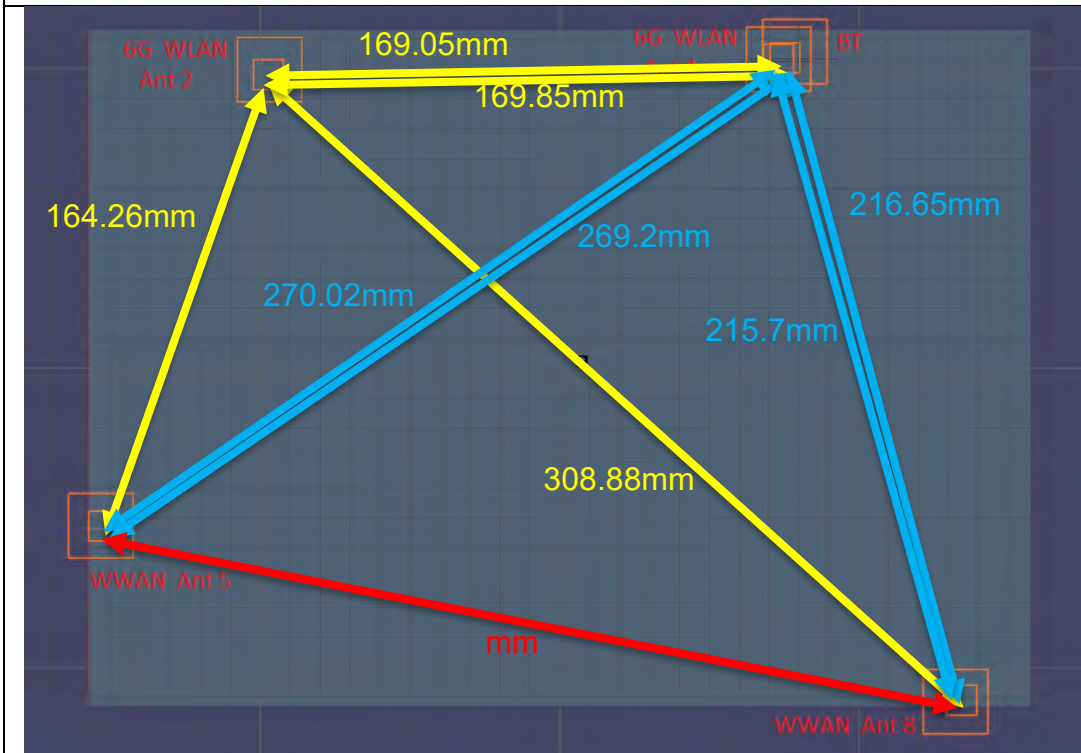
除非另有說明，此報告結果僅對測試之樣品負責，同時此樣品僅保留90天。本報告未經本公司書面許可，不可部份複製。

This document is issued by the Company subject to its General Conditions of Service printed overleaf, available on request or accessible at <http://www.sgs.com.tw/Terms-and-Conditions> and for electronic format documents, subject to Terms and Conditions for Electronic Documents at <http://www.sgs.com.tw/Terms-and-Conditions>. Attention is drawn to the limitation of liability, indemnification and jurisdiction issues defined therein. Any holder of this document is advised that information contained herein reflects the Company's findings at the time of its intervention only and within the limits of Client's instructions, if any. The Company's sole responsibility is to its Client and this document does not exonerate parties to a transaction from exercising all their rights and obligations under the transaction documents. This document cannot be reproduced except in full, without prior written approval of the Company. Any unauthorized alteration, forgery or falsification of the content or appearance of this document is unlawful and offenders may be prosecuted to the fullest extent of the law.

LTE Band 5_Ant 5+ NR n78_FCC_Ant 8 + 6GHz WLAN Ant 2+ 6GHz
WLAN Ant 1+ Bluetooth Ant 1



LTE Band 7_Ant 5+ NR n77_FCC_Ant 8 + 6GHz WLAN Ant 2+ 6GHz
WLAN Ant 1+ Bluetooth Ant 1

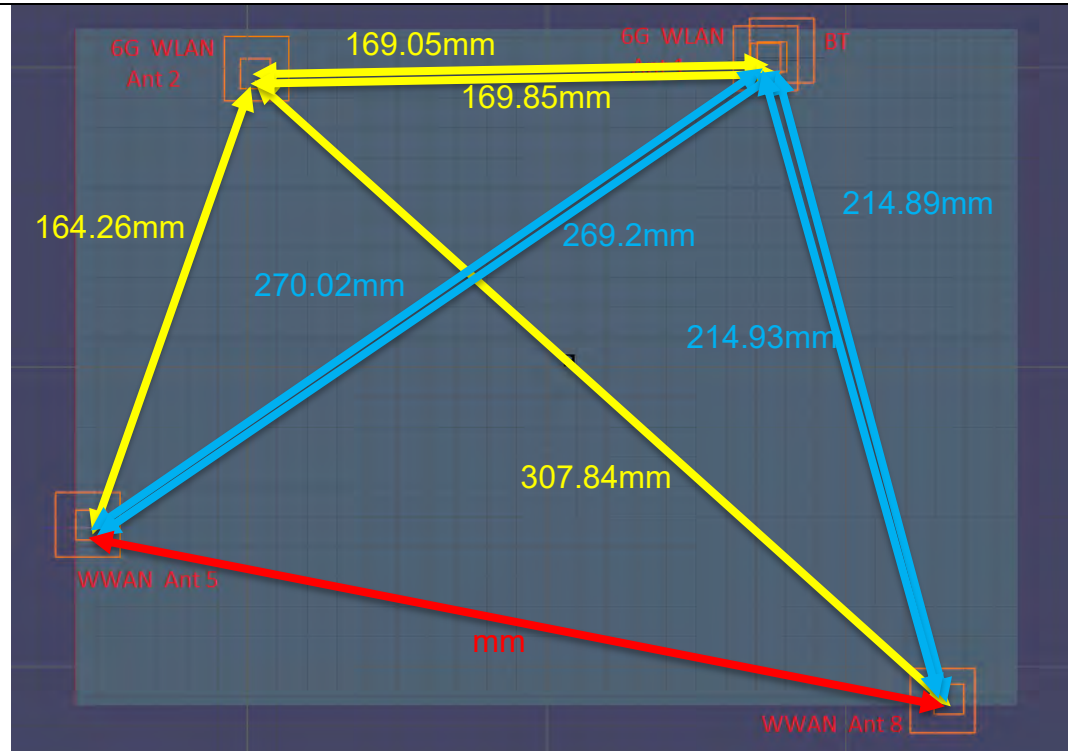


Unless otherwise stated the results shown in this test report refer only to the sample(s) tested and such sample(s) are retained for 90 days only.

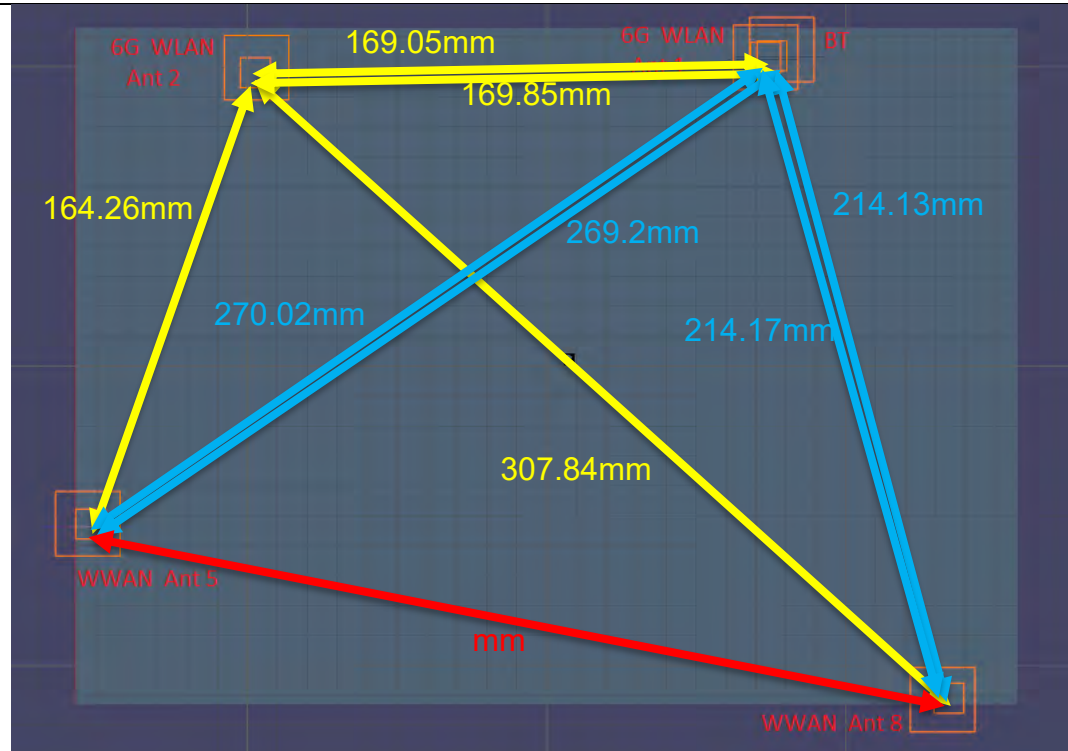
除非另有說明，此報告結果僅對測試之樣品負責，同時此樣品僅保留90天。本報告未經本公司書面許可，不可部份複製。

This document is issued by the Company subject to its General Conditions of Service printed overleaf, available on request or accessible at <http://www.sgs.com.tw/Terms-and-Conditions> and for electronic format documents, subject to Terms and Conditions for Electronic Documents at <http://www.sgs.com.tw/Terms-and-Conditions>. Attention is drawn to the limitation of liability, indemnification and jurisdiction issues defined therein. Any holder of this document is advised that information contained herein reflects the Company's findings at the time of its intervention only and within the limits of Client's instructions, if any. The Company's sole responsibility is to its Client and this document does not exonerate parties to a transaction from exercising all their rights and obligations under the transaction documents. This document cannot be reproduced except in full, without prior written approval of the Company. Any unauthorized alteration, forgery or falsification of the content or appearance of this document is unlawful and offenders may be prosecuted to the fullest extent of the law.

LTE Band 7_Ant 5+ NR n77 & n78_FCC_Ant 8 + 6GHz WLAN Ant 2+ 6GHz WLAN Ant 1+ Bluetooth Ant 1



LTE Band 7_Ant 5+ NR n78_FCC_Ant 8 + 6GHz WLAN Ant 2+ 6GHz WLAN Ant 1+ Bluetooth Ant 1

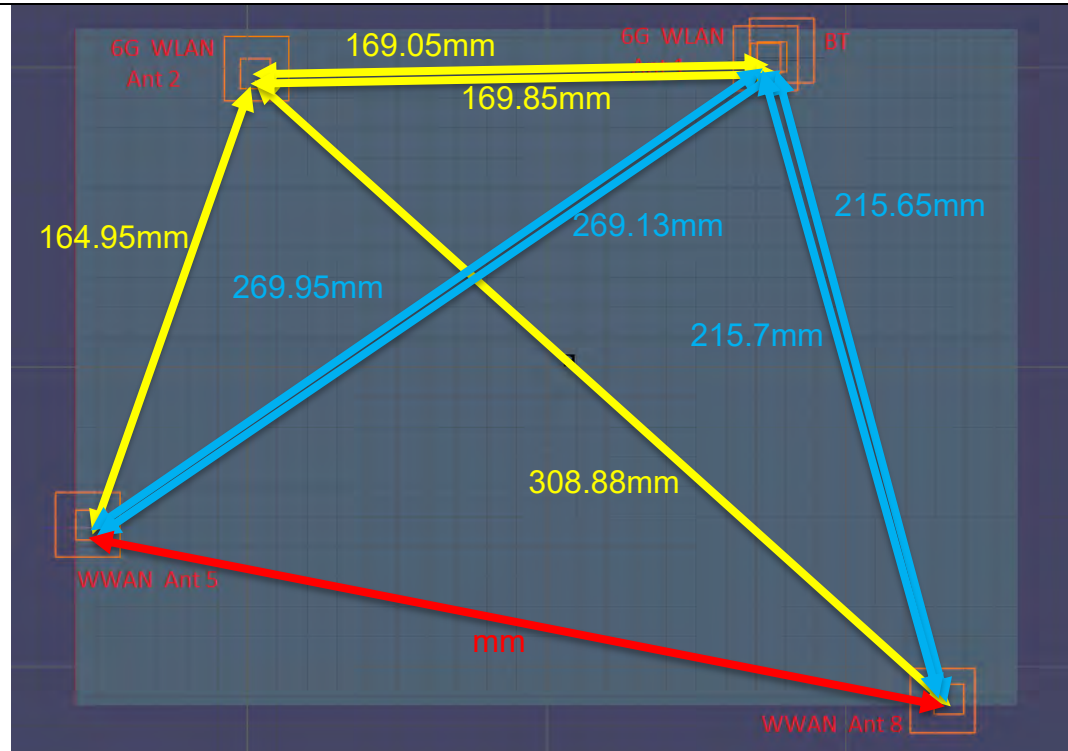


Unless otherwise stated the results shown in this test report refer only to the sample(s) tested and such sample(s) are retained for 90 days only.

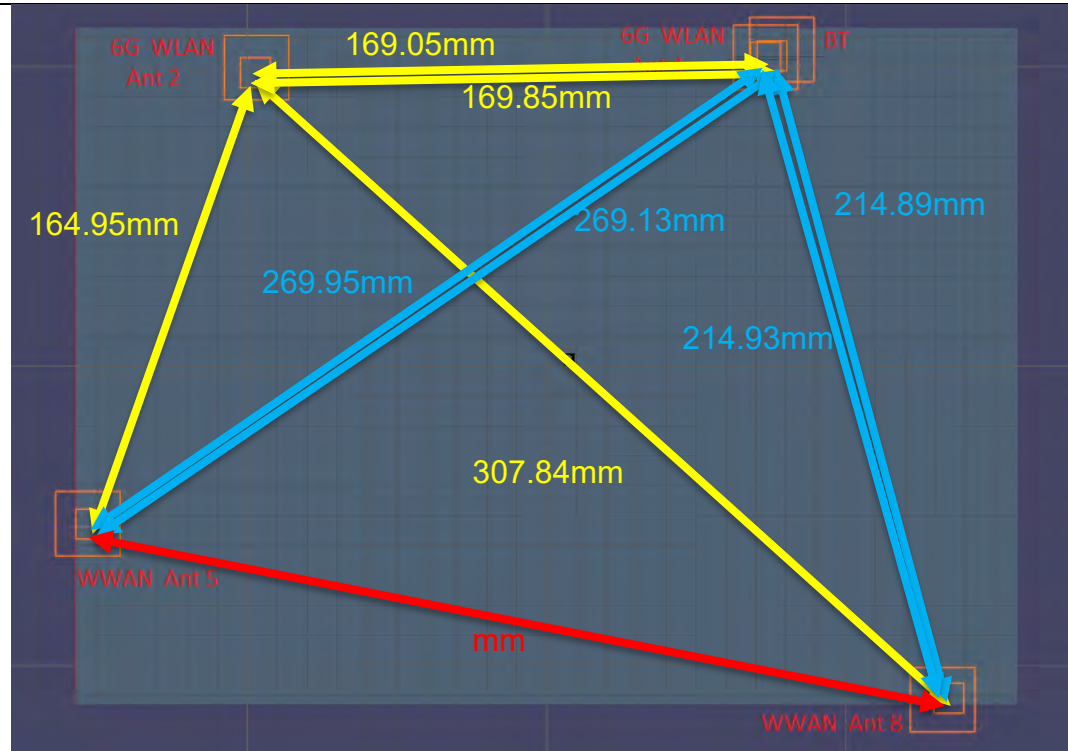
除非另有說明，此報告結果僅對測試之樣品負責，同時此樣品僅保留90天。本報告未經本公司書面許可，不可部份複製。

This document is issued by the Company subject to its General Conditions of Service printed overleaf, available on request or accessible at <http://www.sgs.com.tw/Terms-and-Conditions> and for electronic format documents, subject to Terms and Conditions for Electronic Documents at <http://www.sgs.com.tw/Terms-and-Conditions>. Attention is drawn to the limitation of liability, indemnification and jurisdiction issues defined therein. Any holder of this document is advised that information contained hereon reflects the Company's findings at the time of its intervention only and within the limits of Client's instructions, if any. The Company's sole responsibility is to its Client and this document does not exonerate parties to a transaction from exercising all their rights and obligations under the transaction documents. This document cannot be reproduced except in full, without prior written approval of the Company. Any unauthorized alteration, forgery or falsification of the content or appearance of this document is unlawful and offenders may be prosecuted to the fullest extent of the law.

CA_7C_Ant 5+ NR n77_FCC_Ant 8 + 6GHz WLAN Ant 2+ 6GHz WLAN Ant 1+ Bluetooth Ant 1



CA_7C_Ant 5+ NR n77 & n78_FCC_Ant 8 + 6GHz WLAN Ant 2+ 6GHz WLAN Ant 1+ Bluetooth Ant 1



Unless otherwise stated the results shown in this test report refer only to the sample(s) tested and such sample(s) are retained for 90 days only.

除非另有說明，此報告結果僅對測試之樣品負責，同時此樣品僅保留90天。本報告未經本公司書面許可，不可部份複製。

This document is issued by the Company subject to its General Conditions of Service printed overleaf, available on request or accessible at <http://www.sgs.com.tw/Terms-and-Conditions> and for electronic format documents, subject to Terms and Conditions for Electronic Documents at <http://www.sgs.com.tw/Terms-and-Conditions>. Attention is drawn to the limitation of liability, indemnification and jurisdiction issues defined therein. Any holder of this document is advised that information contained hereon reflects the Company's findings at the time of its intervention only and within the limits of Client's instructions, if any. The Company's sole responsibility is to its Client and this document does not exonerate parties to a transaction from exercising all their rights and obligations under the transaction documents. This document cannot be reproduced except in full, without prior written approval of the Company. Any unauthorized alteration, forgery or falsification of the content or appearance of this document is unlawful and offenders may be prosecuted to the fullest extent of the law.