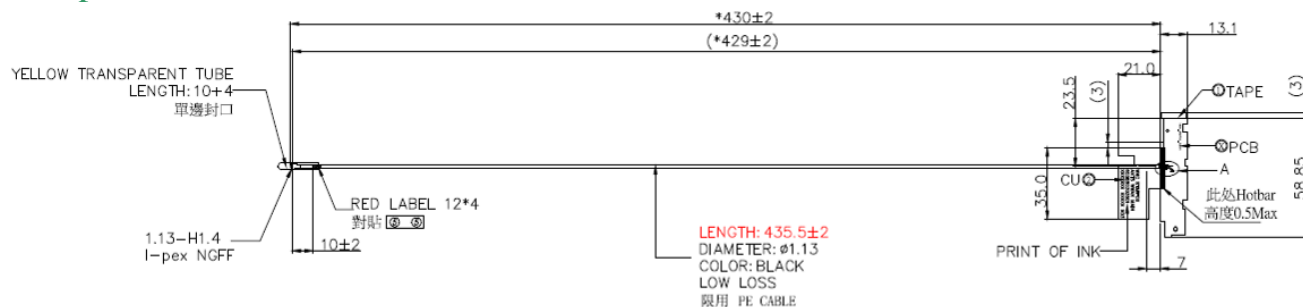


Section 2. Dimensioned Photos or Drawings of Antennas

	Ant supplier	Part number	Drawing	Photo
Ant5	81EABL15.G31	6036B0303501	V	V
Ant6	81EABL15.G32	6036B0302901	V	V
Ant7	81EABL15.G33	6036B0302601	V	V
Ant8	81EABL15.G34	6036B0302501	V	V

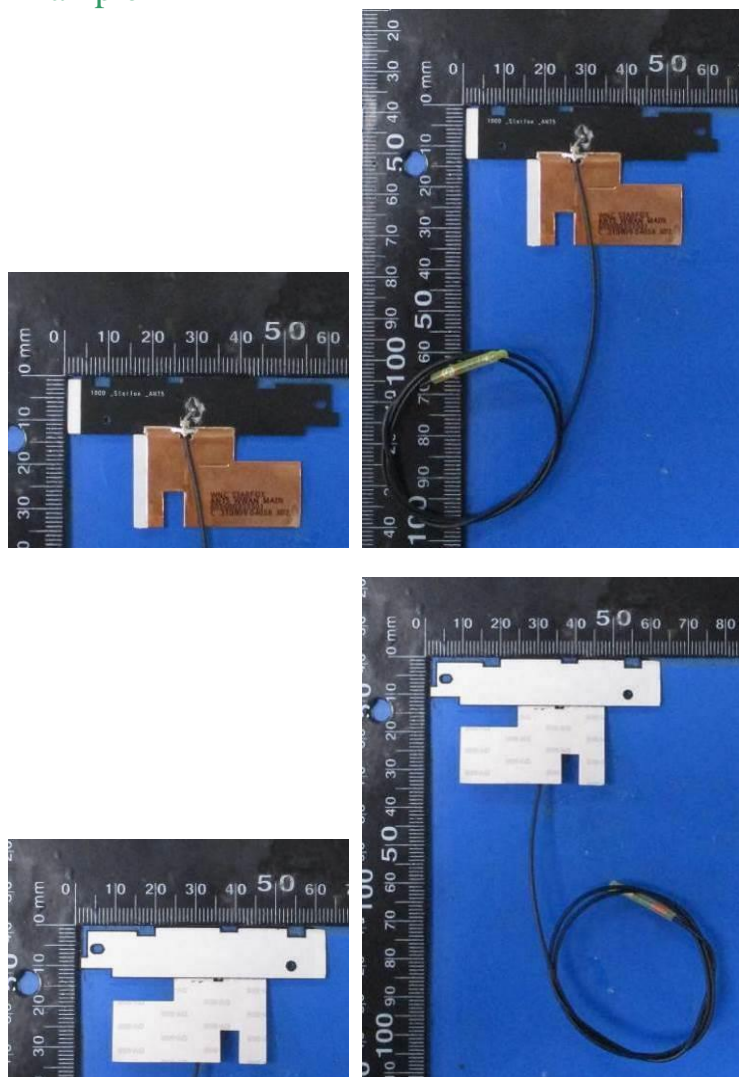
Ant5 Dimensioned Drawing:

Example

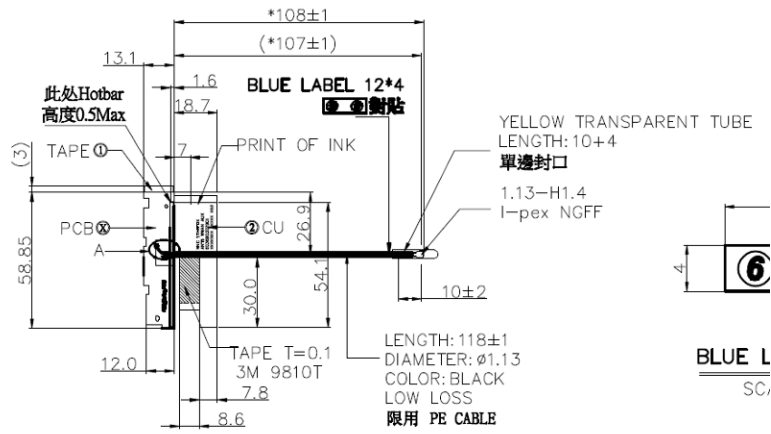


Ant5 Photo:

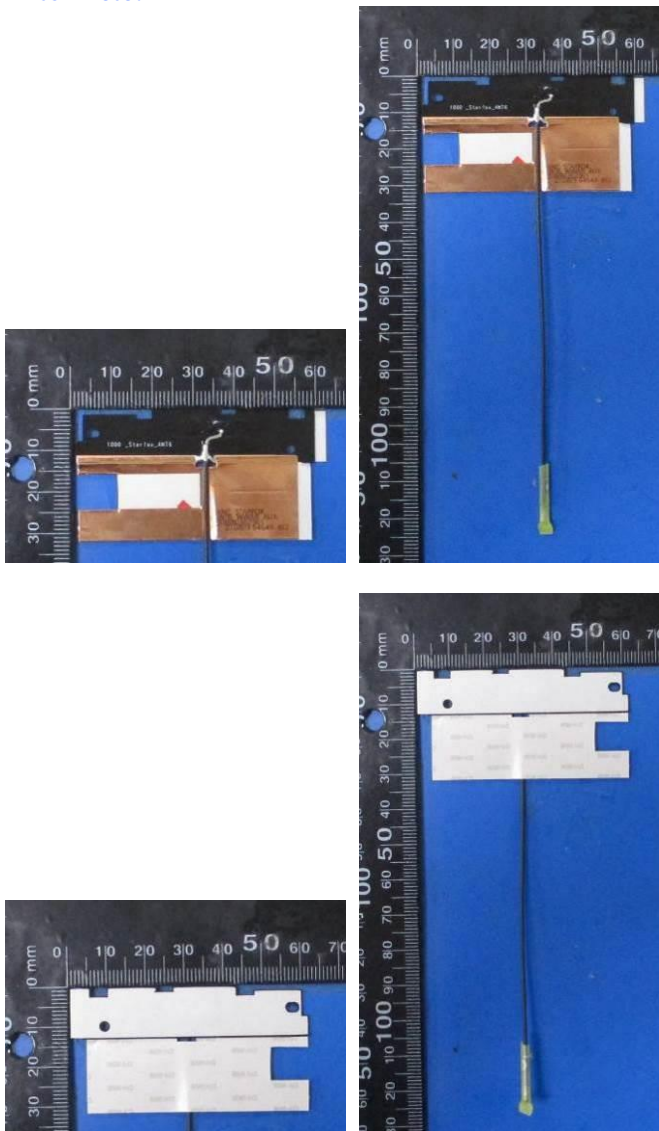
Example



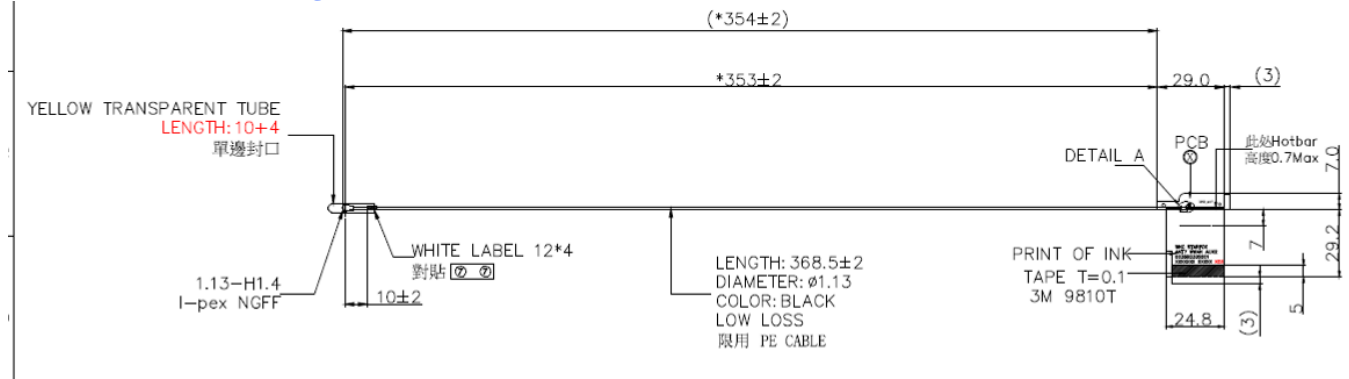
Ant6 Dimensioned Drawing:



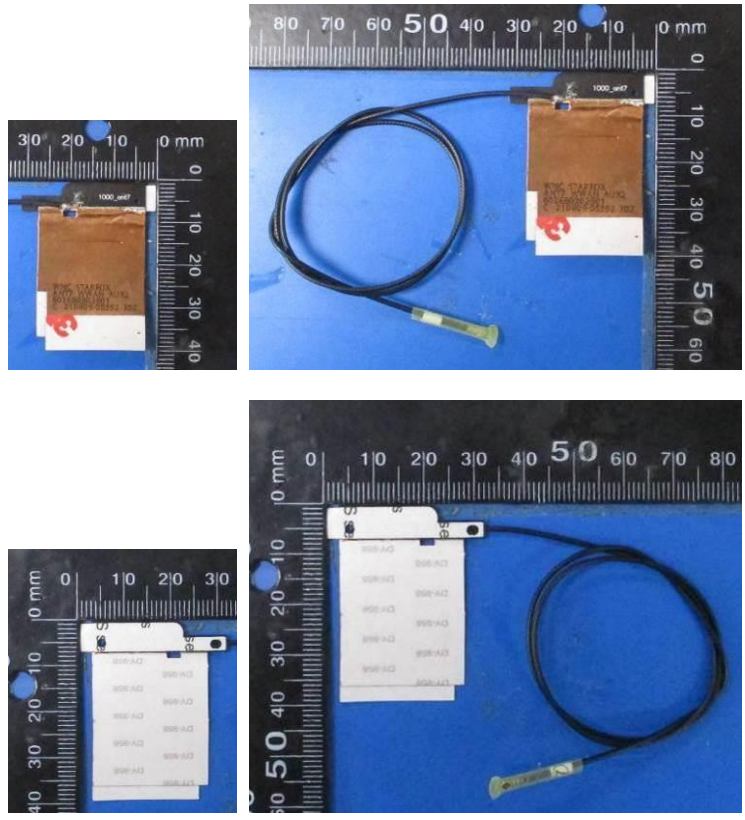
Ant6 Photo:



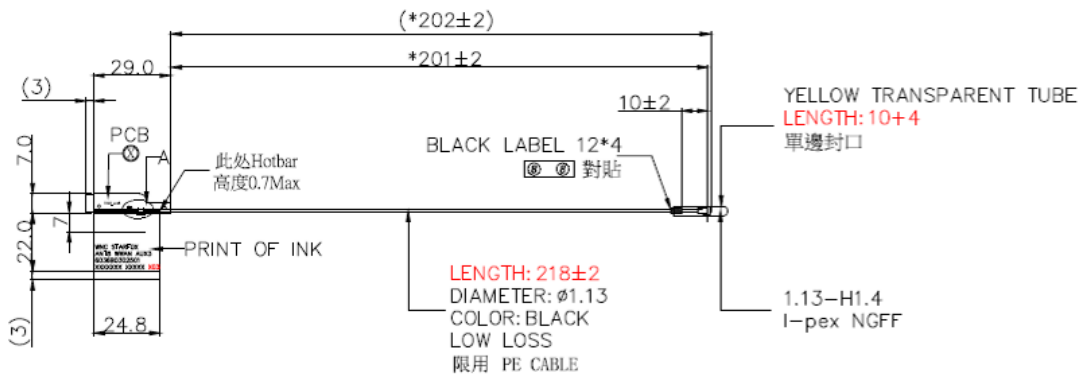
Ant7 Dimensioned Drawing:



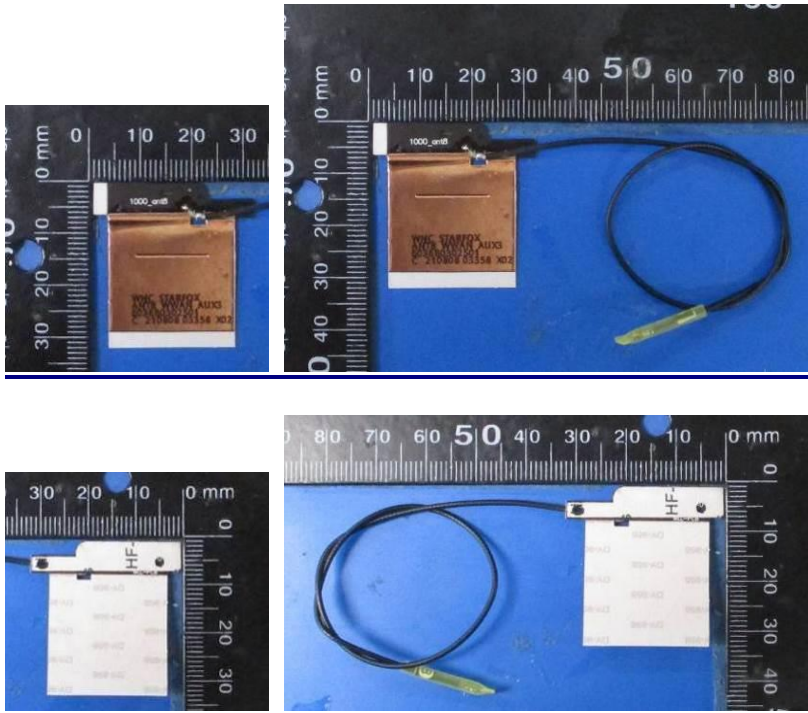
Ant7 Photo:



Ant8 Dimensioned Drawing:



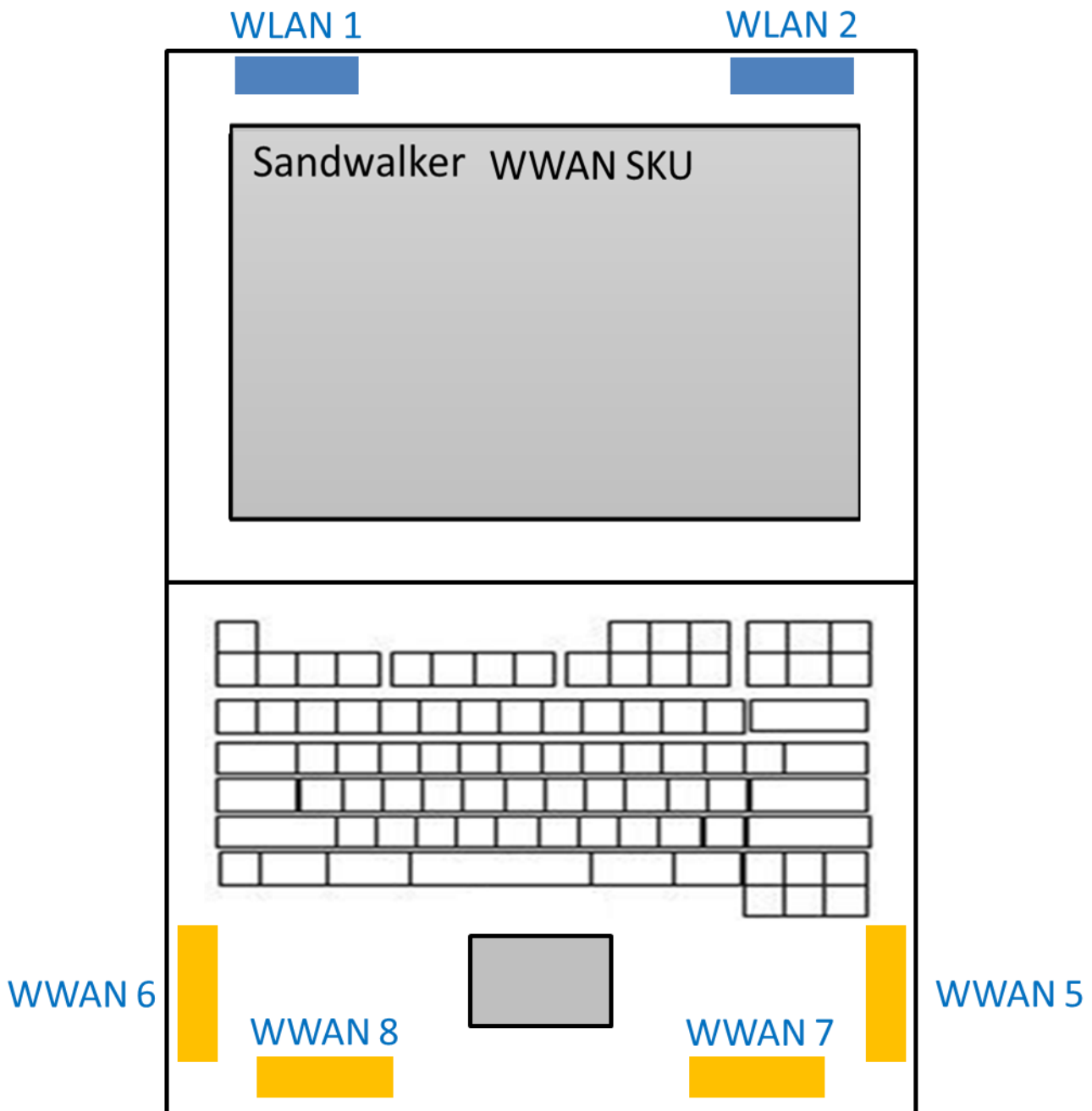
Ant8 Photo:



Section 4. Host Platform Information

OEM / ODM Host platform:

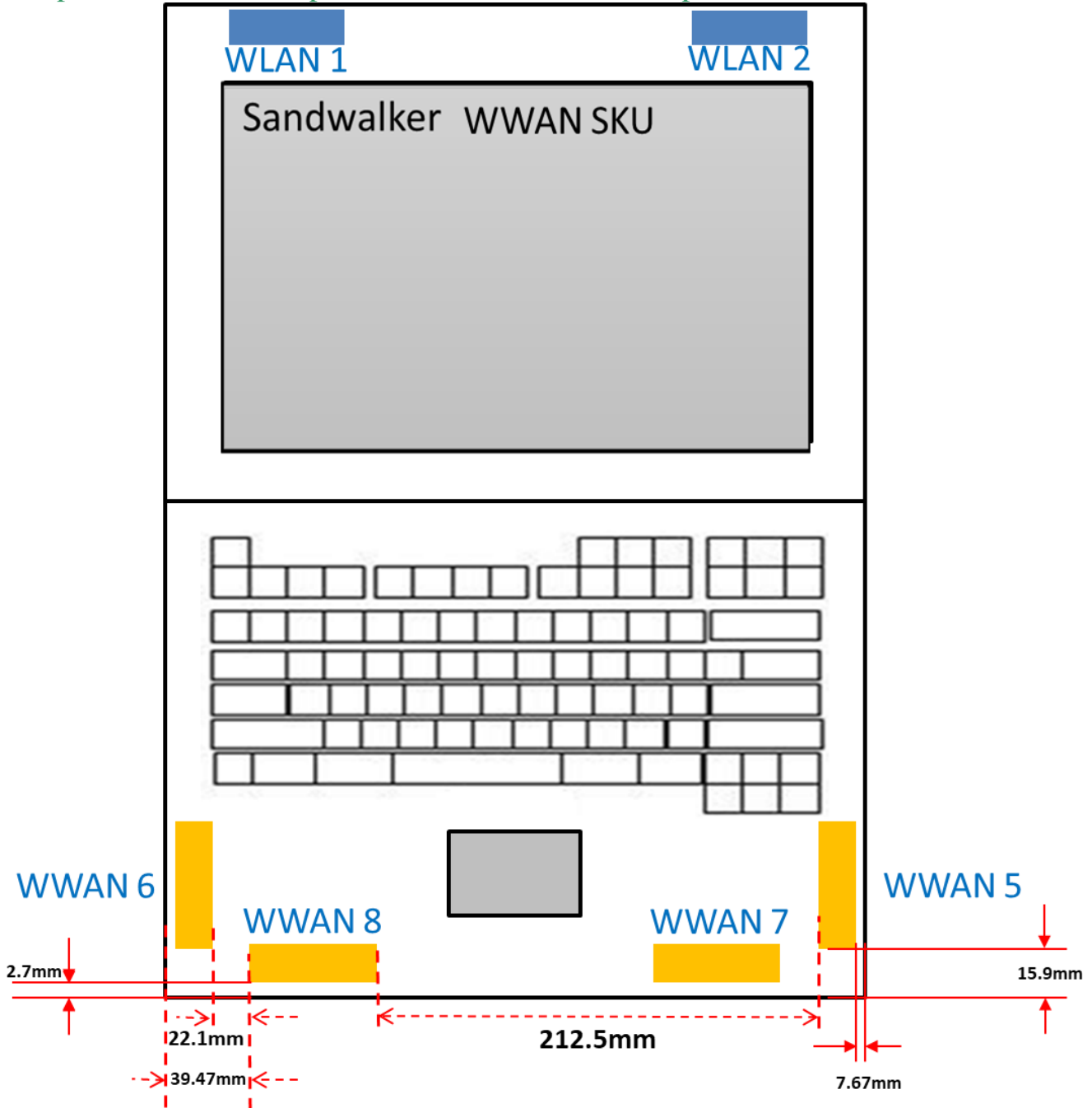
Rating Label Photo:



Section 5. Antenna Host Platform Location Information

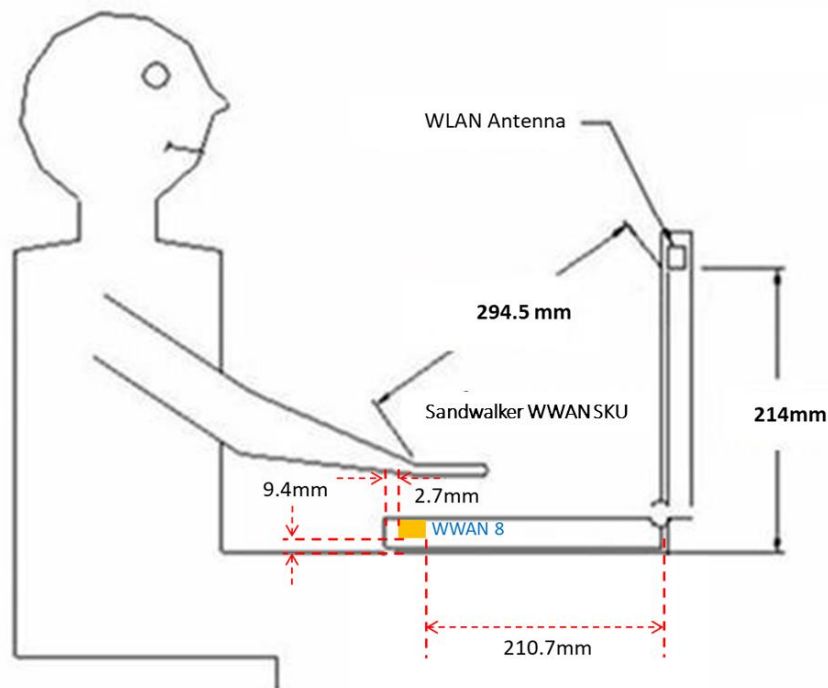
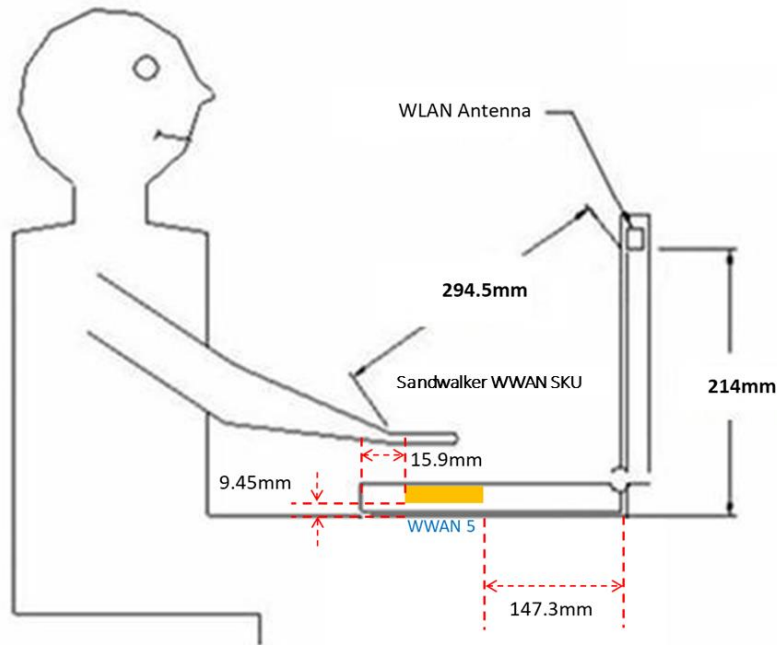
Include a **dimensioned photo(s) or dimensioned drawing(s)** of Ant5, Ant6, Ant7, Ant8 placements (measurements are not required for receive-only antenna).

Any antenna that transmits must show dimensions to bottom of laptop. Provide a description of the materials that are used for supporting or surrounding transmit antennas; for example, non-conductive plastics vs. conductive coated plastic or metallic materials.



Section 6. Antenna dimensional information for SAR evaluation

Include a **dimensioned photo(s) or dimensioned drawing(s)** showing the distance (mm) between the transmit antennas and the user (excluding hands, wrist, feet, and ankle). For notebook/laptop hosts show lapheld position (example below). For tablet hosts show all orientations including lapheld, primary & secondary portrait, primary & secondary landscape positions. Include a description of any proximity sensors or power throttling implementations that limit or exclude use of any host orientation.



Section 7. Diagram Example of Co-Location Antenna Separation

Include a **dimensioned photo or dimensioned drawing** showing the distance (mm) between **all WLAN transmit antennas** and other co-located radiator transmit antenna such as Bluetooth, WWAN,..

