

SAR TEST REPORT



The following samples were submitted and identified on behalf of the client as:

Equipment Under Test	Notebook Computer
Brand Name	HP
Model No.	HSN-I32C
Company Name	HP Inc.
Company Address	1501 Page Mill Road, Palo Alto CA 94304 USA
Standards	IEEE/ANSI C95.1-1992, IEEE 1528-2013
FCC ID	B94HNI32CTKR
Date of Receipt	Sep. 03, 2020
Date of Test(s)	Oct. 04, 2020 ~ Oct. 16, 2020
Date of Issue	Nov. 12, 2020

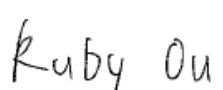

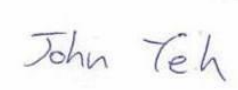
In the configuration tested, the EUT complied with the standards specified above.

Remarks:

This report details the results of the testing carried out on one sample, the results contained in this test report do not relate to other samples of the same product. The manufacturer should ensure that all products in series production are in conformity with the product sample detailed in this report.

This report may only be reproduced and distributed in full. If the product in this report is used in any configuration other than that detailed in the report, the manufacturer must ensure the new system complies with all relevant standards. Any mention of SGS Taiwan Ltd. Central RF Lab or testing done by SGS Taiwan Ltd. Central RF Lab in connection with distribution or use of the product described in this report must be approved by SGS Taiwan Ltd. Central RF Lab in writing.

Signed on behalf of SGS

Clerk / Ruby Ou	Engineer / Jay Tseng	Asst. Manager / John Yeh
		

Date: Nov. 12, 2020

Unless otherwise stated the results shown in this test report refer only to the sample(s) tested and such sample(s) are retained for 90 days only.

除非另有說明，此報告結果僅對測試之樣品負責，同時此樣品僅保留90天。本報告未經本公司書面許可，不可部份複製。

This document is issued by the Company subject to its General Conditions of Service printed overleaf, available on request or accessible at <http://www.sgs.com.tw/Terms-and-Conditions> and for electronic format documents, subject to Terms and Conditions for Electronic Documents at <http://www.sgs.com.tw/Terms-and-Conditions>. Attention is drawn to the limitation of liability, indemnification and jurisdiction issues defined therein. Any holder of this document is advised that information contained hereon reflects the Company's findings at the time of its intervention only and within the limits of Client's instructions, if any. The Company's sole responsibility is to its Client and this document does not exonerate parties to a transaction from exercising all their rights and obligations under the transaction documents. This document cannot be reproduced except in full, without prior written approval of the Company. Any unauthorized alteration, forgery or falsification of the content or appearance of this document is unlawful and offenders may be prosecuted to the fullest extent of the law.

Revision History

Report Number	Revision	Description	Issue Date
ES/2020/90007	Rev.00	Initial creation of document	Nov. 12, 2020

Unless otherwise stated the results shown in this test report refer only to the sample(s) tested and such sample(s) are retained for 90 days only.

除非另有說明，此報告結果僅對測試之樣品負責，同時此樣品僅保留90天。本報告未經本公司書面許可，不可部份複製。

This document is issued by the Company subject to its General Conditions of Service printed overleaf, available on request or accessible at <http://www.sgs.com.tw/Terms-and-Conditions> and for electronic format documents, subject to Terms and Conditions for Electronic Documents at <http://www.sgs.com.tw/Terms-and-Conditions>. Attention is drawn to the limitation of liability, indemnification and jurisdiction issues defined therein. Any holder of this document is advised that information contained hereon reflects the Company's findings at the time of its intervention only and within the limits of Client's instructions, if any. The Company's sole responsibility is to its Client and this document does not exonerate parties to a transaction from exercising all their rights and obligations under the transaction documents. This document cannot be reproduced except in full, without prior written approval of the Company. Any unauthorized alteration, forgery or falsification of the content or appearance of this document is unlawful and offenders may be prosecuted to the fullest extent of the law.

Contents

0.Guidance applied	4
1. General Information	5
1.1 Testing Laboratory	5
1.2 Details of Applicant.....	5
1.3 Description of EUT	6
1.3.1 Intra-band ULCA power table	119
1.3.2 LTE Downlink CA specification.....	127
1.3.3 SAR test exclusion for LTE DL MIMO	136
1.4 Test Environment	138
1.5 Operation Description	138
1.6 Smart Transmit feature for RF Exposure compliance	149
SAR_design_target and Uncertainty	150
1.7 Operating modes validation by power measurement.....	152
1.8 The SAR Measurement System.....	155
1.9 System Components	157
1.10 SAR System Verification	159
1.11 Tissue Simulant Fluid for the Frequency Band.....	161
1.12 Evaluation Procedures	164
1.13 Probe Calibration Procedures	165
1.14 Test Standards and Limits	168
2. Summary of Results	170
2.1 Decision rules.....	170
2.2 Summary of Results	170
2.3 Reporting statements of conformity	182
3. Simultaneous Transmission Analysis	183
3.1 Estimated SAR calculation.....	184
3.2 SPLSR evaluation and analysis	184
4. Instruments List	188
5. Measurements	190
6. SAR System Performance Verification	244
7. Uncertainty Budget	255
Appendixes.....	257
ES202090007 SAR_Appendix A Photographs.....	257
ES202090007 SAR_Appendix B DAE & Probe Cal. Certificate.....	257
ES202090007 SAR_Appendix C Phantom Description & Dipole Cal. Certificate	257

Unless otherwise stated the results shown in this test report refer only to the sample(s) tested and such sample(s) are retained for 90 days only.

除非另有說明，此報告結果僅對測試之樣品負責，同時此樣品僅保留90天。本報告未經本公司書面許可，不可部份複製。

This document is issued by the Company subject to its General Conditions of Service printed overleaf, available on request or accessible at <http://www.sgs.com.tw/Terms-and-Conditions> and for electronic format documents, subject to Terms and Conditions for Electronic Documents at <http://www.sgs.com.tw/Terms-and-Conditions>. Attention is drawn to the limitation of liability, indemnification and jurisdiction issues defined therein. Any holder of this document is advised that information contained hereon reflects the Company's findings at the time of its intervention only and within the limits of Client's instructions, if any. The Company's sole responsibility is to its Client and this document does not exonerate parties to a transaction from exercising all their rights and obligations under the transaction documents. This document cannot be reproduced except in full, without prior written approval of the Company. Any unauthorized alteration, forgery or falsification of the content or appearance of this document is unlawful and offenders may be prosecuted to the fullest extent of the law.

0. Guidance applied

The SAR testing method and procedure for this device is in accordance with the following standards:

IEEE/ANSI C95.1-1992

IEEE 1528-2013

KDB616217D04v01r02

KDB865664D01v01r04

KDB865664D02v01r02

KDB941225D01v03r01

KDB941225D05v02r05

KDB941225D05Av01r02

KDB447498D01v06

Unless otherwise stated the results shown in this test report refer only to the sample(s) tested and such sample(s) are retained for 90 days only.

除非另有說明，此報告結果僅對測試之樣品負責，同時此樣品僅保留90天。本報告未經本公司書面許可，不可部份複製。

This document is issued by the Company subject to its General Conditions of Service printed overleaf, available on request or accessible at <http://www.sgs.com.tw/Terms-and-Conditions> and for electronic format documents, subject to Terms and Conditions for Electronic Documents at <http://www.sgs.com.tw/Terms-and-Conditions>. Attention is drawn to the limitation of liability, indemnification and jurisdiction issues defined therein. Any holder of this document is advised that information contained hereon reflects the Company's findings at the time of its intervention only and within the limits of Client's instructions, if any. The Company's sole responsibility is to its Client and this document does not exonerate parties to a transaction from exercising all their rights and obligations under the transaction documents. This document cannot be reproduced except in full, without prior written approval of the Company. Any unauthorized alteration, forgery or falsification of the content or appearance of this document is unlawful and offenders may be prosecuted to the fullest extent of the law.

1. General Information

1.1 Testing Laboratory

SGS Taiwan Ltd. Central RF Lab	
No.134, Wu Kung Road, New Taipei Industrial Park, Wuku District, New Taipei City, Taiwan	
FCC Designation Number	TW0027
Tel	+886-2-2299-3279
Fax	+886-2-2298-0488
Internet	http://www.tw.sgs.com/

1.2 Details of Applicant

Company Name	HP Inc.
Company Address	1501 Page Mill Road, Palo Alto CA 94304 USA

Unless otherwise stated the results shown in this test report refer only to the sample(s) tested and such sample(s) are retained for 90 days only.

除非另有說明，此報告結果僅對測試之樣品負責，同時此樣品僅保留90天。本報告未經本公司書面許可，不可部份複製。

This document is issued by the Company subject to its General Conditions of Service printed overleaf, available on request or accessible at <http://www.sgs.com.tw/Terms-and-Conditions> and for electronic format documents, subject to Terms and Conditions for Electronic Documents at <http://www.sgs.com.tw/Terms-and-Conditions>. Attention is drawn to the limitation of liability, indemnification and jurisdiction issues defined therein. Any holder of this document is advised that information contained hereon reflects the Company's findings at the time of its intervention only and within the limits of Client's instructions, if any. The Company's sole responsibility is to its Client and this document does not exonerate parties to a transaction from exercising all their rights and obligations under the transaction documents. This document cannot be reproduced except in full, without prior written approval of the Company. Any unauthorized alteration, forgery or falsification of the content or appearance of this document is unlawful and offenders may be prosecuted to the fullest extent of the law.

1.3 Description of EUT

Equipment Under Test	Notebook Computer		
Brand Name	HP		
Model No.	HSN-I32C		
FCC ID	B94HNI32CTKR		
Integrated Module	WLAN	Brand Name : Intel Model Name : AX201D2W	
	WWAN	Brand Name : Foxconn Model Name : T99W175	
Mode of Operation	<input checked="" type="checkbox"/> WCDMA <input checked="" type="checkbox"/> HSDPA <input checked="" type="checkbox"/> HSUPA <input checked="" type="checkbox"/> HSPA+ <input checked="" type="checkbox"/> DC-HSDPA <input checked="" type="checkbox"/> LTE FDD <input checked="" type="checkbox"/> LTE TDD <input checked="" type="checkbox"/> 5G NR <input checked="" type="checkbox"/> WLAN802.11 a/b/g/n/ac/ax(20M/40M/80M/160M) <input checked="" type="checkbox"/> Bluetooth		
Duty Cycle	WCDMA	100%	
	LTE FDD	100%	
	LTE TDD Power Class 3	63.3%	
	LTE TDD Power Class 2	43.3%	
	5G NR	100%	
	WLAN802.11 a/b/g/n/ac/ax(20M/40M/80M/160M)	100%	
	Bluetooth	100%	
TX Frequency Range (MHz)	Tx5 antenna		
	WCDMA Band II	1850	— 1910
	WCDMA Band IV	1710	— 1755
	WCDMA Band V	824	— 849
	LTE FDD Band 2	1850	— 1910
	LTE FDD Band 4	1710	— 1755
	LTE FDD Band 5	824	— 849

Unless otherwise stated the results shown in this test report refer only to the sample(s) tested and such sample(s) are retained for 90 days only.

除非另有說明，此報告結果僅對測試之樣品負責，同時此樣品僅保留90天。本報告未經本公司書面許可，不可部份複製。

This document is issued by the Company subject to its General Conditions of Service printed overleaf, available on request or accessible at <http://www.sgs.com.tw/Terms-and-Conditions> and for electronic format documents, subject to Terms and Conditions for Electronic Documents at <http://www.sgs.com.tw/Terms-and-Conditions>. Attention is drawn to the limitation of liability, indemnification and jurisdiction issues defined therein. Any holder of this document is advised that information contained hereon reflects the Company's findings at the time of its intervention only and within the limits of Client's instructions, if any. The Company's sole responsibility is to its Client and this document does not exonerate parties to a transaction from exercising all their rights and obligations under the transaction documents. This document cannot be reproduced except in full, without prior written approval of the Company. Any unauthorized alteration, forgery or falsification of the content or appearance of this document is unlawful and offenders may be prosecuted to the fullest extent of the law.

TX Frequency Range (MHz)	LTE FDD Band 7	2500	—	2570	
	LTE FDD Band 12	699	—	716	
	LTE FDD Band 13	777	—	787	
	LTE FDD Band 14	788	—	798	
	LTE FDD Band 17	704	—	716	
	LTE FDD Band 25	1850	—	1915	
	LTE FDD Band 26	814	—	849	
	LTE FDD Band 30	2305	—	2315	
	LTE TDD Band 38 Power Class 3	2570	—	2620	
	LTE TDD Band 41 Power Class 2/3	2496	—	2690	
	LTE FDD Band 66	1710	—	1780	
	n2	1850	—	1910	
	n5	824	—	849	
	n12	699	—	716	
	n66	1710	—	1780	
	Tx8 antenna				
	LTE FDD Band 2	1850	—	1910	
	LTE FDD Band 7	2500	—	2570	
	LTE FDD Band 42 Power Class 3	3400	—	3600	
	LTE FDD Band 48 Power Class 3	3550	—	3700	
	LTE FDD Band 66	1710	—	1780	
	n2	1850	—	1910	
	n7	2500	—	2570	
	n41 Power Class 2/3	2496	—	2690	
	n66	1710	—	1780	
	WLAN/BT				
	WLAN802.11 b/g/n/ax(20M)	2412	—	2472	
	WLAN802.11 n/ax(40M)	2422	—	2462	

Unless otherwise stated the results shown in this test report refer only to the sample(s) tested and such sample(s) are retained for 90 days only.

除非另有說明，此報告結果僅對測試之樣品負責，同時此樣品僅保留90天。本報告未經本公司書面許可，不可部份複製。

This document is issued by the Company subject to its General Conditions of Service printed overleaf, available on request or accessible at <http://www.sgs.com.tw/Terms-and-Conditions> and for electronic format documents, subject to Terms and Conditions for Electronic Documents at <http://www.sgs.com.tw/Terms-and-Conditions>. Attention is drawn to the limitation of liability, indemnification and jurisdiction issues defined therein. Any holder of this document is advised that information contained hereon reflects the Company's findings at the time of its intervention only and within the limits of Client's instructions, if any. The Company's sole responsibility is to its Client and this document does not exonerate parties to a transaction from exercising all their rights and obligations under the transaction documents. This document cannot be reproduced except in full, without prior written approval of the Company. Any unauthorized alteration, forgery or falsification of the content or appearance of this document is unlawful and offenders may be prosecuted to the fullest extent of the law.

TX Frequency Range (MHz)	WLAN802.11 a/n/ac/ax(20M) 5.2G	5180	—	5240
	WLAN802.11 n/ac/ax(40M) 5.2G	5190	—	5230
	WLAN802.11 ac/ax(80M) 5.2G	5210		
	WLAN802.11 ac/ax(160M) 5.2G	5250		
	WLAN802.11 a/n/ac/ax(20M) 5.3G	5260	—	5320
	WLAN802.11 n/ac/ax(40M) 5.3G	5270	—	5310
	WLAN802.11 ac/ax(80M) 5.3G	5290		
	WLAN802.11 a/n/ac/ax(20M) 5.6G	5500	—	5720
	WLAN802.11 n/ac/ax(40M) 5.6G	5510	—	5710
	WLAN802.11 ac/ax(80M) 5.6G	5530	—	5690
	WLAN802.11 ac/ax(160M) 5.6G	5570		
	WLAN802.11 a/n/ac/ax(20M) 5.8G	5745	—	5825
	WLAN802.11 n/ac/ax(40M) 5.8G	5755	—	5795
	WLAN802.11 ac/ax(80M) 5.8G	5775		
Bluetooth	2402	—	2480	
Channel Number (ARFCN)	Tx5 antenna			
	WCDMA Band II	9262	—	9538
	WCDMA Band IV	1312	—	1513
	WCDMA Band V	4132	—	4233
	LTE FDD Band 2	18607	—	19193
	LTE FDD Band 4	19957	—	20393
	LTE FDD Band 5	20407	—	20643
	LTE FDD Band 7	20775	—	21425
	LTE FDD Band 12	23017	—	23173
	LTE FDD Band 13	23205	—	23255
	LTE FDD Band 14	23305	—	23355
	LTE FDD Band 17	23755	—	23825

Unless otherwise stated the results shown in this test report refer only to the sample(s) tested and such sample(s) are retained for 90 days only.

除非另有說明，此報告結果僅對測試之樣品負責，同時此樣品僅保留90天。本報告未經本公司書面許可，不可部份複製。

This document is issued by the Company subject to its General Conditions of Service printed overleaf, available on request or accessible at <http://www.sgs.com.tw/Terms-and-Conditions> and for electronic format documents, subject to Terms and Conditions for Electronic Documents at <http://www.sgs.com.tw/Terms-and-Conditions>. Attention is drawn to the limitation of liability, indemnification and jurisdiction issues defined therein. Any holder of this document is advised that information contained hereon reflects the Company's findings at the time of its intervention only and within the limits of Client's instructions, if any. The Company's sole responsibility is to its Client and this document does not exonerate parties to a transaction from exercising all their rights and obligations under the transaction documents. This document cannot be reproduced except in full, without prior written approval of the Company. Any unauthorized alteration, forgery or falsification of the content or appearance of this document is unlawful and offenders may be prosecuted to the fullest extent of the law.

Channel Number (ARFCN)	LTE FDD Band 25	26047	—	26683	
	LTE FDD Band 26	26697	—	27033	
	LTE FDD Band 30	27685	—	27735	
	LTE TDD Band 38 Power Class 3	37775	—	38225	
	LTE TDD Band 41 Power Class 2/3	39675	—	41565	
	LTE FDD Band 66	131979	—	132665	
	n2	370500	—	381500	
	n5	165300	—	169300	
	n12	140300	—	142200	
	n66	342500	—	355500	
	Tx8 antenna				
	LTE FDD Band 2	18607	—	19193	
	LTE FDD Band 7	20775	—	21425	
	LTE FDD Band 42 Power Class 3	41615	—	43565	
	LTE FDD Band 48 Power Class 3	55265	—	56715	
	LTE FDD Band 66	131979	—	132665	
	n2	370500	—	381500	
	n7	500500	—	513500	
	n41 Power Class 2/3	501204	—	535998	
	n66	342500	—	355500	
	WLAN/BT				
	WLAN802.11 b/g/n/ax(20M)	1	—	13	
	WLAN802.11 n/ax(40M)	3	—	11	
	WLAN802.11 a/n/ac/ax(20M) 5.2G	36	—	48	
	WLAN802.11 n/ac/ax(40M) 5.2G	38	—	46	
	WLAN802.11 ac/ax(80M) 5.2G	42			
	WLAN802.11 ac/ax(160M) 5.2G	50			
	WLAN802.11 a/n/ac/ax(20M) 5.3G	52	—	64	
	WLAN802.11 n/ac/ax(40M) 5.3G	54	—	62	

Unless otherwise stated the results shown in this test report refer only to the sample(s) tested and such sample(s) are retained for 90 days only.

除非另有說明，此報告結果僅對測試之樣品負責，同時此樣品僅保留90天。本報告未經本公司書面許可，不可部份複製。

This document is issued by the Company subject to its General Conditions of Service printed overleaf, available on request or accessible at <http://www.sgs.com.tw/Terms-and-Conditions> and for electronic format documents, subject to Terms and Conditions for Electronic Documents at <http://www.sgs.com.tw/Terms-and-Conditions>. Attention is drawn to the limitation of liability, indemnification and jurisdiction issues defined therein. Any holder of this document is advised that information contained hereon reflects the Company's findings at the time of its intervention only and within the limits of Client's instructions, if any. The Company's sole responsibility is to its Client and this document does not exonerate parties to a transaction from exercising all their rights and obligations under the transaction documents. This document cannot be reproduced except in full, without prior written approval of the Company. Any unauthorized alteration, forgery or falsification of the content or appearance of this document is unlawful and offenders may be prosecuted to the fullest extent of the law.

Channel Number (ARFCN)	WLAN802.11 ac/ax(80M) 5.3G	58	
	WLAN802.11 a/n/ac/ax(20M) 5.6G	100	144
	WLAN802.11 n/ac/ax(40M) 5.6G	102	142
	WLAN802.11 ac/ax(80M) 5.6G	106	138
	WLAN802.11 ac/ax(160M) 5.6G	114	
	WLAN802.11 a/n/ac/ax(20M) 5.8G	149	165
	WLAN802.11 n/ac/ax(40M) 5.8G	151	159
	WLAN802.11 ac/ax(80M) 5.8G	155	
	Bluetooth	0	78

Unless otherwise stated the results shown in this test report refer only to the sample(s) tested and such sample(s) are retained for 90 days only.

除非另有說明，此報告結果僅對測試之樣品負責，同時此樣品僅保留90天。本報告未經本公司書面許可，不可部份複製。

This document is issued by the Company subject to its General Conditions of Service printed overleaf, available on request or accessible at <http://www.sgs.com.tw/Terms-and-Conditions> and for electronic format documents, subject to Terms and Conditions for Electronic Documents at <http://www.sgs.com.tw/Terms-and-Conditions>. Attention is drawn to the limitation of liability, indemnification and jurisdiction issues defined therein. Any holder of this document is advised that information contained hereon reflects the Company's findings at the time of its intervention only and within the limits of Client's instructions, if any. The Company's sole responsibility is to its Client and this document does not exonerate parties to a transaction from exercising all their rights and obligations under the transaction documents. This document cannot be reproduced except in full, without prior written approval of the Company. Any unauthorized alteration, forgery or falsification of the content or appearance of this document is unlawful and offenders may be prosecuted to the fullest extent of the law.

Tablet mode (Tx5)

Max. SAR (1 g) (Unit: W/Kg)				
Band	Measured	Reported	Channel	Position
WCDMA Band II	1.13	1.14	9400	Back side
WCDMA Band IV	1.09	1.10	1312	Back side
WCDMA Band V	1.10	1.12	4132	Back side
LTE FDD Band 2	1.14	1.15	18900	Back side
LTE FDD Band 4	1.12	1.13	20300	Back side
LTE FDD Band 5	1.08	1.09	20450	Back side
LTE FDD Band 7	1.10	1.11	21100	Back side
LTE FDD Band 12	1.12	1.13	23095	Back side
LTE FDD Band 13	1.19	1.20	23230	Back side
LTE FDD Band 14	1.16	1.19	23330	Back side
LTE FDD Band 17	1.19	1.22	23790	Back side
LTE FDD Band 25	1.03	1.07	26140	Back side
LTE FDD Band 26	1.20	1.23	26765	Back side
LTE FDD Band 30	1.14	1.20	27710	Back side
LTE TDD Band 38	1.15	1.18	38000	Back side
LTE TDD Band 41	1.13	1.15	40620	Back side
LTE TDD Band 41(HPUE)	1.17	1.20	41055	Back side
LTE FDD Band 66	1.13	1.17	132072	Back side
5G n2	1.15	1.17	372000	Back side
5G n5	1.03	1.06	166800	Back side
5G n12	1.19	1.20	141700	Back side
5G n66	1.18	1.19	344000	Back side

Unless otherwise stated the results shown in this test report refer only to the sample(s) tested and such sample(s) are retained for 90 days only.

除非另有說明，此報告結果僅對測試之樣品負責，同時此樣品僅保留90天。本報告未經本公司書面許可，不可部份複製。

This document is issued by the Company subject to its General Conditions of Service printed overleaf, available on request or accessible at <http://www.sgs.com.tw/Terms-and-Conditions> and for electronic format documents, subject to Terms and Conditions for Electronic Documents at <http://www.sgs.com.tw/Terms-and-Conditions>. Attention is drawn to the limitation of liability, indemnification and jurisdiction issues defined therein. Any holder of this document is advised that information contained hereon reflects the Company's findings at the time of its intervention only and within the limits of Client's instructions, if any. The Company's sole responsibility is to its Client and this document does not exonerate parties to a transaction from exercising all their rights and obligations under the transaction documents. This document cannot be reproduced except in full, without prior written approval of the Company. Any unauthorized alteration, forgery or falsification of the content or appearance of this document is unlawful and offenders may be prosecuted to the fullest extent of the law.

Notebook mode (Tx5)

Max. SAR (1 g) (Unit: W/Kg)				
Band	Measured	Reported	Channel	Position
WCDMA Band II	1.15	1.15	9662	Bottom side
WCDMA Band IV	1.14	1.14	1513	Bottom side
WCDMA Band V	1.10	1.12	4233	Bottom side
LTE FDD Band 2	1.10	1.11	19100	Bottom side
LTE FDD Band 4	1.04	1.05	20175	Bottom side
LTE FDD Band 5	1.26	1.36	20525	Bottom side
LTE FDD Band 7	1.22	1.23	20850	Bottom side
LTE FDD Band 12	1.08	1.09	23060	Bottom side
LTE FDD Band 13	1.17	1.18	23230	Bottom side
LTE FDD Band 14	1.18	1.23	23330	Bottom side
LTE FDD Band 17	1.24	1.25	23790	Bottom side
LTE FDD Band 25	1.07	1.08	26590	Bottom side
LTE FDD Band 26	1.22	1.24	26965	Bottom side
LTE FDD Band 30	1.23	1.25	27710	Bottom side
LTE TDD Band 38	0.92	1.20	38000	Bottom side
LTE TDD Band 41	1.18	1.20	41055	Bottom side
LTE TDD Band 41(HPUE)	1.20	1.23	40620	Bottom side
LTE FDD Band 66	1.15	1.19	132572	Bottom side
5G n2	1.28	1.38	372000	Bottom side
5G n5	1.11	1.13	167300	Bottom side
5G n12	1.04	1.24	141300	Bottom side
5G n66	1.22	1.24	344000	Bottom side

Unless otherwise stated the results shown in this test report refer only to the sample(s) tested and such sample(s) are retained for 90 days only.

除非另有說明，此報告結果僅對測試之樣品負責，同時此樣品僅保留90天。本報告未經本公司書面許可，不可部份複製。

This document is issued by the Company subject to its General Conditions of Service printed overleaf, available on request or accessible at <http://www.sgs.com.tw/Terms-and-Conditions> and for electronic format documents, subject to Terms and Conditions for Electronic Documents at <http://www.sgs.com.tw/Terms-and-Conditions>. Attention is drawn to the limitation of liability, indemnification and jurisdiction issues defined therein. Any holder of this document is advised that information contained hereon reflects the Company's findings at the time of its intervention only and within the limits of Client's instructions, if any. The Company's sole responsibility is to its Client and this document does not exonerate parties to a transaction from exercising all their rights and obligations under the transaction documents. This document cannot be reproduced except in full, without prior written approval of the Company. Any unauthorized alteration, forgery or falsification of the content or appearance of this document is unlawful and offenders may be prosecuted to the fullest extent of the law.

Tablet mode (Tx8)

Max. SAR (1 g) (Unit: W/Kg)				
Band	Measured	Reported	Channel	Position
LTE FDD Band 2	0.67	0.69	18900	Top side
LTE FDD Band 7	0.69	0.70	21100	Top side
LTE FDD Band 42	0.64	0.65	43490	Top side
LTE FDD Band 48	0.65	0.66	55340	Top side
LTE FDD Band 66	0.67	0.69	132322	Top side
5G n2	0.66	0.70	372000	Top side
5G n7	0.67	0.69	512000	Top side
5G n41	0.66	0.68	518598	Top side
5G n41(HPUE)	0.62	0.75	509202	Top side
5G n66	0.69	0.71	349000	Top side

Max. Simultaneous transmission SAR (1 g) (Unit: W/Kg)			
Antenna	Scenario	sum	Position
Tx8	5G NR n41(HPUE) + WLAN 5GHz Tx2 (SISO) + BT	1.55	Top side

Unless otherwise stated the results shown in this test report refer only to the sample(s) tested and such sample(s) are retained for 90 days only.

除非另有說明，此報告結果僅對測試之樣品負責，同時此樣品僅保留90天。本報告未經本公司書面許可，不可部份複製。

This document is issued by the Company subject to its General Conditions of Service printed overleaf, available on request or accessible at <http://www.sgs.com.tw/Terms-and-Conditions> and for electronic format documents, subject to Terms and Conditions for Electronic Documents at <http://www.sgs.com.tw/Terms-and-Conditions>. Attention is drawn to the limitation of liability, indemnification and jurisdiction issues defined therein. Any holder of this document is advised that information contained hereon reflects the Company's findings at the time of its intervention only and within the limits of Client's instructions, if any. The Company's sole responsibility is to its Client and this document does not exonerate parties to a transaction from exercising all their rights and obligations under the transaction documents. This document cannot be reproduced except in full, without prior written approval of the Company. Any unauthorized alteration, forgery or falsification of the content or appearance of this document is unlawful and offenders may be prosecuted to the fullest extent of the law.

Antenna Information

Notebook mode							
Vendor	AWAN						
Antenna	Mian Tx5 (PIFA)						
Part Number	6036B0285701(AUF6Y-100027)						
Frequency	699~716	777~798	814~849	1710~1780	1850~1915	2300~2400	2496~2690
Gain (dBi)	-4.53	-3.46	-0.89	1.95	1.79	2.04	0.41

Tablet mode							
Vendor	AWAN						
Antenna	Mian Tx5 (PIFA)						
Part Number	6036B0285701(AUF6Y-100027)						
Frequency	699~716	777~798	814~849	1710~1780	1850~1915	2300~2400	2496~2690
Gain (dBi)	-7.42	-5.07	-3.38	-2.38	-1.15	-4.79	-5.30

Notebook mode				
Vendor	AWAN			
Antenna	Aux3 Tx8 (PIFA)			
Part Number	6036B0285301(AUP6Y-100093)			
Frequency	1710-1780	1850-1910	2496~2690	3550-3700
Gain (dBi)	1.17	1.62	-3.55	-2.43

Tablet mode				
Vendor	AWAN			
Antenna	Aux3 Tx8 (PIFA)			
Part Number	6036B0285301(AUP6Y-100093)			
Frequency	1710-1780	1850-1910	2496~2690	3550-3700
Gain (dBi)	-0.33	-1.78	-2.22	-5.77

Unless otherwise stated the results shown in this test report refer only to the sample(s) tested and such sample(s) are retained for 90 days only.
 除非另有說明，此報告結果僅對測試之樣品負責，同時此樣品僅保留90天。本報告未經本公司書面許可，不可部份複製。

This document is issued by the Company subject to its General Conditions of Service printed overleaf, available on request or accessible at <http://www.sgs.com.tw/Terms-and-Conditions> and for electronic format documents, subject to Terms and Conditions for Electronic Documents at <http://www.sgs.com.tw/Terms-and-Conditions>. Attention is drawn to the limitation of liability, indemnification and jurisdiction issues defined therein. Any holder of this document is advised that information contained hereon reflects the Company's findings at the time of its intervention only and within the limits of Client's instructions, if any. The Company's sole responsibility is to its Client and this document does not exonerate parties to a transaction from exercising all their rights and obligations under the transaction documents. This document cannot be reproduced except in full, without prior written approval of the Company. Any unauthorized alteration, forgery or falsification of the content or appearance of this document is unlawful and offenders may be prosecuted to the fullest extent of the law.

Notebook mode
**Tx5-WCDMA Band II / Band IV / Band V - HSDPA / HSUPA / HSPA+ / DC-HSDPA
conducted power table:**
Unit: dBm

Band		WCDMA II		
TX Channel		9262	9400	9538
Frequency (MHz)		1852.4	1880	1907.6
Max. Rated Avg. Power+Max. Tolerance (dBm)		18.40		
3GPP Rel 99	RMC 12.2Kbps	18.40	18.32	18.25
3GPP Rel 5	HSDPA Subtest-1	18.24	18.15	18.07
	HSDPA Subtest-2	18.05	18.05	18.07
	HSDPA Subtest-3	18.14	18.06	18.14
	HSDPA Subtest-4	18.10	18.19	18.08
3GPP Rel 6	HSUPA Subtest-1	18.22	18.18	18.06
	HSUPA Subtest-2	18.08	18.16	18.15
	HSUPA Subtest-3	18.21	18.20	18.19
	HSUPA Subtest-4	18.04	18.03	18.19
	HSUPA Subtest-5	18.08	18.05	18.13
3GPP Rel 7	HSPA+	18.22	18.14	18.07
3GPP Rel 8	DC-HSDPA Subtest-1	18.16	18.14	18.16
	DC-HSDPA Subtest-2	18.09	18.21	18.14
	DC-HSDPA Subtest-3	18.18	18.16	18.08
	DC-HSDPA Subtest-4	18.14	18.12	18.03

Band		WCDMA IV		
TX Channel		1312	1412	1513
Frequency (MHz)		1712.4	1732.4	1752.6
Max. Rated Avg. Power+Max. Tolerance (dBm)		19.40		
3GPP Rel 99	RMC 12.2Kbps	19.36	19.37	19.39
3GPP Rel 5	HSDPA Subtest-1	19.33	19.16	19.18
	HSDPA Subtest-2	19.25	19.17	19.25
	HSDPA Subtest-3	19.21	19.30	19.19
	HSDPA Subtest-4	19.33	19.29	19.17
3GPP Rel 6	HSUPA Subtest-1	19.19	19.27	19.26
	HSUPA Subtest-2	19.32	19.31	19.30
	HSUPA Subtest-3	19.15	19.14	19.31
	HSUPA Subtest-4	19.19	19.16	19.25
	HSUPA Subtest-5	19.33	19.25	19.18
3GPP Rel 7	HSPA+	19.27	19.22	19.27
3GPP Rel 8	DC-HSDPA Subtest-1	19.20	19.32	19.25
	DC-HSDPA Subtest-2	19.29	19.27	19.19
	DC-HSDPA Subtest-3	19.25	19.23	19.14
	DC-HSDPA Subtest-4	19.33	19.21	19.25

Band		WCDMA V		
TX Channel		4132	4183	4233
Frequency (MHz)		826.4	836.6	846.6
Max. Rated Avg. Power+Max. Tolerance (dBm)		23.90		
3GPP Rel 99	RMC 12.2Kbps	23.75	23.77	23.82
3GPP Rel 5	HSDPA Subtest-1	23.60	23.69	23.68
	HSDPA Subtest-2	23.57	23.58	23.67
	HSDPA Subtest-3	23.13	23.20	23.30
	HSDPA Subtest-4	23.19	23.23	23.19
3GPP Rel 6	HSUPA Subtest-1	23.69	23.65	23.63
	HSUPA Subtest-2	21.59	21.72	21.71
	HSUPA Subtest-3	22.54	22.67	22.79
	HSUPA Subtest-4	21.62	21.67	21.78
	HSUPA Subtest-5	23.68	23.66	23.63
3GPP Rel 7	HSPA+	23.61	23.62	23.80
3GPP Rel 8	DC-HSDPA Subtest-1	23.54	23.74	23.67
	DC-HSDPA Subtest-2	23.62	23.72	23.75
	DC-HSDPA Subtest-3	23.11	23.18	23.22
	DC-HSDPA Subtest-4	23.04	23.08	23.11

Unless otherwise stated the results shown in this test report refer only to the sample(s) tested and such sample(s) are retained for 90 days only.

除非另有說明，此報告結果僅對測試之樣品負責，同時此樣品僅保留90天。本報告未經本公司書面許可，不可部份複製。

 This document is issued by the Company subject to its General Conditions of Service printed overleaf, available on request or accessible at <http://www.sgs.com.tw/Terms-and-Conditions> and for electronic format documents, subject to Terms and Conditions for Electronic Documents at <http://www.sgs.com.tw/Terms-and-Conditions>. Attention is drawn to the limitation of liability, indemnification and jurisdiction issues defined therein. Any holder of this document is advised that information contained hereon reflects the Company's findings at the time of its intervention only and within the limits of Client's instructions, if any. The Company's sole responsibility is to its Client and this document does not exonerate parties to a transaction from exercising all their rights and obligations under the transaction documents. This document cannot be reproduced except in full, without prior written approval of the Company. Any unauthorized alteration, forgery or falsification of the content or appearance of this document is unlawful and offenders may be prosecuted to the fullest extent of the law.

Sub-Test for HSDPA

SUB-TEST	β_c	β_d	β_d (SF)	β_c/β_d	β_{HS} (Note 1, Note 2)	CM (dB) (Note 3)	MPR (dB) (Note 3)
1	2/15	15/15	64	2/15	4/15	0.0	0.0
2	12/15	15/15	64	12/15	24/15	1.0	0.0
3	15/15	8/15	64	15/8	30/15	1.5	0.5
4	15/15	4/15	64	15/4	30/15	1.5	0.5

Sub-Test for HSUPA

SUB-TEST	β_c	β_d	β_d (SF)	β_c/β_d	β_{HS} (Note 1)	β_{ec}	β_{ed} (Note 5) (Note 6)	β_{ed} (SF)	β_{ed} (Codes)	CM (dB) (Note 2)	MPR (dB) (Note 2)	AG Index (Note 6)	E-TFCI
1	11/15	15/15	64	11/15	22/15	209/225	1309/225	4	1	1.0	0.0	20	75
2	6/15	15/15	64	6/15	12/15	12/15	94/75	4	1	3.0	2.0	12	67
3	15/15	9/15	64	15/9	30/15	30/15	β_{ed1} : 47/15 β_{ed2} : 47/15	4 4	2	2.0	1.0	15	92
4	2/15	15/15	64	2/15	4/15	2/15	56/75	4	1	3.0	2.0	17	71
5	15/15	15/15	64	15/15	30/15	24/15	134/15	4	1	1.0	0.0	21	81

Unless otherwise stated the results shown in this test report refer only to the sample(s) tested and such sample(s) are retained for 90 days only.

除非另有說明，此報告結果僅對測試之樣品負責，同時此樣品僅保留90天。本報告未經本公司書面許可，不可部份複製。

This document is issued by the Company subject to its General Conditions of Service printed overleaf, available on request or accessible at <http://www.sgs.com.tw/Terms-and-Conditions> and for electronic format documents, subject to Terms and Conditions for Electronic Documents at <http://www.sgs.com.tw/Terms-and-Conditions>. Attention is drawn to the limitation of liability, indemnification and jurisdiction issues defined therein. Any holder of this document is advised that information contained hereon reflects the Company's findings at the time of its intervention only and within the limits of Client's instructions, if any. The Company's sole responsibility is to its Client and this document does not exonerate parties to a transaction from exercising all their rights and obligations under the transaction documents. This document cannot be reproduced except in full, without prior written approval of the Company. Any unauthorized alteration, forgery or falsification of the content or appearance of this document is unlawful and offenders may be prosecuted to the fullest extent of the law.

Notebook mode

Tx5-LTE FDD Band 2 / Band 4 / Band 5 / Band 7 / Band 12 / Band 13 / Band 14 / Band 17 / Band 25 / Band 26 / Band 30 / Band 66 power table:

LTE Band 2								
BW(Mhz)	Modulation	RB Size	RB Offset	Conducted power (dBm)			Target Power + Max. Tolerance (dBm)	MPR Allowed per 3GPP(dB)
Frequency (MHz)			1860	1880	1900			
Channel			18700	18900	19100			
20	QPSK	1	0	18.42	18.39	18.46	18.50	0
		1	50	18.31	18.32	18.34	18.50	0
		1	99	18.23	18.26	18.28	18.50	0
		50	0	18.19	18.20	18.25	18.50	0
		50	25	18.35	18.21	18.37	18.50	0
		50	50	18.34	18.29	18.28	18.50	0
	100	0	18.25	18.19	18.26	18.50	0	
	16-QAM	1	0	18.25	18.32	18.29	18.50	0
		1	50	18.37	18.31	18.35	18.50	0
		1	99	18.22	18.30	18.28	18.50	0
		50	0	18.32	18.29	18.36	18.50	0
		50	25	18.34	18.20	18.37	18.50	0
		50	50	18.29	18.36	18.23	18.50	0
	100	0	18.34	18.29	18.25	18.50	0	
	64-QAM	1	0	18.25	18.31	18.23	18.50	0
		1	50	18.31	18.29	18.33	18.50	0
		1	99	18.20	18.21	18.32	18.50	0
		50	0	18.33	18.26	18.22	18.50	0
		50	25	18.30	18.20	18.37	18.50	0
		50	50	18.26	18.33	18.28	18.50	0
	100	0	18.33	18.28	18.24	18.50	0	
	256-QAM	1	0	18.25	18.20	18.36	18.50	0
		1	50	18.26	18.27	18.20	18.50	0
		1	99	18.28	18.26	18.25	18.50	0
50		0	18.31	18.34	18.29	18.50	0	
50		25	18.26	18.22	18.21	18.50	0	
50		50	18.26	18.23	18.23	18.50	0	
100	0	18.42	18.41	18.37	18.50	0		
Frequency (MHz)			1857.5	1880	1902.5	Target Power + Max. Tolerance (dBm)	MPR Allowed per 3GPP(dB)	
Channel			18675	18900	19125			
15	QPSK	1	0	18.48	18.38	18.37	18.50	0
		1	36	18.49	18.42	18.49	18.50	0
		1	74	18.39	18.49	18.48	18.50	0
		36	0	18.41	18.32	18.47	18.50	0
		36	18	18.32	18.32	18.45	18.50	0
		36	37	18.50	18.42	18.46	18.50	0
	75	0	18.42	18.46	18.38	18.50	0	
	16-QAM	1	0	18.40	18.38	18.37	18.50	0
		1	36	18.50	18.39	18.47	18.50	0
		1	74	18.36	18.50	18.49	18.50	0
		36	0	18.33	18.34	18.39	18.50	0
		36	18	18.47	18.46	18.40	18.50	0
		36	37	18.35	18.47	18.48	18.50	0
	75	0	18.42	18.42	18.33	18.50	0	
	64-QAM	1	0	18.33	18.34	18.44	18.50	0
		1	36	18.35	18.43	18.37	18.50	0
		1	74	18.50	18.42	18.38	18.50	0
		36	0	18.36	18.35	18.45	18.50	0
		36	18	18.41	18.36	18.43	18.50	0
		36	37	18.44	18.44	18.39	18.50	0
	75	0	18.39	18.47	18.47	18.50	0	
	256-QAM	1	0	18.35	18.31	18.35	18.50	0
		1	36	18.49	18.44	18.38	18.50	0
		1	74	18.42	18.34	18.45	18.50	0
36		0	18.46	18.46	18.31	18.50	0	
36		18	18.35	18.41	18.32	18.50	0	
36		37	18.49	18.31	18.44	18.50	0	
75	0	18.41	18.35	18.44	18.50	0		

Unless otherwise stated the results shown in this test report refer only to the sample(s) tested and such sample(s) are retained for 90 days only.

除非另有說明，此報告結果僅對測試之樣品負責，同時此樣品僅保留90天。本報告未經本公司書面許可，不可部份複製。

This document is issued by the Company subject to its General Conditions of Service printed overleaf, available on request or accessible at <http://www.sgs.com.tw/Terms-and-Conditions> and for electronic format documents, subject to Terms and Conditions for Electronic Documents at <http://www.sgs.com.tw/Terms-and-Conditions>. Attention is drawn to the limitation of liability, indemnification and jurisdiction issues defined therein. Any holder of this document is advised that information contained hereon reflects the Company's findings at the time of its intervention only and within the limits of Client's instructions, if any. The Company's sole responsibility is to its Client and this document does not exonerate parties to a transaction from exercising all their rights and obligations under the transaction documents. This document cannot be reproduced except in full, without prior written approval of the Company. Any unauthorized alteration, forgery or falsification of the content or appearance of this document is unlawful and offenders may be prosecuted to the fullest extent of the law.

LTE Band 2									
BW(Mhz)	Modulation	RB Size	RB Offset	Conducted power (dBm)			Target Power + Max. Tolerance (dBm)	MPR Allowed per 3GPP(dB)	
Frequency (MHz)			1855	1880	1905				
Channel			18650	18900	19150				
10	QPSK	1	0	18.32	18.37	18.41	18.50	0	
		1	25	18.38	18.33	18.42	18.50	0	
		1	49	18.35	18.34	18.45	18.50	0	
		25	0	18.48	18.50	18.49	18.50	0	
		25	12	18.45	18.45	18.48	18.50	0	
		25	25	18.39	18.33	18.38	18.50	0	
	16-QAM	50	0	18.40	18.48	18.49	18.50	0	
		1	0	18.48	18.35	18.45	18.50	0	
		1	25	18.38	18.43	18.36	18.50	0	
		1	49	18.40	18.49	18.40	18.50	0	
		25	0	18.43	18.44	18.43	18.50	0	
		25	12	18.32	18.39	18.36	18.50	0	
	64-QAM	25	25	18.36	18.35	18.44	18.50	0	
		50	0	18.37	18.44	18.35	18.50	0	
		1	0	18.46	18.50	18.47	18.50	0	
		1	25	18.35	18.33	18.42	18.50	0	
		1	49	18.47	18.50	18.41	18.50	0	
		25	0	18.45	18.39	18.37	18.50	0	
	256-QAM	25	12	18.50	18.31	18.34	18.50	0	
		25	25	18.31	18.43	18.36	18.50	0	
		50	0	18.43	18.35	18.37	18.50	0	
		1	0	18.43	18.32	18.33	18.50	0	
		1	25	18.38	18.47	18.31	18.50	0	
		1	49	18.41	18.33	18.37	18.50	0	
	Frequency (MHz)			1852.5	1880	1907.5	Target Power + Max. Tolerance (dBm)	MPR Allowed per 3GPP(dB)	
	Channel			18625	18900	19175			
	5	QPSK	1	0	18.42	18.40			18.33
			1	12	18.46	18.35	18.25	18.50	0
			1	24	18.48	18.31	18.48	18.50	0
			12	0	18.40	18.36	18.42	18.50	0
12			6	18.47	18.43	18.31	18.50	0	
12			13	18.32	18.31	18.39	18.50	0	
16-QAM		25	0	18.46	18.34	18.31	18.50	0	
		1	0	18.40	18.41	18.41	18.50	0	
		1	12	18.44	18.46	18.47	18.50	0	
		1	24	18.35	18.48	18.37	18.50	0	
		12	0	18.21	18.47	18.34	18.50	0	
		12	6	18.40	18.47	18.42	18.50	0	
64-QAM		12	13	18.38	18.43	18.36	18.50	0	
		25	0	18.35	18.40	18.33	18.50	0	
		1	0	18.38	18.38	18.43	18.50	0	
		1	12	18.32	18.36	18.42	18.50	0	
		1	24	18.34	18.40	18.42	18.50	0	
		12	0	18.45	18.48	18.35	18.50	0	
256-QAM		12	6	18.38	18.48	18.44	18.50	0	
		12	13	18.50	18.43	18.37	18.50	0	
		25	0	18.39	18.32	18.38	18.50	0	
		1	0	18.41	18.48	18.48	18.50	0	
		1	12	18.38	18.40	18.43	18.50	0	
		1	24	18.32	18.43	18.46	18.50	0	
12		0	18.34	18.38	18.37	18.50	0		
12		6	18.43	18.47	18.37	18.50	0		
12		13	18.45	18.45	18.35	18.50	0		
25		0	18.47	18.46	18.33	18.50	0		

Unless otherwise stated the results shown in this test report refer only to the sample(s) tested and such sample(s) are retained for 90 days only.

除非另有說明，此報告結果僅對測試之樣品負責，同時此樣品僅保留90天。本報告未經本公司書面許可，不可部份複製。

This document is issued by the Company subject to its General Conditions of Service printed overleaf, available on request or accessible at <http://www.sgs.com.tw/Terms-and-Conditions> and for electronic format documents, subject to Terms and Conditions for Electronic Documents at <http://www.sgs.com.tw/Terms-and-Conditions>. Attention is drawn to the limitation of liability, indemnification and jurisdiction issues defined therein. Any holder of this document is advised that information contained hereon reflects the Company's findings at the time of its intervention only and within the limits of Client's instructions, if any. The Company's sole responsibility is to its Client and this document does not exonerate parties to a transaction from exercising all their rights and obligations under the transaction documents. This document cannot be reproduced except in full, without prior written approval of the Company. Any unauthorized alteration, forgery or falsification of the content or appearance of this document is unlawful and offenders may be prosecuted to the fullest extent of the law.

LTE Band 4											
BW(Mhz)	Modulation	RB Size	RB Offset	Conducted power (dBm)			Target Power + Max. Tolerance (dBm)	MPR Allowed per 3GPP(dB)			
Frequency (MHz)				1720	1732.5	1745					
Channel				20050	20175	20300					
20	QPSK	1	0	18.12	18.18	18.15	18.20	0			
		1	50	18.00	18.09	17.98	18.20	0			
		1	99	17.97	17.95	17.92	18.20	0			
		50	0	18.06	18.11	18.02	18.20	0			
		50	25	18.05	18.01	18.01	18.20	0			
		50	50	17.93	18.10	17.97	18.20	0			
	16-QAM	100	0	17.97	18.00	18.09	18.20	0			
		1	0	18.06	17.99	18.00	18.20	0			
		1	50	17.92	18.06	17.94	18.20	0			
		1	99	18.00	18.00	18.07	18.20	0			
		50	0	18.07	17.95	17.99	18.20	0			
		50	25	18.10	18.10	18.02	18.20	0			
	64-QAM	50	50	17.96	18.11	18.05	18.20	0			
		100	0	18.09	17.98	18.11	18.20	0			
		1	0	17.95	18.06	18.02	18.20	0			
		1	50	18.11	18.03	18.06	18.20	0			
		1	99	18.08	18.05	18.08	18.20	0			
		50	0	17.96	17.94	17.97	18.20	0			
	256-QAM	50	25	18.02	18.09	18.08	18.20	0			
		50	50	18.00	18.04	17.92	18.20	0			
		100	0	18.07	18.01	17.96	18.20	0			
		1	0	17.92	17.93	18.06	18.20	0			
		1	50	17.93	18.00	17.95	18.20	0			
		1	99	17.96	18.02	17.99	18.20	0			
	15	QPSK	50	0	18.06	17.92	17.92	18.20	0		
			50	25	17.95	18.11	18.07	18.20	0		
			50	50	18.05	18.00	17.98	18.20	0		
			100	0	17.96	18.12	18.09	18.20	0		
			Frequency (MHz)				1717.5	1732.5	1747.5	Target Power + Max. Tolerance (dBm)	MPR Allowed per 3GPP(dB)
			Channel				20025	20175	20325		
15		QPSK	1	0	18.00	17.95	17.93	18.20	0		
			1	36	17.97	18.04	17.95	18.20	0		
			1	74	17.99	17.95	17.92	18.20	0		
			36	0	18.00	17.97	18.02	18.20	0		
			36	18	18.06	17.93	18.07	18.20	0		
			36	37	18.08	17.97	18.00	18.20	0		
		16-QAM	75	0	17.99	18.02	18.04	18.20	0		
			1	0	18.09	17.93	17.99	18.20	0		
			1	36	18.06	17.98	18.07	18.20	0		
			1	74	18.06	17.95	18.01	18.20	0		
			36	0	18.04	17.93	18.08	18.20	0		
			36	18	18.03	18.11	18.09	18.20	0		
		64-QAM	36	37	17.92	17.97	18.00	18.20	0		
			75	0	17.98	18.01	17.93	18.20	0		
			1	0	18.07	17.99	18.09	18.20	0		
			1	36	18.10	17.98	17.97	18.20	0		
			1	74	18.06	18.04	18.11	18.20	0		
			36	0	18.05	18.03	17.98	18.20	0		
		256-QAM	36	18	17.92	17.94	18.03	18.20	0		
			36	37	18.01	18.00	18.08	18.20	0		
			75	0	17.98	18.07	17.97	18.20	0		
			1	0	18.02	18.05	17.92	18.20	0		
			1	36	18.10	17.95	18.01	18.20	0		
			1	74	18.09	18.09	18.10	18.20	0		

Unless otherwise stated the results shown in this test report refer only to the sample(s) tested and such sample(s) are retained for 90 days only.

除非另有說明，此報告結果僅對測試之樣品負責，同時此樣品僅保留90天。本報告未經本公司書面許可，不可部份複製。

This document is issued by the Company subject to its General Conditions of Service printed overleaf, available on request or accessible at <http://www.sgs.com.tw/Terms-and-Conditions> and for electronic format documents, subject to Terms and Conditions for Electronic Documents at <http://www.sgs.com.tw/Terms-and-Conditions>. Attention is drawn to the limitation of liability, indemnification and jurisdiction issues defined therein. Any holder of this document is advised that information contained hereon reflects the Company's findings at the time of its intervention only and within the limits of Client's instructions, if any. The Company's sole responsibility is to its Client and this document does not exonerate parties to a transaction from exercising all their rights and obligations under the transaction documents. This document cannot be reproduced except in full, without prior written approval of the Company. Any unauthorized alteration, forgery or falsification of the content or appearance of this document is unlawful and offenders may be prosecuted to the fullest extent of the law.

LTE Band 4									
BW(Mhz)	Modulation	RB Size	RB Offset	Conducted power (dBm)			Target Power + Max. Tolerance (dBm)	MPR Allowed per 3GPP(dB)	
Frequency (MHz)			1715	1732.5	1750				
Channel			20000	20175	20350				
10	QPSK	1	0	18.05	17.95	17.92	18.20	0	
		1	25	17.99	17.93	18.06	18.20	0	
		1	49	17.96	18.05	17.97	18.20	0	
		25	0	18.05	17.94	18.00	18.20	0	
		25	12	17.93	18.03	18.01	18.20	0	
		25	25	18.11	18.03	18.03	18.20	0	
	16-QAM	50	0	17.98	18.06	17.99	18.20	0	
		1	0	17.93	17.93	18.02	18.20	0	
		1	25	18.10	18.03	18.04	18.20	0	
		1	49	17.92	17.93	18.06	18.20	0	
		25	0	18.09	18.02	18.06	18.20	0	
		25	12	17.97	18.03	18.04	18.20	0	
	64-QAM	25	25	18.10	17.98	17.96	18.20	0	
		50	0	18.00	17.96	17.93	18.20	0	
		1	0	17.93	18.03	18.07	18.20	0	
		1	25	17.96	17.98	17.98	18.20	0	
		1	49	17.97	18.11	18.09	18.20	0	
		25	0	17.95	18.10	18.02	18.20	0	
	256-QAM	25	12	18.00	18.06	17.92	18.20	0	
		25	25	18.08	18.09	17.98	18.20	0	
		50	0	17.95	18.03	18.00	18.20	0	
		1	0	18.00	18.04	17.99	18.20	0	
		1	25	17.94	18.09	17.96	18.20	0	
		1	49	18.11	18.03	18.02	18.20	0	
	Frequency (MHz)			1712.5	1732.5	1752.5	Target Power + Max. Tolerance (dBm)	MPR Allowed per 3GPP(dB)	
	Channel			19975	20175	20375			
	5	QPSK	1	0	17.97	18.03	18.06	18.20	0
			1	12	17.99	17.99	18.10	18.20	0
			1	24	17.94	17.92	18.11	18.20	0
			12	0	17.97	17.93	18.06	18.20	0
12			6	17.94	18.03	17.96	18.20	0	
12			13	18.03	17.93	17.95	18.20	0	
16-QAM		25	0	17.99	17.92	17.95	18.20	0	
		1	0	18.01	17.93	17.98	18.20	0	
		1	12	17.93	17.94	18.08	18.20	0	
		1	24	18.05	18.00	18.00	18.20	0	
		12	0	17.93	18.11	17.96	18.20	0	
		12	6	18.10	17.96	18.03	18.20	0	
64-QAM		12	13	17.98	17.99	17.92	18.20	0	
		25	0	17.92	17.92	18.06	18.20	0	
		1	0	18.01	18.01	17.99	18.20	0	
		1	12	18.04	18.06	18.07	18.20	0	
		1	24	17.96	18.10	18.01	18.20	0	
		12	0	18.06	17.99	17.98	18.20	0	
256-QAM		12	6	17.96	18.01	17.98	18.20	0	
		12	13	18.11	17.94	18.02	18.20	0	
		25	0	18.08	17.95	18.08	18.20	0	
		1	0	17.96	18.11	18.00	18.20	0	
		1	12	17.97	17.95	18.03	18.20	0	
		1	24	18.02	18.07	18.01	18.20	0	
Frequency (MHz)			1712.5	1732.5	1752.5	Target Power + Max. Tolerance (dBm)	MPR Allowed per 3GPP(dB)		
Channel			19975	20175	20375				
5	QPSK	1	0	17.97	17.94	17.95	18.20	0	
		1	12	17.99	17.99	18.10	18.20	0	
		1	24	17.94	17.92	18.11	18.20	0	
		12	0	17.97	17.93	18.06	18.20	0	
	16-QAM	12	6	17.94	18.03	17.96	18.20	0	
		12	13	18.03	17.93	17.95	18.20	0	
		25	0	17.99	17.92	17.95	18.20	0	
		1	0	18.01	17.93	17.98	18.20	0	
	64-QAM	1	12	17.93	17.94	18.08	18.20	0	
		1	24	18.05	18.00	18.00	18.20	0	
		12	0	17.93	18.11	17.96	18.20	0	
		12	6	18.10	17.96	18.03	18.20	0	
256-QAM	12	13	17.98	17.99	17.92	18.20	0		
	25	0	17.92	17.92	18.06	18.20	0		
	1	0	18.01	18.01	17.99	18.20	0		
	1	12	18.04	18.06	18.07	18.20	0		
Frequency (MHz)			1712.5	1732.5	1752.5	Target Power + Max. Tolerance (dBm)	MPR Allowed per 3GPP(dB)		
Channel			19975	20175	20375				
5	QPSK	1	0	17.96	18.11	18.00	18.20	0	
		1	12	17.97	17.95	18.03	18.20	0	
		1	24	18.02	18.07	18.01	18.20	0	
		12	0	18.08	17.98	18.05	18.20	0	
	16-QAM	12	6	17.94	18.07	18.04	18.20	0	
		12	13	17.93	18.04	18.01	18.20	0	
		25	0	17.97	17.94	17.95	18.20	0	
		1	0	18.00	18.04	17.99	18.20	0	

Unless otherwise stated the results shown in this test report refer only to the sample(s) tested and such sample(s) are retained for 90 days only.

除非另有說明，此報告結果僅對測試之樣品負責，同時此樣品僅保留90天。本報告未經本公司書面許可，不可部份複製。

This document is issued by the Company subject to its General Conditions of Service printed overleaf, available on request or accessible at <http://www.sgs.com.tw/Terms-and-Conditions> and for electronic format documents, subject to Terms and Conditions for Electronic Documents at <http://www.sgs.com.tw/Terms-and-Conditions>. Attention is drawn to the limitation of liability, indemnification and jurisdiction issues defined therein. Any holder of this document is advised that information contained hereon reflects the Company's findings at the time of its intervention only and within the limits of Client's instructions, if any. The Company's sole responsibility is to its Client and this document does not exonerate parties to a transaction from exercising all their rights and obligations under the transaction documents. This document cannot be reproduced except in full, without prior written approval of the Company. Any unauthorized alteration, forgery or falsification of the content or appearance of this document is unlawful and offenders may be prosecuted to the fullest extent of the law.

LTE Band 4									
BW(Mhz)	Modulation	RB Size	RB Offset	Conducted power (dBm)			Target Power + Max. Tolerance (dBm)	MPR Allowed per 3GPP(dB)	
Frequency (MHz)			1711.5	1732.5	1753.5				
Channel			19965	20175	20385				
3	QPSK	1	0	17.98	18.10	18.05	18.20	0	
		1	7	17.95	18.02	18.05	18.20	0	
		1	14	17.98	18.06	18.02	18.20	0	
		8	0	18.03	18.11	17.94	18.20	0	
		8	4	18.07	18.00	18.05	18.20	0	
		8	7	18.02	18.02	18.01	18.20	0	
	16-QAM	15	0	17.99	18.08	17.99	18.20	0	
		1	0	18.07	17.95	17.98	18.20	0	
		1	7	18.03	18.08	17.92	18.20	0	
		1	14	18.04	17.95	18.09	18.20	0	
		8	0	17.93	18.11	18.08	18.20	0	
		8	4	17.94	17.94	17.93	18.20	0	
	64-QAM	8	7	17.99	17.98	17.99	18.20	0	
		15	0	18.02	18.09	18.04	18.20	0	
		1	0	17.96	18.05	17.98	18.20	0	
		1	7	18.04	18.03	17.98	18.20	0	
		1	14	17.95	18.10	18.03	18.20	0	
		8	0	18.08	17.92	17.97	18.20	0	
	256-QAM	8	4	18.09	17.96	17.96	18.20	0	
		8	7	18.00	17.93	18.01	18.20	0	
		15	0	17.99	18.00	17.95	18.20	0	
		1	0	17.93	18.10	17.93	18.20	0	
		1	7	18.04	17.99	17.92	18.20	0	
		1	14	17.98	18.06	17.96	18.20	0	
	1.4	QPSK	8	0	18.06	18.03	18.09	18.20	0
			8	4	18.00	17.93	18.01	18.20	0
			8	7	18.06	18.06	18.07	18.20	0
			15	0	17.96	18.11	18.00	18.20	0
			1	0	18.04	17.97	18.10	18.20	0
			1	2	17.99	17.92	18.07	18.20	0
16-QAM		1	5	18.00	17.98	18.10	18.20	0	
		3	0	18.11	17.97	18.04	18.20	0	
		3	2	18.03	18.06	17.92	18.20	0	
		3	3	18.11	18.08	17.98	18.20	0	
		6	0	17.99	18.11	18.11	18.20	0	
		1	0	18.06	18.02	18.05	18.20	0	
64-QAM		1	2	18.06	18.00	18.02	18.20	0	
		1	5	18.04	18.00	18.02	18.20	0	
		3	0	17.99	18.04	17.99	18.20	0	
		3	2	17.94	17.96	18.08	18.20	0	
		3	3	18.02	18.09	17.92	18.20	0	
		6	0	17.93	18.04	17.95	18.20	0	
256-QAM		1	0	17.92	18.00	18.03	18.20	0	
		1	2	18.03	18.10	17.95	18.20	0	
		1	5	18.03	18.06	17.94	18.20	0	
		3	0	18.01	18.11	18.04	18.20	0	
		3	2	18.03	18.07	18.09	18.20	0	
		3	3	18.07	18.05	17.97	18.20	0	
256-QAM		6	0	17.97	18.07	17.95	18.20	0	
		1	0	18.03	17.93	17.99	18.20	0	
		1	2	18.08	18.11	17.92	18.20	0	
		1	5	17.93	18.09	18.10	18.20	0	
		3	0	18.05	18.04	18.09	18.20	0	
		3	2	18.09	17.93	18.06	18.20	0	
256-QAM	3	3	17.96	17.93	17.98	18.20	0		
	6	0	17.97	17.94	18.05	18.20	0		

Unless otherwise stated the results shown in this test report refer only to the sample(s) tested and such sample(s) are retained for 90 days only.

除非另有說明，此報告結果僅對測試之樣品負責，同時此樣品僅保留90天。本報告未經本公司書面許可，不可部份複製。

This document is issued by the Company subject to its General Conditions of Service printed overleaf, available on request or accessible at <http://www.sgs.com.tw/Terms-and-Conditions> and for electronic format documents, subject to Terms and Conditions for Electronic Documents at <http://www.sgs.com.tw/Terms-and-Conditions>. Attention is drawn to the limitation of liability, indemnification and jurisdiction issues defined therein. Any holder of this document is advised that information contained hereon reflects the Company's findings at the time of its intervention only and within the limits of Client's instructions, if any. The Company's sole responsibility is to its Client and this document does not exonerate parties to a transaction from exercising all their rights and obligations under the transaction documents. This document cannot be reproduced except in full, without prior written approval of the Company. Any unauthorized alteration, forgery or falsification of the content or appearance of this document is unlawful and offenders may be prosecuted to the fullest extent of the law.

LTE Band 5										
BW(Mhz)	Modulation	RB Size	RB Offset	Conducted power (dBm)			Target Power + Max. Tolerance (dBm)	MPR Allowed per 3GPP(dB)		
Frequency (MHz)			829	836.5	844					
Channel			20450	20525	20600					
10	QPSK	1	0	24.14	24.17	24.10	24.50	0		
		1	25	24.04	23.97	24.08	24.50	0		
		1	49	24.07	24.02	24.01	24.50	0		
		25	0	22.95	23.12	23.04	23.50	0-1		
		25	12	22.97	23.09	22.95	23.50	0-1		
		25	25	22.99	22.94	22.98	23.50	0-1		
	16-QAM	50	0	22.99	23.13	23.08	23.50	0-1		
		1	0	23.05	22.94	23.05	23.50	0-1		
		1	25	23.06	23.01	23.00	23.50	0-1		
		1	49	23.02	22.98	23.05	23.50	0-1		
		25	0	22.07	22.04	22.10	22.50	0-2		
		25	12	22.11	22.11	21.94	22.50	0-2		
	64-QAM	25	25	21.98	21.99	22.04	22.50	0-2		
		50	0	22.03	22.05	21.97	22.50	0-2		
		1	0	22.10	22.10	21.98	22.50	0-2		
		1	25	22.10	22.00	21.99	22.50	0-2		
		1	49	22.06	21.96	22.00	22.50	0-2		
		25	0	21.08	20.95	21.10	21.50	0-3		
	256-QAM	25	12	21.01	21.06	20.94	21.50	0-3		
		25	25	21.13	21.08	21.09	21.50	0-3		
		50	0	21.13	21.12	20.98	21.50	0-3		
		1	0	18.96	18.98	19.13	19.50	0-5		
		1	25	19.04	18.94	19.05	19.50	0-5		
		1	49	19.11	19.02	19.02	19.50	0-5		
	5	QPSK	25	0	19.09	18.94	18.99	19.50	0-5	
			25	12	19.12	19.12	18.94	19.50	0-5	
			25	25	19.05	19.03	19.05	19.50	0-5	
			50	0	18.98	19.03	19.00	19.50	0-5	
			Frequency (MHz)			826.5	836.5	846.5	Target Power + Max. Tolerance (dBm)	MPR Allowed per 3GPP(dB)
			Channel			20425	20525	20625		
5		QPSK	1	0	23.99	24.13	23.98	24.50	0	
			1	12	24.10	23.99	24.11	24.50	0	
			1	24	24.11	24.12	24.12	24.50	0	
			12	0	23.01	22.94	22.99	23.50	0-1	
			12	6	23.03	23.13	22.97	23.50	0-1	
			12	13	22.96	23.03	22.95	23.50	0-1	
		16-QAM	25	0	22.99	23.08	22.95	23.50	0-1	
			1	0	23.09	23.00	23.02	23.50	0-1	
			1	12	23.03	23.06	22.98	23.50	0-1	
			1	24	22.97	23.04	23.08	23.50	0-1	
			12	0	22.07	22.09	22.09	22.50	0-2	
			12	6	22.00	22.05	21.97	22.50	0-2	
		64-QAM	12	13	22.09	22.06	22.05	22.50	0-2	
			25	0	22.10	22.08	22.01	22.50	0-2	
			1	0	22.08	22.12	22.13	22.50	0-2	
			1	12	21.95	22.00	22.00	22.50	0-2	
			1	24	22.04	22.06	21.94	22.50	0-2	
			12	0	20.94	20.96	21.13	21.50	0-3	
		256-QAM	12	6	21.11	21.06	21.08	21.50	0-3	
			12	13	21.09	20.95	21.02	21.50	0-3	
			25	0	21.11	21.02	21.09	21.50	0-3	
			1	0	19.09	19.03	19.13	19.50	0-5	
			1	12	19.12	19.03	18.99	19.50	0-5	
			1	24	19.00	19.13	19.09	19.50	0-5	
	256-QAM	12	0	19.08	18.98	18.96	19.50	0-5		
		12	6	19.05	19.03	18.99	19.50	0-5		
		12	13	18.95	18.99	19.03	19.50	0-5		
		25	0	18.94	19.12	19.09	19.50	0-5		

Unless otherwise stated the results shown in this test report refer only to the sample(s) tested and such sample(s) are retained for 90 days only.

除非另有說明，此報告結果僅對測試之樣品負責，同時此樣品僅保留90天。本報告未經本公司書面許可，不可部份複製。

This document is issued by the Company subject to its General Conditions of Service printed overleaf, available on request or accessible at <http://www.sgs.com.tw/Terms-and-Conditions> and for electronic format documents, subject to Terms and Conditions for Electronic Documents at <http://www.sgs.com.tw/Terms-and-Conditions>. Attention is drawn to the limitation of liability, indemnification and jurisdiction issues defined therein. Any holder of this document is advised that information contained hereon reflects the Company's findings at the time of its intervention only and within the limits of Client's instructions, if any. The Company's sole responsibility is to its Client and this document does not exonerate parties to a transaction from exercising all their rights and obligations under the transaction documents. This document cannot be reproduced except in full, without prior written approval of the Company. Any unauthorized alteration, forgery or falsification of the content or appearance of this document is unlawful and offenders may be prosecuted to the fullest extent of the law.

LTE Band 5										
BW(Mhz)	Modulation	RB Size	RB Offset	Conducted power (dBm)			Target Power + Max. Tolerance (dBm)	MPR Allowed per 3GPP(dB)		
Frequency (MHz)			825.5	836.5	847.5					
Channel			20415	20525	20635					
3	QPSK	1	0	23.98	23.94	23.96	24.50	0		
		1	7	24.05	23.99	23.94	24.50	0		
		1	14	24.00	23.98	24.01	24.50	0		
		8	0	22.98	23.00	23.08	23.50	0-1		
		8	4	22.98	23.00	23.06	23.50	0-1		
		8	7	22.99	23.07	23.01	23.50	0-1		
	16-QAM	15	0	22.98	22.99	23.06	23.50	0-1		
		1	0	23.04	23.03	22.96	23.50	0-1		
		1	7	23.06	22.96	23.12	23.50	0-1		
		1	14	23.12	23.13	23.00	23.50	0-1		
		8	0	22.13	22.08	22.10	22.50	0-2		
		8	4	21.94	21.99	22.12	22.50	0-2		
	64-QAM	8	7	21.98	22.07	22.11	22.50	0-2		
		15	0	22.00	22.13	21.97	22.50	0-2		
		1	0	22.08	21.97	22.08	22.50	0-2		
		1	7	22.02	22.05	22.00	22.50	0-2		
		1	14	22.02	22.05	21.99	22.50	0-2		
		8	0	20.98	21.10	21.05	21.50	0-3		
	256-QAM	8	4	20.95	21.05	21.00	21.50	0-3		
		8	7	21.03	20.99	21.00	21.50	0-3		
		15	0	20.99	21.04	20.96	21.50	0-3		
		1	0	19.09	18.97	18.99	19.50	0-5		
		1	7	19.06	19.08	18.96	19.50	0-5		
		1	14	19.13	18.98	19.12	19.50	0-5		
	1.4	QPSK	8	0	19.13	18.99	19.06	19.50	0-5	
			8	4	18.96	19.04	19.08	19.50	0-5	
			8	7	19.07	19.03	19.06	19.50	0-5	
			15	0	19.09	19.04	18.94	19.50	0-5	
			Frequency (MHz)			824.7	836.5	848.3	Target Power + Max. Tolerance (dBm)	MPR Allowed per 3GPP(dB)
			Channel			20407	20525	20643		
1.4		QPSK	1	0	24.05	24.11	23.95	24.50	0	
			1	2	24.02	24.04	24.01	24.50	0	
			1	5	24.12	24.09	24.12	24.50	0	
			3	0	23.03	22.99	23.07	23.50	0-1	
			3	2	23.00	23.04	23.07	23.50	0-1	
			3	3	22.98	23.12	22.94	23.50	0-1	
		16-QAM	6	0	23.08	23.10	22.94	23.50	0-1	
			1	0	23.01	23.00	23.04	23.50	0-1	
			1	2	23.04	22.97	23.00	23.50	0-1	
			1	5	23.02	22.95	23.08	23.50	0-1	
			3	0	21.95	21.96	21.97	22.50	0-2	
			3	2	22.05	22.10	22.12	22.50	0-2	
	64-QAM	3	3	22.11	22.13	22.09	22.50	0-2		
		6	0	22.13	22.00	21.98	22.50	0-2		
		1	0	22.08	21.97	21.99	22.50	0-2		
		1	2	22.04	21.98	22.02	22.50	0-2		
		1	5	21.94	22.09	22.03	22.50	0-2		
		3	0	20.94	21.02	21.05	21.50	0-3		
	256-QAM	3	2	21.05	21.03	21.07	21.50	0-3		
		3	3	21.11	21.11	21.00	21.50	0-3		
		6	0	20.99	20.99	20.95	21.50	0-3		
		1	0	19.01	19.04	19.11	19.50	0-5		
		1	2	18.96	19.07	18.96	19.50	0-5		
		1	5	18.98	19.06	18.96	19.50	0-5		
1.4	256-QAM	3	0	19.10	18.97	19.06	19.50	0-5		
		3	2	19.00	19.11	19.02	19.50	0-5		
		3	3	19.11	19.11	18.95	19.50	0-5		
	256-QAM	6	0	18.95	19.06	19.01	19.50	0-5		

Unless otherwise stated the results shown in this test report refer only to the sample(s) tested and such sample(s) are retained for 90 days only.

除非另有說明，此報告結果僅對測試之樣品負責，同時此樣品僅保留90天。本報告未經本公司書面許可，不可部份複製。

This document is issued by the Company subject to its General Conditions of Service printed overleaf, available on request or accessible at <http://www.sgs.com.tw/Terms-and-Conditions> and for electronic format documents, subject to Terms and Conditions for Electronic Documents at <http://www.sgs.com.tw/Terms-and-Conditions>. Attention is drawn to the limitation of liability, indemnification and jurisdiction issues defined therein. Any holder of this document is advised that information contained hereon reflects the Company's findings at the time of its intervention only and within the limits of Client's instructions, if any. The Company's sole responsibility is to its Client and this document does not exonerate parties to a transaction from exercising all their rights and obligations under the transaction documents. This document cannot be reproduced except in full, without prior written approval of the Company. Any unauthorized alteration, forgery or falsification of the content or appearance of this document is unlawful and offenders may be prosecuted to the fullest extent of the law.

LTE Band 7								
BW(Mhz)	Modulation	RB Size	RB Offset	Conducted power (dBm)			Target Power + Max. Tolerance (dBm)	MPR Allowed per 3GPP(dB)
Frequency (MHz)			2510	2535	2560			
Channel			20850	21100	21350			
20	QPSK	1	0	18.56	18.47	18.50	18.60	0
		1	50	18.29	18.44	18.41	18.60	0
		1	99	18.32	18.40	18.40	18.60	0
		50	0	18.35	18.43	18.39	18.60	0
		50	25	18.34	18.29	18.32	18.60	0
		50	50	18.44	18.30	18.35	18.60	0
	16-QAM	100	0	18.31	18.27	18.30	18.60	0
		1	0	18.27	18.32	18.27	18.60	0
		1	50	18.36	18.36	18.44	18.60	0
		1	99	18.30	18.29	18.43	18.60	0
		50	0	18.34	18.43	18.35	18.60	0
		50	25	18.36	18.31	18.40	18.60	0
	64-QAM	50	50	18.37	18.33	18.29	18.60	0
		100	0	18.28	18.37	18.41	18.60	0
		1	0	18.41	18.45	18.36	18.60	0
		1	50	18.43	18.37	18.38	18.60	0
		1	99	18.43	18.27	18.35	18.60	0
		50	0	18.33	18.42	18.38	18.60	0
	256-QAM	50	25	18.40	18.33	18.46	18.60	0
		50	50	18.43	18.41	18.44	18.60	0
		100	0	18.38	18.45	18.35	18.60	0
		1	0	18.40	18.33	18.27	18.60	0
		1	50	18.36	18.34	18.29	18.60	0
		1	99	18.31	18.38	18.29	18.60	0
Frequency (MHz)			2507.5	2535	2562.5	Target Power + Max. Tolerance (dBm)	MPR Allowed per 3GPP(dB)	
Channel			20825	21100	21375			
15	QPSK	1	0	18.46	18.39	18.33	18.60	0
		1	36	18.29	18.31	18.42	18.60	0
		1	74	18.29	18.35	18.45	18.60	0
		36	0	18.37	18.45	18.37	18.60	0
		36	18	18.28	18.31	18.34	18.60	0
		36	37	18.31	18.41	18.39	18.60	0
	16-QAM	75	0	18.34	18.35	18.44	18.60	0
		1	0	18.35	18.43	18.41	18.60	0
		1	36	18.28	18.45	18.27	18.60	0
		1	74	18.37	18.34	18.36	18.60	0
		36	0	18.31	18.44	18.37	18.60	0
		36	18	18.44	18.45	18.33	18.60	0
	64-QAM	36	37	18.34	18.40	18.36	18.60	0
		75	0	18.39	18.36	18.32	18.60	0
		1	0	18.28	18.32	18.27	18.60	0
		1	36	18.36	18.43	18.28	18.60	0
		1	74	18.39	18.39	18.38	18.60	0
		36	0	18.37	18.39	18.41	18.60	0
	256-QAM	36	18	18.45	18.29	18.28	18.60	0
		36	37	18.40	18.37	18.35	18.60	0
		75	0	18.44	18.36	18.39	18.60	0
		1	0	18.43	18.32	18.45	18.60	0
		1	36	18.43	18.36	18.43	18.60	0
		1	74	18.27	18.32	18.41	18.60	0
36	0	18.31	18.37	18.27	18.60	0		
36	18	18.30	18.43	18.45	18.60	0		
36	37	18.37	18.42	18.29	18.60	0		
75	0	18.33	18.30	18.37	18.60	0		

Unless otherwise stated the results shown in this test report refer only to the sample(s) tested and such sample(s) are retained for 90 days only.

除非另有說明，此報告結果僅對測試之樣品負責，同時此樣品僅保留90天。本報告未經本公司書面許可，不可部份複製。

This document is issued by the Company subject to its General Conditions of Service printed overleaf, available on request or accessible at <http://www.sgs.com.tw/Terms-and-Conditions> and for electronic format documents, subject to Terms and Conditions for Electronic Documents at <http://www.sgs.com.tw/Terms-and-Conditions>. Attention is drawn to the limitation of liability, indemnification and jurisdiction issues defined therein. Any holder of this document is advised that information contained hereon reflects the Company's findings at the time of its intervention only and within the limits of Client's instructions, if any. The Company's sole responsibility is to its Client and this document does not exonerate parties to a transaction from exercising all their rights and obligations under the transaction documents. This document cannot be reproduced except in full, without prior written approval of the Company. Any unauthorized alteration, forgery or falsification of the content or appearance of this document is unlawful and offenders may be prosecuted to the fullest extent of the law.

LTE Band 7									
BW(Mhz)	Modulation	RB Size	RB Offset	Conducted power (dBm)			Target Power + Max. Tolerance (dBm)	MPR Allowed per 3GPP(dB)	
Frequency (MHz)				2505	2535	2565			
Channel				20800	21100	21400			
10	QPSK	1	0	18.41	18.38	18.45	18.60	0	
		1	25	18.46	18.46	18.41	18.60	0	
		1	49	18.35	18.39	18.37	18.60	0	
		25	0	18.30	18.29	18.28	18.60	0	
		25	12	18.40	18.34	18.28	18.60	0	
		25	25	18.39	18.27	18.45	18.60	0	
	16-QAM	50	0	18.32	18.32	18.37	18.60	0	
		1	0	18.40	18.44	18.34	18.60	0	
		1	25	18.30	18.44	18.36	18.60	0	
		1	49	18.31	18.46	18.29	18.60	0	
		25	0	18.41	18.38	18.45	18.60	0	
		25	12	18.39	18.45	18.38	18.60	0	
	64-QAM	25	25	18.29	18.37	18.46	18.60	0	
		50	0	18.36	18.35	18.31	18.60	0	
		1	0	18.35	18.44	18.39	18.60	0	
		1	25	18.40	18.45	18.43	18.60	0	
		1	49	18.32	18.38	18.41	18.60	0	
		25	0	18.30	18.30	18.36	18.60	0	
	256-QAM	25	12	18.40	18.44	18.28	18.60	0	
		25	25	18.27	18.41	18.35	18.60	0	
		50	0	18.36	18.45	18.39	18.60	0	
		1	0	18.42	18.41	18.45	18.60	0	
		1	25	18.36	18.44	18.43	18.60	0	
		1	49	18.32	18.37	18.35	18.60	0	
	Frequency (MHz)				2502.5	2535	2567.5	Target Power + Max. Tolerance (dBm)	MPR Allowed per 3GPP(dB)
	Channel				20775	21100	21425		
	5	QPSK	1	0	18.37	18.43	18.46	18.60	0
			1	12	18.34	18.37	18.31	18.60	0
			1	24	18.32	18.43	18.30	18.60	0
			12	0	18.39	18.35	18.43	18.60	0
12			6	18.31	18.30	18.32	18.60	0	
12			13	18.41	18.29	18.42	18.60	0	
16-QAM		25	0	18.41	18.39	18.37	18.60	0	
		1	0	18.27	18.45	18.37	18.60	0	
		1	12	18.40	18.29	18.40	18.60	0	
		1	24	18.31	18.46	18.28	18.60	0	
		12	0	18.31	18.40	18.43	18.60	0	
		12	6	18.41	18.30	18.28	18.60	0	
64-QAM		12	13	18.44	18.31	18.41	18.60	0	
		25	0	18.44	18.28	18.32	18.60	0	
		1	0	18.29	18.38	18.44	18.60	0	
		1	12	18.28	18.27	18.29	18.60	0	
		1	24	18.45	18.40	18.37	18.60	0	
		12	0	18.34	18.29	18.27	18.60	0	
256-QAM		12	6	18.38	18.31	18.30	18.60	0	
		12	13	18.43	18.39	18.32	18.60	0	
		25	0	18.30	18.41	18.31	18.60	0	
		1	0	18.38	18.45	18.42	18.60	0	
		1	12	18.44	18.42	18.30	18.60	0	
		1	24	18.34	18.37	18.28	18.60	0	
12		0	18.41	18.41	18.32	18.60	0		
12		6	18.46	18.35	18.33	18.60	0		
12		13	18.35	18.41	18.30	18.60	0		
25		0	18.38	18.45	18.30	18.60	0		

Unless otherwise stated the results shown in this test report refer only to the sample(s) tested and such sample(s) are retained for 90 days only.

除非另有說明，此報告結果僅對測試之樣品負責，同時此樣品僅保留90天。本報告未經本公司書面許可，不可部份複製。

This document is issued by the Company subject to its General Conditions of Service printed overleaf, available on request or accessible at <http://www.sgs.com.tw/Terms-and-Conditions> and for electronic format documents, subject to Terms and Conditions for Electronic Documents at <http://www.sgs.com.tw/Terms-and-Conditions>. Attention is drawn to the limitation of liability, indemnification and jurisdiction issues defined therein. Any holder of this document is advised that information contained hereon reflects the Company's findings at the time of its intervention only and within the limits of Client's instructions, if any. The Company's sole responsibility is to its Client and this document does not exonerate parties to a transaction from exercising all their rights and obligations under the transaction documents. This document cannot be reproduced except in full, without prior written approval of the Company. Any unauthorized alteration, forgery or falsification of the content or appearance of this document is unlawful and offenders may be prosecuted to the fullest extent of the law.

LTE Band 12										
BW(Mhz)	Modulation	RB Size	RB Offset	Conducted power (dBm)			Target Power + Max. Tolerance (dBm)	MPR Allowed per 3GPP(dB)		
Frequency (MHz)			704	707.5	711					
Channel			23060	23095	23130					
10	QPSK	1	0	23.37	23.33	23.35	23.40	0		
		1	25	23.13	23.23	23.19	23.40	0		
		1	49	23.27	23.23	23.21	23.40	0		
		25	0	22.18	22.18	22.22	22.40	0-1		
		25	12	22.26	22.16	22.17	22.40	0-1		
		25	25	22.25	22.31	22.24	22.40	0-1		
	16-QAM	50	0	22.26	22.17	22.23	22.40	0-1		
		1	0	22.22	22.28	22.28	22.40	0-1		
		1	25	22.22	22.22	22.16	22.40	0-1		
		1	49	22.20	22.17	22.22	22.40	0-1		
		25	0	21.28	21.15	21.23	21.40	0-2		
		25	12	21.32	21.26	21.21	21.40	0-2		
	64-QAM	25	25	21.13	21.13	21.26	21.40	0-2		
		50	0	21.30	21.17	21.15	21.40	0-2		
		1	0	21.29	21.15	21.32	21.40	0-2		
		1	25	21.31	21.30	21.21	21.40	0-2		
		1	49	21.20	21.25	21.24	21.40	0-2		
		25	0	20.20	20.29	20.20	20.40	0-3		
	256-QAM	25	12	20.13	20.27	20.21	20.40	0-3		
		25	25	20.14	20.32	20.16	20.40	0-3		
		50	0	20.29	20.13	20.13	20.40	0-3		
		1	0	18.27	18.31	18.24	18.40	0-5		
		1	25	18.25	18.23	18.26	18.40	0-5		
		1	49	18.16	18.13	18.18	18.40	0-5		
	5	QPSK	25	0	18.32	18.31	18.20	18.40	0-5	
			25	12	18.17	18.26	18.32	18.40	0-5	
			25	25	18.20	18.13	18.14	18.40	0-5	
			50	0	18.23	18.30	18.14	18.40	0-5	
			Frequency (MHz)			701.5	707.5	713.5	Target Power + Max. Tolerance (dBm)	MPR Allowed per 3GPP(dB)
			Channel			23035	23095	23155		
5		QPSK	1	0	23.25	23.15	23.21	23.40		
			1	12	23.17	23.15	23.14	23.40	0	
			1	24	23.30	23.31	23.31	23.40	0	
			12	0	22.32	22.22	22.27	22.40	0-1	
			12	6	22.27	22.21	22.29	22.40	0-1	
			12	13	22.32	22.29	22.20	22.40	0-1	
		16-QAM	25	0	22.19	22.32	22.32	22.40	0-1	
			1	0	22.23	22.28	22.24	22.40	0-1	
			1	12	22.13	22.17	22.26	22.40	0-1	
			1	24	22.17	22.31	22.14	22.40	0-1	
			12	0	21.13	21.22	21.21	21.40	0-2	
			12	6	21.21	21.25	21.31	21.40	0-2	
		64-QAM	12	13	21.27	21.25	21.25	21.40	0-2	
			25	0	21.32	21.18	21.27	21.40	0-2	
			1	0	21.13	21.29	21.14	21.40	0-2	
			1	12	21.30	21.32	21.16	21.40	0-2	
			1	24	21.30	21.26	21.20	21.40	0-2	
			12	0	20.31	20.15	20.32	20.40	0-3	
		256-QAM	12	6	20.26	20.15	20.23	20.40	0-3	
			12	13	20.25	20.14	20.20	20.40	0-3	
			25	0	20.16	20.15	20.28	20.40	0-3	
			1	0	18.17	18.20	18.20	18.40	0-5	
			1	12	18.13	18.30	18.25	18.40	0-5	
			1	24	18.26	18.18	18.22	18.40	0-5	
	5	16-QAM	12	0	18.20	18.13	18.25	18.40	0-5	
			12	6	18.23	18.21	18.16	18.40	0-5	
			12	13	18.24	18.21	18.21	18.40	0-5	
			25	0	18.15	18.28	18.24	18.40	0-5	

Unless otherwise stated the results shown in this test report refer only to the sample(s) tested and such sample(s) are retained for 90 days only.

除非另有說明，此報告結果僅對測試之樣品負責，同時此樣品僅保留90天。本報告未經本公司書面許可，不可部份複製。

This document is issued by the Company subject to its General Conditions of Service printed overleaf, available on request or accessible at <http://www.sgs.com.tw/Terms-and-Conditions> and for electronic format documents, subject to Terms and Conditions for Electronic Documents at <http://www.sgs.com.tw/Terms-and-Conditions>. Attention is drawn to the limitation of liability, indemnification and jurisdiction issues defined therein. Any holder of this document is advised that information contained hereon reflects the Company's findings at the time of its intervention only and within the limits of Client's instructions, if any. The Company's sole responsibility is to its Client and this document does not exonerate parties to a transaction from exercising all their rights and obligations under the transaction documents. This document cannot be reproduced except in full, without prior written approval of the Company. Any unauthorized alteration, forgery or falsification of the content or appearance of this document is unlawful and offenders may be prosecuted to the fullest extent of the law.

LTE Band 12										
BW(Mhz)	Modulation	RB Size	RB Offset	Conducted power (dBm)			Target Power + Max. Tolerance (dBm)	MPR Allowed per 3GPP(dB)		
Frequency (MHz)			700.5	707.5	714.5					
Channel			23025	23095	23165					
3	QPSK	1	0	23.16	23.24	23.21	23.40	0		
		1	7	23.24	23.31	23.25	23.40	0		
		1	14	23.19	23.28	23.19	23.40	0		
		8	0	22.30	22.29	22.25	22.40	0-1		
		8	4	22.29	22.13	22.20	22.40	0-1		
		8	7	22.27	22.25	22.20	22.40	0-1		
	16-QAM	15	0	22.31	22.26	22.21	22.40	0-1		
		1	0	22.16	22.19	22.22	22.40	0-1		
		1	7	22.17	22.19	22.30	22.40	0-1		
		1	14	22.16	22.27	22.16	22.40	0-1		
		8	0	21.18	21.13	21.31	21.40	0-2		
		8	4	21.30	21.22	21.27	21.40	0-2		
	64-QAM	8	7	21.23	21.21	21.32	21.40	0-2		
		15	0	21.24	21.29	21.29	21.40	0-2		
		1	0	21.20	21.13	21.22	21.40	0-2		
		1	7	21.20	21.30	21.13	21.40	0-2		
		1	14	21.20	21.23	21.15	21.40	0-2		
		8	0	20.19	20.30	20.18	20.40	0-3		
	256-QAM	8	4	20.25	20.18	20.20	20.40	0-3		
		8	7	20.18	20.16	20.19	20.40	0-3		
		15	0	20.21	20.16	20.23	20.40	0-3		
		1	0	18.31	18.25	18.23	18.40	0-5		
		1	7	18.16	18.17	18.17	18.40	0-5		
		1	14	18.18	18.27	18.27	18.40	0-5		
	1.4	QPSK	8	0	18.20	18.26	18.19	18.40	0-5	
			8	4	18.15	18.16	18.28	18.40	0-5	
			8	7	18.31	18.26	18.21	18.40	0-5	
			15	0	18.21	18.30	18.23	18.40	0-5	
			Frequency (MHz)			699.7	707.5	715.3	Target Power + Max. Tolerance (dBm)	MPR Allowed per 3GPP(dB)
			Channel			23017	23095	23173		
1.4		QPSK	1	0	23.23	23.21	23.30	23.40		
			1	2	23.19	23.26	23.14	23.40	0	
			1	5	23.32	23.21	23.23	23.40	0	
			3	0	22.28	22.15	22.30	22.40	0-1	
			3	2	22.25	22.14	22.25	22.40	0-1	
			3	3	22.18	22.24	22.23	22.40	0-1	
		16-QAM	6	0	22.18	22.25	22.17	22.40	0-1	
			1	0	22.14	22.31	22.23	22.40	0-1	
			1	2	22.24	22.28	22.23	22.40	0-1	
			1	5	22.13	22.18	22.30	22.40	0-1	
			3	0	21.19	21.14	21.31	21.40	0-2	
			3	2	21.30	21.28	21.23	21.40	0-2	
		64-QAM	3	3	21.17	21.24	21.15	21.40	0-2	
			6	0	21.16	21.21	21.13	21.40	0-2	
			1	0	21.16	21.28	21.23	21.40	0-2	
			1	2	21.19	21.14	21.30	21.40	0-2	
			1	5	21.17	21.22	21.32	21.40	0-2	
			3	0	20.20	20.28	20.18	20.40	0-3	
		256-QAM	3	2	20.23	20.23	20.25	20.40	0-3	
			3	3	20.26	20.18	20.20	20.40	0-3	
			6	0	20.29	20.24	20.27	20.40	0-3	
			1	0	18.15	18.27	18.22	18.40	0-5	
			1	2	18.30	18.24	18.25	18.40	0-5	
			1	5	18.15	18.30	18.17	18.40	0-5	
256-QAM	3	0	18.15	18.14	18.20	18.40	0-5			
	3	2	18.15	18.18	18.32	18.40	0-5			
	3	3	18.16	18.17	18.30	18.40	0-5			
	6	0	18.21	18.24	18.27	18.40	0-5			

Unless otherwise stated the results shown in this test report refer only to the sample(s) tested and such sample(s) are retained for 90 days only.

除非另有說明，此報告結果僅對測試之樣品負責，同時此樣品僅保留90天。本報告未經本公司書面許可，不可部份複製。

This document is issued by the Company subject to its General Conditions of Service printed overleaf, available on request or accessible at <http://www.sgs.com.tw/Terms-and-Conditions> and for electronic format documents, subject to Terms and Conditions for Electronic Documents at <http://www.sgs.com.tw/Terms-and-Conditions>. Attention is drawn to the limitation of liability, indemnification and jurisdiction issues defined therein. Any holder of this document is advised that information contained hereon reflects the Company's findings at the time of its intervention only and within the limits of Client's instructions, if any. The Company's sole responsibility is to its Client and this document does not exonerate parties to a transaction from exercising all their rights and obligations under the transaction documents. This document cannot be reproduced except in full, without prior written approval of the Company. Any unauthorized alteration, forgery or falsification of the content or appearance of this document is unlawful and offenders may be prosecuted to the fullest extent of the law.

LTE Band 13									
BW(MHz)	Modulation	RB Size	RB Offset	Conducted power (dBm)			Target Power + Max. Tolerance (dBm)	MPR Allowed per 3GPP(dB)	
Frequency (MHz)				782	782	782			
Channel				23230	23230	23230			
10	QPSK	1	0	23.57			23.60	0	
		1	25	23.51			23.60	0	
		1	49	23.36			23.60	0	
		25	0	22.30			22.60	0-1	
		25	12	22.33			22.60	0-1	
		25	25	22.42			22.60	0-1	
	16-QAM	50	0	22.38			22.60	0-1	
		1	0	22.49			22.60	0-1	
		1	25	22.40			22.60	0-1	
		1	49	22.43			22.60	0-1	
		25	0	21.33			21.60	0-2	
		25	12	21.44			21.60	0-2	
	64-QAM	25	25	21.44			21.60	0-2	
		50	0	21.32			21.60	0-2	
		1	0	21.38			21.60	0-2	
		1	25	21.49			21.60	0-2	
		1	49	21.37			21.60	0-2	
		25	0	20.39			20.60	0-3	
	256-QAM	25	12	20.44			20.60	0-3	
		25	25	20.35			20.60	0-3	
		50	0	20.31			20.60	0-3	
		1	0	18.30			18.60	0-5	
		1	25	18.38			18.60	0-5	
		1	49	18.47			18.60	0-5	
	5	QPSK	25	0	18.32			18.60	0-5
			25	12	18.31			18.60	0-5
			25	25	18.31			18.60	0-5
			1	0	18.49			18.60	0-5
			1	25	18.49			18.60	0-5
			1	49	18.49			18.60	0-5
16-QAM		25	0	18.32			18.60	0-5	
		1	0	22.41			22.60	0-1	
		1	12	22.45			22.60	0-1	
		1	24	22.32			22.60	0-1	
		12	0	21.48			21.60	0-2	
		12	6	21.49			21.60	0-2	
64-QAM		12	13	21.36			21.60	0-2	
		25	0	21.42			21.60	0-2	
		1	0	21.34			21.60	0-2	
		1	12	21.38			21.60	0-2	
		1	24	21.46			21.60	0-2	
		12	0	20.35			20.60	0-3	
256-QAM		12	6	20.34			20.60	0-3	
		12	13	20.35			20.60	0-3	
		25	0	20.32			20.60	0-3	
		1	0	18.42			18.60	0-5	
		1	12	18.32			18.60	0-5	
		1	24	18.35			18.60	0-5	
Frequency (MHz)				779.5	782	784.5	Target Power + Max. Tolerance (dBm)	MPR Allowed per 3GPP(dB)	
Channel				23205	23230	23255			
5		QPSK	1	0	23.33			23.60	0
			1	12	23.32			23.60	0
			1	24	23.49			23.60	0
			12	0	22.39			22.60	0-1
	12		6	22.45			22.60	0-1	
	12		13	22.45			22.60	0-1	
	16-QAM	25	0	22.45			22.60	0-1	
		1	0	22.41			22.60	0-1	
		1	12	22.45			22.60	0-1	
		1	24	22.32			22.60	0-1	
		12	0	21.48			21.60	0-2	
		12	6	21.49			21.60	0-2	
	64-QAM	12	13	21.36			21.60	0-2	
		25	0	21.42			21.60	0-2	
		1	0	21.34			21.60	0-2	
		1	12	21.38			21.60	0-2	
		1	24	21.46			21.60	0-2	
		12	0	20.35			20.60	0-3	
	256-QAM	12	6	20.34			20.60	0-3	
		12	13	20.35			20.60	0-3	
		25	0	20.32			20.60	0-3	
		1	0	18.42			18.60	0-5	
		1	12	18.32			18.60	0-5	
		1	24	18.35			18.60	0-5	

Unless otherwise stated the results shown in this test report refer only to the sample(s) tested and such sample(s) are retained for 90 days only.

除非另有說明，此報告結果僅對測試之樣品負責，同時此樣品僅保留90天。本報告未經本公司書面許可，不可部份複製。

This document is issued by the Company subject to its General Conditions of Service printed overleaf, available on request or accessible at <http://www.sgs.com.tw/Terms-and-Conditions> and for electronic format documents, subject to Terms and Conditions for Electronic Documents at <http://www.sgs.com.tw/Terms-and-Conditions>. Attention is drawn to the limitation of liability, indemnification and jurisdiction issues defined therein. Any holder of this document is advised that information contained hereon reflects the Company's findings at the time of its intervention only and within the limits of Client's instructions, if any. The Company's sole responsibility is to its Client and this document does not exonerate parties to a transaction from exercising all their rights and obligations under the transaction documents. This document cannot be reproduced except in full, without prior written approval of the Company. Any unauthorized alteration, forgery or falsification of the content or appearance of this document is unlawful and offenders may be prosecuted to the fullest extent of the law.

LTE Band 14										
BW(MHz)	Modulation	RB Size	RB Offset	Conducted power (dBm)			Target Power + Max. Tolerance (dBm)	MPR Allowed per 3GPP(dB)		
Frequency (MHz)			793	793	793					
Channel			23330	23330	23330					
10	QPSK	1	0	23.92			24.10	0		
		1	25	23.75			24.10	0		
		1	49	23.71			24.10	0		
		25	0	22.82			23.10	0-1		
		25	12	22.78			23.10	0-1		
		25	25	22.75			23.10	0-1		
	16-QAM	50	0	22.72			23.10	0-1		
		1	0	22.81			23.10	0-1		
		1	25	22.80			23.10	0-1		
		1	49	22.82			23.10	0-1		
		25	0	21.68			22.10	0-2		
		25	12	21.80			22.10	0-2		
	64-QAM	25	25	21.68			22.10	0-2		
		50	0	21.76			22.10	0-2		
		1	0	21.81			22.10	0-2		
		1	25	21.84			22.10	0-2		
		1	49	21.85			22.10	0-2		
		25	0	20.86			21.10	0-3		
	256-QAM	25	12	20.86			21.10	0-3		
		25	25	20.74			21.10	0-3		
		50	0	20.81			21.10	0-3		
		1	0	18.76			19.10	0-5		
		1	25	18.78			19.10	0-5		
		1	49	18.86			19.10	0-5		
	5	QPSK	25	0	18.86			19.10	0-5	
			25	12	18.75			19.10	0-5	
			25	25	18.76			19.10	0-5	
			50	0	18.87			19.10	0-5	
			Frequency (MHz)			790.5	793	795.5	Target Power + Max. Tolerance (dBm)	MPR Allowed per 3GPP(dB)
			Channel			23305	23330	23355		
5		QPSK	1	0	23.77	23.68	23.74	24.10	0	
			1	12	23.84	23.75	23.81	24.10	0	
			1	24	23.70	23.77	23.72	24.10	0	
			12	0	22.84	22.72	22.77	23.10	0-1	
			12	6	22.69	22.84	22.87	23.10	0-1	
			12	13	22.77	22.74	22.77	23.10	0-1	
		16-QAM	25	0	22.82	22.79	22.73	23.10	0-1	
			1	0	22.84	22.76	22.69	23.10	0-1	
			1	12	22.84	22.78	22.85	23.10	0-1	
			1	24	22.86	22.69	22.79	23.10	0-1	
			12	0	21.75	21.75	21.76	22.10	0-2	
			12	6	21.84	21.68	21.74	22.10	0-2	
		64-QAM	12	13	21.81	21.86	21.69	22.10	0-2	
			25	0	21.74	21.86	21.80	22.10	0-2	
			1	0	21.72	21.78	21.68	22.10	0-2	
			1	12	21.68	21.73	21.72	22.10	0-2	
			1	24	21.71	21.72	21.73	22.10	0-2	
			12	0	20.73	20.87	20.77	21.10	0-3	
		256-QAM	12	6	20.71	20.79	20.82	21.10	0-3	
			12	13	20.87	20.68	20.84	21.10	0-3	
			25	0	20.75	20.83	20.73	21.10	0-3	
			1	0	18.70	18.68	18.79	19.10	0-5	
			1	12	18.78	18.77	18.79	19.10	0-5	
			1	24	18.76	18.73	18.72	19.10	0-5	
	5	256-QAM	12	0	18.78	18.76	18.69	19.10	0-5	
			12	6	18.74	18.81	18.75	19.10	0-5	
			12	13	18.68	18.76	18.75	19.10	0-5	
			25	0	18.75	18.73	18.68	19.10	0-5	

Unless otherwise stated the results shown in this test report refer only to the sample(s) tested and such sample(s) are retained for 90 days only.

除非另有說明，此報告結果僅對測試之樣品負責，同時此樣品僅保留90天。本報告未經本公司書面許可，不可部份複製。

This document is issued by the Company subject to its General Conditions of Service printed overleaf, available on request or accessible at <http://www.sgs.com.tw/Terms-and-Conditions> and for electronic format documents, subject to Terms and Conditions for Electronic Documents at <http://www.sgs.com.tw/Terms-and-Conditions>. Attention is drawn to the limitation of liability, indemnification and jurisdiction issues defined therein. Any holder of this document is advised that information contained hereon reflects the Company's findings at the time of its intervention only and within the limits of Client's instructions, if any. The Company's sole responsibility is to its Client and this document does not exonerate parties to a transaction from exercising all their rights and obligations under the transaction documents. This document cannot be reproduced except in full, without prior written approval of the Company. Any unauthorized alteration, forgery or falsification of the content or appearance of this document is unlawful and offenders may be prosecuted to the fullest extent of the law.

LTE Band 17										
BW(Mhz)	Modulation	RB Size	RB Offset	Conducted power (dBm)			Target Power + Max. Tolerance (dBm)	MPR Allowed per 3GPP(dB)		
Frequency (MHz)			709	710	711					
Channel			23780	23790	23800					
10	QPSK	1	0	23.44	23.47	23.40	23.50	0		
		1	25	23.30	23.25	23.34	23.50	0		
		1	49	23.38	23.31	23.31	23.50	0		
		25	0	22.24	22.43	22.26	22.50	0-1		
		25	12	22.28	22.29	22.27	22.50	0-1		
		25	25	22.39	22.31	22.25	22.50	0-1		
	16-QAM	50	0	22.28	22.39	22.37	22.50	0-1		
		1	0	22.37	22.26	22.33	22.50	0-1		
		1	25	22.42	22.25	22.27	22.50	0-1		
		1	49	22.32	22.28	22.43	22.50	0-1		
		25	0	21.30	21.41	21.27	21.50	0-2		
		25	12	21.35	21.31	21.25	21.50	0-2		
	64-QAM	25	25	21.27	21.24	21.39	21.50	0-2		
		50	0	21.39	21.24	21.27	21.50	0-2		
		1	0	21.29	21.42	21.30	21.50	0-2		
		1	25	21.27	21.33	21.27	21.50	0-2		
		1	49	21.33	21.31	21.37	21.50	0-2		
		25	0	20.33	20.28	20.42	20.50	0-3		
	256-QAM	25	12	20.37	20.24	20.26	20.50	0-3		
		25	25	20.28	20.42	20.26	20.50	0-3		
		50	0	20.25	20.41	20.34	20.50	0-3		
		1	0	18.42	18.32	18.25	18.50	0-5		
		1	25	18.31	18.38	18.36	18.50	0-5		
		1	49	18.31	18.36	18.27	18.50	0-5		
	5	QPSK	25	0	18.36	18.27	18.25	18.50	0-5	
			25	12	18.37	18.33	18.28	18.50	0-5	
			25	25	18.43	18.28	18.36	18.50	0-5	
			50	0	18.27	18.39	18.39	18.50	0-5	
			Frequency (MHz)			706.5	710	713.5	Target Power + Max. Tolerance (dBm)	MPR Allowed per 3GPP(dB)
			Channel			23755	23790	23825		
		5	QPSK	1	0	23.28	23.19	23.30	23.50	0
				1	12	23.31	23.38	23.25	23.50	0
				1	24	23.24	23.25	23.29	23.50	0
				12	0	22.37	22.25	22.38	22.50	0-1
				12	6	22.25	22.30	22.39	22.50	0-1
				12	13	22.38	22.36	22.29	22.50	0-1
16-QAM			25	0	22.33	22.26	22.40	22.50	0-1	
			1	0	22.25	22.41	22.35	22.50	0-1	
			1	12	22.31	22.40	22.34	22.50	0-1	
			1	24	22.32	22.32	22.26	22.50	0-1	
			12	0	21.41	21.24	21.29	21.50	0-2	
			12	6	21.32	21.35	21.27	21.50	0-2	
64-QAM			12	13	21.27	21.36	21.29	21.50	0-2	
			25	0	21.30	21.33	21.35	21.50	0-2	
			1	0	21.29	21.27	21.43	21.50	0-2	
			1	12	21.24	21.41	21.39	21.50	0-2	
			1	24	21.26	21.37	21.28	21.50	0-2	
			12	0	20.24	20.25	20.37	20.50	0-3	
256-QAM			12	6	20.35	20.34	20.42	20.50	0-3	
			12	13	20.32	20.37	20.40	20.50	0-3	
			25	0	20.28	20.34	20.36	20.50	0-3	
			1	0	18.36	18.26	18.34	18.50	0-5	
			1	12	18.35	18.31	18.31	18.50	0-5	
			1	24	18.27	18.28	18.26	18.50	0-5	
5		QPSK	12	0	18.37	18.27	18.24	18.50	0-5	
			12	6	18.39	18.27	18.39	18.50	0-5	
			12	13	18.30	18.29	18.30	18.50	0-5	
			25	0	18.41	18.26	18.34	18.50	0-5	

Unless otherwise stated the results shown in this test report refer only to the sample(s) tested and such sample(s) are retained for 90 days only.

除非另有說明，此報告結果僅對測試之樣品負責，同時此樣品僅保留90天。本報告未經本公司書面許可，不可部份複製。

This document is issued by the Company subject to its General Conditions of Service printed overleaf, available on request or accessible at <http://www.sgs.com.tw/Terms-and-Conditions> and for electronic format documents, subject to Terms and Conditions for Electronic Documents at <http://www.sgs.com.tw/Terms-and-Conditions>. Attention is drawn to the limitation of liability, indemnification and jurisdiction issues defined therein. Any holder of this document is advised that information contained hereon reflects the Company's findings at the time of its intervention only and within the limits of Client's instructions, if any. The Company's sole responsibility is to its Client and this document does not exonerate parties to a transaction from exercising all their rights and obligations under the transaction documents. This document cannot be reproduced except in full, without prior written approval of the Company. Any unauthorized alteration, forgery or falsification of the content or appearance of this document is unlawful and offenders may be prosecuted to the fullest extent of the law.

LTE Band 25									
BW(Mhz)	Modulation	RB Size	RB Offset	Conducted power (dBm)			Target Power + Max. Tolerance (dBm)	MPR Allowed per 3GPP(dB)	
Frequency (MHz)			1860	1882.5	1905				
Channel			26140	26365	26590				
20	QPSK	1	0	18.74	18.70	18.77	18.80	0	
		1	50	18.63	18.50	18.56	18.80	0	
		1	99	18.68	18.59	18.52	18.80	0	
		50	0	18.50	18.64	18.64	18.80	0	
		50	25	18.49	18.54	18.56	18.80	0	
		50	50	18.59	18.50	18.67	18.80	0	
	16-QAM	100	0	18.68	18.62	18.53	18.80	0	
		1	0	18.64	18.55	18.64	18.80	0	
		1	50	18.68	18.53	18.61	18.80	0	
		1	99	18.61	18.57	18.49	18.80	0	
		50	0	18.59	18.56	18.52	18.80	0	
		50	25	18.59	18.56	18.59	18.80	0	
	64-QAM	50	50	18.62	18.49	18.62	18.80	0	
		100	0	18.51	18.53	18.67	18.80	0	
		1	0	18.52	18.60	18.54	18.80	0	
		1	50	18.68	18.66	18.49	18.80	0	
		1	99	18.52	18.66	18.53	18.80	0	
		50	0	18.54	18.59	18.56	18.80	0	
	256-QAM	50	25	18.66	18.49	18.61	18.80	0	
		50	50	18.58	18.52	18.59	18.80	0	
		100	0	18.63	18.65	18.56	18.80	0	
		1	0	18.61	18.49	18.61	18.80	0	
		1	50	18.65	18.54	18.67	18.80	0	
		1	99	18.52	18.52	18.54	18.80	0	
	Frequency (MHz)			1857.5	1882.5	1907.5	Target Power + Max. Tolerance (dBm)	MPR Allowed per 3GPP(dB)	
	Channel			26115	26365	26615			
	15	QPSK	1	0	18.63	18.66	18.50	18.80	0
			1	36	18.63	18.56	18.54	18.80	0
			1	74	18.59	18.50	18.60	18.80	0
			36	0	18.53	18.57	18.68	18.80	0
36			18	18.66	18.50	18.59	18.80	0	
36			37	18.54	18.63	18.67	18.80	0	
16-QAM		75	0	18.62	18.56	18.63	18.80	0	
		1	0	18.59	18.59	18.61	18.80	0	
		1	36	18.55	18.56	18.58	18.80	0	
		1	74	18.63	18.51	18.63	18.80	0	
		36	0	18.51	18.52	18.64	18.80	0	
		36	18	18.64	18.66	18.63	18.80	0	
64-QAM		36	37	18.56	18.68	18.67	18.80	0	
		75	0	18.67	18.68	18.49	18.80	0	
		1	0	18.64	18.67	18.55	18.80	0	
		1	36	18.55	18.51	18.58	18.80	0	
		1	74	18.50	18.64	18.64	18.80	0	
		36	0	18.65	18.62	18.51	18.80	0	
256-QAM		36	18	18.49	18.55	18.64	18.80	0	
		36	37	18.64	18.57	18.62	18.80	0	
		75	0	18.59	18.59	18.61	18.80	0	
		1	0	18.63	18.60	18.53	18.80	0	
		1	36	18.66	18.59	18.55	18.80	0	
		1	74	18.62	18.58	18.58	18.80	0	

Unless otherwise stated the results shown in this test report refer only to the sample(s) tested and such sample(s) are retained for 90 days only.

除非另有說明，此報告結果僅對測試之樣品負責，同時此樣品僅保留90天。本報告未經本公司書面許可，不可部份複製。

This document is issued by the Company subject to its General Conditions of Service printed overleaf, available on request or accessible at <http://www.sgs.com.tw/Terms-and-Conditions> and for electronic format documents, subject to Terms and Conditions for Electronic Documents at <http://www.sgs.com.tw/Terms-and-Conditions>. Attention is drawn to the limitation of liability, indemnification and jurisdiction issues defined therein. Any holder of this document is advised that information contained hereon reflects the Company's findings at the time of its intervention only and within the limits of Client's instructions, if any. The Company's sole responsibility is to its Client and this document does not exonerate parties to a transaction from exercising all their rights and obligations under the transaction documents. This document cannot be reproduced except in full, without prior written approval of the Company. Any unauthorized alteration, forgery or falsification of the content or appearance of this document is unlawful and offenders may be prosecuted to the fullest extent of the law.

LTE Band 25									
BW(Mhz)	Modulation	RB Size	RB Offset	Conducted power (dBm)			Target Power + Max. Tolerance (dBm)	MPR Allowed per 3GPP(dB)	
Frequency (MHz)			1855	1882.5	1910				
Channel			26090	26365	26640				
10	QPSK	1	0	18.56	18.49	18.62	18.80	0	
		1	25	18.59	18.51	18.57	18.80	0	
		1	49	18.62	18.62	18.58	18.80	0	
		25	0	18.62	18.49	18.57	18.80	0	
		25	12	18.53	18.54	18.62	18.80	0	
		25	25	18.51	18.51	18.68	18.80	0	
	16-QAM	50	0	18.57	18.66	18.51	18.80	0	
		1	0	18.54	18.55	18.66	18.80	0	
		1	25	18.67	18.62	18.68	18.80	0	
		1	49	18.55	18.53	18.58	18.80	0	
		25	0	18.57	18.63	18.55	18.80	0	
		25	12	18.55	18.57	18.50	18.80	0	
	64-QAM	25	25	18.63	18.57	18.64	18.80	0	
		50	0	18.56	18.53	18.62	18.80	0	
		1	0	18.57	18.57	18.56	18.80	0	
		1	25	18.54	18.55	18.60	18.80	0	
		1	49	18.56	18.66	18.62	18.80	0	
		25	0	18.51	18.67	18.55	18.80	0	
	256-QAM	25	12	18.52	18.61	18.66	18.80	0	
		25	25	18.64	18.55	18.49	18.80	0	
		50	0	18.66	18.66	18.52	18.80	0	
		1	0	18.53	18.67	18.62	18.80	0	
		1	25	18.51	18.52	18.53	18.80	0	
		1	49	18.61	18.49	18.67	18.80	0	
	Frequency (MHz)			1852.5	1882.5	1912.5	Target Power + Max. Tolerance (dBm)	MPR Allowed per 3GPP(dB)	
	Channel			26065	26365	26665			
	5	QPSK	1	0	18.54	18.63	18.49	18.80	0
			1	12	18.50	18.64	18.57	18.80	0
			1	24	18.62	18.51	18.60	18.80	0
			12	0	18.56	18.66	18.59	18.80	0
12			6	18.65	18.56	18.49	18.80	0	
12			13	18.55	18.68	18.53	18.80	0	
16-QAM		25	0	18.66	18.59	18.63	18.80	0	
		1	0	18.52	18.64	18.61	18.80	0	
		1	12	18.67	18.66	18.53	18.80	0	
		1	24	18.52	18.50	18.59	18.80	0	
		12	0	18.62	18.54	18.60	18.80	0	
		12	6	18.57	18.50	18.56	18.80	0	
64-QAM		12	13	18.68	18.61	18.54	18.80	0	
		25	0	18.64	18.49	18.54	18.80	0	
		1	0	18.57	18.58	18.64	18.80	0	
		1	12	18.64	18.60	18.64	18.80	0	
		1	24	18.52	18.59	18.68	18.80	0	
		12	0	18.67	18.64	18.66	18.80	0	
256-QAM		12	6	18.63	18.61	18.61	18.80	0	
		12	13	18.65	18.57	18.68	18.80	0	
		25	0	18.53	18.62	18.51	18.80	0	
		1	0	18.51	18.55	18.53	18.80	0	
		1	12	18.58	18.53	18.68	18.80	0	
		1	24	18.49	18.61	18.57	18.80	0	
12		0	18.62	18.61	18.67	18.80	0		
12		6	18.56	18.58	18.65	18.80	0		
12		13	18.62	18.54	18.52	18.80	0		
25		0	18.51	18.58	18.55	18.80	0		

Unless otherwise stated the results shown in this test report refer only to the sample(s) tested and such sample(s) are retained for 90 days only.

除非另有說明，此報告結果僅對測試之樣品負責，同時此樣品僅保留90天。本報告未經本公司書面許可，不可部份複製。

This document is issued by the Company subject to its General Conditions of Service printed overleaf, available on request or accessible at <http://www.sgs.com.tw/Terms-and-Conditions> and for electronic format documents, subject to Terms and Conditions for Electronic Documents at <http://www.sgs.com.tw/Terms-and-Conditions>. Attention is drawn to the limitation of liability, indemnification and jurisdiction issues defined therein. Any holder of this document is advised that information contained hereon reflects the Company's findings at the time of its intervention only and within the limits of Client's instructions, if any. The Company's sole responsibility is to its Client and this document does not exonerate parties to a transaction from exercising all their rights and obligations under the transaction documents. This document cannot be reproduced except in full, without prior written approval of the Company. Any unauthorized alteration, forgery or falsification of the content or appearance of this document is unlawful and offenders may be prosecuted to the fullest extent of the law.

LTE Band 25									
BW(Mhz)	Modulation	RB Size	RB Offset	Conducted power (dBm)			Target Power + Max. Tolerance (dBm)	MPR Allowed per 3GPP(dB)	
Frequency (MHz)			1851.5	1882.5	1913.5				
Channel			26055	26365	26675				
3	QPSK	1	0	18.51	18.52	18.64	18.80	0	
		1	7	18.63	18.60	18.55	18.80	0	
		1	14	18.52	18.51	18.50	18.80	0	
		8	0	18.62	18.52	18.58	18.80	0	
		8	4	18.56	18.68	18.59	18.80	0	
		8	7	18.66	18.59	18.52	18.80	0	
	16-QAM	15	0	18.63	18.68	18.51	18.80	0	
		1	0	18.59	18.51	18.53	18.80	0	
		1	7	18.64	18.63	18.65	18.80	0	
		1	14	18.68	18.59	18.62	18.80	0	
		8	0	18.57	18.56	18.56	18.80	0	
		8	4	18.62	18.55	18.56	18.80	0	
	64-QAM	8	7	18.49	18.56	18.60	18.80	0	
		15	0	18.62	18.51	18.65	18.80	0	
		1	0	18.61	18.61	18.57	18.80	0	
		1	7	18.68	18.53	18.63	18.80	0	
		1	14	18.54	18.59	18.60	18.80	0	
		8	0	18.58	18.59	18.68	18.80	0	
	256-QAM	8	4	18.66	18.67	18.66	18.80	0	
		8	7	18.59	18.63	18.60	18.80	0	
		15	0	18.61	18.60	18.64	18.80	0	
		1	0	18.54	18.62	18.61	18.80	0	
		1	7	18.62	18.50	18.67	18.80	0	
		1	14	18.55	18.67	18.60	18.80	0	
	1.4	QPSK	8	0	18.59	18.62	18.50	18.80	0
			8	4	18.54	18.62	18.61	18.80	0
			8	7	18.57	18.59	18.65	18.80	0
			15	0	18.56	18.59	18.52	18.80	0
			1	0	18.54	18.62	18.61	18.80	0
			1	7	18.62	18.50	18.67	18.80	0
16-QAM		1	14	18.55	18.67	18.60	18.80	0	
		3	0	18.59	18.62	18.50	18.80	0	
		3	2	18.49	18.61	18.62	18.80	0	
		3	3	18.65	18.55	18.61	18.80	0	
		6	0	18.55	18.63	18.63	18.80	0	
		1	0	18.56	18.58	18.49	18.80	0	
64-QAM		1	2	18.64	18.67	18.68	18.80	0	
		1	5	18.68	18.62	18.52	18.80	0	
		3	0	18.62	18.49	18.64	18.80	0	
		3	2	18.61	18.61	18.49	18.80	0	
		3	3	18.55	18.50	18.64	18.80	0	
		6	0	18.66	18.51	18.54	18.80	0	
256-QAM		1	0	18.50	18.52	18.60	18.80	0	
		1	2	18.55	18.64	18.56	18.80	0	
		1	5	18.66	18.57	18.62	18.80	0	
		3	0	18.57	18.55	18.65	18.80	0	
		3	2	18.58	18.54	18.61	18.80	0	
		3	3	18.57	18.57	18.51	18.80	0	
16-QAM		6	0	18.57	18.68	18.66	18.80	0	
		1	0	18.54	18.53	18.59	18.80	0	
		1	2	18.68	18.58	18.62	18.80	0	
		1	5	18.53	18.51	18.67	18.80	0	
		3	0	18.50	18.67	18.51	18.80	0	
		3	2	18.67	18.67	18.61	18.80	0	
64-QAM	3	3	18.66	18.68	18.63	18.80	0		
	6	0	18.65	18.68	18.50	18.80	0		

Unless otherwise stated the results shown in this test report refer only to the sample(s) tested and such sample(s) are retained for 90 days only.

除非另有說明，此報告結果僅對測試之樣品負責，同時此樣品僅保留90天。本報告未經本公司書面許可，不可部份複製。

This document is issued by the Company subject to its General Conditions of Service printed overleaf, available on request or accessible at <http://www.sgs.com.tw/Terms-and-Conditions> and for electronic format documents, subject to Terms and Conditions for Electronic Documents at <http://www.sgs.com.tw/Terms-and-Conditions>. Attention is drawn to the limitation of liability, indemnification and jurisdiction issues defined therein. Any holder of this document is advised that information contained hereon reflects the Company's findings at the time of its intervention only and within the limits of Client's instructions, if any. The Company's sole responsibility is to its Client and this document does not exonerate parties to a transaction from exercising all their rights and obligations under the transaction documents. This document cannot be reproduced except in full, without prior written approval of the Company. Any unauthorized alteration, forgery or falsification of the content or appearance of this document is unlawful and offenders may be prosecuted to the fullest extent of the law.

LTE Band 26										
BW(Mhz)	Modulation	RB Size	RB Offset	Conducted power (dBm)			Target Power + Max. Tolerance (dBm)	MPR Allowed per 3GPP(dB)		
Frequency (MHz)			821.5	831.5	841.5					
Channel			26765	26865	26965					
15	QPSK	1	0	24.19	24.20	24.24	24.30	0		
		1	36	24.07	24.13	24.05	24.30	0		
		1	74	24.06	24.17	24.16	24.30	0		
		36	0	23.11	23.09	23.03	23.30	0-1		
		36	18	23.00	23.01	23.17	23.30	0-1		
		36	37	23.09	23.18	23.05	23.30	0-1		
	16-QAM	75	0	23.12	23.11	23.00	23.30	0-1		
		1	0	23.18	23.15	23.08	23.30	0-1		
		1	36	23.01	23.18	23.16	23.30	0-1		
		1	74	23.04	23.06	23.09	23.30	0-1		
		36	0	22.11	22.14	22.04	22.30	0-2		
		36	18	22.05	22.06	22.02	22.30	0-2		
	64-QAM	36	37	22.19	22.02	22.09	22.30	0-2		
		75	0	22.18	22.01	22.18	22.30	0-2		
		1	0	22.00	22.05	22.04	22.30	0-2		
		1	36	22.17	22.06	22.16	22.30	0-2		
		1	74	22.17	22.08	22.19	22.30	0-2		
		36	0	21.06	21.02	21.09	21.30	0-3		
	256-QAM	36	18	21.18	21.09	21.09	21.30	0-3		
		36	37	21.04	21.14	21.08	21.30	0-3		
		75	0	21.11	21.15	21.06	21.30	0-3		
		1	0	19.02	19.12	19.16	19.30	0-5		
		1	36	19.03	19.15	19.08	19.30	0-5		
		1	74	19.13	19.12	19.00	19.30	0-5		
	10	QPSK	36	0	19.04	19.17	19.19	19.30	0-5	
			36	18	19.03	19.03	19.17	19.30	0-5	
			36	37	19.10	19.04	19.14	19.30	0-5	
			75	0	19.06	19.07	19.13	19.30	0-5	
			Frequency (MHz)			819	831.5	844	Target Power + Max. Tolerance (dBm)	MPR Allowed per 3GPP(dB)
			Channel			26740	26865	26990		
		10	QPSK	1	0	24.10	24.07	24.02	24.30	0
				1	25	24.00	24.13	24.10	24.30	0
				1	49	24.14	23.98	24.06	24.30	0
				25	0	23.08	23.13	23.00	23.30	0-1
				25	12	23.11	23.12	23.06	23.30	0-1
				25	25	23.18	23.11	23.16	23.30	0-1
16-QAM			50	0	23.18	23.17	23.07	23.30	0-1	
			1	0	23.17	23.08	23.05	23.30	0-1	
			1	25	23.08	23.10	23.02	23.30	0-1	
			1	49	23.02	23.00	23.09	23.30	0-1	
			25	0	22.05	22.05	22.17	22.30	0-2	
			25	12	22.06	22.10	22.07	22.30	0-2	
64-QAM			25	25	22.02	22.12	22.19	22.30	0-2	
			50	0	22.16	22.00	22.18	22.30	0-2	
			1	0	22.16	22.11	22.09	22.30	0-2	
			1	25	22.03	22.10	22.13	22.30	0-2	
			1	49	22.19	22.14	22.08	22.30	0-2	
			25	0	21.04	21.07	21.07	21.30	0-3	
256-QAM			25	12	21.08	21.18	21.11	21.30	0-3	
			25	25	21.19	21.00	21.13	21.30	0-3	
			50	0	21.09	21.09	21.10	21.30	0-3	
			1	0	19.05	19.02	19.18	19.30	0-5	
			1	25	19.10	19.17	19.03	19.30	0-5	
			1	49	19.00	19.09	19.14	19.30	0-5	
10			QPSK	25	0	19.15	19.15	19.05	19.30	0-5
				25	12	19.08	19.13	19.00	19.30	0-5
				25	25	19.18	19.13	19.14	19.30	0-5
				50	0	19.05	19.14	19.06	19.30	0-5

Unless otherwise stated the results shown in this test report refer only to the sample(s) tested and such sample(s) are retained for 90 days only.

除非另有說明，此報告結果僅對測試之樣品負責，同時此樣品僅保留90天。本報告未經本公司書面許可，不可部份複製。

This document is issued by the Company subject to its General Conditions of Service printed overleaf, available on request or accessible at <http://www.sgs.com.tw/Terms-and-Conditions> and for electronic format documents, subject to Terms and Conditions for Electronic Documents at <http://www.sgs.com.tw/Terms-and-Conditions>. Attention is drawn to the limitation of liability, indemnification and jurisdiction issues defined therein. Any holder of this document is advised that information contained hereon reflects the Company's findings at the time of its intervention only and within the limits of Client's instructions, if any. The Company's sole responsibility is to its Client and this document does not exonerate parties to a transaction from exercising all their rights and obligations under the transaction documents. This document cannot be reproduced except in full, without prior written approval of the Company. Any unauthorized alteration, forgery or falsification of the content or appearance of this document is unlawful and offenders may be prosecuted to the fullest extent of the law.

LTE Band 26										
BW(Mhz)	Modulation	RB Size	RB Offset	Conducted power (dBm)			Target Power + Max. Tolerance (dBm)	MPR Allowed per 3GPP(dB)		
Frequency (MHz)			816.5	831.5	846.5					
Channel			26715	26865	27015					
5	QPSK	1	0	24.04	24.16	24.01	24.30	0		
		1	12	24.14	24.10	24.03	24.30	0		
		1	24	24.07	24.12	24.07	24.30	0		
		12	0	23.19	23.19	23.05	23.30	0-1		
		12	6	23.10	23.00	23.03	23.30	0-1		
		12	13	23.18	23.14	23.17	23.30	0-1		
	16-QAM	25	0	23.05	23.02	23.19	23.30	0-1		
		1	0	23.11	23.19	23.02	23.30	0-1		
		1	12	23.19	23.18	23.12	23.30	0-1		
		1	24	23.02	23.08	23.16	23.30	0-1		
		12	0	22.09	22.14	22.03	22.30	0-2		
		12	6	22.13	22.16	22.07	22.30	0-2		
	64-QAM	12	13	22.10	22.00	22.06	22.30	0-2		
		25	0	22.14	22.17	22.08	22.30	0-2		
		1	0	22.13	22.03	22.08	22.30	0-2		
		1	12	22.14	22.05	22.07	22.30	0-2		
		1	24	22.16	22.10	22.03	22.30	0-2		
		12	0	21.18	21.08	21.19	21.30	0-3		
	256-QAM	12	6	21.01	21.00	21.14	21.30	0-3		
		12	13	21.18	21.11	21.08	21.30	0-3		
		25	0	21.16	21.03	21.09	21.30	0-3		
		1	0	19.07	19.10	19.10	19.30	0-5		
		1	12	19.00	19.17	19.07	19.30	0-5		
		1	24	19.13	19.17	19.14	19.30	0-5		
	3	QPSK	12	0	19.01	19.03	19.00	19.30	0-5	
			12	6	19.12	19.00	19.03	19.30	0-5	
			12	13	19.01	19.08	19.15	19.30	0-5	
			25	0	19.15	19.06	19.11	19.30	0-5	
			Frequency (MHz)			815.5	831.5	847.5	Target Power + Max. Tolerance (dBm)	MPR Allowed per 3GPP(dB)
			Channel			26705	26865	27025		
3		QPSK	1	0	23.98	24.08	24.11	24.30		
			1	7	24.02	24.02	24.02	24.30	0	
			1	14	24.03	24.02	24.14	24.30	0	
			8	0	23.05	23.12	23.16	23.30	0-1	
			8	4	23.01	23.01	23.15	23.30	0-1	
			8	7	23.08	23.10	23.04	23.30	0-1	
		16-QAM	15	0	23.15	23.09	23.11	23.30	0-1	
			1	0	23.19	23.16	23.16	23.30	0-1	
			1	7	23.14	23.16	23.07	23.30	0-1	
			1	14	23.10	23.00	23.04	23.30	0-1	
			8	0	22.03	22.06	22.02	22.30	0-2	
			8	4	22.10	22.07	22.05	22.30	0-2	
		64-QAM	8	7	22.19	22.15	22.00	22.30	0-2	
			15	0	22.14	22.18	22.07	22.30	0-2	
			1	0	22.16	22.05	22.02	22.30	0-2	
			1	7	22.17	22.14	22.18	22.30	0-2	
			1	14	22.12	22.18	22.10	22.30	0-2	
			8	0	21.11	21.07	21.19	21.30	0-3	
		256-QAM	8	4	21.18	21.00	21.05	21.30	0-3	
			8	7	21.00	21.17	21.19	21.30	0-3	
			15	0	21.04	21.00	21.11	21.30	0-3	
			1	0	19.17	19.13	19.19	19.30	0-5	
			1	7	19.15	19.02	19.17	19.30	0-5	
			1	14	19.14	19.15	19.09	19.30	0-5	
	3	QPSK	8	0	19.02	19.12	19.09	19.30	0-5	
			8	4	19.14	19.13	19.03	19.30	0-5	
			8	7	19.04	19.07	19.02	19.30	0-5	
			15	0	19.00	19.01	19.06	19.30	0-5	

Unless otherwise stated the results shown in this test report refer only to the sample(s) tested and such sample(s) are retained for 90 days only.

除非另有說明，此報告結果僅對測試之樣品負責，同時此樣品僅保留90天。本報告未經本公司書面許可，不可部份複製。

This document is issued by the Company subject to its General Conditions of Service printed overleaf, available on request or accessible at <http://www.sgs.com.tw/Terms-and-Conditions> and for electronic format documents, subject to Terms and Conditions for Electronic Documents at <http://www.sgs.com.tw/Terms-and-Conditions>. Attention is drawn to the limitation of liability, indemnification and jurisdiction issues defined therein. Any holder of this document is advised that information contained hereon reflects the Company's findings at the time of its intervention only and within the limits of Client's instructions, if any. The Company's sole responsibility is to its Client and this document does not exonerate parties to a transaction from exercising all their rights and obligations under the transaction documents. This document cannot be reproduced except in full, without prior written approval of the Company. Any unauthorized alteration, forgery or falsification of the content or appearance of this document is unlawful and offenders may be prosecuted to the fullest extent of the law.

LTE Band 26								
BW(Mhz)	Modulation	RB Size	RB Offset	Conducted power (dBm)			Target Power + Max. Tolerance (dBm)	MPR Allowed per 3GPP(dB)
Frequency (MHz)			814.7	831.5	848.3			
Channel			26697	26865	27033			
1.4	QPSK	1	0	24.12	24.08	24.10	24.30	0
		1	2	24.06	24.03	24.04	24.30	0
		1	5	24.16	24.11	24.09	24.30	0
		3	0	23.18	23.12	23.04	23.30	0-1
		3	2	23.03	23.05	23.15	23.30	0-1
		3	3	23.09	23.11	23.10	23.30	0-1
	16-QAM	6	0	23.14	23.11	23.03	23.30	0-1
		1	0	23.08	23.16	23.06	23.30	0-1
		1	2	23.06	23.01	23.09	23.30	0-1
		1	5	23.07	23.08	23.06	23.30	0-1
		3	0	22.10	22.13	22.00	22.30	0-2
		3	2	22.02	22.10	22.02	22.30	0-2
	64-QAM	3	3	22.16	22.11	22.02	22.30	0-2
		6	0	22.05	22.07	22.08	22.30	0-2
		1	0	22.02	22.03	22.03	22.30	0-2
		1	2	22.11	22.13	22.16	22.30	0-2
		1	5	22.08	22.14	22.19	22.30	0-2
		3	0	21.05	21.01	21.11	21.30	0-3
	256-QAM	3	2	21.12	21.11	21.09	21.30	0-3
		3	3	21.02	21.10	21.12	21.30	0-3
		6	0	21.14	21.01	21.07	21.30	0-3
		1	0	19.19	19.13	19.18	19.30	0-5
		1	2	19.05	19.13	19.16	19.30	0-5
		1	5	19.01	19.16	19.14	19.30	0-5
256-QAM	3	0	19.00	19.09	19.18	19.30	0-5	
	3	2	19.09	19.08	19.02	19.30	0-5	
	3	3	19.19	19.01	19.03	19.30	0-5	
	6	0	19.01	19.19	19.09	19.30	0-5	

Unless otherwise stated the results shown in this test report refer only to the sample(s) tested and such sample(s) are retained for 90 days only.

除非另有說明，此報告結果僅對測試之樣品負責，同時此樣品僅保留90天。本報告未經本公司書面許可，不可部份複製。

This document is issued by the Company subject to its General Conditions of Service printed overleaf, available on request or accessible at <http://www.sgs.com.tw/Terms-and-Conditions> and for electronic format documents, subject to Terms and Conditions for Electronic Documents at <http://www.sgs.com.tw/Terms-and-Conditions>. Attention is drawn to the limitation of liability, indemnification and jurisdiction issues defined therein. Any holder of this document is advised that information contained hereon reflects the Company's findings at the time of its intervention only and within the limits of Client's instructions, if any. The Company's sole responsibility is to its Client and this document does not exonerate parties to a transaction from exercising all their rights and obligations under the transaction documents. This document cannot be reproduced except in full, without prior written approval of the Company. Any unauthorized alteration, forgery or falsification of the content or appearance of this document is unlawful and offenders may be prosecuted to the fullest extent of the law.

LTE Band 30									
BW(Mhz)	Modulation	RB Size	RB Offset	Conducted power (dBm)			Target Power + Max. Tolerance (dBm)	MPR Allowed per 3GPP(dB)	
Frequency (MHz)			2310	2310	2310				
Channel			27710	27710	27710				
10	QPSK	1	0	20.14			20.20	0	
		1	25	19.90			20.20	0	
		1	49	19.92			20.20	0	
		25	0	19.89			20.20	0	
		25	12	19.91			20.20	0	
		25	25	19.87			20.20	0	
	16-QAM	50	0	19.88			20.20	0	
		1	0	19.99			20.20	0	
		1	25	20.02			20.20	0	
		1	49	19.97			20.20	0	
		25	0	19.90			20.20	0	
		25	12	19.98			20.20	0	
	64-QAM	25	25	19.90			20.20	0	
		50	0	19.97			20.20	0	
		1	0	19.97			20.20	0	
		1	25	19.83			20.20	0	
		1	49	19.95			20.20	0	
		25	0	19.92			20.20	0	
	256-QAM	25	12	20.00			20.20	0	
		25	25	19.87			20.20	0	
		50	0	19.95			20.20	0	
		1	0	19.87			20.20	0	
		1	25	19.85			20.20	0	
		1	49	19.86			20.20	0	
	Frequency (MHz)			2307.5	2310	2312.5	Target Power + Max. Tolerance (dBm)	MPR Allowed per 3GPP(dB)	
	Channel			27685	27710	27735			
	5	QPSK	1	0	19.83	19.93	19.99	20.20	0
			1	12	19.85	19.90	19.92	20.20	0
			1	24	20.02	19.83	19.98	20.20	0
			12	0	19.90	19.99	19.89	20.20	0
12			6	19.83	20.02	20.02	20.20	0	
12			13	19.91	19.88	19.84	20.20	0	
16-QAM		25	0	19.85	20.00	20.02	20.20	0	
		1	0	19.90	20.01	19.83	20.20	0	
		1	12	19.97	19.94	19.86	20.20	0	
		1	24	19.88	19.86	19.89	20.20	0	
		12	0	19.99	19.94	19.90	20.20	0	
		12	6	20.00	19.88	19.84	20.20	0	
64-QAM		12	13	19.85	19.84	19.83	20.20	0	
		25	0	19.96	19.83	19.84	20.20	0	
		1	0	19.93	19.94	19.93	20.20	0	
		1	12	20.01	19.84	19.89	20.20	0	
		1	24	19.88	19.87	19.97	20.20	0	
		12	0	19.92	19.89	20.01	20.20	0	
256-QAM		12	6	19.88	19.85	19.99	20.20	0	
		12	13	19.94	20.00	19.85	20.20	0	
		25	0	19.99	19.93	19.98	20.20	0	
		1	0	19.88	19.89	19.88	20.20	0	
		1	12	19.98	19.85	20.02	20.20	0	
		1	24	19.99	19.89	19.88	20.20	0	
12		0	19.87	19.84	19.85	20.20	0		
12		6	20.02	19.97	19.84	20.20	0		
12		13	19.92	19.90	19.93	20.20	0		
25		0	19.91	20.00	19.98	20.20	0		

Unless otherwise stated the results shown in this test report refer only to the sample(s) tested and such sample(s) are retained for 90 days only.

除非另有說明，此報告結果僅對測試之樣品負責，同時此樣品僅保留90天。本報告未經本公司書面許可，不可部份複製。

This document is issued by the Company subject to its General Conditions of Service printed overleaf, available on request or accessible at <http://www.sgs.com.tw/Terms-and-Conditions> and for electronic format documents, subject to Terms and Conditions for Electronic Documents at <http://www.sgs.com.tw/Terms-and-Conditions>. Attention is drawn to the limitation of liability, indemnification and jurisdiction issues defined therein. Any holder of this document is advised that information contained hereon reflects the Company's findings at the time of its intervention only and within the limits of Client's instructions, if any. The Company's sole responsibility is to its Client and this document does not exonerate parties to a transaction from exercising all their rights and obligations under the transaction documents. This document cannot be reproduced except in full, without prior written approval of the Company. Any unauthorized alteration, forgery or falsification of the content or appearance of this document is unlawful and offenders may be prosecuted to the fullest extent of the law.

LTE Band 66										
BW(Mhz)	Modulation	RB Size	RB Offset	Conducted power (dBm)			Target Power + Max. Tolerance (dBm)	MPR Allowed per 3GPP(dB)		
Frequency (MHz)			1720	1745	1770					
Channel			132072	132322	132572					
20	QPSK	1	0	19.21	19.19	19.27	19.40	0		
		1	50	19.06	19.15	19.03	19.40	0		
		1	99	19.10	19.02	19.03	19.40	0		
		50	0	19.17	19.16	19.09	19.40	0		
		50	25	19.16	19.14	19.13	19.40	0		
		50	50	19.13	19.12	19.19	19.40	0		
	16-QAM	100	0	19.06	19.01	19.11	19.40	0		
		1	0	19.03	19.05	19.01	19.40	0		
		1	50	19.07	19.15	19.20	19.40	0		
		1	99	19.09	19.05	19.15	19.40	0		
		50	0	19.09	19.17	19.02	19.40	0		
		50	25	19.08	19.05	19.19	19.40	0		
	64-QAM	50	50	19.10	19.09	19.15	19.40	0		
		100	0	19.17	19.19	19.20	19.40	0		
		1	0	19.02	19.06	19.07	19.40	0		
		1	50	19.12	19.02	19.06	19.40	0		
		1	99	19.15	19.06	19.15	19.40	0		
		50	0	19.12	19.10	19.10	19.40	0		
	256-QAM	50	25	19.18	19.16	19.02	19.40	0		
		50	50	19.18	19.05	19.13	19.40	0		
		100	0	19.18	19.01	19.14	19.40	0		
		1	0	19.06	19.12	19.20	19.40	0		
		1	50	19.06	19.18	19.17	19.40	0		
		1	99	19.06	19.15	19.18	19.40	0		
	15	QPSK	50	0	19.19	19.06	19.02	19.40	0	
			50	25	19.13	19.11	19.19	19.40	0	
			50	50	19.04	19.05	19.15	19.40	0	
			100	0	19.08	19.15	19.06	19.40	0	
			Frequency (MHz)			1717.5	1745	1772.5	Target Power + Max. Tolerance (dBm)	MPR Allowed per 3GPP(dB)
			Channel			132047	132322	132597		
15		QPSK	1	0	19.09	19.11	19.10	19.40	0	
			1	36	19.18	19.04	19.14	19.40	0	
			1	74	19.10	19.13	19.15	19.40	0	
			36	0	19.12	19.07	19.18	19.40	0	
			36	18	19.09	19.17	19.17	19.40	0	
			36	37	19.05	19.14	19.10	19.40	0	
		16-QAM	75	0	19.17	19.18	19.10	19.40	0	
			1	0	19.19	19.17	19.05	19.40	0	
			1	36	19.14	19.17	19.08	19.40	0	
			1	74	19.04	19.12	19.04	19.40	0	
			36	0	19.05	19.17	19.13	19.40	0	
			36	18	19.11	19.12	19.17	19.40	0	
		64-QAM	36	37	19.09	19.09	19.01	19.40	0	
			75	0	19.20	19.01	19.03	19.40	0	
			1	0	19.11	19.07	19.19	19.40	0	
			1	36	19.15	19.15	19.11	19.40	0	
			1	74	19.05	19.05	19.15	19.40	0	
			36	0	19.01	19.09	19.14	19.40	0	
		256-QAM	36	18	19.13	19.06	19.03	19.40	0	
			36	37	19.15	19.06	19.18	19.40	0	
			75	0	19.04	19.19	19.07	19.40	0	
			1	0	19.02	19.19	19.11	19.40	0	
			1	36	19.02	19.16	19.19	19.40	0	
			1	74	19.02	19.20	19.10	19.40	0	
	256-QAM	36	0	19.10	19.18	19.03	19.40	0		
		36	18	19.14	19.16	19.05	19.40	0		
		36	37	19.17	19.05	19.14	19.40	0		
		75	0	19.06	19.10	19.16	19.40	0		

Unless otherwise stated the results shown in this test report refer only to the sample(s) tested and such sample(s) are retained for 90 days only.

除非另有說明，此報告結果僅對測試之樣品負責，同時此樣品僅保留90天。本報告未經本公司書面許可，不可部份複製。

This document is issued by the Company subject to its General Conditions of Service printed overleaf, available on request or accessible at <http://www.sgs.com.tw/Terms-and-Conditions> and for electronic format documents, subject to Terms and Conditions for Electronic Documents at <http://www.sgs.com.tw/Terms-and-Conditions>. Attention is drawn to the limitation of liability, indemnification and jurisdiction issues defined therein. Any holder of this document is advised that information contained hereon reflects the Company's findings at the time of its intervention only and within the limits of Client's instructions, if any. The Company's sole responsibility is to its Client and this document does not exonerate parties to a transaction from exercising all their rights and obligations under the transaction documents. This document cannot be reproduced except in full, without prior written approval of the Company. Any unauthorized alteration, forgery or falsification of the content or appearance of this document is unlawful and offenders may be prosecuted to the fullest extent of the law.

LTE Band 66									
BW(Mhz)	Modulation	RB Size	RB Offset	Conducted power (dBm)			Target Power + Max. Tolerance (dBm)	MPR Allowed per 3GPP(dB)	
Frequency (MHz)			1715	1745	1775				
Channel			132022	132322	132622				
10	QPSK	1	0	19.14	19.08	19.08	19.40	0	
		1	25	19.05	19.16	19.11	19.40	0	
		1	49	19.11	19.18	19.12	19.40	0	
		25	0	19.18	19.11	19.11	19.40	0	
		25	12	19.06	19.11	19.17	19.40	0	
		25	25	19.12	19.19	19.14	19.40	0	
	16-QAM	50	0	19.11	19.08	19.07	19.40	0	
		1	0	19.13	19.03	19.15	19.40	0	
		1	25	19.07	19.02	19.01	19.40	0	
		1	49	19.19	19.02	19.18	19.40	0	
		25	0	19.15	19.01	19.06	19.40	0	
		25	12	19.18	19.08	19.18	19.40	0	
	64-QAM	25	25	19.14	19.03	19.03	19.40	0	
		50	0	19.04	19.14	19.19	19.40	0	
		1	0	19.02	19.01	19.08	19.40	0	
		1	25	19.12	19.19	19.20	19.40	0	
		1	49	19.10	19.09	19.19	19.40	0	
		25	0	19.16	19.09	19.13	19.40	0	
	256-QAM	25	12	19.14	19.16	19.12	19.40	0	
		25	25	19.07	19.19	19.18	19.40	0	
		50	0	19.19	19.15	19.06	19.40	0	
		1	0	19.19	19.11	19.16	19.40	0	
		1	25	19.01	19.05	19.10	19.40	0	
		1	49	19.20	19.01	19.09	19.40	0	
	Frequency (MHz)			1712.5	1745	1777.5	Target Power + Max. Tolerance (dBm)	MPR Allowed per 3GPP(dB)	
	Channel			131997	132322	132647			
	5	QPSK	1	0	19.01	19.17	19.14	19.40	0
			1	12	19.04	19.10	19.18	19.40	0
			1	24	19.10	18.99	19.03	19.40	0
			12	0	19.15	19.19	19.13	19.40	0
12			6	19.15	19.08	19.06	19.40	0	
12			13	19.07	19.02	19.11	19.40	0	
16-QAM		25	0	19.14	19.16	19.01	19.40	0	
		1	0	19.20	19.14	19.05	19.40	0	
		1	12	19.14	19.18	19.19	19.40	0	
		1	24	19.01	19.03	19.05	19.40	0	
		12	0	19.11	19.07	19.11	19.40	0	
		12	6	19.20	19.17	19.13	19.40	0	
64-QAM		12	13	19.15	19.11	19.14	19.40	0	
		25	0	19.19	19.04	19.01	19.40	0	
		1	0	19.07	19.03	19.12	19.40	0	
		1	12	19.13	19.06	19.15	19.40	0	
		1	24	19.20	19.08	19.19	19.40	0	
		12	0	19.20	19.06	19.12	19.40	0	
256-QAM		12	6	19.07	19.08	19.05	19.40	0	
		12	13	19.09	19.12	19.13	19.40	0	
		25	0	19.20	19.05	19.18	19.40	0	
		1	0	19.07	19.17	19.07	19.40	0	
		1	12	19.14	19.08	19.10	19.40	0	
		1	24	19.07	19.20	19.18	19.40	0	
Frequency (MHz)			1712.5	1745	1777.5	Target Power + Max. Tolerance (dBm)	MPR Allowed per 3GPP(dB)		
Channel			131997	132322	132647				
5		QPSK	1	0	19.01	19.17	19.14	19.40	0
			1	12	19.04	19.10	19.18	19.40	0
			1	24	19.10	18.99	19.03	19.40	0
			12	0	19.15	19.19	19.13	19.40	0
	12		6	19.15	19.08	19.06	19.40	0	
	12		13	19.07	19.02	19.11	19.40	0	
	16-QAM	25	0	19.14	19.16	19.01	19.40	0	
		1	0	19.20	19.14	19.05	19.40	0	
		1	12	19.14	19.18	19.19	19.40	0	
		1	24	19.01	19.03	19.05	19.40	0	
		12	0	19.11	19.07	19.11	19.40	0	
		12	6	19.20	19.17	19.13	19.40	0	
	64-QAM	12	13	19.15	19.11	19.14	19.40	0	
		25	0	19.19	19.04	19.01	19.40	0	
		1	0	19.07	19.03	19.12	19.40	0	
		1	12	19.13	19.06	19.15	19.40	0	
		1	24	19.20	19.08	19.19	19.40	0	
		12	0	19.20	19.06	19.12	19.40	0	
	256-QAM	12	6	19.07	19.08	19.05	19.40	0	
		12	13	19.09	19.12	19.13	19.40	0	
		25	0	19.20	19.05	19.18	19.40	0	
		1	0	19.07	19.17	19.07	19.40	0	
		1	12	19.14	19.08	19.10	19.40	0	
		1	24	19.07	19.20	19.18	19.40	0	

Unless otherwise stated the results shown in this test report refer only to the sample(s) tested and such sample(s) are retained for 90 days only.

除非另有說明，此報告結果僅對測試之樣品負責，同時此樣品僅保留90天。本報告未經本公司書面許可，不可部份複製。

This document is issued by the Company subject to its General Conditions of Service printed overleaf, available on request or accessible at <http://www.sgs.com.tw/Terms-and-Conditions> and for electronic format documents, subject to Terms and Conditions for Electronic Documents at <http://www.sgs.com.tw/Terms-and-Conditions>. Attention is drawn to the limitation of liability, indemnification and jurisdiction issues defined therein. Any holder of this document is advised that information contained hereon reflects the Company's findings at the time of its intervention only and within the limits of Client's instructions, if any. The Company's sole responsibility is to its Client and this document does not exonerate parties to a transaction from exercising all their rights and obligations under the transaction documents. This document cannot be reproduced except in full, without prior written approval of the Company. Any unauthorized alteration, forgery or falsification of the content or appearance of this document is unlawful and offenders may be prosecuted to the fullest extent of the law.

LTE Band 66									
BW(Mhz)	Modulation	RB Size	RB Offset	Conducted power (dBm)			Target Power + Max. Tolerance (dBm)	MPR Allowed per 3GPP(dB)	
Frequency (MHz)			1711.5	1745	1778.5				
Channel			131987	132322	132657				
3	QPSK	1	0	19.16	19.17	19.15	19.40	0	
		1	7	19.18	19.07	19.00	19.40	0	
		1	14	19.05	19.17	19.15	19.40	0	
		8	0	19.18	19.07	19.07	19.40	0	
		8	4	19.10	19.02	19.08	19.40	0	
		8	7	19.11	19.01	19.16	19.40	0	
	16-QAM	15	0	19.19	19.04	19.08	19.40	0	
		1	0	19.19	19.15	19.20	19.40	0	
		1	7	19.12	19.07	19.06	19.40	0	
		1	14	19.12	19.07	19.09	19.40	0	
		8	0	19.06	19.06	19.19	19.40	0	
		8	4	19.14	19.12	19.09	19.40	0	
	64-QAM	8	7	19.17	19.11	19.08	19.40	0	
		15	0	19.14	19.12	19.12	19.40	0	
		1	0	19.10	19.09	19.19	19.40	0	
		1	7	19.11	19.03	19.01	19.40	0	
		1	14	19.14	19.19	19.04	19.40	0	
		8	0	19.17	19.12	19.10	19.40	0	
	256-QAM	8	4	19.03	19.01	19.09	19.40	0	
		8	7	19.18	19.18	19.15	19.40	0	
		15	0	19.13	19.07	19.09	19.40	0	
		1	0	19.19	19.12	19.02	19.40	0	
		1	7	19.02	19.16	19.11	19.40	0	
		1	14	19.13	19.08	19.07	19.40	0	
1.4	QPSK	8	0	19.10	19.16	19.02	19.40	0	
		8	4	19.13	19.01	19.01	19.40	0	
		8	7	19.08	19.19	19.13	19.40	0	
		15	0	19.13	19.15	19.19	19.40	0	
		Frequency (MHz)			1710.7	1745	1779.3	Target Power + Max. Tolerance (dBm)	MPR Allowed per 3GPP(dB)
		Channel			131979	132322	132665		
	1.4	QPSK	1	0	19.01	19.10	19.12	19.40	0
			1	2	19.08	19.17	19.18	19.40	0
			1	5	19.00	19.06	19.15	19.40	0
			3	0	19.08	19.15	19.06	19.40	0
			3	2	19.12	19.17	19.07	19.40	0
			3	3	19.09	19.02	19.16	19.40	0
		16-QAM	6	0	19.20	19.10	19.04	19.40	0
			1	0	19.11	19.20	19.17	19.40	0
			1	2	19.02	19.03	19.16	19.40	0
			1	5	19.07	19.19	19.07	19.40	0
			3	0	19.10	19.15	19.16	19.40	0
			3	2	19.08	19.03	19.20	19.40	0
		64-QAM	3	3	19.14	19.09	19.06	19.40	0
			6	0	19.18	19.17	19.19	19.40	0
			1	0	19.04	19.17	19.01	19.40	0
			1	2	19.09	19.13	19.09	19.40	0
			1	5	19.19	19.08	19.12	19.40	0
			3	0	19.04	19.09	19.06	19.40	0
256-QAM		3	2	19.20	19.16	19.03	19.40	0	
		3	3	19.12	19.06	19.10	19.40	0	
		6	0	19.19	19.02	19.19	19.40	0	
		1	0	19.17	19.14	19.15	19.40	0	
		1	2	19.08	19.03	19.01	19.40	0	
		1	5	19.09	19.14	19.08	19.40	0	

Unless otherwise stated the results shown in this test report refer only to the sample(s) tested and such sample(s) are retained for 90 days only.

除非另有說明，此報告結果僅對測試之樣品負責，同時此樣品僅保留90天。本報告未經本公司書面許可，不可部份複製。

This document is issued by the Company subject to its General Conditions of Service printed overleaf, available on request or accessible at <http://www.sgs.com.tw/Terms-and-Conditions> and for electronic format documents, subject to Terms and Conditions for Electronic Documents at <http://www.sgs.com.tw/Terms-and-Conditions>. Attention is drawn to the limitation of liability, indemnification and jurisdiction issues defined therein. Any holder of this document is advised that information contained hereon reflects the Company's findings at the time of its intervention only and within the limits of Client's instructions, if any. The Company's sole responsibility is to its Client and this document does not exonerate parties to a transaction from exercising all their rights and obligations under the transaction documents. This document cannot be reproduced except in full, without prior written approval of the Company. Any unauthorized alteration, forgery or falsification of the content or appearance of this document is unlawful and offenders may be prosecuted to the fullest extent of the law.

Notebook mode

Tx5-LTE TDD Band 38 / Band 41 power table:

LTE Band 38									
BW(Mhz)	Modulation	RB Size	RB Offset	Conducted power (dBm)			Target Power + Max. Tolerance (dBm)	MPR Allowed per 3GPP(dB)	
Frequency (MHz)				2580	2595	2610			
Channel				37850	38000	38150			
20	QPSK	1	0	22.14	22.10	22.09	22.20	0	
		1	50	22.03	21.90	21.93	22.20	0	
		1	99	22.05	22.05	22.05	22.20	0	
		50	0	20.95	20.97	20.98	21.20	0-1	
		50	25	21.00	20.92	20.96	21.20	0-1	
		50	50	20.90	21.03	20.91	21.20	0-1	
	16-QAM	100	0	20.99	20.95	20.90	21.20	0-1	
		1	0	20.95	20.95	21.01	21.20	0-1	
		1	50	20.91	21.01	21.05	21.20	0-1	
		1	99	21.00	21.07	20.89	21.20	0-1	
		50	0	20.03	19.89	19.90	20.20	0-2	
		50	25	20.01	20.07	19.98	20.20	0-2	
	64-QAM	50	50	19.90	19.89	19.90	20.20	0-2	
		100	0	20.05	19.95	19.97	20.20	0-2	
		1	0	19.91	20.07	19.95	20.20	0-2	
		1	50	19.88	20.00	19.99	20.20	0-2	
		1	99	20.06	19.95	20.03	20.20	0-2	
		50	0	19.04	18.91	19.05	19.20	0-3	
	256-QAM	50	25	18.92	19.02	18.98	19.20	0-3	
		50	50	19.01	18.90	19.06	19.20	0-3	
		100	0	18.91	18.94	18.91	19.20	0-3	
		1	0	16.91	17.01	16.96	17.20	0-5	
		1	50	16.94	16.93	17.07	17.20	0-5	
		1	99	16.95	16.96	17.03	17.20	0-5	
	Frequency (MHz)				2577.5	2595	2612.5	Target Power + Max. Tolerance (dBm)	MPR Allowed per 3GPP(dB)
	Channel				37825	38000	38175		
	15	QPSK	1	0	22.06	21.90	22.02	22.20	0
			1	36	22.05	21.90	21.99	22.20	0
1			74	21.90	21.90	22.05	22.20	0	
36			0	20.99	21.03	20.98	21.20	0-1	
36			18	21.04	21.06	20.94	21.20	0-1	
36			37	20.92	20.90	21.03	21.20	0-1	
16-QAM		75	0	21.04	20.98	21.06	21.20	0-1	
		1	0	21.04	21.03	21.02	21.20	0-1	
		1	36	20.88	20.95	21.03	21.20	0-1	
		1	74	21.07	21.06	20.94	21.20	0-1	
		36	0	19.91	20.01	20.07	20.20	0-2	
		36	18	19.96	20.03	20.02	20.20	0-2	
64-QAM		36	37	19.92	19.89	20.01	20.20	0-2	
		75	0	19.91	20.05	19.98	20.20	0-2	
		1	0	19.89	20.02	19.95	20.20	0-2	
		1	36	19.91	19.93	19.89	20.20	0-2	
		1	74	19.89	19.98	20.03	20.20	0-2	
		36	0	18.96	18.95	18.90	19.20	0-3	
256-QAM		36	18	19.07	18.88	18.97	19.20	0-3	
		36	37	18.98	18.91	18.97	19.20	0-3	
		75	0	18.94	18.92	19.00	19.20	0-3	
		1	0	17.03	16.97	16.89	17.20	0-5	
		1	36	16.89	16.92	16.90	17.20	0-5	
		1	74	17.05	16.96	17.05	17.20	0-5	
Frequency (MHz)				2577.5	2595	2612.5	Target Power + Max. Tolerance (dBm)	MPR Allowed per 3GPP(dB)	
Channel				37825	38000	38175			
15		QPSK	36	0	20.95	20.97	20.98	21.20	0-1
			36	18	21.04	21.06	20.94	21.20	0-1
	36		37	20.92	20.90	21.03	21.20	0-1	
	75		0	21.04	20.98	21.06	21.20	0-1	
	16-QAM	1	0	21.04	21.03	21.02	21.20	0-1	
		1	36	20.88	20.95	21.03	21.20	0-1	
		1	74	21.07	21.06	20.94	21.20	0-1	
		36	0	19.91	20.01	20.07	20.20	0-2	
	64-QAM	36	18	19.96	20.03	20.02	20.20	0-2	
		36	37	19.92	19.89	20.01	20.20	0-2	
		75	0	19.91	20.05	19.98	20.20	0-2	
		1	0	19.89	20.02	19.95	20.20	0-2	
256-QAM	1	36	16.89	16.92	16.90	17.20	0-5		
	1	74	17.05	16.96	17.05	17.20	0-5		
	36	0	16.90	17.04	16.93	17.20	0-5		
	36	18	16.91	17.06	16.99	17.20	0-5		
15	QPSK	36	37	16.92	17.01	16.93	17.20	0-5	
		75	0	17.03	16.96	16.95	17.20	0-5	

Unless otherwise stated the results shown in this test report refer only to the sample(s) tested and such sample(s) are retained for 90 days only.

除非另有說明，此報告結果僅對測試之樣品負責，同時此樣品僅保留90天。本報告未經本公司書面許可，不可部份複製。

This document is issued by the Company subject to its General Conditions of Service printed overleaf, available on request or accessible at <http://www.sgs.com.tw/Terms-and-Conditions> and for electronic format documents, subject to Terms and Conditions for Electronic Documents at <http://www.sgs.com.tw/Terms-and-Conditions>. Attention is drawn to the limitation of liability, indemnification and jurisdiction issues defined therein. Any holder of this document is advised that information contained hereon reflects the Company's findings at the time of its intervention only and within the limits of Client's instructions, if any. The Company's sole responsibility is to its Client and this document does not exonerate parties to a transaction from exercising all their rights and obligations under the transaction documents. This document cannot be reproduced except in full, without prior written approval of the Company. Any unauthorized alteration, forgery or falsification of the content or appearance of this document is unlawful and offenders may be prosecuted to the fullest extent of the law.

LTE Band 38										
BW(Mhz)	Modulation	RB Size	RB Offset	Conducted power (dBm)			Target Power + Max. Tolerance (dBm)	MPR Allowed per 3GPP(dB)		
Frequency (MHz)			2575	2595	2615					
Channel			37800	38000	38200					
10	QPSK	1	0	22.05	21.94	21.95	22.20	0		
		1	25	21.95	22.03	22.00	22.20	0		
		1	49	21.91	21.98	21.99	22.20	0		
		25	0	21.03	20.95	20.99	21.20	0-1		
		25	12	20.92	20.97	20.95	21.20	0-1		
		25	25	20.96	21.00	20.91	21.20	0-1		
	16-QAM	50	0	20.95	20.95	21.01	21.20	0-1		
		1	0	21.02	20.92	20.90	21.20	0-1		
		1	25	20.88	20.89	20.99	21.20	0-1		
		1	49	20.97	21.04	21.00	21.20	0-1		
		25	0	20.07	19.88	19.89	20.20	0-2		
		25	12	20.07	20.05	19.94	20.20	0-2		
	64-QAM	25	25	20.05	20.04	19.96	20.20	0-2		
		50	0	19.90	20.00	19.97	20.20	0-2		
		1	0	20.02	19.89	20.00	20.20	0-2		
		1	25	20.05	20.02	20.05	20.20	0-2		
		1	49	19.99	19.89	19.95	20.20	0-2		
		25	0	19.00	19.03	18.97	19.20	0-3		
	256-QAM	25	12	19.06	18.90	18.95	19.20	0-3		
		25	25	18.88	19.05	18.93	19.20	0-3		
		50	0	19.07	19.03	18.92	19.20	0-3		
		1	0	17.06	16.94	17.01	17.20	0-5		
		1	25	16.93	17.00	16.92	17.20	0-5		
		1	49	17.06	16.90	16.91	17.20	0-5		
	5	QPSK	25	0	17.02	16.90	16.91	17.20	0-5	
			25	12	16.92	17.02	16.96	17.20	0-5	
			25	25	16.97	16.90	16.99	17.20	0-5	
			50	0	16.95	16.99	16.97	17.20	0-5	
			Frequency (MHz)			2572.5	2595	2617.5	Target Power + Max. Tolerance (dBm)	MPR Allowed per 3GPP(dB)
			Channel			37775	38000	38225		
		5	QPSK	1	0	21.96	21.92	21.97	22.20	0
				1	12	21.98	21.96	22.05	22.20	0
				1	24	22.07	22.03	22.04	22.20	0
				12	0	20.93	20.90	21.06	21.20	0-1
				12	6	20.96	21.04	20.92	21.20	0-1
12				13	20.88	20.98	20.94	21.20	0-1	
16-QAM			25	0	21.06	20.90	21.05	21.20	0-1	
			1	0	21.07	20.88	21.02	21.20	0-1	
			1	12	20.94	20.96	20.96	21.20	0-1	
			1	24	20.98	20.98	20.99	21.20	0-1	
			12	0	20.05	19.93	20.00	20.20	0-2	
			12	6	19.90	20.05	20.01	20.20	0-2	
64-QAM			12	13	19.94	20.00	19.99	20.20	0-2	
			25	0	19.97	20.02	19.88	20.20	0-2	
			1	0	20.07	19.89	20.07	20.20	0-2	
			1	12	20.00	20.00	20.01	20.20	0-2	
			1	24	20.06	20.03	19.92	20.20	0-2	
			12	0	19.04	19.02	18.94	19.20	0-3	
256-QAM			12	6	19.05	19.05	18.90	19.20	0-3	
			12	13	18.89	18.94	19.03	19.20	0-3	
			25	0	19.04	19.07	18.96	19.20	0-3	
			1	0	17.04	16.90	17.05	17.20	0-5	
			1	12	16.90	16.90	17.04	17.20	0-5	
			1	24	16.90	17.02	17.07	17.20	0-5	
			256-QAM	12	0	16.93	17.05	17.00	17.20	0-5
				12	6	17.02	16.99	16.90	17.20	0-5
				12	13	16.95	17.05	16.95	17.20	0-5
				25	0	17.00	17.01	17.03	17.20	0-5

Unless otherwise stated the results shown in this test report refer only to the sample(s) tested and such sample(s) are retained for 90 days only.

除非另有說明，此報告結果僅對測試之樣品負責，同時此樣品僅保留90天。本報告未經本公司書面許可，不可部份複製。

This document is issued by the Company subject to its General Conditions of Service printed overleaf, available on request or accessible at <http://www.sgs.com.tw/Terms-and-Conditions> and for electronic format documents, subject to Terms and Conditions for Electronic Documents at <http://www.sgs.com.tw/Terms-and-Conditions>. Attention is drawn to the limitation of liability, indemnification and jurisdiction issues defined therein. Any holder of this document is advised that information contained hereon reflects the Company's findings at the time of its intervention only and within the limits of Client's instructions, if any. The Company's sole responsibility is to its Client and this document does not exonerate parties to a transaction from exercising all their rights and obligations under the transaction documents. This document cannot be reproduced except in full, without prior written approval of the Company. Any unauthorized alteration, forgery or falsification of the content or appearance of this document is unlawful and offenders may be prosecuted to the fullest extent of the law.

LTE Band 41												
BW(Mhz)	Modulation	RB Size	RB Offset	Conducted power (dBm)					Target Power + Max. Tolerance (dBm)	MPR Allowed per 3GPP(dB)		
Frequency (MHz)				2506	2549.5	2593	2636.5	2680				
Channel				39750	40185	40620	41055	41490				
20	QPSK	1	0	22.21	22.16	22.18	22.23	22.14	22.30	0		
		1	50	21.98	22.07	22.10	21.97	22.07	22.30	0		
		1	99	21.99	22.05	21.94	22.10	22.10	22.30	0		
		50	0	21.05	21.06	21.04	21.07	21.12	21.30	-0.1		
		50	25	21.06	21.03	20.94	21.10	21.08	21.30	-0.1		
		50	50	20.96	20.95	21.01	21.02	21.09	21.30	-0.1		
		100	0	21.04	21.07	21.08	21.09	21.04	21.30	-0.1		
		1	0	20.95	21.02	21.11	21.06	20.94	21.30	-0.1		
		1	50	21.12	21.04	20.96	20.95	21.11	21.30	-0.1		
		1	99	21.06	21.08	21.00	21.00	21.01	21.30	-0.1		
	16-QAM	50	0	20.05	19.95	20.04	20.05	20.07	20.30	-0.2		
		50	25	20.12	20.13	20.00	20.00	20.00	20.30	-0.2		
		50	50	19.99	20.03	19.99	20.02	20.04	20.30	-0.2		
		100	0	19.95	20.10	20.06	20.05	20.11	20.30	-0.2		
		1	0	20.04	20.02	20.08	20.04	19.97	20.30	-0.2		
		1	50	20.05	19.94	20.07	20.02	19.99	20.30	-0.2		
		1	99	20.09	20.02	20.11	19.95	20.05	20.30	-0.2		
		50	0	19.13	19.04	18.94	18.99	18.94	19.30	-0.3		
		50	25	18.97	19.07	19.07	19.05	19.02	19.30	-0.3		
		50	50	19.10	19.13	18.94	18.95	19.10	19.30	-0.3		
	64-QAM	100	0	19.09	19.01	18.99	19.08	19.03	19.30	-0.3		
		1	0	16.97	16.98	17.10	17.03	17.01	17.30	-0.5		
		1	50	17.04	17.08	17.07	16.99	17.05	17.30	-0.5		
		1	99	17.11	17.11	17.07	16.95	16.98	17.30	-0.5		
		50	0	17.08	17.12	17.02	17.08	16.95	17.30	-0.5		
		50	25	17.02	17.11	16.95	16.96	17.05	17.30	-0.5		
		50	50	17.04	16.94	16.96	17.11	17.13	17.30	-0.5		
		100	0	17.08	16.97	17.05	16.98	16.94	17.30	-0.5		
		Frequency (MHz)				2503.5	2548.3	2593	2637.8	2682.5	Target Power + Max. Tolerance (dBm)	MPR Allowed per 3GPP(dB)
		Channel				39725	40173	40620	41068	41515		
	15	QPSK	1	0	22.12	22.09	22.00	22.12	22.02	22.30	0	
			1	36	22.00	21.98	22.11	22.07	22.01	22.30	0	
			1	74	22.02	21.98	22.11	22.07	22.11	22.30	0	
			36	0	21.01	21.00	21.07	20.94	20.98	21.30	-0.1	
			36	18	21.05	20.94	21.12	20.95	21.00	21.30	-0.1	
			36	37	21.10	21.01	20.97	21.11	21.07	21.30	-0.1	
			75	0	21.00	21.06	21.03	21.04	21.04	21.30	-0.1	
			1	0	21.02	20.94	21.06	21.02	21.13	21.30	-0.1	
			1	36	21.01	21.03	21.02	20.95	20.94	21.30	-0.1	
			1	74	21.11	20.94	20.95	21.00	21.11	21.30	-0.1	
16-QAM		36	0	19.98	19.95	20.11	19.99	19.95	20.30	-0.2		
		36	18	19.97	19.99	20.01	20.02	19.96	20.30	-0.2		
		36	37	20.02	19.98	20.00	19.96	20.13	20.30	-0.2		
		75	0	20.01	19.94	19.98	19.94	20.03	20.30	-0.2		
		1	0	20.04	20.13	20.07	19.97	20.03	20.30	-0.2		
		1	36	20.12	20.11	20.08	20.13	20.13	20.30	-0.2		
		1	74	20.04	20.07	19.99	20.05	19.98	20.30	-0.2		
		36	0	19.13	19.10	19.13	19.02	19.11	19.30	-0.3		
		36	18	19.08	19.07	18.96	18.98	18.95	19.30	-0.3		
		36	37	18.94	18.94	19.01	19.03	18.96	19.30	-0.3		
64-QAM		75	0	19.02	19.09	19.12	18.98	18.96	19.30	-0.3		
		1	0	17.06	17.12	17.05	16.98	16.94	17.30	-0.5		
		1	36	17.13	16.96	17.13	16.95	17.12	17.30	-0.5		
		1	74	17.13	16.97	17.12	17.09	17.11	17.30	-0.5		
		36	0	17.06	17.02	17.03	17.11	17.00	17.30	-0.5		
		36	18	16.97	17.02	17.12	17.10	17.12	17.30	-0.5		
		36	37	17.02	17.04	17.09	17.09	17.03	17.30	-0.5		
		75	0	17.05	17.00	17.03	17.12	17.13	17.30	-0.5		
		Frequency (MHz)				2503.5	2548.3	2593	2637.8	2682.5	Target Power + Max. Tolerance (dBm)	MPR Allowed per 3GPP(dB)
		Channel				39725	40173	40620	41068	41515		

Unless otherwise stated the results shown in this test report refer only to the sample(s) tested and such sample(s) are retained for 90 days only.

除非另有說明，此報告結果僅對測試之樣品負責，同時此樣品僅保留90天。本報告未經本公司書面許可，不可部份複製。

This document is issued by the Company subject to its General Conditions of Service printed overleaf, available on request or accessible at <http://www.sgs.com.tw/Terms-and-Conditions> and for electronic format documents, subject to Terms and Conditions for Electronic Documents at <http://www.sgs.com.tw/Terms-and-Conditions>. Attention is drawn to the limitation of liability, indemnification and jurisdiction issues defined therein. Any holder of this document is advised that information contained hereon reflects the Company's findings at the time of its intervention only and within the limits of Client's instructions, if any. The Company's sole responsibility is to its Client and this document does not exonerate parties to a transaction from exercising all their rights and obligations under the transaction documents. This document cannot be reproduced except in full, without prior written approval of the Company. Any unauthorized alteration, forgery or falsification of the content or appearance of this document is unlawful and offenders may be prosecuted to the fullest extent of the law.

LTE Band 41												
BW(Mhz)	Modulation	RB Size	RB Offset	Conducted power (dBm)					Target Power + Max. Tolerance (dBm)	MPR Allowed per 3GPP(dB)		
Frequency (MHz)				2501	2547	2593	2639	2685				
Channel				39700	40160	40620	41080	41540				
10	QPSK	1	0	22.13	21.95	22.09	21.95	22.00	22.30	0		
		1	25	22.07	21.99	22.11	22.13	21.95	22.30	0		
		1	49	22.10	22.12	22.01	21.94	22.13	22.30	0		
		25	0	21.06	20.95	20.94	20.99	21.03	21.30	-0.1		
		25	12	21.04	21.08	21.04	20.94	21.08	21.30	-0.1		
		25	25	21.12	21.03	21.00	20.94	20.98	21.30	-0.1		
		50	0	21.00	21.05	21.00	20.97	20.98	21.30	-0.1		
		1	0	21.00	21.08	20.95	20.99	21.10	21.30	-0.1		
		1	25	21.05	21.06	21.05	21.12	20.97	21.30	-0.1		
		1	49	20.99	21.00	21.06	20.99	21.06	21.30	-0.1		
	16-QAM	25	0	19.95	20.09	20.08	19.98	20.04	20.30	-0.2		
		25	12	19.96	20.08	19.98	20.12	20.01	20.30	-0.2		
		25	25	20.05	20.00	20.03	20.01	19.98	20.30	-0.2		
		50	0	19.95	19.97	20.03	20.05	20.08	20.30	-0.2		
		1	0	20.01	19.97	20.05	19.94	20.08	20.30	-0.2		
		1	25	19.95	19.96	19.98	19.97	19.96	20.30	-0.2		
		1	49	20.04	20.12	19.97	20.09	20.08	20.30	-0.2		
		25	0	18.95	19.03	19.00	18.99	19.10	19.30	-0.3		
		25	12	19.03	19.06	18.97	19.06	19.01	19.30	-0.3		
		25	25	19.00	19.13	19.09	19.00	19.05	19.30	-0.3		
	64-QAM	50	0	19.08	18.96	19.02	18.97	19.05	19.30	-0.3		
		1	0	17.13	16.99	17.10	17.12	17.06	17.30	-0.5		
		1	25	16.96	17.01	17.13	16.96	16.98	17.30	-0.5		
		1	49	17.06	16.98	17.07	17.10	16.99	17.30	-0.5		
		25	0	17.03	17.04	17.01	17.05	17.06	17.30	-0.5		
		25	12	17.02	17.05	16.96	17.03	17.13	17.30	-0.5		
		25	25	17.07	17.09	17.01	17.02	16.96	17.30	-0.5		
		50	0	17.13	17.04	16.95	17.05	17.10	17.30	-0.5		
		Frequency (MHz)				2498.5	2547.8	2593	2640.3	2687.5	Target Power + Max. Tolerance (dBm)	MPR Allowed per 3GPP(dB)
		Channel				39675	40148	40620	41093	41565		
5	QPSK	1	0	22.03	22.11	21.96	21.98	22.10	22.30	0		
		1	12	22.11	22.03	22.09	22.06	21.98	22.30	0		
		1	24	22.01	21.96	21.97	21.99	22.02	22.30	0		
		12	0	21.08	21.13	21.11	21.11	21.09	21.30	-0.1		
		12	6	21.06	21.12	20.95	21.01	20.95	21.30	-0.1		
		12	13	21.10	21.01	21.07	20.98	21.01	21.30	-0.1		
		25	0	20.94	21.13	21.13	21.08	21.01	21.30	-0.1		
		1	0	21.05	21.06	21.01	21.03	21.13	21.30	-0.1		
		1	12	21.12	21.11	21.07	20.96	21.05	21.30	-0.1		
		1	24	21.13	20.96	20.96	21.00	21.03	21.30	-0.1		
	16-QAM	12	0	19.97	19.98	20.00	20.08	20.12	20.30	-0.2		
		12	6	20.01	20.12	19.98	20.01	20.09	20.30	-0.2		
		12	13	20.12	19.97	19.99	19.97	20.06	20.30	-0.2		
		25	0	20.06	19.96	20.05	20.00	20.07	20.30	-0.2		
		1	0	19.98	20.04	19.95	19.99	19.99	20.30	-0.2		
		1	12	20.10	19.98	20.06	19.98	20.08	20.30	-0.2		
		1	24	20.10	20.00	20.05	19.94	20.09	20.30	-0.2		
		12	0	18.98	18.94	19.04	18.95	18.94	19.30	-0.3		
		12	6	18.94	18.96	19.02	19.13	19.13	19.30	-0.3		
		12	13	18.95	18.99	18.94	19.07	19.02	19.30	-0.3		
	64-QAM	25	0	19.11	18.98	19.05	19.12	19.13	19.30	-0.3		
		1	0	17.08	16.97	17.00	17.11	17.13	17.30	-0.5		
		1	12	16.99	17.01	17.00	16.96	17.09	17.30	-0.5		
		1	24	17.00	16.98	17.05	17.03	16.96	17.30	-0.5		
		12	0	17.07	17.04	16.96	17.04	16.96	17.30	-0.5		
		12	6	17.03	17.09	17.08	16.95	16.94	17.30	-0.5		
		12	13	16.97	17.04	17.07	16.97	16.99	17.30	-0.5		
		25	0	17.11	16.96	17.09	16.99	17.03	17.30	-0.5		
		Frequency (MHz)				2498.5	2547.8	2593	2640.3	2687.5	Target Power + Max. Tolerance (dBm)	MPR Allowed per 3GPP(dB)
		Channel				39675	40148	40620	41093	41565		

Unless otherwise stated the results shown in this test report refer only to the sample(s) tested and such sample(s) are retained for 90 days only.

除非另有說明，此報告結果僅對測試之樣品負責，同時此樣品僅保留90天。本報告未經本公司書面許可，不可部份複製。

This document is issued by the Company subject to its General Conditions of Service printed overleaf, available on request or accessible at <http://www.sgs.com.tw/Terms-and-Conditions> and for electronic format documents, subject to Terms and Conditions for Electronic Documents at <http://www.sgs.com.tw/Terms-and-Conditions>. Attention is drawn to the limitation of liability, indemnification and jurisdiction issues defined therein. Any holder of this document is advised that information contained hereon reflects the Company's findings at the time of its intervention only and within the limits of Client's instructions, if any. The Company's sole responsibility is to its Client and this document does not exonerate parties to a transaction from exercising all their rights and obligations under the transaction documents. This document cannot be reproduced except in full, without prior written approval of the Company. Any unauthorized alteration, forgery or falsification of the content or appearance of this document is unlawful and offenders may be prosecuted to the fullest extent of the law.

LTE Band 41 (HPUE)												
BW(MHz)	Modulation	RB Size	RB Offset	Conducted power (dBm)					Target Power + Max. Tolerance (dBm)	MPR Allowed per 3GPP(dB)		
Frequency (MHz)				2506	2549.5	2593	2636.5	2680				
Channel				39750	40185	40620	41055	41490				
20	QPSK	1	0	23.76	23.65	23.80	23.58	23.68	23.90	0		
		1	50	23.48	23.57	23.56	23.45	23.39	23.90	0		
		1	99	23.49	23.40	23.43	23.45	23.55	23.90	0		
		50	0	22.42	22.53	22.39	22.55	22.48	22.90	-0.1		
		50	25	22.52	22.50	22.53	22.50	22.56	22.90	-0.1		
		50	50	22.54	22.50	22.46	22.57	22.47	22.90	-0.1		
		100	0	22.56	22.49	22.43	22.53	22.50	22.90	-0.1		
		1	0	22.57	22.53	22.52	22.46	22.43	22.90	-0.1		
		1	50	22.54	22.46	22.42	22.47	22.49	22.90	-0.1		
		1	99	22.50	22.54	22.54	22.38	22.38	22.90	-0.1		
	16-QAM	50	0	21.55	21.50	21.51	21.40	21.57	21.90	-0.2		
		50	25	21.54	21.56	21.48	21.41	21.43	21.90	-0.2		
		50	50	21.57	21.40	21.41	21.57	21.46	21.90	-0.2		
		100	0	21.50	21.44	21.44	21.42	21.43	21.90	-0.2		
		1	0	21.48	21.39	21.45	21.57	21.57	21.90	-0.2		
		1	50	21.47	21.50	21.56	21.45	21.57	21.90	-0.2		
		1	99	21.40	21.42	21.57	21.45	21.57	21.90	-0.2		
		50	0	20.38	20.54	20.50	20.53	20.52	20.90	-0.3		
		50	25	20.48	20.47	20.40	20.47	20.43	20.90	-0.3		
		50	50	20.56	20.57	20.55	20.56	20.57	20.90	-0.3		
	256-QAM	100	0	20.48	20.55	20.41	20.38	20.53	20.90	-0.3		
		1	0	18.42	18.57	18.47	18.43	18.54	18.90	-0.5		
		1	50	18.45	18.48	18.48	18.47	18.57	18.90	-0.5		
		1	99	18.38	18.53	18.40	18.52	18.50	18.90	-0.5		
		50	0	18.57	18.55	18.55	18.56	18.50	18.90	-0.5		
		50	25	18.50	18.43	18.48	18.40	18.48	18.90	-0.5		
		50	50	18.57	18.52	18.55	18.47	18.47	18.90	-0.5		
		100	0	18.49	18.45	18.55	18.38	18.52	18.90	-0.5		
		Frequency (MHz)				2503.5	2548.3	2593	2637.8	2682.5	Target Power + Max. Tolerance (dBm)	MPR Allowed per 3GPP(dB)
		Channel				39725	40173	40620	41068	41515		
15	QPSK	1	0	23.49	23.38	23.50	23.57	23.53	23.90	0		
		1	36	23.48	23.42	23.52	23.56	23.52	23.90	0		
		1	74	23.43	23.44	23.49	23.53	23.49	23.90	0		
		36	0	22.52	22.45	22.48	22.44	22.48	22.90	-0.1		
		36	18	22.47	22.38	22.52	22.44	22.52	22.90	-0.1		
		36	37	22.51	22.41	22.39	22.53	22.41	22.90	-0.1		
		75	0	22.54	22.42	22.57	22.53	22.43	22.90	-0.1		
		1	0	22.43	22.46	22.43	22.38	22.41	22.90	-0.1		
		1	36	22.39	22.56	22.54	22.55	22.57	22.90	-0.1		
		1	74	22.40	22.39	22.51	22.46	22.48	22.90	-0.1		
	16-QAM	36	0	21.39	21.47	21.48	21.44	21.52	21.90	-0.2		
		36	18	21.51	21.41	21.55	21.52	21.46	21.90	-0.2		
		36	37	21.54	21.42	21.54	21.47	21.39	21.90	-0.2		
		75	0	21.47	21.44	21.52	21.50	21.40	21.90	-0.2		
		1	0	21.56	21.54	21.48	21.45	21.49	21.90	-0.2		
		1	36	21.47	21.46	21.44	21.50	21.43	21.90	-0.2		
		1	74	21.52	21.43	21.42	21.46	21.56	21.90	-0.2		
		36	0	20.46	20.44	20.38	20.39	20.40	20.90	-0.3		
		36	18	20.49	20.54	20.47	20.43	20.42	20.90	-0.3		
		36	37	20.54	20.42	20.38	20.45	20.54	20.90	-0.3		
	256-QAM	75	0	20.49	20.39	20.39	20.44	20.38	20.90	-0.3		
		1	0	18.50	18.43	18.38	18.44	18.47	18.90	-0.5		
		1	36	18.51	18.45	18.38	18.43	18.48	18.90	-0.5		
		1	74	18.56	18.39	18.40	18.43	18.38	18.90	-0.5		
		36	0	18.40	18.48	18.49	18.41	18.45	18.90	-0.5		
		36	18	18.38	18.48	18.42	18.43	18.45	18.90	-0.5		
		36	37	18.55	18.49	18.46	18.53	18.44	18.90	-0.5		
		75	0	18.50	18.49	18.42	18.41	18.56	18.90	-0.5		

Unless otherwise stated the results shown in this test report refer only to the sample(s) tested and such sample(s) are retained for 90 days only.

除非另有說明，此報告結果僅對測試之樣品負責，同時此樣品僅保留90天。本報告未經本公司書面許可，不可部份複製。

This document is issued by the Company subject to its General Conditions of Service printed overleaf, available on request or accessible at <http://www.sgs.com.tw/Terms-and-Conditions> and for electronic format documents, subject to Terms and Conditions for Electronic Documents at <http://www.sgs.com.tw/Terms-and-Conditions>. Attention is drawn to the limitation of liability, indemnification and jurisdiction issues defined therein. Any holder of this document is advised that information contained hereon reflects the Company's findings at the time of its intervention only and within the limits of Client's instructions, if any. The Company's sole responsibility is to its Client and this document does not exonerate parties to a transaction from exercising all their rights and obligations under the transaction documents. This document cannot be reproduced except in full, without prior written approval of the Company. Any unauthorized alteration, forgery or falsification of the content or appearance of this document is unlawful and offenders may be prosecuted to the fullest extent of the law.

LTE Band 41 (HPUE)												
BW(MHz)	Modulation	RB Size	RB Offset	Conducted power (dBm)					Target Power + Max. Tolerance (dBm)	MPR Allowed per 3GPP(dB)		
Frequency (MHz)				2501	2547	2593	2639	2685				
Channel				39700	40160	40620	41080	41540				
10	QPSK	1	0	23.57	23.45	23.55	23.46	23.43	23.90	0		
		1	25	23.48	23.57	23.50	23.38	23.57	23.90	0		
		1	49	23.46	23.41	23.56	23.55	23.55	23.90	0		
		25	0	22.55	22.51	22.50	22.42	22.45	22.90	-0.1		
		25	12	22.50	22.57	22.41	22.56	22.38	22.90	-0.1		
		25	25	22.53	22.53	22.55	22.53	22.57	22.90	-0.1		
		50	0	22.50	22.40	22.54	22.43	22.49	22.90	-0.1		
		1	0	22.55	22.51	22.43	22.42	22.41	22.90	-0.1		
		1	25	22.54	22.43	22.57	22.41	22.44	22.90	-0.1		
		1	49	22.44	22.40	22.56	22.48	22.40	22.90	-0.1		
	16-QAM	25	0	21.43	21.55	21.55	21.57	21.47	21.90	-0.2		
		25	12	21.52	21.48	21.50	21.50	21.52	21.90	-0.2		
		25	25	21.52	21.54	21.45	21.50	21.54	21.90	-0.2		
		50	0	21.38	21.39	21.48	21.41	21.39	21.90	-0.2		
		1	0	21.55	21.38	21.51	21.51	21.55	21.90	-0.2		
		1	25	21.43	21.53	21.54	21.46	21.57	21.90	-0.2		
		1	49	21.46	21.54	21.42	21.57	21.49	21.90	-0.2		
		25	0	20.43	20.56	20.48	20.48	20.52	20.90	-0.3		
		25	12	20.55	20.47	20.38	20.42	20.42	20.90	-0.3		
		25	25	20.54	20.48	20.51	20.54	20.44	20.90	-0.3		
	64-QAM	50	0	20.40	20.53	20.41	20.46	20.52	20.90	-0.3		
		1	0	18.56	18.55	18.40	18.45	18.41	18.90	-0.5		
		1	25	18.46	18.56	18.47	18.42	18.47	18.90	-0.5		
		1	49	18.53	18.39	18.44	18.52	18.44	18.90	-0.5		
		25	0	18.44	18.40	18.54	18.52	18.51	18.90	-0.5		
		25	12	18.55	18.51	18.46	18.44	18.49	18.90	-0.5		
		25	25	18.57	18.53	18.43	18.50	18.46	18.90	-0.5		
		50	0	18.57	18.45	18.49	18.40	18.46	18.90	-0.5		
		Frequency (MHz)				2498.5	2547.8	2593	2640.3	2687.5	Target Power + Max. Tolerance (dBm)	MPR Allowed per 3GPP(dB)
		Channel				39675	40148	40620	41093	41565		
5	QPSK	1	0	23.43	23.44	23.45	23.41	23.47	23.90	0		
		1	12	23.50	23.42	23.46	23.45	23.53	23.90	0		
		1	24	23.54	23.55	23.48	23.47	23.44	23.90	0		
		12	0	22.55	22.40	22.54	22.39	22.57	22.90	-0.1		
		12	6	22.54	22.55	22.44	22.43	22.50	22.90	-0.1		
		12	13	22.56	22.54	22.55	22.51	22.55	22.90	-0.1		
		25	0	22.56	22.50	22.51	22.51	22.49	22.90	-0.1		
		1	0	22.39	22.44	22.39	22.44	22.55	22.90	-0.1		
		1	12	22.44	22.40	22.51	22.56	22.50	22.90	-0.1		
		1	24	22.43	22.46	22.40	22.46	22.53	22.90	-0.1		
	16-QAM	12	0	21.52	21.46	21.48	21.56	21.57	21.90	-0.2		
		12	6	21.39	21.54	21.56	21.46	21.47	21.90	-0.2		
		12	13	21.43	21.50	21.56	21.56	21.52	21.90	-0.2		
		25	0	21.49	21.39	21.50	21.45	21.51	21.90	-0.2		
		1	0	21.43	21.54	21.42	21.55	21.45	21.90	-0.2		
		1	12	21.46	21.42	21.49	21.42	21.45	21.90	-0.2		
		1	24	21.47	21.42	21.53	21.45	21.55	21.90	-0.2		
		12	0	20.45	20.46	20.45	20.43	20.51	20.90	-0.3		
		12	6	20.43	20.39	20.51	20.38	20.42	20.90	-0.3		
		12	13	20.53	20.47	20.49	20.49	20.49	20.90	-0.3		
	64-QAM	25	0	20.51	20.48	20.39	20.40	20.57	20.90	-0.3		
		1	0	18.42	18.54	18.53	18.42	18.41	18.90	-0.5		
		1	12	18.56	18.52	18.44	18.57	18.43	18.90	-0.5		
		1	24	18.42	18.50	18.56	18.40	18.55	18.90	-0.5		
		12	0	18.54	18.54	18.43	18.43	18.51	18.90	-0.5		
		12	6	18.43	18.43	18.51	18.49	18.57	18.90	-0.5		
		12	13	18.55	18.45	18.50	18.57	18.51	18.90	-0.5		
		25	0	18.51	18.50	18.55	18.57	18.46	18.90	-0.5		
		Frequency (MHz)				2498.5	2547.8	2593	2640.3	2687.5	Target Power + Max. Tolerance (dBm)	MPR Allowed per 3GPP(dB)
		Channel				39675	40148	40620	41093	41565		

Unless otherwise stated the results shown in this test report refer only to the sample(s) tested and such sample(s) are retained for 90 days only.

除非另有說明，此報告結果僅對測試之樣品負責，同時此樣品僅保留90天。本報告未經本公司書面許可，不可部份複製。

This document is issued by the Company subject to its General Conditions of Service printed overleaf, available on request or accessible at <http://www.sgs.com.tw/Terms-and-Conditions> and for electronic format documents, subject to Terms and Conditions for Electronic Documents at <http://www.sgs.com.tw/Terms-and-Conditions>. Attention is drawn to the limitation of liability, indemnification and jurisdiction issues defined therein. Any holder of this document is advised that information contained hereon reflects the Company's findings at the time of its intervention only and within the limits of Client's instructions, if any. The Company's sole responsibility is to its Client and this document does not exonerate parties to a transaction from exercising all their rights and obligations under the transaction documents. This document cannot be reproduced except in full, without prior written approval of the Company. Any unauthorized alteration, forgery or falsification of the content or appearance of this document is unlawful and offenders may be prosecuted to the fullest extent of the law.

Notebook mode
Tx5-5G NR n2 / n5 / n12 / n66 power table:

5G NR n2								
BW(MHz)	Modulation	RB Size	RB Offset	Conducted power (dBm)			Target Power + Max. Tolerance (dBm)	MPR Allowed per 3GPP(dB)
Frequency (MHz)				1860	1880	1900		
Channel				372000	376000	380000		
20	Pi/2 BPSK	1	1	17.69	17.34	17.55	18.00	0
		1	53	17.30	17.23	17.27	18.00	0
		1	104	17.29	17.16	17.31	18.00	0
		50	0	17.26	17.24	17.17	18.00	0
		50	28	17.16	17.19	17.14	18.00	0
		50	56	17.23	17.15	17.20	18.00	0
	QPSK	100	0	17.12	17.28	17.27	18.00	0
		1	1	17.31	17.19	17.21	18.00	0
		1	53	17.30	17.27	17.27	18.00	0
		1	104	17.26	17.19	17.18	18.00	0
		50	0	17.19	17.20	17.18	18.00	0
		50	28	17.15	17.15	17.23	18.00	0
	16-QAM	50	56	17.14	17.15	17.30	18.00	0
		100	0	17.18	17.22	17.23	18.00	0
		1	1	17.13	17.23	17.15	18.00	0
64QAM	1	1	17.22	17.13	17.11	18.00	0	
256-QAM	1	1	17.18	17.14	17.22	18.00	0	
Frequency (MHz)				1857.5	1880	1902.5	Target Power + Max. Tolerance (dBm)	MPR Allowed per 3GPP(dB)
Channel				371500	376000	380500		
15	Pi/2 BPSK	1	1	17.16	17.22	17.13	18.00	0
Frequency (MHz)				1855	1880	1905	Target Power + Max. Tolerance (dBm)	MPR Allowed per 3GPP(dB)
Channel				371000	376000	381000		
10	Pi/2 BPSK	1	1	17.24	17.20	17.15	18.00	0
Frequency (MHz)				1852.5	1880	1907.5	Target Power + Max. Tolerance (dBm)	MPR Allowed per 3GPP(dB)
Channel				370500	376000	381500		
5	Pi/2 BPSK	1	1	17.21	17.31	17.21	18.00	0

Unless otherwise stated the results shown in this test report refer only to the sample(s) tested and such sample(s) are retained for 90 days only.

除非另有說明，此報告結果僅對測試之樣品負責，同時此樣品僅保留90天。本報告未經本公司書面許可，不可部份複製。

This document is issued by the Company subject to its General Conditions of Service printed overleaf, available on request or accessible at <http://www.sgs.com.tw/Terms-and-Conditions> and for electronic format documents, subject to Terms and Conditions for Electronic Documents at <http://www.sgs.com.tw/Terms-and-Conditions>. Attention is drawn to the limitation of liability, indemnification and jurisdiction issues defined therein. Any holder of this document is advised that information contained hereon reflects the Company's findings at the time of its intervention only and within the limits of Client's instructions, if any. The Company's sole responsibility is to its Client and this document does not exonerate parties to a transaction from exercising all their rights and obligations under the transaction documents. This document cannot be reproduced except in full, without prior written approval of the Company. Any unauthorized alteration, forgery or falsification of the content or appearance of this document is unlawful and offenders may be prosecuted to the fullest extent of the law.

5G NR n5								
BW(Mhz)	Modulation	RB Size	RB Offset	Conducted power (dBm)			Target Power + Max. Tolerance (dBm)	MPR Allowed per 3GPP(dB)
Frequency (MHz)				834	836.5	839		
Channel				166800	167300	167800		
20	Pi/2 BPSK	1	1	22.78	22.81	22.70	22.90	0
		1	53	22.68	22.53	22.67	22.90	0
		1	104	22.66	22.60	22.57	22.90	0
		50	0	22.56	22.63	22.69	22.90	0
		50	28	22.63	22.68	22.65	22.90	0
		50	56	22.52	22.66	22.55	22.90	0
		100	0	22.19	22.17	22.16	22.40	0-0.5
	QPSK	1	1	22.58	22.62	22.68	22.90	0
		1	53	22.52	22.62	22.64	22.90	0
		1	104	22.57	22.59	22.63	22.90	0
		50	0	22.52	22.60	22.59	22.90	0
		50	28	22.65	22.61	22.55	22.90	0
	50	56	22.57	22.58	22.69	22.90	0	
	100	0	21.62	21.55	21.61	21.90	0-1	
16-QAM	1	1	21.63	21.64	21.53	21.90	0-1	
64QAM	1	1	20.10	20.12	20.11	20.40	0-2.5	
256-QAM	1	1	18.01	18.09	18.05	18.40	0-4.5	
Frequency (MHz)				831.5	836.5	841.5	Target Power + Max. Tolerance (dBm)	MPR Allowed per 3GPP(dB)
Channel				166300	167300	168300		
15	Pi/2 BPSK	1	1	22.65	22.63	22.66	22.90	0
Frequency (MHz)				829	836.5	844	Target Power + Max. Tolerance (dBm)	MPR Allowed per 3GPP(dB)
Channel				166300	167300	168800		
10	Pi/2 BPSK	1	1	21.63	21.58	21.61	22.90	0
Frequency (MHz)				826.5	836.5	846.5	Target Power + Max. Tolerance (dBm)	MPR Allowed per 3GPP(dB)
Channel				165300	167300	169300		
5	Pi/2 BPSK	1	1	22.67	22.55	22.62	22.90	0

Unless otherwise stated the results shown in this test report refer only to the sample(s) tested and such sample(s) are retained for 90 days only.

除非另有說明，此報告結果僅對測試之樣品負責，同時此樣品僅保留90天。本報告未經本公司書面許可，不可部份複製。

This document is issued by the Company subject to its General Conditions of Service printed overleaf, available on request or accessible at <http://www.sgs.com.tw/Terms-and-Conditions> and for electronic format documents, subject to Terms and Conditions for Electronic Documents at <http://www.sgs.com.tw/Terms-and-Conditions>. Attention is drawn to the limitation of liability, indemnification and jurisdiction issues defined therein. Any holder of this document is advised that information contained hereon reflects the Company's findings at the time of its intervention only and within the limits of Client's instructions, if any. The Company's sole responsibility is to its Client and this document does not exonerate parties to a transaction from exercising all their rights and obligations under the transaction documents. This document cannot be reproduced except in full, without prior written approval of the Company. Any unauthorized alteration, forgery or falsification of the content or appearance of this document is unlawful and offenders may be prosecuted to the fullest extent of the law.

5G NR n12								
BW(Mhz)	Modulation	RB Size	RB Offset	Conducted power (dBm)			Target Power + Max. Tolerance (dBm)	MPR Allowed per 3GPP(dB)
Frequency (MHz)				706.5	707.5	708.5		
Channel				141300	141500	141700		
15	Pi/2 BPSK	1	1	22.34	22.31	22.28	22.40	0
		1	40	22.15	22.19	22.20	22.40	0
		1	77	22.10	22.20	22.12	22.40	0
		36	0	22.19	22.10	22.17	22.40	0
		36	22	22.15	22.11	22.19	22.40	0
		36	43	22.27	22.24	22.13	22.40	0
		75	0	21.63	21.73	21.61	21.90	0-0.5
	QPSK	1	1	22.26	22.21	22.20	22.40	0
		1	40	22.09	22.25	22.24	22.40	0
		1	77	22.13	22.08	22.24	22.40	0
		36	0	22.27	22.10	22.17	22.40	0
		36	22	22.21	22.19	22.12	22.40	0
		36	43	22.14	22.19	22.21	22.40	0
	75	0	21.23	21.26	21.19	21.40	0-1	
	16-QAM	1	1	21.19	21.21	21.13	21.40	0-1
64QAM	1	1	19.77	19.67	19.58	19.90	0-2.5	
256-QAM	1	1	17.61	17.67	17.69	17.90	0-4.5	
Frequency (MHz)				704	707.5	711	Target Power + Max. Tolerance (dBm)	MPR Allowed per 3GPP(dB)
Channel				140800	141500	142200		
10	Pi/2 BPSK	1	1	22.27	22.32	22.34	22.40	0
Frequency (MHz)				701.5	707.5	713.5	Target Power + Max. Tolerance (dBm)	MPR Allowed per 3GPP(dB)
Channel				140300	141500	142200		
5	Pi/2 BPSK	1	1	22.27	22.32	22.34	22.40	0

Unless otherwise stated the results shown in this test report refer only to the sample(s) tested and such sample(s) are retained for 90 days only.

除非另有說明，此報告結果僅對測試之樣品負責，同時此樣品僅保留90天。本報告未經本公司書面許可，不可部份複製。

This document is issued by the Company subject to its General Conditions of Service printed overleaf, available on request or accessible at <http://www.sgs.com.tw/Terms-and-Conditions> and for electronic format documents, subject to Terms and Conditions for Electronic Documents at <http://www.sgs.com.tw/Terms-and-Conditions>. Attention is drawn to the limitation of liability, indemnification and jurisdiction issues defined therein. Any holder of this document is advised that information contained hereon reflects the Company's findings at the time of its intervention only and within the limits of Client's instructions, if any. The Company's sole responsibility is to its Client and this document does not exonerate parties to a transaction from exercising all their rights and obligations under the transaction documents. This document cannot be reproduced except in full, without prior written approval of the Company. Any unauthorized alteration, forgery or falsification of the content or appearance of this document is unlawful and offenders may be prosecuted to the fullest extent of the law.

5G NR n66								
BW(Mhz)	Modulation	RB Size	RB Offset	Conducted power (dBm)			Target Power + Max. Tolerance (dBm)	MPR Allowed per 3GPP(dB)
Frequency (MHz)				1720	1745	1770		
Channel				344000	349000	354000		
20	Pi/2 BPSK	1	1	18.22	18.25	18.20	18.30	0
		1	53	18.07	18.11	18.12	18.30	0
		1	104	18.02	18.12	18.05	18.30	0
		50	0	18.11	18.02	18.04	18.30	0
		50	28	18.07	18.03	18.11	18.30	0
		50	56	18.19	18.16	18.05	18.30	0
		100	0	18.05	18.15	18.03	18.30	0
	QPSK	1	1	18.18	18.13	18.12	18.30	0
		1	53	18.01	18.17	18.16	18.30	0
		1	104	18.05	18.00	18.16	18.30	0
		50	0	18.19	18.02	18.11	18.30	0
		50	28	18.13	18.11	18.04	18.30	0
		50	56	18.06	18.12	18.10	18.30	0
	100	0	18.15	18.18	18.11	18.30	0	
16-QAM	1	1	18.11	18.13	18.05	18.30	0	
64QAM	1	1	18.19	18.09	18.00	18.30	0	
256-QAM	1	1	18.03	18.06	18.13	18.30	0	
Frequency (MHz)				1717.5	1745	1772.5	Target Power + Max. Tolerance (dBm)	MPR Allowed per 3GPP(dB)
Channel				343500	349000	354500		
15	Pi/2 BPSK	1	1	18.13	18.11	18.04	18.30	0
Frequency (MHz)				1715	1745	1775	Target Power + Max. Tolerance (dBm)	MPR Allowed per 3GPP(dB)
Channel				343000	349000	355000		
10	Pi/2 BPSK	1	1	18.15	18.18	18.11	18.30	0
Frequency (MHz)				1712.5	1745	1777.5	Target Power + Max. Tolerance (dBm)	MPR Allowed per 3GPP(dB)
Channel				342500	349000	355500		
5	Pi/2 BPSK	1	1	18.06	18.11	18.17	18.30	0

Unless otherwise stated the results shown in this test report refer only to the sample(s) tested and such sample(s) are retained for 90 days only.

除非另有說明，此報告結果僅對測試之樣品負責，同時此樣品僅保留90天。本報告未經本公司書面許可，不可部份複製。

This document is issued by the Company subject to its General Conditions of Service printed overleaf, available on request or accessible at <http://www.sgs.com.tw/Terms-and-Conditions> and for electronic format documents, subject to Terms and Conditions for Electronic Documents at <http://www.sgs.com.tw/Terms-and-Conditions>. Attention is drawn to the limitation of liability, indemnification and jurisdiction issues defined therein. Any holder of this document is advised that information contained hereon reflects the Company's findings at the time of its intervention only and within the limits of Client's instructions, if any. The Company's sole responsibility is to its Client and this document does not exonerate parties to a transaction from exercising all their rights and obligations under the transaction documents. This document cannot be reproduced except in full, without prior written approval of the Company. Any unauthorized alteration, forgery or falsification of the content or appearance of this document is unlawful and offenders may be prosecuted to the fullest extent of the law.

Tablet mode
Tx5-WCDMA Band II / Band IV / Band V - HSDPA / HSUPA / HSPA+ / DC-HSDPA conducted power table:
Unit: dBm

Band		WCDMA II		
TX Channel		9262	9400	9538
Frequency (MHz)		1852.4	1880	1907.6
Max. Rated Avg. Power+Max. Tolerance (dBm)		15.20		
3GPP Rel 99	RMC 12.2Kbps	15.11	15.16	15.09
3GPP Rel 5	HSDPA Subtest-1	14.97	14.88	14.90
	HSDPA Subtest-2	14.93	14.89	14.97
	HSDPA Subtest-3	15.05	15.02	14.91
	HSDPA Subtest-4	14.91	15.01	14.89
3GPP Rel 6	HSUPA Subtest-1	15.04	14.99	14.98
	HSUPA Subtest-2	14.87	15.03	15.02
	HSUPA Subtest-3	14.91	14.86	15.02
	HSUPA Subtest-4	15.05	14.88	14.97
	HSUPA Subtest-5	14.99	14.97	14.90
3GPP Rel 7	HSPA+	14.92	14.96	14.99
3GPP Rel 8	DC-HSDPA Subtest-1	15.01	15.04	14.97
	DC-HSDPA Subtest-2	14.97	14.99	14.91
	DC-HSDPA Subtest-3	15.05	14.95	14.86
	DC-HSDPA Subtest-4	14.89	14.95	14.97

Band		WCDMA IV		
TX Channel		1312	1412	1513
Frequency (MHz)		1712.4	1732.4	1752.6
Max. Rated Avg. Power+Max. Tolerance (dBm)		16.20		
3GPP Rel 99	RMC 12.2Kbps	16.15	16.11	16.08
3GPP Rel 5	HSDPA Subtest-1	16.00	15.91	15.93
	HSDPA Subtest-2	15.96	15.92	16.00
	HSDPA Subtest-3	16.08	16.05	15.94
	HSDPA Subtest-4	15.94	16.04	15.92
3GPP Rel 6	HSUPA Subtest-1	16.07	16.02	16.01
	HSUPA Subtest-2	15.90	16.06	16.04
	HSUPA Subtest-3	15.94	15.89	16.05
	HSUPA Subtest-4	16.08	15.91	16.00
	HSUPA Subtest-5	16.02	16.00	15.93
3GPP Rel 7	HSPA+	15.95	16.01	16.02
3GPP Rel 8	DC-HSDPA Subtest-1	16.04	16.07	16.00
	DC-HSDPA Subtest-2	16.00	16.02	15.94
	DC-HSDPA Subtest-3	16.08	15.97	15.89
	DC-HSDPA Subtest-4	15.92	15.98	16.00

Band		WCDMA V		
TX Channel		4132	4183	4233
Frequency (MHz)		826.4	836.6	846.6
Max. Rated Avg. Power+Max. Tolerance (dBm)		21.30		
3GPP Rel 99	RMC 12.2Kbps	21.24	21.21	21.18
3GPP Rel 5	HSDPA Subtest-1	21.07	21.06	21.00
	HSDPA Subtest-2	21.21	21.18	21.05
	HSDPA Subtest-3	20.69	20.65	20.49
	HSDPA Subtest-4	20.58	20.64	20.65
3GPP Rel 6	HSUPA Subtest-1	21.14	21.04	20.98
	HSUPA Subtest-2	19.08	19.09	19.10
	HSUPA Subtest-3	20.16	20.03	20.09
	HSUPA Subtest-4	19.17	19.13	19.01
	HSUPA Subtest-5	21.14	21.08	21.13
3GPP Rel 7	HSPA+	21.06	21.17	21.15
3GPP Rel 8	DC-HSDPA Subtest-1	21.09	21.06	21.15
	DC-HSDPA Subtest-2	21.16	21.11	21.01
	DC-HSDPA Subtest-3	20.68	20.53	20.63
	DC-HSDPA Subtest-4	20.56	20.59	20.58

Unless otherwise stated the results shown in this test report refer only to the sample(s) tested and such sample(s) are retained for 90 days only.

除非另有說明，此報告結果僅對測試之樣品負責，同時此樣品僅保留90天。本報告未經本公司書面許可，不可部份複製。

 This document is issued by the Company subject to its General Conditions of Service printed overleaf, available on request or accessible at <http://www.sgs.com.tw/Terms-and-Conditions> and for electronic format documents, subject to Terms and Conditions for Electronic Documents at <http://www.sgs.com.tw/Terms-and-Conditions>. Attention is drawn to the limitation of liability, indemnification and jurisdiction issues defined therein. Any holder of this document is advised that information contained hereon reflects the Company's findings at the time of its intervention only and within the limits of Client's instructions, if any. The Company's sole responsibility is to its Client and this document does not exonerate parties to a transaction from exercising all their rights and obligations under the transaction documents. This document cannot be reproduced except in full, without prior written approval of the Company. Any unauthorized alteration, forgery or falsification of the content or appearance of this document is unlawful and offenders may be prosecuted to the fullest extent of the law.

Sub-Test for HSDPA

SUB-TEST	β_c	β_d	β_d (SF)	β_c/β_d	β_{HS} (Note 1, Note 2)	CM (dB) (Note 3)	MPR (dB) (Note 3)
1	2/15	15/15	64	2/15	4/15	0.0	0.0
2	12/15	15/15	64	12/15	24/15	1.0	0.0
3	15/15	8/15	64	15/8	30/15	1.5	0.5
4	15/15	4/15	64	15/4	30/15	1.5	0.5

Sub-Test for HSUPA

SUB-TEST	β_c	β_d	β_d (SF)	β_c/β_d	β_{HS} (Note 1)	β_{ec}	β_{ed} (Note 5) (Note 6)	β_{ed} (SF)	β_{ed} (Codes)	CM (dB) (Note 2)	MPR (dB) (Note 2)	AG Index (Note 6)	E-TFCI
1	11/15	15/15	64	11/15	22/15	209/225	1309/225	4	1	1.0	0.0	20	75
2	6/15	15/15	64	6/15	12/15	12/15	94/75	4	1	3.0	2.0	12	67
3	15/15	9/15	64	15/9	30/15	30/15	$\beta_{ed1}: 47/15$ $\beta_{ed2}: 47/15$	4 4	2	2.0	1.0	15	92
4	2/15	15/15	64	2/15	4/15	2/15	56/75	4	1	3.0	2.0	17	71
5	15/15	15/15	64	15/15	30/15	24/15	134/15	4	1	1.0	0.0	21	81

Unless otherwise stated the results shown in this test report refer only to the sample(s) tested and such sample(s) are retained for 90 days only.

除非另有說明，此報告結果僅對測試之樣品負責，同時此樣品僅保留90天。本報告未經本公司書面許可，不可部份複製。

This document is issued by the Company subject to its General Conditions of Service printed overleaf, available on request or accessible at <http://www.sgs.com.tw/Terms-and-Conditions> and for electronic format documents, subject to Terms and Conditions for Electronic Documents at <http://www.sgs.com.tw/Terms-and-Conditions>. Attention is drawn to the limitation of liability, indemnification and jurisdiction issues defined therein. Any holder of this document is advised that information contained hereon reflects the Company's findings at the time of its intervention only and within the limits of Client's instructions, if any. The Company's sole responsibility is to its Client and this document does not exonerate parties to a transaction from exercising all their rights and obligations under the transaction documents. This document cannot be reproduced except in full, without prior written approval of the Company. Any unauthorized alteration, forgery or falsification of the content or appearance of this document is unlawful and offenders may be prosecuted to the fullest extent of the law.

Tablet mode

Tx5-LTE FDD Band 2 / Band 4 / Band 5 / Band 7 / Band 12 / Band 13 / Band 14 / Band 17 / Band 25 / Band 26 / Band 30 / Band 66 power table:

LTE Band 2								
BW(Mhz)	Modulation	RB Size	RB Offset	Conducted power (dBm)			Target Power + Max. Tolerance (dBm)	MPR Allowed per 3GPP(dB)
Frequency (MHz)				1860	1880	1900		
Channel				18700	18900	19100		
20	QPSK	1	0	16.22	16.28	16.16	16.30	0
		1	50	16.19	16.16	16.11	16.30	0
		1	99	16.13	16.14	16.07	16.30	0
		50	0	16.15	16.23	16.14	16.30	0
		50	25	16.13	16.18	16.12	16.30	0
		50	50	16.05	16.24	16.10	16.30	0
	100	0	16.02	15.98	16.03	16.30	0	
	16-QAM	1	0	15.99	16.09	16.04	16.30	0
		1	50	16.07	16.08	15.99	16.30	0
		1	99	16.04	16.13	16.00	16.30	0
		50	0	16.04	16.00	16.12	16.30	0
		50	25	16.01	16.03	15.97	16.30	0
		50	50	16.13	16.16	16.03	16.30	0
	100	0	15.99	16.04	16.04	16.30	0	
	64-QAM	1	0	15.98	16.08	16.04	16.30	0
		1	50	16.00	16.06	15.99	16.30	0
		1	99	16.16	16.00	16.15	16.30	0
		50	0	16.07	16.04	16.09	16.30	0
		50	25	15.99	16.02	16.11	16.30	0
		50	50	16.07	16.00	16.07	16.30	0
	100	0	15.98	16.16	16.02	16.30	0	
	256-QAM	1	0	15.98	16.09	16.01	16.30	0
		1	50	16.00	15.98	16.08	16.30	0
		1	99	16.03	15.99	16.02	16.30	0
50		0	16.10	16.11	16.16	16.30	0	
50		25	16.13	16.15	16.06	16.30	0	
50		50	16.07	16.02	15.99	16.30	0	
100	0	16.13	16.08	16.15	16.30	0		
Frequency (MHz)				1857.5	1880	1902.5	Target Power + Max. Tolerance (dBm)	MPR Allowed per 3GPP(dB)
Channel				18675	18900	19125		
15	QPSK	1	0	16.12	16.24	16.25	16.30	0
		1	36	16.21	16.12	16.20	16.30	0
		1	74	16.15	16.24	16.16	16.30	0
		36	0	16.23	16.15	16.15	16.30	0
		36	18	16.30	16.15	16.25	16.30	0
		36	37	16.11	16.23	16.17	16.30	0
	75	0	16.25	16.16	16.18	16.30	0	
	16-QAM	1	0	16.11	16.29	16.18	16.30	0
		1	36	16.16	16.26	16.29	16.30	0
		1	74	16.23	16.21	16.16	16.30	0
		36	0	16.19	16.16	16.12	16.30	0
		36	18	16.24	16.29	16.25	16.30	0
		36	37	16.20	16.21	16.30	16.30	0
	75	0	16.26	16.14	16.22	16.30	0	
	64-QAM	1	0	16.11	16.11	16.19	16.30	0
		1	36	16.26	16.15	16.15	16.30	0
		1	74	16.17	16.14	16.29	16.30	0
		36	0	16.30	16.23	16.29	16.30	0
		36	18	16.19	16.11	16.29	16.30	0
		36	37	16.11	16.21	16.15	16.30	0
	75	0	16.26	16.27	16.16	16.30	0	
	256-QAM	1	0	16.15	16.26	16.23	16.30	0
		1	36	16.20	16.30	16.20	16.30	0
		1	74	16.21	16.20	16.30	16.30	0
36		0	16.27	16.23	16.13	16.30	0	
36		18	16.22	16.30	16.24	16.30	0	
36		37	16.29	16.12	16.24	16.30	0	
75	0	16.27	16.22	16.16	16.30	0		

Unless otherwise stated the results shown in this test report refer only to the sample(s) tested and such sample(s) are retained for 90 days only.

除非另有說明，此報告結果僅對測試之樣品負責，同時此樣品僅保留90天。本報告未經本公司書面許可，不可部份複製。

This document is issued by the Company subject to its General Conditions of Service printed overleaf, available on request or accessible at <http://www.sgs.com.tw/Terms-and-Conditions> and for electronic format documents, subject to Terms and Conditions for Electronic Documents at <http://www.sgs.com.tw/Terms-and-Conditions>. Attention is drawn to the limitation of liability, indemnification and jurisdiction issues defined therein. Any holder of this document is advised that information contained hereon reflects the Company's findings at the time of its intervention only and within the limits of Client's instructions, if any. The Company's sole responsibility is to its Client and this document does not exonerate parties to a transaction from exercising all their rights and obligations under the transaction documents. This document cannot be reproduced except in full, without prior written approval of the Company. Any unauthorized alteration, forgery or falsification of the content or appearance of this document is unlawful and offenders may be prosecuted to the fullest extent of the law.

LTE Band 2									
BW(Mhz)	Modulation	RB Size	RB Offset	Conducted power (dBm)			Target Power + Max. Tolerance (dBm)	MPR Allowed per 3GPP(dB)	
Frequency (MHz)			1855	1880	1905				
Channel			18650	18900	19150				
10	QPSK	1	0	16.14	16.22	16.26	16.30	0	
		1	25	16.16	16.20	16.18	16.30	0	
		1	49	16.28	16.20	16.16	16.30	0	
		25	0	16.23	16.17	16.21	16.30	0	
		25	12	16.17	16.28	16.12	16.30	0	
		25	25	16.29	16.19	16.17	16.30	0	
	16-QAM	50	0	16.11	16.11	16.29	16.30	0	
		1	0	16.12	16.21	16.20	16.30	0	
		1	25	16.21	16.23	16.29	16.30	0	
		1	49	16.11	16.12	16.14	16.30	0	
		25	0	16.22	16.27	16.15	16.30	0	
		25	12	16.12	16.22	16.30	16.30	0	
	64-QAM	25	25	16.12	16.25	16.28	16.30	0	
		50	0	16.28	16.15	16.19	16.30	0	
		1	0	16.29	16.20	16.30	16.30	0	
		1	25	16.14	16.24	16.29	16.30	0	
		1	49	16.20	16.14	16.27	16.30	0	
		25	0	16.21	16.20	16.27	16.30	0	
	256-QAM	25	12	16.15	16.22	16.27	16.30	0	
		25	25	16.27	16.26	16.26	16.30	0	
		50	0	16.15	16.24	16.20	16.30	0	
		1	0	16.25	16.30	16.26	16.30	0	
		1	25	16.16	16.11	16.26	16.30	0	
		1	49	16.16	16.12	16.29	16.30	0	
	Frequency (MHz)			1852.5	1880	1907.5	Target Power + Max. Tolerance (dBm)	MPR Allowed per 3GPP(dB)	
	Channel			18625	18900	19175			
	5	QPSK	1	0	16.27	16.16			16.22
			1	12	16.15	16.15	16.29	16.30	0
			1	24	16.21	16.13	16.22	16.30	0
			12	0	16.29	16.26	16.24	16.30	0
12			6	16.13	16.26	16.12	16.30	0	
12			13	16.20	16.11	16.28	16.30	0	
16-QAM		25	0	16.30	16.15	16.23	16.30	0	
		1	0	16.21	16.17	16.20	16.30	0	
		1	12	16.21	16.26	16.22	16.30	0	
		1	24	16.18	16.24	16.20	16.30	0	
		12	0	16.24	16.22	16.20	16.30	0	
		12	6	16.28	16.26	16.29	16.30	0	
64-QAM		12	13	16.12	16.21	16.11	16.30	0	
		25	0	16.23	16.19	16.13	16.30	0	
		1	0	16.21	16.28	16.23	16.30	0	
		1	12	16.14	16.19	16.19	16.30	0	
		1	24	16.19	16.11	16.29	16.30	0	
		12	0	16.23	16.11	16.26	16.30	0	
256-QAM		12	6	16.28	16.28	16.11	16.30	0	
		12	13	16.23	16.25	16.13	16.30	0	
		25	0	16.24	16.16	16.12	16.30	0	
		1	0	16.30	16.19	16.18	16.30	0	
		1	12	16.23	16.27	16.12	16.30	0	
		1	24	16.11	16.14	16.25	16.30	0	
Frequency (MHz)			1852.5	1880	1907.5	Target Power + Max. Tolerance (dBm)	MPR Allowed per 3GPP(dB)		
Channel			18625	18900	19175				
5	QPSK	1	0	16.27	16.16			16.22	16.30
		1	12	16.15	16.15	16.29	16.30	0	
	16-QAM	1	24	16.21	16.13	16.22	16.30	0	
		12	0	16.29	16.26	16.24	16.30	0	
		12	6	16.13	16.26	16.12	16.30	0	
		12	13	16.20	16.11	16.28	16.30	0	
	64-QAM	25	0	16.30	16.15	16.23	16.30	0	
		1	0	16.21	16.17	16.20	16.30	0	
		1	12	16.21	16.26	16.22	16.30	0	
		1	24	16.18	16.24	16.20	16.30	0	
256-QAM	12	0	16.24	16.22	16.20	16.30	0		
	12	6	16.28	16.26	16.29	16.30	0		
	12	13	16.12	16.21	16.11	16.30	0		
	25	0	16.23	16.19	16.13	16.30	0		

Unless otherwise stated the results shown in this test report refer only to the sample(s) tested and such sample(s) are retained for 90 days only.

除非另有說明，此報告結果僅對測試之樣品負責，同時此樣品僅保留90天。本報告未經本公司書面許可，不可部份複製。

This document is issued by the Company subject to its General Conditions of Service printed overleaf, available on request or accessible at <http://www.sgs.com.tw/Terms-and-Conditions> and for electronic format documents, subject to Terms and Conditions for Electronic Documents at <http://www.sgs.com.tw/Terms-and-Conditions>. Attention is drawn to the limitation of liability, indemnification and jurisdiction issues defined therein. Any holder of this document is advised that information contained hereon reflects the Company's findings at the time of its intervention only and within the limits of Client's instructions, if any. The Company's sole responsibility is to its Client and this document does not exonerate parties to a transaction from exercising all their rights and obligations under the transaction documents. This document cannot be reproduced except in full, without prior written approval of the Company. Any unauthorized alteration, forgery or falsification of the content or appearance of this document is unlawful and offenders may be prosecuted to the fullest extent of the law.

LTE Band 4											
BW(Mhz)	Modulation	RB Size	RB Offset	Conducted power (dBm)			Target Power + Max. Tolerance (dBm)	MPR Allowed per 3GPP(dB)			
Frequency (MHz)				1720	1732.5	1745					
Channel				20050	20175	20300					
20	QPSK	1	0	16.76	16.72	16.77	16.80	0			
		1	50	16.56	16.54	16.62	16.80	0			
		1	99	16.60	16.61	16.66	16.80	0			
		50	0	16.54	16.58	16.61	16.80	0			
		50	25	16.64	16.62	16.51	16.80	0			
		50	50	16.58	16.69	16.63	16.80	0			
	16-QAM	100	0	16.67	16.57	16.63	16.80	0			
		1	0	16.53	16.55	16.55	16.80	0			
		1	50	16.64	16.56	16.62	16.80	0			
		1	99	16.61	16.53	16.51	16.80	0			
		50	0	16.67	16.51	16.69	16.80	0			
		50	25	16.54	16.53	16.63	16.80	0			
	64-QAM	50	50	16.55	16.66	16.62	16.80	0			
		100	0	16.56	16.68	16.57	16.80	0			
		1	0	16.65	16.53	16.59	16.80	0			
		1	50	16.56	16.55	16.60	16.80	0			
		1	99	16.66	16.56	16.67	16.80	0			
		50	0	16.65	16.64	16.59	16.80	0			
	256-QAM	50	25	16.67	16.52	16.61	16.80	0			
		50	50	16.67	16.53	16.54	16.80	0			
		100	0	16.65	16.55	16.62	16.80	0			
		1	0	16.54	16.58	16.69	16.80	0			
		1	50	16.70	16.60	16.52	16.80	0			
		1	99	16.65	16.51	16.58	16.80	0			
	15	QPSK	50	50	16.66	16.68	16.59	16.80	0		
			50	25	16.69	16.62	16.58	16.80	0		
			50	50	16.66	16.59	16.68	16.80	0		
			100	0	16.51	16.55	16.67	16.80	0		
			Frequency (MHz)				1717.5	1732.5	1747.5	Target Power + Max. Tolerance (dBm)	MPR Allowed per 3GPP(dB)
			Channel				20025	20175	20325		
15		QPSK	1	0	16.57	16.57	16.58	16.80	0		
			1	36	16.69	16.58	16.62	16.80	0		
			1	74	16.68	16.60	16.55	16.80	0		
			36	0	16.58	16.62	16.60	16.80	0		
			36	18	16.54	16.68	16.60	16.80	0		
			36	37	16.69	16.53	16.57	16.80	0		
		16-QAM	75	0	16.57	16.64	16.59	16.80	0		
			1	0	16.56	16.61	16.68	16.80	0		
			1	36	16.66	16.70	16.67	16.80	0		
			1	74	16.53	16.58	16.53	16.80	0		
			36	0	16.70	16.62	16.57	16.80	0		
			36	18	16.58	16.53	16.66	16.80	0		
		64-QAM	36	37	16.68	16.54	16.55	16.80	0		
			75	0	16.55	16.58	16.66	16.80	0		
			1	0	16.64	16.70	16.66	16.80	0		
			1	36	16.52	16.61	16.66	16.80	0		
			1	74	16.51	16.54	16.65	16.80	0		
			36	0	16.67	16.68	16.52	16.80	0		
		256-QAM	36	18	16.68	16.53	16.57	16.80	0		
			36	37	16.67	16.57	16.67	16.80	0		
			75	0	16.57	16.64	16.63	16.80	0		
			1	0	16.52	16.57	16.70	16.80	0		
			1	36	16.51	16.53	16.53	16.80	0		
			1	74	16.52	16.57	16.69	16.80	0		

Unless otherwise stated the results shown in this test report refer only to the sample(s) tested and such sample(s) are retained for 90 days only.

除非另有說明，此報告結果僅對測試之樣品負責，同時此樣品僅保留90天。本報告未經本公司書面許可，不可部份複製。

This document is issued by the Company subject to its General Conditions of Service printed overleaf, available on request or accessible at <http://www.sgs.com.tw/Terms-and-Conditions> and for electronic format documents, subject to Terms and Conditions for Electronic Documents at <http://www.sgs.com.tw/Terms-and-Conditions>. Attention is drawn to the limitation of liability, indemnification and jurisdiction issues defined therein. Any holder of this document is advised that information contained hereon reflects the Company's findings at the time of its intervention only and within the limits of Client's instructions, if any. The Company's sole responsibility is to its Client and this document does not exonerate parties to a transaction from exercising all their rights and obligations under the transaction documents. This document cannot be reproduced except in full, without prior written approval of the Company. Any unauthorized alteration, forgery or falsification of the content or appearance of this document is unlawful and offenders may be prosecuted to the fullest extent of the law.

LTE Band 4									
BW(Mhz)	Modulation	RB Size	RB Offset	Conducted power (dBm)			Target Power + Max. Tolerance (dBm)	MPR Allowed per 3GPP(dB)	
Frequency (MHz)				1715	1732.5	1750			
Channel				20000	20175	20350			
10	QPSK	1	0	16.68	16.55	16.60	16.80	0	
		1	25	16.54	16.61	16.64	16.80	0	
		1	49	16.64	16.52	16.60	16.80	0	
		25	0	16.65	16.56	16.70	16.80	0	
		25	12	16.65	16.60	16.64	16.80	0	
		25	25	16.56	16.54	16.57	16.80	0	
	16-QAM	50	0	16.63	16.58	16.61	16.80	0	
		1	0	16.55	16.69	16.55	16.80	0	
		1	25	16.62	16.55	16.57	16.80	0	
		1	49	16.57	16.65	16.63	16.80	0	
		25	0	16.63	16.56	16.53	16.80	0	
		25	12	16.57	16.68	16.69	16.80	0	
	64-QAM	25	25	16.66	16.61	16.69	16.80	0	
		50	0	16.57	16.65	16.58	16.80	0	
		1	0	16.65	16.54	16.67	16.80	0	
		1	25	16.67	16.70	16.51	16.80	0	
		1	49	16.55	16.66	16.66	16.80	0	
		25	0	16.55	16.59	16.58	16.80	0	
	256-QAM	25	12	16.60	16.53	16.65	16.80	0	
		25	25	16.52	16.65	16.55	16.80	0	
		50	0	16.56	16.66	16.56	16.80	0	
		1	0	16.58	16.53	16.54	16.80	0	
		1	25	16.51	16.54	16.59	16.80	0	
		1	49	16.57	16.68	16.52	16.80	0	
	Frequency (MHz)				1712.5	1732.5	1752.5	Target Power + Max. Tolerance (dBm)	MPR Allowed per 3GPP(dB)
	Channel				19975	20175	20375		
	5	QPSK	1	0	16.59	16.64	16.57	16.80	0
			1	12	16.59	16.64	16.53	16.80	0
			1	24	16.70	16.66	16.66	16.80	0
			12	0	16.59	16.55	16.55	16.80	0
12			6	16.68	16.59	16.61	16.80	0	
12			13	16.51	16.54	16.53	16.80	0	
16-QAM		25	0	16.57	16.63	16.68	16.80	0	
		1	0	16.69	16.70	16.62	16.80	0	
		1	12	16.70	16.69	16.56	16.80	0	
		1	24	16.68	16.62	16.61	16.80	0	
		12	0	16.70	16.66	16.67	16.80	0	
		12	6	16.53	16.66	16.51	16.80	0	
64-QAM		12	13	16.53	16.64	16.66	16.80	0	
		25	0	16.51	16.53	16.64	16.80	0	
		1	0	16.68	16.56	16.62	16.80	0	
		1	12	16.66	16.56	16.68	16.80	0	
		1	24	16.60	16.52	16.70	16.80	0	
		12	0	16.67	16.52	16.57	16.80	0	
256-QAM		12	6	16.58	16.68	16.57	16.80	0	
		12	13	16.60	16.68	16.53	16.80	0	
		25	0	16.58	16.67	16.52	16.80	0	
		1	0	16.60	16.67	16.52	16.80	0	
		1	12	16.66	16.70	16.68	16.80	0	
		1	24	16.65	16.58	16.66	16.80	0	
12	0	16.60	16.56	16.54	16.80	0			
12	6	16.58	16.51	16.61	16.80	0			
12	13	16.51	16.67	16.68	16.80	0			
25	0	16.52	16.56	16.60	16.80	0			

Unless otherwise stated the results shown in this test report refer only to the sample(s) tested and such sample(s) are retained for 90 days only.

除非另有說明，此報告結果僅對測試之樣品負責，同時此樣品僅保留90天。本報告未經本公司書面許可，不可部份複製。

This document is issued by the Company subject to its General Conditions of Service printed overleaf, available on request or accessible at <http://www.sgs.com.tw/Terms-and-Conditions> and for electronic format documents, subject to Terms and Conditions for Electronic Documents at <http://www.sgs.com.tw/Terms-and-Conditions>. Attention is drawn to the limitation of liability, indemnification and jurisdiction issues defined therein. Any holder of this document is advised that information contained hereon reflects the Company's findings at the time of its intervention only and within the limits of Client's instructions, if any. The Company's sole responsibility is to its Client and this document does not exonerate parties to a transaction from exercising all their rights and obligations under the transaction documents. This document cannot be reproduced except in full, without prior written approval of the Company. Any unauthorized alteration, forgery or falsification of the content or appearance of this document is unlawful and offenders may be prosecuted to the fullest extent of the law.

LTE Band 4									
BW(Mhz)	Modulation	RB Size	RB Offset	Conducted power (dBm)			Target Power + Max. Tolerance (dBm)	MPR Allowed per 3GPP(dB)	
Frequency (MHz)			1711.5	1732.5	1753.5				
Channel			19965	20175	20385				
3	QPSK	1	0	16.51	16.54	16.59	16.80	0	
		1	7	16.63	16.59	16.64	16.80	0	
		1	14	16.57	16.61	16.58	16.80	0	
		8	0	16.60	16.67	16.54	16.80	0	
		8	4	16.56	16.65	16.65	16.80	0	
		8	7	16.61	16.67	16.64	16.80	0	
	16-QAM	15	0	16.53	16.67	16.64	16.80	0	
		1	0	16.64	16.58	16.70	16.80	0	
		1	7	16.57	16.53	16.51	16.80	0	
		1	14	16.51	16.61	16.67	16.80	0	
		8	0	16.64	16.54	16.54	16.80	0	
		8	4	16.61	16.69	16.54	16.80	0	
	64-QAM	8	7	16.54	16.62	16.69	16.80	0	
		15	0	16.66	16.70	16.65	16.80	0	
		1	0	16.62	16.59	16.62	16.80	0	
		1	7	16.55	16.56	16.60	16.80	0	
		1	14	16.56	16.70	16.55	16.80	0	
		8	0	16.68	16.61	16.58	16.80	0	
	256-QAM	8	4	16.68	16.51	16.65	16.80	0	
		8	7	16.68	16.69	16.65	16.80	0	
		15	0	16.57	16.58	16.51	16.80	0	
		1	0	16.70	16.54	16.53	16.80	0	
		1	7	16.70	16.60	16.57	16.80	0	
		1	14	16.64	16.66	16.64	16.80	0	
	1.4	QPSK	8	0	16.52	16.65	16.55	16.80	0
			8	4	16.60	16.68	16.59	16.80	0
			8	7	16.64	16.60	16.62	16.80	0
8			0	16.67	16.70	16.56	16.80	0	
15			0	16.67	16.70	16.56	16.80	0	
1			0	16.61	16.52	16.70	16.80	0	
16-QAM		1	2	16.60	16.64	16.63	16.80	0	
		1	5	16.70	16.65	16.63	16.80	0	
		3	0	16.67	16.63	16.62	16.80	0	
		3	2	16.57	16.64	16.67	16.80	0	
		3	3	16.59	16.56	16.51	16.80	0	
		6	0	16.53	16.68	16.65	16.80	0	
64-QAM		1	0	16.60	16.67	16.52	16.80	0	
		1	2	16.67	16.70	16.56	16.80	0	
		1	5	16.59	16.54	16.69	16.80	0	
		3	0	16.58	16.61	16.60	16.80	0	
		3	2	16.57	16.58	16.59	16.80	0	
		3	3	16.67	16.57	16.51	16.80	0	
256-QAM		6	0	16.69	16.56	16.54	16.80	0	
		1	0	16.60	16.65	16.55	16.80	0	
		1	2	16.59	16.55	16.55	16.80	0	
		1	5	16.62	16.60	16.64	16.80	0	
		3	0	16.61	16.57	16.66	16.80	0	
		3	2	16.64	16.55	16.59	16.80	0	
256-QAM		3	3	16.64	16.59	16.68	16.80	0	
		6	0	16.61	16.63	16.52	16.80	0	
		1	0	16.55	16.54	16.57	16.80	0	
	1	2	16.56	16.52	16.58	16.80	0		
	1	5	16.69	16.54	16.51	16.80	0		
	3	0	16.58	16.56	16.65	16.80	0		
256-QAM	3	2	16.65	16.55	16.55	16.80	0		
	3	3	16.51	16.51	16.61	16.80	0		
	6	0	16.53	16.54	16.70	16.80	0		
	Frequency (MHz)			1710.7	1732.5	1754.3	Target Power + Max. Tolerance (dBm)	MPR Allowed per 3GPP(dB)	
	Channel			19957	20175	20393			

Unless otherwise stated the results shown in this test report refer only to the sample(s) tested and such sample(s) are retained for 90 days only.

除非另有說明，此報告結果僅對測試之樣品負責，同時此樣品僅保留90天。本報告未經本公司書面許可，不可部份複製。

This document is issued by the Company subject to its General Conditions of Service printed overleaf, available on request or accessible at <http://www.sgs.com.tw/Terms-and-Conditions> and for electronic format documents, subject to Terms and Conditions for Electronic Documents at <http://www.sgs.com.tw/Terms-and-Conditions>. Attention is drawn to the limitation of liability, indemnification and jurisdiction issues defined therein. Any holder of this document is advised that information contained hereon reflects the Company's findings at the time of its intervention only and within the limits of Client's instructions, if any. The Company's sole responsibility is to its Client and this document does not exonerate parties to a transaction from exercising all their rights and obligations under the transaction documents. This document cannot be reproduced except in full, without prior written approval of the Company. Any unauthorized alteration, forgery or falsification of the content or appearance of this document is unlawful and offenders may be prosecuted to the fullest extent of the law.

LTE Band 5									
BW(Mhz)	Modulation	RB Size	RB Offset	Conducted power (dBm)			Target Power + Max. Tolerance (dBm)	MPR Allowed per 3GPP(dB)	
Frequency (MHz)				829	836.5	844			
Channel				20450	20525	20600			
10	QPSK	1	0	21.65	21.62	21.59	21.70	0	
		1	25	21.58	21.48	21.50	21.70	0	
		1	49	21.44	21.53	21.41	21.70	0	
		25	0	21.43	21.52	21.53	21.70	0	
		25	12	21.49	21.56	21.58	21.70	0	
		25	25	21.40	21.41	21.56	21.70	0	
	16-QAM	50	0	21.41	21.49	21.57	21.70	0	
		1	0	21.54	21.41	21.44	21.70	0	
		1	25	21.55	21.48	21.56	21.70	0	
		1	49	21.50	21.55	21.49	21.70	0	
		25	0	21.50	21.40	21.52	21.70	0	
		25	12	21.58	21.45	21.58	21.70	0	
	64-QAM	25	25	21.40	21.55	21.42	21.70	0	
		50	0	21.48	21.58	21.44	21.70	0	
		1	0	21.56	21.57	21.41	21.70	0	
		1	25	21.44	21.46	21.40	21.70	0	
		1	49	21.51	21.47	21.52	21.70	0	
		25	0	21.41	21.49	21.39	21.70	0	
	256-QAM	25	12	21.53	21.45	21.55	21.70	0	
		25	25	21.50	21.55	21.52	21.70	0	
		50	0	21.39	21.48	21.46	21.70	0	
		1	0	21.58	21.52	21.40	21.70	0	
		1	25	21.41	21.55	21.57	21.70	0	
		1	49	21.57	21.39	21.52	21.70	0	
	Frequency (MHz)				826.5	836.5	846.5	Target Power + Max. Tolerance (dBm)	MPR Allowed per 3GPP(dB)
	Channel				20425	20525	20625		
	5	QPSK	1	0	21.41	21.43	21.51	21.70	0
			1	12	21.53	21.52	21.51	21.70	0
			1	24	21.53	21.39	21.50	21.70	0
			12	0	21.41	21.40	21.57	21.70	0
12			6	21.58	21.43	21.50	21.70	0	
12			13	21.47	21.56	21.45	21.70	0	
16-QAM		25	0	21.57	21.57	21.39	21.70	0	
		1	0	21.54	21.45	21.44	21.70	0	
		1	12	21.39	21.40	21.41	21.70	0	
		1	24	21.56	21.44	21.53	21.70	0	
		12	0	21.40	21.43	21.48	21.70	0	
		12	6	21.48	21.42	21.48	21.70	0	
64-QAM		12	13	21.43	21.40	21.47	21.70	0	
		25	0	21.50	21.55	21.45	21.70	0	
		1	0	21.42	21.58	21.58	21.70	0	
		1	12	21.44	21.50	21.45	21.70	0	
		1	24	21.50	21.39	21.58	21.70	0	
		12	0	21.51	21.50	21.40	21.70	0	
256-QAM		12	6	21.55	21.46	21.43	21.70	0	
		12	13	21.51	21.51	21.55	21.70	0	
		25	0	21.45	21.41	21.53	21.70	0	
		1	0	21.58	21.45	21.54	21.70	0	
		1	12	21.57	21.46	21.56	21.70	0	
		1	24	21.53	21.53	21.41	21.70	0	
12		0	21.54	21.39	21.56	21.70	0		
12		6	21.39	21.42	21.44	21.70	0		
12		13	21.40	21.44	21.47	21.70	0		
25		0	21.54	21.57	21.57	21.70	0		

Unless otherwise stated the results shown in this test report refer only to the sample(s) tested and such sample(s) are retained for 90 days only.

除非另有說明，此報告結果僅對測試之樣品負責，同時此樣品僅保留90天。本報告未經本公司書面許可，不可部份複製。

This document is issued by the Company subject to its General Conditions of Service printed overleaf, available on request or accessible at <http://www.sgs.com.tw/Terms-and-Conditions> and for electronic format documents, subject to Terms and Conditions for Electronic Documents at <http://www.sgs.com.tw/Terms-and-Conditions>. Attention is drawn to the limitation of liability, indemnification and jurisdiction issues defined therein. Any holder of this document is advised that information contained hereon reflects the Company's findings at the time of its intervention only and within the limits of Client's instructions, if any. The Company's sole responsibility is to its Client and this document does not exonerate parties to a transaction from exercising all their rights and obligations under the transaction documents. This document cannot be reproduced except in full, without prior written approval of the Company. Any unauthorized alteration, forgery or falsification of the content or appearance of this document is unlawful and offenders may be prosecuted to the fullest extent of the law.

LTE Band 5									
BW(Mhz)	Modulation	RB Size	RB Offset	Conducted power (dBm)			Target Power + Max. Tolerance (dBm)	MPR Allowed per 3GPP(dB)	
Frequency (MHz)			825.5	836.5	847.5				
Channel			20415	20525	20635				
3	QPSK	1	0	21.53	21.49	21.45	21.70	0	
		1	7	21.40	21.50	21.50	21.70	0	
		1	14	21.57	21.43	21.49	21.70	0	
		8	0	21.47	21.51	21.39	21.70	0	
		8	4	21.39	21.57	21.45	21.70	0	
		8	7	21.52	21.48	21.48	21.70	0	
	16-QAM	15	0	21.49	21.58	21.40	21.70	0	
		1	0	21.54	21.56	21.53	21.70	0	
		1	7	21.53	21.44	21.55	21.70	0	
		1	14	21.53	21.40	21.45	21.70	0	
		8	0	21.47	21.54	21.58	21.70	0	
		8	4	21.41	21.46	21.55	21.70	0	
	64-QAM	8	7	21.58	21.55	21.46	21.70	0	
		15	0	21.52	21.40	21.52	21.70	0	
		1	0	21.52	21.58	21.50	21.70	0	
		1	7	21.39	21.39	21.43	21.70	0	
		1	14	21.45	21.54	21.47	21.70	0	
		8	0	21.44	21.39	21.49	21.70	0	
	256-QAM	8	4	21.45	21.57	21.54	21.70	0	
		8	7	21.39	21.52	21.43	21.70	0	
		15	0	21.58	21.41	21.42	21.70	0	
		1	0	21.39	21.52	21.43	21.70	0	
		1	7	21.44	21.44	21.52	21.70	0	
		1	14	21.41	21.57	21.45	21.70	0	
	1.4	QPSK	8	4	21.40	21.44	21.42	21.70	0
			8	7	21.45	21.52	21.49	21.70	0
			15	0	21.56	21.49	21.52	21.70	0
1			0	21.50	21.42	21.51	21.70	0	
1			2	21.56	21.53	21.51	21.70	0	
1			5	21.46	21.56	21.53	21.70	0	
16-QAM		3	0	21.40	21.50	21.40	21.70	0	
		3	2	21.39	21.49	21.47	21.70	0	
		3	3	21.55	21.52	21.42	21.70	0	
		6	0	21.56	21.39	21.57	21.70	0	
		1	0	21.49	21.43	21.56	21.70	0	
		1	2	21.39	21.48	21.43	21.70	0	
64-QAM		1	5	21.45	21.40	21.46	21.70	0	
		3	0	21.53	21.43	21.51	21.70	0	
		3	2	21.45	21.41	21.44	21.70	0	
		3	3	21.50	21.48	21.46	21.70	0	
		6	0	21.51	21.52	21.46	21.70	0	
		1	0	21.47	21.58	21.39	21.70	0	
256-QAM		1	2	21.49	21.48	21.48	21.70	0	
		1	5	21.53	21.50	21.40	21.70	0	
		3	0	21.43	21.39	21.47	21.70	0	
		3	2	21.50	21.39	21.41	21.70	0	
		3	3	21.46	21.48	21.51	21.70	0	
		6	0	21.46	21.56	21.47	21.70	0	
1.4		256-QAM	1	0	21.56	21.48	21.51	21.70	0
			1	2	21.55	21.50	21.45	21.70	0
			1	5	21.49	21.58	21.40	21.70	0
	3		0	21.53	21.50	21.43	21.70	0	
	3		2	21.54	21.58	21.55	21.70	0	
	3		3	21.46	21.53	21.54	21.70	0	
Frequency (MHz)			824.7	836.5	848.3	Target Power + Max. Tolerance (dBm)	MPR Allowed per 3GPP(dB)		
Channel			20407	20525	20643				

Unless otherwise stated the results shown in this test report refer only to the sample(s) tested and such sample(s) are retained for 90 days only.

除非另有說明，此報告結果僅對測試之樣品負責，同時此樣品僅保留90天。本報告未經本公司書面許可，不可部份複製。

This document is issued by the Company subject to its General Conditions of Service printed overleaf, available on request or accessible at <http://www.sgs.com.tw/Terms-and-Conditions> and for electronic format documents, subject to Terms and Conditions for Electronic Documents at <http://www.sgs.com.tw/Terms-and-Conditions>. Attention is drawn to the limitation of liability, indemnification and jurisdiction issues defined therein. Any holder of this document is advised that information contained hereon reflects the Company's findings at the time of its intervention only and within the limits of Client's instructions, if any. The Company's sole responsibility is to its Client and this document does not exonerate parties to a transaction from exercising all their rights and obligations under the transaction documents. This document cannot be reproduced except in full, without prior written approval of the Company. Any unauthorized alteration, forgery or falsification of the content or appearance of this document is unlawful and offenders may be prosecuted to the fullest extent of the law.

LTE Band 7									
BW(Mhz)	Modulation	RB Size	RB Offset	Conducted power (dBm)			Target Power + Max. Tolerance (dBm)	MPR Allowed per 3GPP(dB)	
Frequency (MHz)			2510	2535	2560				
Channel			20850	21100	21350				
20	QPSK	1	0	14.44	14.48	14.40	14.50	0	
		1	50	14.28	14.22	14.27	14.50	0	
		1	99	14.30	14.34	14.31	14.50	0	
		50	0	14.33	14.22	14.25	14.50	0	
		50	25	14.34	14.28	14.26	14.50	0	
		50	50	14.36	14.29	14.30	14.50	0	
	16-QAM	100	0	14.28	14.21	14.35	14.50	0	
		1	0	14.34	14.35	14.24	14.50	0	
		1	50	14.35	14.35	14.33	14.50	0	
		1	99	14.28	14.22	14.38	14.50	0	
		50	0	14.30	14.33	14.31	14.50	0	
		50	25	14.35	14.23	14.30	14.50	0	
	64-QAM	50	50	14.36	14.34	14.25	14.50	0	
		100	0	14.40	14.22	14.36	14.50	0	
		1	0	14.32	14.32	14.34	14.50	0	
		1	50	14.33	14.22	14.23	14.50	0	
		1	99	14.22	14.31	14.33	14.50	0	
		50	0	14.23	14.29	14.23	14.50	0	
	256-QAM	50	25	14.24	14.33	14.23	14.50	0	
		50	50	14.35	14.23	14.23	14.50	0	
		100	0	14.28	14.23	14.27	14.50	0	
		1	0	14.40	14.23	14.39	14.50	0	
		1	50	14.24	14.37	14.37	14.50	0	
		1	99	14.30	14.29	14.24	14.50	0	
	Frequency (MHz)			2507.5	2535	2562.5	Target Power + Max. Tolerance (dBm)	MPR Allowed per 3GPP(dB)	
	Channel			20825	21100	21375			
	15	QPSK	1	0	14.28	14.38	14.40	14.50	0
			1	36	14.24	14.34	14.31	14.50	0
			1	74	14.22	14.33	14.22	14.50	0
			36	0	14.27	14.31	14.21	14.50	0
36			18	14.28	14.37	14.28	14.50	0	
36			37	14.21	14.32	14.23	14.50	0	
16-QAM		75	0	14.33	14.36	14.33	14.50	0	
		1	0	14.30	14.40	14.21	14.50	0	
		1	36	14.23	14.25	14.39	14.50	0	
		1	74	14.35	14.35	14.30	14.50	0	
		36	0	14.23	14.23	14.36	14.50	0	
		36	18	14.37	14.28	14.27	14.50	0	
64-QAM		36	37	14.39	14.22	14.23	14.50	0	
		75	0	14.39	14.23	14.23	14.50	0	
		1	0	14.24	14.40	14.38	14.50	0	
		1	36	14.23	14.23	14.26	14.50	0	
		1	74	14.29	14.33	14.33	14.50	0	
		36	0	14.30	14.35	14.35	14.50	0	
256-QAM		36	18	14.24	14.34	14.29	14.50	0	
		36	37	14.38	14.21	14.39	14.50	0	
		75	0	14.21	14.29	14.36	14.50	0	
		1	0	14.26	14.34	14.31	14.50	0	
		1	36	14.37	14.38	14.29	14.50	0	
		1	74	14.33	14.33	14.24	14.50	0	

Unless otherwise stated the results shown in this test report refer only to the sample(s) tested and such sample(s) are retained for 90 days only.

除非另有說明，此報告結果僅對測試之樣品負責，同時此樣品僅保留90天。本報告未經本公司書面許可，不可部份複製。

This document is issued by the Company subject to its General Conditions of Service printed overleaf, available on request or accessible at <http://www.sgs.com.tw/Terms-and-Conditions> and for electronic format documents, subject to Terms and Conditions for Electronic Documents at <http://www.sgs.com.tw/Terms-and-Conditions>. Attention is drawn to the limitation of liability, indemnification and jurisdiction issues defined therein. Any holder of this document is advised that information contained hereon reflects the Company's findings at the time of its intervention only and within the limits of Client's instructions, if any. The Company's sole responsibility is to its Client and this document does not exonerate parties to a transaction from exercising all their rights and obligations under the transaction documents. This document cannot be reproduced except in full, without prior written approval of the Company. Any unauthorized alteration, forgery or falsification of the content or appearance of this document is unlawful and offenders may be prosecuted to the fullest extent of the law.

LTE Band 7									
BW(Mhz)	Modulation	RB Size	RB Offset	Conducted power (dBm)			Target Power + Max. Tolerance (dBm)	MPR Allowed per 3GPP(dB)	
Frequency (MHz)			2505	2535	2565				
Channel			20800	21100	21400				
10	QPSK	1	0	14.38	14.27	14.39	14.50	0	
		1	25	14.38	14.28	14.28	14.50	0	
		1	49	14.26	14.30	14.39	14.50	0	
		25	0	14.31	14.27	14.25	14.50	0	
		25	12	14.40	14.40	14.34	14.50	0	
		25	25	14.26	14.39	14.24	14.50	0	
	16-QAM	50	0	14.24	14.21	14.21	14.50	0	
		1	0	14.35	14.35	14.37	14.50	0	
		1	25	14.35	14.29	14.36	14.50	0	
		1	49	14.27	14.40	14.30	14.50	0	
		25	0	14.33	14.22	14.34	14.50	0	
		25	12	14.28	14.34	14.22	14.50	0	
	64-QAM	25	25	14.29	14.21	14.37	14.50	0	
		50	0	14.29	14.39	14.35	14.50	0	
		1	0	14.33	14.37	14.23	14.50	0	
		1	25	14.37	14.36	14.33	14.50	0	
		1	49	14.24	14.22	14.29	14.50	0	
		25	0	14.39	14.40	14.40	14.50	0	
	256-QAM	25	12	14.39	14.22	14.27	14.50	0	
		25	25	14.34	14.22	14.34	14.50	0	
		50	0	14.21	14.37	14.23	14.50	0	
		1	0	14.40	14.40	14.21	14.50	0	
		1	25	14.21	14.33	14.40	14.50	0	
		1	49	14.29	14.28	14.38	14.50	0	
	Frequency (MHz)			2502.5	2535	2567.5	Target Power + Max. Tolerance (dBm)	MPR Allowed per 3GPP(dB)	
	Channel			20775	21100	21425			
	5	QPSK	1	0	14.24	14.40	14.26	14.50	0
			1	12	14.28	14.22	14.21	14.50	0
			1	24	14.30	14.39	14.31	14.50	0
			12	0	14.36	14.33	14.35	14.50	0
12			6	14.29	14.35	14.25	14.50	0	
12			13	14.40	14.30	14.34	14.50	0	
16-QAM		25	0	14.33	14.22	14.25	14.50	0	
		1	0	14.26	14.36	14.33	14.50	0	
		1	12	14.28	14.27	14.25	14.50	0	
		1	24	14.38	14.25	14.26	14.50	0	
		12	0	14.36	14.29	14.21	14.50	0	
		12	6	14.28	14.24	14.40	14.50	0	
64-QAM		12	13	14.39	14.25	14.25	14.50	0	
		25	0	14.21	14.32	14.28	14.50	0	
		1	0	14.35	14.34	14.25	14.50	0	
		1	12	14.37	14.26	14.24	14.50	0	
		1	24	14.33	14.40	14.27	14.50	0	
		12	0	14.33	14.23	14.24	14.50	0	
256-QAM		12	6	14.35	14.37	14.26	14.50	0	
		12	13	14.36	14.38	14.32	14.50	0	
		25	0	14.36	14.21	14.36	14.50	0	
		1	0	14.32	14.33	14.33	14.50	0	
		1	12	14.36	14.36	14.24	14.50	0	
		1	24	14.23	14.37	14.22	14.50	0	
12		0	14.32	14.24	14.25	14.50	0		
12		6	14.23	14.38	14.40	14.50	0		
12		13	14.36	14.37	14.28	14.50	0		
25		0	14.25	14.29	14.30	14.50	0		

Unless otherwise stated the results shown in this test report refer only to the sample(s) tested and such sample(s) are retained for 90 days only.

除非另有說明，此報告結果僅對測試之樣品負責，同時此樣品僅保留90天。本報告未經本公司書面許可，不可部份複製。

This document is issued by the Company subject to its General Conditions of Service printed overleaf, available on request or accessible at <http://www.sgs.com.tw/Terms-and-Conditions> and for electronic format documents, subject to Terms and Conditions for Electronic Documents at <http://www.sgs.com.tw/Terms-and-Conditions>. Attention is drawn to the limitation of liability, indemnification and jurisdiction issues defined therein. Any holder of this document is advised that information contained hereon reflects the Company's findings at the time of its intervention only and within the limits of Client's instructions, if any. The Company's sole responsibility is to its Client and this document does not exonerate parties to a transaction from exercising all their rights and obligations under the transaction documents. This document cannot be reproduced except in full, without prior written approval of the Company. Any unauthorized alteration, forgery or falsification of the content or appearance of this document is unlawful and offenders may be prosecuted to the fullest extent of the law.

LTE Band 12										
BW(Mhz)	Modulation	RB Size	RB Offset	Conducted power (dBm)			Target Power + Max. Tolerance (dBm)	MPR Allowed per 3GPP(dB)		
Frequency (MHz)			704	707.5	711					
Channel			23060	23095	23130					
10	QPSK	1	0	20.16	20.18	20.14	20.20	0		
		1	25	20.06	20.10	20.09	20.20	0		
		1	49	20.10	20.12	20.00	20.20	0		
		25	0	20.08	20.02	20.07	20.20	0		
		25	12	20.13	20.06	20.11	20.20	0		
		25	25	20.01	20.03	19.98	20.20	0		
	16-QAM	50	0	20.03	20.14	19.98	20.20	0		
		1	0	20.07	20.05	19.98	20.20	0		
		1	25	20.12	19.96	20.01	20.20	0		
		1	49	20.14	20.11	20.05	20.20	0		
		25	0	20.06	20.05	20.06	20.20	0		
		25	12	19.96	20.05	20.15	20.20	0		
	64-QAM	25	25	20.12	20.07	20.15	20.20	0		
		50	0	20.06	20.15	20.14	20.20	0		
		1	0	20.06	19.97	20.15	20.20	0		
		1	25	20.05	20.09	20.12	20.20	0		
		1	49	20.13	20.02	20.15	20.20	0		
		25	0	20.13	20.08	20.04	20.20	0		
	256-QAM	25	12	20.11	20.10	20.13	20.20	0		
		25	25	20.13	20.06	20.15	20.20	0		
		50	0	20.06	19.99	20.15	20.20	0		
		1	0	20.09	20.05	19.96	20.20	0		
		1	25	20.01	20.06	20.07	20.20	0		
		1	49	20.04	19.98	20.14	20.20	0		
	5	QPSK	25	0	19.99	20.07	20.08	20.20	0	
			25	12	20.14	20.14	20.02	20.20	0	
			25	25	19.96	20.14	20.05	20.20	0	
			50	0	20.11	20.01	19.96	20.20	0	
			1	0	20.10	19.98	19.95	20.20	0	
			1	12	20.06	20.03	19.99	20.20	0	
16-QAM		1	24	20.00	19.98	19.98	20.20	0		
		12	0	20.15	20.07	20.09	20.20	0		
		12	6	20.00	20.10	20.13	20.20	0		
		12	13	20.12	20.05	20.01	20.20	0		
		25	0	20.09	20.14	20.15	20.20	0		
		1	0	20.04	20.00	20.00	20.20	0		
64-QAM		1	12	20.14	20.00	20.06	20.20	0		
		1	24	19.98	19.97	20.02	20.20	0		
		12	0	20.02	19.97	20.06	20.20	0		
		12	6	20.05	19.97	19.97	20.20	0		
		12	13	20.13	19.97	20.07	20.20	0		
		25	0	20.08	20.14	20.08	20.20	0		
256-QAM		1	0	20.11	20.03	20.11	20.20	0		
		1	12	19.98	20.08	20.00	20.20	0		
		1	24	19.97	20.10	20.02	20.20	0		
		12	0	20.05	20.07	20.00	20.20	0		
		12	6	20.08	20.01	19.96	20.20	0		
		12	13	20.15	20.05	20.03	20.20	0		
Frequency (MHz)		Channel			701.5	707.5	713.5	Target Power + Max. Tolerance (dBm)	MPR Allowed per 3GPP(dB)	
		Channel			23035	23095	23155			
		5	QPSK	1	0	20.00	20.03	20.00	20.20	0
				1	12	20.08	20.07	20.04	20.20	0
				1	24	20.07	19.99	20.06	20.20	0
				12	0	20.09	20.04	20.14	20.20	0
	12			6	20.08	20.01	19.96	20.20	0	
	12			13	20.12	20.09	20.15	20.20	0	
	16-QAM		25	0	19.99	20.00	20.08	20.20	0	
			1	0	20.00	20.03	20.00	20.20	0	
			1	12	20.08	20.07	20.04	20.20	0	
			1	24	20.07	19.99	20.06	20.20	0	
12			0	20.09	20.04	20.14	20.20	0		
12			6	20.12	20.11	19.96	20.20	0		
64-QAM	12	13	20.12	20.09	20.15	20.20	0			
	25	0	19.99	20.00	20.08	20.20	0			

Unless otherwise stated the results shown in this test report refer only to the sample(s) tested and such sample(s) are retained for 90 days only.

除非另有說明，此報告結果僅對測試之樣品負責，同時此樣品僅保留90天。本報告未經本公司書面許可，不可部份複製。

This document is issued by the Company subject to its General Conditions of Service printed overleaf, available on request or accessible at <http://www.sgs.com.tw/Terms-and-Conditions> and for electronic format documents, subject to Terms and Conditions for Electronic Documents at <http://www.sgs.com.tw/Terms-and-Conditions>. Attention is drawn to the limitation of liability, indemnification and jurisdiction issues defined therein. Any holder of this document is advised that information contained hereon reflects the Company's findings at the time of its intervention only and within the limits of Client's instructions, if any. The Company's sole responsibility is to its Client and this document does not exonerate parties to a transaction from exercising all their rights and obligations under the transaction documents. This document cannot be reproduced except in full, without prior written approval of the Company. Any unauthorized alteration, forgery or falsification of the content or appearance of this document is unlawful and offenders may be prosecuted to the fullest extent of the law.

LTE Band 12										
BW(Mhz)	Modulation	RB Size	RB Offset	Conducted power (dBm)			Target Power + Max. Tolerance (dBm)	MPR Allowed per 3GPP(dB)		
Frequency (MHz)			700.5	707.5	714.5					
Channel			23025	23095	23165					
3	QPSK	1	0	20.07	20.05	20.12	20.20	0		
		1	7	20.07	19.99	20.11	20.20	0		
		1	14	20.06	20.02	19.98	20.20	0		
		8	0	20.00	19.96	19.97	20.20	0		
		8	4	20.10	20.07	20.01	20.20	0		
		8	7	20.13	19.96	19.97	20.20	0		
	16-QAM	15	0	19.99	20.12	20.07	20.20	0		
		1	0	20.04	20.06	20.07	20.20	0		
		1	7	20.13	20.01	20.05	20.20	0		
		1	14	20.01	19.98	19.99	20.20	0		
		8	0	20.13	20.14	20.12	20.20	0		
		8	4	19.99	19.96	20.09	20.20	0		
	64-QAM	8	7	20.10	20.14	19.96	20.20	0		
		15	0	19.97	20.00	20.09	20.20	0		
		1	0	20.01	20.12	20.12	20.20	0		
		1	7	19.98	20.14	20.13	20.20	0		
		1	14	20.08	19.99	20.15	20.20	0		
		8	0	20.03	20.08	20.13	20.20	0		
	256-QAM	8	4	20.12	20.10	19.98	20.20	0		
		8	7	20.14	20.13	20.02	20.20	0		
		15	0	20.14	20.03	20.09	20.20	0		
		1	0	19.98	19.96	20.02	20.20	0		
		1	7	19.98	20.03	20.06	20.20	0		
		1	14	19.99	20.08	20.11	20.20	0		
	1.4	QPSK	8	0	20.14	20.13	20.12	20.20	0	
			8	4	19.96	20.10	20.11	20.20	0	
			8	7	20.15	20.11	20.00	20.20	0	
			15	0	19.99	19.97	19.99	20.20	0	
			Frequency (MHz)			699.7	707.5	715.3	Target Power + Max. Tolerance (dBm)	MPR Allowed per 3GPP(dB)
			Channel			23017	23095	23173		
1.4		QPSK	1	0	20.02	20.03	19.97	20.20	0	
			1	2	20.12	20.08	20.03	20.20	0	
			1	5	19.99	20.04	20.06	20.20	0	
			3	0	20.13	20.13	20.03	20.20	0	
			3	2	20.12	20.02	20.11	20.20	0	
			3	3	20.04	20.03	20.09	20.20	0	
		16-QAM	6	0	20.02	20.13	20.00	20.20	0	
			1	0	20.14	20.13	20.15	20.20	0	
			1	2	20.08	19.98	20.03	20.20	0	
			1	5	20.00	20.14	19.96	20.20	0	
			3	0	20.02	20.15	20.07	20.20	0	
			3	2	20.14	20.07	20.08	20.20	0	
		64-QAM	3	3	20.06	20.10	20.02	20.20	0	
			6	0	20.14	20.03	19.99	20.20	0	
			1	0	19.98	20.05	19.97	20.20	0	
			1	2	20.04	20.01	19.97	20.20	0	
			1	5	19.98	19.97	20.02	20.20	0	
			3	0	20.02	20.10	19.97	20.20	0	
		256-QAM	3	2	19.97	20.01	20.10	20.20	0	
			3	3	20.07	20.00	19.99	20.20	0	
			6	0	20.01	20.00	19.96	20.20	0	
			1	0	20.14	20.00	19.99	20.20	0	
			1	2	20.06	19.96	20.03	20.20	0	
			1	5	20.07	20.01	19.97	20.20	0	
256-QAM	3	0	20.13	20.03	20.15	20.20	0			
	3	2	20.01	20.00	20.08	20.20	0			
	3	3	20.07	20.04	20.07	20.20	0			
	6	0	20.04	20.11	20.09	20.20	0			

Unless otherwise stated the results shown in this test report refer only to the sample(s) tested and such sample(s) are retained for 90 days only.

除非另有說明，此報告結果僅對測試之樣品負責，同時此樣品僅保留90天。本報告未經本公司書面許可，不可部份複製。

This document is issued by the Company subject to its General Conditions of Service printed overleaf, available on request or accessible at <http://www.sgs.com.tw/Terms-and-Conditions> and for electronic format documents, subject to Terms and Conditions for Electronic Documents at <http://www.sgs.com.tw/Terms-and-Conditions>. Attention is drawn to the limitation of liability, indemnification and jurisdiction issues defined therein. Any holder of this document is advised that information contained hereon reflects the Company's findings at the time of its intervention only and within the limits of Client's instructions, if any. The Company's sole responsibility is to its Client and this document does not exonerate parties to a transaction from exercising all their rights and obligations under the transaction documents. This document cannot be reproduced except in full, without prior written approval of the Company. Any unauthorized alteration, forgery or falsification of the content or appearance of this document is unlawful and offenders may be prosecuted to the fullest extent of the law.

LTE Band 13									
BW(Mhz)	Modulation	RB Size	RB Offset	Conducted power (dBm)			Target Power + Max. Tolerance (dBm)	MPR Allowed per 3GPP(dB)	
Frequency (MHz)			782	782	782				
Channel			23230	23230	23230				
10	QPSK	1	0	21.36			21.40	0	
		1	25	21.28			21.40	0	
		1	49	21.24			21.40	0	
		25	0	21.16			21.40	0	
		25	12	21.17			21.40	0	
		25	25	21.22			21.40	0	
	16-QAM	50	0	21.15			21.40	0	
		1	0	21.19			21.40	0	
		1	25	21.17			21.40	0	
		1	49	21.25			21.40	0	
		25	0	21.19			21.40	0	
		25	12	21.30			21.40	0	
	64-QAM	25	25	21.23			21.40	0	
		50	0	21.17			21.40	0	
		1	0	21.17			21.40	0	
		1	25	21.26			21.40	0	
		1	49	21.21			21.40	0	
		25	0	21.27			21.40	0	
	256-QAM	25	12	21.23			21.40	0	
		25	25	21.23			21.40	0	
		50	0	21.16			21.40	0	
		1	0	21.17			21.40	0	
		1	25	21.24			21.40	0	
		1	49	21.25			21.40	0	
	Frequency (MHz)			779.5	782	784.5	Target Power + Max. Tolerance (dBm)	MPR Allowed per 3GPP(dB)	
	Channel			23205	23230	23255			
	5	QPSK	1	0	21.32	21.22	21.31	21.40	0
			1	12	21.27	21.25	21.19	21.40	0
			1	24	21.27	21.16	21.14	21.40	0
			12	0	21.14	21.17	21.30	21.40	0
12			6	21.17	21.19	21.22	21.40	0	
12			13	21.23	21.21	21.20	21.40	0	
16-QAM		25	0	21.10	21.05	21.16	21.40	0	
		1	0	21.13	21.21	21.06	21.40	0	
		1	12	21.23	21.15	21.17	21.40	0	
		1	24	21.15	21.23	21.17	21.40	0	
		12	0	21.12	21.05	21.13	21.40	0	
		12	6	21.10	21.18	21.16	21.40	0	
64-QAM		12	13	21.17	21.16	21.21	21.40	0	
		25	0	21.23	21.14	21.06	21.40	0	
		1	0	21.23	21.15	21.04	21.40	0	
		1	12	21.08	21.17	21.06	21.40	0	
		1	24	21.06	21.18	21.13	21.40	0	
		12	0	21.21	21.08	21.09	21.40	0	
256-QAM		12	6	21.20	21.11	21.22	21.40	0	
		12	13	21.04	21.16	21.06	21.40	0	
		25	0	21.04	21.15	21.19	21.40	0	
		1	0	21.19	21.21	21.23	21.40	0	
		1	12	21.11	21.05	21.21	21.40	0	
		1	24	21.12	21.06	21.18	21.40	0	
12		0	21.21	21.06	21.07	21.40	0		
12		6	21.04	21.23	21.12	21.40	0		
12		13	21.07	21.18	21.09	21.40	0		
25		0	21.12	21.04	21.23	21.40	0		

Unless otherwise stated the results shown in this test report refer only to the sample(s) tested and such sample(s) are retained for 90 days only.

除非另有說明，此報告結果僅對測試之樣品負責，同時此樣品僅保留90天。本報告未經本公司書面許可，不可部份複製。

This document is issued by the Company subject to its General Conditions of Service printed overleaf, available on request or accessible at <http://www.sgs.com.tw/Terms-and-Conditions> and for electronic format documents, subject to Terms and Conditions for Electronic Documents at <http://www.sgs.com.tw/Terms-and-Conditions>. Attention is drawn to the limitation of liability, indemnification and jurisdiction issues defined therein. Any holder of this document is advised that information contained hereon reflects the Company's findings at the time of its intervention only and within the limits of Client's instructions, if any. The Company's sole responsibility is to its Client and this document does not exonerate parties to a transaction from exercising all their rights and obligations under the transaction documents. This document cannot be reproduced except in full, without prior written approval of the Company. Any unauthorized alteration, forgery or falsification of the content or appearance of this document is unlawful and offenders may be prosecuted to the fullest extent of the law.

LTE Band 14									
BW(Mhz)	Modulation	RB Size	RB Offset	Conducted power (dBm)			Target Power + Max. Tolerance (dBm)	MPR Allowed per 3GPP(dB)	
Frequency (MHz)			793	793	793				
Channel			23330	23330	23330				
10	QPSK	1	0	21.68			21.80	0	
		1	25	21.52			21.80	0	
		1	49	21.55			21.80	0	
		25	0	21.62			21.80	0	
		25	12	21.61			21.80	0	
		25	25	21.57			21.80	0	
	16-QAM	50	0	21.64			21.80	0	
		1	0	21.50			21.80	0	
		1	25	21.60			21.80	0	
		1	49	21.63			21.80	0	
		25	0	21.63			21.80	0	
		25	12	21.56			21.80	0	
	64-QAM	25	25	21.47			21.80	0	
		50	0	21.62			21.80	0	
		1	0	21.66			21.80	0	
		1	25	21.60			21.80	0	
		1	49	21.62			21.80	0	
		25	0	21.59			21.80	0	
	256-QAM	25	12	21.64			21.80	0	
		25	25	21.53			21.80	0	
		50	0	21.51			21.80	0	
		1	0	21.62			21.80	0	
		1	25	21.65			21.80	0	
		1	49	21.63			21.80	0	
	Frequency (MHz)			790.5	793	795.5	Target Power + Max. Tolerance (dBm)	MPR Allowed per 3GPP(dB)	
	Channel			23305	23330	23355			
	5	QPSK	1	0	21.54	21.48	21.65	21.80	0
			1	12	21.48	21.52	21.58	21.80	0
			1	24	21.53	21.61	21.56	21.80	0
			12	0	21.55	21.67	21.54	21.80	0
12			6	21.57	21.64	21.62	21.80	0	
12			13	21.65	21.71	21.56	21.80	0	
16-QAM		25	0	21.70	21.67	21.69	21.80	0	
		1	0	21.66	21.68	21.66	21.80	0	
		1	12	21.70	21.53	21.66	21.80	0	
		1	24	21.57	21.65	21.55	21.80	0	
		12	0	21.62	21.61	21.62	21.80	0	
		12	6	21.55	21.59	21.52	21.80	0	
64-QAM		12	13	21.57	21.62	21.70	21.80	0	
		25	0	21.63	21.59	21.57	21.80	0	
		1	0	21.59	21.57	21.61	21.80	0	
		1	12	21.54	21.71	21.66	21.80	0	
		1	24	21.54	21.66	21.69	21.80	0	
		12	0	21.60	21.53	21.66	21.80	0	
256-QAM		12	6	21.59	21.61	21.56	21.80	0	
		12	13	21.58	21.68	21.68	21.80	0	
		25	0	21.67	21.68	21.58	21.80	0	
		1	0	21.59	21.54	21.53	21.80	0	
		1	12	21.55	21.59	21.59	21.80	0	
		1	24	21.58	21.57	21.67	21.80	0	
12		0	21.61	21.69	21.56	21.80	0		
12		6	21.67	21.67	21.63	21.80	0		
12		13	21.61	21.63	21.65	21.80	0		
25		0	21.64	21.62	21.61	21.80	0		

Unless otherwise stated the results shown in this test report refer only to the sample(s) tested and such sample(s) are retained for 90 days only.

除非另有說明，此報告結果僅對測試之樣品負責，同時此樣品僅保留90天。本報告未經本公司書面許可，不可部份複製。

This document is issued by the Company subject to its General Conditions of Service printed overleaf, available on request or accessible at <http://www.sgs.com.tw/Terms-and-Conditions> and for electronic format documents, subject to Terms and Conditions for Electronic Documents at <http://www.sgs.com.tw/Terms-and-Conditions>. Attention is drawn to the limitation of liability, indemnification and jurisdiction issues defined therein. Any holder of this document is advised that information contained hereon reflects the Company's findings at the time of its intervention only and within the limits of Client's instructions, if any. The Company's sole responsibility is to its Client and this document does not exonerate parties to a transaction from exercising all their rights and obligations under the transaction documents. This document cannot be reproduced except in full, without prior written approval of the Company. Any unauthorized alteration, forgery or falsification of the content or appearance of this document is unlawful and offenders may be prosecuted to the fullest extent of the law.

LTE Band 17									
BW(Mhz)	Modulation	RB Size	RB Offset	Conducted power (dBm)			Target Power + Max. Tolerance (dBm)	MPR Allowed per 3GPP(dB)	
Frequency (MHz)			709	710	711				
Channel			23780	23790	23800				
10	QPSK	1	0	20.89	20.90	20.87	21.00	0	
		1	25	20.71	20.79	20.83	21.00	0	
		1	49	20.67	20.67	20.76	21.00	0	
		25	0	20.75	20.71	20.73	21.00	0	
		25	12	20.85	20.70	20.72	21.00	0	
		25	25	20.76	20.72	20.78	21.00	0	
	16-QAM	50	0	20.73	20.82	20.67	21.00	0	
		1	0	20.85	20.68	20.70	21.00	0	
		1	25	20.67	20.85	20.71	21.00	0	
		1	49	20.70	20.66	20.77	21.00	0	
		25	0	20.76	20.68	20.72	21.00	0	
		25	12	20.83	20.77	20.79	21.00	0	
	64-QAM	25	25	20.73	20.83	20.67	21.00	0	
		50	0	20.78	20.82	20.70	21.00	0	
		1	0	20.81	20.67	20.72	21.00	0	
		1	25	20.79	20.79	20.77	21.00	0	
		1	49	20.83	20.83	20.73	21.00	0	
		25	0	20.84	20.84	20.80	21.00	0	
	256-QAM	25	12	20.73	20.74	20.67	21.00	0	
		25	25	20.69	20.66	20.66	21.00	0	
		50	0	20.83	20.79	20.79	21.00	0	
		1	0	20.68	20.71	20.82	21.00	0	
		1	25	20.80	20.75	20.78	21.00	0	
		1	49	20.77	20.79	20.77	21.00	0	
	Frequency (MHz)			706.5	710	713.5	Target Power + Max. Tolerance (dBm)	MPR Allowed per 3GPP(dB)	
	Channel			23755	23790	23825			
	5	QPSK	1	0	20.83	20.78	20.77	21.00	0
			1	12	20.69	20.79	20.70	21.00	0
			1	24	20.79	20.76	20.70	21.00	0
			12	0	20.79	20.80	20.79	21.00	0
12			6	20.79	20.76	20.73	21.00	0	
12			13	20.81	20.70	20.77	21.00	0	
16-QAM		25	0	20.68	20.67	20.85	21.00	0	
		1	0	20.79	20.82	20.80	21.00	0	
		1	12	20.68	20.68	20.81	21.00	0	
		1	24	20.66	20.69	20.68	21.00	0	
		12	0	20.77	20.66	20.69	21.00	0	
		12	6	20.69	20.76	20.83	21.00	0	
64-QAM		12	13	20.80	20.68	20.83	21.00	0	
		25	0	20.71	20.84	20.82	21.00	0	
		1	0	20.68	20.75	20.70	21.00	0	
		1	12	20.75	20.77	20.76	21.00	0	
		1	24	20.79	20.75	20.71	21.00	0	
		12	0	20.76	20.85	20.68	21.00	0	
256-QAM		12	6	20.78	20.68	20.68	21.00	0	
		12	13	20.81	20.71	20.75	21.00	0	
		25	0	20.76	20.72	20.68	21.00	0	
		1	0	20.81	20.80	20.68	21.00	0	
		1	12	20.74	20.71	20.75	21.00	0	
		1	24	20.80	20.78	20.74	21.00	0	
12	0	20.75	20.83	20.66	21.00	0			
12	6	20.81	20.73	20.85	21.00	0			
12	13	20.84	20.67	20.75	21.00	0			
25	0	20.71	20.76	20.68	21.00	0			

Unless otherwise stated the results shown in this test report refer only to the sample(s) tested and such sample(s) are retained for 90 days only.

除非另有說明，此報告結果僅對測試之樣品負責，同時此樣品僅保留90天。本報告未經本公司書面許可，不可部份複製。

This document is issued by the Company subject to its General Conditions of Service printed overleaf, available on request or accessible at <http://www.sgs.com.tw/Terms-and-Conditions> and for electronic format documents, subject to Terms and Conditions for Electronic Documents at <http://www.sgs.com.tw/Terms-and-Conditions>. Attention is drawn to the limitation of liability, indemnification and jurisdiction issues defined therein. Any holder of this document is advised that information contained hereon reflects the Company's findings at the time of its intervention only and within the limits of Client's instructions, if any. The Company's sole responsibility is to its Client and this document does not exonerate parties to a transaction from exercising all their rights and obligations under the transaction documents. This document cannot be reproduced except in full, without prior written approval of the Company. Any unauthorized alteration, forgery or falsification of the content or appearance of this document is unlawful and offenders may be prosecuted to the fullest extent of the law.

LTE Band 25										
BW(Mhz)	Modulation	RB Size	RB Offset	Conducted power (dBm)			Target Power + Max. Tolerance (dBm)	MPR Allowed per 3GPP(dB)		
Frequency (MHz)			1860	1882.5	1905					
Channel			26140	26365	26590					
20	QPSK	1	0	15.95	15.92	15.90	16.10	0		
		1	50	15.78	15.73	15.85	16.10	0		
		1	99	15.82	15.86	15.78	16.10	0		
		50	0	15.87	15.87	15.79	16.10	0		
		50	25	15.86	15.86	15.73	16.10	0		
		50	50	15.83	15.81	15.73	16.10	0		
	16-QAM	100	0	15.82	15.87	15.77	16.10	0		
		1	0	15.85	15.72	15.85	16.10	0		
		1	50	15.86	15.81	15.70	16.10	0		
		1	99	15.84	15.82	15.72	16.10	0		
		50	0	15.76	15.72	15.73	16.10	0		
		50	25	15.83	15.77	15.70	16.10	0		
	64-QAM	50	50	15.77	15.83	15.81	16.10	0		
		100	0	15.85	15.84	15.79	16.10	0		
		1	0	15.74	15.73	15.72	16.10	0		
		1	50	15.73	15.87	15.74	16.10	0		
		1	99	15.79	15.71	15.69	16.10	0		
		50	0	15.78	15.81	15.79	16.10	0		
	256-QAM	50	25	15.86	15.75	15.73	16.10	0		
		50	50	15.83	15.84	15.75	16.10	0		
		100	0	15.87	15.85	15.76	16.10	0		
		1	0	15.77	15.88	15.70	16.10	0		
		1	50	15.87	15.73	15.79	16.10	0		
		1	99	15.85	15.86	15.84	16.10	0		
	15	QPSK	50	0	15.73	15.71	15.70	16.10	0	
			50	25	15.83	15.80	15.74	16.10	0	
			50	50	15.73	15.85	15.71	16.10	0	
			100	0	15.70	15.76	15.80	16.10	0	
			Frequency (MHz)			1857.5	1882.5	1907.5	Target Power + Max. Tolerance (dBm)	MPR Allowed per 3GPP(dB)
			Channel			26115	26365	26615		
15		QPSK	1	0	15.85	15.85	15.88	16.10	0	
			1	36	15.74	15.83	15.83	16.10	0	
			1	74	15.75	15.72	15.70	16.10	0	
			36	0	15.72	15.79	15.84	16.10	0	
			36	18	15.73	15.71	15.86	16.10	0	
			36	37	15.80	15.69	15.82	16.10	0	
		16-QAM	75	0	15.88	15.82	15.86	16.10	0	
			1	0	15.81	15.83	15.78	16.10	0	
			1	36	15.82	15.84	15.82	16.10	0	
			1	74	15.86	15.79	15.70	16.10	0	
			36	0	15.78	15.85	15.83	16.10	0	
			36	18	15.81	15.70	15.80	16.10	0	
		64-QAM	36	37	15.77	15.79	15.74	16.10	0	
			75	0	15.69	15.81	15.81	16.10	0	
			1	0	15.83	15.74	15.81	16.10	0	
			1	36	15.72	15.88	15.75	16.10	0	
			1	74	15.84	15.78	15.84	16.10	0	
			36	0	15.81	15.82	15.79	16.10	0	
		256-QAM	36	18	15.81	15.73	15.75	16.10	0	
			36	37	15.78	15.74	15.74	16.10	0	
			75	0	15.84	15.86	15.83	16.10	0	
			1	0	15.72	15.80	15.72	16.10	0	
			1	36	15.81	15.75	15.69	16.10	0	
			1	74	15.69	15.69	15.86	16.10	0	

Unless otherwise stated the results shown in this test report refer only to the sample(s) tested and such sample(s) are retained for 90 days only.

除非另有說明，此報告結果僅對測試之樣品負責，同時此樣品僅保留90天。本報告未經本公司書面許可，不可部份複製。

This document is issued by the Company subject to its General Conditions of Service printed overleaf, available on request or accessible at <http://www.sgs.com.tw/Terms-and-Conditions> and for electronic format documents, subject to Terms and Conditions for Electronic Documents at <http://www.sgs.com.tw/Terms-and-Conditions>. Attention is drawn to the limitation of liability, indemnification and jurisdiction issues defined therein. Any holder of this document is advised that information contained hereon reflects the Company's findings at the time of its intervention only and within the limits of Client's instructions, if any. The Company's sole responsibility is to its Client and this document does not exonerate parties to a transaction from exercising all their rights and obligations under the transaction documents. This document cannot be reproduced except in full, without prior written approval of the Company. Any unauthorized alteration, forgery or falsification of the content or appearance of this document is unlawful and offenders may be prosecuted to the fullest extent of the law.

LTE Band 25									
BW(Mhz)	Modulation	RB Size	RB Offset	Conducted power (dBm)			Target Power + Max. Tolerance (dBm)	MPR Allowed per 3GPP(dB)	
Frequency (MHz)			1855	1882.5	1910				
Channel			26090	26365	26640				
10	QPSK	1	0	15.76	15.80	15.85	16.10	0	
		1	25	15.80	15.70	15.75	16.10	0	
		1	49	15.75	15.78	15.70	16.10	0	
		25	0	15.84	15.81	15.77	16.10	0	
		25	12	15.85	15.76	15.70	16.10	0	
		25	25	15.82	15.84	15.71	16.10	0	
	16-QAM	50	0	15.79	15.69	15.72	16.10	0	
		1	0	15.73	15.84	15.70	16.10	0	
		1	25	15.79	15.81	15.84	16.10	0	
		1	49	15.71	15.87	15.79	16.10	0	
		25	0	15.85	15.76	15.69	16.10	0	
		25	12	15.74	15.83	15.71	16.10	0	
	64-QAM	25	25	15.73	15.71	15.85	16.10	0	
		50	0	15.84	15.71	15.71	16.10	0	
		1	0	15.79	15.71	15.88	16.10	0	
		1	25	15.86	15.70	15.86	16.10	0	
		1	49	15.77	15.74	15.84	16.10	0	
		25	0	15.71	15.71	15.84	16.10	0	
	256-QAM	25	12	15.72	15.75	15.88	16.10	0	
		25	25	15.79	15.78	15.74	16.10	0	
		50	0	15.77	15.78	15.84	16.10	0	
		1	0	15.79	15.80	15.80	16.10	0	
		1	25	15.71	15.72	15.74	16.10	0	
		1	49	15.79	15.79	15.77	16.10	0	
	Frequency (MHz)			1852.5	1882.5	1912.5	Target Power + Max. Tolerance (dBm)	MPR Allowed per 3GPP(dB)	
	Channel			26065	26365	26665			
	5	QPSK	1	0	15.76	15.86	15.83	16.10	0
			1	12	15.81	15.86	15.83	16.10	0
			1	24	15.78	15.83	15.78	16.10	0
			12	0	15.83	15.84	15.75	16.10	0
12			6	15.83	15.72	15.88	16.10	0	
12			13	15.71	15.88	15.80	16.10	0	
16-QAM		25	0	15.74	15.78	15.72	16.10	0	
		1	0	15.86	15.73	15.69	16.10	0	
		1	12	15.71	15.84	15.88	16.10	0	
		1	24	15.77	15.79	15.70	16.10	0	
		12	0	15.74	15.69	15.69	16.10	0	
		12	6	15.73	15.83	15.82	16.10	0	
64-QAM		12	13	15.79	15.79	15.75	16.10	0	
		25	0	15.71	15.83	15.74	16.10	0	
		1	0	15.88	15.81	15.83	16.10	0	
		1	12	15.76	15.83	15.70	16.10	0	
		1	24	15.71	15.76	15.79	16.10	0	
		12	0	15.87	15.78	15.80	16.10	0	
256-QAM		12	6	15.87	15.73	15.69	16.10	0	
		12	13	15.84	15.88	15.84	16.10	0	
		12	13	15.77	15.88	15.74	16.10	0	
		25	0	15.72	15.75	15.71	16.10	0	
		1	0	15.80	15.80	15.71	16.10	0	
		1	12	15.86	15.74	15.80	16.10	0	

Unless otherwise stated the results shown in this test report refer only to the sample(s) tested and such sample(s) are retained for 90 days only.

除非另有說明，此報告結果僅對測試之樣品負責，同時此樣品僅保留90天。本報告未經本公司書面許可，不可部份複製。

This document is issued by the Company subject to its General Conditions of Service printed overleaf, available on request or accessible at <http://www.sgs.com.tw/Terms-and-Conditions> and for electronic format documents, subject to Terms and Conditions for Electronic Documents at <http://www.sgs.com.tw/Terms-and-Conditions>. Attention is drawn to the limitation of liability, indemnification and jurisdiction issues defined therein. Any holder of this document is advised that information contained hereon reflects the Company's findings at the time of its intervention only and within the limits of Client's instructions, if any. The Company's sole responsibility is to its Client and this document does not exonerate parties to a transaction from exercising all their rights and obligations under the transaction documents. This document cannot be reproduced except in full, without prior written approval of the Company. Any unauthorized alteration, forgery or falsification of the content or appearance of this document is unlawful and offenders may be prosecuted to the fullest extent of the law.

LTE Band 25										
BW(Mhz)	Modulation	RB Size	RB Offset	Conducted power (dBm)			Target Power + Max. Tolerance (dBm)	MPR Allowed per 3GPP(dB)		
Frequency (MHz)			1851.5	1882.5	1913.5					
Channel			26055	26365	26675					
3	QPSK	1	0	15.81	15.87	15.78	16.10	0		
		1	7	15.77	15.77	15.78	16.10	0		
		1	14	15.79	15.79	15.74	16.10	0		
		8	0	15.73	15.71	15.83	16.10	0		
		8	4	15.74	15.74	15.82	16.10	0		
		8	7	15.76	15.84	15.71	16.10	0		
	16-QAM	15	0	15.82	15.76	15.83	16.10	0		
		1	0	15.84	15.87	15.83	16.10	0		
		1	7	15.81	15.77	15.74	16.10	0		
		1	14	15.79	15.74	15.78	16.10	0		
		8	0	15.79	15.85	15.72	16.10	0		
		8	4	15.75	15.77	15.84	16.10	0		
	64-QAM	8	7	15.77	15.82	15.84	16.10	0		
		15	0	15.71	15.75	15.81	16.10	0		
		1	0	15.83	15.79	15.87	16.10	0		
		1	7	15.72	15.81	15.79	16.10	0		
		1	14	15.83	15.78	15.70	16.10	0		
		8	0	15.72	15.69	15.84	16.10	0		
	256-QAM	8	4	15.75	15.88	15.86	16.10	0		
		8	7	15.79	15.80	15.79	16.10	0		
		15	0	15.83	15.79	15.82	16.10	0		
		1	0	15.78	15.84	15.71	16.10	0		
		1	7	15.85	15.83	15.80	16.10	0		
		1	14	15.72	15.80	15.83	16.10	0		
	1.4	QPSK	8	0	15.85	15.76	15.69	16.10	0	
			8	4	15.75	15.79	15.85	16.10	0	
			8	7	15.88	15.72	15.87	16.10	0	
			15	0	15.88	15.86	15.78	16.10	0	
			Frequency (MHz)			1850.7	1882.5	1914.3	Target Power + Max. Tolerance (dBm)	MPR Allowed per 3GPP(dB)
			Channel			26047	26365	26683		
1.4		QPSK	1	0	15.69	15.86	15.70	16.10	0	
			1	2	15.76	15.74	15.83	16.10	0	
			1	5	15.71	15.82	15.71	16.10	0	
			3	0	15.85	15.84	15.81	16.10	0	
			3	2	15.81	15.80	15.88	16.10	0	
			3	3	15.69	15.88	15.71	16.10	0	
		16-QAM	6	0	15.83	15.75	15.72	16.10	0	
			1	0	15.76	15.72	15.79	16.10	0	
			1	2	15.69	15.84	15.80	16.10	0	
			1	5	15.71	15.73	15.76	16.10	0	
			3	0	15.73	15.80	15.81	16.10	0	
			3	2	15.75	15.83	15.79	16.10	0	
		64-QAM	3	3	15.82	15.86	15.69	16.10	0	
			6	0	15.82	15.77	15.75	16.10	0	
			1	0	15.81	15.81	15.83	16.10	0	
			1	2	15.83	15.86	15.78	16.10	0	
			1	5	15.78	15.70	15.69	16.10	0	
			3	0	15.75	15.79	15.74	16.10	0	
		256-QAM	3	2	15.76	15.71	15.77	16.10	0	
			3	3	15.80	15.77	15.82	16.10	0	
			6	0	15.74	15.72	15.78	16.10	0	
			1	0	15.83	15.79	15.74	16.10	0	
			1	2	15.82	15.84	15.71	16.10	0	
			1	5	15.82	15.86	15.78	16.10	0	
256-QAM	3	0	15.80	15.75	15.74	16.10	0			
	3	2	15.83	15.88	15.79	16.10	0			
	3	3	15.88	15.77	15.70	16.10	0			
	6	0	15.85	15.86	15.77	16.10	0			

Unless otherwise stated the results shown in this test report refer only to the sample(s) tested and such sample(s) are retained for 90 days only.

除非另有說明，此報告結果僅對測試之樣品負責，同時此樣品僅保留90天。本報告未經本公司書面許可，不可部份複製。

This document is issued by the Company subject to its General Conditions of Service printed overleaf, available on request or accessible at <http://www.sgs.com.tw/Terms-and-Conditions> and for electronic format documents, subject to Terms and Conditions for Electronic Documents at <http://www.sgs.com.tw/Terms-and-Conditions>. Attention is drawn to the limitation of liability, indemnification and jurisdiction issues defined therein. Any holder of this document is advised that information contained hereon reflects the Company's findings at the time of its intervention only and within the limits of Client's instructions, if any. The Company's sole responsibility is to its Client and this document does not exonerate parties to a transaction from exercising all their rights and obligations under the transaction documents. This document cannot be reproduced except in full, without prior written approval of the Company. Any unauthorized alteration, forgery or falsification of the content or appearance of this document is unlawful and offenders may be prosecuted to the fullest extent of the law.

LTE Band 26										
BW(Mhz)	Modulation	RB Size	RB Offset	Conducted power (dBm)			Target Power + Max. Tolerance (dBm)	MPR Allowed per 3GPP(dB)		
Frequency (MHz)			821.5	831.5	841.5					
Channel			26765	26865	26965					
15	QPSK	1	0	21.90	21.87	21.85	22.00	0		
		1	36	21.69	21.80	21.68	22.00	0		
		1	74	21.69	21.82	21.77	22.00	0		
		36	0	20.73	20.70	20.75	21.00	0-1		
		36	18	20.78	20.69	20.72	21.00	0-1		
		36	37	20.73	20.67	20.71	21.00	0-1		
	16-QAM	75	0	20.78	20.70	20.84	21.00	0-1		
		1	0	20.76	20.70	20.73	21.00	0-1		
		1	36	20.73	20.70	20.72	21.00	0-1		
		1	74	20.74	20.85	20.85	21.00	0-1		
		36	0	19.67	19.68	19.82	20.00	0-2		
		36	18	19.75	19.71	19.73	20.00	0-2		
	64-QAM	36	37	19.81	19.82	19.73	20.00	0-2		
		75	0	19.83	19.81	19.72	20.00	0-2		
		1	0	19.68	19.74	19.73	20.00	0-2		
		1	36	19.75	19.71	19.85	20.00	0-2		
		1	74	19.83	19.77	19.84	20.00	0-2		
		36	0	18.84	18.70	18.79	19.00	0-3		
	256-QAM	36	18	18.84	18.67	18.77	19.00	0-3		
		36	37	18.78	18.69	18.77	19.00	0-3		
		75	0	18.67	18.84	18.85	19.00	0-3		
		1	0	16.86	16.74	16.74	17.00	0-5		
		1	36	16.80	16.78	16.68	17.00	0-5		
		1	74	16.72	16.72	16.71	17.00	0-5		
	10	QPSK	36	0	16.80	16.73	16.76	17.00	0-5	
			36	18	16.69	16.85	16.69	17.00	0-5	
			36	37	16.81	16.80	16.80	17.00	0-5	
			75	0	16.81	16.82	16.72	17.00	0-5	
			Frequency (MHz)			819	831.5	844	Target Power + Max. Tolerance (dBm)	MPR Allowed per 3GPP(dB)
			Channel			26740	26865	26990		
		10	QPSK	1	0	21.79	21.74	21.77	22.00	0
				1	25	21.83	21.75	21.71	22.00	0
				1	49	21.68	21.73	21.83	22.00	0
				25	0	20.82	20.83	20.81	21.00	0-1
				25	12	20.68	20.84	20.83	21.00	0-1
				25	25	20.70	20.70	20.79	21.00	0-1
16-QAM			50	0	20.74	20.84	20.71	21.00	0-1	
			1	0	20.77	20.78	20.67	21.00	0-1	
			1	25	20.69	20.76	20.84	21.00	0-1	
			1	49	20.70	20.75	20.72	21.00	0-1	
			25	0	19.70	19.85	19.86	20.00	0-2	
			25	12	19.75	19.80	19.78	20.00	0-2	
64-QAM	25		25	19.70	19.77	19.81	20.00	0-2		
	50		0	19.68	19.78	19.85	20.00	0-2		
	1		0	19.74	19.78	19.78	20.00	0-2		
	1		25	19.77	19.71	19.75	20.00	0-2		
	1		49	19.80	19.68	19.85	20.00	0-2		
	25		0	18.74	18.78	18.77	19.00	0-3		
256-QAM	25		12	18.77	18.84	18.78	19.00	0-3		
	25		25	18.80	18.75	18.85	19.00	0-3		
	50		0	18.75	18.69	18.73	19.00	0-3		
	1		0	16.83	16.73	16.75	17.00	0-5		
	1		25	16.78	16.81	16.82	17.00	0-5		
	1		49	16.84	16.75	16.73	17.00	0-5		

Unless otherwise stated the results shown in this test report refer only to the sample(s) tested and such sample(s) are retained for 90 days only.

除非另有說明，此報告結果僅對測試之樣品負責，同時此樣品僅保留90天。本報告未經本公司書面許可，不可部份複製。

This document is issued by the Company subject to its General Conditions of Service printed overleaf, available on request or accessible at <http://www.sgs.com.tw/Terms-and-Conditions> and for electronic format documents, subject to Terms and Conditions for Electronic Documents at <http://www.sgs.com.tw/Terms-and-Conditions>. Attention is drawn to the limitation of liability, indemnification and jurisdiction issues defined therein. Any holder of this document is advised that information contained hereon reflects the Company's findings at the time of its intervention only and within the limits of Client's instructions, if any. The Company's sole responsibility is to its Client and this document does not exonerate parties to a transaction from exercising all their rights and obligations under the transaction documents. This document cannot be reproduced except in full, without prior written approval of the Company. Any unauthorized alteration, forgery or falsification of the content or appearance of this document is unlawful and offenders may be prosecuted to the fullest extent of the law.

LTE Band 26										
BW(Mhz)	Modulation	RB Size	RB Offset	Conducted power (dBm)			Target Power + Max. Tolerance (dBm)	MPR Allowed per 3GPP(dB)		
Frequency (MHz)			816.5	831.5	846.5					
Channel			26715	26865	27015					
5	QPSK	1	0	21.82	21.75	21.80	22.00	0		
		1	12	21.73	21.66	21.70	22.00	0		
		1	24	21.74	21.70	21.84	22.00	0		
		12	0	20.75	20.84	20.78	21.00	0-1		
		12	6	20.79	20.73	20.82	21.00	0-1		
		12	13	20.80	20.67	20.85	21.00	0-1		
	16-QAM	25	0	20.69	20.78	20.70	21.00	0-1		
		1	0	20.76	20.78	20.76	21.00	0-1		
		1	12	20.73	20.84	20.84	21.00	0-1		
		1	24	20.72	20.83	20.85	21.00	0-1		
		12	0	19.70	19.75	19.80	20.00	0-2		
		12	6	19.82	19.79	19.80	20.00	0-2		
	64-QAM	12	13	19.84	19.83	19.68	20.00	0-2		
		25	0	19.86	19.85	19.75	20.00	0-2		
		1	0	19.81	19.86	19.71	20.00	0-2		
		1	12	19.81	19.71	19.80	20.00	0-2		
		1	24	19.86	19.83	19.74	20.00	0-2		
		12	0	18.81	18.67	18.74	19.00	0-3		
	256-QAM	12	6	18.82	18.81	18.67	19.00	0-3		
		12	13	18.67	18.73	18.78	19.00	0-3		
		25	0	18.84	18.81	18.71	19.00	0-3		
		1	0	16.81	16.76	16.83	17.00	0-5		
		1	12	16.86	16.83	16.81	17.00	0-5		
		1	24	16.78	16.68	16.72	17.00	0-5		
	3	QPSK	12	0	16.67	16.86	16.82	17.00	0-5	
			12	6	16.77	16.69	16.84	17.00	0-5	
			12	13	16.73	16.69	16.71	17.00	0-5	
			25	0	16.78	16.68	16.68	17.00	0-5	
			Frequency (MHz)			815.5	831.5	847.5	Target Power + Max. Tolerance (dBm)	MPR Allowed per 3GPP(dB)
			Channel			26705	26865	27025		
3		QPSK	1	0	21.77	21.83	21.81	22.00	0	
			1	7	21.82	21.67	21.80	22.00	0	
			1	14	21.66	21.75	21.76	22.00	0	
			8	0	20.74	20.81	20.76	21.00	0-1	
			8	4	20.77	20.75	20.86	21.00	0-1	
			8	7	20.83	20.72	20.70	21.00	0-1	
		16-QAM	15	0	20.70	20.80	20.71	21.00	0-1	
			1	0	20.70	20.78	20.82	21.00	0-1	
			1	7	20.78	20.69	20.68	21.00	0-1	
			1	14	20.79	20.74	20.75	21.00	0-1	
			8	0	19.75	19.74	19.77	20.00	0-2	
			8	4	19.77	19.78	19.70	20.00	0-2	
	64-QAM	8	7	19.73	19.71	19.75	20.00	0-2		
		15	0	19.80	19.85	19.85	20.00	0-2		
		1	0	19.67	19.78	19.69	20.00	0-2		
		1	7	19.85	19.76	19.72	20.00	0-2		
		1	14	19.76	19.78	19.71	20.00	0-2		
		8	0	18.85	18.68	18.69	19.00	0-3		
	256-QAM	8	4	18.75	18.70	18.77	19.00	0-3		
		8	7	18.77	18.86	18.73	19.00	0-3		
		15	0	18.76	18.69	18.77	19.00	0-3		
		1	0	16.68	16.86	16.84	17.00	0-5		
		1	7	16.69	16.79	16.84	17.00	0-5		
		1	14	16.81	16.71	16.76	17.00	0-5		

Unless otherwise stated the results shown in this test report refer only to the sample(s) tested and such sample(s) are retained for 90 days only.

除非另有說明，此報告結果僅對測試之樣品負責，同時此樣品僅保留90天。本報告未經本公司書面許可，不可部份複製。

This document is issued by the Company subject to its General Conditions of Service printed overleaf, available on request or accessible at <http://www.sgs.com.tw/Terms-and-Conditions> and for electronic format documents, subject to Terms and Conditions for Electronic Documents at <http://www.sgs.com.tw/Terms-and-Conditions>. Attention is drawn to the limitation of liability, indemnification and jurisdiction issues defined therein. Any holder of this document is advised that information contained hereon reflects the Company's findings at the time of its intervention only and within the limits of Client's instructions, if any. The Company's sole responsibility is to its Client and this document does not exonerate parties to a transaction from exercising all their rights and obligations under the transaction documents. This document cannot be reproduced except in full, without prior written approval of the Company. Any unauthorized alteration, forgery or falsification of the content or appearance of this document is unlawful and offenders may be prosecuted to the fullest extent of the law.

LTE Band 26								
BW(Mhz)	Modulation	RB Size	RB Offset	Conducted power (dBm)			Target Power + Max. Tolerance (dBm)	MPR Allowed per 3GPP(dB)
Frequency (MHz)			814.7	831.5	848.3			
Channel			26697	26865	27033			
1.4	QPSK	1	0	21.69	21.65	21.68	22.00	0
		1	2	21.81	21.82	21.84	22.00	0
		1	5	21.78	21.73	21.75	22.00	0
		3	0	20.78	20.77	20.69	21.00	0-1
		3	2	20.74	20.72	20.82	21.00	0-1
		3	3	20.86	20.84	20.83	21.00	0-1
	16-QAM	6	0	20.67	20.86	20.85	21.00	0-1
		1	0	20.80	20.75	20.81	21.00	0-1
		1	2	20.71	20.67	20.76	21.00	0-1
		1	5	20.81	20.69	20.82	21.00	0-1
		3	0	19.86	19.80	19.79	20.00	0-2
		3	2	19.83	19.70	19.73	20.00	0-2
	64-QAM	3	3	19.85	19.77	19.81	20.00	0-2
		6	0	19.72	19.84	19.67	20.00	0-2
		1	0	19.84	19.84	19.68	20.00	0-2
		1	2	19.75	19.84	19.76	20.00	0-2
		1	5	19.70	19.69	19.76	20.00	0-2
		3	0	18.68	18.76	18.86	19.00	0-3
	256-QAM	3	2	18.84	18.71	18.73	19.00	0-3
		3	3	18.84	18.69	18.73	19.00	0-3
		6	0	18.84	18.78	18.70	19.00	0-3
		1	0	16.76	16.75	16.68	17.00	0-5
		1	2	16.86	16.81	16.71	17.00	0-5
		1	5	16.82	16.83	16.80	17.00	0-5
	3	0	16.79	16.81	16.73	17.00	0-5	
	3	2	16.73	16.84	16.75	17.00	0-5	
	3	3	16.70	16.67	16.78	17.00	0-5	
	6	0	16.80	16.68	16.80	17.00	0-5	

Unless otherwise stated the results shown in this test report refer only to the sample(s) tested and such sample(s) are retained for 90 days only.

除非另有說明，此報告結果僅對測試之樣品負責，同時此樣品僅保留90天。本報告未經本公司書面許可，不可部份複製。

This document is issued by the Company subject to its General Conditions of Service printed overleaf, available on request or accessible at <http://www.sgs.com.tw/Terms-and-Conditions> and for electronic format documents, subject to Terms and Conditions for Electronic Documents at <http://www.sgs.com.tw/Terms-and-Conditions>. Attention is drawn to the limitation of liability, indemnification and jurisdiction issues defined therein. Any holder of this document is advised that information contained hereon reflects the Company's findings at the time of its intervention only and within the limits of Client's instructions, if any. The Company's sole responsibility is to its Client and this document does not exonerate parties to a transaction from exercising all their rights and obligations under the transaction documents. This document cannot be reproduced except in full, without prior written approval of the Company. Any unauthorized alteration, forgery or falsification of the content or appearance of this document is unlawful and offenders may be prosecuted to the fullest extent of the law.

LTE Band 30									
BW(Mhz)	Modulation	RB Size	RB Offset	Conducted power (dBm)			Target Power + Max. Tolerance (dBm)	MPR Allowed per 3GPP(dB)	
Frequency (MHz)			2310	2310	2310				
Channel			27710	27710	27710				
10	QPSK	1	0	16.28			16.50	0	
		1	25	16.19			16.50	0	
		1	49	16.12			16.50	0	
		25	0	16.15			16.50	0	
		25	12	16.19			16.50	0	
		25	25	16.11			16.50	0	
	16-QAM	50	0	16.24			16.50	0	
		1	0	16.19			16.50	0	
		1	25	16.19			16.50	0	
		1	49	16.23			16.50	0	
		25	0	16.17			16.50	0	
		25	12	16.12			16.50	0	
	64-QAM	25	25	16.21			16.50	0	
		50	0	16.18			16.50	0	
		1	0	16.18			16.50	0	
		1	25	16.24			16.50	0	
		1	49	16.13			16.50	0	
		25	0	16.24			16.50	0	
	256-QAM	25	12	16.20			16.50	0	
		25	25	16.21			16.50	0	
		50	0	16.13			16.50	0	
		1	0	16.27			16.50	0	
		1	25	16.13			16.50	0	
		1	49	16.17			16.50	0	
	Frequency (MHz)			2307.5	2310	2312.5	Target Power + Max. Tolerance (dBm)	MPR Allowed per 3GPP(dB)	
	Channel			27685	27710	27735			
	5	QPSK	1	0	16.28	16.13	16.14	16.50	0
			1	12	16.17	16.17	16.14	16.50	0
			1	24	16.11	16.27	16.21	16.50	0
			12	0	16.19	16.23	16.26	16.50	0
12			6	16.23	16.22	16.11	16.50	0	
12			13	16.23	16.16	16.16	16.50	0	
16-QAM		25	0	16.17	16.22	16.11	16.50	0	
		1	0	16.19	16.29	16.12	16.50	0	
		1	12	16.13	16.19	16.24	16.50	0	
		1	24	16.14	16.13	16.26	16.50	0	
		12	0	16.13	16.24	16.28	16.50	0	
		12	6	16.29	16.21	16.17	16.50	0	
64-QAM		12	13	16.20	16.23	16.27	16.50	0	
		25	0	16.29	16.24	16.17	16.50	0	
		1	0	16.18	16.26	16.26	16.50	0	
		1	12	16.26	16.17	16.23	16.50	0	
		1	24	16.25	16.21	16.11	16.50	0	
		12	0	16.22	16.18	16.23	16.50	0	
256-QAM		12	6	16.30	16.24	16.19	16.50	0	
		12	13	16.20	16.13	16.30	16.50	0	
		25	0	16.27	16.16	16.29	16.50	0	
		1	0	16.21	16.23	16.13	16.50	0	
		1	12	16.25	16.30	16.19	16.50	0	
		1	24	16.30	16.16	16.17	16.50	0	
12		0	16.27	16.17	16.26	16.50	0		
12		6	16.28	16.22	16.15	16.50	0		
12		13	16.17	16.15	16.14	16.50	0		
25		0	16.30	16.28	16.21	16.50	0		

Unless otherwise stated the results shown in this test report refer only to the sample(s) tested and such sample(s) are retained for 90 days only.

除非另有說明，此報告結果僅對測試之樣品負責，同時此樣品僅保留90天。本報告未經本公司書面許可，不可部份複製。

This document is issued by the Company subject to its General Conditions of Service printed overleaf, available on request or accessible at <http://www.sgs.com.tw/Terms-and-Conditions> and for electronic format documents, subject to Terms and Conditions for Electronic Documents at <http://www.sgs.com.tw/Terms-and-Conditions>. Attention is drawn to the limitation of liability, indemnification and jurisdiction issues defined therein. Any holder of this document is advised that information contained hereon reflects the Company's findings at the time of its intervention only and within the limits of Client's instructions, if any. The Company's sole responsibility is to its Client and this document does not exonerate parties to a transaction from exercising all their rights and obligations under the transaction documents. This document cannot be reproduced except in full, without prior written approval of the Company. Any unauthorized alteration, forgery or falsification of the content or appearance of this document is unlawful and offenders may be prosecuted to the fullest extent of the law.

LTE Band 66									
BW(Mhz)	Modulation	RB Size	RB Offset	Conducted power (dBm)			Target Power + Max. Tolerance (dBm)	MPR Allowed per 3GPP(dB)	
Frequency (MHz)			1720	1745	1770				
Channel			132072	132322	132572				
20	QPSK	1	0	16.54	16.44	16.41	16.70	0	
		1	50	16.21	16.25	16.36	16.70	0	
		1	99	16.21	16.34	16.39	16.70	0	
		50	0	16.37	16.38	16.21	16.70	0	
		50	25	16.35	16.30	16.36	16.70	0	
		50	50	16.34	16.37	16.30	16.70	0	
	16-QAM	100	0	16.35	16.39	16.36	16.70	0	
		1	0	16.27	16.25	16.39	16.70	0	
		1	50	16.37	16.37	16.37	16.70	0	
		1	99	16.22	16.32	16.36	16.70	0	
		50	0	16.29	16.36	16.29	16.70	0	
		50	25	16.22	16.37	16.31	16.70	0	
	64-QAM	50	50	16.35	16.21	16.36	16.70	0	
		100	0	16.20	16.29	16.25	16.70	0	
		1	0	16.28	16.38	16.35	16.70	0	
		1	50	16.27	16.21	16.38	16.70	0	
		1	99	16.27	16.36	16.20	16.70	0	
		50	0	16.32	16.21	16.26	16.70	0	
	256-QAM	50	25	16.38	16.25	16.30	16.70	0	
		50	50	16.34	16.29	16.32	16.70	0	
		100	0	16.32	16.30	16.32	16.70	0	
		1	0	16.37	16.24	16.32	16.70	0	
		1	50	16.27	16.21	16.38	16.70	0	
		1	99	16.20	16.22	16.27	16.70	0	
	15	QPSK	50	0	16.38	16.31	16.27	16.70	0
			50	25	16.37	16.24	16.36	16.70	0
			50	50	16.34	16.29	16.33	16.70	0
			100	0	16.34	16.24	16.28	16.70	0
			1	0	16.33	16.34	16.29	16.70	0
			1	36	16.27	16.37	16.35	16.70	0
16-QAM		1	74	16.23	16.29	16.27	16.70	0	
		36	0	16.33	16.32	16.32	16.70	0	
		36	18	16.24	16.31	16.31	16.70	0	
		36	37	16.24	16.37	16.29	16.70	0	
		75	0	16.30	16.36	16.22	16.70	0	
		1	0	16.29	16.24	16.39	16.70	0	
64-QAM		1	36	16.29	16.32	16.39	16.70	0	
		1	74	16.35	16.29	16.37	16.70	0	
		36	0	16.36	16.33	16.32	16.70	0	
		36	18	16.38	16.37	16.28	16.70	0	
		36	37	16.32	16.34	16.29	16.70	0	
		75	0	16.34	16.31	16.33	16.70	0	
256-QAM		1	0	16.23	16.38	16.20	16.70	0	
		1	36	16.28	16.32	16.37	16.70	0	
		1	74	16.28	16.30	16.32	16.70	0	
		36	0	16.24	16.22	16.21	16.70	0	
		36	18	16.24	16.39	16.38	16.70	0	
		36	37	16.35	16.32	16.31	16.70	0	
QPSK		75	0	16.27	16.27	16.25	16.70	0	
		1	0	16.35	16.23	16.20	16.70	0	
		1	36	16.37	16.35	16.37	16.70	0	
		1	74	16.38	16.36	16.29	16.70	0	
		36	0	16.22	16.22	16.36	16.70	0	
		36	18	16.21	16.35	16.38	16.70	0	
16-QAM	36	37	16.32	16.24	16.20	16.70	0		
	75	0	16.24	16.23	16.36	16.70	0		
	1	0	16.33	16.34	16.29	16.70	0		
	1	36	16.27	16.37	16.35	16.70	0		
	1	74	16.23	16.29	16.27	16.70	0		
	36	0	16.33	16.32	16.32	16.70	0		
64-QAM	36	18	16.24	16.31	16.31	16.70	0		
	36	37	16.24	16.37	16.29	16.70	0		
	75	0	16.30	16.36	16.22	16.70	0		
	1	0	16.29	16.24	16.39	16.70	0		
	1	36	16.29	16.24	16.39	16.70	0		
	1	74	16.35	16.29	16.37	16.70	0		
256-QAM	36	0	16.36	16.33	16.32	16.70	0		
	36	18	16.38	16.37	16.28	16.70	0		
	36	37	16.32	16.34	16.29	16.70	0		
	75	0	16.34	16.31	16.33	16.70	0		
	1	0	16.23	16.38	16.20	16.70	0		
	1	36	16.28	16.32	16.37	16.70	0		
QPSK	1	74	16.28	16.30	16.32	16.70	0		
	36	0	16.24	16.22	16.21	16.70	0		
	36	18	16.24	16.39	16.38	16.70	0		
	36	37	16.35	16.32	16.31	16.70	0		
	75	0	16.27	16.27	16.25	16.70	0		
	1	0	16.35	16.23	16.20	16.70	0		
16-QAM	1	36	16.37	16.35	16.37	16.70	0		
	1	74	16.38	16.36	16.29	16.70	0		
	36	0	16.22	16.22	16.36	16.70	0		
	36	18	16.21	16.35	16.38	16.70	0		
	36	37	16.32	16.24	16.20	16.70	0		
	75	0	16.24	16.23	16.36	16.70	0		
64-QAM	1	0	16.33	16.34	16.29	16.70	0		
	1	36	16.27	16.37	16.35	16.70	0		
	1	74	16.23	16.29	16.27	16.70	0		
	36	0	16.33	16.32	16.32	16.70	0		
	36	18	16.24	16.31	16.31	16.70	0		
	36	37	16.24	16.37	16.29	16.70	0		
256-QAM	75	0	16.30	16.36	16.22	16.70	0		
	1	0	16.29	16.24	16.39	16.70	0		
	1	36	16.29	16.32	16.39	16.70	0		
	1	74	16.35	16.29	16.37	16.70	0		
	36	0	16.36	16.33	16.32	16.70	0		
	36	18	16.38	16.37	16.28	16.70	0		
QPSK	36	37	16.32	16.34	16.29	16.70	0		
	75	0	16.34	16.31	16.33	16.70	0		
	1	0	16.23	16.38	16.20	16.70	0		
	1	36	16.28	16.32	16.37	16.70	0		
	1	74	16.28	16.30	16.32	16.70	0		
	36	0	16.24	16.22	16.21	16.70	0		
16-QAM	36	18	16.24	16.39	16.38	16.70	0		
	36	37	16.35	16.32	16.31	16.70	0		
	75	0	16.27	16.27	16.25	16.70	0		
	1	0	16.35	16.23	16.20	16.70	0		
	1	36	16.37	16.35	16.37	16.70	0		
	1	74	16.38	16.36	16.29	16.70	0		
64-QAM	36	0	16.22	16.22	16.36	16.70	0		
	36	18	16.21	16.35	16.38	16.70	0		
	36	37	16.32	16.24	16.20	16.70	0		
	75	0	16.24	16.23	16.36	16.70	0		
	1	0	16.33	16.34	16.29	16.70	0		
	1	36	16.27	16.37	16.35	16.70	0		
256-QAM	1	74	16.23	16.29	16.27	16.70	0		
	36	0	16.33	16.32	16.32	16.70	0		
	36	18	16.24	16.31	16.31	16.70	0		
	36	37	16.24	16.37	16.29	16.70	0		
	75	0	16.30	16.36	16.22	16.70	0		
	1	0	16.29	16.24	16.39	16.70	0		
Frequency (MHz)			1717.5	1745	1772.5	Target Power + Max. Tolerance (dBm)	MPR Allowed per 3GPP(dB)		
Channel			132047	132322	132597				

Unless otherwise stated the results shown in this test report refer only to the sample(s) tested and such sample(s) are retained for 90 days only.

除非另有說明，此報告結果僅對測試之樣品負責，同時此樣品僅保留90天。本報告未經本公司書面許可，不可部份複製。

This document is issued by the Company subject to its General Conditions of Service printed overleaf, available on request or accessible at <http://www.sgs.com.tw/Terms-and-Conditions> and for electronic format documents, subject to Terms and Conditions for Electronic Documents at <http://www.sgs.com.tw/Terms-and-Conditions>. Attention is drawn to the limitation of liability, indemnification and jurisdiction issues defined therein. Any holder of this document is advised that information contained hereon reflects the Company's findings at the time of its intervention only and within the limits of Client's instructions, if any. The Company's sole responsibility is to its Client and this document does not exonerate parties to a transaction from exercising all their rights and obligations under the transaction documents. This document cannot be reproduced except in full, without prior written approval of the Company. Any unauthorized alteration, forgery or falsification of the content or appearance of this document is unlawful and offenders may be prosecuted to the fullest extent of the law.

LTE Band 66									
BW(Mhz)	Modulation	RB Size	RB Offset	Conducted power (dBm)			Target Power + Max. Tolerance (dBm)	MPR Allowed per 3GPP(dB)	
Frequency (MHz)			1715	1745	1775				
Channel			132022	132322	132622				
10	QPSK	1	0	16.31	16.27	16.32	16.70	0	
		1	25	16.39	16.29	16.20	16.70	0	
		1	49	16.32	16.35	16.30	16.70	0	
		25	0	16.21	16.23	16.38	16.70	0	
		25	12	16.24	16.37	16.36	16.70	0	
		25	25	16.23	16.34	16.26	16.70	0	
	16-QAM	50	0	16.24	16.37	16.32	16.70	0	
		1	0	16.23	16.38	16.22	16.70	0	
		1	25	16.35	16.32	16.35	16.70	0	
		1	49	16.24	16.21	16.23	16.70	0	
		25	0	16.35	16.29	16.31	16.70	0	
		25	12	16.36	16.30	16.22	16.70	0	
	64-QAM	25	25	16.20	16.36	16.33	16.70	0	
		50	0	16.25	16.24	16.36	16.70	0	
		1	0	16.23	16.29	16.22	16.70	0	
		1	25	16.35	16.33	16.34	16.70	0	
		1	49	16.23	16.37	16.39	16.70	0	
		25	0	16.28	16.38	16.30	16.70	0	
	256-QAM	25	12	16.38	16.25	16.28	16.70	0	
		25	25	16.27	16.37	16.38	16.70	0	
		50	0	16.33	16.30	16.23	16.70	0	
		1	0	16.25	16.26	16.37	16.70	0	
		1	25	16.21	16.34	16.37	16.70	0	
		1	49	16.24	16.30	16.23	16.70	0	
	Frequency (MHz)			1712.5	1745	1777.5	Target Power + Max. Tolerance (dBm)	MPR Allowed per 3GPP(dB)	
	Channel			131997	132322	132647			
	5	QPSK	1	0	16.27	16.20	16.34	16.70	0
			1	12	16.35	16.27	16.24	16.70	0
			1	24	16.25	16.25	16.20	16.70	0
			12	0	16.35	16.20	16.34	16.70	0
12			6	16.25	16.21	16.39	16.70	0	
12			13	16.39	16.25	16.20	16.70	0	
16-QAM		25	0	16.23	16.26	16.26	16.70	0	
		1	0	16.23	16.31	16.38	16.70	0	
		1	12	16.20	16.26	16.35	16.70	0	
		1	24	16.28	16.35	16.21	16.70	0	
		12	0	16.20	16.39	16.20	16.70	0	
		12	6	16.32	16.20	16.38	16.70	0	
64-QAM		12	13	16.24	16.24	16.21	16.70	0	
		25	0	16.36	16.22	16.24	16.70	0	
		1	0	16.24	16.23	16.36	16.70	0	
		1	12	16.29	16.37	16.28	16.70	0	
		1	24	16.35	16.39	16.22	16.70	0	
		12	0	16.24	16.33	16.38	16.70	0	
256-QAM		12	6	16.32	16.23	16.35	16.70	0	
		12	13	16.31	16.34	16.31	16.70	0	
		25	0	16.23	16.34	16.35	16.70	0	
		1	0	16.26	16.20	16.29	16.70	0	
		1	12	16.21	16.33	16.22	16.70	0	
		1	24	16.32	16.20	16.30	16.70	0	
12		0	16.35	16.37	16.22	16.70	0		
12		6	16.26	16.29	16.34	16.70	0		
12		13	16.34	16.26	16.31	16.70	0		
25		0	16.31	16.22	16.24	16.70	0		

Unless otherwise stated the results shown in this test report refer only to the sample(s) tested and such sample(s) are retained for 90 days only.

除非另有說明，此報告結果僅對測試之樣品負責，同時此樣品僅保留90天。本報告未經本公司書面許可，不可部份複製。

This document is issued by the Company subject to its General Conditions of Service printed overleaf, available on request or accessible at <http://www.sgs.com.tw/Terms-and-Conditions> and for electronic format documents, subject to Terms and Conditions for Electronic Documents at <http://www.sgs.com.tw/Terms-and-Conditions>. Attention is drawn to the limitation of liability, indemnification and jurisdiction issues defined therein. Any holder of this document is advised that information contained hereon reflects the Company's findings at the time of its intervention only and within the limits of Client's instructions, if any. The Company's sole responsibility is to its Client and this document does not exonerate parties to a transaction from exercising all their rights and obligations under the transaction documents. This document cannot be reproduced except in full, without prior written approval of the Company. Any unauthorized alteration, forgery or falsification of the content or appearance of this document is unlawful and offenders may be prosecuted to the fullest extent of the law.

LTE Band 66								
BW(Mhz)	Modulation	RB Size	RB Offset	Conducted power (dBm)			Target Power + Max. Tolerance (dBm)	MPR Allowed per 3GPP(dB)
Frequency (MHz)			1711.5	1745	1778.5			
Channel			131987	132322	132657			
3	QPSK	1	0	16.20	16.39	16.27	16.70	0
		1	7	16.38	16.35	16.35	16.70	0
		1	14	16.35	16.28	16.37	16.70	0
		8	0	16.38	16.32	16.39	16.70	0
		8	4	16.23	16.27	16.27	16.70	0
		8	7	16.21	16.23	16.30	16.70	0
	16-QAM	15	0	16.38	16.26	16.31	16.70	0
		1	0	16.37	16.29	16.38	16.70	0
		1	7	16.33	16.20	16.33	16.70	0
		1	14	16.39	16.38	16.39	16.70	0
		8	0	16.32	16.37	16.27	16.70	0
		8	4	16.26	16.37	16.38	16.70	0
	64-QAM	8	7	16.38	16.22	16.26	16.70	0
		15	0	16.24	16.33	16.38	16.70	0
		1	0	16.28	16.38	16.30	16.70	0
		1	7	16.35	16.27	16.30	16.70	0
		1	14	16.31	16.34	16.35	16.70	0
		8	0	16.39	16.23	16.30	16.70	0
	256-QAM	8	4	16.37	16.26	16.28	16.70	0
		8	7	16.33	16.31	16.34	16.70	0
		15	0	16.37	16.33	16.21	16.70	0
		1	0	16.26	16.20	16.33	16.70	0
		1	7	16.36	16.28	16.28	16.70	0
		1	14	16.36	16.27	16.21	16.70	0
Frequency (MHz)			1710.7	1745	1779.3	Target Power + Max. Tolerance (dBm)	MPR Allowed per 3GPP(dB)	
Channel			131979	132322	132665			
1.4	QPSK	1	0	16.23	16.29	16.37	16.70	0
		1	2	16.22	16.39	16.22	16.70	0
		1	5	16.22	16.24	16.26	16.70	0
		3	0	16.20	16.27	16.34	16.70	0
		3	2	16.24	16.23	16.20	16.70	0
		3	3	16.20	16.28	16.34	16.70	0
	16-QAM	6	0	16.32	16.30	16.21	16.70	0
		1	0	16.28	16.22	16.26	16.70	0
		1	2	16.31	16.39	16.36	16.70	0
		1	5	16.30	16.23	16.20	16.70	0
		3	0	16.27	16.39	16.33	16.70	0
		3	2	16.38	16.31	16.37	16.70	0
	64-QAM	3	3	16.37	16.22	16.37	16.70	0
		6	0	16.21	16.34	16.29	16.70	0
		1	0	16.20	16.32	16.21	16.70	0
		1	2	16.37	16.39	16.25	16.70	0
		1	5	16.24	16.33	16.25	16.70	0
		3	0	16.24	16.27	16.30	16.70	0
	256-QAM	3	2	16.39	16.32	16.24	16.70	0
		3	3	16.22	16.38	16.37	16.70	0
		6	0	16.20	16.25	16.32	16.70	0
		1	0	16.29	16.29	16.23	16.70	0
		1	2	16.36	16.20	16.29	16.70	0
		1	5	16.27	16.37	16.20	16.70	0

Unless otherwise stated the results shown in this test report refer only to the sample(s) tested and such sample(s) are retained for 90 days only.

除非另有說明，此報告結果僅對測試之樣品負責，同時此樣品僅保留90天。本報告未經本公司書面許可，不可部份複製。

This document is issued by the Company subject to its General Conditions of Service printed overleaf, available on request or accessible at <http://www.sgs.com.tw/Terms-and-Conditions> and for electronic format documents, subject to Terms and Conditions for Electronic Documents at <http://www.sgs.com.tw/Terms-and-Conditions>. Attention is drawn to the limitation of liability, indemnification and jurisdiction issues defined therein. Any holder of this document is advised that information contained hereon reflects the Company's findings at the time of its intervention only and within the limits of Client's instructions, if any. The Company's sole responsibility is to its Client and this document does not exonerate parties to a transaction from exercising all their rights and obligations under the transaction documents. This document cannot be reproduced except in full, without prior written approval of the Company. Any unauthorized alteration, forgery or falsification of the content or appearance of this document is unlawful and offenders may be prosecuted to the fullest extent of the law.

Tablet mode

Tx5-LTE TDD Band 38 / Band 41 power table:

LTE Band 38									
BW(Mhz)	Modulation	RB Size	RB Offset	Conducted power (dBm)			Target Power + Max. Tolerance (dBm)	MPR Allowed per 3GPP(dB)	
Frequency (MHz)				2580	2595	2610			
Channel				37850	38000	38150			
20	QPSK	1	0	16.58	16.60	16.55	16.70	0	
		1	50	16.42	16.52	16.42	16.70	0	
		1	99	16.42	16.44	16.48	16.70	0	
		50	0	16.52	16.39	16.46	16.70	0	
		50	25	16.49	16.47	16.42	16.70	0	
		50	50	16.47	16.43	16.54	16.70	0	
	16-QAM	100	0	16.35	16.51	16.47	16.70	0	
		1	0	16.48	16.42	16.37	16.70	0	
		1	50	16.42	16.53	16.50	16.70	0	
		1	99	16.43	16.39	16.49	16.70	0	
		50	0	16.37	16.36	16.53	16.70	0	
		50	25	16.39	16.43	16.39	16.70	0	
	64-QAM	50	50	16.38	16.40	16.45	16.70	0	
		100	0	16.53	16.37	16.41	16.70	0	
		1	0	16.53	16.37	16.49	16.70	0	
		1	50	16.54	16.41	16.49	16.70	0	
		1	99	16.37	16.50	16.46	16.70	0	
		50	0	16.52	16.36	16.38	16.70	0	
	256-QAM	50	25	16.38	16.37	16.40	16.70	0	
		50	50	16.43	16.40	16.41	16.70	0	
		100	0	16.47	16.47	16.35	16.70	0	
		1	0	16.44	16.47	16.46	16.70	0	
		1	50	16.36	16.36	16.49	16.70	0	
		1	99	16.48	16.36	16.37	16.70	0	
	Frequency (MHz)				2577.5	2595	2612.5	Target Power + Max. Tolerance (dBm)	MPR Allowed per 3GPP(dB)
	Channel				37825	38000	38175		
	15	QPSK	1	0	16.38	16.50	16.42	16.70	0
			1	36	16.38	16.38	16.43	16.70	0
			1	74	16.39	16.41	16.42	16.70	0
			36	0	16.51	16.49	16.36	16.70	0
36			18	16.48	16.36	16.54	16.70	0	
36			37	16.42	16.36	16.47	16.70	0	
16-QAM		75	0	16.38	16.48	16.35	16.70	0	
		1	0	16.43	16.45	16.52	16.70	0	
		1	36	16.44	16.36	16.49	16.70	0	
		1	74	16.51	16.37	16.52	16.70	0	
		36	0	16.54	16.36	16.50	16.70	0	
		36	18	16.36	16.40	16.44	16.70	0	
64-QAM		36	37	16.51	16.52	16.36	16.70	0	
		75	0	16.48	16.42	16.49	16.70	0	
		1	0	16.50	16.54	16.38	16.70	0	
		1	36	16.53	16.37	16.41	16.70	0	
		1	74	16.44	16.46	16.54	16.70	0	
		36	0	16.53	16.45	16.44	16.70	0	
256-QAM		36	18	16.45	16.48	16.43	16.70	0	
		36	37	16.43	16.36	16.40	16.70	0	
		75	0	16.48	16.41	16.52	16.70	0	
		1	0	16.36	16.43	16.42	16.70	0	
		1	36	16.40	16.51	16.44	16.70	0	
		1	74	16.48	16.40	16.44	16.70	0	
Frequency (MHz)				2577.5	2595	2612.5	Target Power + Max. Tolerance (dBm)	MPR Allowed per 3GPP(dB)	
Channel				37825	38000	38175			
15		QPSK	36	0	16.52	16.39	16.46	16.70	0
			36	25	16.49	16.47	16.42	16.70	0
			36	50	16.47	16.43	16.54	16.70	0
			100	0	16.35	16.51	16.47	16.70	0
	1		0	16.48	16.42	16.37	16.70	0	
	16-QAM	1	50	16.42	16.53	16.50	16.70	0	
		1	99	16.43	16.39	16.49	16.70	0	
		50	0	16.37	16.36	16.53	16.70	0	
		50	25	16.39	16.43	16.39	16.70	0	
		50	50	16.38	16.40	16.45	16.70	0	
	64-QAM	100	0	16.53	16.37	16.41	16.70	0	
		1	0	16.53	16.37	16.49	16.70	0	
		1	50	16.54	16.41	16.49	16.70	0	
		1	99	16.37	16.50	16.46	16.70	0	
		50	0	16.52	16.36	16.38	16.70	0	
256-QAM	50	25	16.38	16.37	16.40	16.70	0		
	50	50	16.43	16.40	16.41	16.70	0		
	100	0	16.47	16.47	16.35	16.70	0		
	1	0	16.44	16.47	16.46	16.70	0		
	1	50	16.36	16.36	16.49	16.70	0		

Unless otherwise stated the results shown in this test report refer only to the sample(s) tested and such sample(s) are retained for 90 days only.

除非另有說明，此報告結果僅對測試之樣品負責，同時此樣品僅保留90天。本報告未經本公司書面許可，不可部份複製。

This document is issued by the Company subject to its General Conditions of Service printed overleaf, available on request or accessible at <http://www.sgs.com.tw/Terms-and-Conditions> and for electronic format documents, subject to Terms and Conditions for Electronic Documents at <http://www.sgs.com.tw/Terms-and-Conditions>. Attention is drawn to the limitation of liability, indemnification and jurisdiction issues defined therein. Any holder of this document is advised that information contained hereon reflects the Company's findings at the time of its intervention only and within the limits of Client's instructions, if any. The Company's sole responsibility is to its Client and this document does not exonerate parties to a transaction from exercising all their rights and obligations under the transaction documents. This document cannot be reproduced except in full, without prior written approval of the Company. Any unauthorized alteration, forgery or falsification of the content or appearance of this document is unlawful and offenders may be prosecuted to the fullest extent of the law.

LTE Band 38									
BW(Mhz)	Modulation	RB Size	RB Offset	Conducted power (dBm)			Target Power + Max. Tolerance (dBm)	MPR Allowed per 3GPP(dB)	
Frequency (MHz)			2575	2595	2615				
Channel			37800	38000	38200				
10	QPSK	1	0	16.43	16.39	16.50	16.70	0	
		1	25	16.48	16.38	16.43	16.70	0	
		1	49	16.42	16.45	16.43	16.70	0	
		25	0	16.45	16.46	16.35	16.70	0	
		25	12	16.38	16.47	16.40	16.70	0	
		25	25	16.38	16.52	16.51	16.70	0	
	16-QAM	50	0	16.49	16.39	16.40	16.70	0	
		1	0	16.41	16.49	16.45	16.70	0	
		1	25	16.44	16.38	16.54	16.70	0	
		1	49	16.52	16.47	16.45	16.70	0	
		25	0	16.44	16.52	16.38	16.70	0	
		25	12	16.51	16.48	16.41	16.70	0	
	64-QAM	25	25	16.52	16.43	16.45	16.70	0	
		50	0	16.38	16.50	16.41	16.70	0	
		1	0	16.45	16.39	16.46	16.70	0	
		1	25	16.38	16.51	16.41	16.70	0	
		1	49	16.37	16.42	16.46	16.70	0	
		25	0	16.51	16.37	16.49	16.70	0	
	256-QAM	25	12	16.44	16.46	16.53	16.70	0	
		25	25	16.44	16.52	16.43	16.70	0	
		50	0	16.52	16.38	16.48	16.70	0	
		1	0	16.53	16.38	16.36	16.70	0	
		1	25	16.35	16.53	16.44	16.70	0	
		1	49	16.52	16.42	16.51	16.70	0	
	Frequency (MHz)			2572.5	2595	2617.5	Target Power + Max. Tolerance (dBm)	MPR Allowed per 3GPP(dB)	
	Channel			37775	38000	38225			
	5	QPSK	1	0	16.37	16.42	16.36	16.70	0
			1	12	16.44	16.47	16.41	16.70	0
			1	24	16.48	16.52	16.50	16.70	0
			12	0	16.38	16.51	16.36	16.70	0
12			6	16.48	16.52	16.52	16.70	0	
12			13	16.41	16.46	16.49	16.70	0	
16-QAM		25	0	16.41	16.53	16.36	16.70	0	
		1	0	16.46	16.43	16.53	16.70	0	
		1	12	16.42	16.51	16.38	16.70	0	
		1	24	16.36	16.44	16.51	16.70	0	
		12	0	16.52	16.38	16.40	16.70	0	
		12	6	16.53	16.53	16.44	16.70	0	
64-QAM		12	13	16.36	16.35	16.51	16.70	0	
		25	0	16.48	16.54	16.51	16.70	0	
		1	0	16.39	16.50	16.35	16.70	0	
		1	12	16.49	16.50	16.37	16.70	0	
		1	24	16.46	16.42	16.38	16.70	0	
		12	0	16.48	16.43	16.35	16.70	0	
256-QAM		12	6	16.35	16.51	16.38	16.70	0	
		12	13	16.38	16.46	16.42	16.70	0	
		25	0	16.45	16.36	16.38	16.70	0	
		1	0	16.43	16.42	16.46	16.70	0	
		1	12	16.45	16.38	16.45	16.70	0	
		1	24	16.53	16.42	16.40	16.70	0	
12		0	16.53	16.51	16.52	16.70	0		
12		6	16.39	16.38	16.47	16.70	0		
12		13	16.49	16.35	16.50	16.70	0		
25		0	16.42	16.51	16.53	16.70	0		

Unless otherwise stated the results shown in this test report refer only to the sample(s) tested and such sample(s) are retained for 90 days only.

除非另有說明，此報告結果僅對測試之樣品負責，同時此樣品僅保留90天。本報告未經本公司書面許可，不可部份複製。

This document is issued by the Company subject to its General Conditions of Service printed overleaf, available on request or accessible at <http://www.sgs.com.tw/Terms-and-Conditions> and for electronic format documents, subject to Terms and Conditions for Electronic Documents at <http://www.sgs.com.tw/Terms-and-Conditions>. Attention is drawn to the limitation of liability, indemnification and jurisdiction issues defined therein. Any holder of this document is advised that information contained hereon reflects the Company's findings at the time of its intervention only and within the limits of Client's instructions, if any. The Company's sole responsibility is to its Client and this document does not exonerate parties to a transaction from exercising all their rights and obligations under the transaction documents. This document cannot be reproduced except in full, without prior written approval of the Company. Any unauthorized alteration, forgery or falsification of the content or appearance of this document is unlawful and offenders may be prosecuted to the fullest extent of the law.

LTE Band 41												
BW(Mhz)	Modulation	RB Size	RB Offset	Conducted power (dBm)					Target Power + Max. Tolerance (dBm)	MPR Allowed per 3GPP(dB)		
Frequency (MHz)				2506	2549.5	2593	2636.5	2680				
Channel				39750	40185	40620	41055	41490				
20	QPSK	1	0	17.11	17.16	17.21	17.20	17.19	17.30	0		
		1	50	17.00	17.08	17.06	16.94	16.90	17.30	0		
		1	99	17.09	17.07	17.05	16.96	16.95	17.30	0		
		50	0	17.06	16.91	17.06	17.07	16.95	17.30	0		
		50	25	17.02	16.95	17.09	17.01	16.91	17.30	0		
		50	50	16.97	16.93	16.95	16.95	16.92	17.30	0		
		100	0	16.98	16.90	17.05	16.97	16.98	17.30	0		
		1	0	16.93	17.02	16.93	16.94	16.91	17.30	0		
		1	50	16.96	16.95	16.94	17.03	17.07	17.30	0		
		1	99	16.91	16.94	16.90	17.03	17.02	17.30	0		
	16-QAM	50	0	17.05	17.04	16.90	17.02	16.99	17.30	0		
		50	25	16.91	16.90	16.92	17.06	17.05	17.30	0		
		50	50	16.91	17.07	16.99	17.05	17.01	17.30	0		
		100	0	16.97	16.95	17.00	16.98	17.09	17.30	0		
		1	0	16.90	17.01	16.97	17.02	16.93	17.30	0		
		1	50	17.07	17.06	16.93	16.98	16.94	17.30	0		
		1	99	17.01	16.92	16.92	16.99	16.94	17.30	0		
		50	0	16.93	16.99	16.92	16.99	17.01	17.30	0		
		50	25	17.06	17.01	16.96	17.03	17.00	17.30	0		
		50	50	17.03	16.96	16.92	16.93	17.05	17.30	0		
	64-QAM	100	0	17.00	16.96	17.00	17.03	17.02	17.30	0		
		1	0	16.92	17.03	17.08	17.05	17.00	17.30	0		
		1	50	16.91	16.98	16.90	16.90	16.96	17.30	0		
		1	99	17.00	16.94	16.95	16.92	16.92	17.30	0		
		50	0	17.08	17.08	17.08	17.01	17.06	17.30	0		
		50	25	17.04	17.03	17.00	17.08	17.05	17.30	0		
		50	50	16.90	16.91	17.06	17.06	16.97	17.30	0		
		100	0	17.00	16.96	17.01	17.04	16.99	17.30	0		
		Frequency (MHz)				2503.5	2548.3	2593	2637.8	2682.5	Target Power + Max. Tolerance (dBm)	MPR Allowed per 3GPP(dB)
		Channel				39725	40173	40620	41068	41515		
	15	QPSK	1	0	17.03	16.90	17.05	16.94	16.99	17.30	0	
			1	36	17.04	16.98	17.08	17.07	16.95	17.30	0	
			1	74	16.95	16.97	16.96	17.01	17.05	17.30	0	
			36	0	16.90	17.01	16.94	16.99	17.04	17.30	0	
			36	18	16.92	16.92	17.09	17.04	17.02	17.30	0	
			36	37	17.02	17.04	17.00	16.93	16.97	17.30	0	
75			0	17.01	16.95	17.01	17.09	17.03	17.30	0		
1			0	17.08	16.95	17.03	17.06	17.08	17.30	0		
1			36	16.94	17.00	16.98	16.94	16.97	17.30	0		
1			74	16.96	17.05	17.03	16.99	17.02	17.30	0		
16-QAM		36	0	16.98	16.98	16.90	16.96	16.98	17.30	0		
		36	18	16.92	17.03	16.97	17.09	16.92	17.30	0		
		36	37	16.92	16.91	17.04	17.05	16.96	17.30	0		
		75	0	17.03	17.06	16.94	16.98	17.07	17.30	0		
		1	0	17.02	17.02	16.99	17.07	16.90	17.30	0		
		1	36	17.07	16.91	17.04	16.93	16.97	17.30	0		
		1	74	16.96	17.08	16.99	17.04	17.04	17.30	0		
		36	0	17.03	16.96	16.91	17.07	17.03	17.30	0		
		36	18	17.07	16.95	17.01	17.08	17.01	17.30	0		
		36	37	17.00	17.06	16.99	16.96	16.91	17.30	0		
64-QAM		75	0	17.02	17.09	17.01	17.01	17.09	17.30	0		
		1	0	17.02	16.94	17.08	17.04	17.09	17.30	0		
		1	36	17.06	17.04	16.95	17.05	17.04	17.30	0		
		1	74	16.98	16.99	16.96	17.09	16.98	17.30	0		
		36	0	17.03	17.09	16.95	17.09	16.94	17.30	0		
		36	18	16.93	16.95	16.90	17.01	17.07	17.30	0		
		36	37	16.90	17.05	17.04	16.90	17.09	17.30	0		
		75	0	16.93	16.91	17.03	16.90	17.05	17.30	0		
		Frequency (MHz)				2503.5	2548.3	2593	2637.8	2682.5	Target Power + Max. Tolerance (dBm)	MPR Allowed per 3GPP(dB)
		Channel				39725	40173	40620	41068	41515		

Unless otherwise stated the results shown in this test report refer only to the sample(s) tested and such sample(s) are retained for 90 days only.

除非另有說明，此報告結果僅對測試之樣品負責，同時此樣品僅保留90天。本報告未經本公司書面許可，不可部份複製。

This document is issued by the Company subject to its General Conditions of Service printed overleaf, available on request or accessible at <http://www.sgs.com.tw/Terms-and-Conditions> and for electronic format documents, subject to Terms and Conditions for Electronic Documents at <http://www.sgs.com.tw/Terms-and-Conditions>. Attention is drawn to the limitation of liability, indemnification and jurisdiction issues defined therein. Any holder of this document is advised that information contained hereon reflects the Company's findings at the time of its intervention only and within the limits of Client's instructions, if any. The Company's sole responsibility is to its Client and this document does not exonerate parties to a transaction from exercising all their rights and obligations under the transaction documents. This document cannot be reproduced except in full, without prior written approval of the Company. Any unauthorized alteration, forgery or falsification of the content or appearance of this document is unlawful and offenders may be prosecuted to the fullest extent of the law.

LTE Band 41											
BW(Mhz)	Modulation	RB Size	RB Offset	Conducted power (dBm)					Target Power + Max. Tolerance (dBm)	MPR Allowed per 3GPP(dB)	
Frequency (MHz)				2501	2547	2593	2639	2685			
Channel				39700	40160	40620	41080	41540			
10	QPSK	1	0	16.90	17.05	17.06	16.98	16.98	17.30	0	
		1	25	16.97	16.96	16.95	17.08	17.02	17.30	0	
		1	49	17.02	17.00	17.02	17.08	17.08	17.30	0	
		25	0	16.99	16.93	16.95	16.96	16.97	17.30	0	
		25	12	17.08	17.01	17.06	17.09	17.01	17.30	0	
	16-QAM	25	25	16.98	17.04	17.03	16.96	16.94	17.30	0	
		50	0	17.00	17.01	17.04	17.00	16.95	17.30	0	
		1	0	17.06	16.98	16.97	16.99	16.92	17.30	0	
		1	25	16.90	16.97	17.08	17.09	17.02	17.30	0	
		1	49	17.03	16.91	16.95	16.94	17.04	17.30	0	
	64-QAM	25	0	17.06	16.95	16.91	17.09	17.04	17.30	0	
		25	12	16.97	17.09	17.09	17.05	16.93	17.30	0	
		25	25	16.97	17.03	17.04	16.93	16.98	17.30	0	
		50	0	17.00	16.99	16.92	17.08	17.03	17.30	0	
		1	0	16.93	16.98	16.97	16.97	16.92	17.30	0	
	256-QAM	1	25	17.00	16.98	16.90	16.91	16.92	17.30	0	
		1	49	17.08	16.92	17.04	16.99	16.96	17.30	0	
		25	0	16.97	16.92	16.93	17.06	17.07	17.30	0	
		25	12	16.94	17.00	16.97	17.03	17.02	17.30	0	
		25	25	16.95	17.02	16.95	17.02	17.06	17.30	0	
	5	QPSK	50	0	17.07	16.95	17.05	16.94	16.98	17.30	0
			1	0	17.08	17.00	17.03	16.91	16.97	17.30	0
			1	25	16.95	17.03	17.00	16.91	16.96	17.30	0
			1	49	16.99	16.90	16.92	17.06	16.96	17.30	0
			25	0	17.06	16.97	17.05	16.91	17.04	17.30	0
16-QAM		25	12	17.06	16.93	17.02	16.92	16.93	17.30	0	
		25	25	16.98	16.94	16.93	16.96	16.97	17.30	0	
		50	0	17.00	17.09	17.05	17.09	16.90	17.30	0	
		25	0	16.91	17.00	17.04	16.95	16.95	17.30	0	
		1	0	16.97	16.98	16.94	17.04	17.02	17.30	0	
64-QAM		1	12	17.06	16.94	16.93	17.01	17.02	17.30	0	
		1	24	17.01	17.04	17.04	16.99	16.95	17.30	0	
		12	0	16.94	17.03	16.97	17.03	17.02	17.30	0	
		12	6	16.96	16.92	17.03	17.04	16.94	17.30	0	
		12	13	16.97	17.05	16.95	17.00	16.91	17.30	0	
256-QAM		25	0	17.03	16.98	17.05	17.02	16.98	17.30	0	
		1	0	16.95	17.01	17.09	16.98	16.96	17.30	0	
		1	12	17.08	17.06	16.96	17.08	16.97	17.30	0	
		1	24	16.93	17.06	16.96	16.99	16.91	17.30	0	
		12	0	16.91	17.08	17.06	17.04	16.94	17.30	0	
Frequency (MHz)				2498.5	2547.8	2593	2640.3	2687.5	Target Power + Max. Tolerance (dBm)	MPR Allowed per 3GPP(dB)	
Channel				39675	40148	40620	41093	41565			

Unless otherwise stated the results shown in this test report refer only to the sample(s) tested and such sample(s) are retained for 90 days only.

除非另有說明，此報告結果僅對測試之樣品負責，同時此樣品僅保留90天。本報告未經本公司書面許可，不可部份複製。

This document is issued by the Company subject to its General Conditions of Service printed overleaf, available on request or accessible at <http://www.sgs.com.tw/Terms-and-Conditions> and for electronic format documents, subject to Terms and Conditions for Electronic Documents at <http://www.sgs.com.tw/Terms-and-Conditions>. Attention is drawn to the limitation of liability, indemnification and jurisdiction issues defined therein. Any holder of this document is advised that information contained hereon reflects the Company's findings at the time of its intervention only and within the limits of Client's instructions, if any. The Company's sole responsibility is to its Client and this document does not exonerate parties to a transaction from exercising all their rights and obligations under the transaction documents. This document cannot be reproduced except in full, without prior written approval of the Company. Any unauthorized alteration, forgery or falsification of the content or appearance of this document is unlawful and offenders may be prosecuted to the fullest extent of the law.

LTE Band 41 (HPUE)												
BW(MHz)	Modulation	RB Size	RB Offset	Conducted power (dBm)					Target Power + Max. Tolerance (dBm)	MPR Allowed per 3GPP(dB)		
Frequency (MHz)				2506	2549.5	2593	2636.5	2680				
Channel				39750	40185	40620	41055	41490				
20	QPSK	1	0	19.23	19.24	19.29	19.30	19.28	19.40	0		
		1	50	19.17	19.15	19.16	19.05	19.11	19.40	0		
		1	99	19.17	19.17	19.07	19.07	19.15	19.40	0		
		50	0	19.06	19.11	19.07	19.10	19.13	19.40	0		
		50	25	19.13	19.10	19.19	19.07	19.07	19.40	0		
		50	50	19.15	19.14	19.06	19.22	19.04	19.40	0		
		100	0	19.16	19.05	19.04	19.19	19.07	19.40	0		
		1	0	19.12	19.22	19.03	19.07	19.08	19.40	0		
		1	50	19.19	19.22	19.03	19.21	19.15	19.40	0		
		1	99	19.04	19.19	19.11	19.03	19.19	19.40	0		
	16-QAM	50	0	19.09	19.11	19.03	19.16	19.14	19.40	0		
		50	25	19.08	19.17	19.03	19.03	19.11	19.40	0		
		50	50	19.14	19.19	19.22	19.13	19.13	19.40	0		
		100	0	19.13	19.11	19.05	19.22	19.13	19.40	0		
		1	0	19.13	19.19	19.10	19.16	19.05	19.40	0		
		1	50	19.08	19.15	19.10	19.07	19.18	19.40	0		
		1	99	19.18	19.11	19.04	19.21	19.12	19.40	0		
		50	0	19.22	19.09	19.13	19.09	19.08	19.40	0		
		50	25	19.12	19.19	19.21	19.10	19.14	19.40	0		
		50	50	19.07	19.15	19.14	19.14	19.15	19.40	0		
	64-QAM	100	0	19.05	19.13	19.04	19.13	19.18	19.40	0		
		1	0	19.18	19.16	19.08	19.06	19.09	19.40	0		
		1	50	19.07	19.10	19.22	19.08	19.18	19.40	0		
		1	99	19.17	19.03	19.06	19.19	19.06	19.40	0		
		50	0	19.12	19.03	19.06	19.08	19.09	19.40	0		
		50	25	19.04	19.03	19.14	19.05	19.07	19.40	0		
		50	50	19.16	19.13	19.16	19.16	19.13	19.40	0		
		100	0	19.05	19.10	19.22	19.15	19.15	19.40	0		
		Frequency (MHz)				2503.5	2548.3	2593	2637.8	2682.5	Target Power + Max. Tolerance (dBm)	MPR Allowed per 3GPP(dB)
		Channel				39725	40173	40620	41068	41515		
	15	QPSK	1	0	19.18	19.11	19.19	19.15	19.16	19.40	0	
			1	36	19.20	19.16	19.18	19.15	19.15	19.40	0	
			1	74	19.05	19.09	19.12	19.12	19.09	19.40	0	
			36	0	19.16	19.13	19.04	19.19	19.03	19.40	0	
			36	18	19.17	19.05	19.07	19.06	19.01	19.40	0	
			36	37	19.14	19.09	19.19	19.07	19.09	19.40	0	
			75	0	19.16	19.17	19.06	19.02	19.06	19.40	0	
			1	0	19.12	19.19	19.17	19.13	19.00	19.40	0	
			1	36	19.11	19.06	19.13	19.00	19.02	19.40	0	
			1	74	19.01	19.09	19.07	19.14	19.10	19.40	0	
16-QAM		36	0	19.00	19.07	19.18	19.18	19.19	19.40	0		
		36	18	19.17	19.16	19.17	19.16	19.08	19.40	0		
		36	37	19.07	19.16	19.08	19.04	19.08	19.40	0		
		75	0	19.10	19.17	19.15	19.10	19.15	19.40	0		
		1	0	19.12	19.01	19.10	19.00	19.04	19.40	0		
		1	36	19.19	19.08	19.18	19.02	19.02	19.40	0		
		1	74	19.19	19.01	19.13	19.11	19.05	19.40	0		
		36	0	19.10	19.11	19.06	19.07	19.11	19.40	0		
		36	18	19.13	19.03	19.18	19.06	19.17	19.40	0		
		36	37	19.05	19.06	19.16	19.13	19.08	19.40	0		
64-QAM		75	0	19.00	19.09	19.19	19.01	19.02	19.40	0		
		1	0	19.05	19.12	19.05	19.04	19.09	19.40	0		
		1	36	19.11	19.18	19.10	19.18	19.16	19.40	0		
		1	74	19.08	19.02	19.10	19.02	19.17	19.40	0		
		36	0	19.02	19.00	19.06	19.10	19.11	19.40	0		
		36	18	19.03	19.10	19.18	19.12	19.19	19.40	0		
		36	37	19.13	19.06	19.07	19.19	19.17	19.40	0		
		75	0	19.06	19.05	19.15	19.16	19.12	19.40	0		
		Frequency (MHz)				2503.5	2548.3	2593	2637.8	2682.5	Target Power + Max. Tolerance (dBm)	MPR Allowed per 3GPP(dB)
		Channel				39725	40173	40620	41068	41515		

Unless otherwise stated the results shown in this test report refer only to the sample(s) tested and such sample(s) are retained for 90 days only.

除非另有說明，此報告結果僅對測試之樣品負責，同時此樣品僅保留90天。本報告未經本公司書面許可，不可部份複製。

This document is issued by the Company subject to its General Conditions of Service printed overleaf, available on request or accessible at <http://www.sgs.com.tw/Terms-and-Conditions> and for electronic format documents, subject to Terms and Conditions for Electronic Documents at <http://www.sgs.com.tw/Terms-and-Conditions>. Attention is drawn to the limitation of liability, indemnification and jurisdiction issues defined therein. Any holder of this document is advised that information contained hereon reflects the Company's findings at the time of its intervention only and within the limits of Client's instructions, if any. The Company's sole responsibility is to its Client and this document does not exonerate parties to a transaction from exercising all their rights and obligations under the transaction documents. This document cannot be reproduced except in full, without prior written approval of the Company. Any unauthorized alteration, forgery or falsification of the content or appearance of this document is unlawful and offenders may be prosecuted to the fullest extent of the law.

LTE Band 41 (HPUE)												
BW(Mhz)	Modulation	RB Size	RB Offset	Conducted power (dBm)					Target Power + Max. Tolerance (dBm)	MPR Allowed per 3GPP(dB)		
Frequency (MHz)				2501	2547	2593	2639	2685				
Channel				39700	40160	40620	41080	41540				
10	QPSK	1	0	19.10	19.21	19.05	19.21	19.05	19.40	0		
		1	25	19.03	19.21	19.12	19.16	19.20	19.40	0		
		1	49	19.11	19.10	19.05	19.22	19.18	19.40	0		
		25	0	19.08	19.14	19.10	19.13	19.16	19.40	0		
		25	12	19.09	19.15	19.06	19.16	19.18	19.40	0		
		25	25	19.14	19.14	19.04	19.18	19.11	19.40	0		
		50	0	19.17	19.11	19.11	19.00	19.04	19.40	0		
		1	0	19.09	19.08	19.05	19.14	19.02	19.40	0		
		1	25	19.05	19.14	19.09	19.11	19.18	19.40	0		
		1	49	19.01	19.14	19.15	19.01	19.13	19.40	0		
	16-QAM	25	0	19.12	19.15	19.18	19.08	19.15	19.40	0		
		25	12	19.01	19.01	19.01	19.07	19.01	19.40	0		
		25	25	19.18	19.15	19.05	19.04	19.00	19.40	0		
		50	0	19.17	19.06	19.12	19.14	19.02	19.40	0		
		1	0	19.04	19.10	19.18	19.11	19.00	19.40	0		
		1	25	19.16	19.16	19.05	19.05	19.16	19.40	0		
		1	49	19.05	19.07	19.18	19.00	19.10	19.40	0		
		25	0	19.16	19.11	19.18	19.03	19.06	19.40	0		
		25	12	19.10	19.07	19.11	19.01	19.04	19.40	0		
		25	25	19.14	19.06	19.07	19.11	19.16	19.40	0		
	64-QAM	50	0	19.15	19.00	19.08	19.18	19.13	19.40	0		
		1	0	19.01	19.16	19.08	19.17	19.05	19.40	0		
		1	25	19.05	19.17	19.12	19.02	19.16	19.40	0		
		1	49	19.00	19.04	19.03	19.00	19.01	19.40	0		
		25	0	19.05	19.11	19.07	19.10	19.04	19.40	0		
		25	12	19.09	19.16	19.07	19.10	19.15	19.40	0		
		25	25	19.08	19.03	19.13	19.06	19.12	19.40	0		
		50	0	19.11	19.02	19.04	19.15	19.04	19.40	0		
		Frequency (MHz)				2498.5	2547.8	2593	2640.3	2687.5	Target Power + Max. Tolerance (dBm)	MPR Allowed per 3GPP(dB)
		Channel				39675	40148	40620	41093	41565		
5	QPSK	1	0	19.17	19.16	19.07	19.19	19.17	19.40	0		
		1	12	19.18	19.13	19.21	19.21	19.21	19.40	0		
		1	24	19.16	19.09	19.21	19.17	19.05	19.40	0		
		12	0	19.17	19.19	19.05	19.10	19.08	19.40	0		
		12	6	19.06	19.02	19.01	19.02	19.05	19.40	0		
		12	13	19.06	19.04	19.05	19.04	19.10	19.40	0		
		25	0	19.14	19.15	19.19	19.14	19.01	19.40	0		
		1	0	19.14	19.11	19.16	19.07	19.09	19.40	0		
		1	12	19.19	19.13	19.02	19.07	19.05	19.40	0		
		1	24	19.01	19.15	19.07	19.01	19.07	19.40	0		
	16-QAM	12	0	19.04	19.15	19.13	19.09	19.17	19.40	0		
		12	6	19.15	19.19	19.03	19.11	19.09	19.40	0		
		12	13	19.03	19.02	19.08	19.10	19.18	19.40	0		
		25	0	19.08	19.04	19.08	19.18	19.16	19.40	0		
		1	0	19.14	19.11	19.09	19.17	19.13	19.40	0		
		1	12	19.11	19.17	19.01	19.16	19.03	19.40	0		
		1	24	19.12	19.09	19.02	19.12	19.10	19.40	0		
		12	0	19.01	19.15	19.15	19.08	19.07	19.40	0		
		12	6	19.03	19.08	19.11	19.04	19.08	19.40	0		
		12	13	19.15	19.01	19.19	19.12	19.06	19.40	0		
	64-QAM	25	0	19.08	19.02	19.08	19.03	19.17	19.40	0		
		1	0	19.16	19.13	19.15	19.14	19.09	19.40	0		
		1	12	19.02	19.01	19.02	19.07	19.05	19.40	0		
		1	24	19.17	19.11	19.05	19.13	19.16	19.40	0		
		12	0	19.15	19.10	19.12	19.11	19.07	19.40	0		
		12	6	19.04	19.11	19.18	19.10	19.11	19.40	0		
		12	13	19.00	19.09	19.00	19.19	19.10	19.40	0		
		25	0	19.15	19.05	19.16	19.03	19.14	19.40	0		

Unless otherwise stated the results shown in this test report refer only to the sample(s) tested and such sample(s) are retained for 90 days only.

除非另有說明，此報告結果僅對測試之樣品負責，同時此樣品僅保留90天。本報告未經本公司書面許可，不可部份複製。

This document is issued by the Company subject to its General Conditions of Service printed overleaf, available on request or accessible at <http://www.sgs.com.tw/Terms-and-Conditions> and for electronic format documents, subject to Terms and Conditions for Electronic Documents at <http://www.sgs.com.tw/Terms-and-Conditions>. Attention is drawn to the limitation of liability, indemnification and jurisdiction issues defined therein. Any holder of this document is advised that information contained hereon reflects the Company's findings at the time of its intervention only and within the limits of Client's instructions, if any. The Company's sole responsibility is to its Client and this document does not exonerate parties to a transaction from exercising all their rights and obligations under the transaction documents. This document cannot be reproduced except in full, without prior written approval of the Company. Any unauthorized alteration, forgery or falsification of the content or appearance of this document is unlawful and offenders may be prosecuted to the fullest extent of the law.

Tablet mode

Tx5-5G NR n2 / n5 / n12 / n66 power table:

5G NR n2								
BW(MHz)	Modulation	RB Size	RB Offset	Conducted power (dBm)			Target Power + Max. Tolerance (dBm)	MPR Allowed per 3GPP(dB)
Frequency (MHz)				1860	1880	1900		
Channel				372000	376000	380000		
20	Pi/2 BPSK	1	1	12.23	12.20	12.18	12.30	0
		1	53	12.12	12.06	12.08	12.30	0
		1	104	12.14	12.16	12.01	12.30	0
		50	0	12.17	12.07	12.03	12.30	0
		50	28	12.02	12.09	12.06	12.30	0
		50	56	12.02	12.02	12.07	12.30	0
	QPSK	100	0	12.07	12.13	12.10	12.30	0
		1	1	12.07	11.99	12.15	12.30	0
		1	53	12.16	12.08	12.07	12.30	0
		1	104	12.03	12.11	12.09	12.30	0
		50	0	12.12	12.09	12.01	12.30	0
		50	28	12.10	12.14	12.02	12.30	0
	16-QAM	50	56	12.17	12.04	12.14	12.30	0
		100	0	12.14	12.13	12.16	12.30	0
		1	1	12.02	12.09	12.06	12.30	0
64QAM	1	1	12.10	12.03	12.05	12.30	0	
256-QAM	1	1	12.00	12.09	12.07	12.30	0	
Frequency (MHz)				1857.5	1880	1902.5	Target Power + Max. Tolerance (dBm)	MPR Allowed per 3GPP(dB)
Channel				371500	376000	380500		
15	Pi/2 BPSK	1	1	12.01	12.04	12.17	12.30	0
Frequency (MHz)				1855	1880	1905	Target Power + Max. Tolerance (dBm)	MPR Allowed per 3GPP(dB)
Channel				371000	376000	381000		
10	Pi/2 BPSK	1	1	12.03	12.09	12.06	12.30	0
Frequency (MHz)				1852.5	1880	1907.5	Target Power + Max. Tolerance (dBm)	MPR Allowed per 3GPP(dB)
Channel				370500	376000	381500		
5	Pi/2 BPSK	1	1	12.17	12.10	12.06	12.30	0

Unless otherwise stated the results shown in this test report refer only to the sample(s) tested and such sample(s) are retained for 90 days only.

除非另有說明，此報告結果僅對測試之樣品負責，同時此樣品僅保留90天。本報告未經本公司書面許可，不可部份複製。

This document is issued by the Company subject to its General Conditions of Service printed overleaf, available on request or accessible at <http://www.sgs.com.tw/Terms-and-Conditions> and for electronic format documents, subject to Terms and Conditions for Electronic Documents at <http://www.sgs.com.tw/Terms-and-Conditions>. Attention is drawn to the limitation of liability, indemnification and jurisdiction issues defined therein. Any holder of this document is advised that information contained hereon reflects the Company's findings at the time of its intervention only and within the limits of Client's instructions, if any. The Company's sole responsibility is to its Client and this document does not exonerate parties to a transaction from exercising all their rights and obligations under the transaction documents. This document cannot be reproduced except in full, without prior written approval of the Company. Any unauthorized alteration, forgery or falsification of the content or appearance of this document is unlawful and offenders may be prosecuted to the fullest extent of the law.

5G NR n5								
BW(Mhz)	Modulation	RB Size	RB Offset	Conducted power (dBm)			Target Power + Max. Tolerance (dBm)	MPR Allowed per 3GPP(dB)
Frequency (MHz)				834	836.5	839		
Channel				166800	167300	167800		
20	Pi/2 BPSK	1	1	19.76	19.62	19.71	19.90	0
		1	53	19.53	19.56	19.46	19.90	0
		1	104	19.56	19.53	19.54	19.90	0
		50	0	19.59	19.55	19.42	19.90	0
		50	28	19.41	19.48	19.40	19.90	0
		50	56	19.49	19.58	19.43	19.90	0
		100	0	19.10	18.93	19.11	19.90	0
	QPSK	1	1	19.48	19.56	19.49	19.90	0
		1	53	19.47	19.41	19.53	19.90	0
		1	104	19.54	19.52	19.60	19.90	0
		50	0	19.48	19.49	19.47	19.90	0
		50	28	19.41	19.56	19.54	19.90	0
		50	56	19.49	19.50	19.53	19.90	0
	100	0	19.45	19.52	19.49	19.90	0	
16-QAM	1	1	19.48	19.47	19.57	19.90	0	
64QAM	1	1	19.43	19.54	19.57	19.90	0	
256-QAM	1	1	19.47	19.57	19.43	19.90	0	
Frequency (MHz)				831.5	836.5	841.5	Target Power + Max. Tolerance (dBm)	MPR Allowed per 3GPP(dB)
Channel				166300	167300	168300		
15	Pi/2 BPSK	1	1	19.47	19.59	19.49	19.90	0
Frequency (MHz)				829	836.5	844	Target Power + Max. Tolerance (dBm)	MPR Allowed per 3GPP(dB)
Channel				166300	167300	168800		
10	Pi/2 BPSK	1	1	19.42	19.60	19.54	19.90	0
Frequency (MHz)				826.5	836.5	846.5	Target Power + Max. Tolerance (dBm)	MPR Allowed per 3GPP(dB)
Channel				165300	167300	169300		
5	Pi/2 BPSK	1	1	19.48	19.48	19.56	19.90	0

Unless otherwise stated the results shown in this test report refer only to the sample(s) tested and such sample(s) are retained for 90 days only.

除非另有說明，此報告結果僅對測試之樣品負責，同時此樣品僅保留90天。本報告未經本公司書面許可，不可部份複製。

This document is issued by the Company subject to its General Conditions of Service printed overleaf, available on request or accessible at <http://www.sgs.com.tw/Terms-and-Conditions> and for electronic format documents, subject to Terms and Conditions for Electronic Documents at <http://www.sgs.com.tw/Terms-and-Conditions>. Attention is drawn to the limitation of liability, indemnification and jurisdiction issues defined therein. Any holder of this document is advised that information contained hereon reflects the Company's findings at the time of its intervention only and within the limits of Client's instructions, if any. The Company's sole responsibility is to its Client and this document does not exonerate parties to a transaction from exercising all their rights and obligations under the transaction documents. This document cannot be reproduced except in full, without prior written approval of the Company. Any unauthorized alteration, forgery or falsification of the content or appearance of this document is unlawful and offenders may be prosecuted to the fullest extent of the law.

5G NR n12								
BW(Mhz)	Modulation	RB Size	RB Offset	Conducted power (dBm)			Target Power + Max. Tolerance (dBm)	MPR Allowed per 3GPP(dB)
Frequency (MHz)				706.5	707.5	708.5		
Channel				141300	141500	141700		
15	Pi/2 BPSK	1	1	17.65	17.58	17.67	17.70	0
		1	40	17.43	17.47	17.48	17.70	0
		1	77	17.38	17.48	17.40	17.70	0
		36	0	17.47	17.38	17.40	17.70	0
		36	22	17.43	17.39	17.47	17.70	0
		36	43	17.55	17.52	17.41	17.70	0
		75	0	17.41	17.51	17.39	17.70	0
	QPSK	1	1	17.54	17.49	17.48	17.70	0
		1	40	17.37	17.53	17.52	17.70	0
		1	77	17.41	17.36	17.52	17.70	0
		36	0	17.55	17.38	17.47	17.70	0
		36	22	17.49	17.47	17.40	17.70	0
		36	43	17.42	17.47	17.49	17.70	0
	75	0	17.51	17.54	17.47	17.70	0	
	16-QAM	1	1	17.47	17.49	17.41	17.70	0
64QAM	1	1	17.55	17.45	17.36	17.70	0	
256-QAM	1	1	17.39	17.45	17.47	17.70	0	
Frequency (MHz)				704	707.5	711	Target Power + Max. Tolerance (dBm)	MPR Allowed per 3GPP(dB)
Channel				140800	141500	142200		
10	Pi/2 BPSK	1	1	17.47	17.49	17.41	17.70	0
Frequency (MHz)				701.5	707.5	713.5	Target Power + Max. Tolerance (dBm)	MPR Allowed per 3GPP(dB)
Channel				140300	141500	142200		
5	Pi/2 BPSK	1	1	17.51	17.54	17.47	17.70	0

Unless otherwise stated the results shown in this test report refer only to the sample(s) tested and such sample(s) are retained for 90 days only.

除非另有說明，此報告結果僅對測試之樣品負責，同時此樣品僅保留90天。本報告未經本公司書面許可，不可部份複製。

This document is issued by the Company subject to its General Conditions of Service printed overleaf, available on request or accessible at <http://www.sgs.com.tw/Terms-and-Conditions> and for electronic format documents, subject to Terms and Conditions for Electronic Documents at <http://www.sgs.com.tw/Terms-and-Conditions>. Attention is drawn to the limitation of liability, indemnification and jurisdiction issues defined therein. Any holder of this document is advised that information contained hereon reflects the Company's findings at the time of its intervention only and within the limits of Client's instructions, if any. The Company's sole responsibility is to its Client and this document does not exonerate parties to a transaction from exercising all their rights and obligations under the transaction documents. This document cannot be reproduced except in full, without prior written approval of the Company. Any unauthorized alteration, forgery or falsification of the content or appearance of this document is unlawful and offenders may be prosecuted to the fullest extent of the law.

5G NR n66								
BW(Mhz)	Modulation	RB Size	RB Offset	Conducted power (dBm)			Target Power + Max. Tolerance (dBm)	MPR Allowed per 3GPP(dB)
Frequency (MHz)				1720	1745	1770		
Channel				344000	349000	354000		
20	Pi/2 BPSK	1	1	13.66	13.60	13.55	13.70	0
		1	53	13.40	13.44	13.45	13.70	0
		1	104	13.35	13.45	13.37	13.70	0
		50	0	13.44	13.35	13.31	13.70	0
		50	28	13.40	13.36	13.44	13.70	0
		50	56	13.52	13.49	13.38	13.70	0
		100	0	13.38	13.48	13.36	13.70	0
	QPSK	1	1	13.51	13.46	13.45	13.70	0
		1	53	13.34	13.50	13.49	13.70	0
		1	104	13.38	13.33	13.49	13.70	0
		50	0	13.52	13.35	13.44	13.70	0
		50	28	13.46	13.44	13.37	13.70	0
		50	56	13.39	13.42	13.46	13.70	0
	100	0	13.48	13.51	13.42	13.70	0	
16-QAM	1	1	13.44	13.46	13.38	13.70	0	
64QAM	1	1	13.52	13.41	13.33	13.70	0	
256-QAM	1	1	13.36	13.40	13.44	13.70	0	
Frequency (MHz)				1717.5	1745	1772.5	Target Power + Max. Tolerance (dBm)	MPR Allowed per 3GPP(dB)
Channel				343500	349000	354500		
15	Pi/2 BPSK	1	1	13.52	13.42	13.33	13.70	0
Frequency (MHz)				1715	1745	1775	Target Power + Max. Tolerance (dBm)	MPR Allowed per 3GPP(dB)
Channel				343000	349000	355000		
10	Pi/2 BPSK	1	1	13.44	13.46	13.38	13.70	0
Frequency (MHz)				1712.5	1745	1777.5	Target Power + Max. Tolerance (dBm)	MPR Allowed per 3GPP(dB)
Channel				342500	349000	355500		
5	Pi/2 BPSK	1	1	13.39	13.44	13.46	13.70	0

Unless otherwise stated the results shown in this test report refer only to the sample(s) tested and such sample(s) are retained for 90 days only.

除非另有說明，此報告結果僅對測試之樣品負責，同時此樣品僅保留90天。本報告未經本公司書面許可，不可部份複製。

This document is issued by the Company subject to its General Conditions of Service printed overleaf, available on request or accessible at <http://www.sgs.com.tw/Terms-and-Conditions> and for electronic format documents, subject to Terms and Conditions for Electronic Documents at <http://www.sgs.com.tw/Terms-and-Conditions>. Attention is drawn to the limitation of liability, indemnification and jurisdiction issues defined therein. Any holder of this document is advised that information contained hereon reflects the Company's findings at the time of its intervention only and within the limits of Client's instructions, if any. The Company's sole responsibility is to its Client and this document does not exonerate parties to a transaction from exercising all their rights and obligations under the transaction documents. This document cannot be reproduced except in full, without prior written approval of the Company. Any unauthorized alteration, forgery or falsification of the content or appearance of this document is unlawful and offenders may be prosecuted to the fullest extent of the law.

Notebook mode
Tx8-LTE FDD Band 2 / Band 7 / Band 66 power table:

LTE Band 2								
BW(Mhz)	Modulation	RB Size	RB Offset	Conducted power (dBm)			Target Power + Max. Tolerance (dBm)	MPR Allowed per 3GPP(dB)
Frequency (MHz)			1860	1880	1900			
Channel			18700	18900	19100			
20	QPSK	1	0	23.92	23.89	23.98	24.00	0
		1	50	23.49	23.82	23.68	24.00	0
		1	99	23.82	23.84	23.91	24.00	0
		50	0	22.93	22.95	22.92	23.00	0-1
		50	25	22.76	22.74	22.86	23.00	0-1
		50	50	22.91	22.78	22.84	23.00	0-1
	16-QAM	100	0	22.84	22.71	22.82	23.00	0-1
		1	0	22.77	22.79	22.79	23.00	0-1
		1	50	22.76	22.79	22.90	23.00	0-1
		1	99	22.88	22.82	22.78	23.00	0-1
		50	0	21.84	21.90	21.93	22.00	0-2
		50	25	21.79	21.85	21.91	22.00	0-2
	64-QAM	50	50	21.78	21.80	21.76	22.00	0-2
		100	0	21.81	21.77	21.70	22.00	0-2
		1	0	21.82	21.78	21.74	22.00	0-2
		1	50	21.72	21.76	21.79	22.00	0-2
		1	99	21.88	21.89	21.78	22.00	0-2
		50	0	20.93	20.89	20.92	21.00	0-3
	256-QAM	50	25	20.82	20.77	20.86	21.00	0-3
		50	50	20.80	20.85	20.76	21.00	0-3
		100	0	20.89	20.91	20.84	21.00	0-3
		1	0	18.91	18.89	18.76	19.00	0-5
		1	50	18.83	18.86	18.91	19.00	0-5
		1	99	18.86	18.87	18.76	19.00	0-5
Frequency (MHz)			1857.5	1880	1902.5	Target Power + Max. Tolerance (dBm)	MPR Allowed per 3GPP(dB)	
Channel			18675	18900	19125			
15	QPSK	1	0	23.81	23.93	23.84	24.00	0
		1	36	23.93	23.79	23.79	24.00	0
		1	74	23.89	23.78	23.86	24.00	0
		36	0	22.90	22.91	22.89	23.00	0-1
		36	18	22.90	22.77	22.81	23.00	0-1
		36	37	22.79	22.84	22.84	23.00	0-1
	16-QAM	75	0	22.83	22.92	22.80	23.00	0-1
		1	0	22.95	22.86	22.77	23.00	0-1
		1	36	22.88	22.80	22.94	23.00	0-1
		1	74	22.77	22.91	22.92	23.00	0-1
		36	0	21.90	21.86	21.78	22.00	0-2
		36	18	21.76	21.86	21.78	22.00	0-2
	64-QAM	36	37	21.89	21.89	21.76	22.00	0-2
		75	0	21.80	21.87	21.94	22.00	0-2
		1	0	21.88	21.91	21.93	22.00	0-2
		1	36	21.80	21.95	21.95	22.00	0-2
		1	74	21.91	21.77	21.87	22.00	0-2
		36	0	20.88	20.88	20.91	21.00	0-3
	256-QAM	36	18	20.86	20.85	20.88	21.00	0-3
		36	37	20.94	20.78	20.80	21.00	0-3
		75	0	20.89	20.90	20.81	21.00	0-3
		1	0	18.83	18.88	18.83	19.00	0-5
		1	36	18.90	18.89	18.87	19.00	0-5
		1	74	18.95	18.78	18.76	19.00	0-5
Frequency (MHz)			1857.5	1880	1902.5	Target Power + Max. Tolerance (dBm)	MPR Allowed per 3GPP(dB)	
Channel			18675	18900	19125			
15	QPSK	1	0	23.81	23.93	23.84	24.00	0
		1	36	23.93	23.79	23.79	24.00	0
		1	74	23.89	23.78	23.86	24.00	0
		36	0	22.90	22.91	22.89	23.00	0-1
		36	18	22.90	22.77	22.81	23.00	0-1
		36	37	22.79	22.84	22.84	23.00	0-1
	16-QAM	75	0	22.83	22.92	22.80	23.00	0-1
		1	0	22.95	22.86	22.77	23.00	0-1
		1	36	22.88	22.80	22.94	23.00	0-1
		1	74	22.77	22.91	22.92	23.00	0-1
		36	0	21.90	21.86	21.78	22.00	0-2
		36	18	21.76	21.86	21.78	22.00	0-2
	64-QAM	36	37	21.89	21.89	21.76	22.00	0-2
		75	0	21.80	21.87	21.94	22.00	0-2
		1	0	21.88	21.91	21.93	22.00	0-2
		1	36	21.80	21.95	21.95	22.00	0-2
		1	74	21.91	21.77	21.87	22.00	0-2
		36	0	20.88	20.88	20.91	21.00	0-3
	256-QAM	36	18	20.86	20.85	20.88	21.00	0-3
		36	37	20.94	20.78	20.80	21.00	0-3
		75	0	20.89	20.90	20.81	21.00	0-3
		1	0	18.83	18.88	18.83	19.00	0-5
		1	36	18.90	18.89	18.87	19.00	0-5
		1	74	18.95	18.78	18.76	19.00	0-5

Unless otherwise stated the results shown in this test report refer only to the sample(s) tested and such sample(s) are retained for 90 days only.

除非另有說明，此報告結果僅對測試之樣品負責，同時此樣品僅保留90天。本報告未經本公司書面許可，不可部份複製。

This document is issued by the Company subject to its General Conditions of Service printed overleaf, available on request or accessible at <http://www.sgs.com.tw/Terms-and-Conditions> and for electronic format documents, subject to Terms and Conditions for Electronic Documents at <http://www.sgs.com.tw/Terms-and-Conditions>. Attention is drawn to the limitation of liability, indemnification and jurisdiction issues defined therein. Any holder of this document is advised that information contained hereon reflects the Company's findings at the time of its intervention only and within the limits of Client's instructions, if any. The Company's sole responsibility is to its Client and this document does not exonerate parties to a transaction from exercising all their rights and obligations under the transaction documents. This document cannot be reproduced except in full, without prior written approval of the Company. Any unauthorized alteration, forgery or falsification of the content or appearance of this document is unlawful and offenders may be prosecuted to the fullest extent of the law.

LTE Band 2										
BW(Mhz)	Modulation	RB Size	RB Offset	Conducted power (dBm)			Target Power + Max. Tolerance (dBm)	MPR Allowed per 3GPP(dB)		
Frequency (MHz)			1855	1880	1905					
Channel			18650	18900	19150					
10	QPSK	1	0	23.83	23.88	23.80	24.00	0		
		1	25	23.81	23.78	23.92	24.00	0		
		1	49	23.84	23.77	23.87	24.00	0		
		25	0	22.76	22.83	22.80	23.00	0-1		
		25	12	22.87	22.90	22.94	23.00	0-1		
		25	25	22.81	22.94	22.77	23.00	0-1		
	16-QAM	50	0	22.95	22.79	22.93	23.00	0-1		
		1	0	22.86	22.91	22.91	23.00	0-1		
		1	25	22.87	22.82	22.89	23.00	0-1		
		1	49	22.91	22.79	22.86	23.00	0-1		
		25	0	21.78	21.91	21.79	22.00	0-2		
		25	12	21.94	21.86	21.80	22.00	0-2		
	64-QAM	25	25	21.86	21.81	21.77	22.00	0-2		
		50	0	21.76	21.88	21.81	22.00	0-2		
		1	0	21.76	21.95	21.94	22.00	0-2		
		1	25	21.88	21.76	21.95	22.00	0-2		
		1	49	21.89	21.95	21.93	22.00	0-2		
		25	0	20.86	20.91	20.92	21.00	0-3		
	256-QAM	25	12	20.85	20.80	20.92	21.00	0-3		
		25	25	20.87	20.95	20.83	21.00	0-3		
		50	0	20.82	20.84	20.92	21.00	0-3		
		1	0	18.91	18.90	18.77	19.00	0-5		
		1	25	18.85	18.81	18.81	19.00	0-5		
		1	49	18.87	18.77	18.77	19.00	0-5		
	5	QPSK	25	0	18.93	18.87	18.86	19.00	0-5	
			25	12	18.80	18.85	18.79	19.00	0-5	
			25	25	18.86	18.95	18.94	19.00	0-5	
			50	0	18.93	18.77	18.88	19.00	0-5	
			Frequency (MHz)			1852.5	1880	1907.5	Target Power + Max. Tolerance (dBm)	MPR Allowed per 3GPP(dB)
			Channel			18625	18900	19175		
5		QPSK	1	0	23.93	23.77	23.87	24.00		
			1	12	23.81	23.85	23.84	24.00	0	
			1	24	23.76	23.94	23.95	24.00	0	
			12	0	22.92	22.91	22.87	23.00	0-1	
			12	6	22.86	22.84	22.77	23.00	0-1	
			12	13	22.91	22.86	22.80	23.00	0-1	
		16-QAM	25	0	22.88	22.89	22.81	23.00	0-1	
			1	0	22.94	22.95	22.81	23.00	0-1	
			1	12	22.81	22.91	22.87	23.00	0-1	
			1	24	22.77	22.87	22.86	23.00	0-1	
			12	0	21.90	21.89	21.79	22.00	0-2	
			12	6	21.87	21.89	21.94	22.00	0-2	
		64-QAM	12	13	21.95	21.89	21.91	22.00	0-2	
			25	0	21.95	21.89	21.93	22.00	0-2	
			1	0	21.80	21.87	21.77	22.00	0-2	
			1	12	21.78	21.83	21.79	22.00	0-2	
			1	24	21.77	21.80	21.81	22.00	0-2	
			12	0	20.88	20.86	20.85	21.00	0-3	
		256-QAM	12	6	20.82	20.91	20.88	21.00	0-3	
			12	13	20.92	20.76	20.80	21.00	0-3	
			25	0	20.83	20.84	20.76	21.00	0-3	
			1	0	18.85	18.84	18.80	19.00	0-5	
			1	12	18.76	18.94	18.94	19.00	0-5	
			1	24	18.78	18.81	18.93	19.00	0-5	
5	QPSK	12	0	18.86	18.76	18.80	19.00	0-5		
		12	6	18.91	18.86	18.95	19.00	0-5		
		12	13	18.77	18.89	18.88	19.00	0-5		
		25	0	18.88	18.86	18.83	19.00	0-5		

Unless otherwise stated the results shown in this test report refer only to the sample(s) tested and such sample(s) are retained for 90 days only.

除非另有說明，此報告結果僅對測試之樣品負責，同時此樣品僅保留90天。本報告未經本公司書面許可，不可部份複製。

This document is issued by the Company subject to its General Conditions of Service printed overleaf, available on request or accessible at <http://www.sgs.com.tw/Terms-and-Conditions> and for electronic format documents, subject to Terms and Conditions for Electronic Documents at <http://www.sgs.com.tw/Terms-and-Conditions>. Attention is drawn to the limitation of liability, indemnification and jurisdiction issues defined therein. Any holder of this document is advised that information contained hereon reflects the Company's findings at the time of its intervention only and within the limits of Client's instructions, if any. The Company's sole responsibility is to its Client and this document does not exonerate parties to a transaction from exercising all their rights and obligations under the transaction documents. This document cannot be reproduced except in full, without prior written approval of the Company. Any unauthorized alteration, forgery or falsification of the content or appearance of this document is unlawful and offenders may be prosecuted to the fullest extent of the law.

LTE Band 7										
BW(Mhz)	Modulation	RB Size	RB Offset	Conducted power (dBm)			Target Power + Max. Tolerance (dBm)	MPR Allowed per 3GPP(dB)		
Frequency (MHz)			2510	2535	2560					
Channel			20850	21100	21350					
20	QPSK	1	0	23.91	22.97	23.98	24.00	0		
		1	50	23.63	22.86	22.75	24.00	0		
		1	99	22.73	22.92	23.90	24.00	0		
		50	0	22.80	22.82	22.84	23.00	0-1		
		50	25	22.84	22.81	22.77	23.00	0-1		
		50	50	22.92	22.93	22.95	23.00	0-1		
	16-QAM	100	0	22.91	22.76	22.72	23.00	0-1		
		1	0	22.82	22.90	22.95	23.00	0-1		
		1	50	22.95	22.79	22.89	23.00	0-1		
		1	99	22.84	22.87	22.79	23.00	0-1		
		50	0	21.92	21.82	21.78	22.00	0-2		
		50	25	21.87	21.88	21.95	22.00	0-2		
	64-QAM	50	50	21.94	21.82	21.83	22.00	0-2		
		100	0	21.91	21.89	21.78	22.00	0-2		
		1	0	21.86	21.92	21.86	22.00	0-2		
		1	50	21.87	21.78	21.92	22.00	0-2		
		1	99	21.89	21.77	21.86	22.00	0-2		
		50	0	20.95	20.86	20.84	21.00	0-3		
	256-QAM	50	25	20.76	20.82	20.87	21.00	0-3		
		50	50	20.93	20.85	20.80	21.00	0-3		
		100	0	20.86	20.87	20.91	21.00	0-3		
		1	0	18.78	18.88	18.80	19.00	0-5		
		1	50	18.76	18.85	18.79	19.00	0-5		
		1	99	18.92	18.77	18.76	19.00	0-5		
	15	QPSK	50	0	18.93	18.88	18.82	19.00	0-5	
			50	25	18.88	18.86	18.93	19.00	0-5	
			50	50	18.82	18.87	18.84	19.00	0-5	
			100	0	18.80	18.92	18.90	19.00	0-5	
			Frequency (MHz)			2507.5	2535	2562.5	Target Power + Max. Tolerance (dBm)	MPR Allowed per 3GPP(dB)
			Channel			20825	21100	21375		
15		QPSK	1	0	23.95	23.77	23.81	24.00	0	
			1	36	23.90	23.82	23.77	24.00	0	
			1	74	23.77	23.79	23.82	24.00	0	
			36	0	22.90	22.88	22.83	23.00	0-1	
			36	18	22.77	22.79	22.84	23.00	0-1	
			36	37	22.89	22.95	22.77	23.00	0-1	
		16-QAM	75	0	22.88	22.92	22.89	23.00	0-1	
			1	0	22.95	22.77	22.77	23.00	0-1	
			1	36	22.92	22.78	22.80	23.00	0-1	
			1	74	22.76	22.88	22.95	23.00	0-1	
			36	0	21.91	21.78	21.95	22.00	0-2	
			36	18	21.82	21.76	21.79	22.00	0-2	
		64-QAM	36	37	21.89	21.84	21.79	22.00	0-2	
			75	0	21.91	21.80	21.88	22.00	0-2	
			1	0	21.91	21.86	21.82	22.00	0-2	
			1	36	21.91	21.92	21.90	22.00	0-2	
			1	74	21.95	21.80	21.90	22.00	0-2	
			36	0	20.78	20.93	20.80	21.00	0-3	
		256-QAM	36	18	20.89	20.80	20.82	21.00	0-3	
			36	37	20.86	20.81	20.83	21.00	0-3	
			75	0	20.95	20.77	20.85	21.00	0-3	
			1	0	18.83	18.88	18.83	19.00	0-5	
			1	36	18.79	18.88	18.90	19.00	0-5	
			1	74	18.80	18.78	18.94	19.00	0-5	
	15	QPSK	36	0	18.90	18.81	18.82	19.00	0-5	
			36	18	18.89	18.85	18.90	19.00	0-5	
			36	37	18.95	18.83	18.81	19.00	0-5	
			75	0	18.92	18.88	18.93	19.00	0-5	

Unless otherwise stated the results shown in this test report refer only to the sample(s) tested and such sample(s) are retained for 90 days only.

除非另有說明，此報告結果僅對測試之樣品負責，同時此樣品僅保留90天。本報告未經本公司書面許可，不可部份複製。

This document is issued by the Company subject to its General Conditions of Service printed overleaf, available on request or accessible at <http://www.sgs.com.tw/Terms-and-Conditions> and for electronic format documents, subject to Terms and Conditions for Electronic Documents at <http://www.sgs.com.tw/Terms-and-Conditions>. Attention is drawn to the limitation of liability, indemnification and jurisdiction issues defined therein. Any holder of this document is advised that information contained hereon reflects the Company's findings at the time of its intervention only and within the limits of Client's instructions, if any. The Company's sole responsibility is to its Client and this document does not exonerate parties to a transaction from exercising all their rights and obligations under the transaction documents. This document cannot be reproduced except in full, without prior written approval of the Company. Any unauthorized alteration, forgery or falsification of the content or appearance of this document is unlawful and offenders may be prosecuted to the fullest extent of the law.

LTE Band 7									
BW(MHz)	Modulation	RB Size	RB Offset	Conducted power (dBm)			Target Power + Max. Tolerance (dBm)	MPR Allowed per 3GPP(dB)	
Frequency (MHz)			2505	2535	2565				
Channel			20800	21100	21400				
10	QPSK	1	0	23.79	23.79	23.93	24.00	0	
		1	25	23.91	23.81	23.85	24.00	0	
		1	49	23.89	23.89	23.86	24.00	0	
		25	0	22.88	22.85	22.88	23.00	0-1	
		25	12	22.93	22.84	22.89	23.00	0-1	
		25	25	22.87	22.82	22.83	23.00	0-1	
	16-QAM	50	0	22.94	22.82	22.77	23.00	0-1	
		1	0	22.88	22.83	22.80	23.00	0-1	
		1	25	22.89	22.84	22.91	23.00	0-1	
		1	49	22.81	22.94	22.87	23.00	0-1	
		25	0	21.94	21.79	21.83	22.00	0-2	
		25	12	21.85	21.93	21.85	22.00	0-2	
	64-QAM	25	25	21.82	21.87	21.83	22.00	0-2	
		50	0	21.94	21.88	21.86	22.00	0-2	
		1	0	21.92	21.95	21.88	22.00	0-2	
		1	25	21.85	21.80	21.84	22.00	0-2	
		1	49	21.78	21.94	21.86	22.00	0-2	
		25	0	20.89	20.95	20.82	21.00	0-3	
	256-QAM	25	12	20.88	20.82	20.87	21.00	0-3	
		25	25	20.76	20.86	20.91	21.00	0-3	
		50	0	20.92	20.94	20.95	21.00	0-3	
		1	0	18.89	18.94	18.84	19.00	0-5	
		1	25	18.83	18.77	18.85	19.00	0-5	
		1	49	18.77	18.93	18.83	19.00	0-5	
	Frequency (MHz)			2502.5	2535	2567.5	Target Power + Max. Tolerance (dBm)	MPR Allowed per 3GPP(dB)	
	Channel			20775	21100	21425			
	5	QPSK	1	0	23.77	23.90	23.86	24.00	0
			1	12	23.87	23.81	23.95	24.00	0
			1	24	23.88	23.91	23.81	24.00	0
			12	0	22.81	22.83	22.81	23.00	0-1
12			6	22.88	22.82	22.82	23.00	0-1	
12			13	22.88	22.92	22.86	23.00	0-1	
16-QAM		25	0	22.82	22.78	22.90	23.00	0-1	
		1	0	22.77	22.78	22.89	23.00	0-1	
		1	12	22.84	22.85	22.92	23.00	0-1	
		1	24	22.92	22.84	22.84	23.00	0-1	
		12	0	21.78	21.78	21.82	22.00	0-2	
		12	6	21.78	21.80	21.89	22.00	0-2	
64-QAM		12	13	21.81	21.95	21.90	22.00	0-2	
		25	0	21.95	21.92	21.95	22.00	0-2	
		1	0	21.89	21.86	21.80	22.00	0-2	
		1	12	21.93	21.76	21.85	22.00	0-2	
		1	24	21.93	21.91	21.91	22.00	0-2	
		12	0	20.94	20.83	20.95	21.00	0-3	
256-QAM		12	6	20.83	20.83	20.92	21.00	0-3	
		12	13	20.93	20.89	20.93	21.00	0-3	
		25	0	20.78	20.89	20.77	21.00	0-3	
		1	0	18.78	18.87	18.81	19.00	0-5	
		1	12	18.93	18.77	18.86	19.00	0-5	
		1	24	18.76	18.87	18.94	19.00	0-5	
Frequency (MHz)			2502.5	2535	2567.5	Target Power + Max. Tolerance (dBm)	MPR Allowed per 3GPP(dB)		
Channel			20775	21100	21425				
5		QPSK	1	0	18.95	18.80	18.88	19.00	0-5
			12	6	18.95	18.78	18.95	19.00	0-5
			12	13	18.94	18.88	18.78	19.00	0-5
			25	0	18.77	18.95	18.91	19.00	0-5

Unless otherwise stated the results shown in this test report refer only to the sample(s) tested and such sample(s) are retained for 90 days only.

除非另有說明，此報告結果僅對測試之樣品負責，同時此樣品僅保留90天。本報告未經本公司書面許可，不可部份複製。

This document is issued by the Company subject to its General Conditions of Service printed overleaf, available on request or accessible at <http://www.sgs.com.tw/Terms-and-Conditions> and for electronic format documents, subject to Terms and Conditions for Electronic Documents at <http://www.sgs.com.tw/Terms-and-Conditions>. Attention is drawn to the limitation of liability, indemnification and jurisdiction issues defined therein. Any holder of this document is advised that information contained hereon reflects the Company's findings at the time of its intervention only and within the limits of Client's instructions, if any. The Company's sole responsibility is to its Client and this document does not exonerate parties to a transaction from exercising all their rights and obligations under the transaction documents. This document cannot be reproduced except in full, without prior written approval of the Company. Any unauthorized alteration, forgery or falsification of the content or appearance of this document is unlawful and offenders may be prosecuted to the fullest extent of the law.

LTE Band 66									
BW(Mhz)	Modulation	RB Size	RB Offset	Conducted power (dBm)			Target Power + Max. Tolerance (dBm)	MPR Allowed per 3GPP(dB)	
Frequency (MHz)			1720	1745	1770				
Channel			132072	132322	132572				
20	QPSK	1	0	23.96	23.99	23.94	24.00	0	
		1	50	23.57	23.91	23.89	24.00	0	
		1	99	23.95	23.84	23.86	24.00	0	
		50	0	22.86	22.87	22.89	23.00	0-1	
		50	25	22.85	22.79	22.92	23.00	0-1	
		50	50	22.96	22.94	22.93	23.00	0-1	
	16-QAM	100	0	22.78	22.91	22.87	23.00	0-1	
		1	0	22.85	22.92	22.86	23.00	0-1	
		1	50	22.83	22.78	22.81	23.00	0-1	
		1	99	22.85	22.85	22.89	23.00	0-1	
		50	0	21.84	21.83	21.81	22.00	0-2	
		50	25	21.89	21.82	21.91	22.00	0-2	
	64-QAM	50	50	21.88	21.94	21.79	22.00	0-2	
		100	0	21.79	21.96	21.96	22.00	0-2	
		1	0	21.84	21.77	21.78	22.00	0-2	
		1	50	21.88	21.82	21.78	22.00	0-2	
		1	99	21.87	21.86	21.94	22.00	0-2	
		50	0	20.87	20.83	20.81	21.00	0-3	
	256-QAM	50	25	20.79	20.80	20.88	21.00	0-3	
		50	50	20.80	20.95	20.77	21.00	0-3	
		100	0	20.82	20.90	20.83	21.00	0-3	
		1	0	18.90	18.95	18.88	19.00	0-5	
		1	50	18.89	18.78	18.83	19.00	0-5	
		1	99	18.96	18.81	18.81	19.00	0-5	
	Frequency (MHz)			1717.5	1745	1772.5	Target Power + Max. Tolerance (dBm)	MPR Allowed per 3GPP(dB)	
	Channel			132047	132322	132597			
	15	QPSK	1	0	23.78	23.85			23.83
			1	36	23.93	23.93	23.90	24.00	0
			1	74	23.90	23.87	23.90	24.00	0
			36	0	22.79	22.85	22.80	23.00	0-1
36			18	22.86	22.91	22.82	23.00	0-1	
36			37	22.84	22.86	22.94	23.00	0-1	
16-QAM		75	0	22.81	22.79	22.86	23.00	0-1	
		1	0	22.96	22.88	22.86	23.00	0-1	
		1	36	22.94	22.93	22.96	23.00	0-1	
		1	74	22.95	22.81	22.89	23.00	0-1	
		36	0	21.82	21.87	21.93	22.00	0-2	
		36	18	21.92	21.79	21.83	22.00	0-2	
64-QAM		36	37	21.95	21.92	21.79	22.00	0-2	
		75	0	21.93	21.81	21.94	22.00	0-2	
		1	0	21.77	21.88	21.93	22.00	0-2	
		1	36	21.93	21.87	21.84	22.00	0-2	
		1	74	21.92	21.91	21.83	22.00	0-2	
		36	0	20.80	20.85	20.95	21.00	0-3	
256-QAM		36	18	20.85	20.82	20.77	21.00	0-3	
		36	37	20.85	20.83	20.80	21.00	0-3	
		75	0	20.77	20.86	20.80	21.00	0-3	
		1	0	18.88	18.80	18.92	19.00	0-5	
		1	36	18.82	18.79	18.86	19.00	0-5	
		1	74	18.82	18.83	18.88	19.00	0-5	
Frequency (MHz)			1717.5	1745	1772.5	Target Power + Max. Tolerance (dBm)	MPR Allowed per 3GPP(dB)		
Channel			132047	132322	132597				
15		QPSK	36	0	22.86			22.91	22.82
			36	37	22.84	22.86	22.94	23.00	0-1
			75	0	22.81	22.79	22.86	23.00	0-1
			1	0	22.96	22.88	22.86	23.00	0-1
	1		36	22.94	22.93	22.96	23.00	0-1	
	1		74	22.95	22.81	22.89	23.00	0-1	
	16-QAM	36	0	21.82	21.87	21.93	22.00	0-2	
		36	18	21.92	21.79	21.83	22.00	0-2	
		36	37	21.95	21.92	21.79	22.00	0-2	
		75	0	21.93	21.81	21.94	22.00	0-2	
		1	0	21.77	21.88	21.93	22.00	0-2	
		1	36	21.93	21.87	21.84	22.00	0-2	
	64-QAM	1	74	21.92	21.91	21.83	22.00	0-2	
		36	0	20.80	20.85	20.95	21.00	0-3	
		36	18	20.85	20.82	20.77	21.00	0-3	
		36	37	20.85	20.83	20.80	21.00	0-3	
		75	0	20.77	20.86	20.80	21.00	0-3	
		1	0	18.88	18.80	18.92	19.00	0-5	
	256-QAM	1	36	18.82	18.79	18.86	19.00	0-5	
		36	0	18.84	18.78	18.92	19.00	0-5	
		36	18	18.90	18.84	18.86	19.00	0-5	
		36	37	18.82	18.87	18.86	19.00	0-5	
		75	0	18.85	18.79	18.91	19.00	0-5	

Unless otherwise stated the results shown in this test report refer only to the sample(s) tested and such sample(s) are retained for 90 days only.

除非另有說明，此報告結果僅對測試之樣品負責，同時此樣品僅保留90天。本報告未經本公司書面許可，不可部份複製。

This document is issued by the Company subject to its General Conditions of Service printed overleaf, available on request or accessible at <http://www.sgs.com.tw/Terms-and-Conditions> and for electronic format documents, subject to Terms and Conditions for Electronic Documents at <http://www.sgs.com.tw/Terms-and-Conditions>. Attention is drawn to the limitation of liability, indemnification and jurisdiction issues defined therein. Any holder of this document is advised that information contained hereon reflects the Company's findings at the time of its intervention only and within the limits of Client's instructions, if any. The Company's sole responsibility is to its Client and this document does not exonerate parties to a transaction from exercising all their rights and obligations under the transaction documents. This document cannot be reproduced except in full, without prior written approval of the Company. Any unauthorized alteration, forgery or falsification of the content or appearance of this document is unlawful and offenders may be prosecuted to the fullest extent of the law.

LTE Band 66									
BW(Mhz)	Modulation	RB Size	RB Offset	Conducted power (dBm)			Target Power + Max. Tolerance (dBm)	MPR Allowed per 3GPP(dB)	
Frequency (MHz)			1715	1745	1775				
Channel			132022	132322	132622				
10	QPSK	1	0	23.80	23.86	23.84	24.00	0	
		1	25	23.94	23.83	23.77	24.00	0	
		1	49	23.94	23.92	23.84	24.00	0	
		25	0	22.85	22.84	22.89	23.00	0-1	
		25	12	22.94	22.80	22.95	23.00	0-1	
		25	25	22.79	22.94	22.80	23.00	0-1	
	16-QAM	50	0	22.90	22.83	22.85	23.00	0-1	
		1	0	22.84	22.81	22.85	23.00	0-1	
		1	25	22.77	22.89	22.85	23.00	0-1	
		1	49	22.89	22.88	22.77	23.00	0-1	
		25	0	21.77	21.88	21.91	22.00	0-2	
		25	12	21.96	21.80	21.96	22.00	0-2	
	64-QAM	25	25	21.86	21.81	21.94	22.00	0-2	
		50	0	21.88	21.89	21.95	22.00	0-2	
		1	0	21.87	21.87	21.86	22.00	0-2	
		1	25	21.80	21.79	21.81	22.00	0-2	
		1	49	21.82	21.92	21.87	22.00	0-2	
		25	0	20.83	20.92	20.77	21.00	0-3	
	256-QAM	25	12	20.90	20.87	20.82	21.00	0-3	
		25	25	20.77	20.91	20.77	21.00	0-3	
		50	0	20.83	20.78	20.77	21.00	0-3	
		1	0	18.85	18.96	18.83	19.00	0-5	
		1	25	18.77	18.84	18.85	19.00	0-5	
		1	49	18.79	18.80	18.94	19.00	0-5	
	5	QPSK	25	0	18.89	18.81	18.83	19.00	0-5
			25	12	18.79	18.80	18.84	19.00	0-5
			25	25	18.79	18.81	18.84	19.00	0-5
			25	25	18.79	18.81	18.90	19.00	0-5
			50	0	18.80	18.94	18.88	19.00	0-5
			Frequency (MHz)			1712.5	1745	1777.5	Target Power + Max. Tolerance (dBm)
Channel			131997	132322	132647				
5		QPSK	1	0	23.89	23.78	23.81	24.00	
			1	12	23.91	23.90	23.89	24.00	0
			1	24	23.95	23.77	23.78	24.00	0
			12	0	22.91	22.92	22.89	23.00	0-1
			12	6	22.83	22.93	22.82	23.00	0-1
			12	13	22.90	22.91	22.79	23.00	0-1
		16-QAM	25	0	22.94	22.93	22.96	23.00	0-1
			1	0	22.82	22.91	22.96	23.00	0-1
			1	12	22.79	22.80	22.80	23.00	0-1
			1	24	22.88	22.85	22.92	23.00	0-1
			12	0	21.89	21.93	21.92	22.00	0-2
			12	6	21.83	21.79	21.83	22.00	0-2
		64-QAM	12	13	21.82	21.83	21.92	22.00	0-2
			25	0	21.86	21.84	21.80	22.00	0-2
			1	0	21.83	21.84	21.94	22.00	0-2
			1	12	21.85	21.93	21.93	22.00	0-2
			1	24	21.77	21.94	21.86	22.00	0-2
			12	0	20.89	20.85	20.87	21.00	0-3
		256-QAM	12	6	20.96	20.79	20.96	21.00	0-3
			12	13	20.95	20.86	20.78	21.00	0-3
25			0	20.88	20.85	20.88	21.00	0-3	
1			0	18.80	18.87	18.90	19.00	0-5	
1			12	18.85	18.86	18.95	19.00	0-5	
1	24		18.78	18.77	18.92	19.00	0-5		
5	QPSK	12	0	18.78	18.86	18.81	19.00	0-5	
		12	6	18.84	18.82	18.81	19.00	0-5	
		12	13	18.92	18.90	18.81	19.00	0-5	
		25	0	18.77	18.83	18.92	19.00	0-5	

Unless otherwise stated the results shown in this test report refer only to the sample(s) tested and such sample(s) are retained for 90 days only.

除非另有說明，此報告結果僅對測試之樣品負責，同時此樣品僅保留90天。本報告未經本公司書面許可，不可部份複製。

This document is issued by the Company subject to its General Conditions of Service printed overleaf, available on request or accessible at <http://www.sgs.com.tw/Terms-and-Conditions> and for electronic format documents, subject to Terms and Conditions for Electronic Documents at <http://www.sgs.com.tw/Terms-and-Conditions>. Attention is drawn to the limitation of liability, indemnification and jurisdiction issues defined therein. Any holder of this document is advised that information contained hereon reflects the Company's findings at the time of its intervention only and within the limits of Client's instructions, if any. The Company's sole responsibility is to its Client and this document does not exonerate parties to a transaction from exercising all their rights and obligations under the transaction documents. This document cannot be reproduced except in full, without prior written approval of the Company. Any unauthorized alteration, forgery or falsification of the content or appearance of this document is unlawful and offenders may be prosecuted to the fullest extent of the law.

LTE Band 66										
BW(Mhz)	Modulation	RB Size	RB Offset	Conducted power (dBm)			Target Power + Max. Tolerance (dBm)	MPR Allowed per 3GPP(dB)		
Frequency (MHz)			1711.5	1745	1778.5					
Channel			131987	132322	132657					
3	QPSK	1	0	23.95	23.92	23.84	24.00	0		
		1	7	23.86	23.77	23.92	24.00	0		
		1	14	23.89	23.88	23.79	24.00	0		
		8	0	22.86	22.78	22.87	23.00	0-1		
		8	4	22.93	22.85	22.90	23.00	0-1		
		8	7	22.94	22.96	22.96	23.00	0-1		
	16-QAM	15	0	22.96	22.79	22.84	23.00	0-1		
		1	0	22.84	22.94	22.90	23.00	0-1		
		1	7	22.89	22.84	22.90	23.00	0-1		
		1	14	22.92	22.96	22.92	23.00	0-1		
		8	0	21.80	21.94	21.87	22.00	0-2		
		8	4	21.86	21.95	21.79	22.00	0-2		
	64-QAM	8	7	21.90	21.83	21.81	22.00	0-2		
		15	0	21.79	21.85	21.83	22.00	0-2		
		1	0	21.88	21.96	21.80	22.00	0-2		
		1	7	21.96	21.95	21.96	22.00	0-2		
		1	14	21.87	21.91	21.89	22.00	0-2		
		8	0	20.93	20.84	20.91	21.00	0-3		
	256-QAM	8	4	20.92	20.80	20.89	21.00	0-3		
		8	7	20.81	20.85	20.80	21.00	0-3		
		15	0	20.96	20.92	20.95	21.00	0-3		
		1	0	18.85	18.78	18.80	19.00	0-5		
		1	7	18.94	18.88	18.81	19.00	0-5		
		1	14	18.85	18.84	18.87	19.00	0-5		
	1.4	QPSK	8	0	18.86	18.92	18.88	19.00	0-5	
			8	4	18.88	18.88	18.96	19.00	0-5	
			8	7	18.94	18.80	18.77	19.00	0-5	
			15	0	18.85	18.81	18.91	19.00	0-5	
			Frequency (MHz)			1710.7	1745	1779.3	Target Power + Max. Tolerance (dBm)	MPR Allowed per 3GPP(dB)
			Channel			131979	132322	132665		
1.4		QPSK	1	0	23.94	23.86	23.81	24.00		
			1	2	23.91	23.95	23.79	24.00	0	
			1	5	23.90	23.77	23.77	24.00	0	
			3	0	22.96	22.81	22.94	23.00	0-1	
			3	2	22.83	22.91	22.96	23.00	0-1	
			3	3	22.87	22.77	22.87	23.00	0-1	
		16-QAM	6	0	22.85	22.83	22.93	23.00	0-1	
			1	0	22.92	22.90	22.79	23.00	0-1	
			1	2	22.93	22.92	22.90	23.00	0-1	
			1	5	22.95	22.88	22.79	23.00	0-1	
			3	0	21.87	21.96	21.96	22.00	0-2	
			3	2	21.87	21.81	21.80	22.00	0-2	
		64-QAM	3	3	21.86	21.81	21.89	22.00	0-2	
			6	0	21.80	21.86	21.79	22.00	0-2	
			1	0	21.80	21.87	21.95	22.00	0-2	
			1	2	21.82	21.93	21.96	22.00	0-2	
			1	5	21.93	21.92	21.83	22.00	0-2	
			3	0	20.85	20.80	20.96	21.00	0-3	
256-QAM		3	2	20.92	20.90	20.80	21.00	0-3		
		3	3	20.94	20.77	20.80	21.00	0-3		
		6	0	20.82	20.88	20.93	21.00	0-3		
		1	0	18.94	18.84	18.94	19.00	0-5		
		1	2	18.96	18.80	18.86	19.00	0-5		
		1	5	18.77	18.95	18.79	19.00	0-5		
1.4	256-QAM	3	0	18.94	18.81	18.92	19.00	0-5		
		3	2	18.86	18.82	18.81	19.00	0-5		
		3	3	18.91	18.80	18.91	19.00	0-5		
		6	0	18.85	18.91	18.82	19.00	0-5		

Unless otherwise stated the results shown in this test report refer only to the sample(s) tested and such sample(s) are retained for 90 days only.

除非另有說明，此報告結果僅對測試之樣品負責，同時此樣品僅保留90天。本報告未經本公司書面許可，不可部份複製。

This document is issued by the Company subject to its General Conditions of Service printed overleaf, available on request or accessible at <http://www.sgs.com.tw/Terms-and-Conditions> and for electronic format documents, subject to Terms and Conditions for Electronic Documents at <http://www.sgs.com.tw/Terms-and-Conditions>. Attention is drawn to the limitation of liability, indemnification and jurisdiction issues defined therein. Any holder of this document is advised that information contained hereon reflects the Company's findings at the time of its intervention only and within the limits of Client's instructions, if any. The Company's sole responsibility is to its Client and this document does not exonerate parties to a transaction from exercising all their rights and obligations under the transaction documents. This document cannot be reproduced except in full, without prior written approval of the Company. Any unauthorized alteration, forgery or falsification of the content or appearance of this document is unlawful and offenders may be prosecuted to the fullest extent of the law.

Notebook mode
Tx8-LTE TDD Band 42 / Band 48 power table:

LTE Band 42								
BW(Mhz)	Modulation	RB Size	RB Offset	Conducted power (dBm)			Target Power + Max. Tolerance (dBm)	MPR Allowed per 3GPP(dB)
Frequency (MHz)				3560	3575	3590		
Channel				43190	43340	43490		
20	QPSK	1	0	23.75	23.79	23.69	24.00	0
		1	50	23.65	23.62	23.63	24.00	0
		1	99	23.71	23.61	23.60	24.00	0
		50	0	22.55	22.67	22.66	23.00	0-1
		50	25	22.68	22.73	22.71	23.00	0-1
		50	50	22.64	22.65	22.58	23.00	0-1
		100	0	22.57	22.62	22.59	23.00	0-1
	16-QAM	1	0	22.67	22.71	22.64	23.00	0-1
		1	50	22.68	22.63	22.61	23.00	0-1
		1	99	22.62	22.57	22.59	23.00	0-1
		50	0	21.65	21.64	21.54	22.00	0-2
		50	25	21.60	21.65	21.66	22.00	0-2
		50	50	21.67	21.69	21.73	22.00	0-2
		100	0	21.66	21.66	21.55	22.00	0-2
	64-QAM	1	0	21.73	21.62	21.73	22.00	0-2
		1	50	21.56	21.58	21.54	22.00	0-2
		1	99	21.62	21.62	21.60	22.00	0-2
		50	0	20.69	20.56	20.57	21.00	0-3
		50	25	20.67	20.64	20.66	21.00	0-3
		50	50	20.61	20.67	20.72	21.00	0-3
		100	0	20.56	20.58	20.63	21.00	0-3
	256-QAM	1	0	18.63	18.73	18.68	19.00	0-5
		1	50	18.70	18.72	18.63	19.00	0-5
		1	99	18.65	18.63	18.73	19.00	0-5
		50	0	18.60	18.61	18.65	19.00	0-5
		50	25	18.65	18.71	18.63	19.00	0-5
		50	50	18.62	18.70	18.59	19.00	0-5
		100	0	18.68	18.61	18.59	19.00	0-5
Frequency (MHz)				3407.5	3453.8	3592.5	Target Power + Max. Tolerance (dBm)	MPR Allowed per 3GPP(dB)
Channel				41665	42128	43515		
15	QPSK	1	0	23.62	23.63	23.54	24.00	0
		1	36	23.65	23.65	23.65	24.00	0
		1	74	23.65	23.58	23.70	24.00	0
		36	0	22.68	22.58	22.64	23.00	0-1
		36	18	22.68	22.70	22.55	23.00	0-1
		36	37	22.63	22.72	22.66	23.00	0-1
		75	0	22.60	22.72	22.72	23.00	0-1
	16-QAM	1	0	22.58	22.64	22.72	23.00	0-1
		1	36	22.69	22.56	22.69	23.00	0-1
		1	74	22.66	22.55	22.56	23.00	0-1
		36	0	21.65	21.57	21.73	22.00	0-2
		36	18	21.69	21.69	21.62	22.00	0-2
		36	37	21.54	21.71	21.60	22.00	0-2
		75	0	21.54	21.56	21.63	22.00	0-2
	64-QAM	1	0	21.71	21.58	21.72	22.00	0-2
		1	36	21.59	21.55	21.57	22.00	0-2
		1	74	21.58	21.67	21.71	22.00	0-2
		36	0	20.64	20.64	20.67	21.00	0-3
		36	18	20.64	20.55	20.66	21.00	0-3
		36	37	20.64	20.67	20.56	21.00	0-3
		75	0	20.58	20.67	20.62	21.00	0-3
	256-QAM	1	0	18.64	18.60	18.65	19.00	0-5
		1	36	18.72	18.69	18.70	19.00	0-5
		1	74	18.62	18.71	18.66	19.00	0-5
		36	0	18.64	18.64	18.73	19.00	0-5
		36	18	18.70	18.63	18.71	19.00	0-5
		36	37	18.73	18.62	18.63	19.00	0-5
		75	0	18.58	18.70	18.54	19.00	0-5

Unless otherwise stated the results shown in this test report refer only to the sample(s) tested and such sample(s) are retained for 90 days only.

除非另有說明，此報告結果僅對測試之樣品負責，同時此樣品僅保留90天。本報告未經本公司書面許可，不可部份複製。

This document is issued by the Company subject to its General Conditions of Service printed overleaf, available on request or accessible at <http://www.sgs.com.tw/Terms-and-Conditions> and for electronic format documents, subject to Terms and Conditions for Electronic Documents at <http://www.sgs.com.tw/Terms-and-Conditions>. Attention is drawn to the limitation of liability, indemnification and jurisdiction issues defined therein. Any holder of this document is advised that information contained hereon reflects the Company's findings at the time of its intervention only and within the limits of Client's instructions, if any. The Company's sole responsibility is to its Client and this document does not exonerate parties to a transaction from exercising all their rights and obligations under the transaction documents. This document cannot be reproduced except in full, without prior written approval of the Company. Any unauthorized alteration, forgery or falsification of the content or appearance of this document is unlawful and offenders may be prosecuted to the fullest extent of the law.

LTE Band 42										
BW(Mhz)	Modulation	RB Size	RB Offset	Conducted power (dBm)			Target Power + Max. Tolerance (dBm)	MPR Allowed per 3GPP(dB)		
Frequency (MHz)			3405	3452.5	3595					
Channel			41640	42115	43540					
10	QPSK	1	0	23.59	23.67	23.56	24.00	0		
		1	25	23.59	23.55	23.73	24.00	0		
		1	49	23.63	23.59	23.69	24.00	0		
		25	0	22.60	22.73	22.58	23.00	0-1		
		25	12	22.60	22.64	22.66	23.00	0-1		
		25	25	22.72	22.71	22.67	23.00	0-1		
	16-QAM	50	0	22.60	22.73	22.63	23.00	0-1		
		1	0	22.73	22.64	22.55	23.00	0-1		
		1	25	22.60	22.57	22.69	23.00	0-1		
		1	49	22.56	22.70	22.71	23.00	0-1		
		25	0	21.62	21.57	21.54	22.00	0-2		
		25	12	21.61	21.65	21.64	22.00	0-2		
	64-QAM	25	25	21.68	21.59	21.73	22.00	0-2		
		50	0	21.67	21.54	21.72	22.00	0-2		
		1	0	21.56	21.69	21.64	22.00	0-2		
		1	25	21.62	21.72	21.59	22.00	0-2		
		1	49	21.71	21.73	21.64	22.00	0-2		
		25	0	20.62	20.64	20.56	21.00	0-3		
	256-QAM	25	12	20.61	20.68	20.59	21.00	0-3		
		25	25	20.68	20.61	20.69	21.00	0-3		
		50	0	20.63	20.55	20.72	21.00	0-3		
		1	0	18.65	18.70	18.55	19.00	0-5		
		1	25	18.70	18.56	18.65	19.00	0-5		
		1	49	18.70	18.67	18.62	19.00	0-5		
	5	QPSK	25	0	18.54	18.62	18.57	19.00	0-5	
			25	12	18.68	18.72	18.56	19.00	0-5	
			25	25	18.58	18.71	18.67	19.00	0-5	
			50	0	18.57	18.66	18.73	19.00	0-5	
			Frequency (MHz)			3402.5	3451.3	3597.5	Target Power + Max. Tolerance (dBm)	MPR Allowed per 3GPP(dB)
			Channel			41615	42103	43565		
5		QPSK	1	0	23.73	23.61	23.72	24.00		
			1	12	23.57	23.59	23.71	24.00	0	
			1	24	23.71	23.73	23.65	24.00	0	
			12	0	22.58	22.65	22.63	23.00	0-1	
			12	6	22.67	22.55	22.73	23.00	0-1	
			12	13	22.68	22.71	22.67	23.00	0-1	
		16-QAM	25	0	22.68	22.68	22.54	23.00	0-1	
			1	0	22.61	22.69	22.63	23.00	0-1	
			1	12	22.66	22.72	22.67	23.00	0-1	
			1	24	22.62	22.55	22.72	23.00	0-1	
			12	0	21.61	21.69	21.57	22.00	0-2	
			12	6	21.60	21.62	21.55	22.00	0-2	
		64-QAM	12	13	21.65	21.62	21.62	22.00	0-2	
			25	0	21.61	21.62	21.70	22.00	0-2	
			1	0	21.57	21.72	21.57	22.00	0-2	
			1	12	21.64	21.56	21.73	22.00	0-2	
			1	24	21.73	21.62	21.58	22.00	0-2	
			12	0	20.59	20.72	20.63	21.00	0-3	
		256-QAM	12	6	20.65	20.54	20.70	21.00	0-3	
			12	13	20.65	20.64	20.70	21.00	0-3	
25			0	20.72	20.61	20.64	21.00	0-3		
1			0	18.72	18.58	18.70	19.00	0-5		
1			12	18.56	18.73	18.71	19.00	0-5		
1			24	18.63	18.55	18.60	19.00	0-5		
12	0		18.67	18.61	18.62	19.00	0-5			
12	6		18.54	18.72	18.59	19.00	0-5			
12	13	18.58	18.69	18.64	19.00	0-5				
25	0	18.69	18.66	18.73	19.00	0-5				

Unless otherwise stated the results shown in this test report refer only to the sample(s) tested and such sample(s) are retained for 90 days only.

除非另有說明，此報告結果僅對測試之樣品負責，同時此樣品僅保留90天。本報告未經本公司書面許可，不可部份複製。

This document is issued by the Company subject to its General Conditions of Service printed overleaf, available on request or accessible at <http://www.sgs.com.tw/Terms-and-Conditions> and for electronic format documents, subject to Terms and Conditions for Electronic Documents at <http://www.sgs.com.tw/Terms-and-Conditions>. Attention is drawn to the limitation of liability, indemnification and jurisdiction issues defined therein. Any holder of this document is advised that information contained hereon reflects the Company's findings at the time of its intervention only and within the limits of Client's instructions, if any. The Company's sole responsibility is to its Client and this document does not exonerate parties to a transaction from exercising all their rights and obligations under the transaction documents. This document cannot be reproduced except in full, without prior written approval of the Company. Any unauthorized alteration, forgery or falsification of the content or appearance of this document is unlawful and offenders may be prosecuted to the fullest extent of the law.

LTE Band 48									
BW(Mhz)	Modulation	RB Size	RB Offset	Conducted power (dBm)				Target Power + Max. Tolerance (dBm)	MPR Allowed per 3GPP(dB)
Frequency (MHz)				3560	3603.3	3646.7	3690		
Channel				55340	55773	56207	56640		
20	QPSK	1	0	21.53	21.58	21.51	21.45	22.00	0
		1	50	21.46	21.47	21.44	21.32	22.00	0
		1	99	21.39	21.43	21.46	21.43	22.00	0
		50	0	20.35	20.47	20.48	20.37	21.00	0-1
		50	25	20.42	20.41	20.50	20.39	21.00	0-1
		50	50	20.56	20.55	20.53	20.45	21.00	0-1
		100	0	20.40	20.36	20.38	20.46	21.00	0-1
	16-QAM	1	0	20.42	20.42	20.45	20.50	21.00	0-1
		1	50	20.52	20.40	20.48	20.43	21.00	0-1
		1	99	20.39	20.43	20.47	20.56	21.00	0-1
		50	0	19.49	19.42	19.39	19.55	20.00	0-2
		50	25	19.37	19.42	19.52	19.48	20.00	0-2
		50	50	19.44	19.40	19.40	19.39	20.00	0-2
		100	0	19.46	19.37	19.54	19.54	20.00	0-2
	64-QAM	1	0	19.53	19.54	19.53	19.55	20.00	0-2
		1	50	19.46	19.50	19.40	19.41	20.00	0-2
		1	99	19.42	19.54	19.40	19.42	20.00	0-2
		50	0	18.43	18.49	18.52	18.54	19.00	0-3
		50	25	18.46	18.46	18.54	18.52	19.00	0-3
		50	50	18.40	18.56	18.55	18.37	19.00	0-3
		100	0	18.37	18.42	18.38	18.52	19.00	0-3
	256-QAM	1	0	16.37	16.46	16.50	16.37	17.00	0-5
		1	50	16.56	16.42	16.37	16.50	17.00	0-5
		1	99	16.38	16.39	16.38	16.41	17.00	0-5
		50	0	16.47	16.52	16.42	16.39	17.00	0-5
		50	25	16.53	16.50	16.52	16.45	17.00	0-5
		50	50	16.46	16.47	16.53	16.52	17.00	0-5
100		0	16.46	16.51	16.49	16.54	17.00	0-5	
Frequency (MHz)				3557.5	3602.5	3647.5	3692.5	Target Power + Max. Tolerance (dBm)	MPR Allowed per 3GPP(dB)
Channel				55315	55765	56215	56665		
15	QPSK	1	0	21.45	21.37	21.54	21.56	22.00	0
		1	36	21.50	21.41	21.41	21.38	22.00	0
		1	74	21.56	21.37	21.56	21.37	22.00	0
		36	0	20.56	20.37	20.44	20.50	21.00	0-1
		36	18	20.44	20.49	20.44	20.40	21.00	0-1
		36	37	20.47	20.39	20.41	20.54	21.00	0-1
		75	0	20.45	20.42	20.42	20.55	21.00	0-1
	16-QAM	1	0	20.40	20.54	20.47	20.52	21.00	0-1
		1	36	20.54	20.45	20.52	20.56	21.00	0-1
		1	74	20.55	20.38	20.55	20.52	21.00	0-1
		36	0	19.55	19.53	19.37	19.50	20.00	0-2
		36	18	19.47	19.44	19.56	19.41	20.00	0-2
		36	37	19.54	19.46	19.44	19.55	20.00	0-2
		75	0	19.56	19.54	19.53	19.45	20.00	0-2
	64-QAM	1	0	19.55	19.38	19.43	19.49	20.00	0-2
		1	36	19.51	19.45	19.41	19.51	20.00	0-2
		1	74	19.40	19.47	19.54	19.44	20.00	0-2
		36	0	18.51	18.43	18.47	18.52	19.00	0-3
		36	18	18.40	18.46	18.38	18.46	19.00	0-3
		36	37	18.50	18.43	18.40	18.56	19.00	0-3
		75	0	18.50	18.50	18.49	18.47	19.00	0-3
	256-QAM	1	0	16.41	16.38	16.54	16.49	17.00	0-5
		1	36	16.53	16.52	16.40	16.50	17.00	0-5
		1	74	16.47	16.45	16.42	16.47	17.00	0-5
		36	0	16.52	16.53	16.55	16.43	17.00	0-5
		36	18	16.55	16.38	16.43	16.46	17.00	0-5
		36	37	16.43	16.48	16.39	16.48	17.00	0-5
75		0	16.53	16.46	16.54	16.55	17.00	0-5	

Unless otherwise stated the results shown in this test report refer only to the sample(s) tested and such sample(s) are retained for 90 days only.

除非另有說明，此報告結果僅對測試之樣品負責，同時此樣品僅保留90天。本報告未經本公司書面許可，不可部份複製。

This document is issued by the Company subject to its General Conditions of Service printed overleaf, available on request or accessible at <http://www.sgs.com.tw/Terms-and-Conditions> and for electronic format documents, subject to Terms and Conditions for Electronic Documents at <http://www.sgs.com.tw/Terms-and-Conditions>. Attention is drawn to the limitation of liability, indemnification and jurisdiction issues defined therein. Any holder of this document is advised that information contained hereon reflects the Company's findings at the time of its intervention only and within the limits of Client's instructions, if any. The Company's sole responsibility is to its Client and this document does not exonerate parties to a transaction from exercising all their rights and obligations under the transaction documents. This document cannot be reproduced except in full, without prior written approval of the Company. Any unauthorized alteration, forgery or falsification of the content or appearance of this document is unlawful and offenders may be prosecuted to the fullest extent of the law.

LTE Band 48										
BW(MHz)	Modulation	RB Size	RB Offset	Conducted power (dBm)				Target Power + Max. Tolerance (dBm)	MPR Allowed per 3GPP(dB)	
Frequency (MHz)			3555	3601.7	3648.3	3695				
Channel			55290	55757	56223	56690				
10	QPSK	1	0	21.45	21.39	21.54	21.39	22.00	0	
		1	25	21.55	21.44	21.55	21.46	22.00	0	
		1	49	21.49	21.41	21.54	21.42	22.00	0	
		25	0	20.56	20.40	20.41	20.41	21.00	0-1	
		25	12	20.54	20.54	20.44	20.38	21.00	0-1	
		25	25	20.55	20.43	20.53	20.53	21.00	0-1	
		50	0	20.52	20.47	20.38	20.38	21.00	0-1	
		1	0	20.51	20.40	20.42	20.40	21.00	0-1	
		1	25	20.52	20.40	20.41	20.43	21.00	0-1	
		1	49	20.54	20.44	20.42	20.50	21.00	0-1	
	16-QAM	25	0	19.45	19.52	19.37	19.52	20.00	0-2	
		25	12	19.45	19.45	19.50	19.50	20.00	0-2	
		25	25	19.45	19.39	19.37	19.56	20.00	0-2	
		50	0	19.46	19.45	19.45	19.56	20.00	0-2	
		1	0	19.45	19.52	19.39	19.50	20.00	0-2	
		1	25	19.40	19.45	19.54	19.49	20.00	0-2	
		1	49	19.44	19.44	19.43	19.55	20.00	0-2	
		25	0	18.38	18.51	18.51	18.49	19.00	0-3	
		25	12	18.48	18.55	18.54	18.52	19.00	0-3	
		25	25	18.53	18.41	18.42	18.54	19.00	0-3	
	64-QAM	50	0	18.53	18.41	18.52	18.55	19.00	0-3	
		1	0	16.47	16.45	16.53	16.56	17.00	0-5	
		1	25	16.37	16.42	16.40	16.53	17.00	0-5	
		1	49	16.39	16.46	16.46	16.44	17.00	0-5	
		25	0	16.50	16.48	16.53	16.53	17.00	0-5	
		25	12	16.55	16.38	16.38	16.46	17.00	0-5	
		25	25	16.46	16.42	16.37	16.51	17.00	0-5	
		50	0	16.49	16.51	16.51	16.56	17.00	0-5	
		Frequency (MHz)			3552.5	3600.8	3649.2	3697.5	Target Power + Max. Tolerance (dBm)	MPR Allowed per 3GPP(dB)
		Channel			55265	55748	56232	56715		
	5	QPSK	1	0	21.38	21.37	21.46	21.49	22.00	0
			1	12	21.39	21.40	21.37	21.40	22.00	0
			1	24	21.54	21.45	21.53	21.52	22.00	0
			12	0	20.49	20.47	20.47	20.46	21.00	0-1
			12	6	20.41	20.53	20.40	20.40	21.00	0-1
			12	13	20.54	20.42	20.50	20.53	21.00	0-1
			25	0	20.43	20.50	20.56	20.50	21.00	0-1
			1	0	20.54	20.53	20.45	20.46	21.00	0-1
			1	12	20.52	20.53	20.46	20.38	21.00	0-1
			1	24	20.53	20.41	20.44	20.48	21.00	0-1
16-QAM		12	0	19.52	19.37	19.53	19.43	20.00	0-2	
		12	6	19.41	19.48	19.54	19.42	20.00	0-2	
		12	13	19.39	19.49	19.50	19.46	20.00	0-2	
		25	0	19.52	19.54	19.49	19.52	20.00	0-2	
		1	0	19.48	19.41	19.52	19.49	20.00	0-2	
		1	12	19.45	19.54	19.39	19.38	20.00	0-2	
		1	24	19.42	19.47	19.56	19.50	20.00	0-2	
		12	0	18.37	18.44	18.47	18.45	19.00	0-3	
		12	6	18.42	18.40	18.37	18.41	19.00	0-3	
		12	13	18.40	18.46	18.42	18.42	19.00	0-3	
64-QAM		25	0	18.53	18.45	18.43	18.46	19.00	0-3	
		1	0	16.48	16.44	16.43	16.53	17.00	0-5	
		1	12	16.37	16.39	16.43	16.49	17.00	0-5	
		12	0	16.44	16.46	16.44	16.55	17.00	0-5	
		12	6	16.37	16.42	16.38	16.50	17.00	0-5	
		12	13	16.42	16.49	16.51	16.46	17.00	0-5	
		25	0	16.37	16.55	16.49	16.45	17.00	0-5	

Unless otherwise stated the results shown in this test report refer only to the sample(s) tested and such sample(s) are retained for 90 days only.

除非另有說明，此報告結果僅對測試之樣品負責，同時此樣品僅保留90天。本報告未經本公司書面許可，不可部份複製。

This document is issued by the Company subject to its General Conditions of Service printed overleaf, available on request or accessible at <http://www.sgs.com.tw/Terms-and-Conditions> and for electronic format documents, subject to Terms and Conditions for Electronic Documents at <http://www.sgs.com.tw/Terms-and-Conditions>. Attention is drawn to the limitation of liability, indemnification and jurisdiction issues defined therein. Any holder of this document is advised that information contained hereon reflects the Company's findings at the time of its intervention only and within the limits of Client's instructions, if any. The Company's sole responsibility is to its Client and this document does not exonerate parties to a transaction from exercising all their rights and obligations under the transaction documents. This document cannot be reproduced except in full, without prior written approval of the Company. Any unauthorized alteration, forgery or falsification of the content or appearance of this document is unlawful and offenders may be prosecuted to the fullest extent of the law.

Notebook mode

Tx8-5G NR n2 / n7 / n41 / n66 power table:

5G NR n2								
BW(MHz)	Modulation	RB Size	RB Offset	Conducted power (dBm)			Target Power + Max. Tolerance (dBm)	MPR Allowed per 3GPP(dB)
Frequency (MHz)				1860	1880	1900		
Channel				372000	376000	380000		
20	Pi/2 BPSK	1	1	23.18	23.04	23.05	24.00	0
		1	53	22.99	22.87	22.92	24.00	0
		1	104	22.89	22.94	22.91	24.00	0
		50	0	22.85	22.97	22.89	24.00	0
		50	28	22.99	22.88	22.97	24.00	0
		50	56	23.02	22.98	23.03	24.00	0
	QPSK	100	0	22.40	22.51	22.46	23.50	0-0.5
		1	1	23.03	23.02	23.00	24.00	0
		1	53	22.90	22.96	22.93	24.00	0
		1	104	22.87	22.93	22.88	24.00	0
		50	0	23.03	22.85	22.94	24.00	0
		50	28	23.00	23.00	22.96	24.00	0
	16-QAM	50	56	22.85	22.99	23.02	24.00	0
		100	0	21.93	21.95	21.92	23.00	0-1
		1	1	21.96	21.93	21.93	23.00	0-1
64QAM	1	1	20.45	20.38	20.45	21.50	0-2.5	
256-QAM	1	1	18.53	18.43	18.38	19.50	0-4.5	
Frequency (MHz)				1857.5	1880	1902.5	Target Power + Max. Tolerance (dBm)	MPR Allowed per 3GPP(dB)
Channel				371500	376000	380500		
15	Pi/2 BPSK	1	1	22.93	23.00	22.92	24.00	0
Frequency (MHz)				1855	1880	1905	Target Power + Max. Tolerance (dBm)	MPR Allowed per 3GPP(dB)
Channel				371000	376000	381000		
10	Pi/2 BPSK	1	1	22.87	22.92	22.95	24.00	0
Frequency (MHz)				1852.5	1880	1907.5	Target Power + Max. Tolerance (dBm)	MPR Allowed per 3GPP(dB)
Channel				370500	376000	381500		
5	Pi/2 BPSK	1	1	22.89	22.91	22.97	24.00	0

Unless otherwise stated the results shown in this test report refer only to the sample(s) tested and such sample(s) are retained for 90 days only.

除非另有說明，此報告結果僅對測試之樣品負責，同時此樣品僅保留90天。本報告未經本公司書面許可，不可部份複製。

This document is issued by the Company subject to its General Conditions of Service printed overleaf, available on request or accessible at <http://www.sgs.com.tw/Terms-and-Conditions> and for electronic format documents, subject to Terms and Conditions for Electronic Documents at <http://www.sgs.com.tw/Terms-and-Conditions>. Attention is drawn to the limitation of liability, indemnification and jurisdiction issues defined therein. Any holder of this document is advised that information contained hereon reflects the Company's findings at the time of its intervention only and within the limits of Client's instructions, if any. The Company's sole responsibility is to its Client and this document does not exonerate parties to a transaction from exercising all their rights and obligations under the transaction documents. This document cannot be reproduced except in full, without prior written approval of the Company. Any unauthorized alteration, forgery or falsification of the content or appearance of this document is unlawful and offenders may be prosecuted to the fullest extent of the law.

5G NR n7								
BW(Mhz)	Modulation	RB Size	RB Offset	Conducted power (dBm)			Target Power + Max. Tolerance (dBm)	MPR Allowed per 3GPP(dB)
Frequency (MHz)				2510	2535	2560		
Channel				502000	507000	512000		
20	Pi/2 BPSK	1	1	23.53	23.48	23.52	24.00	0
		1	53	23.46	23.43	23.40	24.00	0
		1	104	23.43	23.26	23.06	24.00	0
		50	0	23.46	23.51	23.50	24.00	0
		50	28	23.39	23.41	23.49	24.00	0
		50	56	23.43	23.50	23.48	24.00	0
		100	0	22.99	22.87	22.95	23.50	0-0.5
	QPSK	1	1	23.37	23.47	23.45	24.00	0
		1	53	23.46	23.40	23.49	24.00	0
		1	104	23.39	23.33	23.44	24.00	0
		50	0	23.43	23.37	23.36	24.00	0
		50	28	23.49	23.38	23.37	24.00	0
		50	56	23.33	23.42	23.47	24.00	0
	100	0	22.33	22.47	22.46	23.00	0-1	
16-QAM	1	1	22.43	22.33	22.36	23.00	0-1	
64QAM	1	1	21.02	20.97	20.88	21.50	0-2.5	
256-QAM	1	1	18.93	19.00	18.85	19.50	0-4.5	
Frequency (MHz)				2507.5	2535	2562.5	Target Power + Max. Tolerance (dBm)	MPR Allowed per 3GPP(dB)
Channel				501500	507000	512500		
15	Pi/2 BPSK	1	1	23.33	23.52	23.34	24.00	0
Frequency (MHz)				2505	2535	2565	Target Power + Max. Tolerance (dBm)	MPR Allowed per 3GPP(dB)
Channel				501000	507000	513000		
10	Pi/2 BPSK	1	1	23.33	23.40	23.35	24.00	0
Frequency (MHz)				2502.5	2535	2567.5	Target Power + Max. Tolerance (dBm)	MPR Allowed per 3GPP(dB)
Channel				500500	507000	513500		
5	Pi/2 BPSK	1	1	23.41	23.38	23.44	24.00	0

Unless otherwise stated the results shown in this test report refer only to the sample(s) tested and such sample(s) are retained for 90 days only.

除非另有說明，此報告結果僅對測試之樣品負責，同時此樣品僅保留90天。本報告未經本公司書面許可，不可部份複製。

This document is issued by the Company subject to its General Conditions of Service printed overleaf, available on request or accessible at <http://www.sgs.com.tw/Terms-and-Conditions> and for electronic format documents, subject to Terms and Conditions for Electronic Documents at <http://www.sgs.com.tw/Terms-and-Conditions>. Attention is drawn to the limitation of liability, indemnification and jurisdiction issues defined therein. Any holder of this document is advised that information contained hereon reflects the Company's findings at the time of its intervention only and within the limits of Client's instructions, if any. The Company's sole responsibility is to its Client and this document does not exonerate parties to a transaction from exercising all their rights and obligations under the transaction documents. This document cannot be reproduced except in full, without prior written approval of the Company. Any unauthorized alteration, forgery or falsification of the content or appearance of this document is unlawful and offenders may be prosecuted to the fullest extent of the law.

5G NR n41								
BW(MHz)	Modulation	RB Size	RB Offset	Conducted power (dBm)			Target Power + Max. Tolerance (dBm)	MPR Allowed per 3GPP(dB)
Frequency (MHz)				2546.01	2592.99	2640		
Channel				509202	518598	528000		
15	Pi/2 BPSK	1	1	23.98	23.35	23.20	24.00	0
		1	137	23.29	23.18	22.78	24.00	0
		1	271	23.30	23.29	23.18	24.00	0
		135	0	23.31	23.33	23.24	24.00	0
		135	69	23.14	23.30	23.13	24.00	0
		135	138	23.16	23.17	23.15	24.00	0
		270	0	22.78	22.82	22.73	23.50	0-0.5
	QPSK	1	1	23.23	23.23	23.17	24.00	0
		1	137	23.33	23.29	23.29	24.00	0
		1	271	23.18	23.19	23.14	24.00	0
		135	0	23.26	23.33	23.27	24.00	0
		135	69	23.24	23.25	23.18	24.00	0
		135	138	23.14	23.30	23.25	24.00	0
	270	0	22.24	22.28	22.24	23.00	0-1	
16-QAM	1	1	22.23	22.22	22.33	23.00	0-1	
64QAM	1	1	20.70	20.66	20.74	21.50	0-2.5	
256-QAM	1	1	18.64	18.67	18.76	19.50	0-4.5	
Frequency (MHz)				2541	2592.99	2644.98	Target Power + Max. Tolerance (dBm)	MPR Allowed per 3GPP(dB)
Channel				508200	518598	528996		
90	Pi/2 BPSK	1	1	23.29	23.22	23.25	24.00	0
Frequency (MHz)				2536.02	2592.99	2649.99	Target Power + Max. Tolerance (dBm)	MPR Allowed per 3GPP(dB)
Channel				507204	518598	529998		
80	Pi/2 BPSK	1	1	23.27	23.19	23.26	24.00	0
Frequency (MHz)				2526	2592.99	2659.98	Target Power + Max. Tolerance (dBm)	Target Power + Max. Tolerance (dBm)
Channel				505200	518598	531996		
60	Pi/2 BPSK	1	1	23.26	23.18	23.16	24.00	0
Frequency (MHz)				2521.02	2592.99	2664.99	Target Power + Max. Tolerance (dBm)	MPR Allowed per 3GPP(dB)
Channel				504204	518598	532998		
50	Pi/2 BPSK	1	1	23.24	23.22	23.15	24.00	0
Frequency (MHz)				2516.01	2592.99	2670	Target Power + Max. Tolerance (dBm)	Target Power + Max. Tolerance (dBm)
Channel				503202	518598	534000		
40	Pi/2 BPSK	1	1	23.28	23.22	23.15	24.00	0
Frequency (MHz)				2506.02	2592.99	2679.99	Target Power + Max. Tolerance (dBm)	MPR Allowed per 3GPP(dB)
Channel				501204	518598	535998		
20	Pi/2 BPSK	1	1	23.22	23.14	23.14	24.00	0

Unless otherwise stated the results shown in this test report refer only to the sample(s) tested and such sample(s) are retained for 90 days only.

除非另有說明，此報告結果僅對測試之樣品負責，同時此樣品僅保留90天。本報告未經本公司書面許可，不可部份複製。

This document is issued by the Company subject to its General Conditions of Service printed overleaf, available on request or accessible at <http://www.sgs.com.tw/Terms-and-Conditions> and for electronic format documents, subject to Terms and Conditions for Electronic Documents at <http://www.sgs.com.tw/Terms-and-Conditions>. Attention is drawn to the limitation of liability, indemnification and jurisdiction issues defined therein. Any holder of this document is advised that information contained hereon reflects the Company's findings at the time of its intervention only and within the limits of Client's instructions, if any. The Company's sole responsibility is to its Client and this document does not exonerate parties to a transaction from exercising all their rights and obligations under the transaction documents. This document cannot be reproduced except in full, without prior written approval of the Company. Any unauthorized alteration, forgery or falsification of the content or appearance of this document is unlawful and offenders may be prosecuted to the fullest extent of the law.

5G NR n41(HPUE)								
BW(MHz)	Modulation	RB Size	RB Offset	Conducted power (dBm)			Target Power + Max. Tolerance (dBm)	MPR Allowed per 3GPP(dB)
Frequency (MHz)			2546.01	2592.99	2640			
Channel			509202	518598	528000			
15	Pi/2 BPSK	1	1	25.61	25.59	25.85	27.00	0
		1	137	25.44	25.49	25.50	27.00	0
		1	271	25.43	25.45	25.48	27.00	0
		135	0	25.49	25.46	25.43	27.00	0
		135	69	25.48	25.54	25.40	27.00	0
		135	138	25.54	25.49	25.58	27.00	0
		270	0	24.93	25.02	24.92	26.50	0-0.5
	QPSK	1	1	25.47	25.48	25.56	27.00	0
		1	137	25.51	25.44	25.44	27.00	0
		1	271	25.57	25.45	25.55	27.00	0
		135	0	25.56	25.40	25.54	27.00	0
		135	69	25.40	25.50	25.41	27.00	0
		135	138	25.57	25.57	25.40	27.00	0
	270	0	24.54	24.48	24.49	26.00	0-1	
16-QAM	1	1	24.53	24.49	24.50	26.00	0-1	
64QAM	1	1	22.90	23.08	22.96	24.50	0-2.5	
256-QAM	1	1	20.95	21.01	21.06	22.50	0-4.5	
Frequency (MHz)							Target Power + Max. Tolerance (dBm)	MPR Allowed per 3GPP(dB)
Channel								
90	Pi/2 BPSK	1	1	25.42	25.52	25.49	27.00	0
Frequency (MHz)							Target Power + Max. Tolerance (dBm)	MPR Allowed per 3GPP(dB)
Channel								
80	Pi/2 BPSK	1	1	25.46	25.44	25.48	27.00	0
Frequency (MHz)							Target Power + Max. Tolerance (dBm)	Target Power + Max. Tolerance (dBm)
Channel								
60	Pi/2 BPSK	1	1	25.55	25.39	25.49	27.00	0
Frequency (MHz)							Target Power + Max. Tolerance (dBm)	MPR Allowed per 3GPP(dB)
Channel								
50	Pi/2 BPSK	1	1	25.57	25.39	25.45	27.00	0
Frequency (MHz)							Target Power + Max. Tolerance (dBm)	Target Power + Max. Tolerance (dBm)
Channel								
40	Pi/2 BPSK	1	1	25.54	25.46	25.58	27.00	0
Frequency (MHz)							Target Power + Max. Tolerance (dBm)	MPR Allowed per 3GPP(dB)
Channel								
20	Pi/2 BPSK	1	1	25.45	25.50	25.44	27.00	0

Unless otherwise stated the results shown in this test report refer only to the sample(s) tested and such sample(s) are retained for 90 days only.

除非另有說明，此報告結果僅對測試之樣品負責，同時此樣品僅保留90天。本報告未經本公司書面許可，不可部份複製。

This document is issued by the Company subject to its General Conditions of Service printed overleaf, available on request or accessible at <http://www.sgs.com.tw/Terms-and-Conditions> and for electronic format documents, subject to Terms and Conditions for Electronic Documents at <http://www.sgs.com.tw/Terms-and-Conditions>. Attention is drawn to the limitation of liability, indemnification and jurisdiction issues defined therein. Any holder of this document is advised that information contained hereon reflects the Company's findings at the time of its intervention only and within the limits of Client's instructions, if any. The Company's sole responsibility is to its Client and this document does not exonerate parties to a transaction from exercising all their rights and obligations under the transaction documents. This document cannot be reproduced except in full, without prior written approval of the Company. Any unauthorized alteration, forgery or falsification of the content or appearance of this document is unlawful and offenders may be prosecuted to the fullest extent of the law.

5G NR n66								
BW(Mhz)	Modulation	RB Size	RB Offset	Conducted power (dBm)			Target Power + Max. Tolerance (dBm)	MPR Allowed per 3GPP(dB)
Frequency (MHz)				1720	1745	1770		
Channel				344000	349000	354000		
20	Pi/2 BPSK	1	1	23.85	23.34	23.91	24.00	0
		1	53	23.74	23.79	23.77	24.00	0
		1	104	23.66	23.82	23.73	24.00	0
		50	0	23.68	23.76	23.78	24.00	0
		50	28	23.73	23.81	23.72	24.00	0
		50	56	23.65	23.71	23.66	24.00	0
		100	0	23.23	23.19	23.33	23.50	0-0.5
	QPSK	1	1	23.66	23.67	23.82	24.00	0
		1	53	23.80	23.76	23.68	24.00	0
		1	104	23.66	23.80	23.70	24.00	0
		50	0	23.82	23.68	23.70	24.00	0
		50	28	23.80	23.84	23.68	24.00	0
		50	56	23.65	23.70	23.83	24.00	0
	16-QAM	1	1	22.84	22.77	22.81	23.00	0-1
64QAM	1	1	21.32	21.28	21.24	21.50	0-2.5	
256-QAM	1	1	19.19	19.21	19.32	19.50	0-4.5	
Frequency (MHz)				1717.5	1745	1772.5	Target Power + Max. Tolerance (dBm)	MPR Allowed per 3GPP(dB)
Channel				343500	349000	354500		
15	Pi/2 BPSK	1	1	23.79	23.71	23.69	24.00	0
Frequency (MHz)				1715	1745	1775	Target Power + Max. Tolerance (dBm)	MPR Allowed per 3GPP(dB)
Channel				343000	349000	355000		
10	Pi/2 BPSK	1	1	23.67	23.68	23.81	24.00	0
Frequency (MHz)				1712.5	1745	1777.5	Target Power + Max. Tolerance (dBm)	MPR Allowed per 3GPP(dB)
Channel				342500	349000	355500		
5	Pi/2 BPSK	1	1	23.67	23.77	23.76	24.00	0

Unless otherwise stated the results shown in this test report refer only to the sample(s) tested and such sample(s) are retained for 90 days only.

除非另有說明，此報告結果僅對測試之樣品負責，同時此樣品僅保留90天。本報告未經本公司書面許可，不可部份複製。

This document is issued by the Company subject to its General Conditions of Service printed overleaf, available on request or accessible at <http://www.sgs.com.tw/Terms-and-Conditions> and for electronic format documents, subject to Terms and Conditions for Electronic Documents at <http://www.sgs.com.tw/Terms-and-Conditions>. Attention is drawn to the limitation of liability, indemnification and jurisdiction issues defined therein. Any holder of this document is advised that information contained hereon reflects the Company's findings at the time of its intervention only and within the limits of Client's instructions, if any. The Company's sole responsibility is to its Client and this document does not exonerate parties to a transaction from exercising all their rights and obligations under the transaction documents. This document cannot be reproduced except in full, without prior written approval of the Company. Any unauthorized alteration, forgery or falsification of the content or appearance of this document is unlawful and offenders may be prosecuted to the fullest extent of the law.

Tablet mode

Tx8-LTE FDD Band 2 / Band 7 / Band 66 power table:

LTE Band 2								
BW(Mhz)	Modulation	RB Size	RB Offset	Conducted power (dBm)			Target Power + Max. Tolerance (dBm)	MPR Allowed per 3GPP(dB)
Frequency (MHz)				1860	1880	1900		
Channel				18700	18900	19100		
20	QPSK	1	0	16.27	16.29	16.22	16.40	0
		1	50	16.14	16.02	16.03	16.40	0
		1	99	16.09	16.05	16.09	16.40	0
		50	0	16.03	16.19	16.11	16.40	0
		50	25	16.15	16.08	16.06	16.40	0
		50	50	16.03	16.16	16.17	16.40	0
	16-QAM	100	0	16.01	16.03	16.08	16.40	0
		1	0	16.18	16.14	16.19	16.40	0
		1	50	16.17	16.01	16.03	16.40	0
		1	99	16.02	16.13	16.14	16.40	0
		50	0	16.02	16.04	16.10	16.40	0
		50	25	16.03	16.08	16.12	16.40	0
	64-QAM	50	50	16.02	16.02	16.15	16.40	0
		100	0	16.04	16.12	16.19	16.40	0
		1	0	16.07	16.17	16.19	16.40	0
		1	50	16.12	16.11	16.12	16.40	0
		1	99	16.17	16.17	16.06	16.40	0
		50	0	16.13	16.11	16.09	16.40	0
	256-QAM	50	25	16.12	16.19	16.01	16.40	0
		50	50	16.18	16.20	16.18	16.40	0
		100	0	16.06	16.12	16.14	16.40	0
		1	0	16.17	16.11	16.07	16.40	0
		1	50	16.05	16.04	16.02	16.40	0
		1	99	16.09	16.11	16.06	16.40	0
Frequency (MHz)				1857.5	1880	1902.5	Target Power + Max. Tolerance (dBm)	MPR Allowed per 3GPP(dB)
Channel				18675	18900	19125		
15	QPSK	1	0	16.04	16.06	16.14	16.40	0
		1	36	16.01	16.20	16.12	16.40	0
		1	74	16.05	16.09	16.16	16.40	0
		36	0	16.19	16.14	16.18	16.40	0
		36	18	16.09	16.03	16.06	16.40	0
		36	37	16.03	16.01	16.06	16.40	0
	16-QAM	75	0	16.14	16.13	16.04	16.40	0
		1	0	16.17	16.06	16.06	16.40	0
		1	36	16.18	16.11	16.20	16.40	0
		1	74	16.17	16.17	16.18	16.40	0
		36	0	16.13	16.08	16.11	16.40	0
		36	18	16.05	16.11	16.05	16.40	0
	64-QAM	36	37	16.01	16.04	16.16	16.40	0
		75	0	16.12	16.16	16.19	16.40	0
		1	0	16.04	16.08	16.15	16.40	0
		1	36	16.20	16.02	16.05	16.40	0
		1	74	16.01	16.04	16.14	16.40	0
		36	0	16.18	16.06	16.19	16.40	0
	256-QAM	36	18	16.18	16.03	16.04	16.40	0
		36	37	16.04	16.05	16.10	16.40	0
		75	0	16.13	16.13	16.17	16.40	0
		1	0	16.10	16.07	16.04	16.40	0
		1	36	16.11	16.12	16.08	16.40	0
		1	74	16.07	16.01	16.03	16.40	0
Frequency (MHz)				1857.5	1880	1902.5	Target Power + Max. Tolerance (dBm)	MPR Allowed per 3GPP(dB)
Channel				18675	18900	19125		
15	QPSK	1	0	16.04	16.06	16.14	16.40	0
		1	36	16.01	16.20	16.12	16.40	0
		1	74	16.05	16.09	16.16	16.40	0
		36	0	16.19	16.14	16.18	16.40	0
		36	18	16.09	16.03	16.06	16.40	0
		36	37	16.03	16.01	16.06	16.40	0
	16-QAM	75	0	16.14	16.13	16.04	16.40	0
		1	0	16.17	16.06	16.06	16.40	0
		1	36	16.18	16.11	16.20	16.40	0
		1	74	16.17	16.17	16.18	16.40	0
		36	0	16.13	16.08	16.11	16.40	0
		36	18	16.05	16.11	16.05	16.40	0
	64-QAM	36	37	16.01	16.04	16.16	16.40	0
		75	0	16.12	16.16	16.19	16.40	0
		1	0	16.04	16.08	16.15	16.40	0
		1	36	16.20	16.02	16.05	16.40	0
		1	74	16.01	16.04	16.14	16.40	0
		36	0	16.18	16.06	16.19	16.40	0
	256-QAM	36	18	16.18	16.03	16.04	16.40	0
		36	37	16.04	16.05	16.10	16.40	0
		75	0	16.13	16.13	16.17	16.40	0
		1	0	16.10	16.07	16.04	16.40	0
		1	36	16.11	16.12	16.08	16.40	0
		1	74	16.07	16.01	16.03	16.40	0

Unless otherwise stated the results shown in this test report refer only to the sample(s) tested and such sample(s) are retained for 90 days only.

除非另有說明，此報告結果僅對測試之樣品負責，同時此樣品僅保留90天。本報告未經本公司書面許可，不可部份複製。

This document is issued by the Company subject to its General Conditions of Service printed overleaf, available on request or accessible at <http://www.sgs.com.tw/Terms-and-Conditions> and for electronic format documents, subject to Terms and Conditions for Electronic Documents at <http://www.sgs.com.tw/Terms-and-Conditions>. Attention is drawn to the limitation of liability, indemnification and jurisdiction issues defined therein. Any holder of this document is advised that information contained hereon reflects the Company's findings at the time of its intervention only and within the limits of Client's instructions, if any. The Company's sole responsibility is to its Client and this document does not exonerate parties to a transaction from exercising all their rights and obligations under the transaction documents. This document cannot be reproduced except in full, without prior written approval of the Company. Any unauthorized alteration, forgery or falsification of the content or appearance of this document is unlawful and offenders may be prosecuted to the fullest extent of the law.

LTE Band 2									
BW(Mhz)	Modulation	RB Size	RB Offset	Conducted power (dBm)			Target Power + Max. Tolerance (dBm)	MPR Allowed per 3GPP(dB)	
Frequency (MHz)			1855	1880	1905				
Channel			18650	18900	19150				
10	QPSK	1	0	16.15	16.05	16.08	16.40	0	
		1	25	16.20	16.09	16.20	16.40	0	
		1	49	16.07	16.18	16.09	16.40	0	
		25	0	16.05	16.12	16.13	16.40	0	
		25	12	16.12	16.11	16.13	16.40	0	
		25	25	16.19	16.04	16.20	16.40	0	
	16-QAM	50	0	16.19	16.01	16.07	16.40	0	
		1	0	16.02	16.19	16.11	16.40	0	
		1	25	16.14	16.12	16.05	16.40	0	
		1	49	16.02	16.16	16.11	16.40	0	
		25	0	16.16	16.06	16.05	16.40	0	
		25	12	16.15	16.20	16.06	16.40	0	
	64-QAM	25	25	16.14	16.16	16.12	16.40	0	
		50	0	16.20	16.02	16.14	16.40	0	
		1	0	16.08	16.19	16.03	16.40	0	
		1	25	16.18	16.04	16.14	16.40	0	
		1	49	16.14	16.09	16.12	16.40	0	
		25	0	16.16	16.20	16.16	16.40	0	
	256-QAM	25	12	16.07	16.13	16.11	16.40	0	
		25	25	16.10	16.14	16.04	16.40	0	
		50	0	16.16	16.09	16.07	16.40	0	
		1	0	16.04	16.13	16.07	16.40	0	
		1	25	16.20	16.11	16.06	16.40	0	
		1	49	16.11	16.07	16.11	16.40	0	
	Frequency (MHz)			1852.5	1880	1907.5	Target Power + Max. Tolerance (dBm)	MPR Allowed per 3GPP(dB)	
	Channel			18625	18900	19175			
	5	QPSK	1	0	16.04	16.11	16.04	16.40	0
			1	12	16.09	16.12	16.05	16.40	0
			1	24	16.20	16.12	16.16	16.40	0
			12	0	16.18	16.10	16.03	16.40	0
12			6	16.08	16.15	16.10	16.40	0	
12			13	16.10	16.06	16.16	16.40	0	
16-QAM		25	0	16.14	16.10	16.01	16.40	0	
		1	0	16.04	16.15	16.13	16.40	0	
		1	12	16.08	16.01	16.12	16.40	0	
		1	24	16.18	16.15	16.11	16.40	0	
		12	0	16.20	16.15	16.03	16.40	0	
		12	6	16.16	16.09	16.17	16.40	0	
64-QAM		12	13	16.11	16.10	16.03	16.40	0	
		25	0	16.19	16.19	16.19	16.40	0	
		1	0	16.18	16.06	16.09	16.40	0	
		1	12	16.18	16.09	16.11	16.40	0	
		1	24	16.14	16.02	16.16	16.40	0	
		12	0	16.03	16.07	16.18	16.40	0	
256-QAM		12	6	16.14	16.09	16.17	16.40	0	
		12	13	16.18	16.18	16.08	16.40	0	
		25	0	16.16	16.08	16.13	16.40	0	
		1	0	16.03	16.20	16.01	16.40	0	
		1	12	16.12	16.08	16.10	16.40	0	
		1	24	16.09	16.06	16.02	16.40	0	
12		0	16.02	16.04	16.16	16.40	0		
12		6	16.13	16.14	16.06	16.40	0		
12		13	16.18	16.02	16.07	16.40	0		
25		0	16.05	16.01	16.12	16.40	0		

Unless otherwise stated the results shown in this test report refer only to the sample(s) tested and such sample(s) are retained for 90 days only.

除非另有說明，此報告結果僅對測試之樣品負責，同時此樣品僅保留90天。本報告未經本公司書面許可，不可部份複製。

This document is issued by the Company subject to its General Conditions of Service printed overleaf, available on request or accessible at <http://www.sgs.com.tw/Terms-and-Conditions> and for electronic format documents, subject to Terms and Conditions for Electronic Documents at <http://www.sgs.com.tw/Terms-and-Conditions>. Attention is drawn to the limitation of liability, indemnification and jurisdiction issues defined therein. Any holder of this document is advised that information contained hereon reflects the Company's findings at the time of its intervention only and within the limits of Client's instructions, if any. The Company's sole responsibility is to its Client and this document does not exonerate parties to a transaction from exercising all their rights and obligations under the transaction documents. This document cannot be reproduced except in full, without prior written approval of the Company. Any unauthorized alteration, forgery or falsification of the content or appearance of this document is unlawful and offenders may be prosecuted to the fullest extent of the law.

LTE Band 7									
BW(Mhz)	Modulation	RB Size	RB Offset	Conducted power (dBm)			Target Power + Max. Tolerance (dBm)	MPR Allowed per 3GPP(dB)	
Frequency (MHz)				2510	2535	2560			
Channel				20850	21100	21350			
20	QPSK	1	0	11.45	11.52	11.41	11.60	0	
		1	50	11.29	11.30	11.23	11.60	0	
		1	99	11.37	11.28	11.29	11.60	0	
		50	0	11.26	11.23	11.22	11.60	0	
		50	25	11.25	11.36	11.30	11.60	0	
		50	50	11.30	11.24	11.21	11.60	0	
	16-QAM	100	0	11.27	11.37	11.22	11.60	0	
		1	0	11.24	11.34	11.39	11.60	0	
		1	50	11.39	11.22	11.28	11.60	0	
		1	99	11.32	11.33	11.31	11.60	0	
		50	0	11.36	11.30	11.24	11.60	0	
		50	25	11.27	11.30	11.21	11.60	0	
	64-QAM	50	50	11.30	11.28	11.27	11.60	0	
		100	0	11.39	11.38	11.39	11.60	0	
		1	0	11.26	11.21	11.29	11.60	0	
		1	50	11.30	11.21	11.32	11.60	0	
		1	99	11.27	11.36	11.26	11.60	0	
		50	0	11.33	11.28	11.27	11.60	0	
	256-QAM	50	25	11.30	11.32	11.25	11.60	0	
		50	50	11.31	11.34	11.27	11.60	0	
		100	0	11.30	11.29	11.22	11.60	0	
		1	0	11.39	11.31	11.33	11.60	0	
		1	50	11.23	11.27	11.26	11.60	0	
		1	99	11.35	11.37	11.24	11.60	0	
	Frequency (MHz)				2507.5	2535	2562.5	Target Power + Max. Tolerance (dBm)	MPR Allowed per 3GPP(dB)
	Channel				20825	21100	21375		
	15	QPSK	1	0	11.27	11.23	11.29	11.60	0
			1	36	11.38	11.26	11.40	11.60	0
			1	74	11.28	11.22	11.22	11.60	0
			36	0	11.24	11.28	11.22	11.60	0
36			18	11.23	11.37	11.30	11.60	0	
36			37	11.38	11.34	11.38	11.60	0	
16-QAM		75	0	11.37	11.33	11.32	11.60	0	
		1	0	11.21	11.33	11.37	11.60	0	
		1	36	11.32	11.24	11.24	11.60	0	
		1	74	11.23	11.34	11.27	11.60	0	
		36	0	11.36	11.39	11.37	11.60	0	
		36	18	11.26	11.31	11.30	11.60	0	
64-QAM		36	37	11.22	11.30	11.23	11.60	0	
		75	0	11.40	11.30	11.38	11.60	0	
		1	0	11.36	11.40	11.36	11.60	0	
		1	36	11.26	11.23	11.31	11.60	0	
		1	74	11.22	11.30	11.30	11.60	0	
		36	0	11.31	11.25	11.24	11.60	0	
256-QAM		36	18	11.24	11.27	11.34	11.60	0	
		36	37	11.34	11.30	11.24	11.60	0	
		75	0	11.26	11.31	11.29	11.60	0	
		1	0	11.39	11.26	11.21	11.60	0	
		1	36	11.25	11.38	11.37	11.60	0	
		1	74	11.22	11.40	11.25	11.60	0	

Unless otherwise stated the results shown in this test report refer only to the sample(s) tested and such sample(s) are retained for 90 days only.

除非另有說明，此報告結果僅對測試之樣品負責，同時此樣品僅保留90天。本報告未經本公司書面許可，不可部份複製。

This document is issued by the Company subject to its General Conditions of Service printed overleaf, available on request or accessible at <http://www.sgs.com.tw/Terms-and-Conditions> and for electronic format documents, subject to Terms and Conditions for Electronic Documents at <http://www.sgs.com.tw/Terms-and-Conditions>. Attention is drawn to the limitation of liability, indemnification and jurisdiction issues defined therein. Any holder of this document is advised that information contained hereon reflects the Company's findings at the time of its intervention only and within the limits of Client's instructions, if any. The Company's sole responsibility is to its Client and this document does not exonerate parties to a transaction from exercising all their rights and obligations under the transaction documents. This document cannot be reproduced except in full, without prior written approval of the Company. Any unauthorized alteration, forgery or falsification of the content or appearance of this document is unlawful and offenders may be prosecuted to the fullest extent of the law.

LTE Band 7									
BW(Mhz)	Modulation	RB Size	RB Offset	Conducted power (dBm)			Target Power + Max. Tolerance (dBm)	MPR Allowed per 3GPP(dB)	
Frequency (MHz)				2505	2535	2565			
Channel				20800	21100	21400			
10	QPSK	1	0	11.30	11.21	11.26	11.60	0	
		1	25	11.37	11.35	11.38	11.60	0	
		1	49	11.32	11.28	11.25	11.60	0	
		25	0	11.26	11.21	11.38	11.60	0	
		25	12	11.31	11.30	11.38	11.60	0	
		25	25	11.39	11.35	11.21	11.60	0	
	16-QAM	50	0	11.39	11.36	11.22	11.60	0	
		1	0	11.23	11.27	11.37	11.60	0	
		1	25	11.37	11.40	11.21	11.60	0	
		1	49	11.21	11.33	11.26	11.60	0	
		25	0	11.27	11.33	11.38	11.60	0	
		25	12	11.24	11.39	11.31	11.60	0	
	64-QAM	25	25	11.22	11.38	11.39	11.60	0	
		50	0	11.38	11.21	11.35	11.60	0	
		1	0	11.37	11.22	11.27	11.60	0	
		1	25	11.28	11.27	11.40	11.60	0	
		1	49	11.23	11.33	11.22	11.60	0	
		25	0	11.34	11.23	11.33	11.60	0	
	256-QAM	25	12	11.29	11.30	11.39	11.60	0	
		25	25	11.28	11.38	11.29	11.60	0	
		50	0	11.40	11.31	11.40	11.60	0	
		1	0	11.22	11.27	11.39	11.60	0	
		1	25	11.39	11.26	11.22	11.60	0	
		1	49	11.38	11.22	11.40	11.60	0	
	Frequency (MHz)				2502.5	2535	2567.5	Target Power + Max. Tolerance (dBm)	MPR Allowed per 3GPP(dB)
	Channel				20775	21100	21425		
	5	QPSK	1	0	11.23	11.35	11.21	11.60	0
			1	12	11.35	11.30	11.38	11.60	0
			1	24	11.33	11.38	11.22	11.60	0
			12	0	11.23	11.34	11.30	11.60	0
12			6	11.36	11.23	11.26	11.60	0	
12			13	11.21	11.33	11.23	11.60	0	
16-QAM		25	0	11.22	11.31	11.27	11.60	0	
		1	0	11.36	11.39	11.32	11.60	0	
		1	12	11.33	11.34	11.21	11.60	0	
		1	24	11.37	11.26	11.30	11.60	0	
		12	0	11.37	11.25	11.29	11.60	0	
		12	6	11.38	11.30	11.26	11.60	0	
64-QAM		12	13	11.25	11.24	11.27	11.60	0	
		25	0	11.25	11.32	11.21	11.60	0	
		1	0	11.36	11.27	11.21	11.60	0	
		1	12	11.35	11.32	11.25	11.60	0	
		1	24	11.23	11.27	11.28	11.60	0	
		12	0	11.33	11.24	11.24	11.60	0	
256-QAM		12	6	11.37	11.28	11.35	11.60	0	
		12	13	11.27	11.40	11.37	11.60	0	
		25	0	11.22	11.39	11.33	11.60	0	
		1	0	11.33	11.30	11.37	11.60	0	
		1	12	11.24	11.25	11.24	11.60	0	
		1	24	11.25	11.25	11.37	11.60	0	
12	0	11.36	11.37	11.24	11.60	0			
12	6	11.36	11.33	11.35	11.60	0			
12	13	11.39	11.35	11.36	11.60	0			
25	0	11.35	11.37	11.29	11.60	0			

Unless otherwise stated the results shown in this test report refer only to the sample(s) tested and such sample(s) are retained for 90 days only.

除非另有說明，此報告結果僅對測試之樣品負責，同時此樣品僅保留90天。本報告未經本公司書面許可，不可部份複製。

This document is issued by the Company subject to its General Conditions of Service printed overleaf, available on request or accessible at <http://www.sgs.com.tw/Terms-and-Conditions> and for electronic format documents, subject to Terms and Conditions for Electronic Documents at <http://www.sgs.com.tw/Terms-and-Conditions>. Attention is drawn to the limitation of liability, indemnification and jurisdiction issues defined therein. Any holder of this document is advised that information contained hereon reflects the Company's findings at the time of its intervention only and within the limits of Client's instructions, if any. The Company's sole responsibility is to its Client and this document does not exonerate parties to a transaction from exercising all their rights and obligations under the transaction documents. This document cannot be reproduced except in full, without prior written approval of the Company. Any unauthorized alteration, forgery or falsification of the content or appearance of this document is unlawful and offenders may be prosecuted to the fullest extent of the law.

LTE Band 66									
BW(Mhz)	Modulation	RB Size	RB Offset	Conducted power (dBm)			Target Power + Max. Tolerance (dBm)	MPR Allowed per 3GPP(dB)	
Frequency (MHz)				1720	1745	1770			
Channel				132072	132322	132572			
20	QPSK	1	0	18.82	18.90	18.80	19.00	0	
		1	50	18.78	18.68	18.76	19.00	0	
		1	99	18.66	18.62	18.69	19.00	0	
		50	0	18.75	18.74	18.70	19.00	0	
		50	25	18.68	18.69	18.61	19.00	0	
		50	50	18.68	18.63	18.65	19.00	0	
	16-QAM	100	0	18.70	18.73	18.77	19.00	0	
		1	0	18.63	18.61	18.65	19.00	0	
		1	50	18.73	18.71	18.74	19.00	0	
		1	99	18.72	18.65	18.65	19.00	0	
		50	0	18.76	18.72	18.76	19.00	0	
		50	25	18.63	18.60	18.72	19.00	0	
	64-QAM	50	50	18.62	18.74	18.72	19.00	0	
		100	0	18.62	18.75	18.65	19.00	0	
		1	0	18.62	18.71	18.65	19.00	0	
		1	50	18.61	18.77	18.75	19.00	0	
		1	99	18.72	18.73	18.60	19.00	0	
		50	0	18.62	18.69	18.64	19.00	0	
	256-QAM	50	25	18.67	18.78	18.79	19.00	0	
		50	50	18.69	18.61	18.75	19.00	0	
		100	0	18.75	18.62	18.73	19.00	0	
		1	0	18.75	18.64	18.71	19.00	0	
		1	50	18.78	18.68	18.74	19.00	0	
		1	99	18.65	18.77	18.65	19.00	0	
	Frequency (MHz)				1717.5	1745	1772.5	Target Power + Max. Tolerance (dBm)	MPR Allowed per 3GPP(dB)
	Channel				132047	132322	132597		
	15	QPSK	1	0	18.71	18.78	18.68	19.00	0
			1	36	18.61	18.76	18.65	19.00	0
			1	74	18.66	18.75	18.66	19.00	0
			36	0	18.77	18.71	18.73	19.00	0
			36	18	18.77	18.66	18.71	19.00	0
			36	37	18.69	18.71	18.61	19.00	0
		16-QAM	75	0	18.60	18.70	18.68	19.00	0
			1	0	18.78	18.69	18.77	19.00	0
			1	36	18.60	18.63	18.60	19.00	0
			1	74	18.61	18.71	18.69	19.00	0
36			0	18.77	18.75	18.72	19.00	0	
36			18	18.62	18.74	18.70	19.00	0	
64-QAM		36	37	18.75	18.68	18.66	19.00	0	
		75	0	18.62	18.64	18.66	19.00	0	
		1	0	18.78	18.64	18.63	19.00	0	
		1	36	18.75	18.67	18.72	19.00	0	
		1	74	18.77	18.67	18.72	19.00	0	
		36	0	18.61	18.64	18.77	19.00	0	
256-QAM		36	18	18.68	18.73	18.64	19.00	0	
		36	37	18.68	18.76	18.76	19.00	0	
		75	0	18.67	18.73	18.77	19.00	0	
		1	0	18.68	18.62	18.77	19.00	0	
		1	36	18.72	18.77	18.65	19.00	0	
		1	74	18.65	18.65	18.72	19.00	0	
36		0	18.72	18.77	18.79	19.00	0		
36		18	18.68	18.76	18.77	19.00	0		
36		37	18.75	18.77	18.62	19.00	0		
75		0	18.72	18.60	18.64	19.00	0		

Unless otherwise stated the results shown in this test report refer only to the sample(s) tested and such sample(s) are retained for 90 days only.

除非另有說明，此報告結果僅對測試之樣品負責，同時此樣品僅保留90天。本報告未經本公司書面許可，不可部份複製。

This document is issued by the Company subject to its General Conditions of Service printed overleaf, available on request or accessible at <http://www.sgs.com.tw/Terms-and-Conditions> and for electronic format documents, subject to Terms and Conditions for Electronic Documents at <http://www.sgs.com.tw/Terms-and-Conditions>. Attention is drawn to the limitation of liability, indemnification and jurisdiction issues defined therein. Any holder of this document is advised that information contained hereon reflects the Company's findings at the time of its intervention only and within the limits of Client's instructions, if any. The Company's sole responsibility is to its Client and this document does not exonerate parties to a transaction from exercising all their rights and obligations under the transaction documents. This document cannot be reproduced except in full, without prior written approval of the Company. Any unauthorized alteration, forgery or falsification of the content or appearance of this document is unlawful and offenders may be prosecuted to the fullest extent of the law.

LTE Band 66									
BW(Mhz)	Modulation	RB Size	RB Offset	Conducted power (dBm)			Target Power + Max. Tolerance (dBm)	MPR Allowed per 3GPP(dB)	
Frequency (MHz)			1715	1745	1775				
Channel			132022	132322	132622				
10	QPSK	1	0	18.63	18.60	18.76	19.00	0	
		1	25	18.79	18.69	18.78	19.00	0	
		1	49	18.71	18.70	18.68	19.00	0	
		25	0	18.65	18.75	18.60	19.00	0	
		25	12	18.79	18.63	18.74	19.00	0	
		25	25	18.66	18.66	18.75	19.00	0	
	16-QAM	50	0	18.75	18.73	18.67	19.00	0	
		1	0	18.60	18.62	18.62	19.00	0	
		1	25	18.61	18.64	18.70	19.00	0	
		1	49	18.68	18.62	18.65	19.00	0	
		25	0	18.75	18.61	18.63	19.00	0	
		25	12	18.62	18.70	18.61	19.00	0	
	64-QAM	25	25	18.74	18.76	18.66	19.00	0	
		50	0	18.77	18.63	18.72	19.00	0	
		1	0	18.68	18.79	18.72	19.00	0	
		1	25	18.64	18.76	18.74	19.00	0	
		1	49	18.74	18.71	18.66	19.00	0	
		25	0	18.75	18.62	18.65	19.00	0	
	256-QAM	25	12	18.77	18.77	18.64	19.00	0	
		25	25	18.68	18.71	18.64	19.00	0	
		50	0	18.62	18.61	18.70	19.00	0	
		1	0	18.66	18.72	18.69	19.00	0	
		1	25	18.72	18.74	18.72	19.00	0	
		1	49	18.66	18.70	18.79	19.00	0	
	Frequency (MHz)			1712.5	1745	1777.5	Target Power + Max. Tolerance (dBm)	MPR Allowed per 3GPP(dB)	
	Channel			131997	132322	132647			
	5	QPSK	1	0	18.69	18.66	18.74	19.00	0
			1	12	18.78	18.67	18.66	19.00	0
			1	24	18.70	18.71	18.77	19.00	0
			12	0	18.64	18.72	18.61	19.00	0
12			6	18.75	18.74	18.73	19.00	0	
12			13	18.66	18.76	18.60	19.00	0	
16-QAM		25	0	18.76	18.75	18.67	19.00	0	
		1	0	18.69	18.76	18.63	19.00	0	
		1	12	18.72	18.76	18.61	19.00	0	
		1	24	18.61	18.62	18.72	19.00	0	
		12	0	18.75	18.78	18.71	19.00	0	
		12	6	18.76	18.71	18.72	19.00	0	
64-QAM		12	13	18.61	18.76	18.75	19.00	0	
		25	0	18.63	18.63	18.76	19.00	0	
		1	0	18.76	18.67	18.62	19.00	0	
		1	12	18.71	18.73	18.77	19.00	0	
		1	24	18.60	18.66	18.67	19.00	0	
		12	0	18.67	18.62	18.60	19.00	0	
256-QAM		12	6	18.71	18.69	18.79	19.00	0	
		12	13	18.76	18.66	18.78	19.00	0	
		25	0	18.79	18.68	18.60	19.00	0	
		1	0	18.74	18.70	18.69	19.00	0	
		1	12	18.63	18.74	18.61	19.00	0	
		1	24	18.63	18.60	18.78	19.00	0	
12	0	18.77	18.76	18.74	19.00	0			
12	6	18.66	18.66	18.75	19.00	0			
12	13	18.65	18.74	18.68	19.00	0			
25	0	18.68	18.73	18.61	19.00	0			

Unless otherwise stated the results shown in this test report refer only to the sample(s) tested and such sample(s) are retained for 90 days only.

除非另有說明，此報告結果僅對測試之樣品負責，同時此樣品僅保留90天。本報告未經本公司書面許可，不可部份複製。

This document is issued by the Company subject to its General Conditions of Service printed overleaf, available on request or accessible at <http://www.sgs.com.tw/Terms-and-Conditions> and for electronic format documents, subject to Terms and Conditions for Electronic Documents at <http://www.sgs.com.tw/Terms-and-Conditions>. Attention is drawn to the limitation of liability, indemnification and jurisdiction issues defined therein. Any holder of this document is advised that information contained hereon reflects the Company's findings at the time of its intervention only and within the limits of Client's instructions, if any. The Company's sole responsibility is to its Client and this document does not exonerate parties to a transaction from exercising all their rights and obligations under the transaction documents. This document cannot be reproduced except in full, without prior written approval of the Company. Any unauthorized alteration, forgery or falsification of the content or appearance of this document is unlawful and offenders may be prosecuted to the fullest extent of the law.

LTE Band 66									
BW(Mhz)	Modulation	RB Size	RB Offset	Conducted power (dBm)			Target Power + Max. Tolerance (dBm)	MPR Allowed per 3GPP(dB)	
Frequency (MHz)				1711.5	1745	1778.5			
Channel				131987	132322	132657			
3	QPSK	1	0	18.69	18.72	18.77	19.00	0	
		1	7	18.76	18.76	18.62	19.00	0	
		1	14	18.76	18.62	18.73	19.00	0	
		8	0	18.74	18.77	18.71	19.00	0	
		8	4	18.62	18.71	18.60	19.00	0	
		8	7	18.71	18.69	18.60	19.00	0	
	16-QAM	15	0	18.61	18.67	18.73	19.00	0	
		1	0	18.69	18.78	18.78	19.00	0	
		1	7	18.77	18.69	18.74	19.00	0	
		1	14	18.63	18.76	18.73	19.00	0	
		8	0	18.78	18.79	18.60	19.00	0	
		8	4	18.60	18.75	18.61	19.00	0	
	64-QAM	8	7	18.69	18.79	18.79	19.00	0	
		15	0	18.73	18.72	18.79	19.00	0	
		1	0	18.70	18.73	18.66	19.00	0	
		1	7	18.62	18.60	18.71	19.00	0	
		1	14	18.62	18.73	18.62	19.00	0	
		8	0	18.71	18.65	18.76	19.00	0	
	256-QAM	8	4	18.66	18.62	18.72	19.00	0	
		8	7	18.64	18.62	18.72	19.00	0	
		15	0	18.71	18.61	18.70	19.00	0	
		1	0	18.79	18.68	18.62	19.00	0	
		1	7	18.67	18.78	18.68	19.00	0	
		1	14	18.62	18.75	18.72	19.00	0	
	Frequency (MHz)				1710.7	1745	1779.3	Target Power + Max. Tolerance (dBm)	MPR Allowed per 3GPP(dB)
	Channel				131979	132322	132665		
	1.4	QPSK	1	0	18.73	18.72	18.60	19.00	0
			1	2	18.67	18.70	18.69	19.00	0
			1	5	18.70	18.70	18.65	19.00	0
			3	0	18.74	18.75	18.71	19.00	0
			3	2	18.74	18.67	18.74	19.00	0
			3	3	18.67	18.73	18.72	19.00	0
		16-QAM	6	0	18.73	18.72	18.66	19.00	0
			1	0	18.77	18.72	18.70	19.00	0
			1	2	18.65	18.60	18.73	19.00	0
			1	5	18.63	18.73	18.61	19.00	0
			3	0	18.72	18.62	18.63	19.00	0
			3	2	18.76	18.68	18.76	19.00	0
		64-QAM	3	3	18.64	18.64	18.70	19.00	0
			6	0	18.68	18.61	18.65	19.00	0
			1	0	18.75	18.65	18.65	19.00	0
			1	2	18.60	18.60	18.70	19.00	0
			1	5	18.78	18.64	18.62	19.00	0
			3	0	18.65	18.79	18.69	19.00	0
		256-QAM	3	2	18.67	18.76	18.68	19.00	0
3			3	18.60	18.75	18.74	19.00	0	
6			0	18.74	18.77	18.78	19.00	0	
1			0	18.63	18.61	18.76	19.00	0	
1			2	18.73	18.70	18.70	19.00	0	
1			5	18.63	18.72	18.76	19.00	0	
		3	0	18.68	18.64	18.73	19.00	0	
		3	2	18.79	18.69	18.62	19.00	0	
		3	3	18.67	18.68	18.72	19.00	0	
		6	0	18.78	18.74	18.72	19.00	0	

Unless otherwise stated the results shown in this test report refer only to the sample(s) tested and such sample(s) are retained for 90 days only.

除非另有說明，此報告結果僅對測試之樣品負責，同時此樣品僅保留90天。本報告未經本公司書面許可，不可部份複製。

This document is issued by the Company subject to its General Conditions of Service printed overleaf, available on request or accessible at <http://www.sgs.com.tw/Terms-and-Conditions> and for electronic format documents, subject to Terms and Conditions for Electronic Documents at <http://www.sgs.com.tw/Terms-and-Conditions>. Attention is drawn to the limitation of liability, indemnification and jurisdiction issues defined therein. Any holder of this document is advised that information contained hereon reflects the Company's findings at the time of its intervention only and within the limits of Client's instructions, if any. The Company's sole responsibility is to its Client and this document does not exonerate parties to a transaction from exercising all their rights and obligations under the transaction documents. This document cannot be reproduced except in full, without prior written approval of the Company. Any unauthorized alteration, forgery or falsification of the content or appearance of this document is unlawful and offenders may be prosecuted to the fullest extent of the law.

**Tablet mode
Tx8-LTE TDD Band 42 / Band 48 power table:**

LTE Band 42								
BW(Mhz)	Modulation	RB Size	RB Offset	Conducted power (dBm)			Target Power + Max. Tolerance (dBm)	MPR Allowed per 3GPP(dB)
Frequency (MHz)				3560	3575	3590		
Channel				43190	43340	43490		
20	QPSK	1	0	17.34	17.30	17.41	17.50	0
		1	50	17.23	17.16	17.21	17.50	0
		1	99	17.17	17.21	17.27	17.50	0
		50	0	17.13	17.15	17.25	17.50	0
		50	25	17.23	17.26	17.21	17.50	0
		50	50	17.28	17.20	17.19	17.50	0
	100	0	17.26	17.27	17.22	17.50	0	
	16-QAM	1	0	17.28	17.18	17.16	17.50	0
		1	50	17.18	17.27	17.14	17.50	0
		1	99	17.18	17.13	17.11	17.50	0
		50	0	17.24	17.22	17.20	17.50	0
		50	25	17.18	17.17	17.10	17.50	0
		50	50	17.12	17.12	17.25	17.50	0
	100	0	17.21	17.24	17.23	17.50	0	
	64-QAM	1	0	17.15	17.24	17.10	17.50	0
		1	50	17.24	17.13	17.23	17.50	0
		1	99	17.16	17.23	17.18	17.50	0
		50	0	17.10	17.10	17.18	17.50	0
		50	25	17.13	17.16	17.24	17.50	0
		50	50	17.29	17.26	17.29	17.50	0
	100	0	17.20	17.14	17.11	17.50	0	
	256-QAM	1	0	17.12	17.25	17.24	17.50	0
		1	50	17.11	17.16	17.11	17.50	0
		1	99	17.18	17.22	17.21	17.50	0
50		0	17.18	17.14	17.12	17.50	0	
50		25	17.18	17.20	17.16	17.50	0	
50		50	17.26	17.13	17.24	17.50	0	
100	0	17.23	17.25	17.16	17.50	0		
Frequency (MHz)				3407.5	3453.8	3592.5	Target Power + Max. Tolerance (dBm)	MPR Allowed per 3GPP(dB)
Channel				41665	42128	43515		
15	QPSK	1	0	17.21	17.24	17.10	17.50	0
		1	36	17.19	17.20	17.20	17.50	0
		1	74	17.16	17.22	17.27	17.50	0
		36	0	17.11	17.18	17.20	17.50	0
		36	18	17.13	17.23	17.18	17.50	0
		36	37	17.22	17.20	17.23	17.50	0
	75	0	17.28	17.18	17.20	17.50	0	
	16-QAM	1	0	17.22	17.27	17.11	17.50	0
		1	36	17.25	17.13	17.21	17.50	0
		1	74	17.24	17.27	17.16	17.50	0
		36	0	17.11	17.25	17.29	17.50	0
		36	18	17.18	17.21	17.17	17.50	0
		36	37	17.27	17.13	17.17	17.50	0
	75	0	17.29	17.19	17.27	17.50	0	
	64-QAM	1	0	17.23	17.14	17.12	17.50	0
		1	36	17.10	17.13	17.16	17.50	0
		1	74	17.16	17.11	17.28	17.50	0
		36	0	17.22	17.17	17.10	17.50	0
		36	18	17.22	17.15	17.22	17.50	0
		36	37	17.17	17.23	17.23	17.50	0
	75	0	17.17	17.22	17.16	17.50	0	
	256-QAM	1	0	17.14	17.19	17.27	17.50	0
		1	36	17.11	17.18	17.27	17.50	0
		1	74	17.16	17.13	17.21	17.50	0
36		0	17.19	17.12	17.28	17.50	0	
36		18	17.10	17.10	17.28	17.50	0	
36		37	17.22	17.15	17.21	17.50	0	
75	0	17.21	17.26	17.23	17.50	0		

Unless otherwise stated the results shown in this test report refer only to the sample(s) tested and such sample(s) are retained for 90 days only.

除非另有說明，此報告結果僅對測試之樣品負責，同時此樣品僅保留90天。本報告未經本公司書面許可，不可部份複製。

This document is issued by the Company subject to its General Conditions of Service printed overleaf, available on request or accessible at <http://www.sgs.com.tw/Terms-and-Conditions> and for electronic format documents, subject to Terms and Conditions for Electronic Documents at <http://www.sgs.com.tw/Terms-and-Conditions>. Attention is drawn to the limitation of liability, indemnification and jurisdiction issues defined therein. Any holder of this document is advised that information contained hereon reflects the Company's findings at the time of its intervention only and within the limits of Client's instructions, if any. The Company's sole responsibility is to its Client and this document does not exonerate parties to a transaction from exercising all their rights and obligations under the transaction documents. This document cannot be reproduced except in full, without prior written approval of the Company. Any unauthorized alteration, forgery or falsification of the content or appearance of this document is unlawful and offenders may be prosecuted to the fullest extent of the law.

LTE Band 42									
BW(MHz)	Modulation	RB Size	RB Offset	Conducted power (dBm)			Target Power + Max. Tolerance (dBm)	MPR Allowed per 3GPP(dB)	
Frequency (MHz)			3405	3452.5	3595				
Channel			41640	42115	43540				
10	QPSK	1	0	17.22	17.17	17.12	17.50	0	
		1	25	17.18	17.27	17.21	17.50	0	
		1	49	17.16	17.12	17.23	17.50	0	
		25	0	17.26	17.27	17.17	17.50	0	
		25	12	17.22	17.26	17.19	17.50	0	
		25	25	17.17	17.17	17.17	17.50	0	
	16-QAM	50	0	17.12	17.25	17.14	17.50	0	
		1	0	17.24	17.22	17.14	17.50	0	
		1	25	17.18	17.17	17.13	17.50	0	
		1	49	17.20	17.16	17.22	17.50	0	
		25	0	17.12	17.19	17.22	17.50	0	
		25	12	17.25	17.17	17.20	17.50	0	
	64-QAM	25	25	17.19	17.26	17.13	17.50	0	
		50	0	17.23	17.27	17.19	17.50	0	
		1	0	17.29	17.18	17.19	17.50	0	
		1	25	17.25	17.23	17.17	17.50	0	
		1	49	17.11	17.22	17.29	17.50	0	
		25	0	17.24	17.22	17.17	17.50	0	
	256-QAM	25	12	17.21	17.15	17.14	17.50	0	
		25	25	17.19	17.19	17.17	17.50	0	
		50	0	17.10	17.12	17.19	17.50	0	
		1	0	17.20	17.26	17.25	17.50	0	
		1	25	17.26	17.27	17.23	17.50	0	
		1	49	17.11	17.14	17.26	17.50	0	
	Frequency (MHz)			3402.5	3451.3	3597.5	Target Power + Max. Tolerance (dBm)	MPR Allowed per 3GPP(dB)	
	Channel			41615	42103	43565			
	5	QPSK	1	0	17.10	17.26	17.10	17.50	0
			1	12	17.10	17.14	17.15	17.50	0
			1	24	17.28	17.19	17.10	17.50	0
			12	0	17.26	17.29	17.11	17.50	0
12			6	17.17	17.21	17.27	17.50	0	
12			13	17.24	17.27	17.17	17.50	0	
16-QAM		25	0	17.15	17.28	17.15	17.50	0	
		1	0	17.27	17.24	17.11	17.50	0	
		1	12	17.10	17.17	17.29	17.50	0	
		1	24	17.13	17.29	17.24	17.50	0	
		12	0	17.10	17.12	17.25	17.50	0	
		12	6	17.23	17.24	17.17	17.50	0	
64-QAM		12	13	17.13	17.15	17.18	17.50	0	
		25	0	17.12	17.25	17.14	17.50	0	
		1	0	17.29	17.15	17.16	17.50	0	
		1	12	17.26	17.13	17.25	17.50	0	
		1	24	17.26	17.13	17.29	17.50	0	
		12	0	17.29	17.21	17.10	17.50	0	
256-QAM		12	6	17.13	17.13	17.15	17.50	0	
		12	13	17.21	17.20	17.26	17.50	0	
		25	0	17.12	17.11	17.22	17.50	0	
		1	0	17.13	17.12	17.13	17.50	0	
		1	12	17.23	17.23	17.16	17.50	0	
		1	24	17.14	17.24	17.13	17.50	0	
Frequency (MHz)			3402.5	3451.3	3597.5	Target Power + Max. Tolerance (dBm)	MPR Allowed per 3GPP(dB)		
Channel			41615	42103	43565				
5		QPSK	1	0	17.10	17.26	17.10	17.50	0
			1	12	17.10	17.14	17.15	17.50	0
			1	24	17.28	17.19	17.10	17.50	0
			12	0	17.26	17.29	17.11	17.50	0
	12		6	17.17	17.21	17.27	17.50	0	
	12		13	17.24	17.27	17.17	17.50	0	
	16-QAM	25	0	17.15	17.28	17.15	17.50	0	
		1	0	17.27	17.24	17.11	17.50	0	
		1	12	17.10	17.17	17.29	17.50	0	
		1	24	17.13	17.29	17.24	17.50	0	
		12	0	17.10	17.12	17.25	17.50	0	
		12	6	17.23	17.24	17.17	17.50	0	
	64-QAM	12	13	17.13	17.15	17.18	17.50	0	
		25	0	17.12	17.25	17.14	17.50	0	
1		0	17.29	17.15	17.16	17.50	0		
1		12	17.26	17.13	17.25	17.50	0		
1		24	17.26	17.13	17.29	17.50	0		
12		0	17.29	17.21	17.10	17.50	0		
256-QAM	12	6	17.13	17.13	17.15	17.50	0		
	12	13	17.21	17.20	17.26	17.50	0		
	25	0	17.12	17.11	17.22	17.50	0		
	1	0	17.13	17.12	17.13	17.50	0		
	1	12	17.23	17.23	17.16	17.50	0		
	1	24	17.14	17.24	17.13	17.50	0		

Unless otherwise stated the results shown in this test report refer only to the sample(s) tested and such sample(s) are retained for 90 days only.

除非另有說明，此報告結果僅對測試之樣品負責，同時此樣品僅保留90天。本報告未經本公司書面許可，不可部份複製。

This document is issued by the Company subject to its General Conditions of Service printed overleaf, available on request or accessible at <http://www.sgs.com.tw/Terms-and-Conditions> and for electronic format documents, subject to Terms and Conditions for Electronic Documents at <http://www.sgs.com.tw/Terms-and-Conditions>. Attention is drawn to the limitation of liability, indemnification and jurisdiction issues defined therein. Any holder of this document is advised that information contained hereon reflects the Company's findings at the time of its intervention only and within the limits of Client's instructions, if any. The Company's sole responsibility is to its Client and this document does not exonerate parties to a transaction from exercising all their rights and obligations under the transaction documents. This document cannot be reproduced except in full, without prior written approval of the Company. Any unauthorized alteration, forgery or falsification of the content or appearance of this document is unlawful and offenders may be prosecuted to the fullest extent of the law.

LTE Band 48									
BW(Mhz)	Modulation	RB Size	RB Offset	Conducted power (dBm)				Target Power + Max. Tolerance (dBm)	MPR Allowed per 3GPP(dB)
Frequency (MHz)				3560	3603.3	3646.7	3690		
Channel				55340	55773	56207	56640		
20	QPSK	1	0	17.66	17.52	17.47	17.50	17.70	0
		1	50	17.46	17.45	17.28	17.29	17.70	0
		1	99	17.31	17.44	17.41	17.39	17.70	0
		50	0	17.40	17.36	17.28	17.32	17.70	0
		50	25	17.31	17.30	17.28	17.44	17.70	0
		50	50	17.30	17.31	17.35	17.40	17.70	0
	16-QAM	100	0	17.34	17.28	17.40	17.35	17.70	0
		1	0	17.46	17.32	17.30	17.46	17.70	0
		1	50	17.42	17.36	17.31	17.44	17.70	0
		1	99	17.34	17.29	17.35	17.27	17.70	0
		50	0	17.36	17.39	17.45	17.29	17.70	0
		50	25	17.43	17.31	17.28	17.32	17.70	0
	64-QAM	50	50	17.44	17.34	17.30	17.28	17.70	0
		100	0	17.37	17.43	17.35	17.30	17.70	0
		1	0	17.33	17.27	17.41	17.45	17.70	0
		1	50	17.37	17.31	17.38	17.44	17.70	0
		1	99	17.44	17.45	17.40	17.33	17.70	0
		50	0	17.30	17.28	17.44	17.38	17.70	0
	256-QAM	50	25	17.33	17.29	17.34	17.38	17.70	0
		50	50	17.44	17.27	17.36	17.38	17.70	0
		100	0	17.41	17.34	17.36	17.42	17.70	0
		1	0	17.39	17.43	17.39	17.36	17.70	0
		1	50	17.41	17.28	17.34	17.41	17.70	0
		1	99	17.32	17.41	17.46	17.38	17.70	0
Frequency (MHz)				3557.5	3602.5	3647.5	3692.5	Target Power + Max. Tolerance (dBm)	MPR Allowed per 3GPP(dB)
Channel				55315	55765	56215	56665		
15	QPSK	1	0	17.33	17.27	17.28	17.29	17.70	0
		1	36	17.34	17.38	17.28	17.30	17.70	0
		1	74	17.34	17.32	17.38	17.32	17.70	0
		36	0	17.32	17.41	17.32	17.31	17.70	0
		36	18	17.35	17.43	17.32	17.36	17.70	0
		36	37	17.40	17.36	17.44	17.31	17.70	0
	16-QAM	75	0	17.41	17.33	17.43	17.42	17.70	0
		1	0	17.34	17.45	17.38	17.32	17.70	0
		1	36	17.44	17.39	17.46	17.45	17.70	0
		1	74	17.31	17.36	17.42	17.44	17.70	0
		36	0	17.45	17.41	17.40	17.34	17.70	0
		36	18	17.40	17.37	17.36	17.32	17.70	0
	64-QAM	36	37	17.43	17.40	17.43	17.39	17.70	0
		75	0	17.38	17.27	17.31	17.34	17.70	0
		1	0	17.41	17.41	17.31	17.28	17.70	0
		1	36	17.43	17.28	17.35	17.34	17.70	0
		1	74	17.37	17.43	17.27	17.37	17.70	0
		36	0	17.35	17.34	17.31	17.38	17.70	0
	256-QAM	36	18	17.29	17.36	17.43	17.37	17.70	0
		36	37	17.38	17.45	17.34	17.46	17.70	0
		75	0	17.38	17.43	17.28	17.30	17.70	0
		1	0	17.28	17.45	17.41	17.29	17.70	0
		1	36	17.30	17.32	17.39	17.40	17.70	0
		1	74	17.30	17.38	17.39	17.41	17.70	0
Frequency (MHz)				3557.5	3602.5	3647.5	3692.5	Target Power + Max. Tolerance (dBm)	MPR Allowed per 3GPP(dB)
Channel				55315	55765	56215	56665		
QPSK	1	0	17.33	17.27	17.28	17.29	17.70	0	
	1	36	17.34	17.38	17.28	17.30	17.70	0	
	1	74	17.34	17.32	17.38	17.32	17.70	0	
	36	0	17.32	17.41	17.32	17.31	17.70	0	
	36	18	17.35	17.43	17.32	17.36	17.70	0	
	36	37	17.40	17.36	17.44	17.31	17.70	0	
16-QAM	75	0	17.41	17.33	17.43	17.42	17.70	0	
	1	0	17.34	17.45	17.38	17.32	17.70	0	
	1	36	17.44	17.39	17.46	17.45	17.70	0	
	1	74	17.31	17.36	17.42	17.44	17.70	0	
	36	0	17.45	17.41	17.40	17.34	17.70	0	
	36	18	17.40	17.37	17.36	17.32	17.70	0	
64-QAM	36	37	17.43	17.40	17.43	17.39	17.70	0	
	75	0	17.38	17.27	17.31	17.34	17.70	0	
	1	0	17.41	17.41	17.31	17.28	17.70	0	
	1	36	17.43	17.28	17.35	17.34	17.70	0	
	1	74	17.37	17.43	17.27	17.37	17.70	0	
	36	0	17.35	17.34	17.31	17.38	17.70	0	
256-QAM	36	18	17.29	17.36	17.43	17.37	17.70	0	
	36	37	17.38	17.45	17.34	17.46	17.70	0	
	75	0	17.38	17.43	17.28	17.30	17.70	0	
	1	0	17.28	17.45	17.41	17.29	17.70	0	
	1	36	17.30	17.32	17.39	17.40	17.70	0	
	1	74	17.30	17.38	17.39	17.41	17.70	0	

Unless otherwise stated the results shown in this test report refer only to the sample(s) tested and such sample(s) are retained for 90 days only.

除非另有說明，此報告結果僅對測試之樣品負責，同時此樣品僅保留90天。本報告未經本公司書面許可，不可部份複製。

This document is issued by the Company subject to its General Conditions of Service printed overleaf, available on request or accessible at <http://www.sgs.com.tw/Terms-and-Conditions> and for electronic format documents, subject to Terms and Conditions for Electronic Documents at <http://www.sgs.com.tw/Terms-and-Conditions>. Attention is drawn to the limitation of liability, indemnification and jurisdiction issues defined therein. Any holder of this document is advised that information contained hereon reflects the Company's findings at the time of its intervention only and within the limits of Client's instructions, if any. The Company's sole responsibility is to its Client and this document does not exonerate parties to a transaction from exercising all their rights and obligations under the transaction documents. This document cannot be reproduced except in full, without prior written approval of the Company. Any unauthorized alteration, forgery or falsification of the content or appearance of this document is unlawful and offenders may be prosecuted to the fullest extent of the law.

LTE Band 48										
BW(MHz)	Modulation	RB Size	RB Offset	Conducted power (dBm)				Target Power + Max. Tolerance (dBm)	MPR Allowed per 3GPP(dB)	
Frequency (MHz)				3555	3601.7	3648.3	3695			
Channel				55290	55757	56223	56690			
10	QPSK	1	0	17.44	17.46	17.46	17.42	17.70	0	
		1	25	17.39	17.29	17.44	17.36	17.70	0	
		1	49	17.45	17.33	17.40	17.41	17.70	0	
		25	0	17.42	17.29	17.30	17.27	17.70	0	
		25	12	17.36	17.27	17.29	17.40	17.70	0	
		25	25	17.34	17.39	17.41	17.35	17.70	0	
	16-QAM	50	0	17.35	17.41	17.46	17.37	17.70	0	
		1	0	17.44	17.38	17.37	17.44	17.70	0	
		1	25	17.27	17.44	17.41	17.30	17.70	0	
		1	49	17.31	17.34	17.37	17.45	17.70	0	
		25	0	17.32	17.38	17.36	17.35	17.70	0	
		25	12	17.45	17.41	17.46	17.33	17.70	0	
	64-QAM	25	25	17.36	17.38	17.31	17.36	17.70	0	
		50	0	17.34	17.29	17.31	17.29	17.70	0	
		1	0	17.34	17.38	17.35	17.37	17.70	0	
		1	25	17.27	17.36	17.28	17.41	17.70	0	
		1	49	17.41	17.46	17.27	17.27	17.70	0	
		25	0	17.30	17.33	17.35	17.28	17.70	0	
	256-QAM	25	12	17.33	17.39	17.36	17.29	17.70	0	
		25	25	17.42	17.44	17.30	17.30	17.70	0	
		50	0	17.32	17.41	17.37	17.44	17.70	0	
		1	0	17.32	17.44	17.32	17.45	17.70	0	
		1	25	17.32	17.46	17.40	17.45	17.70	0	
		1	49	17.45	17.46	17.37	17.34	17.70	0	
	Frequency (MHz)				3552.5	3600.8	3649.2	3697.5	Target Power + Max. Tolerance (dBm)	MPR Allowed per 3GPP(dB)
	Channel				55265	55748	56232	56715		
	5	QPSK	1	0	17.28	17.39	17.32	17.39	17.70	0
			1	12	17.32	17.33	17.43	17.38	17.70	0
			1	24	17.40	17.37	17.46	17.33	17.70	0
			12	0	17.43	17.35	17.33	17.28	17.70	0
			12	6	17.34	17.33	17.30	17.43	17.70	0
			12	13	17.27	17.46	17.29	17.39	17.70	0
		16-QAM	25	0	17.43	17.39	17.41	17.33	17.70	0
			1	0	17.41	17.31	17.28	17.35	17.70	0
			1	12	17.40	17.37	17.41	17.38	17.70	0
			1	24	17.37	17.46	17.43	17.30	17.70	0
12			0	17.28	17.42	17.43	17.29	17.70	0	
12			6	17.44	17.38	17.46	17.30	17.70	0	
64-QAM		12	13	17.29	17.46	17.28	17.46	17.70	0	
		25	0	17.45	17.27	17.40	17.39	17.70	0	
		1	0	17.44	17.37	17.34	17.44	17.70	0	
		1	12	17.34	17.39	17.46	17.45	17.70	0	
		1	24	17.41	17.32	17.38	17.41	17.70	0	
		12	0	17.39	17.43	17.39	17.39	17.70	0	
256-QAM		12	6	17.38	17.27	17.35	17.39	17.70	0	
		12	13	17.32	17.36	17.41	17.33	17.70	0	
		25	0	17.31	17.33	17.39	17.44	17.70	0	
		1	0	17.28	17.41	17.38	17.27	17.70	0	
		1	12	17.43	17.34	17.37	17.36	17.70	0	
		1	24	17.34	17.36	17.33	17.27	17.70	0	
		12	0	17.46	17.27	17.41	17.40	17.70	0	
		12	6	17.32	17.34	17.45	17.31	17.70	0	
12		13	17.39	17.45	17.31	17.39	17.70	0		
25		0	17.46	17.44	17.32	17.28	17.70	0		

Unless otherwise stated the results shown in this test report refer only to the sample(s) tested and such sample(s) are retained for 90 days only.

除非另有說明，此報告結果僅對測試之樣品負責，同時此樣品僅保留90天。本報告未經本公司書面許可，不可部份複製。

This document is issued by the Company subject to its General Conditions of Service printed overleaf, available on request or accessible at <http://www.sgs.com.tw/Terms-and-Conditions> and for electronic format documents, subject to Terms and Conditions for Electronic Documents at <http://www.sgs.com.tw/Terms-and-Conditions>. Attention is drawn to the limitation of liability, indemnification and jurisdiction issues defined therein. Any holder of this document is advised that information contained hereon reflects the Company's findings at the time of its intervention only and within the limits of Client's instructions, if any. The Company's sole responsibility is to its Client and this document does not exonerate parties to a transaction from exercising all their rights and obligations under the transaction documents. This document cannot be reproduced except in full, without prior written approval of the Company. Any unauthorized alteration, forgery or falsification of the content or appearance of this document is unlawful and offenders may be prosecuted to the fullest extent of the law.

Tablet mode
Tx8-5G NR n2 / n7 / n41 / n66 power table:

5G NR n2								
BW(MHz)	Modulation	RB Size	RB Offset	Conducted power (dBm)			Target Power + Max. Tolerance (dBm)	MPR Allowed per 3GPP(dB)
Frequency (MHz)				1860	1880	1900		
Channel				372000	376000	380000		
20	Pi/2 BPSK	1	1	17.73	17.69	17.70	18.00	0
		1	53	17.54	17.55	17.53	18.00	0
		1	104	17.67	17.60	17.59	18.00	0
		50	0	17.54	17.66	17.63	18.00	0
		50	28	17.62	17.64	17.53	18.00	0
		50	56	17.48	17.51	17.65	18.00	0
	QPSK	100	0	17.62	17.53	17.55	18.00	0
		1	1	17.55	17.61	17.48	18.00	0
		1	53	17.50	17.57	17.60	18.00	0
		1	104	17.61	17.65	17.50	18.00	0
		50	0	17.60	17.64	17.67	18.00	0
		50	28	17.66	17.65	17.66	18.00	0
	16-QAM	50	56	17.59	17.54	17.54	18.00	0
		100	0	17.63	17.58	17.49	18.00	0
		16-QAM	1	1	17.64	17.63	17.59	18.00
64QAM	1	1	17.53	17.56	17.50	18.00	0	
256-QAM	1	1	17.64	17.48	17.58	18.00	0	
Frequency (MHz)				1857.5	1880	1902.5	Target Power + Max. Tolerance (dBm)	MPR Allowed per 3GPP(dB)
Channel				371500	376000	380500		
15	Pi/2 BPSK	1	1	17.50	17.64	17.66	18.00	0
Frequency (MHz)				1855	1880	1905	Target Power + Max. Tolerance (dBm)	MPR Allowed per 3GPP(dB)
Channel				371000	376000	381000		
10	Pi/2 BPSK	1	1	17.53	17.58	17.63	18.00	0
Frequency (MHz)				1852.5	1880	1907.5	Target Power + Max. Tolerance (dBm)	MPR Allowed per 3GPP(dB)
Channel				370500	376000	381500		
5	Pi/2 BPSK	1	1	17.50	17.62	17.56	18.00	0

Unless otherwise stated the results shown in this test report refer only to the sample(s) tested and such sample(s) are retained for 90 days only.

除非另有說明，此報告結果僅對測試之樣品負責，同時此樣品僅保留90天。本報告未經本公司書面許可，不可部份複製。

This document is issued by the Company subject to its General Conditions of Service printed overleaf, available on request or accessible at <http://www.sgs.com.tw/Terms-and-Conditions> and for electronic format documents, subject to Terms and Conditions for Electronic Documents at <http://www.sgs.com.tw/Terms-and-Conditions>. Attention is drawn to the limitation of liability, indemnification and jurisdiction issues defined therein. Any holder of this document is advised that information contained hereon reflects the Company's findings at the time of its intervention only and within the limits of Client's instructions, if any. The Company's sole responsibility is to its Client and this document does not exonerate parties to a transaction from exercising all their rights and obligations under the transaction documents. This document cannot be reproduced except in full, without prior written approval of the Company. Any unauthorized alteration, forgery or falsification of the content or appearance of this document is unlawful and offenders may be prosecuted to the fullest extent of the law.

5G NR n7								
BW(Mhz)	Modulation	RB Size	RB Offset	Conducted power (dBm)			Target Power + Max. Tolerance (dBm)	MPR Allowed per 3GPP(dB)
Frequency (MHz)				2510	2535	2560		
Channel				502000	507000	512000		
20	Pi/2 BPSK	1	1	11.67	11.59	11.68	11.80	0
		1	53	11.50	11.38	11.40	11.80	0
		1	104	11.43	11.39	11.55	11.80	0
		50	0	11.52	11.55	11.48	11.80	0
		50	28	11.42	11.50	11.51	11.80	0
		50	56	11.47	11.57	11.43	11.80	0
		100	0	11.40	11.39	11.42	11.80	0
	QPSK	1	1	11.54	11.51	11.42	11.80	0
		1	53	11.55	11.48	11.38	11.80	0
		1	104	11.42	11.39	11.53	11.80	0
		50	0	11.44	11.49	11.49	11.80	0
		50	28	11.54	11.51	11.51	11.80	0
		50	56	11.54	11.43	11.57	11.80	0
	16-QAM	1	1	11.41	11.49	11.44	11.80	0
64QAM	1	1	11.41	11.50	11.38	11.80	0	
256-QAM	1	1	11.46	11.48	11.56	11.80	0	
Frequency (MHz)				2507.5	2535	2562.5	Target Power + Max. Tolerance (dBm)	MPR Allowed per 3GPP(dB)
Channel				501500	507000	512500		
15	Pi/2 BPSK	1	1	11.51	11.43	11.55	11.80	0
Frequency (MHz)				2505	2535	2565	Target Power + Max. Tolerance (dBm)	MPR Allowed per 3GPP(dB)
Channel				501000	507000	513000		
10	Pi/2 BPSK	1	1	11.39	11.53	11.47	11.80	0
Frequency (MHz)				2502.5	2535	2567.5	Target Power + Max. Tolerance (dBm)	MPR Allowed per 3GPP(dB)
Channel				500500	507000	513500		
5	Pi/2 BPSK	1	1	11.46	11.43	11.41	11.80	0

Unless otherwise stated the results shown in this test report refer only to the sample(s) tested and such sample(s) are retained for 90 days only.

除非另有說明，此報告結果僅對測試之樣品負責，同時此樣品僅保留90天。本報告未經本公司書面許可，不可部份複製。

This document is issued by the Company subject to its General Conditions of Service printed overleaf, available on request or accessible at <http://www.sgs.com.tw/Terms-and-Conditions> and for electronic format documents, subject to Terms and Conditions for Electronic Documents at <http://www.sgs.com.tw/Terms-and-Conditions>. Attention is drawn to the limitation of liability, indemnification and jurisdiction issues defined therein. Any holder of this document is advised that information contained hereon reflects the Company's findings at the time of its intervention only and within the limits of Client's instructions, if any. The Company's sole responsibility is to its Client and this document does not exonerate parties to a transaction from exercising all their rights and obligations under the transaction documents. This document cannot be reproduced except in full, without prior written approval of the Company. Any unauthorized alteration, forgery or falsification of the content or appearance of this document is unlawful and offenders may be prosecuted to the fullest extent of the law.

5G NR n41								
BW(MHz)	Modulation	RB Size	RB Offset	Conducted power (dBm)			Target Power + Max. Tolerance (dBm)	MPR Allowed per 3GPP(dB)
Frequency (MHz)				2546.01	2592.99	2640		
Channel				509202	518598	528000		
15	Pi/2 BPSK	1	1	12.35	12.38	12.30	12.50	0
		1	137	12.18	12.13	12.29	12.50	0
		1	271	12.14	12.24	12.15	12.50	0
		135	0	12.17	12.10	12.24	12.50	0
		135	69	12.21	12.29	12.17	12.50	0
		135	138	12.10	12.19	12.26	12.50	0
		270	0	12.14	12.12	12.17	12.50	0
	QPSK	1	1	12.23	12.11	12.24	12.50	0
		1	137	12.24	12.16	12.27	12.50	0
		1	271	12.27	12.20	12.18	12.50	0
		135	0	12.23	12.22	12.10	12.50	0
		135	69	12.17	12.25	12.10	12.50	0
		135	138	12.28	12.23	12.19	12.50	0
	270	0	12.29	12.16	12.22	12.50	0	
16-QAM	1	1	12.23	12.23	12.22	12.50	0	
64QAM	1	1	12.13	12.14	12.21	12.50	0	
256-QAM	1	1	12.21	12.13	12.18	12.50	0	
Frequency (MHz)				2541	2592.99	2644.98	Target Power + Max. Tolerance (dBm)	MPR Allowed per 3GPP(dB)
Channel				508200	518598	528996		
90	Pi/2 BPSK	1	1	12.11	12.12	12.16	12.50	0
Frequency (MHz)				2536.02	2592.99	2649.99	Target Power + Max. Tolerance (dBm)	MPR Allowed per 3GPP(dB)
Channel				507204	518598	529998		
80	Pi/2 BPSK	1	1	12.19	12.13	12.25	12.50	0
Frequency (MHz)				2526	2592.99	2659.98	Target Power + Max. Tolerance (dBm)	Target Power + Max. Tolerance (dBm)
Channel				505200	518598	531996		
60	Pi/2 BPSK	1	1	12.10	12.23	12.20	12.50	0
Frequency (MHz)				2521.02	2592.99	2664.99	Target Power + Max. Tolerance (dBm)	MPR Allowed per 3GPP(dB)
Channel				504204	518598	532998		
50	Pi/2 BPSK	1	1	12.13	12.26	12.13	12.50	0
Frequency (MHz)				2516.01	2592.99	2670	Target Power + Max. Tolerance (dBm)	Target Power + Max. Tolerance (dBm)
Channel				503202	518598	534000		
40	Pi/2 BPSK	1	1	12.19	12.24	12.17	12.50	0
Frequency (MHz)				2506.02	2592.99	2679.99	Target Power + Max. Tolerance (dBm)	MPR Allowed per 3GPP(dB)
Channel				501204	518598	535998		
20	Pi/2 BPSK	1	1	12.29	12.15	12.28	12.50	0

Unless otherwise stated the results shown in this test report refer only to the sample(s) tested and such sample(s) are retained for 90 days only.

除非另有說明，此報告結果僅對測試之樣品負責，同時此樣品僅保留90天。本報告未經本公司書面許可，不可部份複製。

This document is issued by the Company subject to its General Conditions of Service printed overleaf, available on request or accessible at <http://www.sgs.com.tw/Terms-and-Conditions> and for electronic format documents, subject to Terms and Conditions for Electronic Documents at <http://www.sgs.com.tw/Terms-and-Conditions>. Attention is drawn to the limitation of liability, indemnification and jurisdiction issues defined therein. Any holder of this document is advised that information contained hereon reflects the Company's findings at the time of its intervention only and within the limits of Client's instructions, if any. The Company's sole responsibility is to its Client and this document does not exonerate parties to a transaction from exercising all their rights and obligations under the transaction documents. This document cannot be reproduced except in full, without prior written approval of the Company. Any unauthorized alteration, forgery or falsification of the content or appearance of this document is unlawful and offenders may be prosecuted to the fullest extent of the law.

5G NR n41(HPUE)								
BW(MHz)	Modulation	RB Size	RB Offset	Conducted power (dBm)			Target Power + Max. Tolerance (dBm)	MPR Allowed per 3GPP(dB)
Frequency (MHz)				2546.01	2592.99	2640		
Channel				509202	518598	528000		
15	Pi/2 BPSK	1	1	14.72	14.62	14.66	14.90	0
		1	137	14.49	14.46	14.40	14.90	0
		1	271	14.59	14.47	14.46	14.90	0
		135	0	14.41	14.47	14.57	14.90	0
		135	69	14.49	14.48	14.56	14.90	0
		135	138	14.51	14.42	14.49	14.90	0
		270	0	14.07	13.94	13.97	14.40	0-0.5
	QPSK	1	1	14.47	14.49	14.57	14.90	0
		1	137	14.40	14.58	14.50	14.90	0
		1	271	14.50	14.58	14.40	14.90	0
		135	0	14.47	14.54	14.40	14.90	0
		135	69	14.50	14.44	14.43	14.90	0
		135	138	14.40	14.40	14.41	14.90	0
	270	0	13.54	13.48	13.43	13.90	0-1	
16-QAM	1	1	13.45	13.58	13.59	13.90	0-1	
64QAM	1	1	12.03	12.02	12.02	12.40	0-2.5	
256-QAM	1	1	9.91	9.96	9.91	10.40	0-4.5	
Frequency (MHz)							Target Power + Max. Tolerance (dBm)	MPR Allowed per 3GPP(dB)
Channel								
90	Pi/2 BPSK	1	1	14.58	14.41	14.48	14.90	0
Frequency (MHz)							Target Power + Max. Tolerance (dBm)	MPR Allowed per 3GPP(dB)
Channel								
80	Pi/2 BPSK	1	1	14.41	14.57	14.44	14.90	0
Frequency (MHz)							Target Power + Max. Tolerance (dBm)	Target Power + Max. Tolerance (dBm)
Channel								
60	Pi/2 BPSK	1	1	14.40	14.42	14.57	14.90	0
Frequency (MHz)							Target Power + Max. Tolerance (dBm)	MPR Allowed per 3GPP(dB)
Channel								
50	Pi/2 BPSK	1	1	14.56	14.48	14.59	14.90	0
Frequency (MHz)							Target Power + Max. Tolerance (dBm)	Target Power + Max. Tolerance (dBm)
Channel								
40	Pi/2 BPSK	1	1	14.51	14.56	14.47	14.90	0
Frequency (MHz)							Target Power + Max. Tolerance (dBm)	MPR Allowed per 3GPP(dB)
Channel								
20	Pi/2 BPSK	1	1	14.52	14.41	14.54	14.90	0

Unless otherwise stated the results shown in this test report refer only to the sample(s) tested and such sample(s) are retained for 90 days only.

除非另有說明，此報告結果僅對測試之樣品負責，同時此樣品僅保留90天。本報告未經本公司書面許可，不可部份複製。

This document is issued by the Company subject to its General Conditions of Service printed overleaf, available on request or accessible at <http://www.sgs.com.tw/Terms-and-Conditions> and for electronic format documents, subject to Terms and Conditions for Electronic Documents at <http://www.sgs.com.tw/Terms-and-Conditions>. Attention is drawn to the limitation of liability, indemnification and jurisdiction issues defined therein. Any holder of this document is advised that information contained hereon reflects the Company's findings at the time of its intervention only and within the limits of Client's instructions, if any. The Company's sole responsibility is to its Client and this document does not exonerate parties to a transaction from exercising all their rights and obligations under the transaction documents. This document cannot be reproduced except in full, without prior written approval of the Company. Any unauthorized alteration, forgery or falsification of the content or appearance of this document is unlawful and offenders may be prosecuted to the fullest extent of the law.

5G NR n66								
BW(Mhz)	Modulation	RB Size	RB Offset	Conducted power (dBm)			Target Power + Max. Tolerance (dBm)	MPR Allowed per 3GPP(dB)
Frequency (MHz)				1720	1745	1770		
Channel				344000	349000	354000		
20	Pi/2 BPSK	1	1	13.66	13.68	13.62	13.80	0
		1	53	13.45	13.49	13.59	13.80	0
		1	104	13.53	13.45	13.47	13.80	0
		50	0	13.53	13.57	13.53	13.80	0
		50	28	13.45	13.41	13.42	13.80	0
		50	56	13.57	13.45	13.57	13.80	0
		100	0	13.47	13.46	13.59	13.80	0
	QPSK	1	1	13.44	13.44	13.53	13.80	0
		1	53	13.52	13.54	13.43	13.80	0
		1	104	13.55	13.42	13.54	13.80	0
		50	0	13.54	13.45	13.45	13.80	0
		50	28	13.50	13.41	13.40	13.80	0
		50	56	13.54	13.53	13.48	13.80	0
	100	0	13.44	13.46	13.46	13.80	0	
16-QAM	1	1	13.54	13.57	13.43	13.80	0	
64QAM	1	1	13.49	13.51	13.52	13.80	0	
256-QAM	1	1	13.55	13.52	13.45	13.80	0	
Frequency (MHz)				1717.5	1745	1772.5	Target Power + Max. Tolerance (dBm)	MPR Allowed per 3GPP(dB)
Channel				343500	349000	354500		
15	Pi/2 BPSK	1	1	13.58	13.52	13.47	13.80	0
Frequency (MHz)				1715	1745	1775	Target Power + Max. Tolerance (dBm)	MPR Allowed per 3GPP(dB)
Channel				343000	349000	355000		
10	Pi/2 BPSK	1	1	13.42	13.59	13.58	13.80	0
Frequency (MHz)				1712.5	1745	1777.5	Target Power + Max. Tolerance (dBm)	MPR Allowed per 3GPP(dB)
Channel				342500	349000	355500		
5	Pi/2 BPSK	1	1	13.54	13.54	13.57	13.80	0

Unless otherwise stated the results shown in this test report refer only to the sample(s) tested and such sample(s) are retained for 90 days only.

除非另有說明，此報告結果僅對測試之樣品負責，同時此樣品僅保留90天。本報告未經本公司書面許可，不可部份複製。

This document is issued by the Company subject to its General Conditions of Service printed overleaf, available on request or accessible at <http://www.sgs.com.tw/Terms-and-Conditions> and for electronic format documents, subject to Terms and Conditions for Electronic Documents at <http://www.sgs.com.tw/Terms-and-Conditions>. Attention is drawn to the limitation of liability, indemnification and jurisdiction issues defined therein. Any holder of this document is advised that information contained hereon reflects the Company's findings at the time of its intervention only and within the limits of Client's instructions, if any. The Company's sole responsibility is to its Client and this document does not exonerate parties to a transaction from exercising all their rights and obligations under the transaction documents. This document cannot be reproduced except in full, without prior written approval of the Company. Any unauthorized alteration, forgery or falsification of the content or appearance of this document is unlawful and offenders may be prosecuted to the fullest extent of the law.

1.3.1 Intra-band ULCA power table

Notebook mode

CA_5B														
Combination 50RB + 50RB (10MHz + 10MHz)														
PCC						SCC						UL CA power		
Bandwidth [MHz]	Modulation	Frequency [MHz]	Channel	RB size	RB Offset	Bandwidth [MHz]	Modulation	Frequency [MHz]	Channel	RB size	RB Offset	MPR (dB)	Measured (dBm)	Tune-up limit (dBm)
10	QPSK	829	20450	1	0	10	QPSK	838.9	20549	1	49	0	24.11	24.50
10	QPSK	844	20600	1	0	10	QPSK	834.1	20501	1	49	0	23.93	24.50

CA_5B														
Combination 50RB + 25RB (10MHz + 5MHz)														
PCC						SCC						UL CA power		
Bandwidth [MHz]	Modulation	Frequency [MHz]	Channel	RB size	RB Offset	Bandwidth [MHz]	Modulation	Frequency [MHz]	Channel	RB size	RB Offset	MPR (dB)	Measured (dBm)	Tune-up limit (dBm)
10	QPSK	829	20450	1	0	5	QPSK	836.2	20522	1	24	0	24.05	24.50

CA_7C														
Combination 100RB + 100RB (20MHz + 20MHz)														
PCC						SCC						UL CA power		
Bandwidth [MHz]	Modulation	Frequency [MHz]	Channel	RB size	RB Offset	Bandwidth [MHz]	Modulation	Frequency [MHz]	Channel	RB size	RB Offset	MPR (dB)	Measured (dBm)	Tune-up limit (dBm)
20	QPSK	2510	20850	1	0	20	QPSK	2529.8	21048	1	99	0	18.51	18.60
20	QPSK	2560	21350	1	0	20	QPSK	2540.2	21152	1	99	0	18.44	18.60

CA_7C														
Combination 75RB + 100RB (15MHz + 20MHz)														
PCC						SCC						UL CA power		
Bandwidth [MHz]	Modulation	Frequency [MHz]	Channel	RB size	RB Offset	Bandwidth [MHz]	Modulation	Frequency [MHz]	Channel	RB size	RB Offset	MPR (dB)	Measured (dBm)	Tune-up limit (dBm)
20	QPSK	2510	20850	1	0	15	QPSK	2527.1	21021	1	74	0	18.46	18.60
20	QPSK	2560	21350	1	0	15	QPSK	2542.9	21179	1	74	0	18.41	18.60

CA_7C														
Combination 75RB + 75RB (15MHz + 15MHz)														
PCC						SCC						UL CA power		
Bandwidth [MHz]	Modulation	Frequency [MHz]	Channel	RB size	RB Offset	Bandwidth [MHz]	Modulation	Frequency [MHz]	Channel	RB size	RB Offset	MPR (dB)	Measured (dBm)	Tune-up limit (dBm)
15	QPSK	2507.5	20825	1	0	15	QPSK	2522.5	20975	1	74	0	18.39	18.60
15	QPSK	2562.5	21375	1	74	15	QPSK	2547.5	21225	1	0	0	18.35	18.60

CA_7C														
Combination 75RB + 50RB (15MHz + 10MHz)														
PCC						SCC						UL CA power		
Bandwidth [MHz]	Modulation	Frequency [MHz]	Channel	RB size	RB Offset	Bandwidth [MHz]	Modulation	Frequency [MHz]	Channel	RB size	RB Offset	MPR (dB)	Measured (dBm)	Tune-up limit (dBm)
15	QPSK	2507.5	20825	1	0	10	QPSK	2519.5	20945	1	49	0	18.36	18.60

CA_7C														
Combination 50RB + 100RB (10MHz + 20MHz)														
PCC						SCC						UL CA power		
Bandwidth [MHz]	Modulation	Frequency [MHz]	Channel	RB size	RB Offset	Bandwidth [MHz]	Modulation	Frequency [MHz]	Channel	RB size	RB Offset	MPR (dB)	Measured (dBm)	Tune-up limit (dBm)
20	QPSK	2510	20850	1	0	10	QPSK	2524.4	20994	1	49	0	18.37	18.60

Unless otherwise stated the results shown in this test report refer only to the sample(s) tested and such sample(s) are retained for 90 days only.

除非另有說明，此報告結果僅對測試之樣品負責，同時此樣品僅保留90天。本報告未經本公司書面許可，不可部份複製。

This document is issued by the Company subject to its General Conditions of Service printed overleaf, available on request or accessible at <http://www.sgs.com.tw/Terms-and-Conditions> and for electronic format documents, subject to Terms and Conditions for Electronic Documents at <http://www.sgs.com.tw/Terms-and-Conditions>. Attention is drawn to the limitation of liability, indemnification and jurisdiction issues defined therein. Any holder of this document is advised that information contained hereon reflects the Company's findings at the time of its intervention only and within the limits of Client's instructions, if any. The Company's sole responsibility is to its Client and this document does not exonerate parties to a transaction from exercising all their rights and obligations under the transaction documents. This document cannot be reproduced except in full, without prior written approval of the Company. Any unauthorized alteration, forgery or falsification of the content or appearance of this document is unlawful and offenders may be prosecuted to the fullest extent of the law.

CA_66B														
Combination 50RB + 50RB (10MHz + 10MHz)														
PCC						SCC						MPR (dB)	UL CA power	
Bandwidth [MHz]	Modulation	Frequency [MHz]	Channel	RB size	RB Offset	Bandwidth h [MHz]	Modulation	Frequency [MHz]	Channel	RB size	RB Offset		Measured (dBm)	Tune-up limit (dBm)
10	QPSK	1715	132022	1	0	10	QPSK	1724.9	132121	1	49	0	19.09	19.40
10	QPSK	1775	132622	1	49	10	QPSK	1765.1	132523	1	0	0	19.02	19.40

CA_66B														
Combination 25RB + 75RB (5MHz + 15MHz)														
PCC						SCC						MPR (dB)	UL CA power	
Bandwidth [MHz]	Modulation	Frequency [MHz]	Channel	RB size	RB Offset	Bandwidth h [MHz]	Modulation	Frequency [MHz]	Channel	RB size	RB Offset		Measured (dBm)	Tune-up limit (dBm)
15	QPSK	1717.5	132047	1	36	5	QPSK	1726.8	132140	1	0	0	19.03	19.40
15	QPSK	1772.5	132597	1	74	5	QPSK	1763.2	132504	1	0	0	19.01	19.40

CA_66B														
Combination 25RB + 50RB (5MHz + 10MHz)														
PCC						SCC						MPR (dB)	UL CA power	
Bandwidth [MHz]	Modulation	Frequency [MHz]	Channel	RB size	RB Offset	Bandwidth h [MHz]	Modulation	Frequency [MHz]	Channel	RB size	RB Offset		Measured (dBm)	Tune-up limit (dBm)
10	QPSK	1715	132022	1	0	5	QPSK	1722.2	132094	1	24	0	19.05	19.40
10	QPSK	1775	132622	1	49	5	QPSK	1767.8	132550	1	0	0	18.98	19.40

CA_66B														
Combination 25RB + 25RB (5MHz + 5MHz)														
PCC						SCC						MPR (dB)	UL CA power	
Bandwidth [MHz]	Modulation	Frequency [MHz]	Channel	RB size	RB Offset	Bandwidth h [MHz]	Modulation	Frequency [MHz]	Channel	RB size	RB Offset		Measured (dBm)	Tune-up limit (dBm)
5	QPSK	1777.5	132647	1	12	5	QPSK	1772.7	132599	1	0	0	18.87	19.40
5	QPSK	1712.5	131997	1	24	5	QPSK	1717.3	132045	1	0	0	18.79	19.40

Unless otherwise stated the results shown in this test report refer only to the sample(s) tested and such sample(s) are retained for 90 days only.

除非另有說明，此報告結果僅對測試之樣品負責，同時此樣品僅保留90天。本報告未經本公司書面許可，不可部份複製。

This document is issued by the Company subject to its General Conditions of Service printed overleaf, available on request or accessible at <http://www.sgs.com.tw/Terms-and-Conditions> and for electronic format documents, subject to Terms and Conditions for Electronic Documents at <http://www.sgs.com.tw/Terms-and-Conditions>. Attention is drawn to the limitation of liability, indemnification and jurisdiction issues defined therein. Any holder of this document is advised that information contained hereon reflects the Company's findings at the time of its intervention only and within the limits of Client's instructions, if any. The Company's sole responsibility is to its Client and this document does not exonerate parties to a transaction from exercising all their rights and obligations under the transaction documents. This document cannot be reproduced except in full, without prior written approval of the Company. Any unauthorized alteration, forgery or falsification of the content or appearance of this document is unlawful and offenders may be prosecuted to the fullest extent of the law.

CA_66C														
Combination 100RB + 100RB (20MHz + 20MHz)														
PCC						SCC						MPR (dB)	UL CA power	
Bandwidth [MHz]	Modulation	Frequency [MHz]	Channel	RB size	RB Offset	Bandwidth [MHz]	Modulation	Frequency [MHz]	Channel	RB size	RB Offset		Measured (dBm)	Tune-up limit (dBm)
20	QPSK	1770	132572	1	0	20	QPSK	1750.2	132374	1	99	0	19.23	19.40
20	QPSK	1720	132072	1	0	20	QPSK	1739.8	132270	1	99	0	19.17	19.40

CA_66C														
Combination 100RB + 25RB (20MHz + 5MHz)														
PCC						SCC						MPR (dB)	UL CA power	
Bandwidth [MHz]	Modulation	Frequency [MHz]	Channel	RB size	RB Offset	Bandwidth [MHz]	Modulation	Frequency [MHz]	Channel	RB size	RB Offset		Measured (dBm)	Tune-up limit (dBm)
20	QPSK	1770	132572	1	0	5	QPSK	1758.3	132455	1	24	0	19.19	19.40
20	QPSK	1720	132072	1	0	5	QPSK	1731.7	132189	1	24	0	19.12	19.40

CA_66C														
Combination 75RB + 100RB (15MHz + 20MHz)														
PCC						SCC						MPR (dB)	UL CA power	
Bandwidth [MHz]	Modulation	Frequency [MHz]	Channel	RB size	RB Offset	Bandwidth [MHz]	Modulation	Frequency [MHz]	Channel	RB size	RB Offset		Measured (dBm)	Tune-up limit (dBm)
20	QPSK	1770	132572	1	0	15	QPSK	1752.9	132401	1	74	0	19.16	19.40
20	QPSK	1720	132072	1	0	15	QPSK	1737.1	132243	1	74	0	19.06	19.40

CA_66C														
Combination 75RB + 75RB (15MHz + 15MHz)														
PCC						SCC						MPR (dB)	UL CA power	
Bandwidth [MHz]	Modulation	Frequency [MHz]	Channel	RB size	RB Offset	Bandwidth [MHz]	Modulation	Frequency [MHz]	Channel	RB size	RB Offset		Measured (dBm)	Tune-up limit (dBm)
15	QPSK	1717.5	132047	1	36	15	QPSK	1732.5	132197	1	74	0	19.12	19.40
15	QPSK	1772.5	132597	1	74	15	QPSK	1757.5	132447	1	0	0	19.08	19.40

CA_66C														
Combination 50RB + 100RB (10MHz + 20MHz)														
PCC						SCC						MPR (dB)	UL CA power	
Bandwidth [MHz]	Modulation	Frequency [MHz]	Channel	RB size	RB Offset	Bandwidth [MHz]	Modulation	Frequency [MHz]	Channel	RB size	RB Offset		Measured (dBm)	Tune-up limit (dBm)
20	QPSK	1770	132572	1	0	10	QPSK	1755.6	132428	1	49	0	19.13	19.40
20	QPSK	1720	132072	1	0	10	QPSK	1734.4	132216	1	49	0	19.04	19.40

CA_66C														
Combination 50RB + 75RB (10MHz + 15MHz)														
PCC						SCC						MPR (dB)	UL CA power	
Bandwidth [MHz]	Modulation	Frequency [MHz]	Channel	RB size	RB Offset	Bandwidth [MHz]	Modulation	Frequency [MHz]	Channel	RB size	RB Offset		Measured (dBm)	Tune-up limit (dBm)
15	QPSK	1717.5	132047	1	36	10	QPSK	1729.5	132167	1	49	0	19.04	19.40
15	QPSK	1772.5	132597	1	74	10	QPSK	1760.5	132477	1	0	0	18.98	19.40

CA_38C														
Combination 100RB + 100RB (20MHz + 20MHz)														
PCC						SCC						MPR (dB)	UL CA power	
Bandwidth [MHz]	Modulation	Frequency [MHz]	Channel	RB size	RB Offset	Bandwidth [MHz]	Modulation	Frequency [MHz]	Channel	RB size	RB Offset		Measured (dBm)	Tune-up limit (dBm)
20	QPSK	2580	37850	1	0	20	QPSK	2599.8	38048	1	99	0	22.11	22.20
20	QPSK	2610	38150	1	0	20	QPSK	2590.2	37952	1	99	0	22.05	22.20

CA_38C														
Combination 75RB + 75RB (15MHz + 15MHz)														
PCC						SCC						MPR (dB)	UL CA power	
Bandwidth [MHz]	Modulation	Frequency [MHz]	Channel	RB size	RB Offset	Bandwidth [MHz]	Modulation	Frequency [MHz]	Channel	RB size	RB Offset		Measured (dBm)	Tune-up limit (dBm)
15	QPSK	2577.5	37825	1	0	15	QPSK	2592.5	37975	1	74	0	21.99	22.20
15	QPSK	2612.5	38175	1	74	15	QPSK	2597.5	38025	1	0	0	21.91	22.20

Unless otherwise stated the results shown in this test report refer only to the sample(s) tested and such sample(s) are retained for 90 days only.

除非另有說明，此報告結果僅對測試之樣品負責，同時此樣品僅保留90天。本報告未經本公司書面許可，不可部份複製。

This document is issued by the Company subject to its General Conditions of Service printed overleaf, available on request or accessible at <http://www.sgs.com.tw/Terms-and-Conditions> and for electronic format documents, subject to Terms and Conditions for Electronic Documents at <http://www.sgs.com.tw/Terms-and-Conditions>. Attention is drawn to the limitation of liability, indemnification and jurisdiction issues defined therein. Any holder of this document is advised that information contained hereon reflects the Company's findings at the time of its intervention only and within the limits of Client's instructions, if any. The Company's sole responsibility is to its Client and this document does not exonerate parties to a transaction from exercising all their rights and obligations under the transaction documents. This document cannot be reproduced except in full, without prior written approval of the Company. Any unauthorized alteration, forgery or falsification of the content or appearance of this document is unlawful and offenders may be prosecuted to the fullest extent of the law.

CA 41C														
Combination 100RB + 100RB (20MHz + 20MHz)														
PCC						SCC						MPR (dB)	UL CA power	
Bandwidth [MHz]	Modulation	Frequency [MHz]	Channel	RB size	RB Offset	Bandwidth [MHz]	Modulation	Frequency [MHz]	Channel	RB size	RB Offset		Measured (dBm)	Tune-up limit (dBm)
20	QPSK	2506	39750	1	0	20	QPSK	2525.8	39948	1	99	0	22.17	22.30
20	QPSK	2680	41490	1	0	20	QPSK	2660.2	41292	1	99	0	22.12	22.30

CA 41C														
Combination 75RB + 100RB (15MHz + 20MHz)														
PCC						SCC						MPR (dB)	UL CA power	
Bandwidth [MHz]	Modulation	Frequency [MHz]	Channel	RB size	RB Offset	Bandwidth [MHz]	Modulation	Frequency [MHz]	Channel	RB size	RB Offset		Measured (dBm)	Tune-up limit (dBm)
20	QPSK	2506	39750	1	0	15	QPSK	2523.1	39921	1	74	0	22.14	22.30
20	QPSK	2680	41490	1	0	15	QPSK	2662.9	41319	1	74	0	22.08	22.30

CA 41C														
Combination 75RB + 75RB (15MHz + 15MHz)														
PCC						SCC						MPR (dB)	UL CA power	
Bandwidth [MHz]	Modulation	Frequency [MHz]	Channel	RB size	RB Offset	Bandwidth [MHz]	Modulation	Frequency [MHz]	Channel	RB size	RB Offset		Measured (dBm)	Tune-up limit (dBm)
15	QPSK	2503.5	39725	1	0	15	QPSK	2518.5	39875	1	74	0	22.01	22.30
15	QPSK	2682.5	41515	1	74	15	QPSK	2667.5	41365	1	0	0	21.95	22.30

CA 41C														
Combination 50RB + 100RB (10MHz + 20MHz)														
PCC						SCC						MPR (dB)	UL CA power	
Bandwidth [MHz]	Modulation	Frequency [MHz]	Channel	RB size	RB Offset	Bandwidth [MHz]	Modulation	Frequency [MHz]	Channel	RB size	RB Offset		Measured (dBm)	Tune-up limit (dBm)
20	QPSK	2506	39750	1	0	10	QPSK	2520.4	39894	1	49	0	22.09	22.30
20	QPSK	2680	41490	1	0	10	QPSK	2665.6	41346	1	49	0	22.02	22.30

CA 41C														
Combination 50RB + 75RB (10MHz + 15MHz)														
PCC						SCC						MPR (dB)	UL CA power	
Bandwidth [MHz]	Modulation	Frequency [MHz]	Channel	RB size	RB Offset	Bandwidth [MHz]	Modulation	Frequency [MHz]	Channel	RB size	RB Offset		Measured (dBm)	Tune-up limit (dBm)
15	QPSK	2503.5	39725	1	0	10	QPSK	2515.5	39845	1	49	0	21.96	22.30
15	QPSK	2682.5	41515	1	74	10	QPSK	2670.5	41395	1	0	0	21.91	22.30

CA 41C														
Combination 25RB + 100RB (5MHz + 20MHz)														
PCC						SCC						MPR (dB)	UL CA power	
Bandwidth [MHz]	Modulation	Frequency [MHz]	Channel	RB size	RB Offset	Bandwidth [MHz]	Modulation	Frequency [MHz]	Channel	RB size	RB Offset		Measured (dBm)	Tune-up limit (dBm)
20	QPSK	2506	39750	1	0	5	QPSK	2517.7	39867	1	24	0	22.03	22.30
20	QPSK	2680	41490	1	0	5	QPSK	2668.3	41373	1	24	0	21.94	22.30

CA 48C														
Combination 100RB + 100RB (20MHz + 20MHz)														
PCC						SCC						MPR (dB)	UL CA power	
Bandwidth [MHz]	Modulation	Frequency [MHz]	Channel	RB size	RB Offset	Bandwidth [MHz]	Modulation	Frequency [MHz]	Channel	RB size	RB Offset		Measured (dBm)	Tune-up limit (dBm)
20	QPSK	3560	55340	1	0	20	QPSK	3579.8	55538	1	99	0	21.47	22.00
20	QPSK	3690	56640	1	0	20	QPSK	3670.2	56442	1	99	0	21.39	22.00

CA 48C														
Combination 75RB + 100RB (15MHz + 20MHz)														
PCC						SCC						MPR (dB)	UL CA power	
Bandwidth [MHz]	Modulation	Frequency [MHz]	Channel	RB size	RB Offset	Bandwidth [MHz]	Modulation	Frequency [MHz]	Channel	RB size	RB Offset		Measured (dBm)	Tune-up limit (dBm)
20	QPSK	3560	55340	1	0	15	QPSK	3577.1	55511	1	74	0	21.44	22.00
20	QPSK	3690	56640	1	0	15	QPSK	3672.9	56469	1	74	0	21.36	22.00

CA 48C														
Combination 50RB + 100RB (10MHz + 20MHz)														
PCC						SCC						MPR (dB)	UL CA power	
Bandwidth [MHz]	Modulation	Frequency [MHz]	Channel	RB size	RB Offset	Bandwidth [MHz]	Modulation	Frequency [MHz]	Channel	RB size	RB Offset		Measured (dBm)	Tune-up limit (dBm)
20	QPSK	3560	55340	1	0	10	QPSK	3675.6	56496	1	49	0	21.37	22.00
20	QPSK	3690	56640	1	0	10	QPSK	3574.4	55484	1	49	0	21.31	22.00

CA 48C														
Combination 25RB + 100RB (5MHz + 20MHz)														
PCC						SCC						MPR (dB)	UL CA power	
Bandwidth [MHz]	Modulation	Frequency [MHz]	Channel	RB size	RB Offset	Bandwidth [MHz]	Modulation	Frequency [MHz]	Channel	RB size	RB Offset		Measured (dBm)	Tune-up limit (dBm)
20	QPSK	3560	55340	1	0	5	QPSK	3678.3	56523	1	24	0	21.33	22.00
20	QPSK	3690	56640	1	0	5	QPSK	3571.7	55457	1	24	0	21.25	22.00

Unless otherwise stated the results shown in this test report refer only to the sample(s) tested and such sample(s) are retained for 90 days only.

除非另有說明，此報告結果僅對測試之樣品負責，同時此樣品僅保留90天。本報告未經本公司書面許可，不可部份複製。

This document is issued by the Company subject to its General Conditions of Service printed overleaf, available on request or accessible at <http://www.sgs.com.tw/Terms-and-Conditions> and for electronic format documents, subject to Terms and Conditions for Electronic Documents at <http://www.sgs.com.tw/Terms-and-Conditions>. Attention is drawn to the limitation of liability, indemnification and jurisdiction issues defined therein. Any holder of this document is advised that information contained hereon reflects the Company's findings at the time of its intervention only and within the limits of Client's instructions, if any. The Company's sole responsibility is to its Client and this document does not exonerate parties to a transaction from exercising all their rights and obligations under the transaction documents. This document cannot be reproduced except in full, without prior written approval of the Company. Any unauthorized alteration, forgery or falsification of the content or appearance of this document is unlawful and offenders may be prosecuted to the fullest extent of the law.

Tablet mode

CA_5B														
Combination 50RB + 50RB (10MHz + 10MHz)														
PCC						SCC						MPR (dB)	UL CA power	
Bandwidth [MHz]	Modulation	Frequency [MHz]	Channel	RB size	RB Offset	Bandwidth [MHz]	Modulation	Frequency [MHz]	Channel	RB size	RB Offset		Measured (dBm)	Tune-up limit (dBm)
10	QPSK	829	20450	1	0	10	QPSK	838.9	20549	1	49	0	21.61	21.70
10	QPSK	844	20600	1	0	10	QPSK	834.1	20501	1	49	0	21.53	21.70

CA_5B														
Combination 50RB + 25RB (10MHz + 5MHz)														
PCC						SCC						MPR (dB)	UL CA power	
Bandwidth [MHz]	Modulation	Frequency [MHz]	Channel	RB size	RB Offset	Bandwidth [MHz]	Modulation	Frequency [MHz]	Channel	RB size	RB Offset		Measured (dBm)	Tune-up limit (dBm)
10	QPSK	829	20450	1	0	5	QPSK	836.2	20522	1	49	0	21.59	21.70

CA_7C														
Combination 100RB + 100RB (20MHz + 20MHz)														
PCC						SCC						MPR (dB)	UL CA power	
Bandwidth [MHz]	Modulation	Frequency [MHz]	Channel	RB size	RB Offset	Bandwidth [MHz]	Modulation	Frequency [MHz]	Channel	RB size	RB Offset		Measured (dBm)	Tune-up limit (dBm)
20	QPSK	2510	20850	1	0	20	QPSK	2529.8	21048	1	99	0	14.41	14.50
20	QPSK	2560	21350	1	0	20	QPSK	2540.2	21152	1	99	0	14.37	14.50

CA_7C														
Combination 75RB + 100RB (15MHz + 20MHz)														
PCC						SCC						MPR (dB)	UL CA power	
Bandwidth [MHz]	Modulation	Frequency [MHz]	Channel	RB size	RB Offset	Bandwidth [MHz]	Modulation	Frequency [MHz]	Channel	RB size	RB Offset		Measured (dBm)	Tune-up limit (dBm)
20	QPSK	2510	20850	1	0	15	QPSK	2527.1	21021	1	99	0	14.38	14.50
20	QPSK	2560	21350	1	0	15	QPSK	2542.9	21179	1	99	0	14.33	14.50

CA_7C														
Combination 75RB + 75RB (15MHz + 15MHz)														
PCC						SCC						MPR (dB)	UL CA power	
Bandwidth [MHz]	Modulation	Frequency [MHz]	Channel	RB size	RB Offset	Bandwidth [MHz]	Modulation	Frequency [MHz]	Channel	RB size	RB Offset		Measured (dBm)	Tune-up limit (dBm)
15	QPSK	2507.5	20825	1	0	15	QPSK	2522.5	20975	1	74	0	14.11	14.50
15	QPSK	2562.5	21375	1	0	15	QPSK	2547.5	21225	1	74	0	14.23	14.50

CA_7C														
Combination 75RB + 50RB (15MHz + 10MHz)														
PCC						SCC						MPR (dB)	UL CA power	
Bandwidth [MHz]	Modulation	Frequency [MHz]	Channel	RB size	RB Offset	Bandwidth [MHz]	Modulation	Frequency [MHz]	Channel	RB size	RB Offset		Measured (dBm)	Tune-up limit (dBm)
15	QPSK	2507.5	20825	1	0	10	QPSK	2519.5	20945	1	49	0	14.05	14.50

CA_7C														
Combination 50RB + 100RB (10MHz + 20MHz)														
PCC						SCC						MPR (dB)	UL CA power	
Bandwidth [MHz]	Modulation	Frequency [MHz]	Channel	RB size	RB Offset	Bandwidth [MHz]	Modulation	Frequency [MHz]	Channel	RB size	RB Offset		Measured (dBm)	Tune-up limit (dBm)
20	QPSK	2510	20850	1	0	10	QPSK	2524.4	20994	1	49	0	14.29	14.50

Unless otherwise stated the results shown in this test report refer only to the sample(s) tested and such sample(s) are retained for 90 days only.

除非另有說明，此報告結果僅對測試之樣品負責，同時此樣品僅保留90天。本報告未經本公司書面許可，不可部份複製。

This document is issued by the Company subject to its General Conditions of Service printed overleaf, available on request or accessible at <http://www.sgs.com.tw/Terms-and-Conditions> and for electronic format documents, subject to Terms and Conditions for Electronic Documents at <http://www.sgs.com.tw/Terms-and-Conditions>. Attention is drawn to the limitation of liability, indemnification and jurisdiction issues defined therein. Any holder of this document is advised that information contained hereon reflects the Company's findings at the time of its intervention only and within the limits of Client's instructions, if any. The Company's sole responsibility is to its Client and this document does not exonerate parties to a transaction from exercising all their rights and obligations under the transaction documents. This document cannot be reproduced except in full, without prior written approval of the Company. Any unauthorized alteration, forgery or falsification of the content or appearance of this document is unlawful and offenders may be prosecuted to the fullest extent of the law.

CA_66B														
Combination 50RB + 50RB (10MHz + 10MHz)														
PCC						SCC						MPR (dB)	UL CA power	
Bandwidth [MHz]	Modulation	Frequency [MHz]	Channel	RB size	RB Offset	Bandwidth h [MHz]	Modulation	Frequency [MHz]	Channel	RB size	RB Offset		Measured (dBm)	Tune-up limit (dBm)
10	QPSK	1715	132022	1	25	10	QPSK	1724.9	132121	1	49	0	16.35	16.70
10	QPSK	1775	132622	1	0	10	QPSK	1765.1	132523	1	0	0	16.28	16.70

CA_66B														
Combination 25RB + 75RB (5MHz + 15MHz)														
PCC						SCC						MPR (dB)	UL CA power	
Bandwidth [MHz]	Modulation	Frequency [MHz]	Channel	RB size	RB Offset	Bandwidth h [MHz]	Modulation	Frequency [MHz]	Channel	RB size	RB Offset		Measured (dBm)	Tune-up limit (dBm)
15	QPSK	1772.5	132597	1	36	5	QPSK	1763.2	132504	1	0	0	16.31	16.70
15	QPSK	1717.5	132047	1	0	5	QPSK	1726.8	132140	1	24	0	26.23	16.70

CA_66B														
Combination 25RB + 50RB (5MHz + 10MHz)														
PCC						SCC						MPR (dB)	UL CA power	
Bandwidth [MHz]	Modulation	Frequency [MHz]	Channel	RB size	RB Offset	Bandwidth h [MHz]	Modulation	Frequency [MHz]	Channel	RB size	RB Offset		Measured (dBm)	Tune-up limit (dBm)
10	QPSK	1715	132022	1	25	5	QPSK	1722.2	132094	1	49	0	16.29	16.70
10	QPSK	1775	132622	1	0	5	QPSK	1767.8	132550	1	0	0	16.24	16.70

CA_66B														
Combination 25RB + 25RB (5MHz + 5MHz)														
PCC						SCC						MPR (dB)	UL CA power	
Bandwidth [MHz]	Modulation	Frequency [MHz]	Channel	RB size	RB Offset	Bandwidth h [MHz]	Modulation	Frequency [MHz]	Channel	RB size	RB Offset		Measured (dBm)	Tune-up limit (dBm)
5	QPSK	1712.5	131997	1	12	5	QPSK	1717.3	132045	1	0	0	16.26	16.70
5	QPSK	1777.5	132647	1	0	5	QPSK	1772.7	132599	1	24	0	16.21	16.70

Unless otherwise stated the results shown in this test report refer only to the sample(s) tested and such sample(s) are retained for 90 days only.

除非另有說明，此報告結果僅對測試之樣品負責，同時此樣品僅保留90天。本報告未經本公司書面許可，不可部份複製。

This document is issued by the Company subject to its General Conditions of Service printed overleaf, available on request or accessible at <http://www.sgs.com.tw/Terms-and-Conditions> and for electronic format documents, subject to Terms and Conditions for Electronic Documents at <http://www.sgs.com.tw/Terms-and-Conditions>. Attention is drawn to the limitation of liability, indemnification and jurisdiction issues defined therein. Any holder of this document is advised that information contained hereon reflects the Company's findings at the time of its intervention only and within the limits of Client's instructions, if any. The Company's sole responsibility is to its Client and this document does not exonerate parties to a transaction from exercising all their rights and obligations under the transaction documents. This document cannot be reproduced except in full, without prior written approval of the Company. Any unauthorized alteration, forgery or falsification of the content or appearance of this document is unlawful and offenders may be prosecuted to the fullest extent of the law.

CA_66C														
Combination 100RB + 100RB (20MHz + 20MHz)														
PCC						SCC						MPR (dB)	UL CA power	
Bandwidth [MHz]	Modulation	Frequency [MHz]	Channel	RB size	RB Offset	Bandwidth [MHz]	Modulation	Frequency [MHz]	Channel	RB size	RB Offset		Measured (dBm)	Tune-up limit (dBm)
20	QPSK	1720	132072	1	0	20	QPSK	1739.8	132270	1	99	0	16.51	16.70
20	QPSK	1770	132572	1	0	20	QPSK	1750.2	132374	1	99	0	16.36	16.70

CA_66C														
Combination 100RB + 25RB (20MHz + 5MHz)														
PCC						SCC						MPR (dB)	UL CA power	
Bandwidth [MHz]	Modulation	Frequency [MHz]	Channel	RB size	RB Offset	Bandwidth [MHz]	Modulation	Frequency [MHz]	Channel	RB size	RB Offset		Measured (dBm)	Tune-up limit (dBm)
20	QPSK	1720	132072	1	0	5	QPSK	1731.7	132189	1	24	0	16.47	16.70
20	QPSK	1770	132572	1	0	5	QPSK	1758.3	132455	1	24	0	16.34	16.70

CA_66C														
Combination 75RB + 100RB (15MHz + 20MHz)														
PCC						SCC						MPR (dB)	UL CA power	
Bandwidth [MHz]	Modulation	Frequency [MHz]	Channel	RB size	RB Offset	Bandwidth [MHz]	Modulation	Frequency [MHz]	Channel	RB size	RB Offset		Measured (dBm)	Tune-up limit (dBm)
20	QPSK	1720	132072	1	0	15	QPSK	1737.1	132243	1	74	0	16.42	16.70
20	QPSK	1770	132572	1	0	15	QPSK	1752.9	132401	1	74	0	16.31	16.70

CA_66C														
Combination 75RB + 75RB (15MHz + 15MHz)														
PCC						SCC						MPR (dB)	UL CA power	
Bandwidth [MHz]	Modulation	Frequency [MHz]	Channel	RB size	RB Offset	Bandwidth [MHz]	Modulation	Frequency [MHz]	Channel	RB size	RB Offset		Measured (dBm)	Tune-up limit (dBm)
15	QPSK	1772.5	132597	1	36	15	QPSK	1757.5	132447	1	74	0	16.45	16.70
15	QPSK	1717.5	132047	1	0	15	QPSK	1732.5	132197	1	74	0	16.28	16.70

CA_66C														
Combination 50RB + 100RB (10MHz + 20MHz)														
PCC						SCC						MPR (dB)	UL CA power	
Bandwidth [MHz]	Modulation	Frequency [MHz]	Channel	RB size	RB Offset	Bandwidth [MHz]	Modulation	Frequency [MHz]	Channel	RB size	RB Offset		Measured (dBm)	Tune-up limit (dBm)
20	QPSK	1720	132072	1	0	10	QPSK	1734.4	132216	1	49	0	16.41	16.70
20	QPSK	1770	132572	1	0	10	QPSK	1755.6	132428	1	49	0	16.29	16.70

CA_66C														
Combination 50RB + 75RB (10MHz + 15MHz)														
PCC						SCC						MPR (dB)	UL CA power	
Bandwidth [MHz]	Modulation	Frequency [MHz]	Channel	RB size	RB Offset	Bandwidth [MHz]	Modulation	Frequency [MHz]	Channel	RB size	RB Offset		Measured (dBm)	Tune-up limit (dBm)
15	QPSK	1772.5	132597	1	36	10	QPSK	1760.5	132477	1	49	0	16.28	16.70
15	QPSK	1717.5	132047	1	0	10	QPSK	1729.5	132167	1	49	0	16.23	16.70

CA_38C														
Combination 100RB + 100RB (20MHz + 20MHz)														
PCC						SCC						MPR (dB)	UL CA power	
Bandwidth [MHz]	Modulation	Frequency [MHz]	Channel	RB size	RB Offset	Bandwidth [MHz]	Modulation	Frequency [MHz]	Channel	RB size	RB Offset		Measured (dBm)	Tune-up limit (dBm)
20	QPSK	2580	37850	1	0	20	QPSK	2599.8	38048	1	99	0	16.54	16.70
20	QPSK	2610	38150	1	0	20	QPSK	2590.2	37952	1	99	0	16.51	16.70

CA_38C														
Combination 75RB + 75RB (15MHz + 15MHz)														
PCC						SCC						MPR (dB)	UL CA power	
Bandwidth [MHz]	Modulation	Frequency [MHz]	Channel	RB size	RB Offset	Bandwidth [MHz]	Modulation	Frequency [MHz]	Channel	RB size	RB Offset		Measured (dBm)	Tune-up limit (dBm)
15	QPSK	2612.5	38175	1	36	15	QPSK	2597.5	37975	1	74	0	16.38	16.70
15	QPSK	2577.5	37825	1	74	15	QPSK	2592.5	37975	1	0	0	16.33	16.70

Unless otherwise stated the results shown in this test report refer only to the sample(s) tested and such sample(s) are retained for 90 days only.

除非另有說明，此報告結果僅對測試之樣品負責，同時此樣品僅保留90天。本報告未經本公司書面許可，不可部份複製。

This document is issued by the Company subject to its General Conditions of Service printed overleaf, available on request or accessible at <http://www.sgs.com.tw/Terms-and-Conditions> and for electronic format documents, subject to Terms and Conditions for Electronic Documents at <http://www.sgs.com.tw/Terms-and-Conditions>. Attention is drawn to the limitation of liability, indemnification and jurisdiction issues defined therein. Any holder of this document is advised that information contained hereon reflects the Company's findings at the time of its intervention only and within the limits of Client's instructions, if any. The Company's sole responsibility is to its Client and this document does not exonerate parties to a transaction from exercising all their rights and obligations under the transaction documents. This document cannot be reproduced except in full, without prior written approval of the Company. Any unauthorized alteration, forgery or falsification of the content or appearance of this document is unlawful and offenders may be prosecuted to the fullest extent of the law.

CA 41C														
Combination 100RB + 100RB (20MHz + 20MHz)														
PCC						SCC						MPR (dB)	UL CA power	
Bandwidth [MHz]	Modulation	Frequency [MHz]	Channel	RB size	RB Offset	Bandwidth [MHz]	Modulation	Frequency [MHz]	Channel	RB size	RB Offset		Measured (dBm)	Tune-up limit (dBm)
20	QPSK	2680	41490	1	0	20	QPSK	2660.2	41292	1	99	0	17.15	17.30
20	QPSK	2506	39750	1	0	20	QPSK	2525.8	39948	1	99	0	17.08	17.30

CA 41C														
Combination 75RB + 100RB (15MHz + 20MHz)														
PCC						SCC						MPR (dB)	UL CA power	
Bandwidth [MHz]	Modulation	Frequency [MHz]	Channel	RB size	RB Offset	Bandwidth [MHz]	Modulation	Frequency [MHz]	Channel	RB size	RB Offset		Measured (dBm)	Tune-up limit (dBm)
20	QPSK	2680	41490	1	0	15	QPSK	2662.9	41319	1	74	0	17.12	17.30
20	QPSK	2506	39750	1	0	15	QPSK	2523.1	39921	1	74	0	17.04	17.30

CA 41C														
Combination 75RB + 75RB (15MHz + 15MHz)														
PCC						SCC						MPR (dB)	UL CA power	
Bandwidth [MHz]	Modulation	Frequency [MHz]	Channel	RB size	RB Offset	Bandwidth [MHz]	Modulation	Frequency [MHz]	Channel	RB size	RB Offset		Measured (dBm)	Tune-up limit (dBm)
15	QPSK	2682.5	41515	1	74	15	QPSK	2667.5	41365	1	0	0	17.01	17.30
15	QPSK	2503.5	39725	1	36	15	QPSK	2518.5	39875	1	74	0	16.99	17.30

CA 41C														
Combination 50RB + 100RB (10MHz + 20MHz)														
PCC						SCC						MPR (dB)	UL CA power	
Bandwidth [MHz]	Modulation	Frequency [MHz]	Channel	RB size	RB Offset	Bandwidth [MHz]	Modulation	Frequency [MHz]	Channel	RB size	RB Offset		Measured (dBm)	Tune-up limit (dBm)
20	QPSK	2680	41490	1	0	10	QPSK	2665.6	41346	1	49	0	17.11	17.30
20	QPSK	2506	39750	1	0	10	QPSK	2520.4	39894	1	49	0	17.03	17.30

CA 41C														
Combination 50RB + 75RB (10MHz + 15MHz)														
PCC						SCC						MPR (dB)	UL CA power	
Bandwidth [MHz]	Modulation	Frequency [MHz]	Channel	RB size	RB Offset	Bandwidth [MHz]	Modulation	Frequency [MHz]	Channel	RB size	RB Offset		Measured (dBm)	Tune-up limit (dBm)
15	QPSK	2682.5	41515	1	74	10	QPSK	2670.5	41395	1	0	0	16.95	17.30
15	QPSK	2503.5	39725	1	36	10	QPSK	2515.5	39845	1	49	0	16.91	17.30

CA 41C														
Combination 25RB + 100RB (5MHz + 20MHz)														
PCC						SCC						MPR (dB)	UL CA power	
Bandwidth [MHz]	Modulation	Frequency [MHz]	Channel	RB size	RB Offset	Bandwidth [MHz]	Modulation	Frequency [MHz]	Channel	RB size	RB Offset		Measured (dBm)	Tune-up limit (dBm)
20	QPSK	2680	41490	1	0	5	QPSK	2668.3	41373	1	24	0	17.04	17.30
20	QPSK	2506	39750	1	0	5	QPSK	2517.7	39867	1	24	0	16.92	17.30

CA 48C														
Combination 100RB + 100RB (20MHz + 20MHz)														
PCC						SCC						MPR (dB)	UL CA power	
Bandwidth [MHz]	Modulation	Frequency [MHz]	Channel	RB size	RB Offset	Bandwidth [MHz]	Modulation	Frequency [MHz]	Channel	RB size	RB Offset		Measured (dBm)	Tune-up limit (dBm)
20	QPSK	3560	55340	1	0	20	QPSK	3579.8	55538	1	99	0	17.63	17.70
20	QPSK	3690	56640	1	0	20	QPSK	3670.2	56442	1	99	0	17.45	17.70

CA 48C														
Combination 75RB + 100RB (15MHz + 20MHz)														
PCC						SCC						MPR (dB)	UL CA power	
Bandwidth [MHz]	Modulation	Frequency [MHz]	Channel	RB size	RB Offset	Bandwidth [MHz]	Modulation	Frequency [MHz]	Channel	RB size	RB Offset		Measured (dBm)	Tune-up limit (dBm)
20	QPSK	3560	55340	1	0	15	QPSK	3577.1	55511	1	74	0	17.61	17.70
20	QPSK	3690	56640	1	0	15	QPSK	3672.9	56469	1	74	0	17.42	17.70

CA 48C														
Combination 50RB + 100RB (10MHz + 20MHz)														
PCC						SCC						MPR (dB)	UL CA power	
Bandwidth [MHz]	Modulation	Frequency [MHz]	Channel	RB size	RB Offset	Bandwidth [MHz]	Modulation	Frequency [MHz]	Channel	RB size	RB Offset		Measured (dBm)	Tune-up limit (dBm)
20	QPSK	3560	55340	1	0	10	QPSK	3675.6	56496	1	49	0	17.54	17.70
20	QPSK	3690	56640	1	0	10	QPSK	3574.4	55484	1	49	0	17.37	17.70

CA 48C														
Combination 25RB + 100RB (5MHz + 20MHz)														
PCC						SCC						MPR (dB)	UL CA power	
Bandwidth [MHz]	Modulation	Frequency [MHz]	Channel	RB size	RB Offset	Bandwidth [MHz]	Modulation	Frequency [MHz]	Channel	RB size	RB Offset		Measured (dBm)	Tune-up limit (dBm)
20	QPSK	3560	55340	1	0	5	QPSK	3678.3	56523	1	24	0	17.51	17.70
20	QPSK	3690	56640	1	0	5	QPSK	3571.7	55457	1	24	0	17.33	17.70

Unless otherwise stated the results shown in this test report refer only to the sample(s) tested and such sample(s) are retained for 90 days only.

除非另有說明，此報告結果僅對測試之樣品負責，同時此樣品僅保留90天。本報告未經本公司書面許可，不可部份複製。

This document is issued by the Company subject to its General Conditions of Service printed overleaf, available on request or accessible at <http://www.sgs.com.tw/Terms-and-Conditions> and for electronic format documents, subject to Terms and Conditions for Electronic Documents at <http://www.sgs.com.tw/Terms-and-Conditions>. Attention is drawn to the limitation of liability, indemnification and jurisdiction issues defined therein. Any holder of this document is advised that information contained hereon reflects the Company's findings at the time of its intervention only and within the limits of Client's instructions, if any. The Company's sole responsibility is to its Client and this document does not exonerate parties to a transaction from exercising all their rights and obligations under the transaction documents. This document cannot be reproduced except in full, without prior written approval of the Company. Any unauthorized alteration, forgery or falsification of the content or appearance of this document is unlawful and offenders may be prosecuted to the fullest extent of the law.

1.3.2 LTE Downlink CA specification

LTE Downlink 2CA conducted power table

Notebook mode

Two Component Carrier Maximum Conducted Power															
PCC							SCC				Output power (dBm)		Configurations		
UL				DL			DL				DL CA active	DL CA inactive			
LTE Band	Bandwidth [MHz]	Modulation	RB	RB Offset	Channel	Frequency [MHz]	Channel	Frequency [MHz]	LTE Band	Bandwidth [MHz]				Channel	Frequency [MHz]
12	10	QPSK	1	0	23060	704	5060	734	25	20	8365	1962.5	23.30	23.37	12A-25A
38	20	QPSK	1	0	37850	2580	37850	2580	38	20	38048	2599.8	22.11	22.14	38C
41	20	QPSK	1	0	41055	2636.5	41055	2636.5	48	20	55990	3625	22.15	22.23	41A-48A
4	20	QPSK	1	0	20175	1732.5	2175	2132.5	48	20	55990	3625	18.08	18.18	4A-48A
5	10	QPSK	1	0	20525	836.5	2525	881.5	25	20	8365	1962.5	24.11	24.17	5A-25A
5	10	QPSK	1	0	20525	836.5	2525	881.5	38	20	38000	2595	24.10	24.17	5A-38A
5	10	QPSK	1	0	20525	836.5	2525	881.5	41	20	40620	2593	24.11	24.17	5A-41A
7	20	QPSK	1	0	20850	2510	2850	2630	42	20	42590	3500	18.50	18.56	7A-42A
7	15	QPSK	1	0	20825	2507.5	2825	2627.5	7	5	2918	2636.8	18.31	18.46	7B
4	20	QPSK	1	0	20175	1732.5	2175	2132.5	17	10	5790	740	18.01	18.18	4A-17A
2	20	QPSK	1	0	18900	1880	900	1960	17	10	5790	740	18.40	18.46	2A-17A

Tablet mode

Two Component Carrier Maximum Conducted Power															
PCC							SCC				Output power (dBm)		Configurations		
UL				DL			DL				DL CA active	DL CA inactive			
LTE Band	Bandwidth [MHz]	Modulation	RB	RB Offset	Channel	Frequency [MHz]	Channel	Frequency [MHz]	LTE Band	Bandwidth [MHz]				Channel	Frequency [MHz]
12	10	QPSK	1	0	23095	707.5	5095	737.5	25	20	8365	1962.5	20.15	20.18	12A-25A
38	20	QPSK	1	0	37850	2580	37850	2580	38	20	38048	2599.8	16.47	16.58	38C
41	20	QPSK	1	0	40620	2593	40620	2593	48	20	55990	3625	17.17	17.21	41A-48A
4	20	QPSK	1	0	20300	1745	2300	2145	48	20	55990	3625	16.71	16.77	4A-48A
5	10	QPSK	1	0	20450	829	2450	874	25	20	8365	1962.5	21.46	21.65	5A-25A
5	10	QPSK	1	0	20450	829	2450	874	38	20	38000	2595	21.55	21.65	5A-38A
5	10	QPSK	1	0	20450	829	2450	874	41	20	40620	2593	21.54	21.65	5A-41A
7	20	QPSK	1	0	21100	2535	3100	2655	42	20	42590	3500	14.27	14.48	7A-42A
7	15	QPSK	1	0	20825	2507.5	2825	2627.5	7	5	2918	2636.8	14.25	14.28	7B
4	20	QPSK	1	0	20175	1732.5	2175	2132.5	17	10	5790	740	18.01	18.18	4A-17A
2	20	QPSK	1	0	18900	1880	900	1960	17	10	5790	740	16.25	16.28	2A-17A

Unless otherwise stated the results shown in this test report refer only to the sample(s) tested and such sample(s) are retained for 90 days only.

除非另有說明，此報告結果僅對測試之樣品負責，同時此樣品僅保留90天。本報告未經本公司書面許可，不可部份複製。

This document is issued by the Company subject to its General Conditions of Service printed overleaf, available on request or accessible at <http://www.sgs.com.tw/Terms-and-Conditions> and for electronic format documents, subject to Terms and Conditions for Electronic Documents at <http://www.sgs.com.tw/Terms-and-Conditions>. Attention is drawn to the limitation of liability, indemnification and jurisdiction issues defined therein. Any holder of this document is advised that information contained hereon reflects the Company's findings at the time of its intervention only and within the limits of Client's instructions, if any. The Company's sole responsibility is to its Client and this document does not exonerate parties to a transaction from exercising all their rights and obligations under the transaction documents. This document cannot be reproduced except in full, without prior written approval of the Company. Any unauthorized alteration, forgery or falsification of the content or appearance of this document is unlawful and offenders may be prosecuted to the fullest extent of the law.

LTE Downlink 3CA conducted power table

Notebook mode

Three Component Carrier Maximum Conducted Power																							
PCC						DL				SCC 1				SCC 2				Output power (dBm)		Configurations			
UL		DL				UL		DL		UL		DL		UL		DL		DL CA active	DL CA inactive				
LTE Band	Bandwidth [MHz]	Modulation	RB	RB Offset	Channel	Frequency [MHz]	Channel	Frequency [MHz]	LTE Band	Bandwidth [MHz]	Channel	Frequency [MHz]	LTE Band	Bandwidth [MHz]	Channel	Frequency [MHz]	LTE Band	Bandwidth [MHz]	Channel	Frequency [MHz]			
25	20	QPSK	1	0	26590	1905	8590	1985	25	20	8140	1940	25	20	8590	1985	25	20	8590	1985	18.58	18.77	25A-25A-25A
25	20	QPSK	1	0	26140	1860	8140	1940	25	20	8590	1985	26	15	8865	876.5	18.53	18.74	25A-25A-26A				
25	20	QPSK	1	0	26140	1860	8140	1940	25	20	8590	1985	41	20	40620	2993	18.57	18.74	25A-25A-41A				
25	20	QPSK	1	0	26590	1905	8590	1985	28	15	8865	876.5	41	20	40620	2993	18.62	18.77	25A-26A-41A				
2	20	QPSK	1	0	19100	1900	1100	1980	4	20	2175	2132.5	13	10	751	5230	18.38	18.46	2A-4A-13A				
2	20	QPSK	1	0	19100	1900	1100	1980	5	10	2525	881.5	7	20	3100	2655	18.44	18.46	2A-5A-7A				
4	20	QPSK	1	0	20175	1732.5	2175	2132.5	48	20	65340	3560	48	20	55538	3673.8	18.06	18.18	4A-48C				
4	20	QPSK	1	0	20050	1720	2050	2120	4	20	2300	2145	13	10	5230	751	17.96	18.12	4A-4A-13A				
4	20	QPSK	1	0	20050	1720	2050	2120	4	20	2300	2145	7	20	3100	2655	18.06	18.12	4A-4A-7A				
5	10	QPSK	1	0	20525	836.5	2525	881.5	7	20	2850	2830	7	20	3350	2680	24.01	24.17	5A-7A-7A				
5	10	QPSK	1	0	20525	836.5	2525	881.5	7	20	2850	2830	7	20	3048	2649.8	24.15	24.17	5A-7C				

Tablet mode

Three Component Carrier Maximum Conducted Power																				
PCC						DL				SCC 1				SCC 2				Output power (dBm)		Configurations
UL		DL				UL		DL		UL		DL		UL		DL		DL CA active	DL CA inactive	
LTE Band	Bandwidth [MHz]	Modulation	RB	RB Offset	Channel	Frequency [MHz]	Channel	Frequency [MHz]	LTE Band	Bandwidth [MHz]	Channel	Frequency [MHz]	LTE Band	Bandwidth [MHz]	Channel	Frequency [MHz]	LTE Band	Bandwidth [MHz]	Channel	Frequency [MHz]
25	20	QPSK	1	0	26140	1860	8140	1940	25	20	8140	1940	25	20	8590	1985	15.92	15.95	25A-25A-25A	
25	20	QPSK	1	0	26140	1860	8140	1940	25	20	8590	1985	26	15	8865	876.5	15.83	15.95	25A-25A-26A	
25	20	QPSK	1	0	26140	1860	8140	1940	25	20	8590	1985	41	20	40620	2993	15.81	15.85	25A-25A-41A	
25	20	QPSK	1	0	26140	1860	8140	1940	28	15	8865	876.5	41	20	40620	2993	15.86	15.95	25A-26A-41A	
2	20	QPSK	1	0	18900	1880	900	1960	4	20	2175	2132.5	13	10	751	5230	16.07	16.28	2A-4A-13A	
2	20	QPSK	1	0	18900	1880	900	1960	5	10	2525	881.5	7	20	3100	2655	16.12	16.28	2A-5A-7A	
4	20	QPSK	1	0	20300	1745	2300	2145	48	20	65340	3560	48	20	55538	3673.8	16.73	16.77	4A-48C	
4	20	QPSK	1	99	20050	1720	2050	2120	4	20	2300	2145	13	10	5230	751	16.66	16.76	4A-4A-13A	
4	20	QPSK	1	99	20050	1720	2050	2120	4	20	2300	2145	7	20	3100	2655	16.74	16.76	4A-4A-7A	
5	10	QPSK	1	0	20450	829	2450	874	7	20	2850	2830	7	20	3350	2680	21.44	21.65	5A-7A-7A	
5	10	QPSK	1	0	20450	829	2450	874	7	20	2850	2830	7	20	3048	2649.8	21.49	21.65	5A-7C	

Unless otherwise stated the results shown in this test report refer only to the sample(s) tested and such sample(s) are retained for 90 days only.

除非另有說明，此報告結果僅對測試之樣品負責，同時此樣品僅保留90天。本報告未經本公司書面許可，不可部份複製。

This document is issued by the Company subject to its General Conditions of Service printed overleaf, available on request or accessible at <http://www.sgs.com.tw/Terms-and-Conditions> and for electronic format documents, subject to Terms and Conditions for Electronic Documents at <http://www.sgs.com.tw/Terms-and-Conditions>. Attention is drawn to the limitation of liability, indemnification and jurisdiction issues defined therein. Any holder of this document is advised that information contained hereon reflects the Company's findings at the time of its intervention only and within the limits of Client's instructions, if any. The Company's sole responsibility is to its Client and this document does not exonerate parties to a transaction from exercising all their rights and obligations under the transaction documents. This document cannot be reproduced except in full, without prior written approval of the Company. Any unauthorized alteration, forgery or falsification of the content or appearance of this document is unlawful and offenders may be prosecuted to the fullest extent of the law.

LTE Downlink 4CA conducted power table Notebook mode

Four Component Carrier Maximum Conducted Power																												
PCC						SCC 1			SCC 2			SCC 3			Output power (dBm)		Configurations											
LTE Band	Bandwidth [MHz]	Modulation	RB	RB Offset	Channel	Frequency [MHz]	Channel	Frequency [MHz]	LTE Band	Bandwidth [MHz]	Modulation	RB	RB Offset	Channel	Frequency [MHz]	LTE Band		Bandwidth [MHz]	Modulation	RB	RB Offset	Channel	Frequency [MHz]	DL CA offset	DL CA MaxPower			
13	10	QPSK	1	0	23230	782	5230	751	48	20	5990	3625	66	20	67206	2170	66	67206	2170	66	67206	2170	23.63	23.67	13A-48A-66B			
13	10	QPSK	1	0	23230	782	5230	751	48	20	5990	3625	66	20	67206	2170	66	67206	2170	66	67206	2170	23.29	23.57	13A-48A-66C			
13	10	QPSK	1	0	23230	782	5230	751	66	20	66786	2146	66	20	66536	2120	66	66536	2120	66	66536	2120	23.52	23.57	13A-66A-66A-66A			
25	20	QPSK	1	0	26140	1880	8140	1940	25	20	8930	1985	41	20	39750	2506	41	20	39848	2526	41	20	39848	2526	18.54	18.74	25A-25A-41C	
25	20	QPSK	1	0	26590	1905	8590	1985	26	15	8885	1935	41	20	39750	2506	41	20	39848	2526	41	20	39848	2526	18.59	18.77	25A-25A-41C	
2	20	QPSK	1	0	19100	1880	900	1980	12	10	5095	737.5	66	20	67206	2170	66	67206	2170	66	67206	2170	18.29	18.46	2A-12A-66C			
2	20	QPSK	1	0	18700	1860	700	1940	2	20	1100	1980	12	5	5035	731.5	12	5	5035	731.5	12	5	5035	731.5	18.36	18.42	2A-2A-12A-12A	
2	20	QPSK	1	0	18700	1860	700	1940	2	20	1100	1980	4	20	2175	2132.5	12	10	5095	737.5	12	10	5095	737.5	18.34	18.42	2A-2A-4A-12A	
2	20	QPSK	1	0	18700	1860	700	1940	2	20	1100	1980	4	20	2175	2132.5	4	20	2320	2146	4	20	2320	2146	18.30	18.42	2A-2A-4A-4A	
2	20	QPSK	1	0	18700	1860	700	1940	2	20	1100	1980	4	20	2175	2132.5	5	10	5095	737.5	5	10	5095	737.5	18.40	18.42	2A-2A-4A-5A	
2	20	QPSK	1	0	18700	1860	700	1940	2	20	1100	1980	66	20	66536	2120	66	20	66536	2120	66	20	66536	2120	18.27	18.42	2A-2A-66A-66A	
2	20	QPSK	1	0	19100	1900	1100	1980	4	20	2175	2132.5	12	12	5	5035	731.5	12	5	5035	731.5	12	5	5035	731.5	18.44	18.46	2A-4A-12A-12A
2	20	QPSK	1	0	19100	1900	1100	1980	4	20	2175	2132.5	12	10	5095	737.5	30	10	5095	737.5	30	10	5095	737.5	18.43	18.46	2A-4A-12A-20A	
2	20	QPSK	1	0	19100	1900	1100	1980	4	20	2175	2132.5	12	5	5035	731.5	12	5	5035	731.5	12	5	5035	731.5	18.35	18.46	2A-4A-12A-20A	
2	20	QPSK	1	0	19100	1900	1100	1980	4	20	2050	2120	4	20	2300	2145	12	10	2300	2145	12	10	2300	2145	18.30	18.46	2A-4A-4A-12A	
2	20	QPSK	1	0	19100	1900	1100	1980	4	20	2050	2120	4	20	2300	2145	5	10	2300	2145	5	10	2300	2145	18.29	18.46	2A-4A-4A-5A	
2	20	QPSK	1	0	19100	1900	1100	1980	4	20	2175	2132.5	5	10	2300	2145	30	10	5095	737.5	30	10	5095	737.5	18.40	18.46	2A-4A-5A-30A	
2	20	QPSK	1	0	19100	1900	1100	1980	4	20	2175	2132.5	7	20	2850	2630	7	20	3350	2680	7	20	3350	2680	18.44	18.46	2A-4A-7A-7A	
2	20	QPSK	1	0	19100	1900	1100	1980	4	20	2175	2132.5	7	20	2850	2630	7	20	3048	2649.8	7	20	3048	2649.8	18.34	18.46	2A-4A-7C	
2	20	QPSK	1	0	18700	1860	700	1940	2	20	898	1959.8	12	10	5095	737.5	30	10	5095	737.5	30	10	5095	737.5	18.32	18.42	2C-12A-30A	
2	20	QPSK	1	0	18700	1860	700	1940	2	20	898	1959.8	5	10	5095	737.5	30	10	5095	737.5	30	10	5095	737.5	18.33	18.42	2C-5A-30A	
2	20	QPSK	1	0	18700	1860	700	1940	2	20	898	1959.8	66	20	66536	2120	66	20	66536	2120	66	20	66536	2120	18.33	18.42	2C-66A-66A	
41	20	QPSK	1	0	39750	2506	39750	2506	41	20	41490	2860	41	20	39750	2506	41	20	39848	2526	41	20	39848	2526	22.08	22.21	41A-41A-41C	
41	20	QPSK	1	0	39750	2506	39750	2506	41	20	39750	2506	41	20	39848	2526	41	20	39848	2526	41	20	39848	2526	22.15	22.21	41A-41D	
41	20	QPSK	1	0	41050	2635.5	41050	2635.5	42	20	43040	3550	42	20	43040	3550	42	20	43040	3550	42	20	43040	3550	22.18	22.21	41A-42A	
41	20	QPSK	1	0	39750	2506	39750	2506	42	20	43490	3590	42	20	43040	3550	42	20	43040	3550	42	20	43040	3550	22.10	22.21	41A-42D	
41	20	QPSK	1	0	39750	2506	39750	2506	41	20	41490	2860	41	20	41490	2860	41	20	41490	2860	41	20	41490	2860	22.08	22.21	41C-41C	
41	20	QPSK	1	0	39750	2506	39750	2506	41	20	39848	2526	41	20	40146	2545.8	42	20	43490	3590	42	20	43490	3590	22.06	22.21	41D-42A	
42	20	QPSK	1	0	43490	3590	43490	3590	42	20	41760	3410	42	20	43040	3550	42	20	43040	3550	42	20	43040	3550	23.50	23.69	42A-42D	
42	20	QPSK	1	0	43490	3590	43490	3590	42	20	43040	3550	42	20	43040	3550	42	20	43040	3550	42	20	43040	3550	23.58	23.69	42A-42D	
48	20	QPSK	1	0	55340	3560	55340	3560	48	20	58640	3680	66	20	66536	2120	66	20	66536	2120	66	20	66536	2120	21.41	21.53	48A-48A-66A-66A	
48	20	QPSK	1	0	55340	3560	55340	3560	48	20	58640	3680	66	10	67206	2170	66	10	67206	2170	66	10	67206	2170	21.34	21.53	48A-48A-66B	
48	20	QPSK	1	0	55340	3560	55340	3560	48	20	58640	3680	66	20	66536	2120	66	20	66536	2120	66	20	66536	2120	21.40	21.53	48A-48A-66C	
48	20	QPSK	1	0	55340	3560	55340	3560	48	20	58640	3680	66	20	66536	2120	66	20	66536	2120	66	20	66536	2120	21.39	21.58	48A-66A-66A-66A	
48	20	QPSK	1	0	55340	3560	55340	3560	48	20	55338	3679.8	66	20	66536	2120	66	20	66536	2120	66	20	66536	2120	21.34	21.53	48C-66A-66A	
4	20	QPSK	1	0	20330	1745	2300	2145	48	20	55340	3560	48	20	55338	3679.8	48	20	55338	3679.8	48	20	55338	3679.8	18.12	18.18	4A-48D	
4	20	QPSK	1	0	20090	1720	2090	2130	4	20	2300	2145	12	5	5035	731.5	12	5	5035	731.5	12	5	5035	731.5	17.98	18.12	4A-4A-12A-12A	
4	20	QPSK	1	0	20090	1720	2090	2130	4	20	2300	2145	12	10	5095	737.5	12	10	5095	737.5	12	10	5095	737.5	18.07	18.12	4A-4A-12A-12A	
4	20	QPSK	1	0	20090	1720	2090	2130	4	20	2300	2145	12	5	5035	731.5	12	5	5035	731.5	12	5	5035	731.5	17.93	18.12	4A-4A-12B	
4	20	QPSK	1	0	20090	1720	2090	2130	4	20	2300	2145	5	10	2325	2146	5	10	2325	2146	5	10	2325	2146	18.05	18.12	4A-4A-5A-30A	
5	10	QPSK	1	0	20450	829	2450	874	5	10	2600	889	66	20	66536	2120	66	20	66536	2120	66	20	66536	2120	24.03	24.14	5A-5A-66A-66A	
5	10	QPSK	1	0	20450	829	2450	874	5	10	2600	889	66	10	67206	2170	66	10	67206	2170	66	10	67206	2170	24.07	24.14	5A-5A-66B	
5	10	QPSK	1	0	20450	829	2450	874	5	10	2600	889	66	20	66536	2120	66	20	66536	2120	66	20	66536	2120	24.11	24.14	5A-5A-66C	
5	10	QPSK	1	0	20450	829	2450	874	5	10	2600	889	66	10	67206	2170	66	10	67206	2170	66	10	67206					



Tablet mode

Table with columns: UL, PCC, DL, SCS 1, SCS 2, SCS 3, SCS 4, and Configurations. It lists various LTE Band, Modulation, RB, and Channel parameters for different carrier configurations.

Unless otherwise stated the results shown in this test report refer only to the sample(s) tested and such sample(s) are retained for 90 days only.

除非另有說明，此報告結果僅對測試之樣品負責，同時此樣品僅保留90天。本報告未經本公司書面許可，不可部份複製。

This document is issued by the Company subject to its General Conditions of Service printed overleaf, available on request or accessible at http://www.sgs.com.tw/Terms-and-Conditions and for electronic format documents, subject to Terms and Conditions for Electronic Documents at http://www.sgs.com.tw/Terms-and-Conditions. Attention is drawn to the limitation of liability, indemnification and jurisdiction issues defined therein. Any holder of this document is advised that information contained hereon reflects the Company's findings at the time of its intervention only and within the limits of Client's instructions, if any. The Company's sole responsibility is to its Client and this document does not exonerate parties to a transaction from exercising all their rights and obligations under the transaction documents. This document cannot be reproduced except in full, without prior written approval of the Company. Any unauthorized alteration, forgery or falsification of the content or appearance of this document is unlawful and offenders may be prosecuted to the fullest extent of the law.

LTE Downlink 6CA conducted power table

Notebook mode

Six Component Carrier Maximum Conducted Power																															
PCC					SCC 1			SCC 2			SCC 3			SCC 4			SCC 5			Output power (dBm)		Configurations									
LTE Band	Bandwidth (MHz)	Modulation	RB	RB Offset	Channel	Frequency (MHz)	Channel	Frequency (MHz)	LTE Band	Bandwidth (MHz)	Channel	Frequency (MHz)	LTE Band	Bandwidth (MHz)	Channel	Frequency (MHz)	LTE Band	Bandwidth (MHz)	Channel	Frequency (MHz)	LTE Band		Bandwidth (MHz)	Channel	Frequency (MHz)	DL CA active	DL CA inactive				
2	20	QPSK	1	0	18750	18750	18750	18750	48	20	33340	33340	48	20	33340	33340	48	20	33340	33340	48	20	33340	33340	48	20	33340	33340	23.54	23.57	134-482-48A
41	20	QPSK	1	0	33750	33750	33750	33750	48	20	33340	33340	48	20	33340	33340	48	20	33340	33340	48	20	33340	33340	48	20	33340	33340	23.54	23.57	134-482-48A
13	10	QPSK	1	0	23250	750	23250	750	48	20	33340	33340	48	20	33340	33340	48	20	33340	33340	48	20	33340	33340	48	20	33340	33340	23.54	23.57	134-482-48A

Tablet mode

Six Component Carrier Maximum Conducted Power																															
PCC					SCC 1			SCC 2			SCC 3			SCC 4			SCC 5			Output power (dBm)		Configurations									
LTE Band	Bandwidth (MHz)	Modulation	RB	RB Offset	Channel	Frequency (MHz)	Channel	Frequency (MHz)	LTE Band	Bandwidth (MHz)	Channel	Frequency (MHz)	LTE Band	Bandwidth (MHz)	Channel	Frequency (MHz)	LTE Band	Bandwidth (MHz)	Channel	Frequency (MHz)	LTE Band		Bandwidth (MHz)	Channel	Frequency (MHz)	DL CA active	DL CA inactive				
2	20	QPSK	1	0	18750	18750	18750	18750	48	20	33340	33340	48	20	33340	33340	48	20	33340	33340	48	20	33340	33340	48	20	33340	33340	23.54	23.57	134-482-48A
41	20	QPSK	1	0	33750	33750	33750	33750	48	20	33340	33340	48	20	33340	33340	48	20	33340	33340	48	20	33340	33340	48	20	33340	33340	23.54	23.57	134-482-48A
13	10	QPSK	1	0	23250	750	23250	750	48	20	33340	33340	48	20	33340	33340	48	20	33340	33340	48	20	33340	33340	48	20	33340	33340	23.54	23.57	134-482-48A

Unless otherwise stated the results shown in this test report refer only to the sample(s) tested and such sample(s) are retained for 90 days only.

除非另有說明，此報告結果僅對測試之樣品負責，同時此樣品僅保留90天。本報告未經本公司書面許可，不可部份複製。

This document is issued by the Company subject to its General Conditions of Service printed overleaf, available on request or accessible at <http://www.sgs.com.tw/Terms-and-Conditions> and for electronic format documents, subject to Terms and Conditions for Electronic Documents at <http://www.sgs.com.tw/Terms-and-Conditions>. Attention is drawn to the limitation of liability, indemnification and jurisdiction issues defined therein. Any holder of this document is advised that information contained hereon reflects the Company's findings at the time of its intervention only and within the limits of Client's instructions, if any. The Company's sole responsibility is to its Client and this document does not exonerate parties to a transaction from exercising all their rights and obligations under the transaction documents. This document cannot be reproduced except in full, without prior written approval of the Company. Any unauthorized alteration, forgery or falsification of the content or appearance of this document is unlawful and offenders may be prosecuted to the fullest extent of the law.

LTE CA information

A)

The device supports downlink LTE Carrier Aggregation (CA) only. It supports a maximum of 6 carriers in the downlink. Other Release 10 features or higher features are not supported, including Enhanced SC-FDMA, Uplink MIMO or other antenna diversity configurations etc. All uplink communications are identical to the Release 8 Specifications.

The possible downlink LTE CA combinations supported by this device are as below tables per 3GPP TS 36.521-1 V16.6.0. The conducted power measurement results of downlink LTE CA are provided as above per 3GPP TS 36.521-1 V16.6.0. According to KDB 941225 D05A and RF exposure procedures in TCB workshop April 2018, the downlink LTE CA SAR test is not required.

Unless otherwise stated the results shown in this test report refer only to the sample(s) tested and such sample(s) are retained for 90 days only.
除非另有說明，此報告結果僅對測試之樣品負責，同時此樣品僅保留90天。本報告未經本公司書面許可，不可部份複製。

This document is issued by the Company subject to its General Conditions of Service printed overleaf, available on request or accessible at <http://www.sgs.com.tw/Terms-and-Conditions> and for electronic format documents, subject to Terms and Conditions for Electronic Documents at <http://www.sgs.com.tw/Terms-and-Conditions>. Attention is drawn to the limitation of liability, indemnification and jurisdiction issues defined therein. Any holder of this document is advised that information contained hereon reflects the Company's findings at the time of its intervention only and within the limits of Client's instructions, if any. The Company's sole responsibility is to its Client and this document does not exonerate parties to a transaction from exercising all their rights and obligations under the transaction documents. This document cannot be reproduced except in full, without prior written approval of the Company. Any unauthorized alteration, forgery or falsification of the content or appearance of this document is unlawful and offenders may be prosecuted to the fullest extent of the law.



B)

CA combination table

Table with 16 columns: Index, SCC, Reason, Completely Covered by, Index, SCC, Reason, Completely Covered by, Index, SCC, Reason, Completely Covered by, Index, SCC, Reason, Completely Covered by. It lists various combinations of SCCs and their corresponding reasons.

Unless otherwise stated the results shown in this test report refer only to the sample(s) tested and such sample(s) are retained for 90 days only.

除非另有說明，此報告結果僅對測試之樣品負責，同時此樣品僅保留90天。本報告未經本公司書面許可，不可部份複製。

This document is issued by the Company subject to its General Conditions of Service printed overleaf, available on request or accessible at http://www.sgs.com.tw/Terms-and-Conditions and for electronic format documents, subject to Terms and Conditions for Electronic Documents at http://www.sgs.com.tw/Terms-and-Conditions. Attention is drawn to the limitation of liability, indemnification and jurisdiction issues defined therein. Any holder of this document is advised that information contained hereon reflects the Company's findings at the time of its intervention only and within the limits of Client's instructions, if any. The Company's sole responsibility is to its Client and this document does not exonerate parties to a transaction from exercising all their rights and obligations under the transaction documents. This document cannot be reproduced except in full, without prior written approval of the Company. Any unauthorized alteration, forgery or falsification of the content or appearance of this document is unlawful and offenders may be prosecuted to the fullest extent of the law.

Note:

- 1) The channel spacing and aggregated channel bandwidth for CA are identical to the associated specification in 3GPP TS 36.521-1 V16.6.0.
- 2) The reference test frequencies for CA refers to 3GPP TS 36.508 V16.6.0
- 3) Testing is not required in bands or modes not intended/allowed for US operation
- 4) Based on TCB workshop April 2018, only indicate “No” in CA combination table need power measurement

Unless otherwise stated the results shown in this test report refer only to the sample(s) tested and such sample(s) are retained for 90 days only.

除非另有說明，此報告結果僅對測試之樣品負責，同時此樣品僅保留90天。本報告未經本公司書面許可，不可部份複製。

This document is issued by the Company subject to its General Conditions of Service printed overleaf, available on request or accessible at <http://www.sgs.com.tw/Terms-and-Conditions> and for electronic format documents, subject to Terms and Conditions for Electronic Documents at <http://www.sgs.com.tw/Terms-and-Conditions>. Attention is drawn to the limitation of liability, indemnification and jurisdiction issues defined therein. Any holder of this document is advised that information contained hereon reflects the Company's findings at the time of its intervention only and within the limits of Client's instructions, if any. The Company's sole responsibility is to its Client and this document does not exonerate parties to a transaction from exercising all their rights and obligations under the transaction documents. This document cannot be reproduced except in full, without prior written approval of the Company. Any unauthorized alteration, forgery or falsification of the content or appearance of this document is unlawful and offenders may be prosecuted to the fullest extent of the law.

1.3.3 SAR test exclusion for LTE DL MIMO

SAR test exclusion for LTE DL MIMO was determined by UL power measurements with and without DL MIMO. SAR for DL MIMO was not needed since the maximum output power with DL MIMO active was not > 0.25dB higher than the maximum output power with DL MIMO inactive.

Notebook mode

DL MIMO maximum power verification								
PCC							Output power (dBm)	
UL							DL MIMO active	DL MIMO inactive
Band	Bandwidth [MHz]	Modulation	RB	RB Offset	Frequency [MHz]	Channel		
LTE B2	20	QPSK	1	0	1900	19100	18.33	18.46
LTE B4	20	QPSK	1	0	1732.5	20175	18.06	18.18
LTE B5	10	QPSK	1	0	836.5	20525	24.00	24.17
LTE B7	20	QPSK	1	0	2510	20850	18.43	18.56
LTE B12	10	QPSK	1	0	704	23060	23.22	23.37
LTE B13	10	QPSK	1	0	782	23230	23.47	23.57
LTE B14	10	QPSK	1	0	793	23330	23.72	23.92
LTE B17	10	QPSK	1	0	710	23790	23.33	23.47
LTE B25	20	QPSK	1	0	1905	26590	18.73	18.77
LTE B26	15	QPSK	1	0	821.5	26765	21.72	21.90
LTE B30	10	QPSK	1	0	2310	27710	20.10	20.14
LTE B38	20	QPSK	1	0	2580	37850	22.05	22.14
LTE B41	20	QPSK	1	0	2636.5	41055	22.18	22.23
LTE B66	20	QPSK	1	0	1770	132572	19.06	19.27
LTE B42	20	QPSK	1	0	3575	43340	23.66	23.79
LTE B48	20	QPSK	1	0	3603.3	55773	21.38	21.58

Unless otherwise stated the results shown in this test report refer only to the sample(s) tested and such sample(s) are retained for 90 days only.

除非另有說明，此報告結果僅對測試之樣品負責，同時此樣品僅保留90天。本報告未經本公司書面許可，不可部份複製。

This document is issued by the Company subject to its General Conditions of Service printed overleaf, available on request or accessible at <http://www.sgs.com.tw/Terms-and-Conditions> and for electronic format documents, subject to Terms and Conditions for Electronic Documents at <http://www.sgs.com.tw/Terms-and-Conditions>. Attention is drawn to the limitation of liability, indemnification and jurisdiction issues defined therein. Any holder of this document is advised that information contained hereon reflects the Company's findings at the time of its intervention only and within the limits of Client's instructions, if any. The Company's sole responsibility is to its Client and this document does not exonerate parties to a transaction from exercising all their rights and obligations under the transaction documents. This document cannot be reproduced except in full, without prior written approval of the Company. Any unauthorized alteration, forgery or falsification of the content or appearance of this document is unlawful and offenders may be prosecuted to the fullest extent of the law.

Tablet mode

DL MIMO maximum power verification								
PCC							Output power (dBm)	
UL							DL MIMO active	DL MIMO inactive
Band	Bandwidth [MHz]	Modulation	RB	RB Offset	Frequency [MHz]	Channel		
LTE B2	20	QPSK	1	0	1880	18900	16.23	16.28
LTE B4	20	QPSK	1	0	1745	20300	16.71	16.77
LTE B5	10	QPSK	1	0	829	20450	21.46	21.65
LTE B7	20	QPSK	1	0	2535	21100	14.42	14.48
LTE B12	10	QPSK	1	0	707.5	23095	20.08	20.18
LTE B13	10	QPSK	1	0	782	23230	21.24	21.36
LTE B14	10	QPSK	1	0	793	23330	21.62	21.68
LTE B17	10	QPSK	1	0	710	23790	20.76	20.90
LTE B25	20	QPSK	1	0	1860	26140	15.91	15.95
LTE B26	15	QPSK	1	0	821.5	26765	21.72	21.90
LTE B30	10	QPSK	1	0	2310	27710	16.16	16.28
LTE B38	20	QPSK	1	0	2595	38000	16.45	16.60
LTE B41	20	QPSK	1	0	2593	40620	17.02	17.21
LTE B66	20	QPSK	1	0	1720	132072	16.49	16.54
LTE B42	20	QPSK	1	0	3590	43490	17.37	17.41
LTE B48	20	QPSK	1	0	3560	55340	17.57	17.66

Unless otherwise stated the results shown in this test report refer only to the sample(s) tested and such sample(s) are retained for 90 days only.

除非另有說明，此報告結果僅對測試之樣品負責，同時此樣品僅保留90天。本報告未經本公司書面許可，不可部份複製。

This document is issued by the Company subject to its General Conditions of Service printed overleaf, available on request or accessible at <http://www.sgs.com.tw/Terms-and-Conditions> and for electronic format documents, subject to Terms and Conditions for Electronic Documents at <http://www.sgs.com.tw/Terms-and-Conditions>. Attention is drawn to the limitation of liability, indemnification and jurisdiction issues defined therein. Any holder of this document is advised that information contained hereon reflects the Company's findings at the time of its intervention only and within the limits of Client's instructions, if any. The Company's sole responsibility is to its Client and this document does not exonerate parties to a transaction from exercising all their rights and obligations under the transaction documents. This document cannot be reproduced except in full, without prior written approval of the Company. Any unauthorized alteration, forgery or falsification of the content or appearance of this document is unlawful and offenders may be prosecuted to the fullest extent of the law.

SGS Taiwan Ltd. No.134,Wu Kung Road, New Taipei Industrial Park, Wuku District, New Taipei City, Taiwan/新北市五股區新北產業園區五工路 134 號

1.4 Test Environment

Ambient Temperature: 22±2° C
Tissue Simulating Liquid: 22±2° C

1.5 Operation Description

For WWAN, the EUT is controlled by using a Radio Communication Tester, and the communication between the EUT and the tester is established by air link. The device was tested based on FCC guidance (KDB inquiry).

Notebook mode

SAR is measured with display screen open at 90 degree and bottom side of keyboard touch against the flat phantom.

Tablet mode

SAR is measured with backside/edges of tablet mode touch against the flat phantom.

Note:

1. During the SAR testing, the DASY 5 system checks power drift by comparing the e-field strength of one specific location measured at the beginning with that measured at the end of the SAR testing.
2. **UMTS:** The 3G SAR test reduction procedure is applied to HSDPA with 12.2 kbps RMC as the primary mode. Since the maximum output power in a secondary mode (HSDPA) is $\leq \frac{1}{4}$ dB higher than the primary mode (WCDMA), SAR measurement is not required for the secondary mode (HSDPA). The following 4 sub-tests were completed according to Release 5 procedures in section 5.2 of 3GPP TS 34.121. A summary of these setting are illustrated below:

Unless otherwise stated the results shown in this test report refer only to the sample(s) tested and such sample(s) are retained for 90 days only.
除非另有說明，此報告結果僅對測試之樣品負責，同時此樣品僅保留90天。本報告未經本公司書面許可，不可部份複製。

This document is issued by the Company subject to its General Conditions of Service printed overleaf, available on request or accessible at <http://www.sgs.com.tw/Terms-and-Conditions> and for electronic format documents, subject to Terms and Conditions for Electronic Documents at <http://www.sgs.com.tw/Terms-and-Conditions>. Attention is drawn to the limitation of liability, indemnification and jurisdiction issues defined therein. Any holder of this document is advised that information contained hereon reflects the Company's findings at the time of its intervention only and within the limits of Client's instructions, if any. The Company's sole responsibility is to its Client and this document does not exonerate parties to a transaction from exercising all their rights and obligations under the transaction documents. This document cannot be reproduced except in full, without prior written approval of the Company. Any unauthorized alteration, forgery or falsification of the content or appearance of this document is unlawful and offenders may be prosecuted to the fullest extent of the law.

Sub-test	β_c	β_a	β_a (SF)	β_c/β_a	$\beta_{hs}^{(2)}$	CM (dB) ⁽²⁾
1	2/15	15/15	64	2/15	4/15	0.0
2	12/15 ⁽³⁾	15/15 ⁽³⁾	64	12/15 ⁽³⁾	24/15	1.0
3	15/15	8/15	64	15/8	30/15	1.5
4	15/15	4/15	64	15/4	30/15	1.5

Note 1: Δ_{ACK} , Δ_{NACK} and $\Delta_{CQI} = 8 \Leftrightarrow A_{hs} = \beta_{hs}/\beta_c = 30/15 \Leftrightarrow \beta_{hs} = 30/15 * \beta_c$
 Note 2: CM = 1 for $\beta_c/\beta_a = 12/15$, $\beta_{hs}/\beta_c = 24/15$.
 Note 3: For subtest 2 the β_c/β_a ratio of 12/15 for the TFC during the measurement period (TF1, TF0) is achieved by setting the signaled gain factors for the reference TFC (TF1, TF1) to $\beta_c = 11/15$ and $\beta_a = 15/15$.

3. **UMTS:** The 3G SAR test reduction procedure is applied to HSPA (HSUPA/HSDPA with RMC) with 12.2 kbps RMC as the primary mode. Since the maximum output power in a secondary mode (HSPA) is $\leq 1/4$ dB higher than the primary mode (WCDMA), SAR measurement is not required for the secondary mode (HSPA). The following 5 sub-tests were completed according to Release 6 procedures in section 5.2 of 3GPP TS 34.121. A summary of these settings are illustrated below:

Sub-test	β_c	β_a	β_a (SF)	β_c/β_a	$\beta_{hs}^{(1)}$	β_{ec}	β_{ed}	β_{ed} (SF)	β_{ed} (codes)	CM ⁽²⁾ (dB)	MPR (dB)	AG ⁽⁴⁾ Index	E-TFCI
1	11/15 ⁽³⁾	15/15 ⁽³⁾	64	11/15 ⁽³⁾	22/15	209/225	1039/225	4	1	1.0	0.0	20	75
2	6/15	15/15	64	6/15	12/15	12/15	94/75	4	1	3.0	2.0	12	67
3	15/15	9/15	64	15/9	30/15	30/15	$\beta_{ed1}: 47/15$ $\beta_{ed2}: 47/15$	4	2	2.0	1.0	15	92
4	2/15	15/15	64	2/15	4/15	2/15	56/75	4	1	3.0	2.0	17	71
5	15/15 ⁽⁴⁾	15/15 ⁽⁴⁾	64	15/15 ⁽⁴⁾	30/15	24/15	134/15	4	1	1.0	0.0	21	81

Note 1: Δ_{ACK} , Δ_{NACK} and $\Delta_{CQI} = 8 \Leftrightarrow A_{hs} = \beta_{hs}/\beta_c = 30/15 \Leftrightarrow \beta_{hs} = 30/15 * \beta_c$.
 Note 2: CM = 1 for $\beta_c/\beta_a = 12/15$, $\beta_{hs}/\beta_c = 24/15$. For all other combinations of DPDCH, DPCCH, HS-DPCCH, E-DPDCH and E-DPCCH the MPR is based on the relative CM difference.
 Note 3: For subtest 1 the β_c/β_a ratio of 11/15 for the TFC during the measurement period (TF1, TF0) is achieved by setting the signaled gain factors for the reference TFC (TF1, TF1) to $\beta_c = 10/15$ and $\beta_a = 15/15$.
 Note 4: For subtest 5 the β_c/β_a ratio of 15/15 for the TFC during the measurement period (TF1, TF0) is achieved by setting the signaled gain factors for the reference TFC (TF1, TF1) to $\beta_c = 14/15$ and $\beta_a = 15/15$.
 Note 5: Testing UE using E-DPDCH Physical Layer category 1 Sub-test 3 is not required according to TS 25.306 Table 5.1g.
 Note 6: β_{ed} cannot be set directly; it is set by Absolute Grant Value.

4. **UMTS:** The 3G SAR test reduction procedure is applied to HSPA+ with 12.2 kbps RMC as the primary mode. Since the maximum output power in a secondary mode (HSPA+) is $\leq 1/4$ dB higher than the primary mode (WCDMA), SAR measurement is not required for the secondary mode (HSPA+). The following 1 sub-test was completed according to Release 7 procedures in section 5.2 of 3GPP TS34.121. A summary of these settings are illustrated below:

Unless otherwise stated the results shown in this test report refer only to the sample(s) tested and such sample(s) are retained for 90 days only.

除非另有說明，此報告結果僅對測試之樣品負責，同時此樣品僅保留90天。本報告未經本公司書面許可，不可部份複製。

This document is issued by the Company subject to its General Conditions of Service printed overleaf, available on request or accessible at <http://www.sgs.com.tw/Terms-and-Conditions> and for electronic format documents, subject to Terms and Conditions for Electronic Documents at <http://www.sgs.com.tw/Terms-and-Conditions>. Attention is drawn to the limitation of liability, indemnification and jurisdiction issues defined therein. Any holder of this document is advised that information contained hereon reflects the Company's findings at the time of its intervention only and within the limits of Client's instructions, if any. The Company's sole responsibility is to its Client and this document does not exonerate parties to a transaction from exercising all their rights and obligations under the transaction documents. This document cannot be reproduced except in full, without prior written approval of the Company. Any unauthorized alteration, forgery or falsification of the content or appearance of this document is unlawful and offenders may be prosecuted to the fullest extent of the law.

Table C.11.1.4: β values for transmitter characteristics tests with HS-DPCCH and E-DCH with 16QAM.

Sub-test	β_{c^*} (Note 3)	β_{d^*}	β_{HS^*} (Note 1)	β_{ec^*}	β_{ed^*} (2xSF2) (Note 4)	β_{ed^*} (2xSF4) (Note 4)	CM (dB) (Note 2)	MPR (dB) (Note 2)	AG Index (Note 4)	E-TFCI (Note 5)	E-TFCI (boost)
1	1	0	30/15	30/15	β_{ed1} : 30/15 β_{ed2} : 30/15	β_{ed3} : 24/15 β_{ed4} : 24/15	3.5	2.5	14	105	105
Note 1: Δ_{ACK} , Δ_{NACK} and $\Delta_{CQI} = 30/15$ with $\beta_{HS} = 30/15 * \beta_c$. Note 2: CM = 3.5 and the MPR is based on the relative CM difference, $MPR = \text{MAX}(CM-1, 0)$. Note 3: DPDCH is not configured, therefore the β_c is set to 1 and $\beta_d = 0$ by default. Note 4: β_{ed} can not be set directly; it is set by Absolute Grant Value. Note 5: All the sub-tests require the UE to transmit 2SF2+2SF4 16QAM EDCH and they apply for UE using E-DPDCH category 7. E-DCH TTI is set to 2ms TTI and E-DCH table index = 2. To support these E-DCH configurations DPDCH is not allocated. The UE is signalled to use the extrapolation algorithm.											

5. **UMTS:** The 3G SAR test reduction procedure is applied to DC-HSDPA with 12.2 kbps RMC as the primary mode. Power is measured for DC-HSDPA according to the H-Set 12, FRC configuration in Table C.8.1.12 of 3GPP TS 34.121-1 to determine SAR test reduction. A primary and a secondary serving HS-DSCH Cell are required to perform the power measurement and for the results to be acceptable. Since the maximum output power in a secondary mode (DC-HSDPA) is $\leq 1/4$ dB higher than the primary mode (WCDMA), SAR measurement is not required for the secondary mode (DC-HSDPA). The following tests were completed according to procedures in section 7.3.13 of 3GPP TS 34.108 v9.5.0. A summary of these setting are illustrated below:

The configurations of the fixed reference channels for HSDPA RF tests are described in 3GPP TS 34.121, annex C for FDD and 3GPP TS 34.122

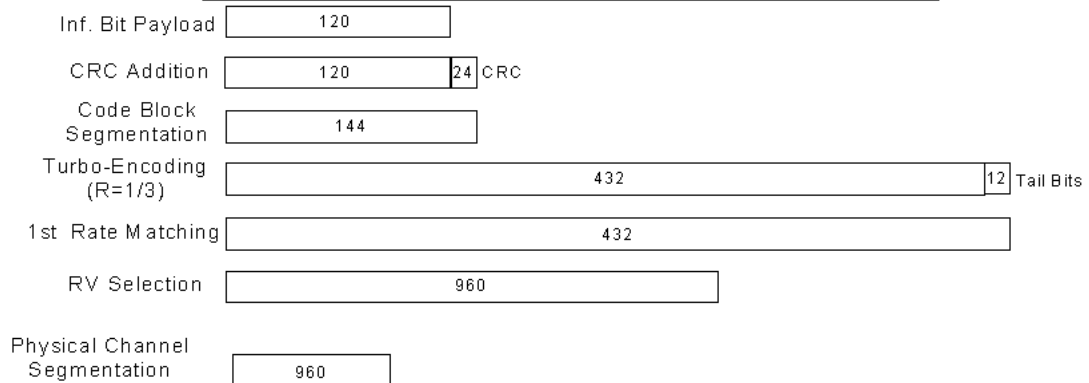
Unless otherwise stated the results shown in this test report refer only to the sample(s) tested and such sample(s) are retained for 90 days only.

除非另有說明，此報告結果僅對測試之樣品負責，同時此樣品僅保留90天。本報告未經本公司書面許可，不可部份複製。

This document is issued by the Company subject to its General Conditions of Service printed overleaf, available on request or accessible at <http://www.sgs.com.tw/Terms-and-Conditions> and for electronic format documents, subject to Terms and Conditions for Electronic Documents at <http://www.sgs.com.tw/Terms-and-Conditions>. Attention is drawn to the limitation of liability, indemnification and jurisdiction issues defined therein. Any holder of this document is advised that information contained hereon reflects the Company's findings at the time of its intervention only and within the limits of Client's instructions, if any. The Company's sole responsibility is to its Client and this document does not exonerate parties to a transaction from exercising all their rights and obligations under the transaction documents. This document cannot be reproduced except in full, without prior written approval of the Company. Any unauthorized alteration, forgery or falsification of the content or appearance of this document is unlawful and offenders may be prosecuted to the fullest extent of the law.

Table C.8.1.12: Fixed Reference Channel H-Set 12

Parameter	Unit	Value
Nominal Avg. Inf. Bit Rate	kbps	60
Inter-TTI Distance	TTI's	1
Number of HARQ Processes	Processes	6
Information Bit Payload (N_{INF})	Bits	120
Number Code Blocks	Blocks	1
Binary Channel Bits Per TTI	Bits	960
Total Available SML's in UE	SML's	19200
Number of SML's per HARQ Proc.	SML's	3200
Coding Rate		0.15
Number of Physical Channel Codes	Codes	1
Modulation		QPSK
Note 1: The RMC is intended to be used for DC-HSDPA mode and both cells shall transmit with identical parameters as listed in the table. Note 2: Maximum number of transmission is limited to 1, i.e., retransmission is not allowed. The redundancy and constellation version 0 shall be used.		


Figure C.8.19: Coding rate for Fixed reference Channel H-Set 12 (QPSK)

The following 4 sub-tests for HSDPA were completed according to Release 8 procedures in section 5.2 of 3GPP TS34.121. A summary of subtest settings are illustrated below:

Sub-test	β_c	β_a	β_a (SF)	β_c/β_a	$\beta_{hs}^{(1)}$	CM (dB) ⁽²⁾
1	2/15	15/15	64	2/15	4/15	0.0
2	12/15 ⁽³⁾	15/15 ⁽³⁾	64	12/15 ⁽³⁾	24/15	1.0
3	15/15	8/15	64	15/8	30/15	1.5
4	15/15	4/15	64	15/4	30/15	1.5

Note 1: $\Delta_{ACK}, \Delta_{NACK}$ and $\Delta_{CQI} = 8 \Leftrightarrow A_{hs} = \beta_{hs}/\beta_c = 30/15 \Leftrightarrow \beta_{hs} = 30/15 * \beta_c$
 Note 2: CM = 1 for $\beta_c/\beta_a = 12/15, \beta_{hs}/\beta_c = 24/15$.
 Note 3: For subtest 2 the β_c/β_a ratio of 12/15 for the TFC during the measurement period (TF1, TF0) is achieved by setting the signaled gain factors for the reference TFC (TF1, TF1) to $\beta_c = 11/15$ and $\beta_a = 15/15$.

Unless otherwise stated the results shown in this test report refer only to the sample(s) tested and such sample(s) are retained for 90 days only.

除非另有說明，此報告結果僅對測試之樣品負責，同時此樣品僅保留90天。本報告未經本公司書面許可，不可部份複製。

This document is issued by the Company subject to its General Conditions of Service printed overleaf, available on request or accessible at <http://www.sgs.com.tw/Terms-and-Conditions> and for electronic format documents, subject to Terms and Conditions for Electronic Documents at <http://www.sgs.com.tw/Terms-and-Conditions>. Attention is drawn to the limitation of liability, indemnification and jurisdiction issues defined therein. Any holder of this document is advised that information contained hereon reflects the Company's findings at the time of its intervention only and within the limits of Client's instructions, if any. The Company's sole responsibility is to its Client and this document does not exonerate parties to a transaction from exercising all their rights and obligations under the transaction documents. This document cannot be reproduced except in full, without prior written approval of the Company. Any unauthorized alteration, forgery or falsification of the content or appearance of this document is unlawful and offenders may be prosecuted to the fullest extent of the law.

6. **LTE: LTE modes test according to KDB 941225D05v02r05.**

a. Per Section 5.2.1, the largest channel bandwidth and measure SAR for QPSK with 1 RB allocation.

- Using the RB offset and required test channel combination with the highest maximum output power for RB offsets at the upper edge, middle and lower edge of each required test channel.

- When the reported SAR is ≤ 0.8 W/kg, testing of the remaining RB offset configurations and required test channels is not required for 1 RB allocation; otherwise, SAR is required for the remaining required test channels and only for the RB offset configuration with the highest output power for that channel.

- When the reported SAR of a required test channel is > 1.45 W/kg, SAR is required for all three RB offset configurations for that required test channel.

b. Per Section 5.2.2, the largest channel bandwidth and measure SAR for QPSK with 50% RB allocation

- The procedures required for 1 RB allocation in 5.2.1 are applied to measure the SAR for QPSK with 50% RB allocation.

c. Per Section 5.2.3, the largest channel bandwidth and measure SAR for QPSK with 100% RB allocation

- For QPSK with 100% RB allocation, SAR is not required when the highest maximum output power for 100 % RB allocation is less than the highest maximum output power in 50% and 1 RB allocations and the highest reported SAR for 1 RB and 50% RB allocation in 5.2.1 and 5.2.2 are ≤ 0.8 W/kg.

- Otherwise, SAR is measured for the highest output power channel and if the reported SAR is > 1.45 W/kg, the remaining required test channels must also be tested.

d. Per Section 5.2.4, Higher order modulations

- For each modulation besides QPSK; e.g., 16-QAM, 64-QAM, apply the QPSK procedures in sections 5.2.1, 5.2.2 and 5.2.3 to determine the QAM configurations that may need SAR measurement. For each configuration identified as required for testing, SAR is required only when the highest maximum output power for the configuration in the higher order modulation is $> \frac{1}{2}$ dB higher than the same configuration in QPSK or when the reported SAR for the QPSK configuration is > 1.45 W/kg.

e. Per Section 5.3, other channel bandwidth standalone SAR test requirements

Unless otherwise stated the results shown in this test report refer only to the sample(s) tested and such sample(s) are retained for 90 days only.

除非另有說明，此報告結果僅對測試之樣品負責，同時此樣品僅保留90天。本報告未經本公司書面許可，不可部份複製。

This document is issued by the Company subject to its General Conditions of Service printed overleaf, available on request or accessible at <http://www.sgs.com.tw/Terms-and-Conditions> and for electronic format documents, subject to Terms and Conditions for Electronic Documents at <http://www.sgs.com.tw/Terms-and-Conditions>. Attention is drawn to the limitation of liability, indemnification and jurisdiction issues defined therein. Any holder of this document is advised that information contained hereon reflects the Company's findings at the time of its intervention only and within the limits of Client's instructions, if any. The Company's sole responsibility is to its Client and this document does not exonerate parties to a transaction from exercising all their rights and obligations under the transaction documents. This document cannot be reproduced except in full, without prior written approval of the Company. Any unauthorized alteration, forgery or falsification of the content or appearance of this document is unlawful and offenders may be prosecuted to the fullest extent of the law.

- For the other channel bandwidths used by the device in a frequency band, apply all the procedures required for the largest channel bandwidth in section 5.2 to determine the channels and RB configurations that need SAR testing and only measure SAR when the highest maximum output power of a configuration requiring testing in the smaller channel bandwidth is $> \frac{1}{2}$ dB higher than the equivalent channel configurations in the largest channel bandwidth configuration or the reported SAR of a configuration for the largest channel bandwidth is > 1.45 W/kg. The equivalent channel configuration for the RB allocation, RB offset and modulation etc. is determined for the smaller channel bandwidth according to the same number of RB allocated in the largest channel bandwidth.
- TDD LTE was tested at highest duty factor using UL-DL configuration 0 with 6 UL subframes and 2 special subframes using extended cyclic prefix only and special subframe configuration 6. SAR tests were performed at maximum output power and worst-case transmission duty factor in extended cyclic prefix. Per 3GPP 36.211 Section 4.2, the duty factor for UL-DL configuration 0/special subframe configuration 6 using extended cyclic prefix is 0.633. According to KDB 941225 D05, SAR testing for TDD LTE must be tested using a fixed periodic duty factor according to the highest transmission duty factor implemented for the device and supported by the defined 3GPP TDD LTE configurations. The TDD-LTE of this device supports frame structure type 2 defined in 3GPP TS 36.211 section 4.2, and the frame structure configuration can be tabulated as below.

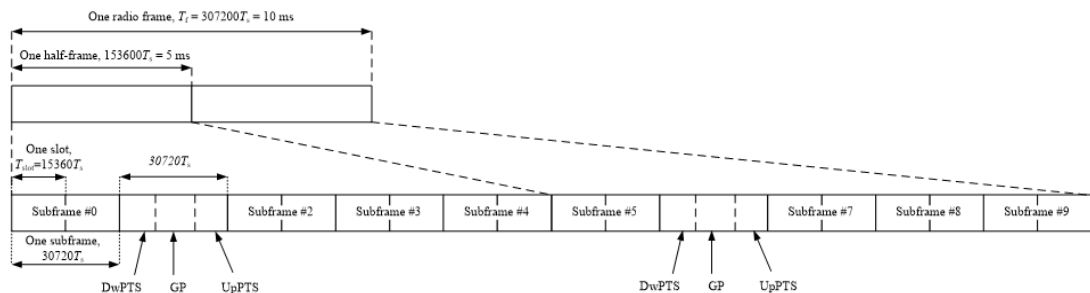


Figure 4.2-1: Frame structure type 2 (for 5 ms switch-point periodicity)

Unless otherwise stated the results shown in this test report refer only to the sample(s) tested and such sample(s) are retained for 90 days only.
 除非另有說明，此報告結果僅對測試之樣品負責，同時此樣品僅保留90天。本報告未經本公司書面許可，不可部份複製。

This document is issued by the Company subject to its General Conditions of Service printed overleaf, available on request or accessible at <http://www.sgs.com.tw/Terms-and-Conditions> and for electronic format documents, subject to Terms and Conditions for Electronic Documents at <http://www.sgs.com.tw/Terms-and-Conditions>. Attention is drawn to the limitation of liability, indemnification and jurisdiction issues defined therein. Any holder of this document is advised that information contained hereon reflects the Company's findings at the time of its intervention only and within the limits of Client's instructions, if any. The Company's sole responsibility is to its Client and this document does not exonerate parties to a transaction from exercising all their rights and obligations under the transaction documents. This document cannot be reproduced except in full, without prior written approval of the Company. Any unauthorized alteration, forgery or falsification of the content or appearance of this document is unlawful and offenders may be prosecuted to the fullest extent of the law.

Table 4.2-1: Configuration of special subframe (lengths of DwPTS/GP/UpPTS)

Special subframe configuration n ^o	Normal cyclic prefix in downlink ^o			Extended cyclic prefix in downlink ^o		
	DwPTS ^o	UpPTS ^o		DwPTS ^o	UpPTS ^o	
		Normal cyclic prefix in uplink ^o	Extended cyclic prefix in uplink ^o		Normal cyclic prefix in uplink ^o	Extended cyclic prefix in uplink ^o
0 ^o	$6592 \cdot T_s$	$(1+X) \cdot 2192 \cdot T_s$	$(1+X) \cdot 2560 \cdot T_s$	$7680 \cdot T_s$	$(1+X) \cdot 2192 \cdot T_s$	$(1+X) \cdot 2560 \cdot T_s$
1 ^o	$19760 \cdot T_s$			20480 · T _s		
2 ^o	$21952 \cdot T_s$			23040 · T _s		
3 ^o	$24144 \cdot T_s$			25600 · T _s		
4 ^o	$26336 \cdot T_s$			7680 · T _s		
5 ^o	$6592 \cdot T_s$	$(2+X) \cdot 2192 \cdot T_s$	$(2+X) \cdot 2560 \cdot T_s$	20480 · T _s	$(2+X) \cdot 2192 \cdot T_s$	$(2+X) \cdot 2560 \cdot T_s$
6 ^o	$19760 \cdot T_s$			23040 · T _s		
7 ^o	$21952 \cdot T_s$			12800 · T _s		
8 ^o	$24144 \cdot T_s$			-		
9 ^o	$13168 \cdot T_s$			-		

Table 4.2-2: Uplink-downlink configurations

Uplink-downlink configuration ^o	Downlink-to-Uplink Switch-point periodicity ^o	Subframe number ^o									
		0 ^o	1 ^o	2 ^o	3 ^o	4 ^o	5 ^o	6 ^o	7 ^o	8 ^o	9 ^o
0 ^o	5 ms ^o	D ^o	S ^o	U ^o	U ^o	U ^o	D ^o	D ^o	S ^o	U ^o	U ^o
1 ^o	5 ms ^o	D ^o	S ^o	U ^o	U ^o	D ^o	D ^o	S ^o	U ^o	U ^o	D ^o
2 ^o	5 ms ^o	D ^o	S ^o	U ^o	U ^o	U ^o	D ^o	D ^o	S ^o	U ^o	D ^o
3 ^o	10 ms ^o	D ^o	S ^o	U ^o	U ^o	U ^o	D ^o	D ^o	D ^o	D ^o	D ^o
4 ^o	10 ms ^o	D ^o	S ^o	U ^o	U ^o	D ^o	D ^o	D ^o	D ^o	D ^o	D ^o
5 ^o	10 ms ^o	D ^o	S ^o	U ^o	D ^o	D ^o	D ^o	D ^o	D ^o	D ^o	D ^o
6 ^o	5 ms ^o	D ^o	S ^o	U ^o	U ^o	U ^o	D ^o	S ^o	U ^o	U ^o	D ^o

Considering the highest transmission duty cycle, TDD LTE power class 3 was tested using Uplink-Downlink configuration 0 with 6 uplink subframe and 2 special subframe. The special subframe was set to special subframe configuration 6 using extended cyclic prefix uplink. Therefore, SAR testing for TDD LTE was measured at the maximum output power with highest transmission duty cycle of 63.33%. Also, TDD LTE power class 2 was tested using Uplink-Downlink configuration 1 with 4 uplink subframe and 2 special subframe. The special subframe was set to special subframe configuration 6 using extended cyclic prefix uplink. Therefore, SAR testing for TDD LTE was measured at the maximum output power with highest transmission duty cycle of 43.33%

7. LTE downlink CA: The device supports a maximum of 6 carriers in the downlink.

Unless otherwise stated the results shown in this test report refer only to the sample(s) tested and such sample(s) are retained for 90 days only.

除非另有說明，此報告結果僅對測試之樣品負責，同時此樣品僅保留90天。本報告未經本公司書面許可，不可部份複製。

This document is issued by the Company subject to its General Conditions of Service printed overleaf, available on request or accessible at <http://www.sgs.com.tw/Terms-and-Conditions> and for electronic format documents, subject to Terms and Conditions for Electronic Documents at <http://www.sgs.com.tw/Terms-and-Conditions>. Attention is drawn to the limitation of liability, indemnification and jurisdiction issues defined therein. Any holder of this document is advised that information contained hereon reflects the Company's findings at the time of its intervention only and within the limits of Client's instructions, if any. The Company's sole responsibility is to its Client and this document does not exonerate parties to a transaction from exercising all their rights and obligations under the transaction documents. This document cannot be reproduced except in full, without prior written approval of the Company. Any unauthorized alteration, forgery or falsification of the content or appearance of this document is unlawful and offenders may be prosecuted to the fullest extent of the law.

All uplink communications are identical to the Release 8 specifications. Uplink maximum output power is measured with downlink carrier aggregation active, only for the channel with highest measured maximum output power when downlink carrier aggregation is inactive, to confirm that when downlink carrier aggregation is active uplink maximum output power remains within the specified tune-up tolerance limits and not more than $\frac{1}{4}$ dB higher than the maximum output power measured when downlink carrier aggregation inactive. The downlink channels selected to perform the uplink power measurement must satisfy 3GPP channel spacing (5.4.1A of 3GPP TS 36.521 or equivalent) and channel bandwidth (5.4.2A) requirements. The nominal channel spacing is determined by $[BW1 + BW2 - 0.1 * |BW1 - BW2|] / 2$ MHz, where BW1 and BW2 are the channel bandwidths of the CC in a 2-CC aggregation configuration. The downlink PCC channel should be paired with the uplink channel according to normal configurations, as if there is no carrier aggregation. The downlink SCC should be adjacent to the PCC and remain within the downlink transmission band for contiguous intra-band CA. For non-contiguous intra-band CA, the SCC should be selected to provide maximum separation from the PCC and must remain fully within the downlink transmission band. For inter-band CA, the SCC should be near the middle of its transmission band. When downlink carrier aggregation is active uplink maximum output power remain within the specified tune-up tolerance limits and not more than $\frac{1}{4}$ dB higher than the maximum output power measured when downlink carrier aggregation inactive, so SAR evaluation is not required for downlink carrier aggregation.

8. **LTE intra-band UL CA (contiguous):** The device supports LTE intra-band contiguous 2 UL CA for CA_5B, CA_7C, CA_66B, CA_66C, CA_38C, CA_41C and CA_48C. The maximum output power is measured for each UL CA configuration for the required test channels. UL PCC configuration is determined by the required test channel. SCC and subsequent CCs are added alternatively to either side of the PCC or within the transmission band for channels at the ends of a frequency band. SAR for UL CA is required in highest standalone test position and frequency band combination. Since the maximum output for UL CA is \leq standalone LTE mode (without CA), PCC is configured according to the highest standalone SAR configuration tested, SCC and subsequent CCs are configured

Unless otherwise stated the results shown in this test report refer only to the sample(s) tested and such sample(s) are retained for 90 days only.

除非另有說明，此報告結果僅對測試之樣品負責，同時此樣品僅保留90天。本報告未經本公司書面許可，不可部份複製。

This document is issued by the Company subject to its General Conditions of Service printed overleaf, available on request or accessible at <http://www.sgs.com.tw/Terms-and-Conditions> and for electronic format documents, subject to Terms and Conditions for Electronic Documents at <http://www.sgs.com.tw/Terms-and-Conditions>. Attention is drawn to the limitation of liability, indemnification and jurisdiction issues defined therein. Any holder of this document is advised that information contained hereon reflects the Company's findings at the time of its intervention only and within the limits of Client's instructions, if any. The Company's sole responsibility is to its Client and this document does not exonerate parties to a transaction from exercising all their rights and obligations under the transaction documents. This document cannot be reproduced except in full, without prior written approval of the Company. Any unauthorized alteration, forgery or falsification of the content or appearance of this document is unlawful and offenders may be prosecuted to the fullest extent of the law.

according to procedures used for power measurement and parameters (BW, RB etc.) similar to that used for the PCC.

9. **5G NR:** NR implementation of n2, n5, n7, n12, n41 and n66 is limited to EN-DC only, with LTE bands 2/5/7/12/13/25/26/30/41/48/66 acting as anchor bands, SAR tests for NR bands and LTE anchor bands were performed separately due to limitations in SAR probe calibration factor. Due to test setup limitation, SAR testing for NR was performed using factory test mode software to establish the connection.
10. **5G NR:** The device supports NSA only (EN-DC only), SA is not supported, so NR can only be transmitted in EN-DC mode. For WWAN Tx8, only LTE B42 can transmit standalone, other bands only can transmit in EN-DC mode
11. **5G NR:** 5G NR Power/SAR procedure is similar with KDB 941225 D05. **a.** For power measurement reduction of DFT-s-OFDM and CP-OFDM, CP-OFDM will not higher than DFT-s-OFDM based on 3GPP MPR table, so CP-OFDM power measurement is unnecessary **b.** For power measurement reduction of DFT-s-OFDM, 16QAM/64QAM/256QAM will not higher than Pi/2 BPSK and QPSK based on 3GPP MPR table, so Pi/2 BPSK and QPSK are measured fully, and 16QAM/64QAM/256QAM is spot check 1RB allocation/1 RB offset configuration to ensure the output power will not ½ dB higher than Pi/2 BPSK and QPSK. Smaller bandwidth output power will spot check Pi/2 BPSK/1RB allocation/1 RB offset configuration to ensure output power will not ½ dB higher than largest supported bandwidth. **c.** SAR testing start with the largest channel bandwidth and measure SAR for Pi/2 BPSK with 1 RB allocation, using the RB offset and required test channel combination with the highest maximum output power for RB offsets at the upper edge, middle and lower edge of each required test channel. **d.** 50% RB allocation for Pi/2 BPSK SAR testing follows 1RB Pi/2 BPSK allocation procedure. **e.** Pi/2 BPSK with 100% RB allocation, SAR is not required when the highest maximum output power for 100 % RB allocation is less than the highest maximum output power in 50% and 1 RB allocations and the highest reported SAR for 1 RB and 50% RB allocation are ≤ 0.8 W/kg. Otherwise, SAR is measured for the highest output power channel; and if the reported SAR is > 1.45 W/kg, the remaining required test channels must also be tested. **f.**

Unless otherwise stated the results shown in this test report refer only to the sample(s) tested and such sample(s) are retained for 90 days only.

除非另有說明，此報告結果僅對測試之樣品負責，同時此樣品僅保留90天。本報告未經本公司書面許可，不可部份複製。

This document is issued by the Company subject to its General Conditions of Service printed overleaf, available on request or accessible at <http://www.sgs.com.tw/Terms-and-Conditions> and for electronic format documents, subject to Terms and Conditions for Electronic Documents at <http://www.sgs.com.tw/Terms-and-Conditions>. Attention is drawn to the limitation of liability, indemnification and jurisdiction issues defined therein. Any holder of this document is advised that information contained hereon reflects the Company's findings at the time of its intervention only and within the limits of Client's instructions, if any. The Company's sole responsibility is to its Client and this document does not exonerate parties to a transaction from exercising all their rights and obligations under the transaction documents. This document cannot be reproduced except in full, without prior written approval of the Company. Any unauthorized alteration, forgery or falsification of the content or appearance of this document is unlawful and offenders may be prosecuted to the fullest extent of the law.

QPSK/16QAM/64QAM/256QAM output powers according to 3GPP MPR will not ½ dB higher than the same configuration in Pi/2 BPSK, also reported SAR for the Pi/2 BPSK configuration is less than 1.45 W/kg, QPSK/16QAM/64QAM/256QAM SAR testing are not required. **g.** Smaller bandwidth output power for each RB allocation configuration for this device will not ½ dB higher than the same configuration in the largest supported bandwidth, and the reported SAR for the largest supported bandwidth is ≤ 1.45 W/kg, smaller bandwidth SAR testing is not required for this device.

12. General: According to KDB447498D01v06, testing of other required channels is not required when the reported 1-g SAR for the highest output channel is ≤ 0.8 W/kg, when the transmission band is ≤ 100 MHz. According to KDB865664D01v01r04, SAR measurement variability must be assessed for each frequency band. When the original highest measured SAR is ≥ 0.8 W/kg, repeated that measurement once. Perform a second repeated measurement only if the ratio of largest to smallest SAR for the original and first repeated measurements is > 1.20 or when the original or repeated measurement is ≥ 1.45 W/kg (~ 10% from the 1-g SAR limit).

13. General: According to KDB447498D01v06, SAR test exclusion is evaluated as below table.

Tx5 antenna

Mode	WCDMA Band II	WCDMA Band IV	WCDMA Band V	LTE B2	LTE B4	LTE B5	LTE B7	LTE B12	LTE B13	LTE B14	LTE B17	LTE B25	LTE B26	LTE B30	LTE B38	LTE B41	LTE B41(HPUe)	LTE B66	n2	n5	n12	n66
Max. tune-up power(dBm)	15.2	16.2	21.3	16.3	16.8	21.7	14.5	20.2	21.4	21.8	21	16.1	22	16.5	16.7	17.3	19.4	16.7	12.3	19.9	17.7	13.7
Max. tune-up power(mW)	33.113	41.687	134.896	42.658	47.863	147.911	28.184	104.713	138.038	151.358	125.893	40.738	158.489	44.668	46.774	53.703	87.096	46.774	16.982	97.724	58.884	23.442
Test separation distance (mm)	18	18	18	18	18	18	18	18	18	18	18	18	18	18	18	18	18	18	18	18	18	18
Calculation value	2.542	3.068	6.905	3.275	3.523	7.571	2.510	4.922	6.803	7.512	5.918	3.132	8.113	3.776	4.206	4.893	7.936	3.467	1.304	5.002	2.768	1.738
Require SAR testing?	NO	YES	YES	YES	YES	YES	NO	YES	YES	YES	YES	YES	YES	YES	YES	YES	YES	YES	NO	YES	NO	NO
Test separation distance (mm)	290	290	290	290	290	290	290	290	290	290	290	290	290	290	290	290	290	290	290	290	290	290
>20cm	YES	YES	YES	YES	YES	YES	YES	YES	YES	YES	YES	YES	YES	YES	YES	YES	YES	YES	YES	YES	YES	YES
Require SAR testing?	NO	NO	NO	NO	NO	NO	NO	NO	NO	NO	NO	NO	NO	NO	NO	NO	NO	NO	NO	NO	NO	NO
Test separation distance (mm)	less than 5	less than 5	less than 5	less than 5	less than 5	less than 5	less than 5	less than 5	less than 5	less than 5	less than 5	less than 5	less than 5	less than 5	less than 5	less than 5	less than 5	less than 5	less than 5	less than 5	less than 5	less than 5
Calculation value	9.153	11.045	24.859	11.791	12.681	27.257	9.036	17.721	24.492	27.042	21.305	11.275	29.207	13.593	15.142	17.616	28.570	12.481	4.694	18.009	9.965	6.255
Require SAR testing?	YES	YES	YES	YES	YES	YES	YES	YES	YES	YES	YES	YES	YES	YES	YES	YES	YES	YES	YES	YES	YES	YES
Test separation distance (mm)	129	129	129	129	129	129	129	129	129	129	129	129	129	129	129	129	129	129	129	129	129	129
Calculation value	898.536	903.228	609.934	898.536	903.228	609.934	883.567	554.363	583.571	588.195	554.363	898.394	609.934	888.586	882.670	881.457	881.457	902.430	898.536	609.934	554.363	902.430
Require SAR testing?	NO	NO	NO	NO	NO	NO	NO	NO	NO	NO	NO	NO	NO	NO	NO	NO	NO	NO	NO	NO	NO	NO
Test separation distance (mm)	less than 5	less than 5	less than 5	less than 5	less than 5	less than 5	less than 5	less than 5	less than 5	less than 5	less than 5	less than 5	less than 5	less than 5	less than 5	less than 5	less than 5	less than 5	less than 5	less than 5	less than 5	less than 5
Calculation value	9.153	11.045	24.859	11.791	12.681	27.257	9.036	17.721	24.492	27.042	21.305	11.275	29.207	13.593	15.142	17.616	28.570	12.481	4.694	18.009	9.965	6.255
Require SAR testing?	YES	YES	YES	YES	YES	YES	YES	YES	YES	YES	YES	YES	YES	YES	YES	YES	YES	YES	YES	YES	YES	YES

Unless otherwise stated the results shown in this test report refer only to the sample(s) tested and such sample(s) are retained for 90 days only.

除非另有說明，此報告結果僅對測試之樣品負責，同時此樣品僅保留90天。本報告未經本公司書面許可，不可部份複製。

This document is issued by the Company subject to its General Conditions of Service printed overleaf, available on request or accessible at <http://www.sgs.com.tw/Terms-and-Conditions> and for electronic format documents, subject to Terms and Conditions for Electronic Documents at <http://www.sgs.com.tw/Terms-and-Conditions>. Attention is drawn to the limitation of liability, indemnification and jurisdiction issues defined therein. Any holder of this document is advised that information contained hereon reflects the Company's findings at the time of its intervention only and within the limits of Client's instructions, if any. The Company's sole responsibility is to its Client and this document does not exonerate parties to a transaction from exercising all their rights and obligations under the transaction documents. This document cannot be reproduced except in full, without prior written approval of the Company. Any unauthorized alteration, forgery or falsification of the content or appearance of this document is unlawful and offenders may be prosecuted to the fullest extent of the law.

Tx8 antenna

Mode	LTE B2	LTE B7	LTE B42	LTE B48	LTE B66	n2	n7	n41	n41(HPUE)	n66
Max. tune-up power(dBm)	16.4	11.6	17.5	17.7	19	18	11.8	12.5	14.9	13.8
Max. tune-up power(mW)	43.652	14.454	56.234	58.884	79.433	63.096	15.136	17.783	30.903	23.988
Top side	Test separation distance (mm)	less than 5	less than 5	less than 5	less than 5	less than 5	less than 5	less than 5	less than 5	less than 5
	Calculation value	12.066	4.634	21.339	22.653	21.195	17.440	4.853	5.833	10.137
	Require SAR testing?	YES	YES	YES	YES	YES	YES	YES	YES	YES
Right side	Test separation distance (mm)	49	49	49	49	49	49	49	49	49
	Calculation value	1.231	0.473	2.177	2.312	2.163	1.780	0.495	0.595	1.034
	Require SAR testing?	NO	NO	NO	NO	NO	NO	NO	NO	NO
Left side	Test separation distance (mm)	219	219	219	219	219	219	219	219	219
	>20cm	YES	YES	YES	YES	YES	YES	YES	YES	YES
	Require SAR testing?	NO	NO	NO	NO	NO	NO	NO	NO	NO
Bottom side	Test separation distance (mm)	189	189	189	189	189	189	189	189	189
	Calculation value	1498.536	1483.567	1469.057	1467.981	1502.430	1498.536	1483.567	1481.457	1481.457
	Require SAR testing?	NO	NO	NO	NO	NO	NO	NO	NO	NO
Back side	Test separation distance (mm)	less than 5	less than 5	less than 5	less than 5	less than 5	less than 5	less than 5	less than 5	less than 5
	Calculation value	12.066	4.634	21.339	22.653	21.195	17.440	4.853	5.833	10.137
	Require SAR testing?	YES	YES	YES	YES	YES	YES	YES	YES	YES

Laptop Mode	LTE B2	LTE B7	LTE B42	LTE B48	LTE B66	n2	n7	n41	n41(HPUE)	n66
Max. tune-up power(dBm)	24	24	24	22	24	24	24	24	27	24
Max. tune-up power(mW)	251.189	251.189	251.189	158.489	251.189	251.189	251.189	251.189	501.187	251.189
Bottom side	Test separation distance (mm)	198	198	198	198	198	198	198	198	198
	Calculation value	1588.536	1573.567	1559.057	1557.981	1592.430	1588.536	1573.567	1571.457	1571.457
	Require SAR testing?	NO	NO	NO	NO	NO	NO	NO	NO	NO

Unless otherwise stated the results shown in this test report refer only to the sample(s) tested and such sample(s) are retained for 90 days only.

除非另有說明，此報告結果僅對測試之樣品負責，同時此樣品僅保留90天。本報告未經本公司書面許可，不可部份複製。

This document is issued by the Company subject to its General Conditions of Service printed overleaf, available on request or accessible at <http://www.sgs.com.tw/Terms-and-Conditions> and for electronic format documents, subject to Terms and Conditions for Electronic Documents at <http://www.sgs.com.tw/Terms-and-Conditions>. Attention is drawn to the limitation of liability, indemnification and jurisdiction issues defined therein. Any holder of this document is advised that information contained hereon reflects the Company's findings at the time of its intervention only and within the limits of Client's instructions, if any. The Company's sole responsibility is to its Client and this document does not exonerate parties to a transaction from exercising all their rights and obligations under the transaction documents. This document cannot be reproduced except in full, without prior written approval of the Company. Any unauthorized alteration, forgery or falsification of the content or appearance of this document is unlawful and offenders may be prosecuted to the fullest extent of the law.

1.6 Smart Transmit feature for RF Exposure compliance

The FCC RF exposure limit is defined based on time-averaged RF exposure. The product implements Qualcomm Smart Transmit feature which controls the instantaneous transmit power for WWAN transmitter to ensure the product in compliance with FCC RF exposure limit over a defined time window, for SAR (transmit frequency \leq 6GHz).

The parameters obtained from SAR characterization (referred to as SAR char, respectively) will be used as input for Smart Transmit. SAR char will be entered via the Embedded File System (EFS) to enable the Smart Transmit Feature.

<Terminologies in this report>

P _{limit}	The time-averaged RF power which corresponds to SAR _{design_target}
P _{max}	Maximum tune-up power level
SAR _{design_target}	The design target for SAR compliance. It should be less than SAR limit to account for all device design related uncertainties.
SAR char	P _{limit} for all the technologies/bands

<SAR Characterization>

SAR char must be generated to cover all radio configurations and usage scenarios that the wireless device supports for operating at 6 GHz or below. It will then be used as input for Smart Transmit to control and manage RF exposure for $f < 6$ GHz.

Unless otherwise stated the results shown in this test report refer only to the sample(s) tested and such sample(s) are retained for 90 days only.
 除非另有說明，此報告結果僅對測試之樣品負責，同時此樣品僅保留90天。本報告未經本公司書面許可，不可部份複製。

This document is issued by the Company subject to its General Conditions of Service printed overleaf, available on request or accessible at <http://www.sgs.com.tw/Terms-and-Conditions> and for electronic format documents, subject to Terms and Conditions for Electronic Documents at <http://www.sgs.com.tw/Terms-and-Conditions>. Attention is drawn to the limitation of liability, indemnification and jurisdiction issues defined therein. Any holder of this document is advised that information contained hereon reflects the Company's findings at the time of its intervention only and within the limits of Client's instructions, if any. The Company's sole responsibility is to its Client and this document does not exonerate parties to a transaction from exercising all their rights and obligations under the transaction documents. This document cannot be reproduced except in full, without prior written approval of the Company. Any unauthorized alteration, forgery or falsification of the content or appearance of this document is unlawful and offenders may be prosecuted to the fullest extent of the law.

SAR_design_target and Uncertainty

SAR_design_target is determined by ensuring that it is less than FCC SAR limit after accounting for total device designed related uncertainties specified by the manufacturer

$$\text{SAR_design_target} < \text{SAR_limit} \times 10^{(-\text{total uncertainty}/10)}$$

	Uncertainty dB (k=2)
Total uncertainty	1.0

Exposure	Antenna	Frequency band	SAR_design_target
Laptop mode	Tx5	All	1.11 W/Kg
	Tx8	All	0.635 W/Kg

Exposure	Antenna	Frequency band	SAR_design_target
Tablet mode	Tx5	All	1.16 W/Kg
	Tx8	All	0.635 W/Kg

The Smart Transmit algorithm maintains the time-averaged transmit power, in turn, time-averaged RF exposure of SAR_design_target, below the predefined time-averaged power limit, for each characterized technology and band.

Smart Transmit allows the device to transmit at higher power instantaneously, as high as Pmax, when needed, but enforces power limiting to maintain time-averaged transmit power to Plimit. Below table shows Plimit EFS settings and maximum tune up output power Pmax configured for this EUT for laptop mode.

<Plimit for supported technologies and bands (Plimit in EFS file)>

Antenna	Band	DSI=1	DSI=2	Pmax* (dBm)
		Laptop mode	Tablet mode	
		Plimit** (dBm)	Plimit** (dBm)	
Tx5	WCDMA B II	17.4	14.2	23.5
Tx5	WCDMA B IV	18.4	15.2	23.5
Tx5	WCDMA B V	22.9	20.3	23.5
Tx5	LTE B2	17.5	15.3	23
Tx5	LTE B4	17.2	15.8	23
Tx5	LTE B5	23.6	20.7	23.5

Unless otherwise stated the results shown in this test report refer only to the sample(s) tested and such sample(s) are retained for 90 days only.

除非另有說明，此報告結果僅對測試之樣品負責，同時此樣品僅保留90天。本報告未經本公司書面許可，不可部份複製。

This document is issued by the Company subject to its General Conditions of Service printed overleaf, available on request or accessible at <http://www.sgs.com.tw/Terms-and-Conditions> and for electronic format documents, subject to Terms and Conditions for Electronic Documents at <http://www.sgs.com.tw/Terms-and-Conditions>. Attention is drawn to the limitation of liability, indemnification and jurisdiction issues defined therein. Any holder of this document is advised that information contained hereon reflects the Company's findings at the time of its intervention only and within the limits of Client's instructions, if any. The Company's sole responsibility is to its Client and this document does not exonerate parties to a transaction from exercising all their rights and obligations under the transaction documents. This document cannot be reproduced except in full, without prior written approval of the Company. Any unauthorized alteration, forgery or falsification of the content or appearance of this document is unlawful and offenders may be prosecuted to the fullest extent of the law.

Tx5	LTE B7	17.6	13.5	23
Tx5	LTE B12	22.4	19.2	23.5
Tx5	LTE B13	22.6	20.4	23.5
Tx5	LTE B14	23.1	20.8	23.5
Tx5	LTE B17	22.5	20.0	23.5
Tx5	LTE B25	17.8	15.1	23
Tx5	LTE B26	23.3	21.0	23.5
Tx5	LTE B30	19.2	15.5	22
Tx5	LTE B38	19.2	13.7	21
Tx5	LTE B41 PC3	19.3	14.3	21
Tx5	LTE B41 PC2	19.3	14.8	22.4
Tx5	LTE B66	18.4	15.7	23
Tx5	5G n2	17.0	11.3	23
Tx5	5G n5	21.9	18.9	23
Tx5	5G n12	21.4	16.7	23
Tx5	5G n66	17.3	12.7	23
Tx8	LTE B2	28	15.4	23
Tx8	LTE B7	28	10.6	23
Tx8	LTE B42	28	14.5	21
Tx8	LTE B48	28	14.7	19
Tx8	LTE B66	28	18.0	23
Tx8	5G n2	28	17.0	23
Tx8	5G n7	28	10.8	23
Tx8	5G n41 PC2	28	13.9	26
Tx8	5G n41 PC3	28	11.5	23
Tx8	5G n66	28	12.8	23

*Pmax is used for RF tune up procedure. The maximum allowed output power is equal to Pmax + 1dB uncertainty.

**All Plimit power levels entered in the Table correspond to average power levels after accounting for duty cycle in the case TDD modulation schemes (for e.g., LTE TDD).

The max allowed output power is the Plimit + 1dB device uncertainty, and if Plimit is higher than Pmax, the device output power will be Pmax instead.

Unless otherwise stated the results shown in this test report refer only to the sample(s) tested and such sample(s) are retained for 90 days only.

除非另有說明，此報告結果僅對測試之樣品負責，同時此樣品僅保留90天。本報告未經本公司書面許可，不可部份複製。

This document is issued by the Company subject to its General Conditions of Service printed overleaf, available on request or accessible at <http://www.sgs.com.tw/Terms-and-Conditions> and for electronic format documents, subject to Terms and Conditions for Electronic Documents at <http://www.sgs.com.tw/Terms-and-Conditions>. Attention is drawn to the limitation of liability, indemnification and jurisdiction issues defined therein. Any holder of this document is advised that information contained hereon reflects the Company's findings at the time of its intervention only and within the limits of Client's instructions, if any. The Company's sole responsibility is to its Client and this document does not exonerate parties to a transaction from exercising all their rights and obligations under the transaction documents. This document cannot be reproduced except in full, without prior written approval of the Company. Any unauthorized alteration, forgery or falsification of the content or appearance of this document is unlawful and offenders may be prosecuted to the fullest extent of the law.

1.7 Operating modes validation by power measurement

The device is a convertible laptop computer with predefined single fixed power to each device modes.

For the operating modes validation, the measured conducted output power is monitored qualitatively to identify the triggering characteristics and recorded quantitatively.

DUT operating mode	Lid Angle description	WWAN TX5 state	WWAN TX8 state	WLAN TX state
Lid Close	$0^\circ \leq \text{Lid angle} < 35^\circ$	Standby mode	Standby mode	Standby mode
Notebook	$35^\circ \leq \text{Lid angle} < 130^\circ$	Power Level 1	Power Level 1	Power Level 1
Non-Notebook	$130^\circ \leq \text{Lid angle} \leq 360^\circ$	Power Level 2	Power Level 2	Power Level 2
Stand mode	$200^\circ < \text{Lid angle} \leq 345^\circ$	Power Level 2	Power Level 1	Power Level 1

Unless otherwise stated the results shown in this test report refer only to the sample(s) tested and such sample(s) are retained for 90 days only.

除非另有說明，此報告結果僅對測試之樣品負責，同時此樣品僅保留90天。本報告未經本公司書面許可，不可部份複製。

This document is issued by the Company subject to its General Conditions of Service printed overleaf, available on request or accessible at <http://www.sgs.com.tw/Terms-and-Conditions> and for electronic format documents, subject to Terms and Conditions for Electronic Documents at <http://www.sgs.com.tw/Terms-and-Conditions>. Attention is drawn to the limitation of liability, indemnification and jurisdiction issues defined therein. Any holder of this document is advised that information contained hereon reflects the Company's findings at the time of its intervention only and within the limits of Client's instructions, if any. The Company's sole responsibility is to its Client and this document does not exonerate parties to a transaction from exercising all their rights and obligations under the transaction documents. This document cannot be reproduced except in full, without prior written approval of the Company. Any unauthorized alteration, forgery or falsification of the content or appearance of this document is unlawful and offenders may be prosecuted to the fullest extent of the law.

SGS Taiwan Ltd. No.134,Wu Kung Road, New Taipei Industrial Park, Wuku District, New Taipei City, Taiwan/新北市五股區新北產業園區五工路 134 號

Reference	Section name	Lot code	Lot Date 1	Lot Date 2	Lot Date 3	Lot Date 4	Lot Date 5	Lot Date 6	Lot Date 7	Lot Date 8	Lot Date 9	Lot Date 10	Lot Date 11	Lot Date 12		
L101	Lit. coat	L101	10/25	10/25	10/25	10/25	10/25	10/25	10/25	10/25	10/25	10/25	10/25	10/25	10/25	
		L101	10/25	10/25	10/25	10/25	10/25	10/25	10/25	10/25	10/25	10/25	10/25	10/25	10/25	
		L101	10/25	10/25	10/25	10/25	10/25	10/25	10/25	10/25	10/25	10/25	10/25	10/25	10/25	
	Lit. coat	L101	10/25	10/25	10/25	10/25	10/25	10/25	10/25	10/25	10/25	10/25	10/25	10/25	10/25	10/25
		L101	10/25	10/25	10/25	10/25	10/25	10/25	10/25	10/25	10/25	10/25	10/25	10/25	10/25	
		L101	10/25	10/25	10/25	10/25	10/25	10/25	10/25	10/25	10/25	10/25	10/25	10/25	10/25	
	L102	Lit. coat	L102	10/25	10/25	10/25	10/25	10/25	10/25	10/25	10/25	10/25	10/25	10/25	10/25	10/25
			L102	10/25	10/25	10/25	10/25	10/25	10/25	10/25	10/25	10/25	10/25	10/25	10/25	
			L102	10/25	10/25	10/25	10/25	10/25	10/25	10/25	10/25	10/25	10/25	10/25	10/25	
		Lit. coat	L102	10/25	10/25	10/25	10/25	10/25	10/25	10/25	10/25	10/25	10/25	10/25	10/25	10/25
			L102	10/25	10/25	10/25	10/25	10/25	10/25	10/25	10/25	10/25	10/25	10/25	10/25	10/25
			L102	10/25	10/25	10/25	10/25	10/25	10/25	10/25	10/25	10/25	10/25	10/25	10/25	
L103		Lit. coat	L103	10/25	10/25	10/25	10/25	10/25	10/25	10/25	10/25	10/25	10/25	10/25	10/25	10/25
			L103	10/25	10/25	10/25	10/25	10/25	10/25	10/25	10/25	10/25	10/25	10/25	10/25	
			L103	10/25	10/25	10/25	10/25	10/25	10/25	10/25	10/25	10/25	10/25	10/25	10/25	
		Lit. coat	L103	10/25	10/25	10/25	10/25	10/25	10/25	10/25	10/25	10/25	10/25	10/25	10/25	10/25
			L103	10/25	10/25	10/25	10/25	10/25	10/25	10/25	10/25	10/25	10/25	10/25	10/25	
			L103	10/25	10/25	10/25	10/25	10/25	10/25	10/25	10/25	10/25	10/25	10/25	10/25	

Unless otherwise stated the results shown in this test report refer only to the sample(s) tested and such sample(s) are retained for 90 days only.

除非另有說明，此報告結果僅對測試之樣品負責，同時此樣品僅保留90天。本報告未經本公司書面許可，不可部份複製。

This document is issued by the Company subject to its General Conditions of Service printed overleaf, available on request or accessible at <http://www.sgs.com.tw/Terms-and-Conditions>, and for electronic format documents, subject to Terms and Conditions for Electronic Documents at <http://www.sgs.com.tw/Terms-and-Conditions>. Attention is drawn to the limitation of liability, indemnification and jurisdiction issues defined therein. Any holder of this document is advised that information contained hereon reflects the Company's findings at the time of its intervention only and within the limits of Client's instructions, if any. The Company's sole responsibility is to its Client and this document does not exonerate parties to a transaction from exercising all their rights and obligations under the transaction documents. This document cannot be reproduced except in full, without prior written approval of the Company. Any unauthorized alteration, forgery or falsification of the content or appearance of this document is unlawful and offenders may be prosecuted to the fullest extent of the law.

1.8 The SAR Measurement System

A block diagram of the SAR measurement System is given in Fig. a. This SAR Measurement System uses a Computer-controlled 3-D stepper motor system (SPEAG DASY 5 professional system). The model EX3DV4 field probe is used to determine the internal electric fields. The SAR can be obtained from the equation $SAR = \sigma (|E|)^2 / \rho$ where σ and ρ are the conductivity and mass density of the tissue-simulant.

The DASY 5 system for performing compliance tests consists of the following items:

1. A standard high precision 6-axis robot (Staubli RX family) with controller, teach pendant and software. An arm extension is for accommodating the data acquisition electronics (DAE).
2. A dosimetric probe, i.e., an isotropic E-field probe optimized and calibrated for usage in tissue simulating liquid. The probe is equipped with an optical surface detector system.
3. A data acquisition electronics (DAE) which performs the signal amplification, signal multiplexing, AD-conversion, offset measurements, mechanical surface detection, collision detection, etc. The unit is battery powered with standard or rechargeable batteries. The signal is optically transmitted to the EOC.

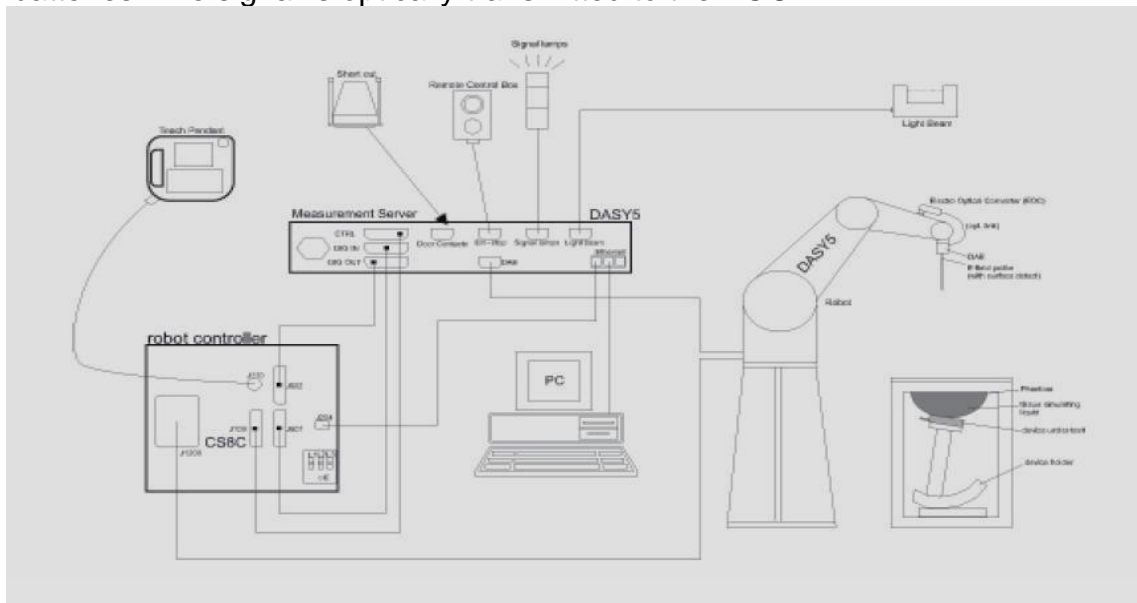


Fig. a The block diagram of SAR system

Unless otherwise stated the results shown in this test report refer only to the sample(s) tested and such sample(s) are retained for 90 days only.

除非另有說明，此報告結果僅對測試之樣品負責，同時此樣品僅保留90天。本報告未經本公司書面許可，不可部份複製。

This document is issued by the Company subject to its General Conditions of Service printed overleaf, available on request or accessible at <http://www.sgs.com.tw/Terms-and-Conditions> and for electronic format documents, subject to Terms and Conditions for Electronic Documents at <http://www.sgs.com.tw/Terms-and-Conditions>. Attention is drawn to the limitation of liability, indemnification and jurisdiction issues defined therein. Any holder of this document is advised that information contained hereon reflects the Company's findings at the time of its intervention only and within the limits of Client's instructions, if any. The Company's sole responsibility is to its Client and this document does not exonerate parties to a transaction from exercising all their rights and obligations under the transaction documents. This document cannot be reproduced except in full, without prior written approval of the Company. Any unauthorized alteration, forgery or falsification of the content or appearance of this document is unlawful and offenders may be prosecuted to the fullest extent of the law.


4. The Electro-optical converter (EOC) performs the conversion between optical and electrical of the signals for the digital communication to the DAE and for the analog signal from the optical surface detection. The EOC is connected to the measurement server.
5. The function of the measurement server is to perform the time critical tasks such as signal filtering, control of the robot operation and fast movement interrupts.
6. A probe alignment unit which improves the (absolute) accuracy of the probe positioning.
7. A computer operating Windows 7.
8. DASY 5 software.
9. Remote control with teach pendant and additional circuitry for robot safety such as warning lamps, etc.
10. Tissue simulating liquid mixed according to the given recipes.
11. Validation dipole kits allowing to validate the proper functioning of the system.

Unless otherwise stated the results shown in this test report refer only to the sample(s) tested and such sample(s) are retained for 90 days only.
除非另有說明，此報告結果僅對測試之樣品負責，同時此樣品僅保留90天。本報告未經本公司書面許可，不可部份複製。

This document is issued by the Company subject to its General Conditions of Service printed overleaf, available on request or accessible at <http://www.sgs.com.tw/Terms-and-Conditions> and for electronic format documents, subject to Terms and Conditions for Electronic Documents at <http://www.sgs.com.tw/Terms-and-Conditions>. Attention is drawn to the limitation of liability, indemnification and jurisdiction issues defined therein. Any holder of this document is advised that information contained hereon reflects the Company's findings at the time of its intervention only and within the limits of Client's instructions, if any. The Company's sole responsibility is to its Client and this document does not exonerate parties to a transaction from exercising all their rights and obligations under the transaction documents. This document cannot be reproduced except in full, without prior written approval of the Company. Any unauthorized alteration, forgery or falsification of the content or appearance of this document is unlawful and offenders may be prosecuted to the fullest extent of the law.

1.9 System Components


EX3DV4 E-Field Probe

Construction	Symmetrical design with triangular core Built-in shielding against static charges PEEK enclosure material (resistant to organic solvents, e.g., DGBE)	
Calibration	Basic Broad Band Calibration in air Conversion Factors (CF) for HSL 750/835/1750/1900/2300/2600/3500/3700MHz Additional CF for other liquids and frequencies upon request	
Frequency	10 MHz to > 6 GHz	
Directivity	± 0.3 dB in HSL (rotation around probe axis) ± 0.5 dB in tissue material (rotation normal to probe axis)	
Dynamic Range	10 µW/g to > 100 mW/g Linearity: ± 0.2 dB (noise: typically < 1 µW/g)	
Dimensions	Tip diameter: 2.5 mm	
Application	High precision dosimetric measurements in any exposure scenario (e.g., very strong gradient fields). Only probe which enables compliance testing for frequencies up to 6 GHz with precision of better 30%.	


Unless otherwise stated the results shown in this test report refer only to the sample(s) tested and such sample(s) are retained for 90 days only.
除非另有說明，此報告結果僅對測試之樣品負責，同時此樣品僅保留90天。本報告未經本公司書面許可，不可部份複製。

This document is issued by the Company subject to its General Conditions of Service printed overleaf, available on request or accessible at <http://www.sgs.com.tw/Terms-and-Conditions> and for electronic format documents, subject to Terms and Conditions for Electronic Documents at <http://www.sgs.com.tw/Terms-and-Conditions>. Attention is drawn to the limitation of liability, indemnification and jurisdiction issues defined therein. Any holder of this document is advised that information contained hereon reflects the Company's findings at the time of its intervention only and within the limits of Client's instructions, if any. The Company's sole responsibility is to its Client and this document does not exonerate parties to a transaction from exercising all their rights and obligations under the transaction documents. This document cannot be reproduced except in full, without prior written approval of the Company. Any unauthorized alteration, forgery or falsification of the content or appearance of this document is unlawful and offenders may be prosecuted to the fullest extent of the law.

PHANTOM

Model	ELI	
Construction	The ELI phantom is used for compliance testing of handheld and body-mounted wireless devices in the frequency range of 30 MHz to 6 GHz. ELI is fully compatible with the IEC 62209-2 standard and all known tissue simulating liquids. ELI has been optimized regarding its performance and can be integrated into our standard phantom tables. A cover prevents evaporation of the liquid. Reference markings on the phantom allow installation of the complete setup, including all predefined phantom positions and measurement grids, by teaching three points. The phantom is compatible with all SPEAG dosimetric probes and dipoles.	
Shell Thickness	2 ± 0.2 mm	
Filling Volume	Approx. 30 liters	
Dimensions	Major axis: 600 mm Minor axis: 400 mm	

DEVICE HOLDER

Construction	The device holder (Supporter) for Notebook is made by POM (polyoxymethylene resin) , which is non-metal and non-conductive. The height can be adjusted to fit varies kind of notebooks.	 <p style="text-align: center;">Device Holder</p>
--------------	---	---

Unless otherwise stated the results shown in this test report refer only to the sample(s) tested and such sample(s) are retained for 90 days only.

除非另有說明，此報告結果僅對測試之樣品負責，同時此樣品僅保留90天。本報告未經本公司書面許可，不可部份複製。

This document is issued by the Company subject to its General Conditions of Service printed overleaf, available on request or accessible at <http://www.sgs.com.tw/Terms-and-Conditions> and for electronic format documents, subject to Terms and Conditions for Electronic Documents at <http://www.sgs.com.tw/Terms-and-Conditions>. Attention is drawn to the limitation of liability, indemnification and jurisdiction issues defined therein. Any holder of this document is advised that information contained hereon reflects the Company's findings at the time of its intervention only and within the limits of Client's instructions, if any. The Company's sole responsibility is to its Client and this document does not exonerate parties to a transaction from exercising all their rights and obligations under the transaction documents. This document cannot be reproduced except in full, without prior written approval of the Company. Any unauthorized alteration, forgery or falsification of the content or appearance of this document is unlawful and offenders may be prosecuted to the fullest extent of the law.

1.10 SAR System Verification

The microwave circuit arrangement for system verification is sketched in Fig. b. The daily system accuracy verification occurs within the flat section of the SAM phantom. A SAR measurement was performed to see if the measured SAR was within $\pm 10\%$ from the target SAR values. These tests were done at 750/835/1750/1900/2300/2600/3500/3700MHz. The tests were conducted on the same days as the measurement of the DUT. The obtained results from the system accuracy verification are displayed in the table 1 (SAR values are normalized to 1W forward power delivered to the dipole). During the tests, the liquid depth above the ear reference points was $\geq 15\text{ cm} \pm 5\text{ mm}$ (frequency $\leq 3\text{ GHz}$) or $\geq 10\text{ cm} \pm 5\text{ mm}$ (frequency $> 3\text{ GHz}$) in all the cases. It is seen that the system is operating within its specification, as the results are within acceptable tolerance of the reference values.

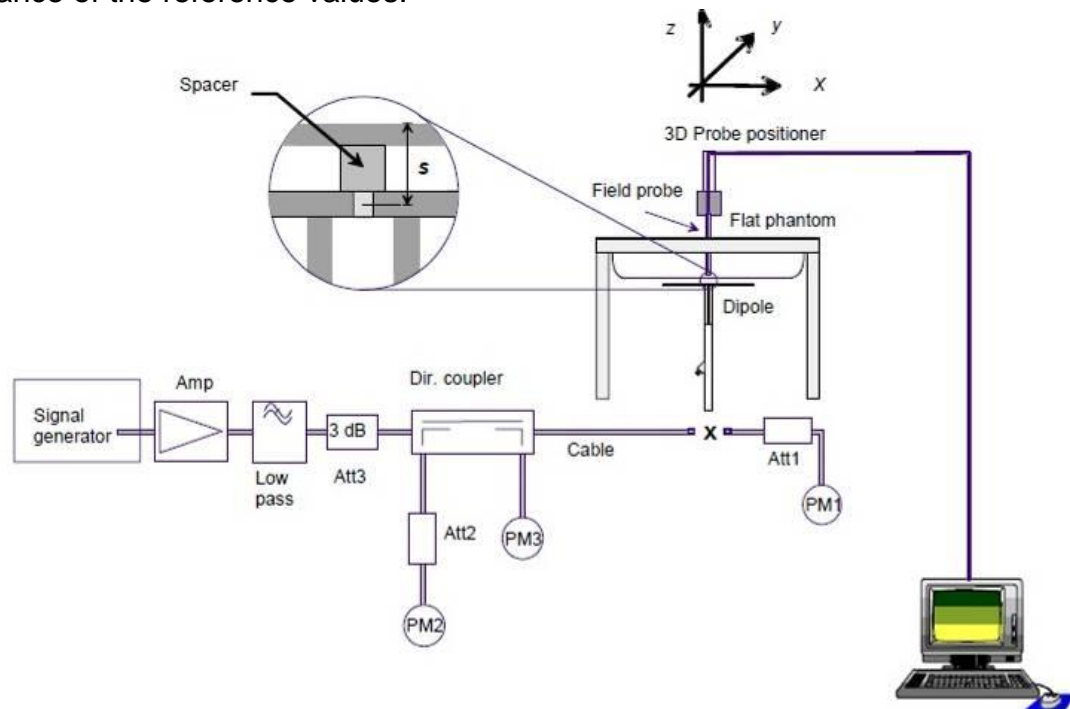


Fig. b The block diagram of system verification

Unless otherwise stated the results shown in this test report refer only to the sample(s) tested and such sample(s) are retained for 90 days only.
 除非另有說明，此報告結果僅對測試之樣品負責，同時此樣品僅保留90天。本報告未經本公司書面許可，不可部份複製。

This document is issued by the Company subject to its General Conditions of Service printed overleaf, available on request or accessible at <http://www.sgs.com.tw/Terms-and-Conditions> and for electronic format documents, subject to Terms and Conditions for Electronic Documents at <http://www.sgs.com.tw/Terms-and-Conditions>. Attention is drawn to the limitation of liability, indemnification and jurisdiction issues defined therein. Any holder of this document is advised that information contained hereon reflects the Company's findings at the time of its intervention only and within the limits of Client's instructions, if any. The Company's sole responsibility is to its Client and this document does not exonerate parties to a transaction from exercising all their rights and obligations under the transaction documents. This document cannot be reproduced except in full, without prior written approval of the Company. Any unauthorized alteration, forgery or falsification of the content or appearance of this document is unlawful and offenders may be prosecuted to the fullest extent of the law.

Tx5 antenna

Validation Kit	S/N	Frequency (MHz)		1W Target SAR-1g (mW/g)	pin=250mW Measured SAR-1g (mW/g)	Measured SAR-1g normalized to 1W (mW/g)	Deviation (%)	Measured Date
D750V3	1015	750	Head	8.48	2.14	8.56	0.94%	Oct. 04, 2020
D835V2	4d063	835	Head	9.52	2.45	9.80	2.94%	Oct. 05, 2020
D1750V2	1008	1750	Head	36.00	8.36	33.44	-7.11%	Oct. 06, 2020
D1900V2	5d173	1900	Head	39.40	9.66	38.64	-1.93%	Oct. 07, 2020
D2300V2	1023	2300	Head	49.00	12.10	48.40	-1.22%	Oct. 08, 2020
D2600V2	1005	2600	Head	57.30	14.90	59.60	4.01%	Oct. 09, 2020

Tx8 antenna

Validation Kit	S/N	Frequency (MHz)		1W Target SAR-1g (mW/g)	pin=250mW Measured SAR-1g (mW/g)	Measured SAR-1g normalized to 1W (mW/g)	Deviation (%)	Measured Date
D1750V2	1008	1750	Head	36.00	8.41	33.64	-6.56%	Oct. 12, 2020
D1900V2	5d173	1900	Head	39.40	9.43	37.72	-4.26%	Oct. 13, 2020
D2600V2	1005	2600	Head	57.30	14.70	58.80	2.62%	Oct. 14, 2020
Validation Kit	S/N	Frequency (MHz)		1W Target SAR-1g (mW/g)	pin=100mW Measured SAR-1g (mW/g)	Measured SAR-1g normalized to 1W (mW/g)	Deviation (%)	Measured Date
D3500V2	1009	3500	Head	67.60	6.66	66.60	-1.48%	Oct. 15, 2020
D3700V2	1057	3700	Head	68.00	6.65	66.50	-2.21%	Oct. 16, 2020

Table 1. Results of system verification

Unless otherwise stated the results shown in this test report refer only to the sample(s) tested and such sample(s) are retained for 90 days only.

除非另有說明，此報告結果僅對測試之樣品負責，同時此樣品僅保留90天。本報告未經本公司書面許可，不可部份複製。

This document is issued by the Company subject to its General Conditions of Service printed overleaf, available on request or accessible at <http://www.sgs.com.tw/Terms-and-Conditions> and for electronic format documents, subject to Terms and Conditions for Electronic Documents at <http://www.sgs.com.tw/Terms-and-Conditions>. Attention is drawn to the limitation of liability, indemnification and jurisdiction issues defined therein. Any holder of this document is advised that information contained hereon reflects the Company's findings at the time of its intervention only and within the limits of Client's instructions, if any. The Company's sole responsibility is to its Client and this document does not exonerate parties to a transaction from exercising all their rights and obligations under the transaction documents. This document cannot be reproduced except in full, without prior written approval of the Company. Any unauthorized alteration, forgery or falsification of the content or appearance of this document is unlawful and offenders may be prosecuted to the fullest extent of the law.

1.11 Tissue Simulant Fluid for the Frequency Band

The dielectric properties for this Head-simulant fluid were measured by using the Agilent Model 85070E Dielectric Probe (rates frequency band 200 MHz to 20 GHz) in conjunction with Network Analyzer.

All dielectric parameters of tissue simulates were measured within 24 hours of SAR measurements. The measured conductivity and permittivity are all within $\pm 5\%$ of the target values.

The depth of the tissue simulant in the flat section of the phantom was $\geq 15\text{ cm} \pm 5\text{ mm}$ (Frequency $\leq 3\text{G}$) or $\geq 10\text{ cm} \pm 5\text{ mm}$ (Frequency $>3\text{G}$) during all tests. (Fig. 2)

Tx5 antenna

Tissue Type	Measurement Date	Measured Frequency (MHz)	Target Dielectric Constant, ϵ_r	Target Conductivity, σ (S/m)	Measured Dielectric Constant, ϵ_r	Measured Conductivity, σ (S/m)	% dev ϵ_r	% dev σ
Head	Oct. 04. 2020	704.00	42.181	0.890	42.980	0.868	1.90%	-2.45%
		706.50	42.168	0.890	42.936	0.869	1.82%	-2.36%
		707.50	42.162	0.890	42.842	0.876	1.61%	-1.58%
		708.50	42.157	0.890	42.830	0.880	1.60%	-1.14%
		709.00	42.155	0.890	42.750	0.881	1.41%	-1.03%
		710.00	42.149	0.890	42.742	0.884	1.41%	-0.70%
		711.00	42.144	0.890	42.686	0.885	1.29%	-0.60%
		750.00	41.942	0.893	42.595	0.895	1.56%	0.18%
	782.00	41.775	0.896	42.345	0.905	1.36%	1.02%	
	793.00	41.718	0.897	42.317	0.908	1.44%	1.26%	
	Oct. 05. 2020	821.50	41.570	0.899	42.238	0.911	1.61%	1.33%
		826.40	41.545	0.899	42.213	0.912	1.61%	1.45%
		829.00	41.531	0.900	42.144	0.913	1.48%	1.50%
		831.50	41.518	0.900	42.131	0.915	1.48%	1.70%
		834.00	41.505	0.900	42.083	0.920	1.39%	2.23%
		835.00	41.500	0.900	41.993	0.925	1.19%	2.78%
		836.50	41.500	0.902	41.888	0.928	0.93%	2.93%
		839.00	41.500	0.904	41.767	0.933	0.64%	3.17%
		841.50	41.500	0.907	41.684	0.936	0.44%	3.20%
		844.00	41.500	0.910	41.644	0.943	0.35%	3.66%
	846.60	41.500	0.912	41.546	0.954	0.11%	4.55%	
	Oct. 06. 2020	1712.40	40.138	1.349	41.133	1.313	2.48%	-2.69%
		1720.00	40.126	1.354	41.018	1.321	2.22%	-2.41%
		1732.40	40.107	1.361	40.899	1.338	1.98%	-1.68%
		1732.50	40.107	1.361	40.863	1.345	1.89%	-1.17%
		1745.00	40.087	1.368	40.858	1.352	1.92%	-1.18%
		1750.00	40.079	1.371	40.100	1.378	0.05%	0.51%
		1752.60	40.075	1.373	40.003	1.380	-0.18%	0.54%
	1770.00	40.047	1.383	39.808	1.390	-0.60%	0.53%	
	Oct. 07. 2020	1852.40	40.000	1.400	39.778	1.393	-0.56%	-0.50%
		1860.00	40.000	1.400	39.719	1.394	-0.70%	-0.43%
		1880.00	40.000	1.400	39.568	1.403	-1.08%	0.21%
		1882.50	40.000	1.400	39.553	1.406	-1.12%	0.43%
		1900.00	40.000	1.400	39.433	1.409	-1.42%	0.64%
		1905.00	40.000	1.400	39.195	1.428	-2.01%	2.00%
		1907.60	40.000	1.400	39.153	1.437	-2.12%	2.64%
	Oct. 08. 2020	2300.00	39.467	1.667	38.955	1.665	-1.30%	-0.12%
		2310.00	39.449	1.676	38.872	1.687	-1.46%	0.66%
	Oct. 09. 2020	2506.00	39.129	1.861	38.599	1.814	-1.35%	-2.53%
		2510.00	39.124	1.865	38.596	1.820	-1.35%	-2.44%
		2535.00	39.092	1.893	38.497	1.851	-1.52%	-2.20%
		2549.50	39.073	1.909	38.471	1.877	-1.54%	-1.65%
		2560.00	39.060	1.920	38.335	1.885	-1.86%	-1.82%
		2580.00	39.035	1.942	38.239	1.892	-2.04%	-2.57%
		2593.00	39.018	1.956	38.141	1.909	-2.25%	-2.40%
		2595.00	39.015	1.958	38.135	1.917	-2.26%	-2.10%
		2600.00	39.009	1.964	38.110	1.918	-2.30%	-2.32%
		2610.00	38.996	1.975	38.050	1.932	-2.43%	-2.15%
2636.50		38.963	2.003	38.030	1.989	-2.39%	-0.72%	
2680.00		38.907	2.051	37.999	2.060	-2.33%	0.44%	

Unless otherwise stated the results shown in this test report refer only to the sample(s) tested and such sample(s) are retained for 90 days only.

除非另有說明，此報告結果僅對測試之樣品負責，同時此樣品僅保留90天。本報告未經本公司書面許可，不可部份複製。

This document is issued by the Company subject to its General Conditions of Service printed overleaf, available on request or accessible at <http://www.sgs.com.tw/Terms-and-Conditions> and for electronic format documents, subject to Terms and Conditions for Electronic Documents at <http://www.sgs.com.tw/Terms-and-Conditions>. Attention is drawn to the limitation of liability, indemnification and jurisdiction issues defined therein. Any holder of this document is advised that information contained hereon reflects the Company's findings at the time of its intervention only and within the limits of Client's instructions, if any. The Company's sole responsibility is to its Client and this document does not exonerate parties to a transaction from exercising all their rights and obligations under the transaction documents. This document cannot be reproduced except in full, without prior written approval of the Company. Any unauthorized alteration, forgery or falsification of the content or appearance of this document is unlawful and offenders may be prosecuted to the fullest extent of the law.

Tx8 antenna

Tissue Type	Measurement Date	Measured Frequency (MHz)	Target Dielectric Constant, ϵ_r	Target Conductivity, σ (S/m)	Measured Dielectric Constant, ϵ_r	Measured Conductivity, σ (S/m)	% dev ϵ_r	% dev σ
Head	Oct, 12. 2020	1720.00	40.126	1.354	41.128	1.346	2.50%	-0.57%
		1745.00	40.087	1.368	40.893	1.379	2.01%	0.79%
		1750.00	40.079	1.371	40.220	1.402	0.35%	2.26%
	Oct, 13. 2020	1770.00	40.047	1.383	39.948	1.413	-0.25%	2.20%
		1860.00	40.000	1.400	39.719	1.416	-0.70%	1.14%
		1880.00	40.000	1.400	39.663	1.426	-0.84%	1.86%
	Oct, 14. 2020	1900.00	40.000	1.400	39.523	1.437	-1.19%	2.64%
		2510.00	39.124	1.865	38.606	1.851	-1.32%	-0.77%
		2535.00	39.092	1.893	38.587	1.875	-1.29%	-0.94%
		2546.01	39.078	1.905	38.451	1.897	-1.60%	-0.41%
		2560.00	39.060	1.920	38.366	1.903	-1.78%	-0.89%
		2592.99	39.018	1.956	38.241	1.932	-1.99%	-1.23%
	Oct, 15. 2020	2600.00	39.009	1.964	38.210	1.945	-2.05%	-0.95%
		2640.00	38.958	2.007	38.180	2.003	-2.00%	-0.21%
		3500.00	37.929	2.913	37.766	2.896	-0.43%	-0.57%
		3560.00	37.860	2.974	37.731	2.995	-0.34%	0.71%
	Oct, 16. 2020	3575.00	37.843	2.989	37.698	3.001	-0.38%	0.39%
		3590.00	37.826	3.005	37.642	3.007	-0.49%	0.07%
		3603.30	37.811	3.018	37.570	3.015	-0.64%	-0.11%
		3646.70	37.761	3.063	37.523	3.051	-0.63%	-0.39%
		3690.00	37.711	3.107	37.522	3.055	-0.50%	-1.68%
		3700.00	37.700	3.118	37.430	3.111	-0.72%	-0.21%

Table 2. Dielectric Parameters of Tissue Simulant Fluid

Unless otherwise stated the results shown in this test report refer only to the sample(s) tested and such sample(s) are retained for 90 days only.

除非另有說明，此報告結果僅對測試之樣品負責，同時此樣品僅保留90天。本報告未經本公司書面許可，不可部份複製。

This document is issued by the Company subject to its General Conditions of Service printed overleaf, available on request or accessible at <http://www.sgs.com.tw/Terms-and-Conditions> and for electronic format documents, subject to Terms and Conditions for Electronic Documents at <http://www.sgs.com.tw/Terms-and-Conditions>. Attention is drawn to the limitation of liability, indemnification and jurisdiction issues defined therein. Any holder of this document is advised that information contained hereon reflects the Company's findings at the time of its intervention only and within the limits of Client's instructions, if any. The Company's sole responsibility is to its Client and this document does not exonerate parties to a transaction from exercising all their rights and obligations under the transaction documents. This document cannot be reproduced except in full, without prior written approval of the Company. Any unauthorized alteration, forgery or falsification of the content or appearance of this document is unlawful and offenders may be prosecuted to the fullest extent of the law.

The composition of the head tissue simulating liquid:

Frequency (MHz)	Mode	Ingredient						Total amount
		DGMBE	Water	Salt	Preventol D-7	Cellulose	Sugar	
750	Head	—	532.98 g	18.3 g	2.4 g	3.2 g	766 g	1.3L(Kg)
850	Head	—	532.98 g	18.3 g	2.4 g	3.2 g	766 g	1.3L(Kg)
1750	Head	444.52 g	552.42 g	3.06 g	—	—	—	1.0L(Kg)
1900	Head	444.52 g	552.42 g	3.06 g	—	—	—	1.0L(Kg)
2300	Head	550ml	450ml	—	—	—	—	1.0L(Kg)
2600	Head	550ml	450ml	—	—	—	—	1.0L(Kg)
3500	Head	550ml	450ml	—	—	—	—	1.0L(Kg)
3700	Head	550ml	450ml	—	—	—	—	1.0L(Kg)

Table 3. Recipes for Tissue Simulating Liquid

Unless otherwise stated the results shown in this test report refer only to the sample(s) tested and such sample(s) are retained for 90 days only.

除非另有說明，此報告結果僅對測試之樣品負責，同時此樣品僅保留90天。本報告未經本公司書面許可，不可部份複製。

This document is issued by the Company subject to its General Conditions of Service printed overleaf, available on request or accessible at <http://www.sgs.com.tw/Terms-and-Conditions> and for electronic format documents, subject to Terms and Conditions for Electronic Documents at <http://www.sgs.com.tw/Terms-and-Conditions>. Attention is drawn to the limitation of liability, indemnification and jurisdiction issues defined therein. Any holder of this document is advised that information contained hereon reflects the Company's findings at the time of its intervention only and within the limits of Client's instructions, if any. The Company's sole responsibility is to its Client and this document does not exonerate parties to a transaction from exercising all their rights and obligations under the transaction documents. This document cannot be reproduced except in full, without prior written approval of the Company. Any unauthorized alteration, forgery or falsification of the content or appearance of this document is unlawful and offenders may be prosecuted to the fullest extent of the law.

1.12 Evaluation Procedures

The entire evaluation of the spatial peak values is performed within the Post-processing engine (SEMCAD). The system always gives the maximum values for the 1 g and 10 g cubes. The algorithm to find the cube with highest averaged SAR is divided into the following stages:

1. The extraction of the measured data (grid and values) from the Zoom Scan.
2. The calculation of the SAR value at every measurement point based on all stored data (A/D values and measurement parameters)
3. The generation of a high-resolution mesh within the measured volume
4. The interpolation of all measured values from the measurement grid to the high-resolution grid
5. The extrapolation of the entire 3-D field distribution to the phantom surface over the distance from sensor to surface
6. The calculation of the averaged SAR within masses of 1g and 10g.

The probe is calibrated at the center of the dipole sensors that is located 1 to 2.7mm away from the probe tip. During measurements, the probe stops shortly above the phantom surface, depending on the probe and the surface detecting system. Both distances are included as parameters in the probe configuration file. The software always knows exactly how far away the measured point is from the surface. As the probe cannot directly measure at the surface, the values between the deepest measured point and the surface must be extrapolated. The angle between the probe axis and the surface normal line is less than 30 degree.

In the Area Scan, the gradient of the interpolation function is evaluated to find all the extreme of the SAR distribution. The uncertainty on the locations of the extreme is less than 1/20 of the grid size. Only local maximum within -2 dB of the global maximum are searched and passed for the Cube Scan measurement. In the Cube Scan, the interpolation function is used to extrapolate the Peak SAR from the lowest measurement points to the inner phantom surface (the extrapolation distance). The uncertainty increases with the extrapolation distance. To keep the uncertainty within 1% for the 1 g and 10 g cubes, the extrapolation distance should not be larger than 5mm.

The maximum search is automatically performed after each area scan measurement. It is based on splines in two or three dimensions. The procedure can find the maximum for most SAR distributions even with relatively large grid spacing. After the area scanning measurement, the probe is automatically moved to a position at the interpolated maximum. The following scan can directly use this position for reference, e.g., for a finer resolution grid or the cube evaluations. The 1g and 10g peak evaluations are only available for the predefined cube 7x7x7 scans. The routines are verified and optimized for the grid dimensions used in these cube measurements.

The measured volume of 30x30x30mm contains about 30g of tissue.

The first procedure is an extrapolation (incl. Boundary correction) to get the points

Unless otherwise stated the results shown in this test report refer only to the sample(s) tested and such sample(s) are retained for 90 days only.

除非另有說明，此報告結果僅對測試之樣品負責，同時此樣品僅保留90天。本報告未經本公司書面許可，不可部份複製。

This document is issued by the Company subject to its General Conditions of Service printed overleaf, available on request or accessible at <http://www.sgs.com.tw/Terms-and-Conditions> and for electronic format documents, subject to Terms and Conditions for Electronic Documents at <http://www.sgs.com.tw/Terms-and-Conditions>. Attention is drawn to the limitation of liability, indemnification and jurisdiction issues defined therein. Any holder of this document is advised that information contained hereon reflects the Company's findings at the time of its intervention only and within the limits of Client's instructions, if any. The Company's sole responsibility is to its Client and this document does not exonerate parties to a transaction from exercising all their rights and obligations under the transaction documents. This document cannot be reproduced except in full, without prior written approval of the Company. Any unauthorized alteration, forgery or falsification of the content or appearance of this document is unlawful and offenders may be prosecuted to the fullest extent of the law.

between the lowest measured plane and the surface. The next step uses 3D interpolation to get all points within the measured volume. In the last step, a 1g cube is placed numerically into the volume and its averaged SAR is calculated. This cube is moved around until the highest averaged SAR is found. If the highest SAR is found at the edge of the measured volume, the system will issue a warning: higher SAR values might be found outside of the measured volume. In that case the cube measurement can be repeated, using the new interpolated maximum as the center.

1.13 Probe Calibration Procedures

For the calibration of E-field probes in lossy liquids, an electric field with an accurately known field strength must be produced within the measured liquid. For standardization purposes it would be desirable if all measurements which are necessary to assess the correct field strength would be traceable to standardized measurement procedures. In the following two different calibration techniques are summarized:

1.13.1 Transfer Calibration with Temperature Probes

In lossy liquids the specific absorption rate (SAR) is related both to the electric field (E) and the temperature gradient ($\delta T / \delta t$) in the liquid.

$$SAR = \frac{\sigma}{\rho} |E|^2 = c \frac{\delta T}{\delta t}$$

whereby σ is the conductivity, ρ the density and c the heat capacity of the liquid.

Hence, the electric field in lossy liquid can be measured indirectly by measuring the temperature gradient in the liquid. Non-disturbing temperature probes (optical probes or thermistor probes with resistive lines) with high spatial resolution (<1-2 mm) and fast reaction time (<1 s) are available and can be easily calibrated with high precision [1]. The setup and the exciting source have no influence on the calibration; only the relative positioning uncertainties of the standard temperature probe and the E-field probe to be calibrated must be considered. However, several problems limit the available accuracy of probe calibrations with temperature probes:

Unless otherwise stated the results shown in this test report refer only to the sample(s) tested and such sample(s) are retained for 90 days only.

除非另有說明，此報告結果僅對測試之樣品負責，同時此樣品僅保留90天。本報告未經本公司書面許可，不可部份複製。

This document is issued by the Company subject to its General Conditions of Service printed overleaf, available on request or accessible at <http://www.sgs.com.tw/Terms-and-Conditions> and for electronic format documents, subject to Terms and Conditions for Electronic Documents at <http://www.sgs.com.tw/Terms-and-Conditions>. Attention is drawn to the limitation of liability, indemnification and jurisdiction issues defined therein. Any holder of this document is advised that information contained hereon reflects the Company's findings at the time of its intervention only and within the limits of Client's instructions, if any. The Company's sole responsibility is to its Client and this document does not exonerate parties to a transaction from exercising all their rights and obligations under the transaction documents. This document cannot be reproduced except in full, without prior written approval of the Company. Any unauthorized alteration, forgery or falsification of the content or appearance of this document is unlawful and offenders may be prosecuted to the fullest extent of the law.

1. The temperature gradient is not directly measurable but must be evaluated from temperature measurements at different time steps. Special precaution is necessary to avoid measurement errors caused by temperature gradients due to energy equalizing effects or convection currents in the liquid. Such effects cannot be completely avoided, as the measured field itself destroys the thermal equilibrium in the liquid. With a careful setup these errors can be kept small.
2. The measured volume around the temperature probe is not well defined. It is difficult to calculate the energy transfer from a surrounding gradient temperature field into the probe. These effects must be considered, since temperature probes are calibrated in liquid with homogeneous temperatures. There is no traceable standard for temperature rise measurements.
3. The calibration depends on the assessment of the specific density, the heat capacity and the conductivity of the medium. While the specific density and heat capacity can be measured accurately with standardized procedures ($\sim 2\%$ for c ; much better for ρ), there is no standard for the measurement of the conductivity. Depending on the method and liquid, the error can well exceed $\pm 5\%$.
4. Temperature rise measurements are not very sensitive and therefore are often performed at a higher power level than the E-field measurements. The nonlinearities in the system (e.g., power measurements, different components, etc.) must be considered.

Considering these problems, the possible accuracy of the calibration of E-field probes with temperature gradient measurements in a carefully designed setup is about $\pm 10\%$ (RSS) [2]. Recently, a setup which is a combination of the waveguide techniques and the thermal measurements was presented in [3]. The estimated uncertainty of the setup is $\pm 5\%$ (RSS) when the same liquid is used for the calibration and for actual measurements and $\pm 7-9\%$ (RSS) when not, which is in good agreement with the estimates given in [2].

1.13.2 Calibration with Analytical Fields

In this method a technical setup is used in which the field can be calculated analytically from measurements of other physical magnitudes (e.g., input power). This corresponds to the standard field method for probe calibration in air; however, there is no standard defined for fields in lossy liquids.

When using calculated fields in lossy liquids for probe calibration, several points must be considered in the assessment of the uncertainty:

1. The setup must enable accurate determination of the incident power.
2. The accuracy of the calculated field strength will depend on the assessment of the dielectric parameters of the liquid.

Unless otherwise stated the results shown in this test report refer only to the sample(s) tested and such sample(s) are retained for 90 days only.

除非另有說明，此報告結果僅對測試之樣品負責，同時此樣品僅保留90天。本報告未經本公司書面許可，不可部份複製。

This document is issued by the Company subject to its General Conditions of Service printed overleaf, available on request or accessible at <http://www.sgs.com.tw/Terms-and-Conditions> and for electronic format documents, subject to Terms and Conditions for Electronic Documents at <http://www.sgs.com.tw/Terms-and-Conditions>. Attention is drawn to the limitation of liability, indemnification and jurisdiction issues defined therein. Any holder of this document is advised that information contained hereon reflects the Company's findings at the time of its intervention only and within the limits of Client's instructions, if any. The Company's sole responsibility is to its Client and this document does not exonerate parties to a transaction from exercising all their rights and obligations under the transaction documents. This document cannot be reproduced except in full, without prior written approval of the Company. Any unauthorized alteration, forgery or falsification of the content or appearance of this document is unlawful and offenders may be prosecuted to the fullest extent of the law.

3. Due to the small wavelength in liquids with high permittivity, even small setups might be above the resonant cutoff frequencies. The field distribution in the setup must be carefully checked for conformity with the theoretical field distribution.

References

1. N. Kuster, Q. Balzano, and J.C. Lin, Eds., *Mobile Communications Safety*, Chapman & Hall, London, 1997.
2. K. Meier, M. Burkhardt, T. Schmid, and N. Kuster, "Broadband calibration of E-field probes in lossy media", *IEEE Transactions on Microwave Theory and Techniques*, vol. 44, no. 10, pp. 1954-1962, Oct. 1996.
3. K. Jokela, P. Hyysalo, and L. Puranen, "Calibration of specific absorption rate (SAR) probes in waveguide at 900 MHz", *IEEE Transactions on Instrumentation and Measurements*, vol. 47, no. 2, pp. 432-438, Apr. 1998.

Unless otherwise stated the results shown in this test report refer only to the sample(s) tested and such sample(s) are retained for 90 days only.
除非另有說明，此報告結果僅對測試之樣品負責，同時此樣品僅保留90天。本報告未經本公司書面許可，不可部份複製。

This document is issued by the Company subject to its General Conditions of Service printed overleaf, available on request or accessible at <http://www.sgs.com.tw/Terms-and-Conditions> and for electronic format documents, subject to Terms and Conditions for Electronic Documents at <http://www.sgs.com.tw/Terms-and-Conditions>. Attention is drawn to the limitation of liability, indemnification and jurisdiction issues defined therein. Any holder of this document is advised that information contained hereon reflects the Company's findings at the time of its intervention only and within the limits of Client's instructions, if any. The Company's sole responsibility is to its Client and this document does not exonerate parties to a transaction from exercising all their rights and obligations under the transaction documents. This document cannot be reproduced except in full, without prior written approval of the Company. Any unauthorized alteration, forgery or falsification of the content or appearance of this document is unlawful and offenders may be prosecuted to the fullest extent of the law.

1.14 Test Standards and Limits

According to FCC 47CFR §2.1093(d) The limits to be used for evaluation are based generally on criteria published by the American National Standards Institute (ANSI) for localized specific absorption rate (“SAR”) in Section 4.2 of “IEEE Standard for Safety Levels with Respect to Human Exposure to Radio Frequency Electromagnetic Fields, 3 kHz to 300 GHz,” ANSI/IEEE C95.1, By the Institute of Electrical and Electronics Engineers, Inc., New York, New York 10017. These criteria for SAR evaluation are similar to those recommended by the National Council on Radiation Protection and Measurements (NCRP) in “Biological Effects and Exposure Criteria for Radio frequency Electromagnetic Fields,” NCRP Report No. 86, Section 17.4.5. Copyright NCRP, 1986, Bethesda, Maryland 20814. SAR is a measure of the rate of energy absorption due to exposure to an RF transmitting source. SAR values have been related to threshold levels for potential biological hazards. The criteria to be used are specified in paragraphs (d)(1) and (d)(2) of this section and shall apply for portable devices transmitting in the frequency range from 100 kHz to 6 GHz. Portable devices that transmit at frequencies above 6 GHz are to be evaluated in terms of the MPE limits specified in § 1.1310 of this chapter. Measurements and calculations to demonstrate compliance with MPE field strength or power density limits for devices operating above 6 GHz should be made at a minimum distance of 5 cm from the radiating source.

1. Limits for Occupational/Controlled exposure: 0.4 W/kg as averaged over the whole-body and spatial peak SAR not exceeding 8 W/kg as averaged over any 1 gram of tissue (defined as a tissue volume in the shape of a cube). Exceptions are the hands, wrists, feet and ankles where the spatial peak SAR shall not exceed 20 W/kg, as averaged over an 10 grams of tissue (defined as a tissue volume in the shape of a cube).
2. Occupational/Controlled limits apply when persons are exposed as a consequence of their employment provided these persons are fully aware of and exercise control over their exposure. Awareness of exposure can be accomplished by use of warning labels or by specific training or education through appropriate means, such as an RF safety program in a work environment.
3. Limits for General Population/Uncontrolled exposure: 0.08 W/kg as averaged over the whole-body and spatial peak SAR not exceeding 1.6 W/kg as averaged over any 1 gram of tissue (defined as a tissue volume in the shape of a cube). Exceptions are the hands, wrists, feet and ankles where the spatial peak SAR shall not exceed 4 W/kg, as averaged over any 10 grams of

Unless otherwise stated the results shown in this test report refer only to the sample(s) tested and such sample(s) are retained for 90 days only.

除非另有說明，此報告結果僅對測試之樣品負責，同時此樣品僅保留90天。本報告未經本公司書面許可，不可部份複製。

This document is issued by the Company subject to its General Conditions of Service printed overleaf, available on request or accessible at <http://www.sgs.com.tw/Terms-and-Conditions> and for electronic format documents, subject to Terms and Conditions for Electronic Documents at <http://www.sgs.com.tw/Terms-and-Conditions>. Attention is drawn to the limitation of liability, indemnification and jurisdiction issues defined therein. Any holder of this document is advised that information contained hereon reflects the Company's findings at the time of its intervention only and within the limits of Client's instructions, if any. The Company's sole responsibility is to its Client and this document does not exonerate parties to a transaction from exercising all their rights and obligations under the transaction documents. This document cannot be reproduced except in full, without prior written approval of the Company. Any unauthorized alteration, forgery or falsification of the content or appearance of this document is unlawful and offenders may be prosecuted to the fullest extent of the law.

tissue (defined as a tissue volume in the shape of a cube). General Population/Uncontrolled limits apply when the general public may be exposed, or when persons that are exposed as a consequence of their employment may not be fully aware of the potential for exposure or do not exercise control over their exposure. Warning labels placed on consumer devices such as cellular telephones will not be sufficient reason to allow these devices to be evaluated subject to limits for occupational/controlled exposure in paragraph (d)(1) of this section. (Table 4.)

Human Exposure	Uncontrolled Environment General Population	Controlled Environment Occupational
Spatial Peak SAR (Brain)	1.60 W/Kg	8.00 W/Kg
Spatial Average SAR (Whole Body)	0.08 W/Kg	0.40 W/Kg
Spatial Peak SAR (Hands/Feet/Ankle/Wrist)	4.00 W/Kg	20.00 W/Kg

Table 4. RF exposure limits

Notes:

1. Uncontrolled environments are defined as locations where there is potential exposure of individuals who have no knowledge or control of their potential exposure.
2. Controlled environments are defined as locations where there is potential exposure of individuals who have knowledge of their potential exposure and can exercise control over their exposure.

Unless otherwise stated the results shown in this test report refer only to the sample(s) tested and such sample(s) are retained for 90 days only.
除非另有說明，此報告結果僅對測試之樣品負責，同時此樣品僅保留90天。本報告未經本公司書面許可，不可部份複製。

This document is issued by the Company subject to its General Conditions of Service printed overleaf, available on request or accessible at <http://www.sgs.com.tw/Terms-and-Conditions> and for electronic format documents, subject to Terms and Conditions for Electronic Documents at <http://www.sgs.com.tw/Terms-and-Conditions>. Attention is drawn to the limitation of liability, indemnification and jurisdiction issues defined therein. Any holder of this document is advised that information contained hereon reflects the Company's findings at the time of its intervention only and within the limits of Client's instructions, if any. The Company's sole responsibility is to its Client and this document does not exonerate parties to a transaction from exercising all their rights and obligations under the transaction documents. This document cannot be reproduced except in full, without prior written approval of the Company. Any unauthorized alteration, forgery or falsification of the content or appearance of this document is unlawful and offenders may be prosecuted to the fullest extent of the law.

2. Summary of Results

2.1 Decision rules

Reported measurement data comply with IEEE 1528-2013:

Determining compliance shall be based on the results of the compliance measurement, not taking into account measurement instrumentation uncertainty.

2.2 Summary of Results

Tablet mode

Tx5-WCDMA Band II / Band IV / Band V

Mode	Position	Distance (mm)	CH	Freq. (MHz)	Max. Rated Avg. Power + Max. Tolerance (dBm)	Measured Avg. Power (dBm)	Scaling	Averaged SAR over 1g (W/kg)		Plot page
								Measured	Reported	
WCDMA Band II	Top side	0	9400	1880	15.2	15.16	100.93%	0.138	0.139	-
	Back side	0	9662	1852.4	15.2	15.11	102.09%	1.080	1.103	-
	Back side	0	9400	1880	15.2	15.16	100.93%	1.130	1.140	190
	Back side*	0	9400	1880	15.2	15.16	100.93%	1.121	1.131	-
	Back side	0	9538	1907.6	15.2	15.09	102.57%	1.010	1.036	-
WCDMA Band IV	Left side	0	9400	1880	15.2	15.16	100.93%	0.470	0.474	-
	Top side	0	1312	1712.4	16.2	16.15	101.16%	0.101	0.102	-
	Back side	0	1312	1712.4	16.2	16.15	101.16%	1.090	1.103	191
	Back side*	0	1312	1712.4	16.2	16.15	101.16%	1.060	1.072	-
	Back side	0	1412	1732.4	16.2	16.11	102.09%	1.010	1.031	-
	Back side	0	1513	1752.6	16.2	16.08	102.80%	0.989	1.017	-
WCDMA Band V	Left side	0	1312	1712.4	16.2	16.15	101.16%	0.616	0.623	-
	Top side	0	4132	826.4	21.3	21.24	101.39%	0.112	0.114	-
	Back side	0	4132	826.4	21.3	21.24	101.39%	1.100	1.115	192
	Back side*	0	4132	826.4	21.3	21.24	101.39%	1.070	1.085	-
	Back side	0	4183	836.6	21.3	21.21	102.09%	1.040	1.062	-
	Back side	0	4233	846.6	21.3	21.18	102.80%	1.020	1.049	-
	Left side	0	4132	826.4	21.3	21.24	101.39%	0.942	0.955	-
Left side	0	4183	836.6	21.3	21.21	102.09%	0.925	0.944	-	
Left side	0	4233	846.6	21.3	21.18	102.80%	0.912	0.938	-	

* - repeated at the highest SAR measurement according to the KDB 865664 D01

Unless otherwise stated the results shown in this test report refer only to the sample(s) tested and such sample(s) are retained for 90 days only.

除非另有說明，此報告結果僅對測試之樣品負責，同時此樣品僅保留90天。本報告未經本公司書面許可，不可部份複製。

This document is issued by the Company subject to its General Conditions of Service printed overleaf, available on request or accessible at <http://www.sgs.com.tw/Terms-and-Conditions> and for electronic format documents, subject to Terms and Conditions for Electronic Documents at <http://www.sgs.com.tw/Terms-and-Conditions>. Attention is drawn to the limitation of liability, indemnification and jurisdiction issues defined therein. Any holder of this document is advised that information contained hereon reflects the Company's findings at the time of its intervention only and within the limits of Client's instructions, if any. The Company's sole responsibility is to its Client and this document does not exonerate parties to a transaction from exercising all their rights and obligations under the transaction documents. This document cannot be reproduced except in full, without prior written approval of the Company. Any unauthorized alteration, forgery or falsification of the content or appearance of this document is unlawful and offenders may be prosecuted to the fullest extent of the law.

Tx5-LTE FDD Band 2 / Band 4 / Band 5

Mode	Bandwidth (MHz)	Modulation	RB Size	RB start	Position	Distance (mm)	CH	Freq. (MHz)	Max. Rated Avg. Power + Max. Tolerance (dBm)	Measured Avg. Power (dBm)	Scaling	Averaged SAR over 1g (W/kg)		Plot page
												Measured	Reported	
LTE Band 2	20MHz	QPSK	1 RB	0	Top side	0	18900	1880	16.3	16.28	100.46%	0.149	0.150	-
					Back side	0	18900	1880	16.3	16.28	100.46%	1.140	1.145	193
					Back side*	0	18900	1880	16.3	16.28	100.46%	1.010	1.015	-
					Left side	0	18900	1880	16.3	16.28	100.46%	0.589	0.592	-
					Back side	0	18700	1860	16.3	16.13	103.99%	1.030	1.071	-
					Back side	0	19100	1900	16.3	16.07	105.44%	0.964	1.016	-
			50 RB	50	Top side	0	18900	1880	16.3	16.24	101.39%	0.137	0.139	-
					Back side	0	18700	1860	16.3	16.05	105.93%	0.946	1.002	-
					Back side	0	18900	1880	16.3	16.24	101.39%	0.997	1.011	-
					Back side	0	19100	1900	16.3	16.10	104.71%	0.963	1.008	-
					Left side	0	18900	1880	16.3	16.24	101.39%	0.562	0.570	-
					Back side	0	18700	1860	16.3	16.02	106.66%	0.133	0.142	-
			100 RB		Top side	0	18700	1860	16.3	16.02	106.66%	0.978	1.043	-
					Back side	0	18900	1880	16.3	15.98	107.65%	0.963	1.037	-
					Back side	0	19100	1900	16.3	16.03	106.41%	0.948	1.009	-
					Left side	0	18700	1860	16.3	16.02	106.66%	0.541	0.577	-
					Top side	0	20300	1745	16.8	16.77	100.69%	0.131	0.132	-
					Back side	0	20050	1720	16.8	16.76	100.93%	1.080	1.090	-
LTE Band 4	20MHz	QPSK	1 RB	0	Back side	0	20175	1732.5	16.8	16.72	101.86%	1.040	1.059	-
					Back side	0	20300	1745	16.8	16.77	100.69%	1.120	1.128	194
					Back side*	0	20300	1745	16.8	16.77	100.69%	1.000	1.007	-
					Left side	0	20300	1745	16.8	16.77	100.69%	0.653	0.658	-
					Back side	0	20050	1720	16.8	16.64	103.75%	0.915	0.949	-
					Top side	0	20175	1732.5	16.8	16.69	102.57%	0.124	0.127	-
			50 RB	49	Back side	0	20175	1732.5	16.8	16.69	102.57%	0.921	0.945	-
					Back side	0	20300	1745	16.8	16.63	103.99%	0.897	0.933	-
					Left side	0	20175	1732.5	16.8	16.69	102.57%	0.633	0.649	-
					Top side	0	20050	1720	16.8	16.67	103.04%	0.112	0.115	-
					Back side	0	20050	1720	16.8	16.67	103.04%	0.911	0.939	-
					Back side	0	20175	1732.5	16.8	16.57	105.44%	0.886	0.934	-
			100 RB		Back side	0	20300	1745	16.8	16.63	103.99%	0.856	0.890	-
					Left side	0	20050	1720	16.8	16.67	103.04%	0.621	0.640	-
					Top side	0	20450	829	21.7	21.65	101.16%	0.135	0.137	-
					Back side	0	20450	829	21.7	21.65	101.16%	1.080	1.093	195
					Back side*	0	20450	829	21.7	21.65	101.16%	0.976	0.987	-
					Back side	0	20525	836.5	21.7	21.62	101.86%	1.061	1.081	-
LTE Band 5	10MHz	QPSK	1 RB	0	Back side	0	20600	844	21.7	21.59	102.57%	1.032	1.058	-
					Left side	0	20450	829	21.7	21.65	101.16%	0.912	0.923	-
					Left side	0	20525	836.5	21.7	21.62	101.86%	0.876	0.892	-
					Left side	0	20600	844	21.7	21.59	102.57%	0.863	0.885	-
					Top side	0	20600	844	21.7	21.58	102.80%	0.129	0.133	-
					Back side	0	20450	829	21.7	21.49	104.95%	0.864	0.907	-
			25 RB	12	Back side	0	20525	836.5	21.7	21.56	103.28%	0.887	0.916	-
					Back side	0	20600	844	21.7	21.58	102.80%	1.010	1.038	-
					Left side	0	20450	829	21.7	21.49	104.95%	0.857	0.899	-
					Left side	0	20525	836.5	21.7	21.56	103.28%	0.863	0.891	-
					Left side	0	20600	844	21.7	21.58	102.80%	0.876	0.901	-
					Top side	0	20600	844	21.7	21.57	103.04%	0.121	0.125	-
			50 RB		Back side	0	20450	829	21.7	21.41	106.91%	0.976	1.043	-
					Back side	0	20525	836.5	21.7	21.49	104.95%	0.994	1.043	-
					Back side	0	20600	844	21.7	21.57	103.04%	1.020	1.051	-
					Left side	0	20450	829	21.7	21.41	106.91%	0.779	0.833	-
					Left side	0	20525	836.5	21.7	21.49	104.95%	0.791	0.830	-
					Left side	0	20600	844	21.7	21.57	103.04%	0.811	0.836	-
CA_5B	10MHz	QPSK	1RB	0	Back side	0	20450	829	21.7	21.61	102.09%	0.976	0.996	-

* - repeated at the highest SAR measurement according to the KDB 865664 D01

Unless otherwise stated the results shown in this test report refer only to the sample(s) tested and such sample(s) are retained for 90 days only.

除非另有說明，此報告結果僅對測試之樣品負責，同時此樣品僅保留90天。本報告未經本公司書面許可，不可部份複製。

This document is issued by the Company subject to its General Conditions of Service printed overleaf, available on request or accessible at <http://www.sgs.com.tw/Terms-and-Conditions> and for electronic format documents, subject to Terms and Conditions for Electronic Documents at <http://www.sgs.com.tw/Terms-and-Conditions>. Attention is drawn to the limitation of liability, indemnification and jurisdiction issues defined therein. Any holder of this document is advised that information contained hereon reflects the Company's findings at the time of its intervention only and within the limits of Client's instructions, if any. The Company's sole responsibility is to its Client and this document does not exonerate parties to a transaction from exercising all their rights and obligations under the transaction documents. This document cannot be reproduced except in full, without prior written approval of the Company. Any unauthorized alteration, forgery or falsification of the content or appearance of this document is unlawful and offenders may be prosecuted to the fullest extent of the law.

Tx5-LTE FDD Band 7 / Band 12 / Band 13

Mode	Bandwidth (MHz)	Modulation	RB Size	RB start	Position	Distance (mm)	CH	Freq. (MHz)	Max. Rated Avg. Power + Max. Tolerance (dBm)	Measured Avg. Power (dBm)	Scaling	Averaged SAR over 1g (W/kg)		Plot page		
												Measured	Reported			
LTE Band 7	20MHz	QPSK	1 RB	0	Top side	0	21100	2535	14.5	14.48	100.46%	0.069	0.069	-		
					Back side	0	20850	2510	14.5	14.44	101.39%	1.040	1.054	-		
					Back side	0	21100	2535	14.5	14.48	100.46%	1.100	1.105	196		
					Back side*	0	21100	2535	14.5	14.48	100.46%	0.989	0.994	-		
					Back side	0	21350	2560	14.5	14.40	102.33%	1.010	1.034	-		
			50 RB	49	Left side	0	21100	2535	14.5	14.48	100.46%	0.319	0.320	-		
					Top side	0	20850	2510	14.5	14.36	103.28%	0.062	0.064	-		
					Back side	0	20850	2510	14.5	14.36	103.28%	0.965	0.997	-		
					Back side	0	21100	2535	14.5	14.29	104.95%	0.948	0.995	-		
					Back side	0	21350	2560	14.5	14.30	104.71%	0.942	0.986	-		
					Left side	0	20850	2510	14.5	14.36	103.28%	0.298	0.308	-		
					100 RB	-	Top side	0	21350	2560	14.5	14.35	103.51%	0.059	0.061	-
							Back side	0	20850	2510	14.5	14.28	105.20%	0.913	0.960	-
							Back side	0	21100	2535	14.5	14.21	106.91%	0.922	0.986	-
							Back side	0	21350	2560	14.5	14.35	103.51%	0.941	0.974	-
Left side	0	21350	2560	14.5			14.35	103.51%	0.283	0.293	-					
CA_7C	20MHz	QPSK	1RB	0	Back side	0	20850	2510	14.5	14.41	102.09%	1.010	1.031	-		
LTE Band 12	10MHz	QPSK	1 RB	0	Top side	0	23095	707.5	20.2	20.18	100.46%	0.115	0.116	-		
					Back side	0	23060	704	20.2	20.16	100.93%	1.100	1.110	-		
					Back side	0	23095	707.5	20.2	20.18	100.46%	1.120	1.125	197		
					Back side*	0	23095	707.5	20.2	20.18	100.46%	1.070	1.075	-		
					Back side	0	23130	711	20.2	20.14	101.39%	1.080	1.095	-		
					Left side	0	23060	704	20.2	20.16	100.93%	0.886	0.894	-		
					Left side	0	23095	707.5	20.2	20.18	100.46%	0.978	0.983	-		
					Left side	0	23130	711	20.2	20.14	101.39%	0.943	0.956	-		
					Top side	0	23060	704	20.2	20.13	101.62%	0.106	0.108	-		
					Back side	0	23060	704	20.2	20.13	101.62%	1.040	1.057	-		
			25 RB	12	Back side	0	23095	707.5	20.2	20.06	103.28%	0.989	1.021	-		
					Back side	0	23130	711	20.2	20.11	102.09%	0.975	0.995	-		
					Left side	0	23060	704	20.2	20.13	101.62%	0.942	0.957	-		
					Left side	0	23095	707.5	20.2	20.06	103.28%	0.918	0.948	-		
					Left side	0	23130	711	20.2	20.11	102.09%	0.903	0.922	-		
					50 RB	-	Top side	0	23095	707.5	20.2	20.14	101.39%	0.101	0.102	-
							Back side	0	23060	704	20.2	20.03	103.99%	0.976	1.015	-
							Back side	0	23095	707.5	20.2	20.14	101.39%	1.020	1.034	-
							Back side	0	23130	711	20.2	19.98	105.20%	0.978	1.029	-
							Left side	0	23060	704	20.2	20.03	103.99%	0.882	0.917	-
			1 RB	0	Left side	0	23095	707.5	20.2	20.14	101.39%	0.914	0.927	-		
					Left side	0	23130	711	20.2	19.98	105.20%	0.875	0.920	-		
					Top side	0	23230	782	21.4	21.36	100.93%	0.125	0.126	-		
					Back side	0	23230	782	21.4	21.36	100.93%	1.190	1.201	198		
					Back side*	0	23230	782	21.4	21.36	100.93%	1.070	1.080	-		
25	-	Left side		0	23230	782	21.4	21.36	100.93%	0.899	0.907	-				
		Back side		0	23230	782	21.4	21.28	102.80%	1.120	1.151	-				
		Left side		0	23230	782	21.4	21.28	102.80%	0.874	0.898	-				
		Back side		0	23230	782	21.4	21.24	103.75%	1.030	1.069	-				
		Left side		0	23230	782	21.4	21.24	103.75%	0.858	0.890	-				
25 RB	12	Left side	0	23230	782	21.4	21.16	105.68%	0.771	0.815	-					
		Left side	0	23230	782	21.4	21.17	105.44%	0.763	0.804	-					
		Top side	0	23230	782	21.4	21.22	104.23%	0.120	0.125	-					
		Back side	0	23230	782	21.4	21.22	104.23%	0.987	1.029	-					
		Left side	0	23230	782	21.4	21.22	104.23%	0.788	0.821	-					
50 RB	-	Top side	0	23230	782	21.4	21.15	105.93%	0.117	0.124	-					
		Back side	0	23230	782	21.4	21.15	105.93%	0.897	0.950	-					
		Left side	0	23230	782	21.4	21.15	105.93%	0.767	0.812	-					

* - repeated at the highest SAR measurement according to the KDB 865664 D01

Unless otherwise stated the results shown in this test report refer only to the sample(s) tested and such sample(s) are retained for 90 days only.
 除非另有說明，此報告結果僅對測試之樣品負責，同時此樣品僅保留90天。本報告未經本公司書面許可，不可部份複製。
 This document is issued by the Company subject to its General Conditions of Service printed overleaf, available on request or accessible at <http://www.sgs.com.tw/Terms-and-Conditions> and for electronic format documents, subject to Terms and Conditions for Electronic Documents at <http://www.sgs.com.tw/Terms-and-Conditions>. Attention is drawn to the limitation of liability, indemnification and jurisdiction issues defined therein. Any holder of this document is advised that information contained hereon reflects the Company's findings at the time of its intervention only and within the limits of Client's instructions, if any. The Company's sole responsibility is to its Client and this document does not exonerate parties to a transaction from exercising all their rights and obligations under the transaction documents. This document cannot be reproduced except in full, without prior written approval of the Company. Any unauthorized alteration, forgery or falsification of the content or appearance of this document is unlawful and offenders may be prosecuted to the fullest extent of the law.

Tx5-LTE FDD Band 14 / Band 17 / Band 25 / Band 26

Mode	Bandwidth (MHz)	Modulation	RB Size	RB start	Position	Distance (mm)	CH	Freq. (MHz)	Max. Rated Avg. Power + Max. Tolerance (dBm)	Measured Avg. Power (dBm)	Scaling	Averaged SAR over 1g (W/kg)		Plot page					
												Measured	Reported						
LTE Band 14	10MHz	QPSK	1 RB	0	Top side	0	23330	793	21.8	21.68	102.80%	0.117	0.120	-					
					Back side	0	23330	793	21.8	21.68	102.80%	1.160	1.192	199					
					Back side*	0	23330	793	21.8	21.68	102.80%	1.146	1.178	-					
					Left side	0	23330	793	21.8	21.68	102.80%	1.030	1.059	-					
					Left side	0	23330	793	21.8	21.52	106.66%	1.060	1.131	-					
					Left side	0	23330	793	21.8	21.52	106.66%	0.986	1.052	-					
				25	Back side	0	23330	793	21.8	21.55	105.93%	1.090	1.155	-					
					Left side	0	23330	793	21.8	21.55	105.93%	0.974	1.032	-					
					25 RB	0	Top side	0	23330	793	21.8	21.62	104.23%	0.113	0.118	-			
							Back side	0	23330	793	21.8	21.62	104.23%	1.020	1.063	-			
						12	Left side	0	23330	793	21.8	21.62	104.23%	1.010	1.053	-			
							Back side	0	23330	793	21.8	21.61	104.47%	0.995	1.039	-			
			25	Left side	0	23330	793	21.8	21.61	104.47%	0.993	1.037	-						
				Back side	0	23330	793	21.8	21.57	105.44%	0.986	1.040	-						
			50 RB	0	Left side	0	23330	793	21.8	21.57	105.44%	0.974	1.027	-					
					Top side	0	23330	793	21.8	21.64	103.75%	0.103	0.107	-					
					Back side	0	23330	793	21.8	21.64	103.75%	1.000	1.038	-					
					Left side	0	23330	793	21.8	21.64	103.75%	0.992	1.029	-					
					Top side	0	23790	710	21.0	20.90	102.33%	0.118	0.121	-					
					Back side	0	23780	709	21.0	20.89	102.57%	1.170	1.200	-					
			LTE Band 17	10MHz	QPSK	1 RB	0	Top side	0	23790	710	21.0	20.90	102.33%	0.118	0.121	-		
								Back side	0	23780	709	21.0	20.89	102.57%	1.170	1.200	-		
								Back side	0	23790	710	21.0	20.90	102.33%	1.190	1.218	200		
								Back side*	0	23790	710	21.0	20.90	102.33%	1.146	1.173	-		
Back side	0	23800						711	21.0	20.87	103.04%	1.120	1.154	-					
Left side	0	23780						709	21.0	20.89	102.57%	0.919	0.943	-					
25 RB	12	Left side					0	23790	710	21.0	20.90	102.33%	0.931	0.953	-				
		Left side					0	23800	711	21.0	20.87	103.04%	0.922	0.950	-				
	25	Top side					0	23780	709	21.0	20.85	103.51%	0.109	0.113	-				
		Back side					0	23780	709	21.0	20.85	103.51%	1.100	1.139	-				
		Left side					0	23780	709	21.0	20.85	103.51%	0.901	0.933	-				
		Back side					0	23790	710	21.0	20.72	106.66%	0.979	1.044	-				
50 RB	25	Back side				0	23800	711	21.0	20.78	105.20%	0.995	1.047	-					
		Left side				0	23790	710	21.0	20.72	106.66%	0.867	0.925	-					
	0	Left side				0	23800	711	21.0	20.78	105.20%	0.843	0.887	-					
		Top side				0	23790	710	21.0	20.82	104.23%	0.102	0.106	-					
		Back side				0	23780	709	21.0	20.73	106.41%	0.984	1.047	-					
		Back side				0	23790	710	21.0	20.82	104.23%	1.020	1.063	-					
LTE Band 25	20MHz	QPSK				1 RB	0	Top side	0	26140	1860	16.1	15.95	103.51%	0.082	0.085	-		
								Back side	0	26140	1860	16.1	15.95	103.51%	1.030	1.066	201		
								Back side*	0	26140	1860	16.1	15.95	103.51%	0.992	1.027	-		
								Back side	0	26365	1882.5	16.1	15.92	104.23%	1.020	1.063	-		
								Back side	0	26590	1905	16.1	15.90	104.71%	1.000	1.047	-		
								Left side	0	26140	1860	16.1	15.95	103.51%	0.291	0.301	-		
			50 RB	0	Top side		0	26365	1882.5	16.1	15.88	105.20%	0.079	0.083	-				
					Back side		0	26365	1882.5	16.1	15.88	105.20%	0.978	1.029	-				
				100 RB	0		Left side	0	26365	1882.5	16.1	15.88	105.20%	0.280	0.295	-			
							Top side	0	26365	1882.5	16.1	15.87	105.44%	0.069	0.073	-			
					0		Back side	0	26365	1882.5	16.1	15.87	105.44%	0.962	1.014	-			
							Left side	0	26365	1882.5	16.1	15.87	105.44%	0.273	0.288	-			
			LTE Band 26	15MHz	QPSK	1 RB	0	Top side	0	26765	821.5	22.0	21.90	102.33%	1.120	1.146	-		
								Back side	0	26765	821.5	22.0	21.90	102.33%	1.200	1.228	202		
								Back side*	0	26765	821.5	22.0	21.90	102.33%	1.130	1.156	-		
								Back side	0	26865	831.5	22.0	21.87	103.04%	1.170	1.206	-		
								Back side	0	26965	841.5	22.0	21.85	103.51%	1.120	1.159	-		
								Left side	0	26765	821.5	22.0	21.90	102.33%	1.120	1.146	-		
							36 RB	18	Top side	0	26765	821.5	21.0	20.78	105.20%	0.092	0.097	-	
									Back side	0	26765	821.5	21.0	20.78	105.20%	0.823	0.866	-	
								75 RB	0	Left side	0	26765	821.5	21.0	20.78	105.20%	0.847	0.891	-
										Top side	0	26965	841.5	21.0	20.84	103.75%	0.089	0.093	-
									0	Back side	0	26965	841.5	21.0	20.84	103.75%	0.814	0.845	-
										Left side	0	26965	841.5	21.0	20.84	103.75%	0.783	0.812	-

* - repeated at the highest SAR measurement according to the KDB 865664 D01

Unless otherwise stated the results shown in this test report refer only to the sample(s) tested and such sample(s) are retained for 90 days only.

除非另有說明，此報告結果僅對測試之樣品負責，同時此樣品僅保留90天。本報告未經本公司書面許可，不可部份複製。

This document is issued by the Company subject to its General Conditions of Service printed overleaf, available on request or accessible at <http://www.sgs.com.tw/Terms-and-Conditions> and for electronic format documents, subject to Terms and Conditions for Electronic Documents at <http://www.sgs.com.tw/Terms-and-Conditions>. Attention is drawn to the limitation of liability, indemnification and jurisdiction issues defined therein. Any holder of this document is advised that information contained hereon reflects the Company's findings at the time of its intervention only and within the limits of Client's instructions, if any. The Company's sole responsibility is to its Client and this document does not exonerate parties to a transaction from exercising all their rights and obligations under the transaction documents. This document cannot be reproduced except in full, without prior written approval of the Company. Any unauthorized alteration, forgery or falsification of the content or appearance of this document is unlawful and offenders may be prosecuted to the fullest extent of the law.

Tx5-LTE FDD Band 30 / TDD Band 38 / Band 41

Mode	Bandwidth (MHz)	Modulation	RB Size	RB start	Position	Distance (mm)	CH	Freq. (MHz)	Max. Rated Avg. Power + Max. Tolerance (dBm)	Measured Avg. Power (dBm)	Scaling	Averaged SAR over 1g (W/kg)		Plot page
												Measured	Reported	
LTE Band 30	10MHz	QPSK	1 RB	0	Top side	0	27710	2310	16.5	16.28	105.20%	0.099	0.104	-
					Back side	0	27710	2310	16.5	16.28	105.20%	1.140	1.199	203
					Back side*	0	27710	2310	16.5	16.28	105.20%	1.020	1.073	-
					Left side	0	27710	2310	16.5	16.28	105.20%	0.433	0.455	-
					25 Back side	0	27710	2310	16.5	16.19	107.40%	1.090	1.171	-
					49 Back side	0	27710	2310	16.5	16.12	109.14%	1.050	1.146	-
			25 RB	12	0 Back side	0	27710	2310	16.5	16.15	108.39%	0.905	0.981	-
					Top side	0	27710	2310	16.5	16.19	107.40%	0.093	0.100	-
					Back side	0	27710	2310	16.5	16.19	107.40%	0.921	0.989	-
					Left side	0	27710	2310	16.5	16.19	107.40%	0.421	0.452	-
					25 Back side	0	27710	2310	16.5	16.11	109.40%	0.883	0.966	-
					50 RB	Top side	0	27710	2310	16.5	16.24	106.17%	0.087	0.093
			50 RB	25	Back side	0	27710	2310	16.5	16.24	106.17%	0.918	0.975	-
					Left side	0	27710	2310	16.5	16.24	106.17%	0.411	0.436	-
					Top side	0	38000	2595	16.7	16.60	102.33%	0.027	0.028	-
					Back side	0	37850	2580	16.7	16.58	102.80%	1.110	1.141	-
					Back side	0	38000	2595	16.7	16.60	102.33%	1.150	1.177	204
					Back side*	0	38000	2595	16.7	16.60	102.33%	1.050	1.074	-
LTE Band 38	20MHz	QPSK	1 RB	0	Back side	0	38150	2610	16.7	16.55	103.51%	1.080	1.118	-
					Left side	0	38000	2595	16.7	16.60	102.33%	0.481	0.492	-
					0 Back side	0	37850	2580	16.7	16.52	104.23%	0.968	1.009	-
					25 Back side	0	38000	2595	16.7	16.47	105.44%	0.984	1.038	-
					Top side	0	38150	2610	16.7	16.54	103.75%	0.024	0.025	-
					Back side	0	38150	2610	16.7	16.54	103.75%	1.030	1.069	-
			50 RB	49	Left side	0	38150	2610	16.7	16.54	103.75%	0.432	0.448	-
					Top side	0	38000	2595	16.7	16.51	104.47%	0.022	0.022	-
					Back side	0	37850	2580	16.7	16.35	108.39%	0.969	1.050	-
					Back side	0	38000	2595	16.7	16.51	104.47%	1.010	1.055	-
					Back side	0	38150	2610	16.7	16.47	105.44%	0.983	1.036	-
					Left side	0	38000	2595	16.7	16.51	104.47%	0.420	0.439	-
			100 RB	25	Back side	0	37850	2580	16.7	16.54	103.75%	1.090	1.131	-
					Top side	0	40620	2593	17.3	17.21	102.09%	0.022	0.023	-
					Back side	0	39750	2506	17.3	17.11	104.47%	1.020	1.066	-
					Back side	0	40185	2549.5	17.3	17.16	103.28%	1.060	1.095	-
					Back side	0	40620	2593	17.3	17.21	102.09%	1.130	1.154	205
					Back side*	0	40620	2593	17.3	17.21	102.09%	1.010	1.031	-
LTE Band 41	20MHz	QPSK	1 RB	0	Back side	0	41055	2636.5	17.3	17.20	102.33%	1.110	1.136	-
					Back side	0	41490	2680	17.3	17.19	102.57%	1.090	1.118	-
					Left side	0	40620	2593	17.3	17.21	102.09%	0.418	0.427	-
					Back side	0	39750	2506	17.3	17.06	105.68%	0.938	0.991	-
					Back side	0	41055	2636.5	17.3	17.07	105.44%	0.929	0.980	-
					Back side	0	41490	2680	17.3	16.95	108.39%	0.942	1.021	-
			50 RB	25	Top side	0	40620	2593	17.3	17.09	104.95%	0.021	0.022	-
					Back side	0	40185	2549.5	17.3	16.95	108.39%	0.905	0.981	-
					Back side	0	40620	2593	17.3	17.09	104.95%	0.978	1.026	-
					Left side	0	40620	2593	17.3	17.09	104.95%	0.401	0.421	-
					Top side	0	40620	2593	17.3	17.05	105.93%	0.020	0.021	-
					Back side	0	39750	2506	17.3	16.98	107.65%	0.937	1.009	-
			100 RB	49	Back side	0	40185	2549.5	17.3	16.90	109.65%	0.917	1.005	-
					Back side	0	40620	2593	17.3	17.05	105.93%	0.962	1.019	-
					Back side	0	41055	2636.5	17.3	16.97	107.89%	0.934	1.008	-
					Back side	0	41490	2680	17.3	16.98	107.65%	0.925	0.996	-
					Left side	0	40620	2593	17.3	17.05	105.93%	0.393	0.416	-
					CA_38C	20MHz	QPSK	1RB	0	Back side	0	41490	2680	17.3
LTE Band 41 (HPUE)	20MHz	QPSK	1 RB	0	Top side	0	41055	2636.5	19.4	19.30	102.33%	0.025	0.025	-
					Back side	0	39750	2506	19.4	19.23	103.99%	1.060	1.102	-
					Back side	0	40185	2549.5	19.4	19.24	103.75%	1.100	1.141	-
					Back side	0	40620	2593	19.4	19.29	102.57%	1.120	1.149	-
					Back side	0	41055	2636.5	19.4	19.30	102.33%	1.170	1.197	206
					Back side*	0	41055	2636.5	19.4	19.30	102.33%	1.020	1.044	-
			50 RB	49	Back side	0	41490	2680	19.4	19.28	102.80%	1.140	1.172	-
					Left side	0	41055	2636.5	19.4	19.30	102.33%	0.453	0.464	-
					0 Back side	0	41490	2680	19.4	19.13	106.41%	0.948	1.009	-
					25 Back side	0	40620	2593	19.4	19.19	104.95%	0.932	0.978	-
					Top side	0	41055	2636.5	19.4	19.22	104.23%	0.024	0.024	-
					Back side	0	39750	2506	19.4	19.15	105.93%	0.956	1.013	-
			100 RB	49	Back side	0	40185	2549.5	19.4	19.14	106.17%	0.946	1.004	-
					Back side	0	41055	2636.5	19.4	19.22	104.23%	0.989	1.031	-
					Left side	0	41055	2636.5	19.4	19.22	104.23%	0.434	0.452	-
					Top side	0	41055	2636.5	19.4	19.19	104.95%	0.022	0.023	-
					Back side	0	39750	2506	19.4	19.16	105.68%	0.882	0.932	-
					Back side	0	40185	2549.5	19.4	19.05	108.39%	0.856	0.928	-
100 RB	49	Back side	0	40620	2593	19.4	19.04	108.64%	0.847	0.920	-			
		Back side	0	41055	2636.5	19.4	19.19	104.95%	0.893	0.937	-			
		Back side	0	41490	2680	19.4	19.07	107.89%	0.845	0.912	-			
		Left side	0	41055	2636.5	19.4	19.19	104.95%	0.412	0.433	-			

* - repeated at the highest SAR measurement according to the KDB 865664 D01

Unless otherwise stated the results shown in this test report refer only to the sample(s) tested and such sample(s) are retained for 90 days only.

除非另有說明，此報告結果僅對測試之樣品負責，同時此樣品僅保留90天。本報告未經本公司書面許可，不可部份複製。

This document is issued by the Company subject to its General Conditions of Service printed overleaf, available on request or accessible at <http://www.sgs.com.tw/Terms-and-Conditions> and for electronic format documents, subject to Terms and Conditions for Electronic Documents at <http://www.sgs.com.tw/Terms-and-Conditions>. Attention is drawn to the limitation of liability, indemnification and jurisdiction issues defined therein. Any holder of this document is advised that information contained hereon reflects the Company's findings at the time of its intervention only and within the limits of Client's instructions, if any. The Company's sole responsibility is to its Client and this document does not exonerate parties to a transaction from exercising all their rights and obligations under the transaction documents. This document cannot be reproduced except in full, without prior written approval of the Company. Any unauthorized alteration, forgery or falsification of the content or appearance of this document is unlawful and offenders may be prosecuted to the fullest extent of the law.

Tx5-LTE FDD Band 66

Mode	Bandwidth (MHz)	Modulation	RB Size	RB start	Position	Distance (mm)	CH	Freq. (MHz)	Max. Rated Avg. Power + Max. Tolerance (dBm)	Measured Avg. Power (dBm)	Scaling	Averaged SAR over 1g (W/kg)		Plot page
												Measured	Reported	
LTE Band 66	20MHz	QPSK	1 RB	0	Top side	0	132072	1720	16.7	16.54	103.75%	0.119	0.123	-
					Back side	0	132072	1720	16.7	16.54	103.75%	1.130	1.172	207
					Back side*	0	132072	1720	16.7	16.54	103.75%	1.090	1.131	-
					Back side	0	132322	1745	16.7	16.44	106.17%	1.100	1.168	-
					Back side	0	132572	1770	16.7	16.41	106.91%	1.080	1.155	-
			50 RB	0	Left side	0	132072	1720	16.7	16.54	103.75%	0.520	0.540	-
					Top side	0	132322	1745	16.7	16.38	107.65%	0.110	0.118	-
					Back side	0	132072	1720	16.7	16.37	107.89%	0.964	1.040	-
					Back side	0	132322	1745	16.7	16.38	107.65%	1.040	1.120	-
					Back side	0	132572	1770	16.7	16.38	107.65%	0.483	0.520	-
			100 RB	0	Back side	0	132572	1770	16.7	16.36	108.14%	0.965	1.044	-
					Top side	0	132322	1745	16.7	16.39	107.40%	0.092	0.099	-
					Back side	0	132072	1720	16.7	16.35	108.39%	0.978	1.060	-
					Back side	0	132322	1745	16.7	16.39	107.40%	1.020	1.095	-
					Back side	0	132572	1770	16.7	16.36	108.14%	0.958	1.036	-
CA_66B	10MHz	QPSK	1RB	25	Back side	0	132022	1715	16.7	16.35	108.39%	1.000	1.084	-
CA_66C	20MHz	QPSK	1RB	0	Back side	0	132072	1720	16.7	16.51	104.47%	1.020	1.066	-

* - repeated at the highest SAR measurement according to the KDB 865664 D01

Unless otherwise stated the results shown in this test report refer only to the sample(s) tested and such sample(s) are retained for 90 days only.

除非另有說明，此報告結果僅對測試之樣品負責，同時此樣品僅保留90天。本報告未經本公司書面許可，不可部份複製。

This document is issued by the Company subject to its General Conditions of Service printed overleaf, available on request or accessible at <http://www.sgs.com.tw/Terms-and-Conditions> and for electronic format documents, subject to Terms and Conditions for Electronic Documents at <http://www.sgs.com.tw/Terms-and-Conditions>. Attention is drawn to the limitation of liability, indemnification and jurisdiction issues defined therein. Any holder of this document is advised that information contained hereon reflects the Company's findings at the time of its intervention only and within the limits of Client's instructions, if any. The Company's sole responsibility is to its Client and this document does not exonerate parties to a transaction from exercising all their rights and obligations under the transaction documents. This document cannot be reproduced except in full, without prior written approval of the Company. Any unauthorized alteration, forgery or falsification of the content or appearance of this document is unlawful and offenders may be prosecuted to the fullest extent of the law.

Tx5-5G NR n2 / n5 / n12 / n66

Mode	Bandwidth (MHz)	Modulation	RB Size	RB start	Position	Distance (mm)	CH	Freq. (MHz)	Max. Rated Avg. Power + Max. Tolerance (dBm)	Measured Avg. Power (dBm)	Scaling	Averaged SAR over 1g (W/kg)		Plot page			
												Measured	Reported				
NR n2	20MHz	Pi/2 BPSK	1 RB	1	Top side	0	372000	1860	12.3	12.23	101.62%	0.059	0.060	-			
					Back side	0	372000	1860	12.3	12.23	101.62%	1.150	1.169	208			
					Back side*	0	372000	1860	12.3	12.23	101.62%	1.100	1.118	-			
					Back side	0	376000	1880	12.3	12.20	102.33%	1.132	1.158	-			
					Back side	0	380000	1900	12.3	12.18	102.80%	1.110	1.141	-			
					Left side	0	372000	1860	12.3	12.23	101.62%	0.325	0.330	-			
			50 RB	0	Top side	0	372000	1860	12.3	12.17	103.04%	0.051	0.053	-			
					Back side	0	372000	1860	12.3	12.17	103.04%	0.992	1.022	-			
					Left side	0	372000	1860	12.3	12.17	103.04%	0.318	0.328	-			
					28	Back side	0	376000	1880	12.3	12.09	104.95%	0.966	1.014	-		
					56	Back side	0	380000	1900	12.3	12.07	105.44%	0.957	1.009	-		
					100 RB	0	Top side	0	376000	1880	12.3	12.13	103.99%	0.050	0.052	-	
			Back side	0			372000	1860	12.0	12.07	98.40%	0.959	0.944	-			
			Back side	0			376000	1880	12.3	12.13	103.99%	0.980	1.019	-			
			Back side	0			380000	1900	12.3	12.10	104.71%	0.971	1.017	-			
			Left side	0			376000	1880	12.3	12.13	103.99%	0.305	0.317	-			
			Back side	0			372000	1860	12.3	12.13	103.99%	0.050	0.052	-			
			NR n5	20MHz	Pi/2 BPSK	1 RB	1	Top side	0	166800	834	19.9	19.76	103.28%	0.088	0.091	-
								Back side	0	166800	834	19.9	19.76	103.28%	1.030	1.064	209
								Back side*	0	166800	834	19.9	19.76	103.28%	0.998	1.031	-
								Back side	0	167300	836.5	19.9	19.62	106.66%	0.931	0.993	-
								Back side	0	167800	839	19.9	19.71	104.47%	1.010	1.055	-
								Left side	0	166800	834	19.9	19.76	103.28%	0.750	0.775	-
						50 RB	0	Top side	0	166800	834	19.9	19.59	107.40%	0.078	0.084	-
Back side	0	166800						834	19.9	19.59	107.40%	0.853	0.916	-			
Left side	0	166800						834	19.9	19.59	107.40%	0.715	0.768	-			
56	Back side	0						167300	836.5	19.9	19.58	107.65%	0.825	0.888	-		
Back side	0	167800						839	19.9	19.43	111.43%	0.818	0.911	-			
100 RB	0	Top side						0	167800	839	19.9	19.11	119.95%	0.068	0.081	-	
		Back side				0	166800	834	19.9	19.10	120.23%	0.657	0.790	-			
		Back side				0	167300	836.5	19.9	18.93	125.03%	0.626	0.783	-			
		Back side				0	167800	839	19.9	19.11	119.95%	0.683	0.819	-			
		Left side				0	167800	839	19.9	19.11	119.95%	0.622	0.746	-			
		Back side				0	167000	839	19.9	19.11	119.95%	0.063	0.063	-			
NR n12	15MHz	Pi/2 BPSK				1 RB	1	Top side	0	141700	708.5	17.7	17.67	100.69%	0.623	0.063	-
								Back side	0	141300	706.5	17.7	17.65	101.16%	1.140	1.153	-
								Back side	0	141500	707.5	17.7	17.58	102.80%	1.120	1.151	-
								Back side	0	141700	708.5	17.7	17.67	100.69%	1.190	1.198	210
								Back side*	0	141700	708.5	17.7	17.67	100.69%	1.120	1.128	-
								Left side	0	141300	706.5	17.7	17.65	101.16%	1.080	1.093	-
						36 RB	43	Left side	0	141500	707.5	17.7	17.58	102.80%	1.120	1.151	-
			Left side	0	141700			708.5	17.7	17.67	100.69%	1.160	1.168	-			
			Back side	0	141700			708.5	17.7	17.47	105.44%	0.985	1.039	-			
			Left side	0	141700			708.5	17.7	17.47	105.44%	0.907	0.956	-			
			Top side	0	141300			706.5	17.7	17.55	103.51%	0.057	0.059	-			
			Back side	0	141300			706.5	17.7	17.55	103.51%	1.031	1.067	-			
			75 RB	43	Back side	0	141500	707.5	17.7	17.52	104.23%	0.992	1.034	-			
					Left side	0	141300	706.5	17.7	17.55	103.51%	0.948	0.981	-			
					Left side	0	141500	707.5	17.7	17.52	104.23%	0.935	0.975	-			
					Top side	0	141500	707.5	17.7	17.51	104.47%	0.051	0.053	-			
					Back side	0	141300	706.5	17.7	17.41	106.91%	0.958	1.024	-			
					Back side	0	141500	707.5	17.7	17.51	104.47%	0.988	1.032	-			
			75 RB	43	Back side	0	141700	708.5	17.7	17.39	107.40%	0.957	1.028	-			
					Left side	0	141300	706.5	17.7	17.41	106.91%	0.896	0.958	-			
					Left side	0	141500	707.5	17.7	17.51	104.47%	0.934	0.976	-			
					Left side	0	141700	708.5	17.7	17.39	107.40%	0.897	0.963	-			
					Top side	0	344000	1720	13.7	13.66	100.93%	0.057	0.058	-			
					Back side	0	344000	1720	13.7	13.66	100.93%	1.180	1.191	211			
NR n66	20MHz	Pi/2 BPSK	1 RB	1	Back side	0	344000	1720	13.7	13.66	100.93%	1.160	1.171	-			
					Back side	0	349000	1745	13.7	13.60	102.33%	1.150	1.177	-			
					Back side	0	354000	1770	13.7	13.55	103.51%	1.120	1.159	-			
					Left side	0	344000	1720	13.7	13.66	100.93%	0.302	0.305	-			
					Back side	0	354000	1770	13.7	13.44	106.17%	0.984	1.045	-			
					50 RB	56	Top side	0	344000	1720	13.7	13.52	104.23%	0.055	0.057	-	
			Back side	0			344000	1720	13.7	13.52	104.23%	1.090	1.136	-			
			Back side	0			349000	1745	13.6	13.49	102.57%	0.996	1.022	-			
			Left side	0			344000	1720	13.7	13.52	104.23%	0.285	0.297	-			
			Top side	0			349000	1745	13.7	13.48	105.20%	0.053	0.055	-			
			100 RB	56			Back side	0	344000	1720	13.7	13.38	107.65%	0.986	1.061	-	
					Back side	0	349000	1745	13.7	13.48	105.20%	1.040	1.094	-			
					Back side	0	354000	1770	13.7	13.36	108.14%	0.972	1.051	-			
					Left side	0	349000	1745	13.7	13.48	105.20%	0.278	0.292	-			

* - repeated at the highest SAR measurement according to the KDB 865664 D01

Unless otherwise stated the results shown in this test report refer only to the sample(s) tested and such sample(s) are retained for 90 days only.

除非另有說明，此報告結果僅對測試之樣品負責，同時此樣品僅保留90天。本報告未經本公司書面許可，不可部份複製。

This document is issued by the Company subject to its General Conditions of Service printed overleaf, available on request or accessible at <http://www.sgs.com.tw/Terms-and-Conditions> and for electronic format documents, subject to Terms and Conditions for Electronic Documents at <http://www.sgs.com.tw/Terms-and-Conditions>. Attention is drawn to the limitation of liability, indemnification and jurisdiction issues defined therein. Any holder of this document is advised that information contained hereon reflects the Company's findings at the time of its intervention only and within the limits of Client's instructions, if any. The Company's sole responsibility is to its Client and this document does not exonerate parties to a transaction from exercising all their rights and obligations under the transaction documents. This document cannot be reproduced except in full, without prior written approval of the Company. Any unauthorized alteration, forgery or falsification of the content or appearance of this document is unlawful and offenders may be prosecuted to the fullest extent of the law.

Notebook mode
Tx5-WCDMA Band II / Band IV / Band V

Mode	Position	Distance (mm)	CH	Freq. (MHz)	Max. Rated Avg. Power + Max. Tolerance (dBm)	Measured Avg. Power (dBm)	Scaling	Averaged SAR over 1g (W/kg)		Plot page
								Measured	Reported	
WCDMA Band II	Bottom side	0	9662	1852.4	18.4	18.40	100.00%	1.150	1.150	212
	Bottom side*	0	9662	1852.4	18.4	18.40	100.00%	1.060	1.060	-
	Bottom side	0	9400	1880	18.4	18.32	101.86%	1.080	1.100	-
	Bottom side	0	9538	1907.6	18.4	18.25	103.51%	1.030	1.066	-
WCDMA Band IV	Bottom side	0	1312	1712.4	19.4	19.36	100.93%	1.020	1.029	-
	Bottom side	0	1412	1732.4	19.4	19.37	100.69%	1.090	1.098	-
	Bottom side	0	1513	1752.6	19.4	19.39	100.23%	1.140	1.143	213
	Bottom side*	0	1513	1752.6	19.4	19.39	100.23%	1.100	1.103	-
WCDMA Band V	Bottom side	0	4132	826.4	23.9	23.75	103.51%	0.986	1.021	-
	Bottom side	0	4183	836.6	23.9	23.77	103.04%	0.994	1.024	-
	Bottom side	0	4233	846.6	23.9	23.82	101.86%	1.050	1.070	214
	Bottom side*	0	4233	846.6	23.9	23.82	101.86%	1.100	1.120	-

* - repeated at the highest SAR measurement according to the KDB 865664 D01

Unless otherwise stated the results shown in this test report refer only to the sample(s) tested and such sample(s) are retained for 90 days only.

除非另有說明，此報告結果僅對測試之樣品負責，同時此樣品僅保留90天。本報告未經本公司書面許可，不可部份複製。

This document is issued by the Company subject to its General Conditions of Service printed overleaf, available on request or accessible at <http://www.sgs.com.tw/Terms-and-Conditions> and for electronic format documents, subject to Terms and Conditions for Electronic Documents at <http://www.sgs.com.tw/Terms-and-Conditions>. Attention is drawn to the limitation of liability, indemnification and jurisdiction issues defined therein. Any holder of this document is advised that information contained hereon reflects the Company's findings at the time of its intervention only and within the limits of Client's instructions, if any. The Company's sole responsibility is to its Client and this document does not exonerate parties to a transaction from exercising all their rights and obligations under the transaction documents. This document cannot be reproduced except in full, without prior written approval of the Company. Any unauthorized alteration, forgery or falsification of the content or appearance of this document is unlawful and offenders may be prosecuted to the fullest extent of the law.

Tx5-LTE FDD Band 2 / Band 4 / Band 5 / Band 7 / Band 12 / Band 13 / Band 14

Mode	Bandwidth (MHz)	Modulation	RB Size	RB start	Position	Distance (mm)	CH	Freq. (MHz)	Max. Rated Avg. Power + Max. Tolerance (dBm)	Measured Avg. Power (dBm)	Scaling	Averaged SAR over 1g (W/kg)		Plot page
												Measured	Reported	
LTE Band 2	20MHz	QPSK	1 RB	0	Bottom side	0	18700	1860	18.5	18.42	101.86%	0.987	1.005	-
					Bottom side	0	18900	1880	18.5	18.39	102.57%	0.993	1.018	-
					Bottom side	0	19100	1900	18.5	18.46	100.93%	1.100	1.110	215
					Bottom side*	0	19100	1900	18.5	18.46	100.93%	1.030	1.040	-
			50 RB	25	Bottom side	0	18700	1860	18.5	18.35	103.51%	0.985	1.020	-
					Bottom side	0	19100	1900	18.5	18.37	103.04%	1.030	1.061	-
					Bottom side	0	18900	1880	18.5	18.29	104.95%	0.962	1.010	-
					Bottom side	0	18700	1860	18.5	18.25	105.93%	0.956	1.013	-
			100 RB	49	Bottom side	0	18900	1880	18.5	18.19	107.40%	0.948	1.018	-
					Bottom side	0	18900	1880	18.5	18.19	107.40%	0.948	1.018	-
					Bottom side	0	19100	1900	18.5	18.26	105.68%	0.970	1.025	-
					Bottom side	0	19100	1900	18.5	18.26	105.68%	0.970	1.025	-
LTE Band 4	20MHz	QPSK	1 RB	0	Bottom side	0	20050	1720	18.2	18.12	101.86%	0.989	1.007	-
					Bottom side	0	20175	1732.5	18.2	18.18	100.46%	1.040	1.045	216
					Bottom side*	0	20175	1732.5	18.2	18.18	100.46%	1.010	1.015	-
					Bottom side	0	20300	1745	18.2	18.15	101.16%	0.993	1.004	-
			50 RB	0	Bottom side	0	20050	1720	18.2	18.06	103.28%	0.946	0.977	-
					Bottom side	0	20175	1732.5	18.2	18.11	102.09%	0.960	0.980	-
					Bottom side	0	20300	1745	18.2	18.02	104.23%	0.932	0.971	-
					Bottom side	0	20050	1720	18.2	17.97	105.44%	0.895	0.944	-
			100 RB	0	Bottom side	0	20175	1732.5	18.2	18.00	104.71%	0.907	0.950	-
					Bottom side	0	20300	1745	18.2	18.09	102.57%	0.930	0.954	-
					Bottom side	0	20450	1745	18.2	18.14	108.64%	1.240	1.347	-
					Bottom side	0	20525	826.5	24.5	24.17	107.89%	1.260	1.359	7
LTE Band 5	10MHz	QPSK	1 RB	0	Bottom side*	0	20525	826.5	24.5	24.17	107.89%	1.120	1.208	-
					Bottom side	0	20600	844	24.5	24.10	109.65%	1.210	1.327	-
					Bottom side	0	20525	826.5	23.5	23.12	109.14%	1.130	1.233	-
					Bottom side	0	20600	844	23.5	23.04	111.17%	1.080	1.201	-
			25 RB	0	Bottom side	0	20450	829	23.5	22.99	112.46%	1.030	1.158	-
					Bottom side	0	20450	829	23.5	22.99	112.46%	1.020	1.147	-
					Bottom side	0	20525	826.5	23.5	23.13	108.89%	0.820	0.893	-
					Bottom side	0	20600	844	23.5	23.08	110.15%	0.813	0.896	-
			50 RB	25	Bottom side	0	20450	829	23.5	22.99	112.46%	1.030	1.158	-
					Bottom side	0	20450	829	23.5	22.99	112.46%	1.020	1.147	-
					Bottom side	0	20525	826.5	23.5	23.13	108.89%	0.820	0.893	-
					Bottom side	0	20600	844	23.5	23.08	110.15%	0.813	0.896	-
CA_5B	10MHz	QPSK	1RB	0	Bottom side	0	20450	829	24.5	24.11	109.40%	1.120	1.225	-
LTE Band 7	20MHz	QPSK	1 RB	0	Bottom side	0	20850	2510	18.6	18.56	100.93%	1.220	1.231	218
					Bottom side*	0	20850	2510	18.6	18.56	100.93%	1.140	1.151	-
					Bottom side	0	21100	2535	18.6	18.47	103.04%	1.160	1.195	-
					Bottom side	0	21350	2560	18.6	18.50	102.33%	1.120	1.146	-
			50 RB	0	Bottom side	0	21100	2535	18.6	18.43	103.99%	1.040	1.082	-
					Bottom side	0	21350	2560	18.6	18.39	104.95%	1.090	1.144	-
					Bottom side	0	20850	2510	18.6	18.44	103.75%	1.150	1.193	-
					Bottom side	0	20850	2510	18.6	18.31	106.91%	1.070	1.144	-
			100 RB	49	Bottom side	0	21100	2535	18.6	18.27	107.89%	0.993	1.071	-
					Bottom side	0	21350	2560	18.6	18.30	107.15%	0.986	1.057	-
					Bottom side	0	20850	2510	18.6	18.51	102.09%	1.140	1.164	-
					Bottom side	0	23060	704	23.4	23.37	100.69%	1.080	1.087	219
LTE Band 12	10MHz	QPSK	1 RB	0	Bottom side*	0	23060	704	23.4	23.37	100.69%	1.000	1.007	-
					Bottom side	0	23095	707.5	23.4	23.33	101.62%	1.030	1.047	-
					Bottom side	0	23130	711	23.4	23.35	101.16%	0.995	1.007	-
					Bottom side	0	23060	704	22.4	22.26	103.28%	0.957	0.988	-
			25 RB	12	Bottom side	0	23095	707.5	22.4	22.31	102.09%	0.970	0.990	-
					Bottom side	0	23130	711	22.4	22.24	103.75%	0.948	0.984	-
					Bottom side	0	23060	704	22.4	22.26	103.28%	0.930	0.960	-
					Bottom side	0	23095	707.5	22.4	22.17	105.44%	0.902	0.951	-
			50 RB	25	Bottom side	0	23130	711	22.4	22.23	103.99%	0.878	0.913	-
					Bottom side	0	23230	782	23.6	23.57	100.69%	1.170	1.178	220
					Bottom side*	0	23230	782	23.6	23.57	100.69%	1.020	1.027	-
					Bottom side	0	23230	782	23.6	23.51	102.09%	1.120	1.143	-
LTE Band 13	10MHz	QPSK	1 RB	0	Bottom side	0	23230	782	22.6	22.30	107.15%	0.982	1.052	-
					Bottom side	0	23230	782	22.6	22.33	106.41%	0.991	1.055	-
					Bottom side	0	23230	782	22.6	22.42	104.23%	1.070	1.115	-
					Bottom side	0	23230	782	22.6	22.38	105.20%	0.950	0.999	-
			25 RB	12	Bottom side	0	23330	793	24.1	23.92	104.23%	1.180	1.230	221
					Bottom side*	0	23330	793	24.1	23.92	104.23%	1.090	1.136	-
					Bottom side	0	23330	793	24.1	23.75	108.39%	1.120	1.214	-
					Bottom side	0	23330	793	24.1	23.71	109.40%	1.050	1.149	-
			50 RB	25	Bottom side	0	23330	793	23.1	22.82	106.66%	1.120	1.195	-
					Bottom side	0	23330	793	23.1	22.78	107.65%	0.997	1.073	-
					Bottom side	0	23330	793	23.1	22.75	108.39%	0.975	1.057	-
					Bottom side	0	23330	793	23.1	22.72	109.14%	1.020	1.113	-
LTE Band 14	10MHz	QPSK	1 RB	0	Bottom side	0	23330	793	24.1	23.92	104.23%	1.180	1.230	221
					Bottom side*	0	23330	793	24.1	23.92	104.23%	1.090	1.136	-
					Bottom side	0	23330	793	24.1	23.75	108.39%	1.120	1.214	-
					Bottom side	0	23330	793	24.1	23.71	109.40%	1.050	1.149	-
			25 RB	12	Bottom side	0	23330	793	23.1	22.82	106.66%	1.120	1.195	-
					Bottom side	0	23330	793	23.1	22.78	107.65%	0.997	1.073	-
					Bottom side	0	23330	793	23.1	22.75	108.39%	0.975	1.057	-
					Bottom side	0	23330	793	23.1	22.72	109.14%	1.020	1.113	-
			50 RB	25	Bottom side	0	23330	793	23.1	22.72	109.14%	1.020	1.113	-

* - repeated at the highest SAR measurement according to the KDB 865664 D01

Unless otherwise stated the results shown in this test report refer only to the sample(s) tested and such sample(s) are retained for 90 days only.

除非另有說明，此報告結果僅對測試之樣品負責，同時此樣品僅保留90天。本報告未經本公司書面許可，不可部份複製。

This document is issued by the Company subject to its General Conditions of Service printed overleaf, available on request or accessible at <http://www.sgs.com.tw/Terms-and-Conditions> and for electronic format documents, subject to Terms and Conditions for Electronic Documents at <http://www.sgs.com.tw/Terms-and-Conditions>. Attention is drawn to the limitation of liability, indemnification and jurisdiction issues defined therein. Any holder of this document is advised that information contained hereon reflects the Company's findings at the time of its intervention only and within the limits of Client's instructions, if any. The Company's sole responsibility is to its Client and this document does not exonerate parties to a transaction from exercising all their rights and obligations under the transaction documents. This document cannot be reproduced except in full, without prior written approval of the Company. Any unauthorized alteration, forgery or falsification of the content or appearance of this document is unlawful and offenders may be prosecuted to the fullest extent of the law.

Tx5-LTE FDD Band 17 / Band 25 / Band 26 / Band 30 / Band 38 / Band 41 / Band 66

Mode	Bandwidth (MHz)	Modulation	RB Size	RB start	Position	Distance (mm)	CH	Freq. (MHz)	Max. Rated Avg. Power + Max. Tolerance (dBm)	Measured Avg. Power (dBm)	Scaling	Averaged SAR over 1g (W/kg)		Plot page																									
												Measured	Reported																										
LTE Band 17	10MHz	QPSK	1 RB	0	Bottom side	0	23780	709	23.5	23.44	101.39%	1.160	1.176	-																									
															Bottom side	0	23790	710	23.5	23.47	100.69%	1.240	1.249	222															
															Bottom side*	0	23790	710	23.5	23.47	100.69%	1.090	1.098	-															
															Bottom side	0	23800	711	23.5	23.40	102.33%	1.130	1.156	-															
															Bottom side	0	23790	710	22.5	22.43	101.62%	1.160	1.179	-															
															Bottom side	0	23800	711	22.5	22.27	105.44%	1.080	1.139	-															
			25 RB	12	Bottom side	0	23780	709	22.5	22.39	102.57%	1.040	1.067	-	-	-																							
																	Bottom side	0	23780	709	22.5	22.28	105.20%	1.020	1.073	-													
																	Bottom side	0	23790	710	22.5	22.39	102.57%	1.080	1.108	-													
																	Bottom side	0	23800	711	22.5	22.37	103.04%	0.996	1.026	-													
																	Bottom side	0	26140	1860	18.8	18.74	101.39%	0.983	0.997	-													
																	Bottom side	0	26365	1882.5	18.8	18.70	102.33%	0.995	1.018	-													
LTE Band 25	20MHz	QPSK	1 RB	0	Bottom side	0	26590	1905	18.8	18.77	100.69%	1.070	1.077	223																									
															Bottom side*	0	26590	1905	18.8	18.77	100.69%	1.010	1.017	-															
															Bottom side	0	26365	1882.5	18.8	18.64	103.75%	0.926	0.961	-															
															Bottom side	0	26140	1860	18.8	18.59	104.95%	0.916	0.961	-															
															Bottom side	0	26590	1905	18.8	18.67	103.04%	0.940	0.969	-															
															Bottom side	0	26140	1860	18.8	18.68	102.80%	0.890	0.915	-															
			50 RB	49	Bottom side	0	26365	1882.5	18.8	18.62	104.23%	0.863	0.900	-	-	-																							
																	Bottom side	0	26590	1905	18.8	18.53	106.41%	0.847	0.901	-													
																	Bottom side	0	26765	821.5	24.3	24.19	102.57%	1.070	1.097	-													
																	Bottom side	0	26865	831.5	24.3	24.20	102.33%	1.170	1.197	-													
																	Bottom side	0	26965	841.5	24.3	24.24	101.39%	1.220	1.237	224													
																	Bottom side*	0	26965	841.5	24.3	24.24	101.39%	1.200	1.217	-													
LTE Band 26	15MHz	QPSK	1 RB	0	Bottom side	0	26765	821.5	23.3	23.11	104.47%	1.050	1.097	-																									
															Bottom side	0	26865	831.5	24.3	24.20	102.33%	1.170	1.197	-															
															Bottom side	0	26965	841.5	24.3	24.24	101.39%	1.200	1.217	-															
															Bottom side	0	26765	821.5	23.3	23.11	104.47%	1.050	1.097	-															
															Bottom side	0	26965	841.5	23.3	23.17	103.04%	1.140	1.175	-															
															Bottom side	0	26865	831.5	23.3	23.18	102.80%	1.180	1.213	-															
			36 RB	18	Bottom side	0	26765	821.5	23.3	23.12	104.23%	1.060	1.105	-	-	-																							
																	Bottom side	0	26865	831.5	23.3	23.11	104.47%	0.982	1.026	-													
																	Bottom side	0	26965	841.5	23.3	23.00	107.15%	0.976	1.046	-													
																	Bottom side	0	27710	2310	20.2	20.14	101.39%	1.230	1.247	225													
																	Bottom side*	0	27710	2310	20.2	20.14	101.39%	1.200	1.217	-													
																	Bottom side	0	27710	2310	20.2	19.90	107.15%	1.130	1.211	-													
LTE Band 30	10MHz	QPSK	1 RB	0	Bottom side	0	27710	2310	20.2	19.92	106.66%	1.070	1.141	-																									
															Bottom side	0	27710	2310	20.2	19.92	106.66%	1.070	1.141	-															
															Bottom side	0	27710	2310	20.2	19.89	107.40%	1.070	1.149	-															
															Bottom side	0	27710	2310	20.2	19.91	106.91%	1.140	1.219	-															
															Bottom side	0	27710	2310	20.2	19.87	107.89%	1.050	1.133	-															
															Bottom side	0	27710	2310	20.2	20.14	101.39%	1.020	1.034	-															
			25 RB	12	Bottom side	0	27710	2310	20.2	20.14	101.39%	1.200	1.217	-	-	-																							
																	Bottom side	0	27710	2310	20.2	20.14	101.39%	1.200	1.217	-													
																	Bottom side	0	27710	2310	20.2	19.92	106.66%	1.070	1.141	-													
																	Bottom side	0	27710	2310	20.2	19.89	107.40%	1.070	1.149	-													
																	Bottom side	0	27710	2310	20.2	19.91	106.91%	1.140	1.219	-													
																	Bottom side	0	27710	2310	20.2	19.87	107.89%	1.050	1.133	-													
LTE Band 38	20MHz	QPSK	1 RB	0	Bottom side	0	37850	2580	22.2	22.14	101.39%	1.020	1.034	226																									
															Bottom side*	0	37850	2580	22.2	22.14	101.39%	0.994	1.008	-															
															Bottom side	0	38000	2595	22.2	22.10	102.33%	0.988	1.011	-															
															Bottom side	0	38150	2610	22.2	22.09	102.57%	0.967	0.992	-															
															Bottom side	0	38150	2610	22.2	20.98	132.43%	0.883	1.169	-															
															Bottom side	0	37850	2580	22.2	21.00	131.83%	0.905	1.193	-															
			50 RB	25	Bottom side	0	38000	2595	22.2	21.03	130.92%	0.920	1.204	-	-	-																							
																	Bottom side	0	37850	2580	22.2	20.99	132.13%	0.840	1.110	-													
																	Bottom side	0	38000	2595	22.2	20.95	133.35%	0.824	1.099	-													
																	Bottom side	0	38150	2610	22.2	20.90	134.90%	0.812	1.095	-													
																	Bottom side	0	37850	2580	22.2	22.11	102.09%	0.983	1.004	-													
																	Bottom side	0	39750	2506	22.3	22.21	102.09%	1.050	1.072	-													
CA_38C	20MHz	QPSK	1RB	0	Bottom side	0	37850	2580	22.2	22.11	102.09%	0.983	1.004	-																									
															Bottom side	0	39750	2506	22.3	22.21	102.09%	1.050	1.072	-															
															Bottom side	0	40185	2549.5	22.3	22.16	103.28%	0.993	1.026	-															
															Bottom side	0	40620	2593	22.3	22.18	102.80%	1.070	1.100	-															
															Bottom side	0	41055	2636.5	22.3	22.23	101.62%	1.180	1.199	227															
															Bottom side*	0	41055	2636.5	22.3	22.23	101.62%	1.110	1.128	-															
															LTE Band 41	20MHz	QPSK	1 RB	0	Bottom side	0	41490	2680	22.3	21.06	103.75%	0.996	1.033	-										
																														Bottom side	0	40185	2549.5	22.3	21.06	133.05%	0.857	1.140	-
																														Bottom side	0	40620	2593	22.3	21.04	133.65%	0.861	1.151	-
																														Bottom side	0	41490	2680	22.3	21.12	131.22%	0.880	1.155	-
																														Bottom side	0	39750	2506	22.3	21.06	133.05%	0.846	1.126	-
																														Bottom side	0	41055	2636.5	22.3	21.10	131.83%	0.852	1.123	-
50 RB	25	Bottom side	0	39750	2506	22.3	21.04	133.66%	0.787	1.052	-	-	-																										
														Bottom side				0	40185	2549.5	22.3	21.07	132.74%	0.795	1.055	-													
														Bottom side				0	40620	2593	22.3	21.08	132.43%	0.802	1.062	-													
														Bottom side				0	41055	2636.5	22.3	21.09	132.13%	0.830	1.097	-													
														Bottom side				0	41490	2680	22.3	21.04	133.66%	0.814	1.088	-													
														Bottom side				0	39750	2506	22.3	22.17	103.04%	1.070	1.103	-													
CA_41C	20MHz	QPSK	1RB	0	Bottom side	0	39750	2506	22.3	22.17	103.04%	1.070	1.103	-																									
															Bottom side	0	39750	2506	22.3	22.17	103.04%	1.070	1.103	-															
															Bottom side	0	40185	2549.5	22.3	22.16	103.28%	0.993	1.026	-															
															Bottom side	0	40620	2593	22.3	22.18	102.80%	1.070	1.100	-															
															Bottom side	0	41055	2636.5	22.3	22.23	101.62%	1.180	1.199	227															
															Bottom side*	0	41055	2636.5	22.3	22.23	101.62%	1.110	1.128	-															
															LTE Band 41 (HPUE)	20MHz	QPSK	1 RB	0	Bottom side	0	40620	2593	23.9	23.80	102.33%	1.140	1.167	-										
																														Bottom side*	0	40620	2593	23.9	23.80	102.33%	1.140	1.167	-
																														Bottom side	0	41055	2636.5	23.9	23.58	107.65%	0.974	1.048	-
																														Bottom side	0	41490	2680	23.9	23.68	105.20%	0.992	1.044	-
																														Bottom side	0	40185	2549.5	23.9	22.53	137.09%	0.858	1.176	-
																														Bottom side	0	41490	2680	23.9	22.56	136.14%	0.877	1.194	-
50 RB	25	Bottom side	0	39750	2506	23.9	22.54	136.77%	0.863	1.180	-	-	-																										
														Bottom side				0	40185	2549.5	23.9	22.50	138.04%	0.855	1.180	-													
														Bottom side				0	41055	2636.5	23.9	22.57	135.83%	0.890	1.209	-													
														Bottom side				0	39750	2506	23.9	22.56	136.14%	0.840	1.144	-													
														Bottom side				0	40185	2549.5	23.9	22.49	136.36%	0.823	1.139	-													
														Bottom side				0	40620	2593	23.9	22.43	140.28%	0.827	1.160	-													
LTE Band 66	20MHz	QPSK	1 RB	0	Bottom side	0	132072	1720	19.4	19.21	104.47%	1.070	1.118	-																									
															Bottom side	0	132322	1745	19.4	19.19	104.95%	1.120	1.175	-															
															Bottom side	0	132572	1770	19.4	19.27	103.04%	1.150	1.185	2															
															Bottom side*	0	132572	1770	19.4	19.27	103.04%	1.110	1.144	-															

Tx5-5G NR n2 / n5 / n12 / n66

Mode	Bandwidth (MHz)	Modulation	RB Size	RB start	Position	Distance (mm)	CH	Freq. (MHz)	Max. Rated Avg. Power + Max. Tolerance (dBm)	Measured Avg. Power (dBm)	Scaling	Averaged SAR over 1g (W/kg)		Plot page
												Measured	Reported	
NR n2	20MHz	Pi/2 BPSK	1 RB	1	Bottom side	0	372000	1860	18.0	17.69	107.40%	1.280	1.375	230
					Bottom side*	0	372000	1860	18.0	17.69	107.40%	1.110	1.192	-
					Bottom side	0	376000	1880	18.0	17.34	116.41%	1.150	1.339	-
			50 RB	0	Bottom side	0	380000	1900	18.0	17.55	110.92%	1.060	1.176	-
					Bottom side	0	372000	1860	18.0	17.26	118.58%	1.140	1.352	-
					Bottom side	0	376000	1880	18.0	17.24	119.12%	1.070	1.275	-
				56	Bottom side	0	380000	1900	18.0	17.20	120.23%	1.080	1.298	-
					Bottom side	0	372000	1860	18.0	17.12	122.46%	0.930	1.139	-
					Bottom side	0	376000	1880	18.0	17.28	118.03%	0.980	1.157	-
					Bottom side	0	380000	1900	18.0	17.27	118.30%	0.950	1.124	-
					Bottom side	0	166800	834	22.9	22.78	102.80%	1.040	1.069	-
					Bottom side	0	167300	836.5	22.9	22.81	102.09%	1.110	1.133	231
NR n5	20MHz	Pi/2 BPSK	1 RB	1	Bottom side*	0	167300	836.5	22.9	22.81	102.09%	1.090	1.113	-
					Bottom side	0	167800	839	22.9	22.70	104.71%	0.960	1.005	-
					Bottom side	0	167800	839	22.9	22.69	104.95%	1.060	1.113	-
			50 RB	0	Bottom side	0	167800	839	22.9	22.69	104.95%	1.060	1.113	-
					Bottom side	0	166800	834	22.9	22.63	106.41%	0.980	1.043	-
					Bottom side	0	167300	836.5	22.9	22.68	105.20%	0.920	0.968	-
				28	Bottom side	0	166800	834	22.4	22.19	104.95%	0.950	0.997	-
					Bottom side	0	167300	836.5	22.4	22.17	105.44%	0.910	0.959	-
					Bottom side	0	167800	839	22.4	22.16	105.68%	0.880	0.930	-
					Bottom side	0	141300	706.5	22.4	22.34	101.39%	1.210	1.227	232
					Bottom side*	0	141300	706.5	22.4	22.34	101.39%	1.090	1.105	-
					Bottom side	0	141500	707.5	22.4	22.31	102.09%	1.140	1.164	-
NR n12	15MHz	Pi/2 BPSK	1 RB	1	Bottom side	0	141700	708.5	22.4	22.28	102.80%	1.080	1.110	-
					Bottom side	0	141700	708.5	22.4	22.19	104.95%	1.110	1.165	-
					Bottom side	0	141300	706.5	22.4	22.27	103.04%	1.160	1.195	-
			36 RB	22	Bottom side	0	141300	706.5	22.4	22.27	103.04%	1.160	1.195	-
					Bottom side	0	141500	707.5	22.4	22.24	103.75%	1.090	1.131	-
					Bottom side	0	141300	706.5	22.4	21.63	119.40%	1.040	1.242	-
				43	Bottom side	0	141300	706.5	22.4	21.73	116.68%	1.020	1.190	-
					Bottom side	0	141700	708.5	22.4	21.61	119.95%	1.018	1.221	-
					Bottom side	0	344000	1720	18.3	18.22	101.86%	1.220	1.243	233
					Bottom side*	0	344000	1720	18.3	18.22	101.86%	1.190	1.212	-
					Bottom side	0	349000	1745	18.3	18.25	101.16%	1.150	1.163	-
					Bottom side	0	354000	1770	18.3	18.20	102.33%	1.080	1.105	-
NR n66	20MHz	Pi/2 BPSK	1 RB	1	Bottom side	0	354000	1770	18.3	18.11	104.47%	1.060	1.107	-
					Bottom side	0	344000	1720	18.3	18.19	102.57%	1.130	1.159	-
					Bottom side	0	349000	1745	18.3	18.16	103.28%	1.080	1.115	-
			50 RB	28	Bottom side	0	344000	1720	18.3	18.19	102.57%	1.130	1.159	-
					Bottom side	0	349000	1745	18.3	18.16	103.28%	1.080	1.115	-
					Bottom side	0	344000	1720	18.3	18.05	105.93%	0.970	1.027	-
				56	Bottom side	0	349000	1745	18.3	18.15	103.51%	1.050	1.087	-
					Bottom side	0	354000	1770	18.3	18.03	106.41%	0.940	1.000	-
					Bottom side	0	349000	1745	18.3	18.15	103.51%	1.050	1.087	-
					Bottom side	0	344000	1720	18.3	18.05	105.93%	0.970	1.027	-
					Bottom side	0	349000	1745	18.3	18.15	103.51%	1.050	1.087	-
					Bottom side	0	354000	1770	18.3	18.03	106.41%	0.940	1.000	-

* - repeated at the highest SAR measurement according to the KDB 865664 D01

Unless otherwise stated the results shown in this test report refer only to the sample(s) tested and such sample(s) are retained for 90 days only.

除非另有說明，此報告結果僅對測試之樣品負責，同時此樣品僅保留90天。本報告未經本公司書面許可，不可部份複製。

This document is issued by the Company subject to its General Conditions of Service printed overleaf, available on request or accessible at <http://www.sgs.com.tw/Terms-and-Conditions> and for electronic format documents, subject to Terms and Conditions for Electronic Documents at <http://www.sgs.com.tw/Terms-and-Conditions>. Attention is drawn to the limitation of liability, indemnification and jurisdiction issues defined therein. Any holder of this document is advised that information contained hereon reflects the Company's findings at the time of its intervention only and within the limits of Client's instructions, if any. The Company's sole responsibility is to its Client and this document does not exonerate parties to a transaction from exercising all their rights and obligations under the transaction documents. This document cannot be reproduced except in full, without prior written approval of the Company. Any unauthorized alteration, forgery or falsification of the content or appearance of this document is unlawful and offenders may be prosecuted to the fullest extent of the law.

Tablet mode

Tx8-LTE FDD Band 2 / Band 7 / Band 42 / Band 48 / Band 66

Mode	Bandwidth (MHz)	Modulation	RB Size	RB start	Position	Distance (mm)	CH	Freq. (MHz)	Max. Rated Avg. Power + Max. Tolerance (dBm)	Measured Avg. Power (dBm)	Scaling	Averaged SAR over 1g (W/kg)		Plot page
												Measured	Reported	
LTE Band 2	20MHz	QPSK	1 RB	0	Top side	0	18700	1860	16.4	16.27	103.04%	0.652	0.672	-
					Top side	0	18900	1880	16.4	16.29	102.57%	0.671	0.688	234
					Top side	0	19100	1900	16.4	16.22	104.23%	0.629	0.656	-
					Back side	0	18900	1880	16.4	16.29	102.57%	0.302	0.310	-
					Right side	0	18900	1880	16.4	16.29	102.57%	0.155	0.159	-
					Top side	0	18900	1880	16.4	16.19	104.95%	0.619	0.650	-
			50 RB	0	Back side	0	18900	1880	16.4	16.19	104.95%	0.287	0.301	-
					Right side	0	18900	1880	16.4	16.19	104.95%	0.145	0.152	-
					Top side	0	19100	1900	16.4	16.08	107.65%	0.597	0.643	-
					Back side	0	19100	1900	16.4	16.08	107.65%	0.275	0.296	-
					Right side	0	19100	1900	16.4	16.08	107.65%	0.136	0.146	-
					Top side	0	19100	1900	16.4	16.08	107.65%	0.136	0.146	-
LTE Band 7	20MHz	QPSK	1 RB	0	Top side	0	20850	2510	11.6	11.45	103.51%	0.649	0.672	-
					Top side	0	21100	2535	11.6	11.52	101.86%	0.689	0.702	235
					Top side	0	21350	2560	11.6	11.41	104.47%	0.632	0.660	-
					Back side	0	21100	2535	11.6	11.52	101.86%	0.260	0.265	-
					Right side	0	21100	2535	11.6	11.52	101.86%	0.023	0.023	-
					Top side	0	21100	2535	11.6	11.36	105.68%	0.563	0.595	-
			50 RB	25	Back side	0	21100	2535	11.6	11.36	105.68%	0.234	0.247	-
					Right side	0	21100	2535	11.6	11.36	105.68%	0.020	0.021	-
					Top side	0	21100	2535	11.6	11.37	105.44%	0.534	0.563	-
					Back side	0	21100	2535	11.6	11.37	105.44%	0.224	0.236	-
					Right side	0	21100	2535	11.6	11.37	105.44%	0.019	0.020	-
					Top side	0	43190	3560	17.5	17.34	103.75%	0.613	0.636	-
LTE Band 42	20MHz	QPSK	1 RB	0	Top side	0	43340	3575	17.5	17.30	104.71%	0.601	0.629	-
					Top side	0	43490	3590	17.5	17.41	102.09%	0.638	0.651	236
					Back side	0	43490	3590	17.5	17.41	102.09%	0.273	0.279	-
					Right side	0	43490	3590	17.5	17.41	102.09%	0.087	0.089	-
					Top side	0	43190	3560	17.5	17.28	105.20%	0.582	0.612	-
					Back side	0	43190	3560	17.5	17.28	105.20%	0.256	0.269	-
			50 RB	49	Right side	0	43190	3560	17.5	17.28	105.20%	0.076	0.080	-
					Top side	0	43340	3575	17.5	17.27	105.44%	0.575	0.606	-
					Back side	0	43340	3575	17.5	17.27	105.44%	0.241	0.254	-
					Right side	0	43340	3575	17.5	17.27	105.44%	0.072	0.076	-
					Top side	0	55340	3560	17.7	17.66	100.93%	0.649	0.655	237
					Top side	0	55773	3603.3	17.7	17.52	104.23%	0.612	0.638	-
LTE Band 48	20MHz	QPSK	1 RB	0	Top side	0	56207	3646.7	17.7	17.47	105.44%	0.601	0.634	-
					Top side	0	56640	3690	17.7	17.50	104.71%	0.607	0.636	-
					Back side	0	55340	3560	17.7	17.66	100.93%	0.204	0.206	-
					Right side	0	55340	3560	17.7	17.66	100.93%	0.067	0.068	-
					Top side	0	56640	3690	17.7	17.44	106.17%	0.582	0.618	-
					Back side	0	56640	3690	17.7	17.44	106.17%	0.183	0.194	-
			50 RB	25	Right side	0	56640	3690	17.7	17.44	106.17%	0.053	0.056	-
					Top side	0	56207	3646.7	17.7	17.40	107.15%	0.552	0.591	-
					Back side	0	56207	3646.7	17.7	17.40	107.15%	0.175	0.188	-
					Right side	0	56207	3646.7	17.7	17.40	107.15%	0.031	0.033	-
					Top side	0	55340	3560	17.7	17.63	101.62%	0.637	0.647	-
					Top side	0	132072	1720	19.0	18.82	104.23%	0.642	0.669	-
LTE Band 66	20MHz	QPSK	1 RB	0	Top side	0	132322	1745	19.0	18.90	102.33%	0.669	0.685	238
					Top side	0	132572	1770	19.0	18.80	104.71%	0.632	0.662	-
					Back side	0	132322	1745	19.0	18.90	102.33%	0.239	0.245	-
					Right side	0	132322	1745	19.0	18.90	102.33%	0.205	0.210	-
					Top side	0	132072	1720	19.0	18.75	105.93%	0.621	0.658	-
					Back side	0	132072	1720	19.0	18.75	105.93%	0.212	0.225	-
			50 RB	0	Right side	0	132072	1720	19.0	18.75	105.93%	0.187	0.198	-
					Top side	0	132572	1770	19.0	18.77	105.44%	0.607	0.640	-
					Back side	0	132572	1770	19.0	18.77	105.44%	0.201	0.212	-
					Right side	0	132572	1770	19.0	18.77	105.44%	0.171	0.180	-
					Top side	0	55340	3560	17.7	17.63	101.62%	0.637	0.647	-
					Top side	0	55773	3603.3	17.7	17.52	104.23%	0.612	0.638	-
CA_48C	20MHz	QPSK	1RB	0	Top side	0	55340	3560	17.7	17.63	101.62%	0.637	0.647	-
					Top side	0	55773	3603.3	17.7	17.52	104.23%	0.612	0.638	-
					Top side	0	56207	3646.7	17.7	17.47	105.44%	0.601	0.634	-
					Top side	0	56640	3690	17.7	17.50	104.71%	0.607	0.636	-
					Back side	0	55340	3560	17.7	17.66	100.93%	0.204	0.206	-
					Right side	0	55340	3560	17.7	17.66	100.93%	0.067	0.068	-
					Top side	0	56640	3690	17.7	17.44	106.17%	0.582	0.618	-
					Back side	0	56640	3690	17.7	17.44	106.17%	0.183	0.194	-
					Right side	0	56640	3690	17.7	17.44	106.17%	0.053	0.056	-
					Top side	0	56207	3646.7	17.7	17.40	107.15%	0.552	0.591	-
					Back side	0	56207	3646.7	17.7	17.40	107.15%	0.175	0.188	-
					Right side	0	56207	3646.7	17.7	17.40	107.15%	0.031	0.033	-
Top side	0	55340	3560	17.7	17.63	101.62%	0.637	0.647	-					
Top side	0	132072	1720	19.0	18.82	104.23%	0.642	0.669	-					
Top side	0	132322	1745	19.0	18.90	102.33%	0.669	0.685	238					
Top side	0	132572	1770	19.0	18.80	104.71%	0.632	0.662	-					
Back side	0	132322	1745	19.0	18.90	102.33%	0.239	0.245	-					
Right side	0	132322	1745	19.0	18.90	102.33%	0.205	0.210	-					
Top side	0	132072	1720	19.0	18.75	105.93%	0.621	0.658	-					
Back side	0	132072	1720	19.0	18.75	105.93%	0.212	0.225	-					
Right side	0	132072	1720	19.0	18.75	105.93%	0.187	0.198	-					
Top side	0	132572	1770	19.0	18.77	105.44%	0.607	0.640	-					
Back side	0	132572	1770	19.0	18.77	105.44%	0.201	0.212	-					
Right side	0	132572	1770	19.0	18.77	105.44%	0.171	0.180	-					

Unless otherwise stated the results shown in this test report refer only to the sample(s) tested and such sample(s) are retained for 90 days only.

除非另有說明，此報告結果僅對測試之樣品負責，同時此樣品僅保留90天。本報告未經本公司書面許可，不可部份複製。

 This document is issued by the Company subject to its General Conditions of Service printed overleaf, available on request or accessible at <http://www.sgs.com.tw/Terms-and-Conditions> and for electronic format documents, subject to Terms and Conditions for Electronic Documents at <http://www.sgs.com.tw/Terms-and-Conditions>. Attention is drawn to the limitation of liability, indemnification and jurisdiction issues defined therein. Any holder of this document is advised that information contained hereon reflects the Company's findings at the time of its intervention only and within the limits of Client's instructions, if any. The Company's sole responsibility is to its Client and this document does not exonerate parties to a transaction from exercising all their rights and obligations under the transaction documents. This document cannot be reproduced except in full, without prior written approval of the Company. Any unauthorized alteration, forgery or falsification of the content or appearance of this document is unlawful and offenders may be prosecuted to the fullest extent of the law.

Tx8-5G NR n2 / n7 / n41 / n66

Mode	Bandwidth (MHz)	Modulation	RB Size	RB start	Position	Distance (mm)	CH	Freq. (MHz)	Max. Rated Avg. Power + Max. Tolerance (dBm)	Measured Avg. Power (dBm)	Scaling	Averaged SAR over 1g (W/kg)		Plot page		
												Measured	Reported			
NR n2	20MHz	Pi/2 BPSK	1 RB	1	Top side	0	372000	1860	18.0	17.73	106.41%	0.656	0.698	239		
					Top side	0	376000	1880	18.0	17.69	107.40%	0.611	0.656	-		
					Top side	0	380000	1900	18.0	17.70	107.15%	0.632	0.677	-		
					Back side	0	372000	1860	18.0	17.73	106.41%	0.187	0.199	-		
					Right side	0	372000	1860	18.0	17.73	106.41%	0.063	0.067	-		
					Top side	0	376000	1880	18.0	17.66	108.14%	0.587	0.635	-		
			50 RB	0	Back side	0	376000	1880	18.0	17.66	108.14%	0.161	0.174	-		
					Right side	0	376000	1880	18.0	17.66	108.14%	0.047	0.051	-		
					100 RB	0	Top side	0	372000	1860	18.0	17.62	109.14%	0.563	0.614	-
							Back side	0	372000	1860	18.0	17.62	109.14%	0.152	0.166	-
							Right side	0	372000	1860	18.0	17.62	109.14%	0.042	0.046	-
					NR n7	20MHz	Pi/2 BPSK	1 RB	1	Top side	0	502000	2510	11.8	11.67	103.04%
Top side	0	507000	2535	11.8						11.59	104.95%	0.632	0.663	-		
Top side	0	512000	2560	11.8						11.68	102.80%	0.673	0.692	240		
Back side	0	512000	2560	11.8						11.68	102.80%	0.121	0.124	-		
Right side	0	512000	2560	11.8						11.68	102.80%	0.075	0.077	-		
Top side	0	507000	2535	11.8						11.57	105.44%	0.627	0.661	-		
50 RB	56	Back side	0	507000				2535	11.8	11.57	105.44%	0.111	0.117	-		
		Right side	0	507000				2535	11.8	11.57	105.44%	0.067	0.071	-		
		100 RB	0	Top side				0	512000	2560	11.8	11.42	109.14%	0.593	0.647	-
				Back side				0	512000	2560	11.8	11.42	109.14%	0.102	0.111	-
				Right side				0	512000	2560	11.8	11.42	109.14%	0.057	0.063	-
		NR n41	100MHz	Pi/2 BPSK				1 RB	1	Top side	0	509202	2546.01	12.5	12.35	103.51%
Top side	0				518598	2592.99	12.5			12.38	102.80%	0.658	0.676	241		
Top side	0				528000	2640	12.5			12.30	104.71%	0.612	0.641	-		
Back side	0				518598	2592.99	12.5			12.38	102.80%	0.276	0.284	-		
Right side	0				518598	2592.99	12.5			12.38	102.80%	0.046	0.047	-		
Top side	0				518598	2592.99	12.5			12.29	104.95%	0.604	0.634	-		
135 RB	69				Back side	0	518598	2592.99	12.5	12.29	104.95%	0.255	0.268	-		
					Right side	0	518598	2592.99	12.5	12.29	104.95%	0.039	0.041	-		
					270 RB	0	Top side	0	528000	2640	12.5	12.17	107.89%	0.576	0.621	-
							Back side	0	528000	2640	12.5	12.17	107.89%	0.213	0.230	-
							Right side	0	528000	2640	12.5	12.17	107.89%	0.030	0.032	-
					NR n41 (HPUE)	100MHz	Pi/2 BPSK	1 RB	1	Top side	0	509202	2546.01	14.9	14.72	104.23%
Top side	0	518598	2592.99	14.9						14.62	106.66%	0.632	0.674	-		
Top side	0	528000	2640	14.9						14.66	105.68%	0.643	0.680	-		
Back side	0	509202	2546.01	14.9						14.72	104.23%	0.278	0.290	-		
Right side	0	509202	2546.01	14.9						14.72	104.23%	0.075	0.078	-		
Top side	0	528000	2640	14.9						14.57	107.89%	0.621	0.670	-		
135 RB	0	Back side	0	528000				2640	14.9	14.57	107.89%	0.245	0.264	-		
		Right side	0	528000				2640	14.9	14.57	107.89%	0.070	0.076	-		
		270 RB	0	Top side				0	509202	2546.01	14.9	14.07	121.06%	0.617	0.747	-
				Back side				0	509202	2546.01	14.9	14.07	121.06%	0.214	0.259	-
				Right side				0	509202	2546.01	14.9	14.07	121.06%	0.068	0.082	-
		NR n66	20MHz	Pi/2 BPSK				1 RB	1	Top side	0	344000	1720	13.8	13.66	103.28%
Top side	0				349000	1745	13.8			13.68	102.80%	0.687	0.706	243		
Top side	0				354000	1770	13.8			13.62	104.23%	0.661	0.689	-		
Back side	0				349000	1745	13.8			13.68	102.80%	0.376	0.387	-		
Right side	0				349000	1745	13.8			13.68	102.80%	0.118	0.121	-		
Top side	0				349000	1745	13.8			13.57	105.44%	0.643	0.678	-		
50 RB	0				Back side	0	349000	1745	13.8	13.57	105.44%	0.325	0.343	-		
					Right side	0	349000	1745	13.8	13.57	105.44%	0.103	0.109	-		
					100 RB	0	Top side	0	354000	1770	13.8	13.59	104.95%	0.614	0.644	-
							Back side	0	354000	1770	13.8	13.59	104.95%	0.317	0.333	-
							Right side	0	354000	1770	13.8	13.59	104.95%	0.098	0.102	-

Note:

$$\text{Scaling} = \frac{\text{reported SAR}}{\text{measured SAR}} = \frac{P_2(\text{mW})}{P_1(\text{mW})} = 10^{\left(\frac{P_2 - P_1}{10}\right)} (\text{dBm})$$

Reported SAR = measured SAR * (scaling)

Where P2 is maximum specified power, P1 is measured conducted power

2.3 Reporting statements of conformity

The conformity statement in this report is based solely on the test results, measurement uncertainty is excluded.

Unless otherwise stated the results shown in this test report refer only to the sample(s) tested and such sample(s) are retained for 90 days only.

除非另有說明，此報告結果僅對測試之樣品負責，同時此樣品僅保留90天。本報告未經本公司書面許可，不可部份複製。

This document is issued by the Company subject to its General Conditions of Service printed overleaf, available on request or accessible at <http://www.sgs.com.tw/Terms-and-Conditions> and for electronic format documents, subject to Terms and Conditions for Electronic Documents at <http://www.sgs.com.tw/Terms-and-Conditions>. Attention is drawn to the limitation of liability, indemnification and jurisdiction issues defined therein. Any holder of this document is advised that information contained hereon reflects the Company's findings at the time of its intervention only and within the limits of Client's instructions, if any. The Company's sole responsibility is to its Client and this document does not exonerate parties to a transaction from exercising all their rights and obligations under the transaction documents. This document cannot be reproduced except in full, without prior written approval of the Company. Any unauthorized alteration, forgery or falsification of the content or appearance of this document is unlawful and offenders may be prosecuted to the fullest extent of the law.

3. Simultaneous Transmission Analysis

Simultaneous Transmission Scenarios:

NO.	Simultaneous Transmit Configurations	Body
1	WWAN + 2.4GHz MIMO	YES
2	WWAN + 5GHz MIMO	YES
3	WWAN + BT + 5GHz MIMO	YES
4	WWAN + 2.4GHz WLAN Tx1	YES
5	WWAN + 2.4GHz WLAN Tx2 + BT Tx1	YES
6	WWAN + 5GHz WLAN Tx2 + BT Tx1	YES
7	WWAN + 5GHz WLAN Tx1 + BT Tx1	YES

Note :

1. The Intel AX201D2W WLAN/BT module is also integrated into this host, WLAN/BT power and WLAN SAR testing data, which can be referred to Intel SAR test report, Report No.:200903-03.TR01(FCC ID:PD9AX201D2) and these results are used for simultaneous transmission analysis.
2. According to Intel SAR report, the test positions and 1g SAR result used for the testing below are based on the SISO standalone WLAN SAR result. When the MIMO operation active will be reduced by 3dB within each SISO operation, therefore the MIMO SAR was estimated based on SISO standalone results to perform the simultaneous transmission analysis with WWAN operation.

Unless otherwise stated the results shown in this test report refer only to the sample(s) tested and such sample(s) are retained for 90 days only.
 除非另有說明，此報告結果僅對測試之樣品負責，同時此樣品僅保留90天。本報告未經本公司書面許可，不可部份複製。

This document is issued by the Company subject to its General Conditions of Service printed overleaf, available on request or accessible at <http://www.sgs.com.tw/Terms-and-Conditions> and for electronic format documents, subject to Terms and Conditions for Electronic Documents at <http://www.sgs.com.tw/Terms-and-Conditions>. Attention is drawn to the limitation of liability, indemnification and jurisdiction issues defined therein. Any holder of this document is advised that information contained hereon reflects the Company's findings at the time of its intervention only and within the limits of Client's instructions, if any. The Company's sole responsibility is to its Client and this document does not exonerate parties to a transaction from exercising all their rights and obligations under the transaction documents. This document cannot be reproduced except in full, without prior written approval of the Company. Any unauthorized alteration, forgery or falsification of the content or appearance of this document is unlawful and offenders may be prosecuted to the fullest extent of the law.

3.1 Estimated SAR calculation

According to KDB447498 D01v06 – When standalone SAR test exclusion applies to an antenna that transmits simultaneously with other antennas, the standalone SAR must be estimated according to following to determine simultaneous transmission SAR test exclusion:

$$\text{Estimated SAR} = \frac{\text{Max.tune up power (mW)}}{\text{Min. test separation distance(mm)}} \times \frac{\sqrt{f(\text{GHz})}}{7.5}$$

If the minimum test separation distance is < 5mm, a distance of 5mm is used for estimated SAR calculation. When the test separation distance is >50mm, the 0.4W/kg is used for SAR-1g.

3.2 SPLSR evaluation and analysis

Per KDB447498D01, when the sum of SAR is larger than the limit, SAR test exclusion is determined by the SAR sum to peak location separation ratio(SPLSR).

The simultaneous transmitting antennas in each operating mode and exposure condition combination must be considered one pair at a time to determine the SAR to peak location separation ratio to qualify for test exclusion.

The ratio is determined by $(\text{SAR1} + \text{SAR2})^{1.5}/R_i$, rounded to two decimal digits, and must be ≤ 0.04 for all antenna pairs in the configuration to qualify for 1-g SAR test exclusion.

SAR1 and SAR2 are the highest reported or estimated SAR for each antenna in the pair, and R_i is the separation distance between the peak SAR locations for the antenna pair in mm.

When standalone test exclusion applies, SAR is estimated; the peak location is assumed to be at the feed-point or geometric center of the antenna.

Unless otherwise stated the results shown in this test report refer only to the sample(s) tested and such sample(s) are retained for 90 days only.

除非另有說明，此報告結果僅對測試之樣品負責，同時此樣品僅保留90天。本報告未經本公司書面許可，不可部份複製。

This document is issued by the Company subject to its General Conditions of Service printed overleaf, available on request or accessible at <http://www.sgs.com.tw/Terms-and-Conditions> and for electronic format documents, subject to Terms and Conditions for Electronic Documents at <http://www.sgs.com.tw/Terms-and-Conditions>. Attention is drawn to the limitation of liability, indemnification and jurisdiction issues defined therein. Any holder of this document is advised that information contained hereon reflects the Company's findings at the time of its intervention only and within the limits of Client's instructions, if any. The Company's sole responsibility is to its Client and this document does not exonerate parties to a transaction from exercising all their rights and obligations under the transaction documents. This document cannot be reproduced except in full, without prior written approval of the Company. Any unauthorized alteration, forgery or falsification of the content or appearance of this document is unlawful and offenders may be prosecuted to the fullest extent of the law.

Tx5 antenna (Tablet mode)

WWAN	Exposure position 1g(W/kg)	1	2	3	4	5	6	7	8	9	10	Scenario 1	Scenario 2	Scenario 3	Scenario 4	Scenario 5	Scenario 6	Scenario 7
		WWAN Tx5	WLAN 2.4GHz SISO(Tx2)	WLAN 2.4GHz SISO(Tx1)	WLAN 5GHz SISO(Tx2)	WLAN 5GHz SISO(Tx1)	BT Aux (Tx1)	WLAN 2.4GHz MIMO(Tx2)	WLAN 2.4GHz MIMO(Tx1)	WLAN 5GHz MIMO(Tx2)	WLAN 5GHz MIMO(Tx1)	WLAN 5GHz MIMO(Tx1)	1+7+8 Sum	1+9+10 Sum	1+6+9+10 Sum	1+3 Sum	1+2+6 Sum	1+4+6 Sum
WCDMA Band I	Top side	0.139	0.700	0.430	0.710	0.710	0.090	0.350	0.215	0.355	0.355	0.704	0.849	0.939	0.569	0.929	0.939	0.939
	Back side	1.140	0.130	0.050	0.060	0.050	0.010	0.065	0.025	0.030	0.025	1.230	1.195	1.205	1.190	1.280	1.210	1.200
	Right side	0.474	0.310	-	0.150	-	-	0.155	-	0.075	-	0.155	0.075	0.075	0.474	0.474	0.474	0.474
	Bottom side	0.400	-	-	-	-	-	-	-	-	-	0.400	0.400	0.400	0.400	0.400	0.400	0.400
WCDMA Band IV	Top side	0.102	0.700	0.430	0.710	0.710	0.090	0.350	0.215	0.355	0.355	0.667	0.812	0.902	0.532	0.892	0.902	0.902
	Back side	1.103	0.130	0.050	0.060	0.050	0.010	0.065	0.025	0.030	0.025	1.193	1.158	1.168	1.153	1.243	1.173	1.163
	Right side	0.474	0.310	-	0.150	-	-	0.155	-	0.075	-	0.155	0.075	0.075	0.474	0.474	0.474	0.474
	Bottom side	0.400	-	-	-	-	-	-	-	-	-	0.400	0.400	0.400	0.400	0.400	0.400	0.400
WCDMA Band V	Top side	0.114	0.700	0.430	0.710	0.710	0.090	0.350	0.215	0.355	0.355	0.679	0.824	0.914	0.544	0.904	0.914	0.914
	Back side	1.115	0.130	0.050	0.060	0.050	0.010	0.065	0.025	0.030	0.025	1.205	1.170	1.180	1.165	1.255	1.185	1.175
	Right side	0.474	0.310	-	0.150	-	-	0.155	-	0.075	-	0.155	0.075	0.075	0.474	0.474	0.474	0.474
	Bottom side	0.400	-	-	-	-	-	-	-	-	-	0.400	0.400	0.400	0.400	0.400	0.400	0.400
LTE Band 2	Top side	0.150	0.700	0.430	0.710	0.710	0.090	0.350	0.215	0.355	0.355	0.715	0.860	0.950	0.580	0.940	0.950	0.950
	Back side	1.145	0.130	0.050	0.060	0.050	0.010	0.065	0.025	0.030	0.025	1.235	1.200	1.210	1.195	1.285	1.215	1.205
	Right side	0.592	0.310	-	0.150	-	-	0.155	-	0.075	-	0.155	0.075	0.075	0.592	0.592	0.592	0.592
	Bottom side	0.400	-	-	-	-	-	-	-	-	-	0.400	0.400	0.400	0.400	0.400	0.400	0.400
LTE Band 4	Top side	0.132	0.700	0.430	0.710	0.710	0.090	0.350	0.215	0.355	0.355	0.697	0.842	0.932	0.562	0.922	0.932	0.932
	Back side	1.128	0.130	0.050	0.060	0.050	0.010	0.065	0.025	0.030	0.025	1.213	1.183	1.193	1.178	1.268	1.198	1.188
	Right side	0.474	0.310	-	0.150	-	-	0.155	-	0.075	-	0.155	0.075	0.075	0.474	0.474	0.474	0.474
	Bottom side	0.400	-	-	-	-	-	-	-	-	-	0.400	0.400	0.400	0.400	0.400	0.400	0.400
LTE Band 5	Top side	0.137	0.700	0.430	0.710	0.710	0.090	0.350	0.215	0.355	0.355	0.707	0.852	0.942	0.572	0.932	0.942	0.942
	Back side	1.093	0.130	0.050	0.060	0.050	0.010	0.065	0.025	0.030	0.025	1.183	1.148	1.158	1.143	1.233	1.163	1.153
	Right side	0.474	0.310	-	0.150	-	-	0.155	-	0.075	-	0.155	0.075	0.075	0.474	0.474	0.474	0.474
	Bottom side	0.400	-	-	-	-	-	-	-	-	-	0.400	0.400	0.400	0.400	0.400	0.400	0.400
LTE Band 7	Top side	0.069	0.700	0.430	0.710	0.710	0.090	0.350	0.215	0.355	0.355	0.634	0.779	0.869	0.499	0.889	0.889	0.889
	Back side	1.105	0.130	0.050	0.060	0.050	0.010	0.065	0.025	0.030	0.025	1.195	1.160	1.170	1.155	1.245	1.175	1.165
	Right side	0.474	0.310	-	0.150	-	-	0.155	-	0.075	-	0.155	0.075	0.075	0.474	0.474	0.474	0.474
	Bottom side	0.400	-	-	-	-	-	-	-	-	-	0.400	0.400	0.400	0.400	0.400	0.400	0.400
LTE Band 12	Top side	0.116	0.700	0.430	0.710	0.710	0.090	0.350	0.215	0.355	0.355	0.681	0.826	0.916	0.546	0.906	0.916	0.916
	Back side	1.126	0.130	0.050	0.060	0.050	0.010	0.065	0.025	0.030	0.025	1.215	1.180	1.190	1.175	1.265	1.195	1.185
	Right side	0.474	0.310	-	0.150	-	-	0.155	-	0.075	-	0.155	0.075	0.075	0.474	0.474	0.474	0.474
	Bottom side	0.400	-	-	-	-	-	-	-	-	-	0.400	0.400	0.400	0.400	0.400	0.400	0.400
LTE Band 13	Top side	0.126	0.700	0.430	0.710	0.710	0.090	0.350	0.215	0.355	0.355	0.691	0.836	0.926	0.556	0.916	0.926	0.926
	Back side	1.201	0.130	0.050	0.060	0.050	0.010	0.065	0.025	0.030	0.025	1.291	1.256	1.266	1.251	1.341	1.271	1.261
	Right side	0.474	0.310	-	0.150	-	-	0.155	-	0.075	-	0.155	0.075	0.075	0.474	0.474	0.474	0.474
	Bottom side	0.400	-	-	-	-	-	-	-	-	-	0.400	0.400	0.400	0.400	0.400	0.400	0.400
LTE Band 14	Top side	0.120	0.700	0.430	0.710	0.710	0.090	0.350	0.215	0.355	0.355	0.685	0.830	0.920	0.550	0.910	0.920	0.920
	Back side	1.192	0.130	0.050	0.060	0.050	0.010	0.065	0.025	0.030	0.025	1.281	1.247	1.257	1.242	1.332	1.262	1.252
	Right side	0.474	0.310	-	0.150	-	-	0.155	-	0.075	-	0.155	0.075	0.075	0.474	0.474	0.474	0.474
	Bottom side	0.400	-	-	-	-	-	-	-	-	-	0.400	0.400	0.400	0.400	0.400	0.400	0.400
LTE Band 17	Top side	0.085	0.700	0.430	0.710	0.710	0.090	0.350	0.215	0.355	0.355	0.650	0.795	0.885	0.515	0.875	0.885	0.885
	Back side	1.066	0.130	0.050	0.060	0.050	0.010	0.065	0.025	0.030	0.025	1.156	1.121	1.131	1.116	1.206	1.136	1.126
	Right side	0.474	0.310	-	0.150	-	-	0.155	-	0.075	-	0.155	0.075	0.075	0.474	0.474	0.474	0.474
	Bottom side	0.400	-	-	-	-	-	-	-	-	-	0.400	0.400	0.400	0.400	0.400	0.400	0.400
LTE Band 25	Top side	0.124	0.700	0.430	0.710	0.710	0.090	0.350	0.215	0.355	0.355	0.689	0.834	0.924	0.554	0.914	0.924	0.924
	Back side	1.229	0.130	0.050	0.060	0.050	0.010	0.065	0.025	0.030	0.025	1.319	1.283	1.293	1.278	1.368	1.298	1.288
	Right side	0.474	0.310	-	0.150	-	-	0.155	-	0.075	-	0.155	0.075	0.075	0.474	0.474	0.474	0.474
	Bottom side	0.400	-	-	-	-	-	-	-	-	-	0.400	0.400	0.400	0.400	0.400	0.400	0.400
LTE Band 26	Top side	0.146	0.700	0.430	0.710	0.710	0.090	0.350	0.215	0.355	0.355	0.707	0.852	0.942	0.572	0.932	0.942	0.942
	Back side	1.146	0.130	0.050	0.060	0.050	0.010	0.065	0.025	0.030	0.025	1.237	1.202	1.212	1.197	1.287	1.217	1.207
	Right side	0.474	0.310	-	0.150	-	-	0.155	-	0.075	-	0.155	0.075	0.075	0.474	0.474	0.474	0.474
	Bottom side	0.400	-	-	-	-	-	-	-	-	-	0.400	0.400	0.400	0.400	0.400	0.400	0.400
LTE Band 30	Top side	0.104	0.700	0.430	0.710	0.710	0.090	0.350	0.215	0.355	0.355	0.659	0.804	0.894	0.524	0.914	0.924	0.924
	Back side	1.199	0.130	0.050	0.060	0.050	0.010	0.065	0.025	0.030	0.025	1.289	1.254	1.264	1.249	1.339	1.269	1.259
	Right side	0.474	0.310	-	0.150	-	-	0.155	-	0.075	-	0.155	0.075	0.075	0.474	0.474	0.474	0.474
	Bottom side	0.400	-	-	-	-	-	-	-	-	-	0.400	0.400	0.400	0.400	0.400	0.400	0.400
LTE Band 38	Top side	0.028	0.700	0.430	0.710	0.710	0.090	0.350	0.215	0.355	0.355	0.593	0.738	0.828	0.458	0.818	0.828	0.828
	Back side	1.177	0.130	0.050	0.060	0.050	0.010	0.065	0.025	0.030	0.025	1.267	1.232	1.242	1.227	1.317	1.247	1.237
	Right side	0.492	0.310	-	0.150	-	-	0.155	-	0.075	-	0.155	0.075	0.075	0.492	0.492	0.492	0.492
	Bottom side	0.400	-	-	-	-	-	-	-	-	-	0.400	0.400	0.400	0.400	0.400	0.400	0.400
LTE Band 41	Top side	0.023	0.700	0.430	0.710	0.710	0.090	0.350	0.215	0.355	0.355	0.588	0.733	0.823	0.453	0.813	0.823	0.823
	Back side	1.154	0.130	0.050	0.060	0.050	0.010	0.065	0.025	0.030	0.025	1.244	1.209	1.219	1.204	1.294	1.224	1.214
	Right side	0.474																

Tx5 antenna (Notebook mode)

WWAN	Exposure position 1g(W/kg)	1	2	3	4	5	6	7	8	9	10	Scenario 1	Scenario 2	Scenario 3	Scenario 4	Scenario 5	Scenario 6	Scenario 7
		WWAN Tx5	WLAN 2.4GHz SISO(Tx2)	WLAN 2.4GHz SISO(Tx1)	WLAN 5GHz SISO(Tx2)	WLAN 5GHz SISO(Tx1)	BT Aux (Tx1)	WLAN 2.4GHz MIMO(Tx2)	WLAN 2.4GHz MIMO(Tx1)	WLAN 5GHz MIMO(Tx2)	WLAN 5GHz MIMO(Tx1)	1+7+8 Sum	1+9+10 Sum	1+6+9+10 Sum	1+3 Sum	1+2+6 Sum	1+4+6 Sum	1+5+6 Sum
WCDMA Band II	Bottom side	1.150	-	-	-	-	-	-	-	-	-	1.150	1.150	1.150	1.150	1.150	1.150	1.150
WCDMA Band IV	Bottom side	1.143	-	-	-	-	-	-	-	-	-	1.143	1.143	1.143	1.143	1.143	1.143	1.143
WCDMA Band V	Bottom side	1.120	-	-	-	-	-	-	-	-	-	1.120	1.120	1.120	1.120	1.120	1.120	1.120
LTE Band 2	Bottom side	1.110	-	-	-	-	-	-	-	-	-	1.110	1.110	1.110	1.110	1.110	1.110	1.110
LTE Band 4	Bottom side	1.045	-	-	-	-	-	-	-	-	-	1.045	1.045	1.045	1.045	1.045	1.045	1.045
LTE Band 5	Bottom side	1.359	-	-	-	-	-	-	-	-	-	1.359	1.359	1.359	1.359	1.359	1.359	1.359
LTE Band 7	Bottom side	1.231	-	-	-	-	-	-	-	-	-	1.231	1.231	1.231	1.231	1.231	1.231	1.231
LTE Band 12	Bottom side	1.087	-	-	-	-	-	-	-	-	-	1.087	1.087	1.087	1.087	1.087	1.087	1.087
LTE Band 13	Bottom side	1.178	-	-	-	-	-	-	-	-	-	1.178	1.178	1.178	1.178	1.178	1.178	1.178
LTE Band 14	Bottom side	1.230	-	-	-	-	-	-	-	-	-	1.230	1.230	1.230	1.230	1.230	1.230	1.230
LTE Band 17	Bottom side	1.249	-	-	-	-	-	-	-	-	-	1.249	1.249	1.249	1.249	1.249	1.249	1.249
LTE Band 25	Bottom side	1.077	-	-	-	-	-	-	-	-	-	1.077	1.077	1.077	1.077	1.077	1.077	1.077
LTE Band 26	Bottom side	1.237	-	-	-	-	-	-	-	-	-	1.237	1.237	1.237	1.237	1.237	1.237	1.237
LTE Band 30	Bottom side	1.247	-	-	-	-	-	-	-	-	-	1.247	1.247	1.247	1.247	1.247	1.247	1.247
LTE Band 38	Bottom side	1.204	-	-	-	-	-	-	-	-	-	1.204	1.204	1.204	1.204	1.204	1.204	1.204
LTE Band 41	Bottom side	1.199	-	-	-	-	-	-	-	-	-	1.199	1.199	1.199	1.199	1.199	1.199	1.199
LTE Band 41(HFUE)	Bottom side	1.228	-	-	-	-	-	-	-	-	-	1.228	1.228	1.228	1.228	1.228	1.228	1.228
LTE Band 66	Bottom side	1.185	-	-	-	-	-	-	-	-	-	1.185	1.185	1.185	1.185	1.185	1.185	1.185
NR n2	Bottom side	1.375	-	-	-	-	-	-	-	-	-	1.375	1.375	1.375	1.375	1.375	1.375	1.375
NR n5	Bottom side	1.133	-	-	-	-	-	-	-	-	-	1.133	1.133	1.133	1.133	1.133	1.133	1.133
NR n12	Bottom side	1.242	-	-	-	-	-	-	-	-	-	1.242	1.242	1.242	1.242	1.242	1.242	1.242
NR n66	Bottom side	1.243	-	-	-	-	-	-	-	-	-	1.243	1.243	1.243	1.243	1.243	1.243	1.243

Unless otherwise stated the results shown in this test report refer only to the sample(s) tested and such sample(s) are retained for 90 days only.

除非另有說明，此報告結果僅對測試之樣品負責，同時此樣品僅保留90天。本報告未經本公司書面許可，不可部份複製。

This document is issued by the Company subject to its General Conditions of Service printed overleaf, available on request or accessible at <http://www.sgs.com.tw/Terms-and-Conditions> and for electronic format documents, subject to Terms and Conditions for Electronic Documents at <http://www.sgs.com.tw/Terms-and-Conditions>. Attention is drawn to the limitation of liability, indemnification and jurisdiction issues defined therein. Any holder of this document is advised that information contained hereon reflects the Company's findings at the time of its intervention only and within the limits of Client's instructions, if any. The Company's sole responsibility is to its Client and this document does not exonerate parties to a transaction from exercising all their rights and obligations under the transaction documents. This document cannot be reproduced except in full, without prior written approval of the Company. Any unauthorized alteration, forgery or falsification of the content or appearance of this document is unlawful and offenders may be prosecuted to the fullest extent of the law.

Tx8 antenna (Tablet mode)

WWAN	Exposure position 1g(W/kg)	1	2	3	4	5	6	7	8	9	10	Scenario 1	Scenario 2	Scenario 3	Scenario 4	Scenario 5	Scenario 6	Scenario 7
		WWAN Tx8	WLAN 2.4GHz SISO(Tx2)	WLAN 2.4GHz SISO(Tx1)	WLAN 5GHz SISO(Tx2)	WLAN 5GHz SISO(Tx1)	BT Aux (Tx1)	WLAN 2.4GHz MIMO(Tx2)	WLAN 2.4GHz MIMO(Tx1)	WLAN 5GHz MIMO(Tx2)	WLAN 5GHz MIMO(Tx1)	1+7+8 Sum	1+9+10 Sum	1+6+9+10 Sum	1+3 Sum	1+2+6 Sum	1+4+6 Sum	1+5+6 Sum
LTE Band 2	Top side	0.688	0.700	0.430	0.710	0.090	-	0.350	0.215	0.355	0.355	1.253	1.398	1.488	1.118	1.478	1.488	1.488
	Back side	0.310	0.130	0.050	0.060	0.060	0.010	0.065	0.025	0.030	0.025	0.400	0.365	0.375	0.360	0.450	0.380	0.370
	Right side	0.159	0.310	-	0.150	-	-	-	0.155	-	0.075	0.314	0.234	0.234	0.159	0.469	0.309	0.159
LTE Band 7	Top side	0.702	0.700	0.430	0.710	0.090	-	0.350	0.215	0.355	0.355	1.267	1.412	1.502	1.132	1.492	1.502	1.502
	Back side	0.265	0.130	0.050	0.060	0.060	0.010	0.065	0.025	0.030	0.025	0.355	0.320	0.330	0.315	0.405	0.335	0.325
	Right side	0.023	0.310	-	0.150	-	-	-	0.155	-	0.075	-	0.178	0.098	0.098	0.023	0.333	0.173
LTE Band 42	Top side	0.651	0.700	0.430	0.710	0.090	-	0.350	0.215	0.355	0.355	1.216	1.361	1.451	1.081	1.441	1.451	1.451
	Back side	0.270	0.130	0.050	0.060	0.060	0.010	0.065	0.025	0.030	0.025	0.369	0.334	0.344	0.329	0.419	0.349	0.339
	Right side	0.089	0.310	-	0.150	-	-	-	0.155	-	0.075	-	0.244	0.164	0.164	0.089	0.399	0.239
LTE Band 48	Top side	0.655	0.700	0.430	0.710	0.090	-	0.350	0.215	0.355	0.355	1.220	1.365	1.455	1.085	1.445	1.455	1.455
	Back side	0.206	0.130	0.050	0.060	0.060	0.010	0.065	0.025	0.030	0.025	0.296	0.261	0.271	0.256	0.346	0.276	0.266
	Right side	0.068	0.310	-	0.150	-	-	-	0.155	-	0.075	-	0.223	0.143	0.143	0.068	0.378	0.218
LTE Band 66	Top side	0.685	0.700	0.430	0.710	0.090	-	0.350	0.215	0.355	0.355	1.250	1.395	1.485	1.115	1.475	1.485	1.485
	Back side	0.245	0.130	0.050	0.060	0.060	0.010	0.065	0.025	0.030	0.025	0.335	0.300	0.310	0.295	0.385	0.315	0.305
	Right side	0.210	0.310	-	0.150	-	-	-	0.155	-	0.075	-	0.365	0.285	0.285	0.210	0.520	0.360
NR n2	Top side	0.698	0.700	0.430	0.710	0.090	-	0.350	0.215	0.355	0.355	1.263	1.408	1.498	1.128	1.488	1.498	1.498
	Back side	0.199	0.130	0.050	0.060	0.060	0.010	0.065	0.025	0.030	0.025	0.289	0.254	0.264	0.249	0.339	0.269	0.259
	Right side	0.067	0.310	-	0.150	-	-	-	0.155	-	0.075	-	0.222	0.142	0.142	0.067	0.377	0.217
NR n7	Top side	0.692	0.700	0.430	0.710	0.090	-	0.350	0.215	0.355	0.355	1.257	1.402	1.492	1.122	1.482	1.492	1.492
	Back side	0.124	0.130	0.050	0.060	0.060	0.010	0.065	0.025	0.030	0.025	0.214	0.179	0.189	0.174	0.264	0.194	0.184
	Right side	0.077	0.310	-	0.150	-	-	-	0.155	-	0.075	-	0.232	0.152	0.152	0.077	0.387	0.227
NR n41	Top side	0.676	0.700	0.430	0.710	0.090	-	0.350	0.215	0.355	0.355	1.241	1.386	1.476	1.106	1.466	1.476	1.476
	Back side	0.284	0.130	0.050	0.060	0.060	0.010	0.065	0.025	0.030	0.025	0.374	0.339	0.349	0.334	0.424	0.354	0.344
	Right side	0.047	0.310	-	0.150	-	-	-	0.155	-	0.075	-	0.202	0.122	0.122	0.047	0.357	0.197
NR n41(HPLUE)	Top side	0.747	0.700	0.430	0.710	0.090	-	0.350	0.215	0.355	0.355	1.312	1.457	1.547	1.177	1.537	1.547	1.547
	Back side	0.290	0.130	0.050	0.060	0.060	0.010	0.065	0.025	0.030	0.025	0.390	0.345	0.355	0.340	0.430	0.360	0.350
	Right side	0.082	0.310	-	0.150	-	-	-	0.155	-	0.075	-	0.237	0.157	0.157	0.082	0.392	0.232
NR n66	Top side	0.706	0.700	0.430	0.710	0.090	-	0.350	0.215	0.355	0.355	1.271	1.416	1.506	1.136	1.496	1.506	1.506
	Back side	0.387	0.130	0.050	0.060	0.060	0.010	0.065	0.025	0.030	0.025	0.477	0.442	0.452	0.437	0.527	0.457	0.447
	Right side	0.121	0.310	-	0.150	-	-	-	0.155	-	0.075	-	0.276	0.196	0.196	0.121	0.431	0.271

Conclusion:

Simultaneous transmission SAR measurement (Volume Scan) is not required because either the sum of the 1-g SAR is < 1.6 W/kg or the SPLSR is ≤ 0.04 for all circumstances that require SPLSR calculation.

Unless otherwise stated the results shown in this test report refer only to the sample(s) tested and such sample(s) are retained for 90 days only.

除非另有說明，此報告結果僅對測試之樣品負責，同時此樣品僅保留90天。本報告未經本公司書面許可，不可部份複製。

This document is issued by the Company subject to its General Conditions of Service printed overleaf, available on request or accessible at <http://www.sgs.com.tw/Terms-and-Conditions> and for electronic format documents, subject to Terms and Conditions for Electronic Documents at <http://www.sgs.com.tw/Terms-and-Conditions>. Attention is drawn to the limitation of liability, indemnification and jurisdiction issues defined therein. Any holder of this document is advised that information contained hereon reflects the Company's findings at the time of its intervention only and within the limits of Client's instructions, if any. The Company's sole responsibility is to its Client and this document does not exonerate parties to a transaction from exercising all their rights and obligations under the transaction documents. This document cannot be reproduced except in full, without prior written approval of the Company. Any unauthorized alteration, forgery or falsification of the content or appearance of this document is unlawful and offenders may be prosecuted to the fullest extent of the law.

4. Instruments List

Manufacturer	Device	Type	Serial number	Date of last calibration	Date of next calibration
SPEAG	Dosimetric E-Field Probe	EX3DV4	7509	Mar.25,2020	Mar.24,2021
SPEAG	System Validation Dipole	D750V3	1015	Aug.13,2020	Aug.12,2021
		D835V2	4d063	Aug.13,2020	Aug.12,2021
		D1750V2	1008	Aug.14,2020	Aug.13,2021
		D1900V2	5d173	Apr.22,2020	Apr.21,2021
		D2300V2	1023	Aug.13,2020	Aug.12,2021
		D2600V2	1005	Jan.29,2020	Jan.28,2021
		D3500V2	1009	Aug.12,2020	Aug.11,2021
		D3700V2	1057	Nov.04,2019	Nov.03,2020
SPEAG	Data acquisition Electronics	DAE4	877	Mar.17,2020	Mar.16,2021
SPEAG	Software	DASY 52 V52.10.4	N/A	Calibration not required	Calibration not required
SPEAG	Phantom	ELI	N/A	Calibration not required	Calibration not required
Agilent	Network Analyzer	E5071C	MY46100433	Dec.13,2019	Dec.12,2020
Agilent	Dielectric Probe Kit	85070E	MY44300677	Calibration not required	Calibration not required
Agilent	Dual-directional coupler	772D	MY46151242	Aug.17,2020	Aug.16,2021
		778D	MY48220468	Aug.17,2020	Aug.16,2021
Agilent	RF Signal Generator	N5181A	MY50141235	May.04,2020	May.03,2021
Agilent	Power Meter	E4417A	MY51410006	Mar.09,2020	Mar.08,2021
Agilent	Power Sensor	E9301H	MY51470001	Mar.09,2020	Mar.08,2021
			MY51470002	Mar.09,2020	Mar.08,2021

Unless otherwise stated the results shown in this test report refer only to the sample(s) tested and such sample(s) are retained for 90 days only.

除非另有說明，此報告結果僅對測試之樣品負責，同時此樣品僅保留90天。本報告未經本公司書面許可，不可部份複製。

This document is issued by the Company subject to its General Conditions of Service printed overleaf, available on request or accessible at <http://www.sgs.com.tw/Terms-and-Conditions>, and for electronic format documents, subject to Terms and Conditions for Electronic Documents at <http://www.sgs.com.tw/Terms-and-Conditions>. Attention is drawn to the limitation of liability, indemnification and jurisdiction issues defined therein. Any holder of this document is advised that information contained hereon reflects the Company's findings at the time of its intervention only and within the limits of Client's instructions, if any. The Company's sole responsibility is to its Client and this document does not exonerate parties to a transaction from exercising all their rights and obligations under the transaction documents. This document cannot be reproduced except in full, without prior written approval of the Company. Any unauthorized alteration, forgery or falsification of the content or appearance of this document is unlawful and offenders may be prosecuted to the fullest extent of the law.

Manufacturer	Device	Type	Serial number	Date of last calibration	Date of next calibration
TECPEL	Digital thermometer	DTM-303A	TP130074	Apr.10,2020	Apr.09,2021
Anritsu	Radio Communication Test	MT8820C	6201061049	Dec.08,2019	Dec.07,2020
R&S	Radio Communication Test	CMW 500	125470	Dec.11,2019	Dec.10,2020

Unless otherwise stated the results shown in this test report refer only to the sample(s) tested and such sample(s) are retained for 90 days only.

除非另有說明，此報告結果僅對測試之樣品負責，同時此樣品僅保留90天。本報告未經本公司書面許可，不可部份複製。

This document is issued by the Company subject to its General Conditions of Service printed overleaf, available on request or accessible at <http://www.sgs.com.tw/Terms-and-Conditions> and for electronic format documents, subject to Terms and Conditions for Electronic Documents at <http://www.sgs.com.tw/Terms-and-Conditions>. Attention is drawn to the limitation of liability, indemnification and jurisdiction issues defined therein. Any holder of this document is advised that information contained hereon reflects the Company's findings at the time of its intervention only and within the limits of Client's instructions, if any. The Company's sole responsibility is to its Client and this document does not exonerate parties to a transaction from exercising all their rights and obligations under the transaction documents. This document cannot be reproduced except in full, without prior written approval of the Company. Any unauthorized alteration, forgery or falsification of the content or appearance of this document is unlawful and offenders may be prosecuted to the fullest extent of the law.

SGS Taiwan Ltd. No.134,Wu Kung Road, New Taipei Industrial Park, Wuku District, New Taipei City, Taiwan/新北市五股區新北產業園區五工路 134 號

5. Measurements

Date: 2020/10/7

Report No. : ES202090007

WCDMA Band II_Body_Back side_CH 9400_0mm

Communication System: WCDMA; Frequency: 1880 MHz; Duty cycle= 1:1

Medium parameters used: $f = 1880$ MHz; $\sigma = 1.403$ S/m; $\epsilon_r = 39.568$; $\rho = 1000$ kg/m³

Phantom section: Flat Section

Ambient temperature: 23.4°C; Liquid temperature: 22.3°C

DASY5 Configuration:

- Probe: EX3DV4 - SN7509; ConvF(8.07, 8.07, 8.07) @ 1880 MHz; Calibrated: 2020/03/25
- Sensor-Surface: 2mm (Mechanical Surface Detection)
- Electronics: DAE4 Sn877; Calibrated: 2020/03/17
- Phantom: ELI
- DASY52 52.10.4(1527); SEMCAD X 14.6.14(7483)

Area Scan (81x71x1): Interpolated grid: dx=15 mm, dy=15 mm

Maximum value of SAR (interpolated) = 1.13 W/kg

Zoom Scan (5x5x7)/Cube 0: Measurement grid: dx=8mm, dy=8mm, dz=5mm

Reference Value = 2.152 V/m; Power Drift = 0.09 dB

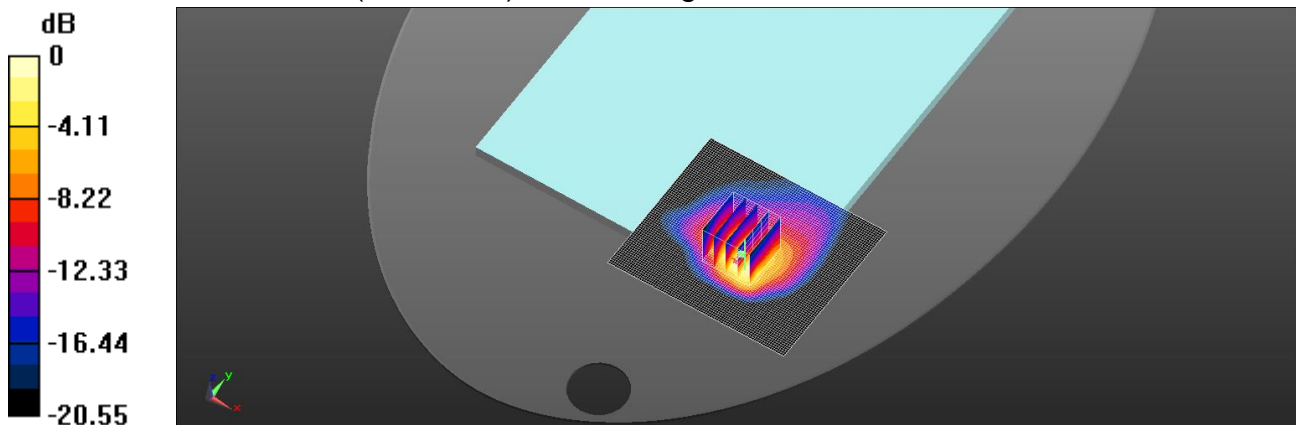
Peak SAR (extrapolated) = 1.61 W/kg

SAR(1 g) = 1.13 W/kg; SAR(10 g) = 0.752 W/kg

Smallest distance from peaks to all points 3 dB below = 8.4 mm

Ratio of SAR at M2 to SAR at M1 = 63.9%

Maximum value of SAR (measured) = 1.04 W/kg



0 dB = 1.04 W/kg = 0.18 dBW/kg

Unless otherwise stated the results shown in this test report refer only to the sample(s) tested and such sample(s) are retained for 90 days only.

除非另有說明，此報告結果僅對測試之樣品負責，同時此樣品僅保留90天。本報告未經本公司書面許可，不可部份複製。

This document is issued by the Company subject to its General Conditions of Service printed overleaf, available on request or accessible at <http://www.sgs.com.tw/Terms-and-Conditions> and for electronic format documents, subject to Terms and Conditions for Electronic Documents at <http://www.sgs.com.tw/Terms-and-Conditions>. Attention is drawn to the limitation of liability, indemnification and jurisdiction issues defined therein. Any holder of this document is advised that information contained hereon reflects the Company's findings at the time of its intervention only and within the limits of Client's instructions, if any. The Company's sole responsibility is to its Client and this document does not exonerate parties to a transaction from exercising all their rights and obligations under the transaction documents. This document cannot be reproduced except in full, without prior written approval of the Company. Any unauthorized alteration, forgery or falsification of the content or appearance of this document is unlawful and offenders may be prosecuted to the fullest extent of the law.

Report No. :ES202090007

WCDMA Band IV_Body_Back side_CH 1312_0mm

Communication System: WCDMA; Frequency: 1712.4 MHz; Duty cycle= 1:1

Medium parameters used: $f = 1712.4 \text{ MHz}$; $\sigma = 1.313 \text{ S/m}$; $\epsilon_r = 41.133$; $\rho = 1000 \text{ kg/m}^3$

Phantom section: Flat Section

Ambient temperature: 23.1°C; Liquid temperature: 22.0°C

DASY5 Configuration:

- Probe: EX3DV4 - SN7509; ConvF(8.34, 8.34, 8.34) @ 1712.4 MHz; Calibrated: 2020/03/25
- Sensor-Surface: 2mm (Mechanical Surface Detection)
- Electronics: DAE4 Sn877; Calibrated: 2020/03/17
- Phantom: ELI
- DASY52 52.10.4(1527); SEMCAD X 14.6.14(7483)

Area Scan (81x71x1): Interpolated grid: dx=15 mm, dy=15 mm

Maximum value of SAR (interpolated) = 1.06 W/kg

Zoom Scan (5x5x7)/Cube 0: Measurement grid: dx=8mm, dy=8mm, dz=5mm

Reference Value = 7.360 V/m; Power Drift = 0.18 dB

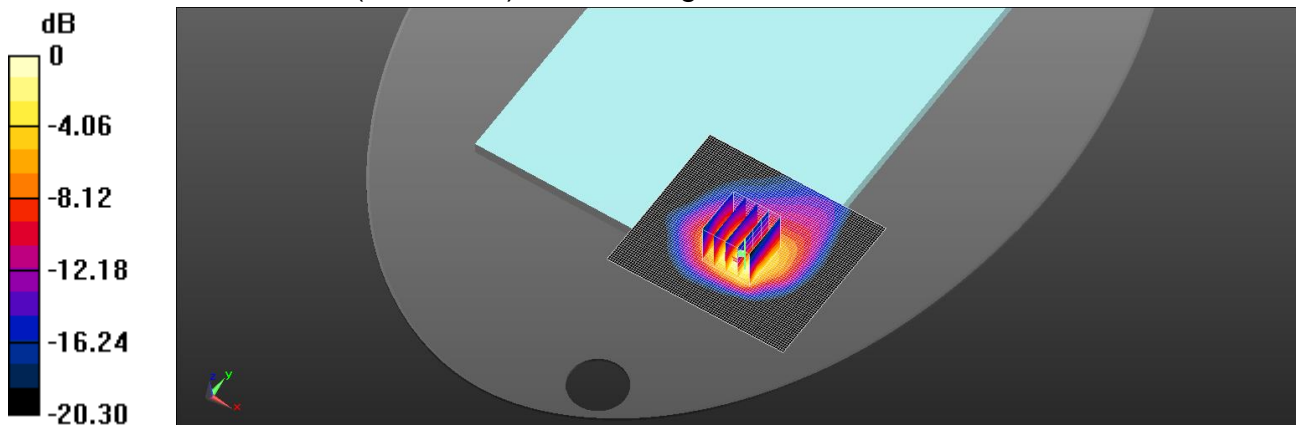
Peak SAR (extrapolated) = 1.57 W/kg

SAR(1 g) = 1.09 W/kg; SAR(10 g) = 0.722 W/kg

Smallest distance from peaks to all points 3 dB below = 9.2 mm

Ratio of SAR at M2 to SAR at M1 = 43.7%

Maximum value of SAR (measured) = 1.05 W/kg



0 dB = 1.05 W/kg = 0.21 dBW/kg

Unless otherwise stated the results shown in this test report refer only to the sample(s) tested and such sample(s) are retained for 90 days only.

除非另有說明，此報告結果僅對測試之樣品負責，同時此樣品僅保留90天。本報告未經本公司書面許可，不可部份複製。

This document is issued by the Company subject to its General Conditions of Service printed overleaf, available on request or accessible at <http://www.sgs.com.tw/Terms-and-Conditions> and for electronic format documents, subject to Terms and Conditions for Electronic Documents at <http://www.sgs.com.tw/Terms-and-Conditions>. Attention is drawn to the limitation of liability, indemnification and jurisdiction issues defined therein. Any holder of this document is advised that information contained hereon reflects the Company's findings at the time of its intervention only and within the limits of Client's instructions, if any. The Company's sole responsibility is to its Client and this document does not exonerate parties to a transaction from exercising all their rights and obligations under the transaction documents. This document cannot be reproduced except in full, without prior written approval of the Company. Any unauthorized alteration, forgery or falsification of the content or appearance of this document is unlawful and offenders may be prosecuted to the fullest extent of the law.

Report No. :ES202090007

WCDMA Band V_Body_Back side_CH 4132_0mm

Communication System: WCDMA; Frequency: 826.4 MHz; Duty cycle= 1:1

Medium parameters used: $f = 826.4 \text{ MHz}$; $\sigma = 0.912 \text{ S/m}$; $\epsilon_r = 42.213$; $\rho = 1000 \text{ kg/m}^3$

Phantom section: Flat Section

Ambient temperature: 22.9°C; Liquid temperature: 23.0°C

DASY5 Configuration:

- Probe: EX3DV4 - SN7509; ConvF(9.73, 9.73, 9.73) @ 826.4 MHz;
Calibrated: 2020/03/25
- Sensor-Surface: 2mm (Mechanical Surface Detection)
- Electronics: DAE4 Sn877; Calibrated: 2020/03/17
- Phantom: ELI
- DASY52 52.10.4(1527); SEMCAD X 14.6.14(7483)

Area Scan (81x71x1): Interpolated grid: dx=15 mm, dy=15 mm

Maximum value of SAR (interpolated) = 1.34 W/kg

Zoom Scan (5x5x7)/Cube 0: Measurement grid: dx=8mm, dy=8mm, dz=5mm

Reference Value = 1.154 V/m; Power Drift = 0.11 dB

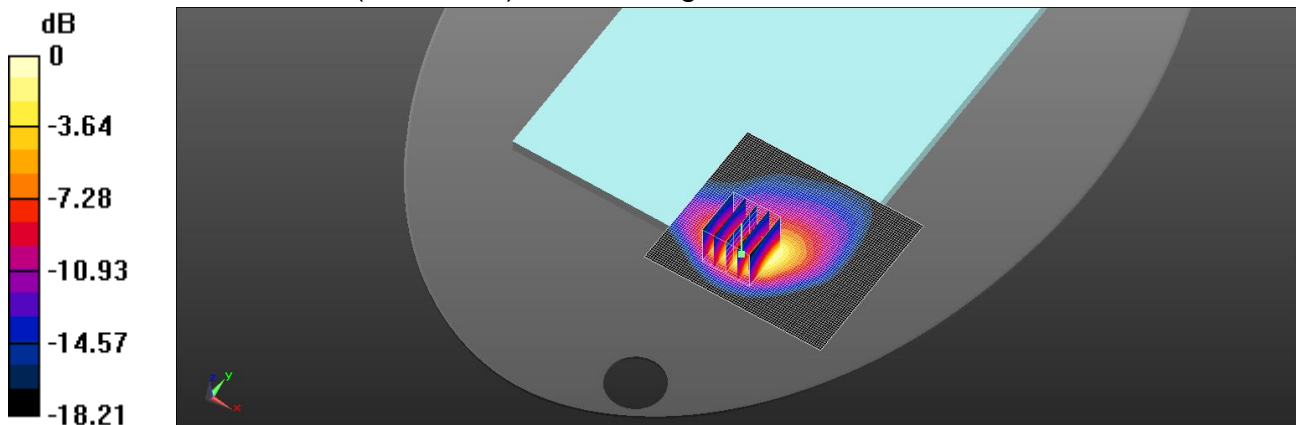
Peak SAR (extrapolated) = 2.01 W/kg

SAR(1 g) = 1.1 W/kg; SAR(10 g) = 0.599 W/kg

Smallest distance from peaks to all points 3 dB below = 9.1 mm

Ratio of SAR at M2 to SAR at M1 = 53%

Maximum value of SAR (measured) = 1.46 W/kg



0 dB = 1.46 W/kg = 1.65 dBW/kg

Unless otherwise stated the results shown in this test report refer only to the sample(s) tested and such sample(s) are retained for 90 days only.
除非另有說明，此報告結果僅對測試之樣品負責，同時此樣品僅保留90天。本報告未經本公司書面許可，不可部份複製。

This document is issued by the Company subject to its General Conditions of Service printed overleaf, available on request or accessible at <http://www.sgs.com.tw/Terms-and-Conditions> and for electronic format documents, subject to Terms and Conditions for Electronic Documents at <http://www.sgs.com.tw/Terms-and-Conditions>. Attention is drawn to the limitation of liability, indemnification and jurisdiction issues defined therein. Any holder of this document is advised that information contained hereon reflects the Company's findings at the time of its intervention only and within the limits of Client's instructions, if any. The Company's sole responsibility is to its Client and this document does not exonerate parties to a transaction from exercising all their rights and obligations under the transaction documents. This document cannot be reproduced except in full, without prior written approval of the Company. Any unauthorized alteration, forgery or falsification of the content or appearance of this document is unlawful and offenders may be prosecuted to the fullest extent of the law.

Report No. :ES202090007

LTE Band 2 (20MHz)_Body_Back side_CH 18900_QPSK_1-0_0mm

Communication System: LTE; Frequency: 1880 MHz; Duty cycle= 1:1

Medium parameters used: $f = 1880 \text{ MHz}$; $\sigma = 1.403 \text{ S/m}$; $\epsilon_r = 39.568$; $\rho = 1000 \text{ kg/m}^3$

Phantom section: Flat Section

Ambient temperature: 23.4°C; Liquid temperature: 22.3°C

DASY5 Configuration:

- Probe: EX3DV4 - SN7509; ConvF(8.07, 8.07, 8.07) @ 1880 MHz; Calibrated: 2020/03/25
- Sensor-Surface: 2mm (Mechanical Surface Detection)
- Electronics: DAE4 Sn877; Calibrated: 2020/03/17
- Phantom: ELI
- DASY52 52.10.4(1527); SEMCAD X 14.6.14(7483)

Area Scan (81x71x1): Interpolated grid: dx=15 mm, dy=15 mm

Maximum value of SAR (interpolated) = 1.13 W/kg

Zoom Scan (5x5x7)/Cube 0: Measurement grid: dx=8mm, dy=8mm, dz=5mm

Reference Value = 8.490 V/m; Power Drift = 0.14 dB

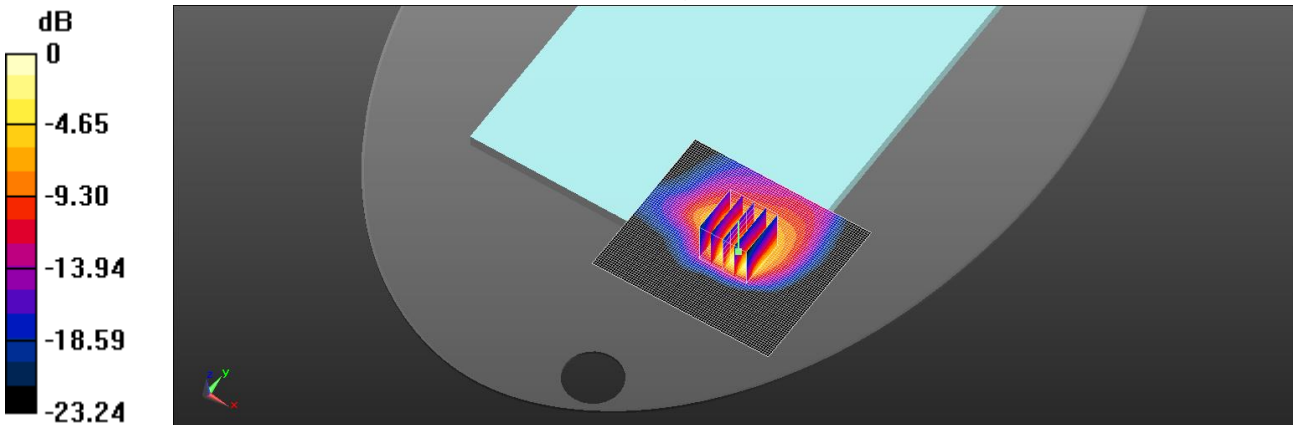
Peak SAR (extrapolated) = 1.67 W/kg

SAR(1 g) = 1.14 W/kg; SAR(10 g) = 0.730 W/kg

Smallest distance from peaks to all points 3 dB below = 8 mm

Ratio of SAR at M2 to SAR at M1 = 73.4%

Maximum value of SAR (measured) = 1.20 W/kg



0 dB = 1.20 W/kg = 0.78 dBW/kg

Unless otherwise stated the results shown in this test report refer only to the sample(s) tested and such sample(s) are retained for 90 days only.

除非另有說明，此報告結果僅對測試之樣品負責，同時此樣品僅保留90天。本報告未經本公司書面許可，不可部份複製。

This document is issued by the Company subject to its General Conditions of Service printed overleaf, available on request or accessible at <http://www.sgs.com.tw/Terms-and-Conditions> and for electronic format documents, subject to Terms and Conditions for Electronic Documents at <http://www.sgs.com.tw/Terms-and-Conditions>. Attention is drawn to the limitation of liability, indemnification and jurisdiction issues defined therein. Any holder of this document is advised that information contained hereon reflects the Company's findings at the time of its intervention only and within the limits of Client's instructions, if any. The Company's sole responsibility is to its Client and this document does not exonerate parties to a transaction from exercising all their rights and obligations under the transaction documents. This document cannot be reproduced except in full, without prior written approval of the Company. Any unauthorized alteration, forgery or falsification of the content or appearance of this document is unlawful and offenders may be prosecuted to the fullest extent of the law.

Report No. :ES202090007

LTE Band 4 (20MHz)_Body_Back side_CH 20300_QPSK_1-0_0mm

Communication System: LTE; Frequency: 1745 MHz; Duty cycle= 1:1

Medium parameters used: $f = 1745 \text{ MHz}$; $\sigma = 1.352 \text{ S/m}$; $\epsilon_r = 40.858$; $\rho = 1000 \text{ kg/m}^3$

Phantom section: Flat Section

Ambient temperature: 23.1°C; Liquid temperature: 22.0°C

DASY5 Configuration:

- Probe: EX3DV4 - SN7509; ConvF(8.34, 8.34, 8.34) @ 1745 MHz; Calibrated: 2020/03/25
- Sensor-Surface: 2mm (Mechanical Surface Detection)
- Electronics: DAE4 Sn877; Calibrated: 2020/03/17
- Phantom: ELI
- DASY52 52.10.4(1527); SEMCAD X 14.6.14(7483)

Area Scan (81x71x1): Interpolated grid: dx=15 mm, dy=15 mm

Maximum value of SAR (interpolated) = 1.24 W/kg

Zoom Scan (5x5x7)/Cube 0: Measurement grid: dx=8mm, dy=8mm, dz=5mm

Reference Value = 9.170 V/m; Power Drift = 0.17 dB

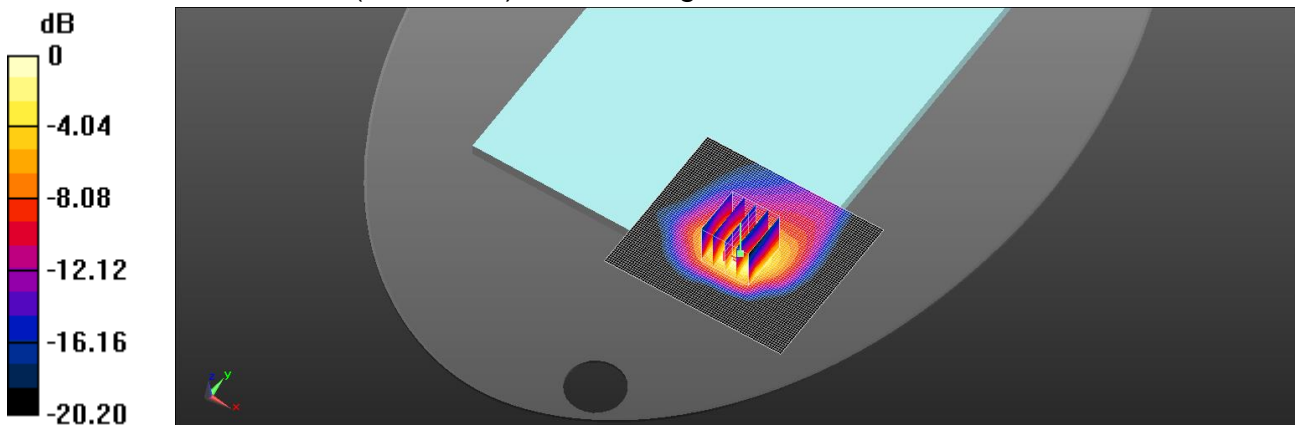
Peak SAR (extrapolated) = 1.65 W/kg

SAR(1 g) = 1.12 W/kg; SAR(10 g) = 0.727 W/kg

Smallest distance from peaks to all points 3 dB below = 8.5 mm

Ratio of SAR at M2 to SAR at M1 = 66.6%

Maximum value of SAR (measured) = 1.10 W/kg



0 dB = 1.10 W/kg = 0.42 dBW/kg

Unless otherwise stated the results shown in this test report refer only to the sample(s) tested and such sample(s) are retained for 90 days only.

除非另有說明，此報告結果僅對測試之樣品負責，同時此樣品僅保留90天。本報告未經本公司書面許可，不可部份複製。

This document is issued by the Company subject to its General Conditions of Service printed overleaf, available on request or accessible at <http://www.sgs.com.tw/Terms-and-Conditions> and for electronic format documents, subject to Terms and Conditions for Electronic Documents at <http://www.sgs.com.tw/Terms-and-Conditions>. Attention is drawn to the limitation of liability, indemnification and jurisdiction issues defined therein. Any holder of this document is advised that information contained hereon reflects the Company's findings at the time of its intervention only and within the limits of Client's instructions, if any. The Company's sole responsibility is to its Client and this document does not exonerate parties to a transaction from exercising all their rights and obligations under the transaction documents. This document cannot be reproduced except in full, without prior written approval of the Company. Any unauthorized alteration, forgery or falsification of the content or appearance of this document is unlawful and offenders may be prosecuted to the fullest extent of the law.

Report No. :ES202090007

LTE Band 5 (10MHz)_Body_Back side_CH 20450_QPSK_1-0_0mm

Communication System: LTE; Frequency: 829 MHz; Duty cycle= 1:1

Medium parameters used: $f = 829 \text{ MHz}$; $\sigma = 0.913 \text{ S/m}$; $\epsilon_r = 42.144$; $\rho = 1000 \text{ kg/m}^3$

Phantom section: Flat Section

Ambient temperature: 22.9°C; Liquid temperature: 23.0°C

DASY5 Configuration:

- Probe: EX3DV4 - SN3770; ConvF(9.5, 9.5, 9.5) @ 829 MHz; Calibrated: 2020/05/27
- Sensor-Surface: 2mm (Mechanical Surface Detection)
- Electronics: DAE4 Sn558; Calibrated: 2019/10/11
- Phantom: ELI
- DASY52 52.10.4(1527); SEMCAD X 14.6.14(7483)

Area Scan (81x71x1): Interpolated grid: $dx=15 \text{ mm}$, $dy=15 \text{ mm}$

Maximum value of SAR (interpolated) = 1.26 W/kg

Zoom Scan (5x5x7)/Cube 0: Measurement grid: $dx=8\text{mm}$, $dy=8\text{mm}$, $dz=5\text{mm}$

Reference Value = 7.280 V/m; Power Drift = 0.11 dB

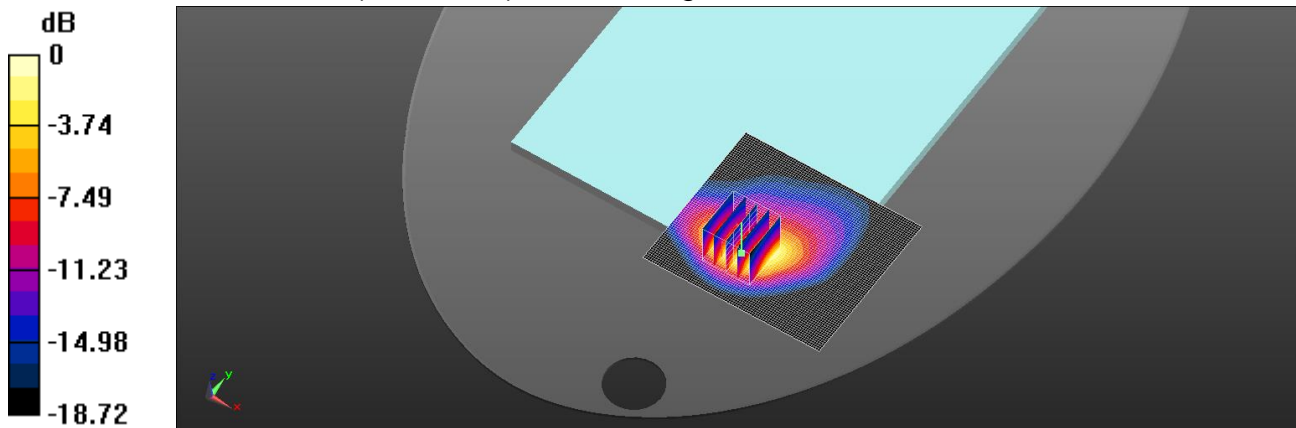
Peak SAR (extrapolated) = 2.05 W/kg

SAR(1 g) = 1.08 W/kg; SAR(10 g) = 0.582 W/kg

Smallest distance from peaks to all points 3 dB below = 8.4 mm

Ratio of SAR at M2 to SAR at M1 = 51.3%

Maximum value of SAR (measured) = 1.50 W/kg



0 dB = 1.50 W/kg = 1.75 dBW/kg

Unless otherwise stated the results shown in this test report refer only to the sample(s) tested and such sample(s) are retained for 90 days only.

除非另有說明，此報告結果僅對測試之樣品負責，同時此樣品僅保留90天。本報告未經本公司書面許可，不可部份複製。

This document is issued by the Company subject to its General Conditions of Service printed overleaf, available on request or accessible at <http://www.sgs.com.tw/Terms-and-Conditions> and for electronic format documents, subject to Terms and Conditions for Electronic Documents at <http://www.sgs.com.tw/Terms-and-Conditions>. Attention is drawn to the limitation of liability, indemnification and jurisdiction issues defined therein. Any holder of this document is advised that information contained hereon reflects the Company's findings at the time of its intervention only and within the limits of Client's instructions, if any. The Company's sole responsibility is to its Client and this document does not exonerate parties to a transaction from exercising all their rights and obligations under the transaction documents. This document cannot be reproduced except in full, without prior written approval of the Company. Any unauthorized alteration, forgery or falsification of the content or appearance of this document is unlawful and offenders may be prosecuted to the fullest extent of the law.

Report No. :ES202090007

LTE Band 7 (20MHz)_Body_Back side_CH 21100_QPSK_1-0_0mm

Communication System: LTE; Frequency: 2535 MHz; Duty cycle= 1:1

Medium parameters used: $f = 2535 \text{ MHz}$; $\sigma = 1.851 \text{ S/m}$; $\epsilon_r = 38.497$; $\rho = 1000 \text{ kg/m}^3$

Phantom section: Flat Section

Ambient temperature: 22.3°C; Liquid temperature: 22.7°C

DASY5 Configuration:

- Probe: EX3DV4 - SN7509; ConvF(7.23, 7.23, 7.23) @ 2535 MHz; Calibrated: 2020/03/25
- Sensor-Surface: 2mm (Mechanical Surface Detection)
- Electronics: DAE4 Sn877; Calibrated: 2020/03/17
- Phantom: ELI
- DASY52 52.10.4(1527); SEMCAD X 14.6.14(7483)

Area Scan (101x81x1): Interpolated grid: dx=12 mm, dy=12 mm

Maximum value of SAR (interpolated) = 0.866 W/kg

Zoom Scan (7x7x7)/Cube 0: Measurement grid: dx=5mm, dy=5mm, dz=5mm

Reference Value = 4.780 V/m; Power Drift = 0.12 dB

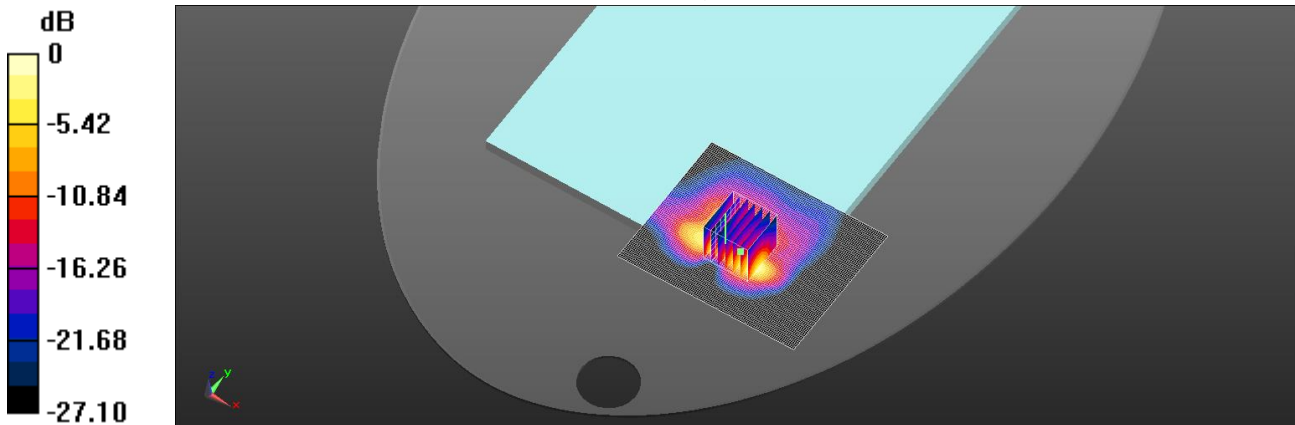
Peak SAR (extrapolated) = 1.85 W/kg

SAR(1 g) = 1.1 W/kg; SAR(10 g) = 0.675 W/kg

Smallest distance from peaks to all points 3 dB below = 5.2 mm

Ratio of SAR at M2 to SAR at M1 = 50.8%

Maximum value of SAR (measured) = 0.951 W/kg



0 dB = 0.951 W/kg = -0.22 dBW/kg

Unless otherwise stated the results shown in this test report refer only to the sample(s) tested and such sample(s) are retained for 90 days only.

除非另有說明，此報告結果僅對測試之樣品負責，同時此樣品僅保留90天。本報告未經本公司書面許可，不可部份複製。

This document is issued by the Company subject to its General Conditions of Service printed overleaf, available on request or accessible at <http://www.sgs.com.tw/Terms-and-Conditions> and for electronic format documents, subject to Terms and Conditions for Electronic Documents at <http://www.sgs.com.tw/Terms-and-Conditions>. Attention is drawn to the limitation of liability, indemnification and jurisdiction issues defined therein. Any holder of this document is advised that information contained hereon reflects the Company's findings at the time of its intervention only and within the limits of Client's instructions, if any. The Company's sole responsibility is to its Client and this document does not exonerate parties to a transaction from exercising all their rights and obligations under the transaction documents. This document cannot be reproduced except in full, without prior written approval of the Company. Any unauthorized alteration, forgery or falsification of the content or appearance of this document is unlawful and offenders may be prosecuted to the fullest extent of the law.

Report No. :ES202090007

LTE Band 12 (10MHz)_Body_Back side_CH 23095_QPSK_1-0_0mm

Communication System: LTE; Frequency: 707.5 MHz; Duty cycle= 1:1

Medium parameters used: $f = 707.5 \text{ MHz}$; $\sigma = 0.876 \text{ S/m}$; $\epsilon_r = 42.842$; $\rho = 1000 \text{ kg/m}^3$

Phantom section: Flat Section

Ambient temperature: 22.5°C; Liquid temperature: 22.8°C

DASY5 Configuration:

- Probe: EX3DV4 - SN7509; ConvF(9.94, 9.94, 9.94) @ 707.5 MHz;
Calibrated: 2020/03/25
- Sensor-Surface: 2mm (Mechanical Surface Detection)
- Electronics: DAE4 Sn877; Calibrated: 2020/03/17
- Phantom: ELI
- DASY52 52.10.4(1527); SEMCAD X 14.6.14(7483)

Area Scan (81x71x1): Interpolated grid: $dx=15 \text{ mm}$, $dy=15 \text{ mm}$

Maximum value of SAR (interpolated) = 1.22 W/kg

Zoom Scan (5x5x7)/Cube 0: Measurement grid: $dx=8\text{mm}$, $dy=8\text{mm}$, $dz=5\text{mm}$

Reference Value = 2.354 V/m; Power Drift = 0.18 dB

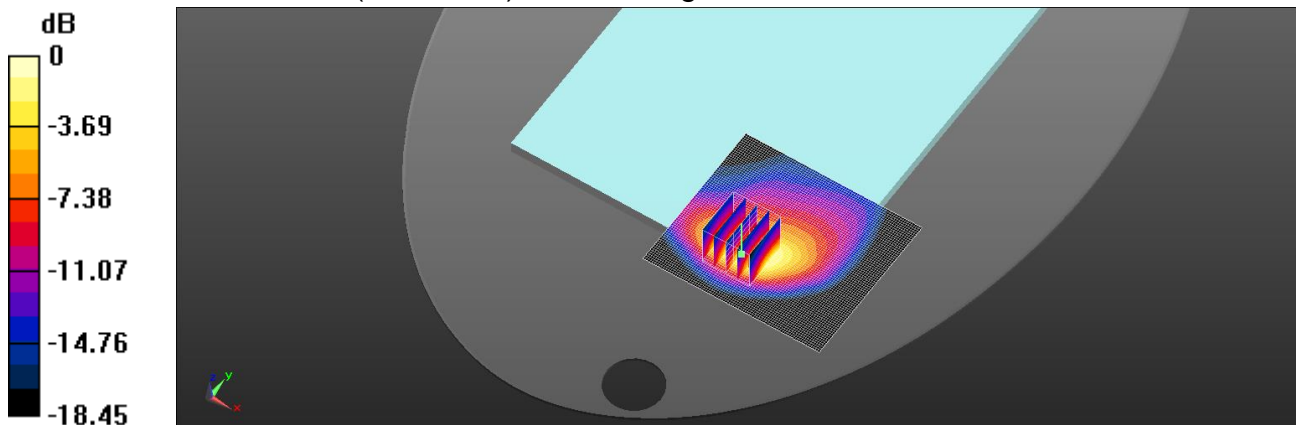
Peak SAR (extrapolated) = 2.02 W/kg

SAR(1 g) = 1.12 W/kg; SAR(10 g) = 0.643 W/kg

Smallest distance from peaks to all points 3 dB below = 9 mm

Ratio of SAR at M2 to SAR at M1 = 50.8%

Maximum value of SAR (measured) = 1.42 W/kg



0 dB = 1.42 W/kg = 1.52 dBW/kg

Unless otherwise stated the results shown in this test report refer only to the sample(s) tested and such sample(s) are retained for 90 days only.
除非另有說明，此報告結果僅對測試之樣品負責，同時此樣品僅保留90天。本報告未經本公司書面許可，不可部份複製。

This document is issued by the Company subject to its General Conditions of Service printed overleaf, available on request or accessible at <http://www.sgs.com.tw/Terms-and-Conditions> and for electronic format documents, subject to Terms and Conditions for Electronic Documents at <http://www.sgs.com.tw/Terms-and-Conditions>. Attention is drawn to the limitation of liability, indemnification and jurisdiction issues defined therein. Any holder of this document is advised that information contained hereon reflects the Company's findings at the time of its intervention only and within the limits of Client's instructions, if any. The Company's sole responsibility is to its Client and this document does not exonerate parties to a transaction from exercising all their rights and obligations under the transaction documents. This document cannot be reproduced except in full, without prior written approval of the Company. Any unauthorized alteration, forgery or falsification of the content or appearance of this document is unlawful and offenders may be prosecuted to the fullest extent of the law.

Report No. :ES202090007

LTE Band 13 (10MHz)_Body_Back side_CH 23230_QPSK_1-0_0mm

Communication System: LTE; Frequency: 782 MHz; Duty cycle= 1:1

Medium parameters used: $f = 782 \text{ MHz}$; $\sigma = 0.905 \text{ S/m}$; $\epsilon_r = 42.345$; $\rho = 1000 \text{ kg/m}^3$

Phantom section: Flat Section

Ambient temperature: 22.5°C; Liquid temperature: 22.8°C

DASY5 Configuration:

- Probe: EX3DV4 - SN7509; ConvF(9.94, 9.94, 9.94) @ 782 MHz;
Calibrated: 2020/03/25
- Sensor-Surface: 2mm (Mechanical Surface Detection)
- Electronics: DAE4 Sn877; Calibrated: 2020/03/17
- Phantom: ELI
- DASY52 52.10.4(1527); SEMCAD X 14.6.14(7483)

Area Scan (81x71x1): Interpolated grid: $dx=15 \text{ mm}$, $dy=15 \text{ mm}$

Maximum value of SAR (interpolated) = 1.42 W/kg

Zoom Scan (5x5x7)/Cube 0: Measurement grid: $dx=8\text{mm}$, $dy=8\text{mm}$, $dz=5\text{mm}$

Reference Value = 1.149 V/m; Power Drift = 0.19 dB

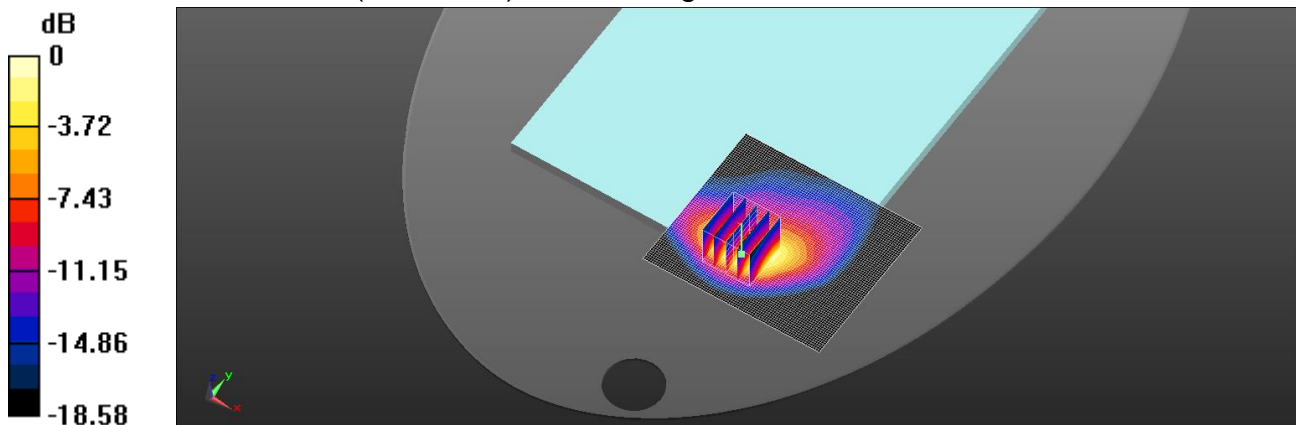
Peak SAR (extrapolated) = 2.33 W/kg

SAR(1 g) = 1.19 W/kg; SAR(10 g) = 0.634 W/kg

Smallest distance from peaks to all points 3 dB below = 8.4 mm

Ratio of SAR at M2 to SAR at M1 = 41.1%

Maximum value of SAR (measured) = 1.69 W/kg



0 dB = 1.69 W/kg = 2.27 dBW/kg

Unless otherwise stated the results shown in this test report refer only to the sample(s) tested and such sample(s) are retained for 90 days only.

除非另有說明，此報告結果僅對測試之樣品負責，同時此樣品僅保留90天。本報告未經本公司書面許可，不可部份複製。

This document is issued by the Company subject to its General Conditions of Service printed overleaf, available on request or accessible at <http://www.sgs.com.tw/Terms-and-Conditions> and for electronic format documents, subject to Terms and Conditions for Electronic Documents at <http://www.sgs.com.tw/Terms-and-Conditions>. Attention is drawn to the limitation of liability, indemnification and jurisdiction issues defined therein. Any holder of this document is advised that information contained hereon reflects the Company's findings at the time of its intervention only and within the limits of Client's instructions, if any. The Company's sole responsibility is to its Client and this document does not exonerate parties to a transaction from exercising all their rights and obligations under the transaction documents. This document cannot be reproduced except in full, without prior written approval of the Company. Any unauthorized alteration, forgery or falsification of the content or appearance of this document is unlawful and offenders may be prosecuted to the fullest extent of the law.

Report No. :ES202090007

LTE Band 14 (10MHz)_Body_Back side_CH 23330_QPSK_1-0_0mm

Communication System: LTE; Frequency: 793 MHz; Duty cycle= 1:1

Medium parameters used: $f = 793 \text{ MHz}$; $\sigma = 0.908 \text{ S/m}$; $\epsilon_r = 42.317$; $\rho = 1000 \text{ kg/m}^3$

Phantom section: Flat Section

Ambient temperature: 22.5°C; Liquid temperature: 22.8°C

DASY5 Configuration:

- Probe: EX3DV4 - SN7509; ConvF(9.94, 9.94, 9.94) @ 793 MHz;
Calibrated: 2020/03/25
- Sensor-Surface: 2mm (Mechanical Surface Detection)
- Electronics: DAE4 Sn877; Calibrated: 2020/03/17
- Phantom: ELI
- DASY52 52.10.4(1527); SEMCAD X 14.6.14(7483)

Area Scan (81x71x1): Interpolated grid: dx=15 mm, dy=15 mm

Maximum value of SAR (interpolated) = 1.37 W/kg

Zoom Scan (5x5x7)/Cube 0: Measurement grid: dx=8mm, dy=8mm, dz=5mm

Reference Value = 1.330 V/m; Power Drift = 0.12 dB

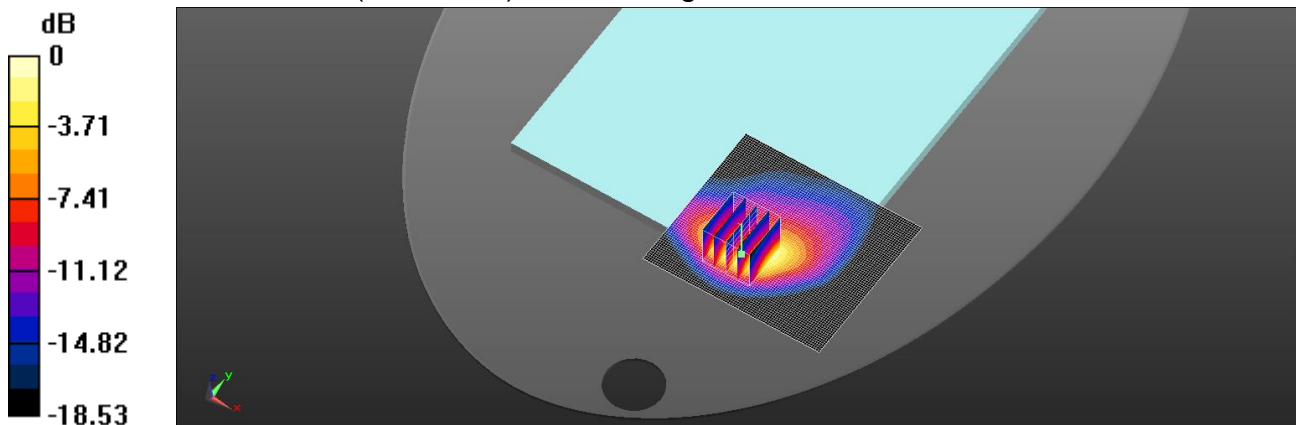
Peak SAR (extrapolated) = 2.25 W/kg

SAR(1 g) = 1.16 W/kg; SAR(10 g) = 0.620 W/kg

Smallest distance from peaks to all points 3 dB below = 8.4 mm

Ratio of SAR at M2 to SAR at M1 = 61.1%

Maximum value of SAR (measured) = 1.63 W/kg



0 dB = 1.63 W/kg = 2.12 dBW/kg

Unless otherwise stated the results shown in this test report refer only to the sample(s) tested and such sample(s) are retained for 90 days only.

除非另有說明，此報告結果僅對測試之樣品負責，同時此樣品僅保留90天。本報告未經本公司書面許可，不可部份複製。

This document is issued by the Company subject to its General Conditions of Service printed overleaf, available on request or accessible at <http://www.sgs.com.tw/Terms-and-Conditions> and for electronic format documents, subject to Terms and Conditions for Electronic Documents at <http://www.sgs.com.tw/Terms-and-Conditions>. Attention is drawn to the limitation of liability, indemnification and jurisdiction issues defined therein. Any holder of this document is advised that information contained hereon reflects the Company's findings at the time of its intervention only and within the limits of Client's instructions, if any. The Company's sole responsibility is to its Client and this document does not exonerate parties to a transaction from exercising all their rights and obligations under the transaction documents. This document cannot be reproduced except in full, without prior written approval of the Company. Any unauthorized alteration, forgery or falsification of the content or appearance of this document is unlawful and offenders may be prosecuted to the fullest extent of the law.

Report No. :ES202090007

LTE Band 17 (10MHz)_Body_Back side_CH 23790_QPSK_1-0_0mm

Communication System: LTE; Frequency: 710 MHz; Duty cycle= 1:1

Medium parameters used: $f = 710 \text{ MHz}$; $\sigma = 0.884 \text{ S/m}$; $\epsilon_r = 42.742$; $\rho = 1000 \text{ kg/m}^3$

Phantom section: Flat Section

Ambient temperature: 22.5°C; Liquid temperature: 22.8°C

DASY5 Configuration:

- Probe: EX3DV4 - SN7509; ConvF(9.94, 9.94, 9.94) @ 710 MHz;
Calibrated: 2020/03/25
- Sensor-Surface: 2mm (Mechanical Surface Detection)
- Electronics: DAE4 Sn877; Calibrated: 2020/03/17
- Phantom: ELI
- DASY52 52.10.4(1527); SEMCAD X 14.6.14(7483)

Area Scan (81x71x1): Interpolated grid: $dx=15 \text{ mm}$, $dy=15 \text{ mm}$

Maximum value of SAR (interpolated) = 1.62 W/kg

Zoom Scan (5x5x7)/Cube 0: Measurement grid: $dx=8\text{mm}$, $dy=8\text{mm}$, $dz=5\text{mm}$

Reference Value = 2.566 V/m; Power Drift = 0.11 dB

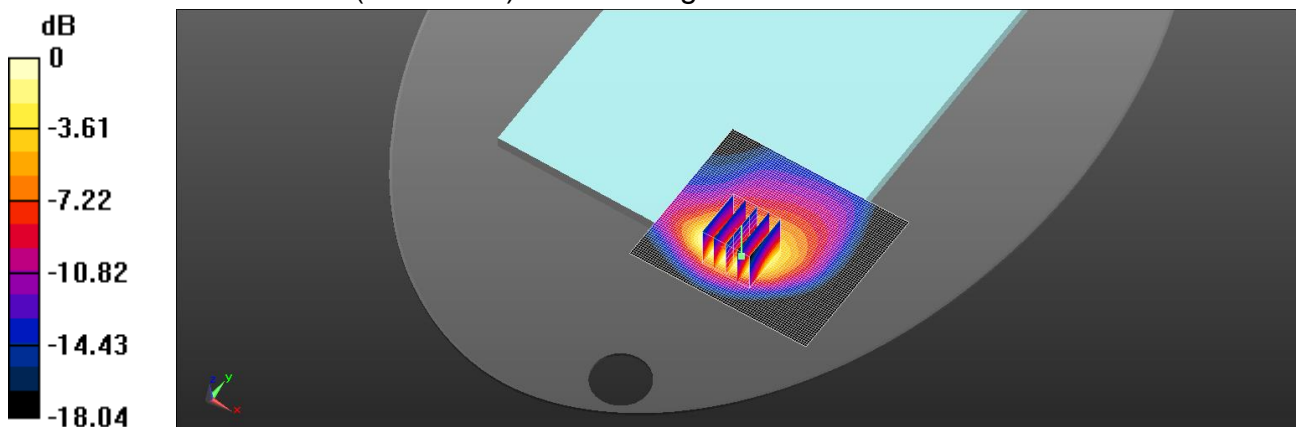
Peak SAR (extrapolated) = 2.16 W/kg

SAR(1 g) = 1.19 W/kg; SAR(10 g) = 0.672 W/kg

Smallest distance from peaks to all points 3 dB below = 8.4 mm

Ratio of SAR at M2 to SAR at M1 = 52.5%

Maximum value of SAR (measured) = 1.54 W/kg



0 dB = 1.54 W/kg = 1.89 dBW/kg

Unless otherwise stated the results shown in this test report refer only to the sample(s) tested and such sample(s) are retained for 90 days only.

除非另有說明，此報告結果僅對測試之樣品負責，同時此樣品僅保留90天。本報告未經本公司書面許可，不可部份複製。

This document is issued by the Company subject to its General Conditions of Service printed overleaf, available on request or accessible at <http://www.sgs.com.tw/Terms-and-Conditions> and for electronic format documents, subject to Terms and Conditions for Electronic Documents at <http://www.sgs.com.tw/Terms-and-Conditions>. Attention is drawn to the limitation of liability, indemnification and jurisdiction issues defined therein. Any holder of this document is advised that information contained herein reflects the Company's findings at the time of its intervention only and within the limits of Client's instructions, if any. The Company's sole responsibility is to its Client and this document does not exonerate parties to a transaction from exercising all their rights and obligations under the transaction documents. This document cannot be reproduced except in full, without prior written approval of the Company. Any unauthorized alteration, forgery or falsification of the content or appearance of this document is unlawful and offenders may be prosecuted to the fullest extent of the law.

Report No. :ES202090007

LTE Band 25 (20MHz)_Body_Back side_CH 26140_QPSK_1-0_0mm

Communication System: LTE; Frequency: 1860 MHz; Duty cycle= 1:1

Medium parameters used: $f = 1860$ MHz; $\sigma = 1.394$ S/m; $\epsilon_r = 39.719$; $\rho = 1000$ kg/m³

Phantom section: Flat Section

Ambient temperature: 23.4°C; Liquid temperature: 22.3°C

DASY5 Configuration:

- Probe: EX3DV4 - SN7509; ConvF(8.07, 8.07, 8.07) @ 1860 MHz; Calibrated: 2020/03/25
- Sensor-Surface: 2mm (Mechanical Surface Detection)
- Electronics: DAE4 Sn877; Calibrated: 2020/03/17
- Phantom: ELI
- DASY52 52.10.4(1527); SEMCAD X 14.6.14(7483)

Area Scan (81x71x1): Interpolated grid: dx=15 mm, dy=15 mm

Maximum value of SAR (interpolated) = 0.965 W/kg

Zoom Scan (5x5x7)/Cube 0: Measurement grid: dx=8mm, dy=8mm, dz=5mm

Reference Value = 7.990 V/m; Power Drift = 0.13 dB

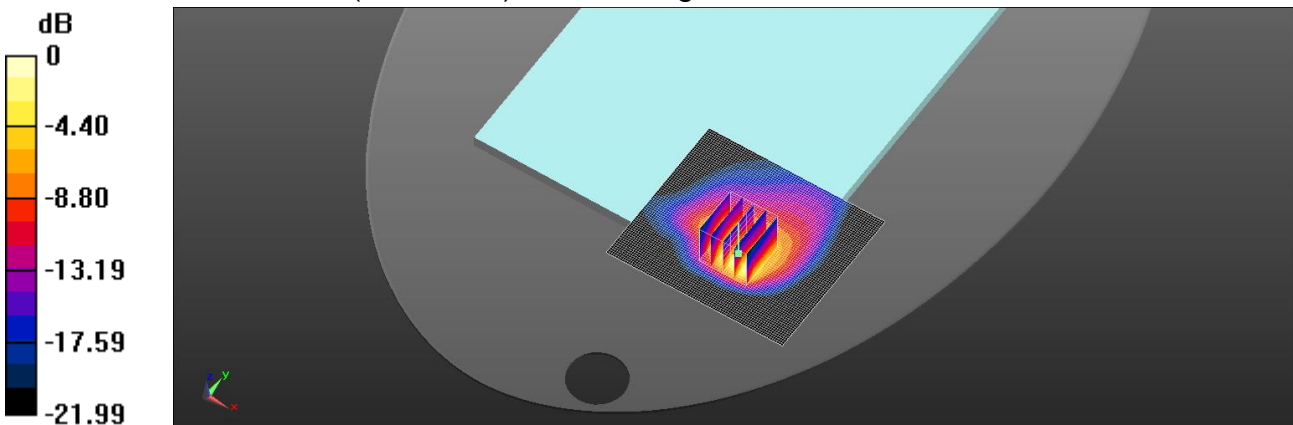
Peak SAR (extrapolated) = 1.48 W/kg

SAR(1 g) = 1.03 W/kg; SAR(10 g) = 0.691 W/kg

Smallest distance from peaks to all points 3 dB below = 8.2 mm

Ratio of SAR at M2 to SAR at M1 = 53.6%

Maximum value of SAR (measured) = 1.07 W/kg



0 dB = 1.07 W/kg = 0.29 dBW/kg

Unless otherwise stated the results shown in this test report refer only to the sample(s) tested and such sample(s) are retained for 90 days only.

除非另有說明，此報告結果僅對測試之樣品負責，同時此樣品僅保留90天。本報告未經本公司書面許可，不可部份複製。

This document is issued by the Company subject to its General Conditions of Service printed overleaf, available on request or accessible at <http://www.sgs.com.tw/Terms-and-Conditions> and for electronic format documents, subject to Terms and Conditions for Electronic Documents at <http://www.sgs.com.tw/Terms-and-Conditions>. Attention is drawn to the limitation of liability, indemnification and jurisdiction issues defined therein. Any holder of this document is advised that information contained hereon reflects the Company's findings at the time of its intervention only and within the limits of Client's instructions, if any. The Company's sole responsibility is to its Client and this document does not exonerate parties to a transaction from exercising all their rights and obligations under the transaction documents. This document cannot be reproduced except in full, without prior written approval of the Company. Any unauthorized alteration, forgery or falsification of the content or appearance of this document is unlawful and offenders may be prosecuted to the fullest extent of the law.

Report No. :ES202090007

LTE Band 26 (15MHz)_Body_Back side_CH 26765_QPSK_1-0_0mm

Communication System: LTE; Frequency: 821.5 MHz; Duty cycle= 1:1

Medium parameters used: $f = 821.5 \text{ MHz}$; $\sigma = 0.911 \text{ S/m}$; $\epsilon_r = 42.238$; $\rho = 1000 \text{ kg/m}^3$

Phantom section: Flat Section

Ambient temperature: 22.9°C; Liquid temperature: 23.0°C

DASY5 Configuration:

- Probe: EX3DV4 - SN7509; ConvF(9.73, 9.73, 9.73) @ 821.5 MHz;
Calibrated: 2020/03/25
- Sensor-Surface: 2mm (Mechanical Surface Detection)
- Electronics: DAE4 Sn877; Calibrated: 2020/03/17
- Phantom: ELI
- DASY52 52.10.4(1527); SEMCAD X 14.6.14(7483)

Area Scan (81x71x1): Interpolated grid: $dx=15 \text{ mm}$, $dy=15 \text{ mm}$

Maximum value of SAR (interpolated) = 1.72 W/kg

Zoom Scan (5x5x7)/Cube 0: Measurement grid: $dx=8\text{mm}$, $dy=8\text{mm}$, $dz=5\text{mm}$

Reference Value = 1.120 V/m; Power Drift = 0.11 dB

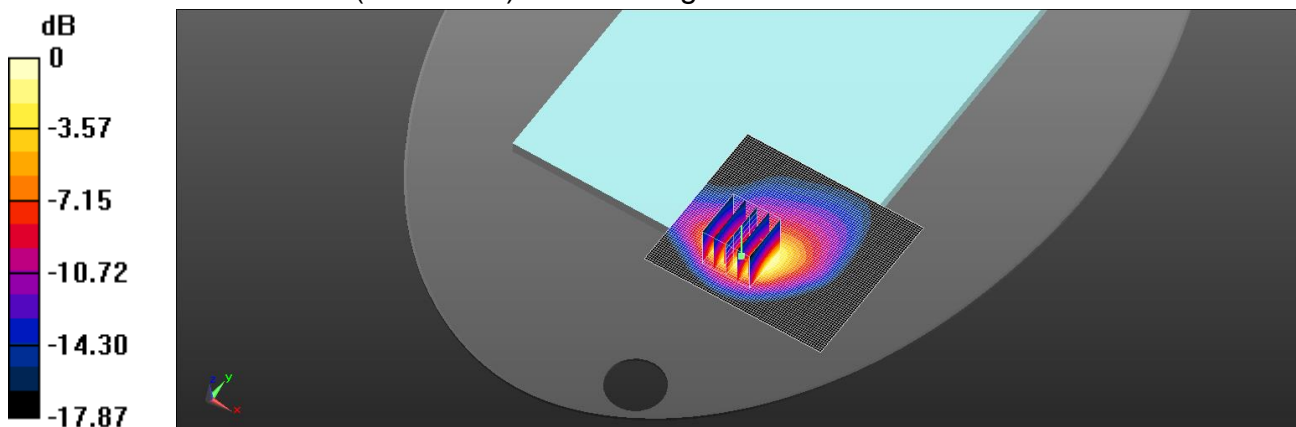
Peak SAR (extrapolated) = 2.31 W/kg

SAR(1 g) = 1.2 W/kg; SAR(10 g) = 0.630 W/kg

Smallest distance from peaks to all points 3 dB below = 8.8 mm

Ratio of SAR at M2 to SAR at M1 = 61.3%

Maximum value of SAR (measured) = 1.72 W/kg



0 dB = 1.72 W/kg = 2.36 dBW/kg

Unless otherwise stated the results shown in this test report refer only to the sample(s) tested and such sample(s) are retained for 90 days only.
除非另有說明，此報告結果僅對測試之樣品負責，同時此樣品僅保留90天。本報告未經本公司書面許可，不可部份複製。

This document is issued by the Company subject to its General Conditions of Service printed overleaf, available on request or accessible at <http://www.sgs.com.tw/Terms-and-Conditions> and for electronic format documents, subject to Terms and Conditions for Electronic Documents at <http://www.sgs.com.tw/Terms-and-Conditions>. Attention is drawn to the limitation of liability, indemnification and jurisdiction issues defined therein. Any holder of this document is advised that information contained hereon reflects the Company's findings at the time of its intervention only and within the limits of Client's instructions, if any. The Company's sole responsibility is to its Client and this document does not exonerate parties to a transaction from exercising all their rights and obligations under the transaction documents. This document cannot be reproduced except in full, without prior written approval of the Company. Any unauthorized alteration, forgery or falsification of the content or appearance of this document is unlawful and offenders may be prosecuted to the fullest extent of the law.

Report No. :ES202090007

LTE Band 30 (10MHz)_Body_Back side_CH 27710_QPSK_1-0_0mm

Communication System: LTE; Frequency: 2310 MHz; Duty cycle= 1:1

Medium parameters used: $f = 2310 \text{ MHz}$; $\sigma = 1.687 \text{ S/m}$; $\epsilon_r = 38.872$; $\rho = 1000 \text{ kg/m}^3$

Phantom section: Flat Section

Ambient temperature: 23.0°C; Liquid temperature: 23.1°C

DASY5 Configuration:

- Probe: EX3DV4 - SN7509; ConvF(7.76, 7.76, 7.76) @ 2310 MHz; Calibrated: 2020/03/25
- Sensor-Surface: 2mm (Mechanical Surface Detection)
- Electronics: DAE4 Sn877; Calibrated: 2020/03/17
- Phantom: ELI
- DASY52 52.10.4(1527); SEMCAD X 14.6.14(7483)

Area Scan (101x81x1): Interpolated grid: $dx=12 \text{ mm}$, $dy=12 \text{ mm}$

Maximum value of SAR (interpolated) = 1.25 W/kg

Zoom Scan (7x7x7)/Cube 0: Measurement grid: $dx=5\text{mm}$, $dy=5\text{mm}$, $dz=5\text{mm}$

Reference Value = 6.110 V/m; Power Drift = 0.12 dB

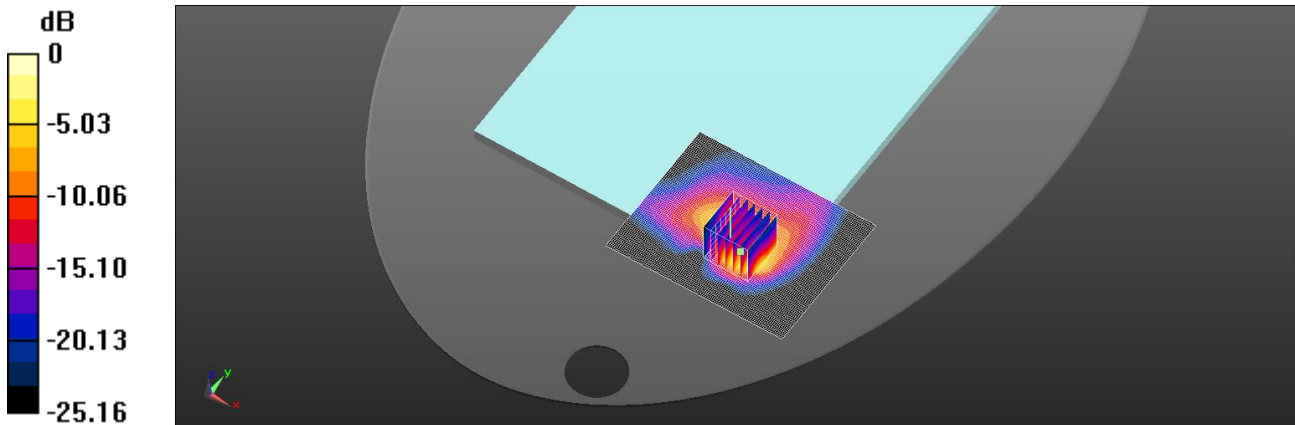
Peak SAR (extrapolated) = 1.89 W/kg

SAR(1 g) = 1.14 W/kg; SAR(10 g) = 0.669 W/kg

Smallest distance from peaks to all points 3 dB below = 6.7 mm

Ratio of SAR at M2 to SAR at M1 = 52.5%

Maximum value of SAR (measured) = 1.24 W/kg



0 dB = 1.24 W/kg = 0.93 dBW/kg

Unless otherwise stated the results shown in this test report refer only to the sample(s) tested and such sample(s) are retained for 90 days only.

除非另有說明，此報告結果僅對測試之樣品負責，同時此樣品僅保留90天。本報告未經本公司書面許可，不可部份複製。

This document is issued by the Company subject to its General Conditions of Service printed overleaf, available on request or accessible at <http://www.sgs.com.tw/Terms-and-Conditions> and for electronic format documents, subject to Terms and Conditions for Electronic Documents at <http://www.sgs.com.tw/Terms-and-Conditions>. Attention is drawn to the limitation of liability, indemnification and jurisdiction issues defined therein. Any holder of this document is advised that information contained hereon reflects the Company's findings at the time of its intervention only and within the limits of Client's instructions, if any. The Company's sole responsibility is to its Client and this document does not exonerate parties to a transaction from exercising all their rights and obligations under the transaction documents. This document cannot be reproduced except in full, without prior written approval of the Company. Any unauthorized alteration, forgery or falsification of the content or appearance of this document is unlawful and offenders may be prosecuted to the fullest extent of the law.

Report No. :ES202090007

LTE Band 38 (20MHz)_Body_Back side_CH 38000_QPSK_1-0_0mm

Communication System: LTE; Frequency: 2595 MHz; Duty cycle= 1:1.59956

Medium parameters used: $f = 2595$ MHz; $\sigma = 1.917$ S/m; $\epsilon_r = 38.135$; $\rho = 1000$ kg/m³

Phantom section: Flat Section

Ambient temperature: 22.3°C; Liquid temperature: 22.7°C

DASY5 Configuration:

- Probe: EX3DV4 - SN7509; ConvF(7.23, 7.23, 7.23) @ 2595 MHz; Calibrated: 2020/03/25
- Sensor-Surface: 2mm (Mechanical Surface Detection)
- Electronics: DAE4 Sn877; Calibrated: 2020/03/17
- Phantom: ELI
- DASY52 52.10.4(1527); SEMCAD X 14.6.14(74833)

Area Scan (101x81x1): Interpolated grid: dx=12 mm, dy=12 mm

Maximum value of SAR (interpolated) = 0.968 W/kg

Zoom Scan (7x7x7)/Cube 0: Measurement grid: dx=5mm, dy=5mm, dz=5mm

Reference Value = 1.674 V/m; Power Drift = 0.08 dB

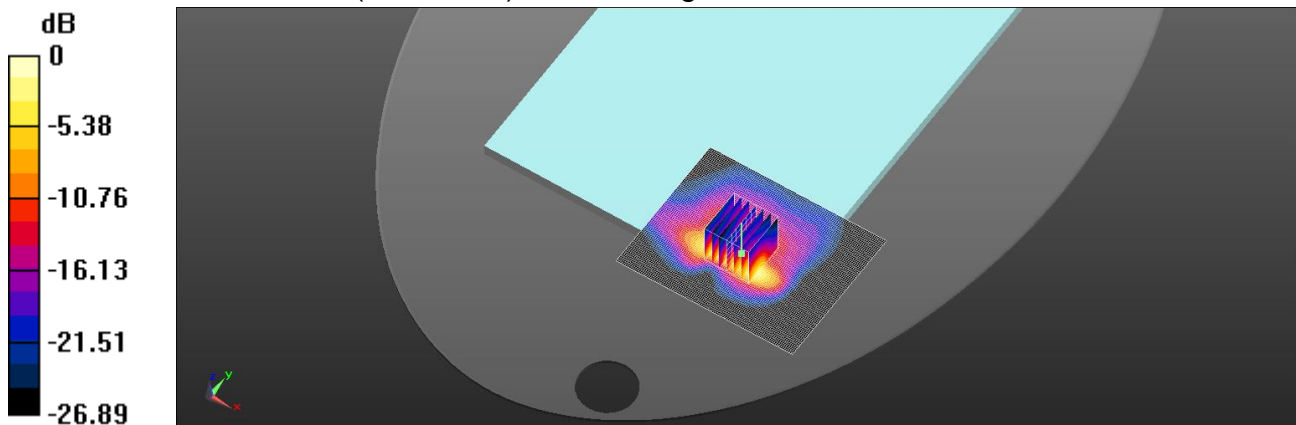
Peak SAR (extrapolated) = 2.06 W/kg

SAR(1 g) = 1.15 W/kg; SAR(10 g) = 0.635 W/kg

Smallest distance from peaks to all points 3 dB below = 6 mm

Ratio of SAR at M2 to SAR at M1 = 68.2%

Maximum value of SAR (measured) = 1.20 W/kg



0 dB = 1.20 W/kg = 0.79 dBW/kg

Unless otherwise stated the results shown in this test report refer only to the sample(s) tested and such sample(s) are retained for 90 days only.

除非另有說明，此報告結果僅對測試之樣品負責，同時此樣品僅保留90天。本報告未經本公司書面許可，不可部份複製。

This document is issued by the Company subject to its General Conditions of Service printed overleaf, available on request or accessible at <http://www.sgs.com.tw/Terms-and-Conditions> and for electronic format documents, subject to Terms and Conditions for Electronic Documents at <http://www.sgs.com.tw/Terms-and-Conditions>. Attention is drawn to the limitation of liability, indemnification and jurisdiction issues defined therein. Any holder of this document is advised that information contained hereon reflects the Company's findings at the time of its intervention only and within the limits of Client's instructions, if any. The Company's sole responsibility is to its Client and this document does not exonerate parties to a transaction from exercising all their rights and obligations under the transaction documents. This document cannot be reproduced except in full, without prior written approval of the Company. Any unauthorized alteration, forgery or falsification of the content or appearance of this document is unlawful and offenders may be prosecuted to the fullest extent of the law.

Report No. :ES202090007

LTE Band 41 (20MHz)_Body_Back side_CH 40620_QPSK_1-0_0mm

Communication System: LTE; Frequency: 2593 MHz; Duty cycle= 1:1.59956

Medium parameters used: $f = 2593$ MHz; $\sigma = 1.909$ S/m; $\epsilon_r = 38.141$; $\rho = 1000$ kg/m³

Phantom section: Flat Section

Ambient temperature: 22.3°C; Liquid temperature: 22.7°C

DASY5 Configuration:

- Probe: EX3DV4 - SN7509; ConvF(7.23, 7.23, 7.23) @ 2539 MHz; Calibrated: 2020/03/25
- Sensor-Surface: 2mm (Mechanical Surface Detection)
- Electronics: DAE4 Sn877; Calibrated: 2020/03/17
- Phantom: ELI
- DASY52 52.10.4(1527); SEMCAD X 14.6.14(7483)

Area Scan (101x81x1): Interpolated grid: dx=12 mm, dy=12 mm

Maximum value of SAR (interpolated) = 1.04 W/kg

Zoom Scan (7x7x7)/Cube 0: Measurement grid: dx=5mm, dy=5mm, dz=5mm

Reference Value = 1.862 V/m; Power Drift = 0.16 dB

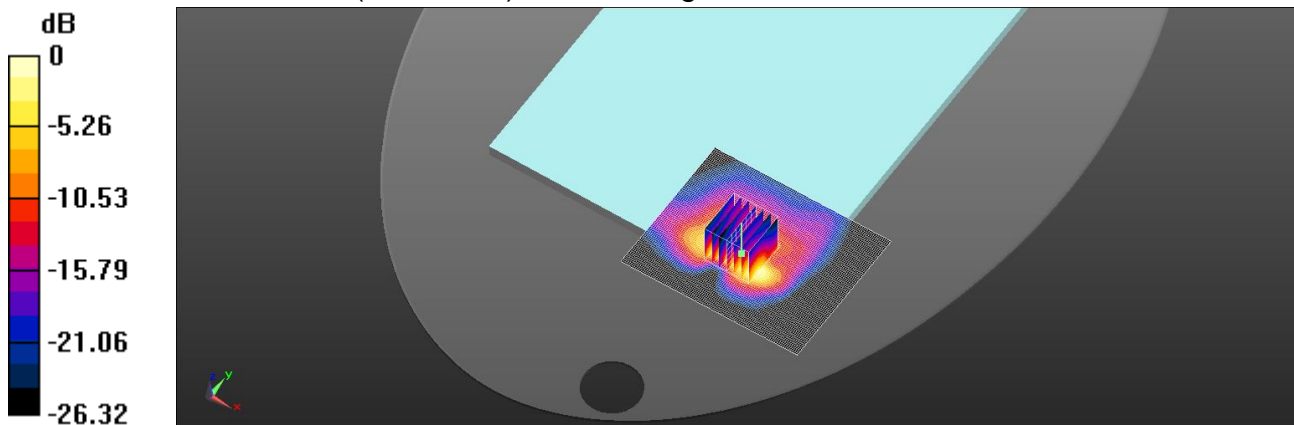
Peak SAR (extrapolated) = 1.99 W/kg

SAR(1 g) = 1.13 W/kg; SAR(10 g) = 0.644 W/kg

Smallest distance from peaks to all points 3 dB below = 6 mm

Ratio of SAR at M2 to SAR at M1 = 50.1%

Maximum value of SAR (measured) = 1.13 W/kg



0 dB = 1.13 W/kg = 0.53 dBW/kg

Unless otherwise stated the results shown in this test report refer only to the sample(s) tested and such sample(s) are retained for 90 days only.
 除非另有說明，此報告結果僅對測試之樣品負責，同時此樣品僅保留90天。本報告未經本公司書面許可，不可部份複製。

This document is issued by the Company subject to its General Conditions of Service printed overleaf, available on request or accessible at <http://www.sgs.com.tw/Terms-and-Conditions> and for electronic format documents, subject to Terms and Conditions for Electronic Documents at <http://www.sgs.com.tw/Terms-and-Conditions>. Attention is drawn to the limitation of liability, indemnification and jurisdiction issues defined therein. Any holder of this document is advised that information contained hereon reflects the Company's findings at the time of its intervention only and within the limits of Client's instructions, if any. The Company's sole responsibility is to its Client and this document does not exonerate parties to a transaction from exercising all their rights and obligations under the transaction documents. This document cannot be reproduced except in full, without prior written approval of the Company. Any unauthorized alteration, forgery or falsification of the content or appearance of this document is unlawful and offenders may be prosecuted to the fullest extent of the law.

Report No. :ES202090007

LTE Band 41 (20MHz)_Body_Back side_CH 41055_QPSK_1-0_0mm_HPUE

Communication System: LTE; Frequency: 2636.5 MHz; Duty cycle= 1:1.59956

Medium parameters used: $f = 2636.5$ MHz; $\sigma = 1.989$ S/m; $\epsilon_r = 38.030$; $\rho = 1000$ kg/m³

Phantom section: Flat Section

Ambient temperature: 22.3°C; Liquid temperature: 22.7°C

DASY5 Configuration:

- Probe: EX3DV4 - SN7509; ConvF(7.23, 7.23, 7.23) @ 2636.5 MHz; Calibrated: 2020/03/25
- Sensor-Surface: 2mm (Mechanical Surface Detection)
- Electronics: DAE4 Sn877; Calibrated: 2020/03/17
- Phantom: ELI
- DASY52 52.10.4(1527); SEMCAD X 14.6.14(7483)

Area Scan (101x81x1): Interpolated grid: dx=12 mm, dy=12 mm

Maximum value of SAR (interpolated) = 1.06 W/kg

Zoom Scan (7x7x7)/Cube 0: Measurement grid: dx=5mm, dy=5mm, dz=5mm

Reference Value = 1.749 V/m; Power Drift = 0.14 dB

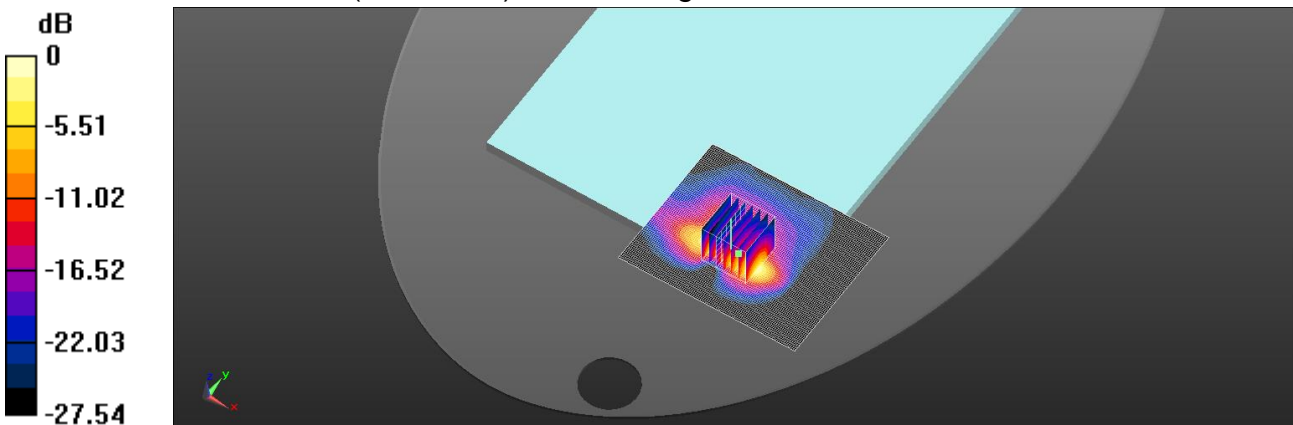
Peak SAR (extrapolated) = 2.23 W/kg

SAR(1 g) = 1.17 W/kg; SAR(10 g) = 0.620 W/kg

Smallest distance from peaks to all points 3 dB below = 6 mm

Ratio of SAR at M2 to SAR at M1 = 65.3%

Maximum value of SAR (measured) = 1.27 W/kg



0 dB = 1.27 W/kg = 1.05 dBW/kg

Unless otherwise stated the results shown in this test report refer only to the sample(s) tested and such sample(s) are retained for 90 days only.

除非另有說明，此報告結果僅對測試之樣品負責，同時此樣品僅保留90天。本報告未經本公司書面許可，不可部份複製。

This document is issued by the Company subject to its General Conditions of Service printed overleaf, available on request or accessible at <http://www.sgs.com.tw/Terms-and-Conditions> and for electronic format documents, subject to Terms and Conditions for Electronic Documents at <http://www.sgs.com.tw/Terms-and-Conditions>. Attention is drawn to the limitation of liability, indemnification and jurisdiction issues defined therein. Any holder of this document is advised that information contained hereon reflects the Company's findings at the time of its intervention only and within the limits of Client's instructions, if any. The Company's sole responsibility is to its Client and this document does not exonerate parties to a transaction from exercising all their rights and obligations under the transaction documents. This document cannot be reproduced except in full, without prior written approval of the Company. Any unauthorized alteration, forgery or falsification of the content or appearance of this document is unlawful and offenders may be prosecuted to the fullest extent of the law.

Report No. :ES202090007

LTE Band 66 (20MHz)_Body_Back side_CH 132072_QPSK_1-0_0mm

Communication System: LTE; Frequency: 1720 MHz; Duty cycle= 1:1

Medium parameters used: $f = 1720$ MHz; $\sigma = 1.354$ S/m; $\epsilon_r = 41.018$; $\rho = 1000$ kg/m³

Phantom section: Flat Section

Ambient temperature: 23.1°C; Liquid temperature: 22.0°C

DASY5 Configuration:

- Probe: EX3DV4 - SN7509; ConvF(8.34, 8.34, 8.34) @ 1720 MHz; Calibrated: 2020/03/25
- Sensor-Surface: 2mm (Mechanical Surface Detection)
- Electronics: DAE4 Sn877; Calibrated: 2020/03/17
- Phantom: ELI
- DASY52 52.10.4(1527); SEMCAD X 14.6.14(7483)

Area Scan (81x71x1): Interpolated grid: dx=15 mm, dy=15 mm

Maximum value of SAR (interpolated) = 1.03 W/kg

Zoom Scan (5x5x7)/Cube 0: Measurement grid: dx=8mm, dy=8mm, dz=5mm

Reference Value = 1.635 V/m; Power Drift = 0.07 dB

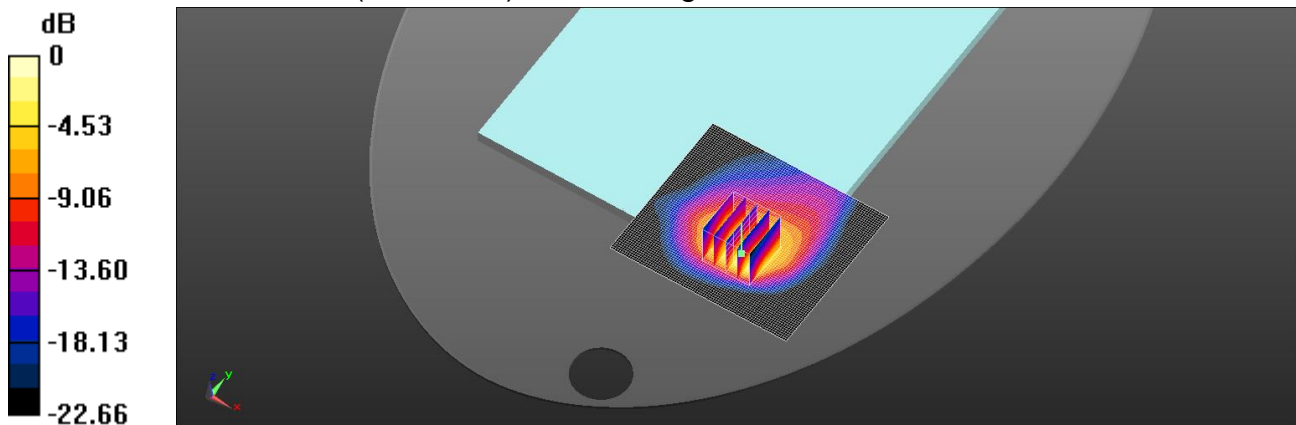
Peak SAR (extrapolated) = 1.63 W/kg

SAR(1 g) = 1.13 W/kg; SAR(10 g) = 0.738 W/kg

Smallest distance from peaks to all points 3 dB below = 8 mm

Ratio of SAR at M2 to SAR at M1 = 45.5%

Maximum value of SAR (measured) = 1.21 W/kg



0 dB = 1.21 W/kg = 0.82 dBW/kg

Unless otherwise stated the results shown in this test report refer only to the sample(s) tested and such sample(s) are retained for 90 days only.

除非另有說明，此報告結果僅對測試之樣品負責，同時此樣品僅保留90天。本報告未經本公司書面許可，不可部份複製。

This document is issued by the Company subject to its General Conditions of Service printed overleaf, available on request or accessible at <http://www.sgs.com.tw/Terms-and-Conditions> and for electronic format documents, subject to Terms and Conditions for Electronic Documents at <http://www.sgs.com.tw/Terms-and-Conditions>. Attention is drawn to the limitation of liability, indemnification and jurisdiction issues defined therein. Any holder of this document is advised that information contained hereon reflects the Company's findings at the time of its intervention only and within the limits of Client's instructions, if any. The Company's sole responsibility is to its Client and this document does not exonerate parties to a transaction from exercising all their rights and obligations under the transaction documents. This document cannot be reproduced except in full, without prior written approval of the Company. Any unauthorized alteration, forgery or falsification of the content or appearance of this document is unlawful and offenders may be prosecuted to the fullest extent of the law.

Report No. :ES202090007

5G NR n2 (20MHz)_Body_Back side_CH 372000_BPSK_1-1_0mm

Communication System: 5G NR(20MHz,Pi/2 BPSK,15kHz); Frequency: 1860 MHz; Duty cycle= 1:1

Medium parameters used: $f = 1860 \text{ MHz}$; $\sigma = 1.394 \text{ S/m}$; $\epsilon_r = 39.719$; $\rho = 1000 \text{ kg/m}^3$

Phantom section: Flat Section

Ambient temperature: 23.4°C; Liquid temperature: 22.3°C

DASY5 Configuration:

- Probe: EX3DV4 - SN7509; ConvF(8.07, 8.07, 8.07) @ 1860 MHz; Calibrated: 2020/03/25
- Sensor-Surface: 2mm (Mechanical Surface Detection)
- Electronics: DAE4 Sn877; Calibrated: 2020/03/17
- Phantom: ELI
- DASY52 52.10.4(1527); SEMCAD X 14.6.14(7483)

Area Scan (81x71x1): Interpolated grid: $dx=15 \text{ mm}$, $dy=15 \text{ mm}$

Maximum value of SAR (interpolated) = 1.09 W/kg

Zoom Scan (5x5x7)/Cube 0: Measurement grid: $dx=8\text{mm}$, $dy=8\text{mm}$, $dz=5\text{mm}$

Reference Value = 7.900 V/m; Power Drift = 0.16 dB

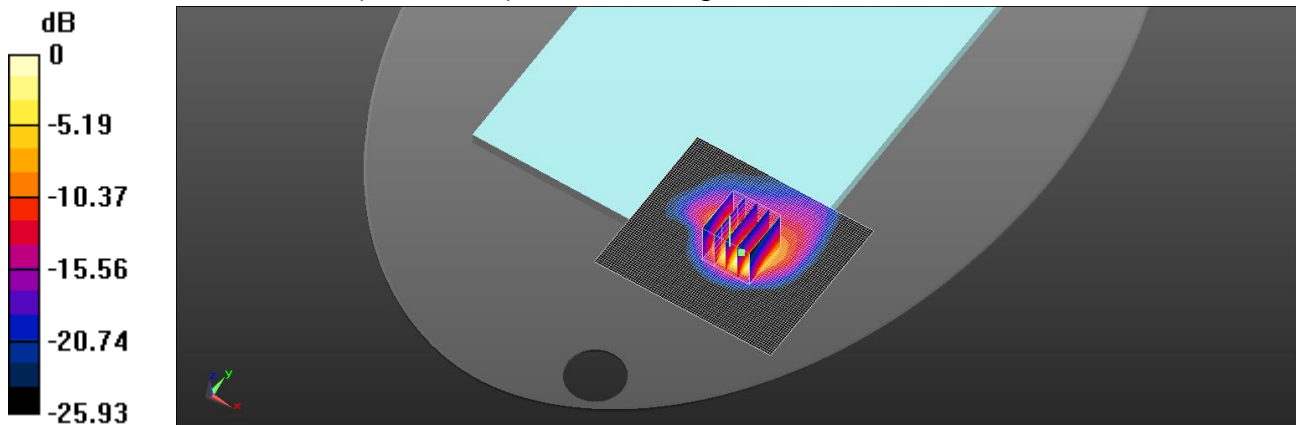
Peak SAR (extrapolated) = 1.65 W/kg

SAR(1 g) = 1.15 W/kg; SAR(10 g) = 0.751 W/kg

Smallest distance from peaks to all points 3 dB below = 9.4 mm

Ratio of SAR at M2 to SAR at M1 = 57.8%

Maximum value of SAR (measured) = 0.968 W/kg



0 dB = 0.968 W/kg = -0.14 dBW/kg

Unless otherwise stated the results shown in this test report refer only to the sample(s) tested and such sample(s) are retained for 90 days only.

除非另有說明，此報告結果僅對測試之樣品負責，同時此樣品僅保留90天。本報告未經本公司書面許可，不可部份複製。

This document is issued by the Company subject to its General Conditions of Service printed overleaf, available on request or accessible at <http://www.sgs.com.tw/Terms-and-Conditions> and for electronic format documents, subject to Terms and Conditions for Electronic Documents at <http://www.sgs.com.tw/Terms-and-Conditions>. Attention is drawn to the limitation of liability, indemnification and jurisdiction issues defined therein. Any holder of this document is advised that information contained hereon reflects the Company's findings at the time of its intervention only and within the limits of Client's instructions, if any. The Company's sole responsibility is to its Client and this document does not exonerate parties to a transaction from exercising all their rights and obligations under the transaction documents. This document cannot be reproduced except in full, without prior written approval of the Company. Any unauthorized alteration, forgery or falsification of the content or appearance of this document is unlawful and offenders may be prosecuted to the fullest extent of the law.

Report No. :ES202090007

5G NR n5 (20MHz)_Body_Back side_CH 166800_BPSK_1-1_0mm

Communication System: 5G NR(20MHz, Pi/2 BPSK, 15kHz); Frequency: 839 MHz; Duty cycle= 1:1

Medium parameters used: $f = 839 \text{ MHz}$; $\sigma = 0.933 \text{ S/m}$; $\epsilon_r = 41.767$; $\rho = 1000 \text{ kg/m}^3$

Phantom section: Flat Section

Ambient temperature: 22.9°C; Liquid temperature: 23.0°C

DASY5 Configuration:

- Probe: EX3DV4 - SN7509; ConvF(9.73, 9.73, 9.73) @ 839 MHz;
Calibrated: 2020/03/25
- Sensor-Surface: 2mm (Mechanical Surface Detection)
- Electronics: DAE4 Sn877; Calibrated: 2020/03/17
- Phantom: ELI
- DASY52 52.10.4(1527); SEMCAD X 14.6.14(7483)

Area Scan (81x71x1): Interpolated grid: dx=15 mm, dy=15 mm

Maximum value of SAR (interpolated) = 1.46 W/kg

Zoom Scan (5x5x7)/Cube 0: Measurement grid: dx=8mm, dy=8mm, dz=5mm

Reference Value = 7.240 V/m; Power Drift = 0.12 dB

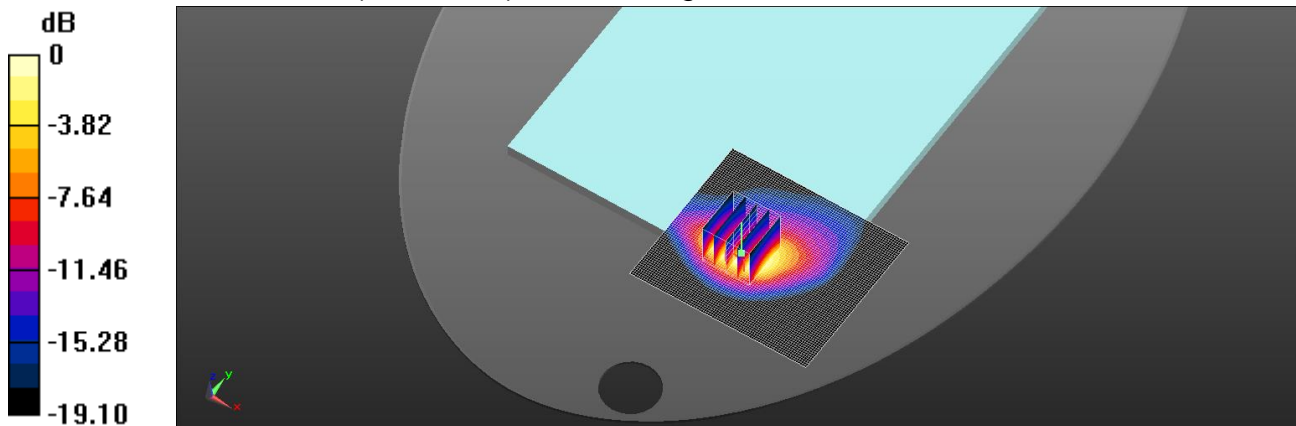
Peak SAR (extrapolated) = 2.03 W/kg

SAR(1 g) = 1.03 W/kg; SAR(10 g) = 0.551 W/kg

Smallest distance from peaks to all points 3 dB below = 8.8 mm

Ratio of SAR at M2 to SAR at M1 = 54.9%

Maximum value of SAR (measured) = 1.18 W/kg



0 dB = 1.18 W/kg = 0.74 dBW/kg

Unless otherwise stated the results shown in this test report refer only to the sample(s) tested and such sample(s) are retained for 90 days only.

除非另有說明，此報告結果僅對測試之樣品負責，同時此樣品僅保留90天。本報告未經本公司書面許可，不可部份複製。

This document is issued by the Company subject to its General Conditions of Service printed overleaf, available on request or accessible at <http://www.sgs.com.tw/Terms-and-Conditions> and for electronic format documents, subject to Terms and Conditions for Electronic Documents at <http://www.sgs.com.tw/Terms-and-Conditions>. Attention is drawn to the limitation of liability, indemnification and jurisdiction issues defined therein. Any holder of this document is advised that information contained herein reflects the Company's findings at the time of its intervention only and within the limits of Client's instructions, if any. The Company's sole responsibility is to its Client and this document does not exonerate parties to a transaction from exercising all their rights and obligations under the transaction documents. This document cannot be reproduced except in full, without prior written approval of the Company. Any unauthorized alteration, forgery or falsification of the content or appearance of this document is unlawful and offenders may be prosecuted to the fullest extent of the law.

Report No. :ES202090007

5G NR n12 (15MHz)_Body_Back side_CH 141700_BPSK_1-1_0mm

Communication System: 5G NR(15MHz, Pi/2 BPSK,15kHz; Frequency: 708.5 MHz; Duty cycle= 1:1

Medium parameters used: $f = 708.5 \text{ MHz}$; $\sigma = 0.880 \text{ S/m}$; $\epsilon_r = 42.830$; $\rho = 1000 \text{ kg/m}^3$

Phantom section: Flat Section

Ambient temperature: 22.5°C; Liquid temperature: 22..8°C

DASY5 Configuration:

- Probe: EX3DV4 - SN7509; ConvF(9.94, 9.94, 9.94) @ 708.5 MHz;
Calibrated: 2020/03/25
- Sensor-Surface: 2mm (Mechanical Surface Detection)
- Electronics: DAE4 Sn877; Calibrated: 2020/03/17
- Phantom: ELI
- DASY52 52.10.4(1527); SEMCAD X 14.6.14(7483)

Area Scan (81x71x1): Interpolated grid: dx=15 mm, dy=15 mm

Maximum value of SAR (interpolated) = 1.65 W/kg

Zoom Scan (5x5x7)/Cube 0: Measurement grid: dx=8mm, dy=8mm, dz=5mm

Reference Value = 2.104 V/m; Power Drift = 0.15 dB

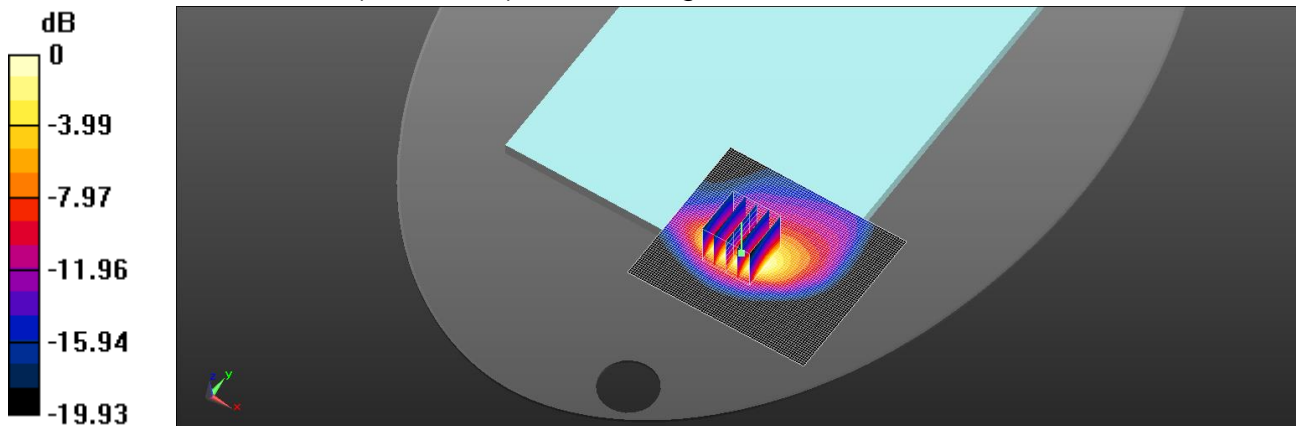
Peak SAR (extrapolated) = 2.29 W/kg

SAR(1 g) = 1.19 W/kg; SAR(10 g) = 0.667 W/kg

Smallest distance from peaks to all points 3 dB below = 8.4 mm

Ratio of SAR at M2 to SAR at M1 = 60%

Maximum value of SAR (measured) = 1.31 W/kg



0 dB = 1.31 W/kg = 1.18 dBW/kg

Unless otherwise stated the results shown in this test report refer only to the sample(s) tested and such sample(s) are retained for 90 days only.

除非另有說明，此報告結果僅對測試之樣品負責，同時此樣品僅保留90天。本報告未經本公司書面許可，不可部份複製。

This document is issued by the Company subject to its General Conditions of Service printed overleaf, available on request or accessible at <http://www.sgs.com.tw/Terms-and-Conditions> and for electronic format documents, subject to Terms and Conditions for Electronic Documents at <http://www.sgs.com.tw/Terms-and-Conditions>. Attention is drawn to the limitation of liability, indemnification and jurisdiction issues defined therein. Any holder of this document is advised that information contained herein reflects the Company's findings at the time of its intervention only and within the limits of Client's instructions, if any. The Company's sole responsibility is to its Client and this document does not exonerate parties to a transaction from exercising all their rights and obligations under the transaction documents. This document cannot be reproduced except in full, without prior written approval of the Company. Any unauthorized alteration, forgery or falsification of the content or appearance of this document is unlawful and offenders may be prosecuted to the fullest extent of the law.

Report No. :ES202090007

5G NR n66 (20MHz)_Body_Back side_CH 344000_BPSK_1-1_0mm

Communication System: 5G NR(20MHz,Pi/2 BPSK,15kHz); Frequency: 1720 MHz; Duty cycle= 1:1

Medium parameters used: $f = 1720 \text{ MHz}$; $\sigma = 1.321 \text{ S/m}$; $\epsilon_r = 41.018$; $\rho = 1000 \text{ kg/m}^3$

Phantom section: Flat Section

Ambient temperature: 22.0°C; Liquid temperature: 22.0°C

DASY5 Configuration:

- Probe: EX3DV4 - SN7509; ConvF(8.34, 8.34, 8.34) @ 1720 MHz; Calibrated: 2020/03/25
- Sensor-Surface: 2mm (Mechanical Surface Detection)
- Electronics: DAE4 Sn877; Calibrated: 2020/03/17
- Phantom: ELI
- DASY52 52.10.4(1527); SEMCAD X 14.6.14(7483)

Area Scan (81x71x1): Interpolated grid: $dx=15 \text{ mm}$, $dy=15 \text{ mm}$

Maximum value of SAR (interpolated) = 1.16 W/kg

Zoom Scan (5x5x7)/Cube 0: Measurement grid: $dx=8\text{mm}$, $dy=8\text{mm}$, $dz=5\text{mm}$

Reference Value = 1.762 V/m; Power Drift = 0.18 dB

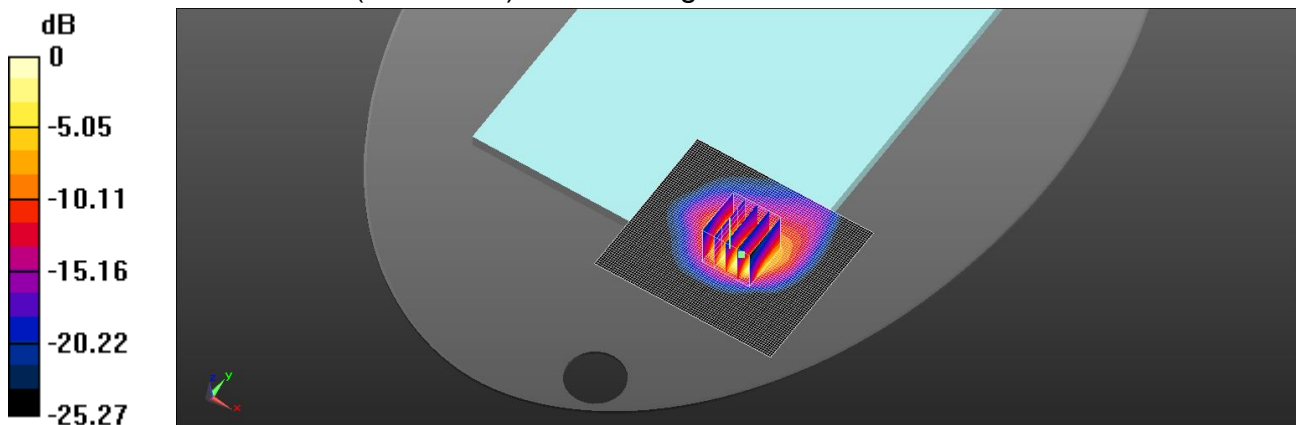
Peak SAR (extrapolated) = 1.71 W/kg

SAR(1 g) = 1.18 W/kg; SAR(10 g) = 0.760 W/kg

Smallest distance from peaks to all points 3 dB below = 8.6 mm

Ratio of SAR at M2 to SAR at M1 = 56.8%

Maximum value of SAR (measured) = 1.06 W/kg



0 dB = 1.06 W/kg = 0.26 dBW/kg

Unless otherwise stated the results shown in this test report refer only to the sample(s) tested and such sample(s) are retained for 90 days only.

除非另有說明，此報告結果僅對測試之樣品負責，同時此樣品僅保留90天。本報告未經本公司書面許可，不可部份複製。

This document is issued by the Company subject to its General Conditions of Service printed overleaf, available on request or accessible at <http://www.sgs.com.tw/Terms-and-Conditions> and for electronic format documents, subject to Terms and Conditions for Electronic Documents at <http://www.sgs.com.tw/Terms-and-Conditions>. Attention is drawn to the limitation of liability, indemnification and jurisdiction issues defined therein. Any holder of this document is advised that information contained hereon reflects the Company's findings at the time of its intervention only and within the limits of Client's instructions, if any. The Company's sole responsibility is to its Client and this document does not exonerate parties to a transaction from exercising all their rights and obligations under the transaction documents. This document cannot be reproduced except in full, without prior written approval of the Company. Any unauthorized alteration, forgery or falsification of the content or appearance of this document is unlawful and offenders may be prosecuted to the fullest extent of the law.

Report No. :ES202090007

WCDMA Band II_Body_Bottom side_CH 9262_0mm

Communication System: WCDMA; Frequency: 1852.4 MHz; Duty cycle= 1:1

Medium parameters used: $f = 1852.4 \text{ MHz}$; $\sigma = 1.393 \text{ S/m}$; $\epsilon_r = 39.778$; $\rho = 1000 \text{ kg/m}^3$

Phantom section: Flat Section

Ambient temperature: 23.4°C; Liquid temperature: 22.3°C

DASY5 Configuration:

- Probe: EX3DV4 – SN7509; ConvF(8.07, 8.07, 8.07) @ 1852.4 MHz; Calibrated: 2020/03/25
- Sensor-Surface: 2mm (Mechanical Surface Detection)
- Electronics: DAE4 Sn877; Calibrated: 2020/03/17
- Phantom: ELI
- DASY52 52.10.4(1527); SEMCAD X 14.6.14(7483)

Area Scan (81x71x1): Interpolated grid: dx=15 mm, dy=15 mm

Maximum value of SAR (interpolated) = 1.41 W/kg

Zoom Scan (5x5x7)/Cube 0: Measurement grid: dx=8mm, dy=8mm, dz=5mm

Reference Value = 3.140 V/m; Power Drift = 0.12 dB

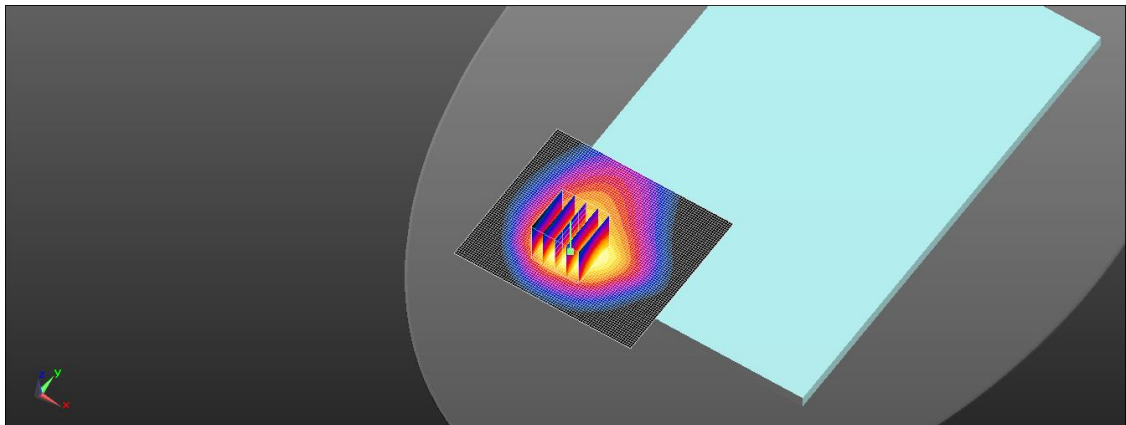
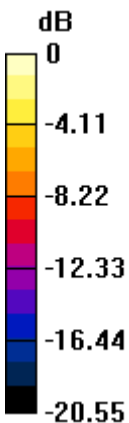
Peak SAR (extrapolated) = 1.79 W/kg

SAR(1 g) = 1.15 W/kg; SAR(10 g) = 0.746 W/kg

Smallest distance from peaks to all points 3 dB below = 8.3 mm

Ratio of SAR at M2 to SAR at M1 = 45.4%

Maximum value of SAR (measured) = 1.27 W/kg



0 dB = 1.27 W/kg = 1.03 dBW/kg

Unless otherwise stated the results shown in this test report refer only to the sample(s) tested and such sample(s) are retained for 90 days only.

除非另有說明，此報告結果僅對測試之樣品負責，同時此樣品僅保留90天。本報告未經本公司書面許可，不可部份複製。

This document is issued by the Company subject to its General Conditions of Service printed overleaf, available on request or accessible at <http://www.sgs.com.tw/Terms-and-Conditions> and for electronic format documents, subject to Terms and Conditions for Electronic Documents at <http://www.sgs.com.tw/Terms-and-Conditions>. Attention is drawn to the limitation of liability, indemnification and jurisdiction issues defined therein. Any holder of this document is advised that information contained hereon reflects the Company's findings at the time of its intervention only and within the limits of Client's instructions, if any. The Company's sole responsibility is to its Client and this document does not exonerate parties to a transaction from exercising all their rights and obligations under the transaction documents. This document cannot be reproduced except in full, without prior written approval of the Company. Any unauthorized alteration, forgery or falsification of the content or appearance of this document is unlawful and offenders may be prosecuted to the fullest extent of the law.

Report No. :ES202090007

WCDMA Band IV_Body_Bottom side_CH 1513_0mm

Communication System: WCDMA; Frequency: 1752.6 MHz; Duty cycle= 1:1

Medium parameters used: $f = 1753 \text{ MHz}$; $\sigma = 1.380 \text{ S/m}$; $\epsilon_r = 40.003$; $\rho = 1000 \text{ kg/m}^3$

Phantom section: Flat Section

Ambient temperature: 23.1°C; Liquid temperature: 22.0°C

DASY5 Configuration:

- Probe: EX3DV4 - SN7509; ConvF(8.34, 8.34, 8.34) @ 1752.6 MHz; Calibrated: 2020/03/25
- Sensor-Surface: 2mm (Mechanical Surface Detection)
- Electronics: DAE4 Sn877; Calibrated: 2020/03/17
- Phantom: ELI
- DASY52 52.10.4(1527); SEMCAD X 14.6.14(7483)

Area Scan (81x71x1): Interpolated grid: dx=15 mm, dy=15 mm

Maximum value of SAR (interpolated) = 1.44 W/kg

Zoom Scan (5x5x7)/Cube 0: Measurement grid: dx=8mm, dy=8mm, dz=5mm

Reference Value = 6.542 V/m; Power Drift = 0.15 dB

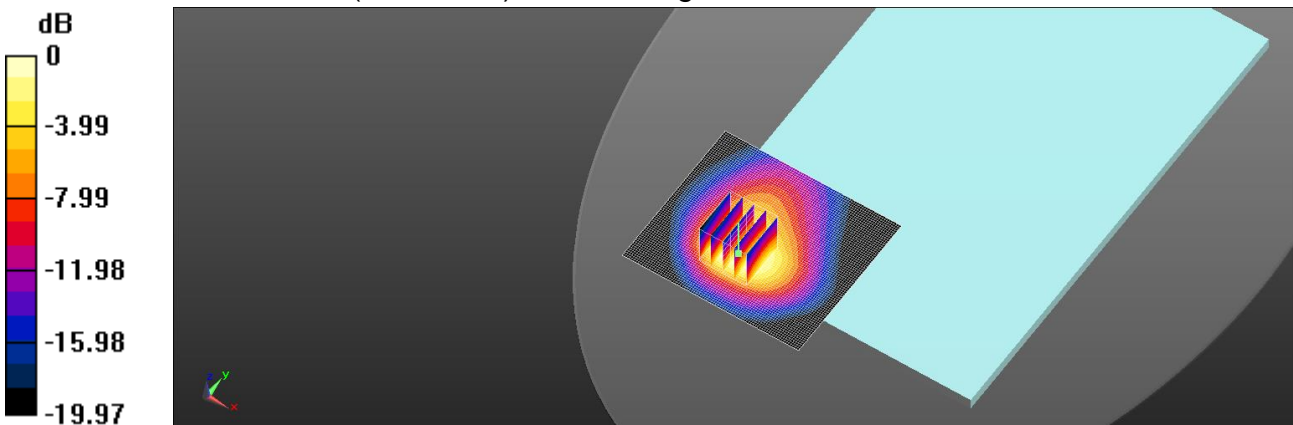
Peak SAR (extrapolated) = 1.76 W/kg

SAR(1 g) = 1.14 W/kg; SAR(10 g) = 0.746 W/kg

Smallest distance from peaks to all points 3 dB below = 8.2 mm

Ratio of SAR at M2 to SAR at M1 = 47.8%

Maximum value of SAR (measured) = 1.30 W/kg



0 dB = 1.30 W/kg = 1.14 dBW/kg

Unless otherwise stated the results shown in this test report refer only to the sample(s) tested and such sample(s) are retained for 90 days only.

除非另有說明，此報告結果僅對測試之樣品負責，同時此樣品僅保留90天。本報告未經本公司書面許可，不可部份複製。

This document is issued by the Company subject to its General Conditions of Service printed overleaf, available on request or accessible at <http://www.sgs.com.tw/Terms-and-Conditions> and for electronic format documents, subject to Terms and Conditions for Electronic Documents at <http://www.sgs.com.tw/Terms-and-Conditions>. Attention is drawn to the limitation of liability, indemnification and jurisdiction issues defined therein. Any holder of this document is advised that information contained hereon reflects the Company's findings at the time of its intervention only and within the limits of Client's instructions, if any. The Company's sole responsibility is to its Client and this document does not exonerate parties to a transaction from exercising all their rights and obligations under the transaction documents. This document cannot be reproduced except in full, without prior written approval of the Company. Any unauthorized alteration, forgery or falsification of the content or appearance of this document is unlawful and offenders may be prosecuted to the fullest extent of the law.

Report No. :ES202090007

WCDMA Band V_Body_Bottom side_CH 4233_0mm

Communication System: WCDMA; Frequency: 846.6 MHz; Duty cycle= 1:1

Medium parameters used: $f = 847 \text{ MHz}$; $\sigma = 0.954 \text{ S/m}$; $\epsilon_r = 41.546$; $\rho = 1000 \text{ kg/m}^3$

Phantom section: Flat Section

Ambient temperature: 22.9°C; Liquid temperature: 23.0°C

DASY5 Configuration:

- Probe: EX3DV4 - SN7509; ConvF(9.73, 9.73, 9.73) @ 846.6 MHz; Calibrated: 2020/03/25
- Sensor-Surface: 2mm (Mechanical Surface Detection)
- Electronics: DAE4 Sn877; Calibrated: 2020/03/17
- Phantom: ELI
- DASY52 52.10.4(1527); SEMCAD X 14.6.14(7483)

Area Scan (81x71x1): Interpolated grid: dx=15 mm, dy=15 mm

Maximum value of SAR (interpolated) = 1.61 W/kg

Zoom Scan (5x5x7)/Cube 0: Measurement grid: dx=8mm, dy=8mm, dz=5mm

Reference Value = 1.975 V/m; Power Drift = 0.09 dB

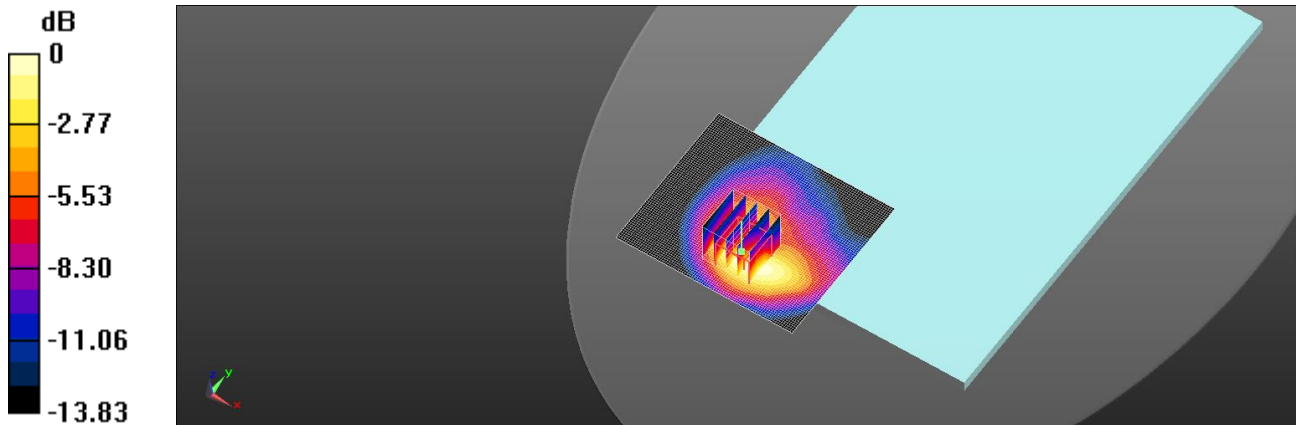
Peak SAR (extrapolated) = 2.01 W/kg

SAR(1 g) = 1.05 W/kg; SAR(10 g) = 0.593 W/kg

Smallest distance from peaks to all points 3 dB below = 8.1 mm

Ratio of SAR at M2 to SAR at M1 = 54.2%

Maximum value of SAR (measured) = 1.51 W/kg



0 dB = 1.51 W/kg = 1.79 dBW/kg

Unless otherwise stated the results shown in this test report refer only to the sample(s) tested and such sample(s) are retained for 90 days only.

除非另有說明，此報告結果僅對測試之樣品負責，同時此樣品僅保留90天。本報告未經本公司書面許可，不可部份複製。

This document is issued by the Company subject to its General Conditions of Service printed overleaf, available on request or accessible at <http://www.sgs.com.tw/Terms-and-Conditions> and for electronic format documents, subject to Terms and Conditions for Electronic Documents at <http://www.sgs.com.tw/Terms-and-Conditions>. Attention is drawn to the limitation of liability, indemnification and jurisdiction issues defined therein. Any holder of this document is advised that information contained hereon reflects the Company's findings at the time of its intervention only and within the limits of Client's instructions, if any. The Company's sole responsibility is to its Client and this document does not exonerate parties to a transaction from exercising all their rights and obligations under the transaction documents. This document cannot be reproduced except in full, without prior written approval of the Company. Any unauthorized alteration, forgery or falsification of the content or appearance of this document is unlawful and offenders may be prosecuted to the fullest extent of the law.

Report No. :ES202090007

LTE Band 2 (20MHz)_Body_Bottom side_CH 19100_QPSK_1-0_0mm

Communication System: LTE; Frequency: 1900 MHz; Duty cycle= 1:1

Medium parameters used: $f = 1900 \text{ MHz}$; $\sigma = 1.409 \text{ S/m}$; $\epsilon_r = 39.433$; $\rho = 1000 \text{ kg/m}^3$

Phantom section: Flat Section

Ambient temperature: 23.4°C; Liquid temperature: 22.3°C

DASY5 Configuration:

- Probe: EX3DV4 - SN7509; ConvF(8.07, 8.07, 8.07) @ 1900 MHz; Calibrated: 2020/03/25
- Sensor-Surface: 2mm (Mechanical Surface Detection)
- Electronics: DAE4 Sn877; Calibrated: 2020/03/17
- Phantom: ELI
- DASY52 52.10.4(1527); SEMCAD X 14.6.14(7483)

Area Scan (81x71x1): Interpolated grid: $dx=15 \text{ mm}$, $dy=15 \text{ mm}$

Maximum value of SAR (interpolated) = 1.35 W/kg

Zoom Scan (5x5x7)/Cube 0: Measurement grid: $dx=8\text{mm}$, $dy=8\text{mm}$, $dz=5\text{mm}$

Reference Value = 1.864 V/m; Power Drift = 0.12 dB

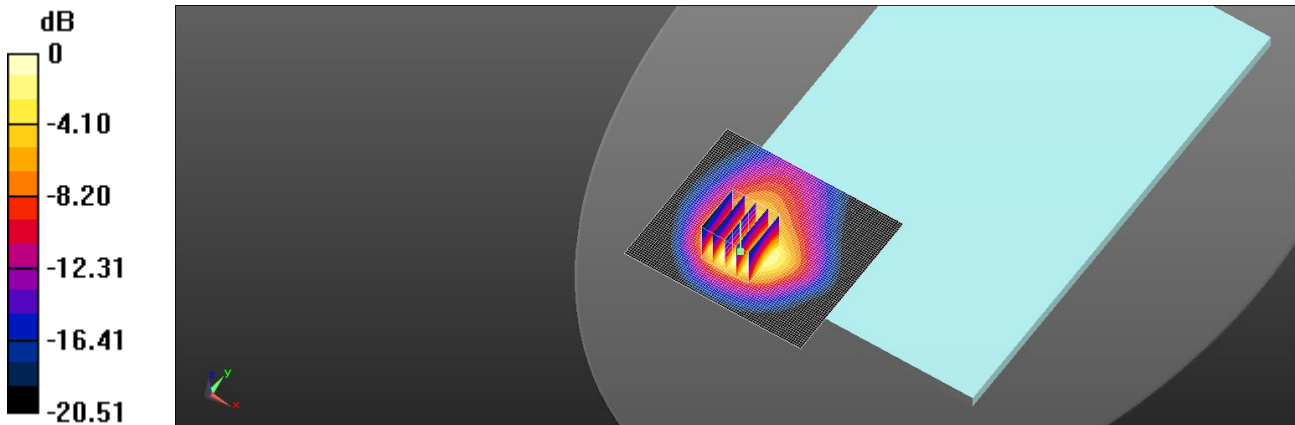
Peak SAR (extrapolated) = 1.69 W/kg

SAR(1 g) = 1.1 W/kg; SAR(10 g) = 0.715 W/kg

Smallest distance from peaks to all points 3 dB below = 8.5 mm

Ratio of SAR at M2 to SAR at M1 = 46%

Maximum value of SAR (measured) = 1.21 W/kg



0 dB = 1.21 W/kg = 0.82 dBW/kg

Unless otherwise stated the results shown in this test report refer only to the sample(s) tested and such sample(s) are retained for 90 days only.

除非另有說明，此報告結果僅對測試之樣品負責，同時此樣品僅保留90天。本報告未經本公司書面許可，不可部份複製。

This document is issued by the Company subject to its General Conditions of Service printed overleaf, available on request or accessible at <http://www.sgs.com.tw/Terms-and-Conditions> and for electronic format documents, subject to Terms and Conditions for Electronic Documents at <http://www.sgs.com.tw/Terms-and-Conditions>. Attention is drawn to the limitation of liability, indemnification and jurisdiction issues defined therein. Any holder of this document is advised that information contained hereon reflects the Company's findings at the time of its intervention only and within the limits of Client's instructions, if any. The Company's sole responsibility is to its Client and this document does not exonerate parties to a transaction from exercising all their rights and obligations under the transaction documents. This document cannot be reproduced except in full, without prior written approval of the Company. Any unauthorized alteration, forgery or falsification of the content or appearance of this document is unlawful and offenders may be prosecuted to the fullest extent of the law.

Report No. :ES202090007

LTE Band 4 (20MHz)_Body_Bottom side_CH 20175_QPSK_1-0_0mm

Communication System: LTE; Frequency: 1732.5 MHz; Duty cycle= 1:1

Medium parameters used: $f = 1732.5$ MHz; $\sigma = 1.345$ S/m; $\epsilon_r = 40.863$; $\rho = 1000$ kg/m³

Phantom section: Flat Section

Ambient temperature: 23.1°C; Liquid temperature: 22.0°C

DASY5 Configuration:

- Probe: EX3DV4 - SN7509; ConvF(8.34, 8.34, 8.34) @ 1732.5 MHz; Calibrated: 2020/03/25
- Sensor-Surface: 2mm (Mechanical Surface Detection)
- Electronics: DAE4 Sn877; Calibrated: 2020/03/17
- Phantom: ELI
- DASY52 52.10.4(1527); SEMCAD X 14.6.14(7483)

Area Scan (81x71x1): Interpolated grid: dx=15 mm, dy=15 mm

Maximum value of SAR (interpolated) = 1.33 W/kg

Zoom Scan (5x5x7)/Cube 0: Measurement grid: dx=8mm, dy=8mm, dz=5mm

Reference Value = 7.760 V/m; Power Drift = 0.18 dB

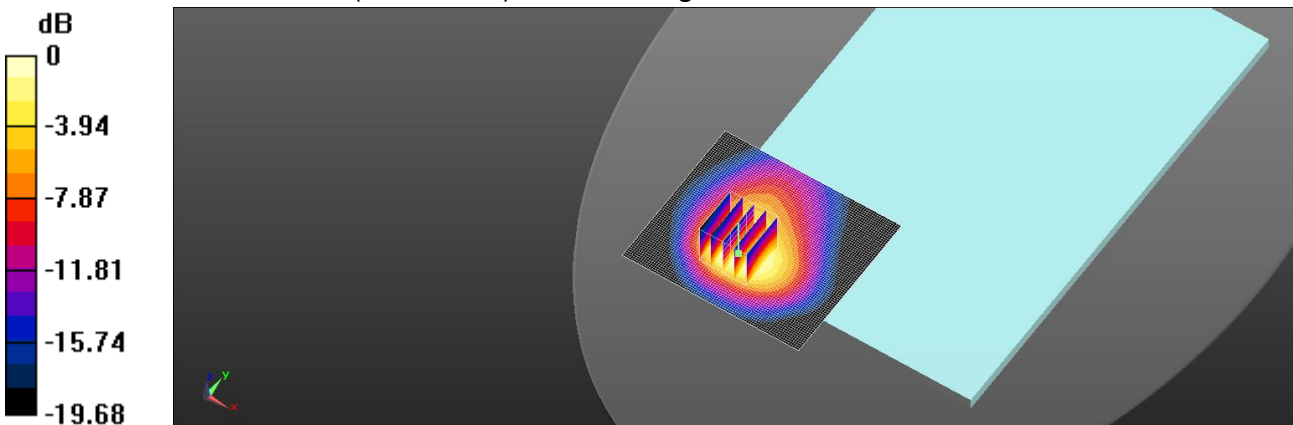
Peak SAR (extrapolated) = 1.59 W/kg

SAR(1 g) = 1.04 W/kg; SAR(10 g) = 0.685 W/kg

Smallest distance from peaks to all points 3 dB below = 8.7 mm

Ratio of SAR at M2 to SAR at M1 = 48.3%

Maximum value of SAR (measured) = 1.18 W/kg



0 dB = 1.18 W/kg = 0.73 dBW/kg

Unless otherwise stated the results shown in this test report refer only to the sample(s) tested and such sample(s) are retained for 90 days only.

除非另有說明，此報告結果僅對測試之樣品負責，同時此樣品僅保留90天。本報告未經本公司書面許可，不可部份複製。

This document is issued by the Company subject to its General Conditions of Service printed overleaf, available on request or accessible at <http://www.sgs.com.tw/Terms-and-Conditions> and for electronic format documents, subject to Terms and Conditions for Electronic Documents at <http://www.sgs.com.tw/Terms-and-Conditions>. Attention is drawn to the limitation of liability, indemnification and jurisdiction issues defined therein. Any holder of this document is advised that information contained hereon reflects the Company's findings at the time of its intervention only and within the limits of Client's instructions, if any. The Company's sole responsibility is to its Client and this document does not exonerate parties to a transaction from exercising all their rights and obligations under the transaction documents. This document cannot be reproduced except in full, without prior written approval of the Company. Any unauthorized alteration, forgery or falsification of the content or appearance of this document is unlawful and offenders may be prosecuted to the fullest extent of the law.

Eport No. : ES202090007

LTE Band 5 (10MHz)_Body_Bottom side_CH 20525_QPSK_1-0_0mm

Communication System: LTE; Frequency: 836.5 MHz; Duty cycle= 1:1

Medium parameters used: $f = 836.5 \text{ MHz}$; $\sigma = 0.928 \text{ S/m}$; $\epsilon_r = 41.888$; $\rho = 1000 \text{ kg/m}^3$

Phantom section: Flat Section

Ambient temperature: 22.9°C; Liquid temperature: 23.0°C

DASY5 Configuration:

- Probe: EX3DV4 - SN7509; ConvF(9.73, 9.73, 9.73) @ 836.5MHz;
Calibrated: 2020/03/25
- Sensor-Surface: 2mm (Mechanical Surface Detection)
- Electronics: DAE4 Sn877; Calibrated: 2020/03/17
- Phantom: ELI
- DASY52 52.10.4(1527); SEMCAD X 14.6.14(7483)

Area Scan (81x71x1): Interpolated grid: dx=15 mm, dy=15 mm

Maximum value of SAR (interpolated) = 1.88 W/kg

Zoom Scan (5x5x7)/Cube 0: Measurement grid: dx=8mm, dy=8mm, dz=5mm

Reference Value = 1.204 V/m; Power Drift = 0.12 dB

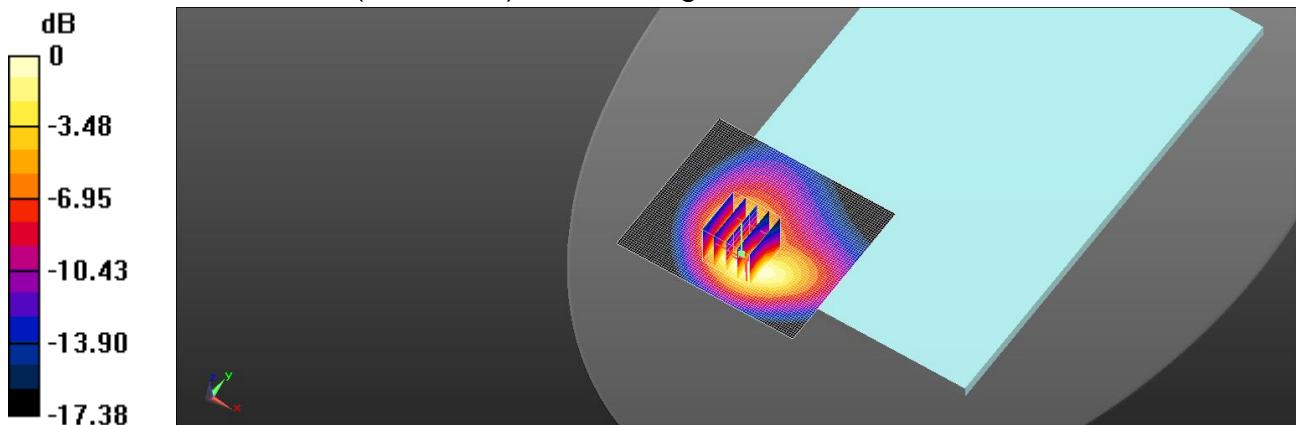
Peak SAR (extrapolated) = 2.33 W/kg

SAR(1 g) = 1.26 W/kg; SAR(10 g) = 0.683 W/kg

Smallest distance from peaks to all points 3 dB below = 9.3 mm

Ratio of SAR at M2 to SAR at M1 = 53%

Maximum value of SAR (measured) = 1.76 W/kg



0 dB = 1.76 W/kg = 2.46 dBW/kg

Unless otherwise stated the results shown in this test report refer only to the sample(s) tested and such sample(s) are retained for 90 days only.
除非另有說明，此報告結果僅對測試之樣品負責，同時此樣品僅保留90天。本報告未經本公司書面許可，不可部份複製。

This document is issued by the Company subject to its General Conditions of Service printed overleaf, available on request or accessible at <http://www.sgs.com.tw/Terms-and-Conditions> and for electronic format documents, subject to Terms and Conditions for Electronic Documents at <http://www.sgs.com.tw/Terms-and-Conditions>. Attention is drawn to the limitation of liability, indemnification and jurisdiction issues defined therein. Any holder of this document is advised that information contained herein reflects the Company's findings at the time of its intervention only and within the limits of Client's instructions, if any. The Company's sole responsibility is to its Client and this document does not exonerate parties to a transaction from exercising all their rights and obligations under the transaction documents. This document cannot be reproduced except in full, without prior written approval of the Company. Any unauthorized alteration, forgery or falsification of the content or appearance of this document is unlawful and offenders may be prosecuted to the fullest extent of the law.

Report No. :ES202090007

LTE Band 7 (20MHz)_Body_Bottom side_CH 20850_QPSK_1-0_0mm

Communication System: LTE; Frequency: 2510 MHz; Duty cycle= 1:1

Medium parameters used: $f = 2510 \text{ MHz}$; $\sigma = 1.820 \text{ S/m}$; $\epsilon_r = 38.596$; $\rho = 1000 \text{ kg/m}^3$

Phantom section: Flat Section

Ambient temperature: 22.3°C; Liquid temperature: 22.7°C

DASY5 Configuration:

- Probe: EX3DV4 - SN7509; ConvF(7.23, 7.23, 7.23) @ 2510 MHz; Calibrated: 2020/03/25
- Sensor-Surface: 2mm (Mechanical Surface Detection)
- Electronics: DAE4 Sn877; Calibrated: 2020/03/17
- Phantom: ELI
- DASY52 52.10.4(1527); SEMCAD X 14.6.14(7483)

Area Scan (101x81x1): Interpolated grid: dx=12 mm, dy=12 mm

Maximum value of SAR (interpolated) = 1.25 W/kg

Zoom Scan (7x7x7)/Cube 0: Measurement grid: dx=5mm, dy=5mm, dz=5mm

Reference Value = 1.550 V/m; Power Drift = 0.12 dB

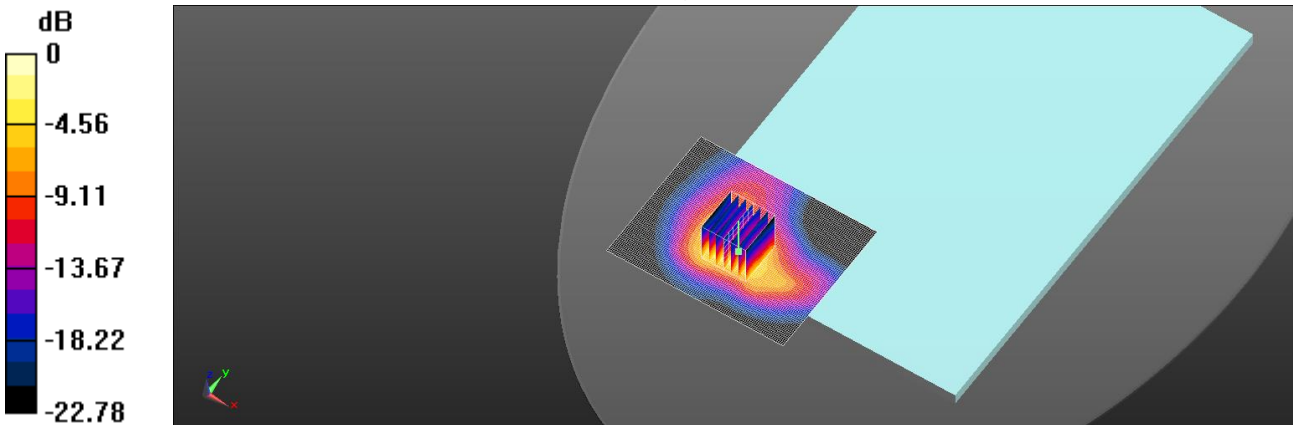
Peak SAR (extrapolated) = 2.11 W/kg

SAR(1 g) = 1.22 W/kg; SAR(10 g) = 0.690 W/kg

Smallest distance from peaks to all points 3 dB below = 5.9 mm

Ratio of SAR at M2 to SAR at M1 = 46.6%

Maximum value of SAR (measured) = 1.46 W/kg



0 dB = 1.46 W/kg = 1.63 dBW/kg

Unless otherwise stated the results shown in this test report refer only to the sample(s) tested and such sample(s) are retained for 90 days only.

除非另有說明，此報告結果僅對測試之樣品負責，同時此樣品僅保留90天。本報告未經本公司書面許可，不可部份複製。

This document is issued by the Company subject to its General Conditions of Service printed overleaf, available on request or accessible at <http://www.sgs.com.tw/Terms-and-Conditions> and for electronic format documents, subject to Terms and Conditions for Electronic Documents at <http://www.sgs.com.tw/Terms-and-Conditions>. Attention is drawn to the limitation of liability, indemnification and jurisdiction issues defined therein. Any holder of this document is advised that information contained hereon reflects the Company's findings at the time of its intervention only and within the limits of Client's instructions, if any. The Company's sole responsibility is to its Client and this document does not exonerate parties to a transaction from exercising all their rights and obligations under the transaction documents. This document cannot be reproduced except in full, without prior written approval of the Company. Any unauthorized alteration, forgery or falsification of the content or appearance of this document is unlawful and offenders may be prosecuted to the fullest extent of the law.

Report No. :ES202090007

LTE Band 12 (10MHz)_Body_Bottom side_CH 23060_QPSK_1-0_0mm

Communication System: LTE; Frequency: 704 MHz; Duty cycle= 1:1

Medium parameters used: $f = 704 \text{ MHz}$; $\sigma = 0.868 \text{ S/m}$; $\epsilon_r = 42.980$; $\rho = 1000 \text{ kg/m}^3$

Phantom section: Flat Section

Ambient temperature: 22.5°C; Liquid temperature: 22.8°C

DASY5 Configuration:

- Probe: EX3DV4 - SN7509; ConvF(9.94, 9.94, 9.94) @ 704 MHz;
Calibrated: 2020/03/25
- Sensor-Surface: 2mm (Mechanical Surface Detection)
- Electronics: DAE4 Sn877; Calibrated: 2020/03/17
- Phantom: ELI
- DASY52 52.10.4(1527); SEMCAD X 14.6.14(7483)

Area Scan (81x71x1): Interpolated grid: $dx=15 \text{ mm}$, $dy=15 \text{ mm}$

Maximum value of SAR (interpolated) = 1.47 W/kg

Zoom Scan (5x5x7)/Cube 0: Measurement grid: $dx=8\text{mm}$, $dy=8\text{mm}$, $dz=5\text{mm}$

Reference Value = 6.290 V/m; Power Drift = 0.15 dB

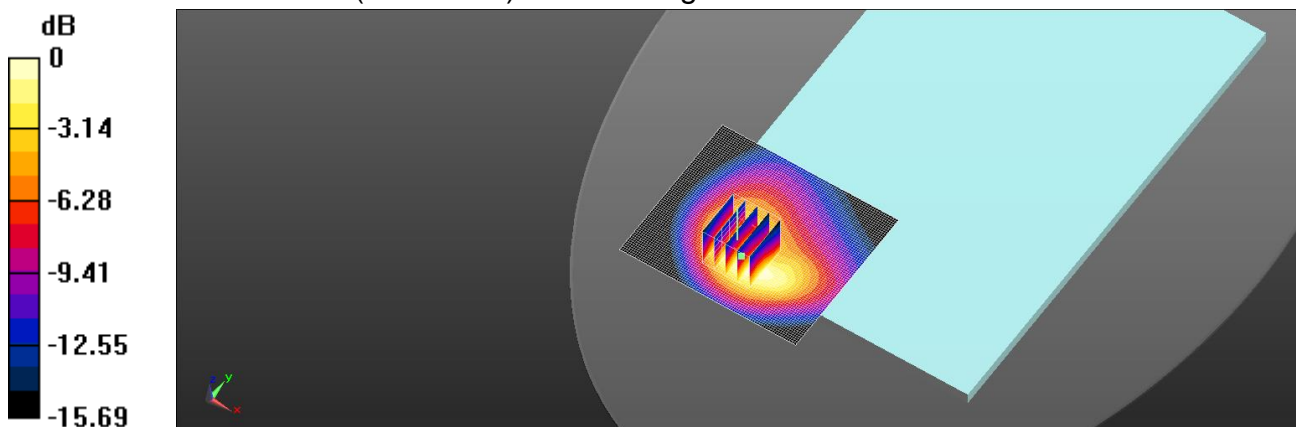
Peak SAR (extrapolated) = 1.92 W/kg

SAR(1 g) = 1.08 W/kg; SAR(10 g) = 0.635 W/kg

Smallest distance from peaks to all points 3 dB below = 8.6 mm

Ratio of SAR at M2 to SAR at M1 = 52.5%

Maximum value of SAR (measured) = 1.40 W/kg



0 dB = 1.40 W/kg = 1.46 dBW/kg

Unless otherwise stated the results shown in this test report refer only to the sample(s) tested and such sample(s) are retained for 90 days only.

除非另有說明，此報告結果僅對測試之樣品負責，同時此樣品僅保留90天。本報告未經本公司書面許可，不可部份複製。

This document is issued by the Company subject to its General Conditions of Service printed overleaf, available on request or accessible at <http://www.sgs.com.tw/Terms-and-Conditions> and for electronic format documents, subject to Terms and Conditions for Electronic Documents at <http://www.sgs.com.tw/Terms-and-Conditions>. Attention is drawn to the limitation of liability, indemnification and jurisdiction issues defined therein. Any holder of this document is advised that information contained hereon reflects the Company's findings at the time of its intervention only and within the limits of Client's instructions, if any. The Company's sole responsibility is to its Client and this document does not exonerate parties to a transaction from exercising all their rights and obligations under the transaction documents. This document cannot be reproduced except in full, without prior written approval of the Company. Any unauthorized alteration, forgery or falsification of the content or appearance of this document is unlawful and offenders may be prosecuted to the fullest extent of the law.

Report No. :ES202090007

LTE Band 13 (10MHz)_Body_Bottom side_CH 23230_QPSK_1-0_0mm

Communication System: LTE; Frequency: 782 MHz; Duty cycle= 1:1

Medium parameters used: $f = 782 \text{ MHz}$; $\sigma = 0.905 \text{ S/m}$; $\epsilon_r = 42.345$; $\rho = 1000 \text{ kg/m}^3$

Phantom section: Flat Section

Ambient temperature: 22.5°C; Liquid temperature: 22.8°C

DASY5 Configuration:

- Probe: EX3DV4 - SN7509; ConvF(9.94, 9.94, 9.94) @ 782 MHz;
Calibrated: 2020/03/25
- Sensor-Surface: 2mm (Mechanical Surface Detection)
- Electronics: DAE4 Sn877; Calibrated: 2020/03/17
- Phantom: ELI
- DASY52 52.10.4(1527); SEMCAD X 14.6.14(7483)

Area Scan (81x71x1): Interpolated grid: $dx=15 \text{ mm}$, $dy=15 \text{ mm}$

Maximum value of SAR (interpolated) = 1.68 W/kg

Zoom Scan (5x5x7)/Cube 0: Measurement grid: $dx=8\text{mm}$, $dy=8\text{mm}$, $dz=5\text{mm}$

Reference Value = 4.010 V/m; Power Drift = 0.05 dB

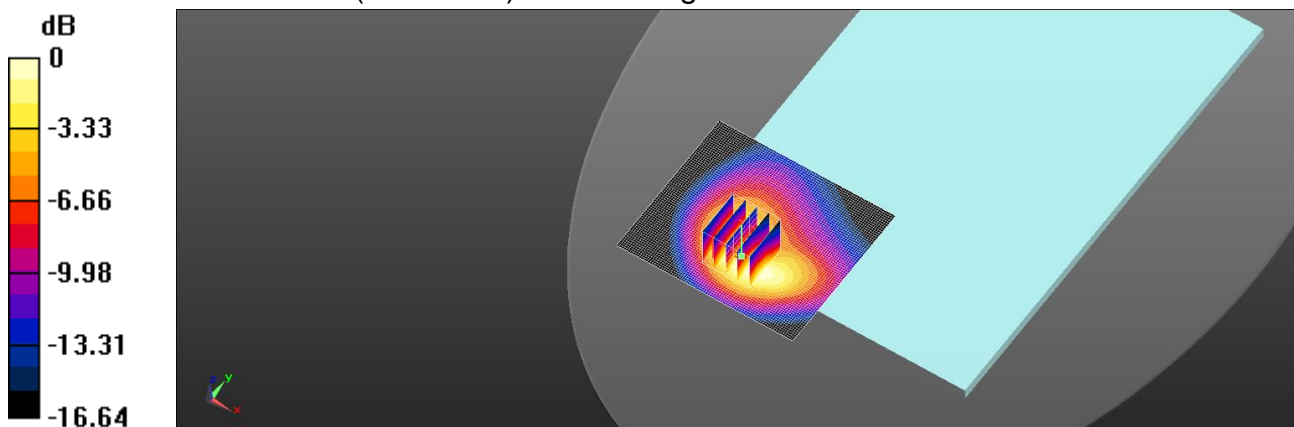
Peak SAR (extrapolated) = 2.10 W/kg

SAR(1 g) = 1.17 W/kg; SAR(10 g) = 0.668 W/kg

Smallest distance from peaks to all points 3 dB below = 9 mm

Ratio of SAR at M2 to SAR at M1 = 52.7%

Maximum value of SAR (measured) = 1.58 W/kg



0 dB = 1.58 W/kg = 1.98 dBW/kg

Unless otherwise stated the results shown in this test report refer only to the sample(s) tested and such sample(s) are retained for 90 days only.
除非另有說明，此報告結果僅對測試之樣品負責，同時此樣品僅保留90天。本報告未經本公司書面許可，不可部份複製。

This document is issued by the Company subject to its General Conditions of Service printed overleaf, available on request or accessible at <http://www.sgs.com.tw/Terms-and-Conditions> and for electronic format documents, subject to Terms and Conditions for Electronic Documents at <http://www.sgs.com.tw/Terms-and-Conditions>. Attention is drawn to the limitation of liability, indemnification and jurisdiction issues defined therein. Any holder of this document is advised that information contained herein reflects the Company's findings at the time of its intervention only and within the limits of Client's instructions, if any. The Company's sole responsibility is to its Client and this document does not exonerate parties to a transaction from exercising all their rights and obligations under the transaction documents. This document cannot be reproduced except in full, without prior written approval of the Company. Any unauthorized alteration, forgery or falsification of the content or appearance of this document is unlawful and offenders may be prosecuted to the fullest extent of the law.

Date: 2020/10/4

Report No. :ES202090007

LTE Band 14 (10MHz)_Body_Bottom side_CH 23330_QPSK_1-0_0mm

Communication System: LTE; Frequency: 793 MHz; Duty cycle= 1:1

Medium parameters used: $f = 793 \text{ MHz}$; $\sigma = 0.908 \text{ S/m}$; $\epsilon_r = 42.317$; $\rho = 1000 \text{ kg/m}^3$

Phantom section: Flat Section

Ambient temperature: 22.5°C; Liquid temperature: 22.8°C

DASY5 Configuration:

- Probe: EX3DV4 - SN7509; ConvF(9.94, 9.94, 9.94) @ 793 MHz;
Calibrated: 2020/03/25
- Sensor-Surface: 2mm (Mechanical Surface Detection)
- Electronics: DAE4 Sn877; Calibrated: 2020/03/17
- Phantom: ELI
- DASY52 52.10.4(1527); SEMCAD X 14.6.14(7483)

Area Scan (81x71x1): Interpolated grid: dx=15 mm, dy=15 mm

Maximum value of SAR (interpolated) = 1.72 W/kg

Zoom Scan (5x5x7)/Cube 0: Measurement grid: dx=8mm, dy=8mm, dz=5mm

Reference Value = 1.557 V/m; Power Drift =-0.05 dB

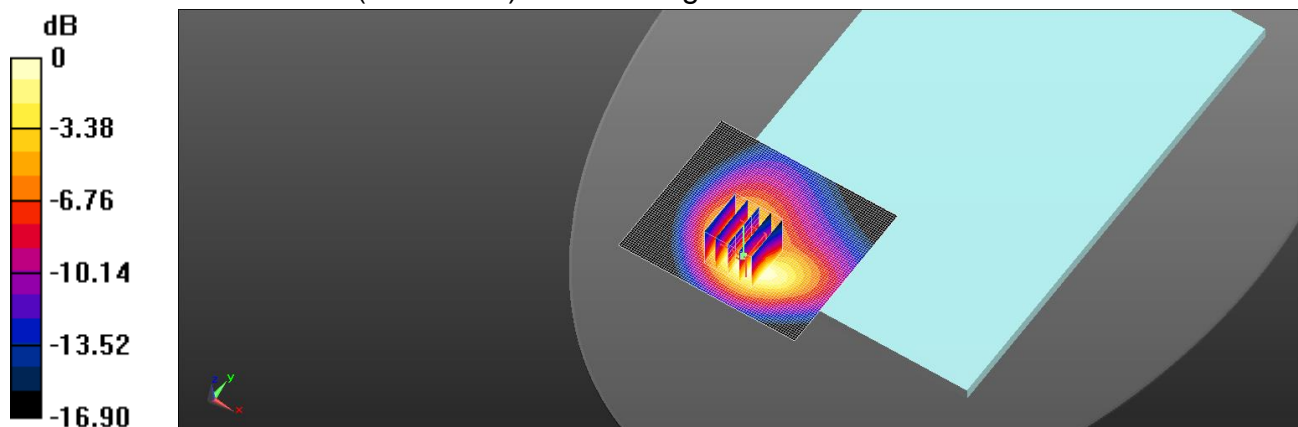
Peak SAR (extrapolated) = 2.13 W/kg

SAR(1 g) = 1.18 W/kg; SAR(10 g) = 0.663 W/kg

Smallest distance from peaks to all points 3 dB below = 8.9 mm

Ratio of SAR at M2 to SAR at M1 = 52.8%

Maximum value of SAR (measured) = 1.61 W/kg



0 dB = 1.61 W/kg = 2.07 dBW/kg

Unless otherwise stated the results shown in this test report refer only to the sample(s) tested and such sample(s) are retained for 90 days only.
除非另有說明，此報告結果僅對測試之樣品負責，同時此樣品僅保留90天。本報告未經本公司書面許可，不可部份複製。

This document is issued by the Company subject to its General Conditions of Service printed overleaf, available on request or accessible at <http://www.sgs.com.tw/Terms-and-Conditions> and for electronic format documents, subject to Terms and Conditions for Electronic Documents at <http://www.sgs.com.tw/Terms-and-Conditions>. Attention is drawn to the limitation of liability, indemnification and jurisdiction issues defined therein. Any holder of this document is advised that information contained hereon reflects the Company's findings at the time of its intervention only and within the limits of Client's instructions, if any. The Company's sole responsibility is to its Client and this document does not exonerate parties to a transaction from exercising all their rights and obligations under the transaction documents. This document cannot be reproduced except in full, without prior written approval of the Company. Any unauthorized alteration, forgery or falsification of the content or appearance of this document is unlawful and offenders may be prosecuted to the fullest extent of the law.

Report No. :ES202090007

LTE Band 17 (10MHz)_Body_Bottom side_CH 23790_QPSK_1-0_0mm

Communication System: LTE; Frequency: 710 MHz; Duty cycle= 1:1

Medium parameters used: $f = 710 \text{ MHz}$; $\sigma = 0.884 \text{ S/m}$; $\epsilon_r = 42.742$; $\rho = 1000 \text{ kg/m}^3$

Phantom section: Flat Section

Ambient temperature: 22.5°C; Liquid temperature: 22.8°C

DASY5 Configuration:

- Probe: EX3DV4 - SN7509; ConvF(9.94, 9.94, 9.94) @ 710 MHz;
Calibrated: 2020/03/25
- Sensor-Surface: 2mm (Mechanical Surface Detection)
- Electronics: DAE4 Sn877; Calibrated: 2020/03/17
- Phantom: ELI
- DASY52 52.10.4(1527); SEMCAD X 14.6.14(7483)

Area Scan (81x71x1): Interpolated grid: $dx=15 \text{ mm}$, $dy=15 \text{ mm}$

Maximum value of SAR (interpolated) = 1.74 W/kg

Zoom Scan (5x5x7)/Cube 0: Measurement grid: $dx=8\text{mm}$, $dy=8\text{mm}$, $dz=5\text{mm}$

Reference Value = 6.190 V/m; Power Drift = -0.08 dB

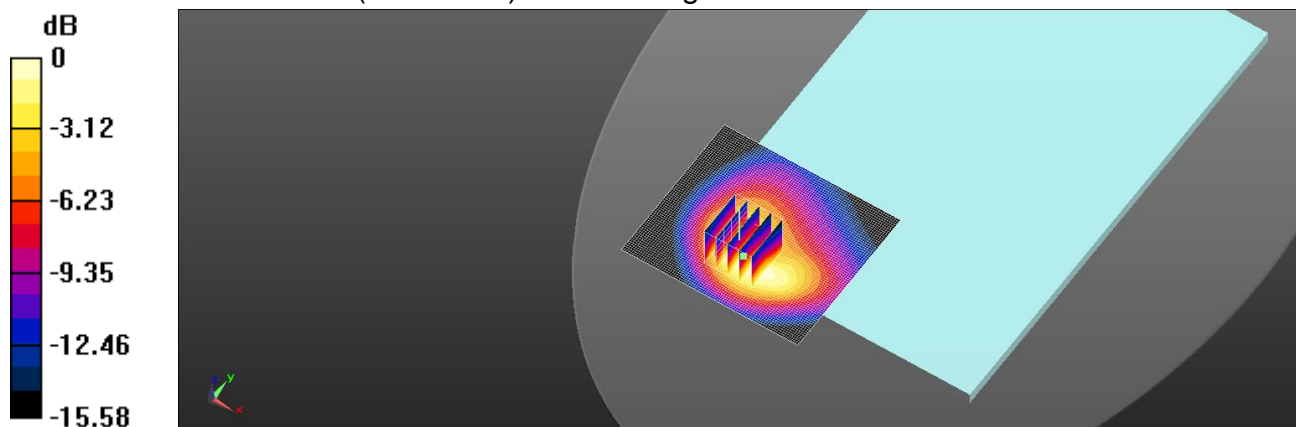
Peak SAR (extrapolated) = 2.26 W/kg

SAR(1 g) = 1.24 W/kg; SAR(10 g) = 0.717 W/kg

Smallest distance from peaks to all points 3 dB below = 8.5 mm

Ratio of SAR at M2 to SAR at M1 = 52.6%

Maximum value of SAR (measured) = 1.65 W/kg



0 dB = 1.65 W/kg = 2.17 dBW/kg

Unless otherwise stated the results shown in this test report refer only to the sample(s) tested and such sample(s) are retained for 90 days only.

除非另有說明，此報告結果僅對測試之樣品負責，同時此樣品僅保留90天。本報告未經本公司書面許可，不可部份複製。

This document is issued by the Company subject to its General Conditions of Service printed overleaf, available on request or accessible at <http://www.sgs.com.tw/Terms-and-Conditions> and for electronic format documents, subject to Terms and Conditions for Electronic Documents at <http://www.sgs.com.tw/Terms-and-Conditions>. Attention is drawn to the limitation of liability, indemnification and jurisdiction issues defined therein. Any holder of this document is advised that information contained hereon reflects the Company's findings at the time of its intervention only and within the limits of Client's instructions, if any. The Company's sole responsibility is to its Client and this document does not exonerate parties to a transaction from exercising all their rights and obligations under the transaction documents. This document cannot be reproduced except in full, without prior written approval of the Company. Any unauthorized alteration, forgery or falsification of the content or appearance of this document is unlawful and offenders may be prosecuted to the fullest extent of the law.

Report No. :ES202090007

LTE Band 25 (20MHz)_Body_Bottom side_CH 26590_QPSK_1-0_0mm

Communication System: LTE; Frequency: 1905 MHz; Duty cycle= 1:1

Medium parameters used: $f = 1905 \text{ MHz}$; $\sigma = 1.428 \text{ S/m}$; $\epsilon_r = 39.195$; $\rho = 1000 \text{ kg/m}^3$

Phantom section: Flat Section

Ambient temperature: 23.4°C; Liquid temperature: 22.3°C

DASY5 Configuration:

- Probe: EX3DV4 - SN7509; ConvF(8.07, 8.07, 8.07) @ 1905 MHz; Calibrated: 2020/03/25
- Sensor-Surface: 2mm (Mechanical Surface Detection)
- Electronics: DAE4 Sn877; Calibrated: 2020/03/17
- Phantom: ELI
- DASY52 52.10.4(1527); SEMCAD X 14.6.14(7483)

Area Scan (81x71x1): Interpolated grid: $dx=15 \text{ mm}$, $dy=15 \text{ mm}$

Maximum value of SAR (interpolated) = 1.28 W/kg

Zoom Scan (5x5x7)/Cube 0: Measurement grid: $dx=8\text{mm}$, $dy=8\text{mm}$, $dz=5\text{mm}$

Reference Value = 2.542 V/m; Power Drift = -0.13 dB

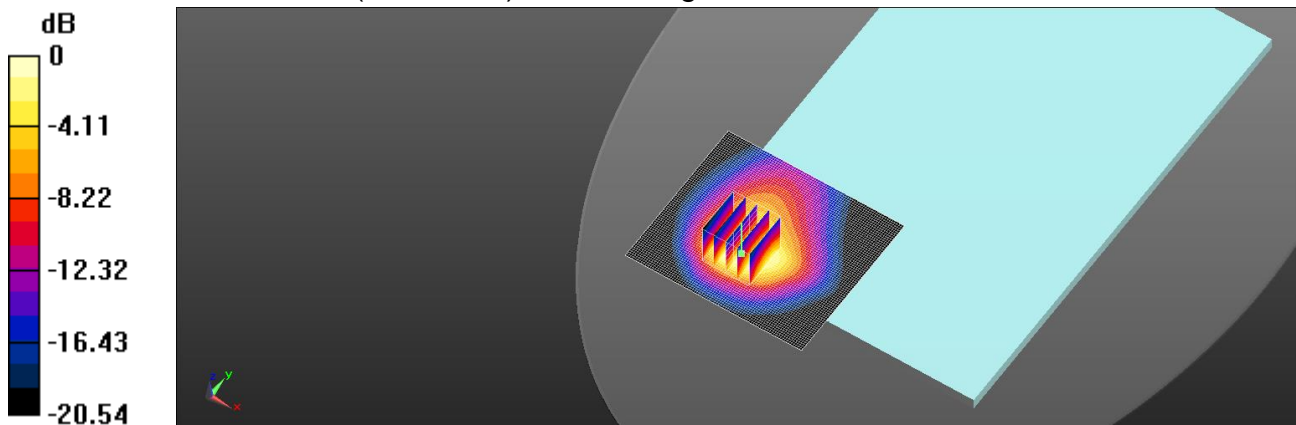
Peak SAR (extrapolated) = 1.65 W/kg

SAR(1 g) = 1.07 W/kg; SAR(10 g) = 0.697 W/kg

Smallest distance from peaks to all points 3 dB below = 9 mm

Ratio of SAR at M2 to SAR at M1 = 45.9%

Maximum value of SAR (measured) = 1.18 W/kg



0 dB = 1.18 W/kg = 0.71 dBW/kg

Unless otherwise stated the results shown in this test report refer only to the sample(s) tested and such sample(s) are retained for 90 days only.

除非另有說明，此報告結果僅對測試之樣品負責，同時此樣品僅保留90天。本報告未經本公司書面許可，不可部份複製。

This document is issued by the Company subject to its General Conditions of Service printed overleaf, available on request or accessible at <http://www.sgs.com.tw/Terms-and-Conditions> and for electronic format documents, subject to Terms and Conditions for Electronic Documents at <http://www.sgs.com.tw/Terms-and-Conditions>. Attention is drawn to the limitation of liability, indemnification and jurisdiction issues defined therein. Any holder of this document is advised that information contained hereon reflects the Company's findings at the time of its intervention only and within the limits of Client's instructions, if any. The Company's sole responsibility is to its Client and this document does not exonerate parties to a transaction from exercising all their rights and obligations under the transaction documents. This document cannot be reproduced except in full, without prior written approval of the Company. Any unauthorized alteration, forgery or falsification of the content or appearance of this document is unlawful and offenders may be prosecuted to the fullest extent of the law.

Report No. :ES202090007

LTE Band 26 (15MHz)_Body_Bottom side_CH 26965_QPSK_1-0_0mm

Communication System: LTE; Frequency: 841.5 MHz; Duty cycle= 1:1

Medium parameters used: $f = 841.5 \text{ MHz}$; $\sigma = 0.936 \text{ S/m}$; $\epsilon_r = 41.684$; $\rho = 1000 \text{ kg/m}^3$

Phantom section: Flat Section

Ambient temperature: 22.9°C; Liquid temperature: 23.0°C

DASY5 Configuration:

- Probe: EX3DV4 - SN7509; ConvF(9.73, 9.73, 9.73) @ 841.5MHz;
Calibrated: 2020/03/25
- Sensor-Surface: 2mm (Mechanical Surface Detection)
- Electronics: DAE4 Sn877; Calibrated: 2020/03/17
- Phantom: ELI
- DASY52 52.10.4(1527); SEMCAD X 14.6.14(7483)

Area Scan (81x71x1): Interpolated grid: $dx=15 \text{ mm}$, $dy=15 \text{ mm}$

Maximum value of SAR (interpolated) = 1.79 W/kg

Zoom Scan (5x5x7)/Cube 0: Measurement grid: $dx=8\text{mm}$, $dy=8\text{mm}$, $dz=5\text{mm}$

Reference Value = 3.360 V/m; Power Drift = -0.06 dB

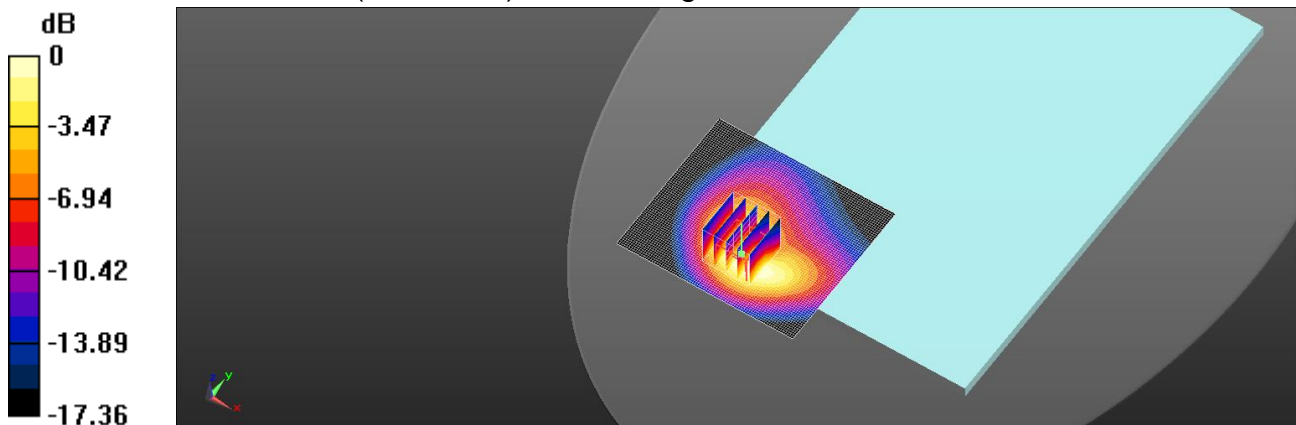
Peak SAR (extrapolated) = 2.23 W/kg

SAR(1 g) = 1.22 W/kg; SAR(10 g) = 0.672 W/kg

Smallest distance from peaks to all points 3 dB below = 9.4 mm

Ratio of SAR at M2 to SAR at M1 = 53.2%

Maximum value of SAR (measured) = 1.68 W/kg



0 dB = 1.68 W/kg = 2.27 dBW/kg

Unless otherwise stated the results shown in this test report refer only to the sample(s) tested and such sample(s) are retained for 90 days only.
除非另有說明，此報告結果僅對測試之樣品負責，同時此樣品僅保留90天。本報告未經本公司書面許可，不可部份複製。

This document is issued by the Company subject to its General Conditions of Service printed overleaf, available on request or accessible at <http://www.sgs.com.tw/Terms-and-Conditions> and for electronic format documents, subject to Terms and Conditions for Electronic Documents at <http://www.sgs.com.tw/Terms-and-Conditions>. Attention is drawn to the limitation of liability, indemnification and jurisdiction issues defined therein. Any holder of this document is advised that information contained hereon reflects the Company's findings at the time of its intervention only and within the limits of Client's instructions, if any. The Company's sole responsibility is to its Client and this document does not exonerate parties to a transaction from exercising all their rights and obligations under the transaction documents. This document cannot be reproduced except in full, without prior written approval of the Company. Any unauthorized alteration, forgery or falsification of the content or appearance of this document is unlawful and offenders may be prosecuted to the fullest extent of the law.

Report No. :ES202090007

LTE Band 30 (10MHz)_Body_Bottom side_CH 27710_QPSK_1-0_0mm

Communication System: LTE; Frequency: 2310 MHz; Duty cycle= 1:1

Medium parameters used: $f = 2310 \text{ MHz}$; $\sigma = 1.687 \text{ S/m}$; $\epsilon_r = 38.872$; $\rho = 1000 \text{ kg/m}^3$

Phantom section: Flat Section

Ambient temperature: 23.0°C; Liquid temperature: 23.1°C

DASY5 Configuration:

- Probe: EX3DV4 - SN7509; ConvF(7.76, 7.76, 7.76) @ 2310 MHz; Calibrated: 2020/03/25
- Sensor-Surface: 2mm (Mechanical Surface Detection)
- Electronics: DAE4 Sn877; Calibrated: 2020/03/17
- Phantom: ELI
- DASY52 52.10.4(1527); SEMCAD X 14.6.14(7483)

Area Scan (101x81x1): Interpolated grid: $dx=12 \text{ mm}$, $dy=12 \text{ mm}$

Maximum value of SAR (interpolated) = 1.68 W/kg

Zoom Scan (7x7x7)/Cube 0: Measurement grid: $dx=5\text{mm}$, $dy=5\text{mm}$, $dz=5\text{mm}$

Reference Value = 6.463 V/m; Power Drift = -0.10 dB

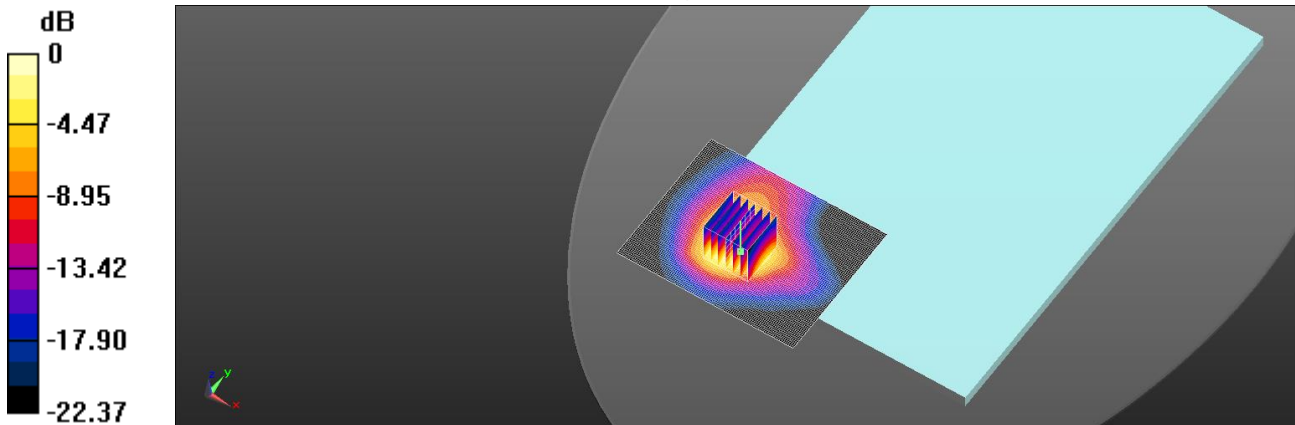
Peak SAR (extrapolated) = 2.35 W/kg

SAR(1 g) = 1.23 W/kg; SAR(10 g) = 0.658 W/kg

Smallest distance from peaks to all points 3 dB below = 6 mm

Ratio of SAR at M2 to SAR at M1 = 43.1%

Maximum value of SAR (measured) = 1.61 W/kg



0 dB = 1.61 W/kg = 2.08 dBW/kg

Unless otherwise stated the results shown in this test report refer only to the sample(s) tested and such sample(s) are retained for 90 days only.

除非另有說明，此報告結果僅對測試之樣品負責，同時此樣品僅保留90天。本報告未經本公司書面許可，不可部份複製。

This document is issued by the Company subject to its General Conditions of Service printed overleaf, available on request or accessible at <http://www.sgs.com.tw/Terms-and-Conditions> and for electronic format documents, subject to Terms and Conditions for Electronic Documents at <http://www.sgs.com.tw/Terms-and-Conditions>. Attention is drawn to the limitation of liability, indemnification and jurisdiction issues defined therein. Any holder of this document is advised that information contained hereon reflects the Company's findings at the time of its intervention only and within the limits of Client's instructions, if any. The Company's sole responsibility is to its Client and this document does not exonerate parties to a transaction from exercising all their rights and obligations under the transaction documents. This document cannot be reproduced except in full, without prior written approval of the Company. Any unauthorized alteration, forgery or falsification of the content or appearance of this document is unlawful and offenders may be prosecuted to the fullest extent of the law.

Report No. :ES202090007

LTE Band 38 (20MHz)_Body_Bottom side_CH 37850_QPSK_1-0_0mm

Communication System: LTE; Frequency: 2580 MHz; Duty cycle= 1:1.59956

Medium parameters used: $f = 2580$ MHz; $\sigma = 1.892$ S/m; $\epsilon_r = 38.239$; $\rho = 1000$ kg/m³

Phantom section: Flat Section

Ambient temperature: 22.3°C; Liquid temperature: 22.7°C

DASY5 Configuration:

- Probe: EX3DV4 - SN7509; ConvF(7.23, 7.23, 7.23) @ 2580 MHz; Calibrated: 2020/03/25
- Sensor-Surface: 2mm (Mechanical Surface Detection)
- Electronics: DAE4 Sn877; Calibrated: 2020/03/17
- Phantom: ELI
- DASY52 52.10.4(1527); SEMCAD X 14.6.14(7483)

Area Scan (101x81x1): Interpolated grid: dx=12 mm, dy=12 mm

Maximum value of SAR (interpolated) = 1.27 W/kg

Zoom Scan (7x7x7)/Cube 0: Measurement grid: dx=5mm, dy=5mm, dz=5mm

Reference Value = 7.314 V/m; Power Drift = -0.13 dB

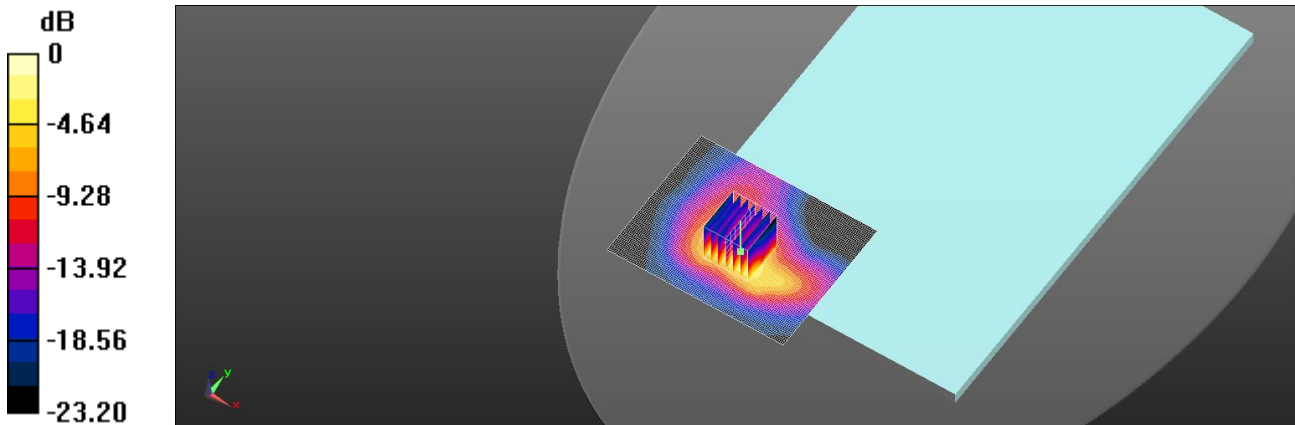
Peak SAR (extrapolated) = 2.12 W/kg

SAR(1 g) = 1.02 W/kg; SAR(10 g) = 0.486 W/kg

Smallest distance from peaks to all points 3 dB below = 5.9 mm

Ratio of SAR at M2 to SAR at M1 = 43.4%

Maximum value of SAR (measured) = 1.44 W/kg



0 dB = 1.44 W/kg = 1.57 dBW/kg

Unless otherwise stated the results shown in this test report refer only to the sample(s) tested and such sample(s) are retained for 90 days only.

除非另有說明，此報告結果僅對測試之樣品負責，同時此樣品僅保留90天。本報告未經本公司書面許可，不可部份複製。

This document is issued by the Company subject to its General Conditions of Service printed overleaf, available on request or accessible at <http://www.sgs.com.tw/Terms-and-Conditions> and for electronic format documents, subject to Terms and Conditions for Electronic Documents at <http://www.sgs.com.tw/Terms-and-Conditions>. Attention is drawn to the limitation of liability, indemnification and jurisdiction issues defined therein. Any holder of this document is advised that information contained hereon reflects the Company's findings at the time of its intervention only and within the limits of Client's instructions, if any. The Company's sole responsibility is to its Client and this document does not exonerate parties to a transaction from exercising all their rights and obligations under the transaction documents. This document cannot be reproduced except in full, without prior written approval of the Company. Any unauthorized alteration, forgery or falsification of the content or appearance of this document is unlawful and offenders may be prosecuted to the fullest extent of the law.

Report No. :ES202090007

LTE Band 41 (20MHz)_Body_Bottom side_CH 41055_QPSK_1-0_0mm

Communication System: LTE; Frequency: 2680 MHz; Duty cycle= 1:1.59956

Medium parameters used: $f = 2680$ MHz; $\sigma = 2.060$ S/m; $\epsilon_r = 37.999$; $\rho = 1000$ kg/m³

Phantom section: Flat Section

Ambient temperature: 22.3°C; Liquid temperature: 22.7°C

DASY5 Configuration:

- Probe: EX3DV4 - SN7509; ConvF(7.23, 7.23, 7.23) @ 2680 MHz; Calibrated: 2020/03/25
- Sensor-Surface: 2mm (Mechanical Surface Detection)
- Electronics: DAE4 Sn877; Calibrated: 2020/03/17
- Phantom: ELI
- DASY52 52.10.4(1527); SEMCAD X 14.6.14(7483)

Area Scan (101x81x1): Interpolated grid: dx=12 mm, dy=12 mm

Maximum value of SAR (interpolated) = 1.57 W/kg

Zoom Scan (7x7x7)/Cube 0: Measurement grid: dx=5mm, dy=5mm, dz=5mm

Reference Value = 5.680 V/m; Power Drift = -0.05 dB

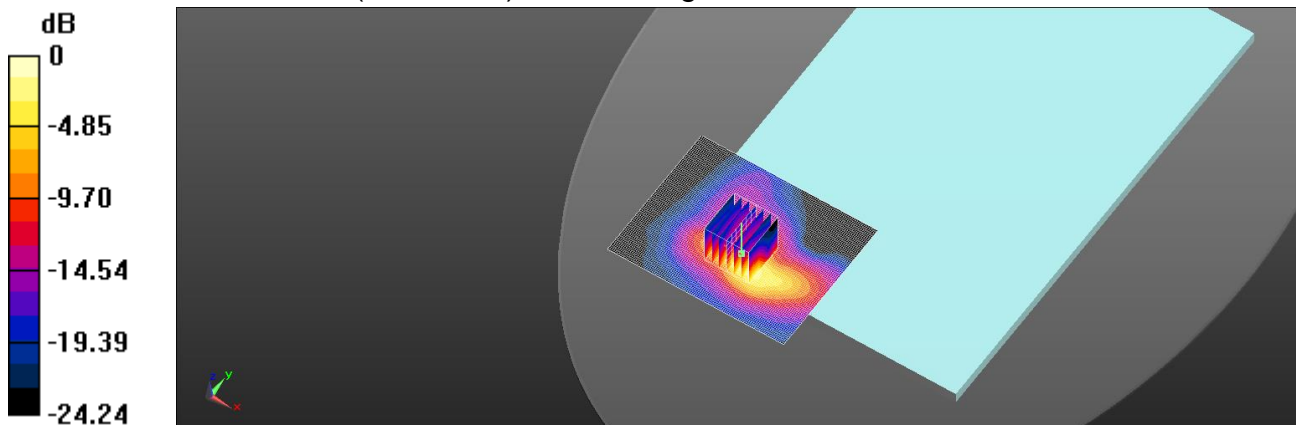
Peak SAR (extrapolated) = 2.50 W/kg

SAR(1 g) = 1.18 W/kg; SAR(10 g) = 0.546 W/kg

Smallest distance from peaks to all points 3 dB below = 5.1 mm

Ratio of SAR at M2 to SAR at M1 = 42.8%

Maximum value of SAR (measured) = 1.66 W/kg



0 dB = 1.66 W/kg = 2.20 dBW/kg

Unless otherwise stated the results shown in this test report refer only to the sample(s) tested and such sample(s) are retained for 90 days only.
除非另有說明，此報告結果僅對測試之樣品負責，同時此樣品僅保留90天。本報告未經本公司書面許可，不可部份複製。

This document is issued by the Company subject to its General Conditions of Service printed overleaf, available on request or accessible at <http://www.sgs.com.tw/Terms-and-Conditions> and for electronic format documents, subject to Terms and Conditions for Electronic Documents at <http://www.sgs.com.tw/Terms-and-Conditions>. Attention is drawn to the limitation of liability, indemnification and jurisdiction issues defined therein. Any holder of this document is advised that information contained hereon reflects the Company's findings at the time of its intervention only and within the limits of Client's instructions, if any. The Company's sole responsibility is to its Client and this document does not exonerate parties to a transaction from exercising all their rights and obligations under the transaction documents. This document cannot be reproduced except in full, without prior written approval of the Company. Any unauthorized alteration, forgery or falsification of the content or appearance of this document is unlawful and offenders may be prosecuted to the fullest extent of the law.

Report No. :ES202090007

**LTE Band 41 (20MHz)_Body_Bottom side_CH 40620_QPSK_1-0
_0mm_HPUE**

Communication System: LTE; Frequency: 2636.5 MHz; Duty cycle= 1:1.59956

Medium parameters used: $f = 2636.5 \text{ MHz}$; $\sigma = 1.989 \text{ S/m}$; $\epsilon_r = 38.030$; $\rho = 1000 \text{ kg/m}^3$

Phantom section: Flat Section

Ambient temperature: 22.3°C; Liquid temperature: 22.7°C

DASY5 Configuration:

- Probe: EX3DV4 - SN7509; ConvF(7.23, 7.23, 7.23) @ 2636.5 MHz; Calibrated: 2020/03/25
- Sensor-Surface: 2mm (Mechanical Surface Detection)
- Electronics: DAE4 Sn877; Calibrated: 2020/03/17
- Phantom: ELI
- DASY52 52.10.4(1527); SEMCAD X 14.6.14(7483)

Area Scan (101x81x1): Interpolated grid: $dx=12 \text{ mm}$, $dy=12 \text{ mm}$

Maximum value of SAR (interpolated) = 1.48 W/kg

Zoom Scan (7x7x7)/Cube 0: Measurement grid: $dx=5\text{mm}$, $dy=5\text{mm}$, $dz=5\text{mm}$

Reference Value = 5.710 V/m; Power Drift = -0.09 dB

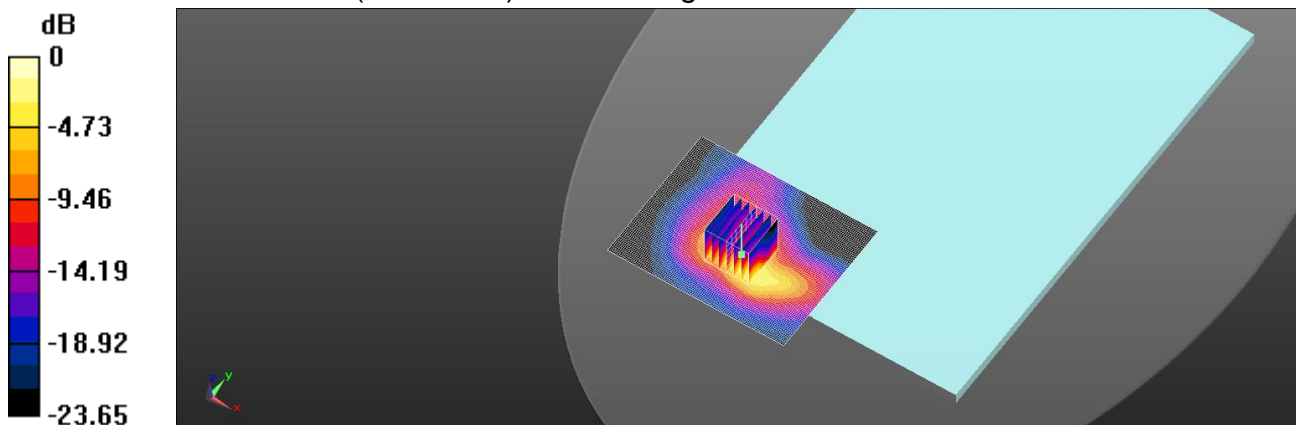
Peak SAR (extrapolated) = 2.46 W/kg

SAR(1 g) = 1.2 W/kg; SAR(10 g) = 0.570 W/kg

Smallest distance from peaks to all points 3 dB below = 5.7 mm

Ratio of SAR at M2 to SAR at M1 = 43.9%

Maximum value of SAR (measured) = 1.59 W/kg



0 dB = 1.59 W/kg = 2.02 dBW/kg

Unless otherwise stated the results shown in this test report refer only to the sample(s) tested and such sample(s) are retained for 90 days only.
除非另有說明，此報告結果僅對測試之樣品負責，同時此樣品僅保留90天。本報告未經本公司書面許可，不可部份複製。

This document is issued by the Company subject to its General Conditions of Service printed overleaf, available on request or accessible at <http://www.sgs.com.tw/Terms-and-Conditions> and for electronic format documents, subject to Terms and Conditions for Electronic Documents at <http://www.sgs.com.tw/Terms-and-Conditions>. Attention is drawn to the limitation of liability, indemnification and jurisdiction issues defined therein. Any holder of this document is advised that information contained hereon reflects the Company's findings at the time of its intervention only and within the limits of Client's instructions, if any. The Company's sole responsibility is to its Client and this document does not exonerate parties to a transaction from exercising all their rights and obligations under the transaction documents. This document cannot be reproduced except in full, without prior written approval of the Company. Any unauthorized alteration, forgery or falsification of the content or appearance of this document is unlawful and offenders may be prosecuted to the fullest extent of the law.

Report No. :ES202090007

LTE Band 66 (20MHz)_Body_Bottom side_CH 132572_QPSK_1-0_0mm

Communication System: LTE; Frequency: 1770 MHz; Duty cycle= 1:1

Medium parameters used: $f = 1770 \text{ MHz}$; $\sigma = 1.390 \text{ S/m}$; $\epsilon_r = 39.808$; $\rho = 1000 \text{ kg/m}^3$

Phantom section: Flat Section

Ambient temperature: 23.1°C; Liquid temperature: 22.0°C

DASY5 Configuration:

- Probe: EX3DV4 - SN7509; ConvF(8.34, 8.34, 8.34) @ 1770 MHz; Calibrated: 2020/03/25
- Sensor-Surface: 2mm (Mechanical Surface Detection)
- Electronics: DAE4 Sn877; Calibrated: 2020/03/17
- Phantom: ELI
- DASY52 52.10.4(1527); SEMCAD X 14.6.14(7483)

Area Scan (81x71x1): Interpolated grid: $dx=15 \text{ mm}$, $dy=15 \text{ mm}$

Maximum value of SAR (interpolated) = 1.45 W/kg

Zoom Scan (5x5x7)/Cube 0: Measurement grid: $dx=8\text{mm}$, $dy=8\text{mm}$, $dz=5\text{mm}$

Reference Value = 2.475 V/m; Power Drift = -0.12 dB

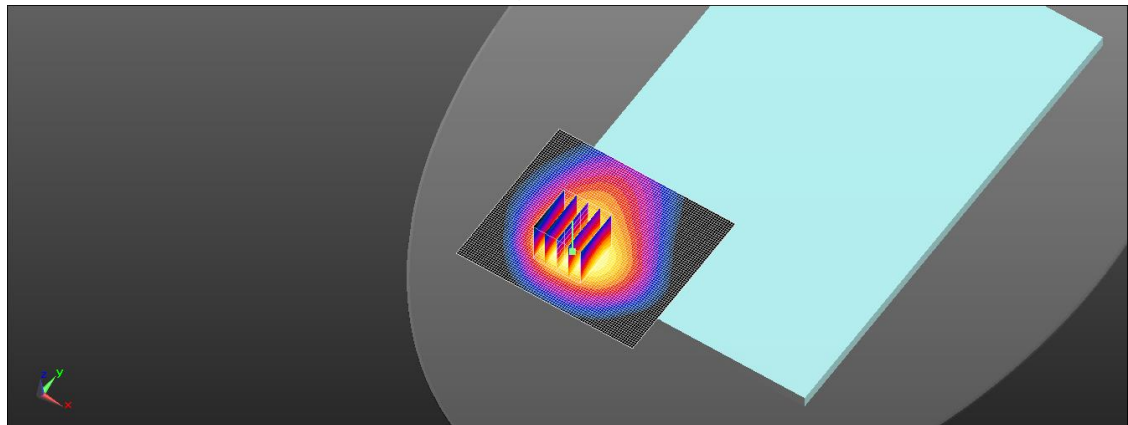
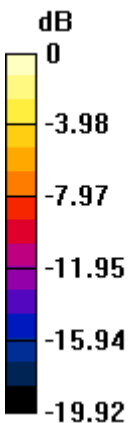
Peak SAR (extrapolated) = 1.76 W/kg

SAR(1 g) = 1.15 W/kg; SAR(10 g) = 0.747 W/kg

Smallest distance from peaks to all points 3 dB below = 9 mm

Ratio of SAR at M2 to SAR at M1 = 47.8%

Maximum value of SAR (measured) = 1.30 W/kg



0 dB = 1.30 W/kg = 1.15 dBW/kg

Unless otherwise stated the results shown in this test report refer only to the sample(s) tested and such sample(s) are retained for 90 days only.

除非另有說明，此報告結果僅對測試之樣品負責，同時此樣品僅保留90天。本報告未經本公司書面許可，不可部份複製。

This document is issued by the Company subject to its General Conditions of Service printed overleaf, available on request or accessible at <http://www.sgs.com.tw/Terms-and-Conditions> and for electronic format documents, subject to Terms and Conditions for Electronic Documents at <http://www.sgs.com.tw/Terms-and-Conditions>. Attention is drawn to the limitation of liability, indemnification and jurisdiction issues defined therein. Any holder of this document is advised that information contained hereon reflects the Company's findings at the time of its intervention only and within the limits of Client's instructions, if any. The Company's sole responsibility is to its Client and this document does not exonerate parties to a transaction from exercising all their rights and obligations under the transaction documents. This document cannot be reproduced except in full, without prior written approval of the Company. Any unauthorized alteration, forgery or falsification of the content or appearance of this document is unlawful and offenders may be prosecuted to the fullest extent of the law.

Report No. :ES202090007

5G NR n2 (20MHz)_Body_Bottom side_CH 372000_BPSK_1-1_0mm

Communication System: 5G NR(20MHz,Pi/2 BPSK,15kHz); Frequency: 1860 MHz; Duty cycle= 1:1

Medium parameters used: $f = 1860 \text{ MHz}$; $\sigma = 1.394 \text{ S/m}$; $\epsilon_r = 39.719$; $\rho = 1000 \text{ kg/m}^3$

Phantom section: Flat Section

Ambient temperature: 23.4°C; Liquid temperature: 22.3°C

DASY5 Configuration:

- Probe: EX3DV4 - SN7509; ConvF(8.07, 8.07, 8.07) @ 1860 MHz; Calibrated: 2020/03/25
- Sensor-Surface: 2mm (Mechanical Surface Detection)
- Electronics: DAE4 Sn877; Calibrated: 2020/03/17
- Phantom: ELI
- DASY52 52.10.4(1527); SEMCAD X 14.6.14(7483)

Area Scan (81x71x1): Interpolated grid: $dx=15 \text{ mm}$, $dy=15 \text{ mm}$

Maximum value of SAR (interpolated) = 1.54 W/kg

Zoom Scan (5x5x7)/Cube 0: Measurement grid: $dx=8\text{mm}$, $dy=8\text{mm}$, $dz=5\text{mm}$

Reference Value = 5.287 V/m; Power Drift = -0.11 dB

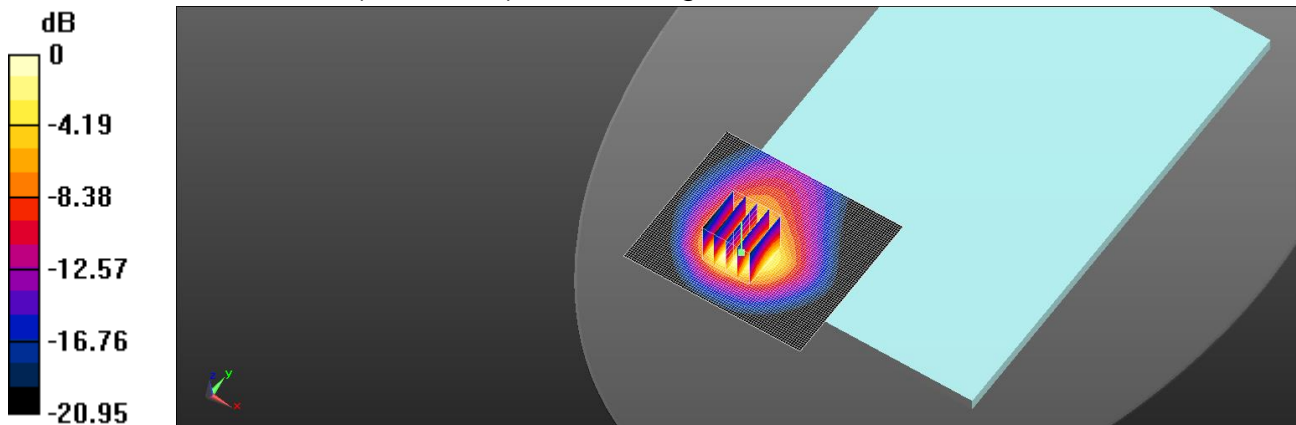
Peak SAR (extrapolated) = 2.08 W/kg

SAR(1 g) = 1.28 W/kg; SAR(10 g) = 0.805 W/kg

Smallest distance from peaks to all points 3 dB below = 8.2 mm

Ratio of SAR at M2 to SAR at M1 = 42.6%

Maximum value of SAR (measured) = 1.45 W/kg



0 dB = 1.45 W/kg = 1.61 dBW/kg

Unless otherwise stated the results shown in this test report refer only to the sample(s) tested and such sample(s) are retained for 90 days only.

除非另有說明，此報告結果僅對測試之樣品負責，同時此樣品僅保留90天。本報告未經本公司書面許可，不可部份複製。

This document is issued by the Company subject to its General Conditions of Service printed overleaf, available on request or accessible at <http://www.sgs.com.tw/Terms-and-Conditions> and for electronic format documents, subject to Terms and Conditions for Electronic Documents at <http://www.sgs.com.tw/Terms-and-Conditions>. Attention is drawn to the limitation of liability, indemnification and jurisdiction issues defined therein. Any holder of this document is advised that information contained hereon reflects the Company's findings at the time of its intervention only and within the limits of Client's instructions, if any. The Company's sole responsibility is to its Client and this document does not exonerate parties to a transaction from exercising all their rights and obligations under the transaction documents. This document cannot be reproduced except in full, without prior written approval of the Company. Any unauthorized alteration, forgery or falsification of the content or appearance of this document is unlawful and offenders may be prosecuted to the fullest extent of the law.

Report No. :ES202090007

5G NR n5 (20MHz)_Body_Bottom side_CH 167300_BPSK_1-1_0mm

Communication System: 5G NR(20MHz,Pi/2 BPSK,15kHz); Frequency: 836.5 MHz; Duty cycle= 1:1

Medium parameters used: $f = 836.5 \text{ MHz}$; $\sigma = 0.928 \text{ S/m}$; $\epsilon_r = 41.888$; $\rho = 1000 \text{ kg/m}^3$

Phantom section: Flat Section

Ambient temperature: 22.9°C; Liquid temperature: 23.0°C

DASY5 Configuration:

- Probe: EX3DV4 - SN7509; ConvF(9.73, 9.73, 9.73) @ 836MHz;
Calibrated: 2020/03/25
- Sensor-Surface: 2mm (Mechanical Surface Detection)
- Electronics: DAE4 Sn877; Calibrated: 2020/03/17
- Phantom: ELI
- DASY52 52.10.4(1527); SEMCAD X 14.6.14(7483)

Area Scan (81x71x1): Interpolated grid: $dx=15 \text{ mm}$, $dy=15 \text{ mm}$

Maximum value of SAR (interpolated) = 1.77 W/kg

Zoom Scan (5x5x7)/Cube 0: Measurement grid: $dx=8\text{mm}$, $dy=8\text{mm}$, $dz=5\text{mm}$

Reference Value = 3.235 V/m; Power Drift = 0.15 dB

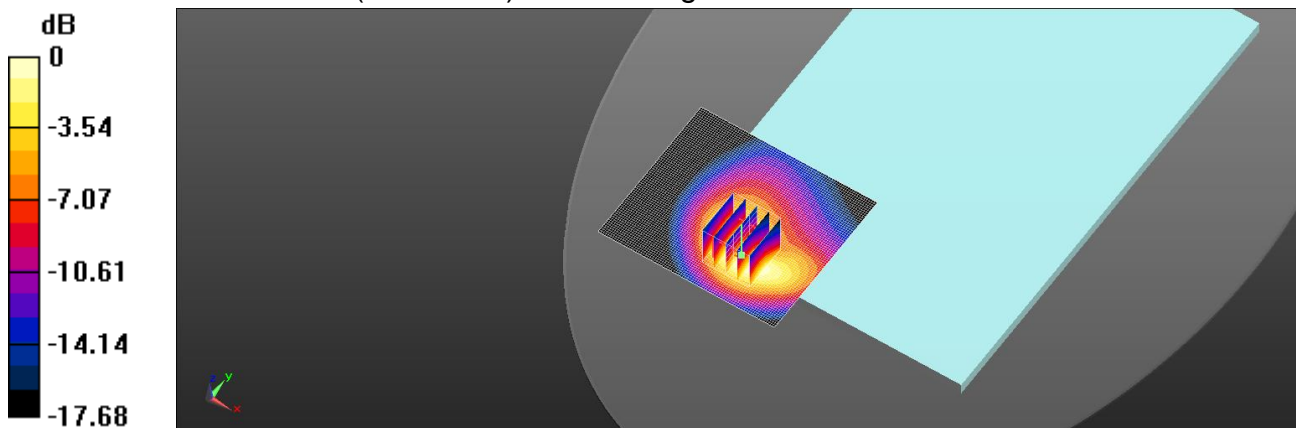
Peak SAR (extrapolated) = 2.09 W/kg

SAR(1 g) = 1.11 W/kg; SAR(10 g) = 0.610 W/kg

Smallest distance from peaks to all points 3 dB below = 9.3 mm

Ratio of SAR at M2 to SAR at M1 = 49.2%

Maximum value of SAR (measured) = 1.56 W/kg



0 dB = 1.56 W/kg = 1.94 dBW/kg

Unless otherwise stated the results shown in this test report refer only to the sample(s) tested and such sample(s) are retained for 90 days only.

除非另有說明，此報告結果僅對測試之樣品負責，同時此樣品僅保留90天。本報告未經本公司書面許可，不可部份複製。

This document is issued by the Company subject to its General Conditions of Service printed overleaf, available on request or accessible at <http://www.sgs.com.tw/Terms-and-Conditions> and for electronic format documents, subject to Terms and Conditions for Electronic Documents at <http://www.sgs.com.tw/Terms-and-Conditions>. Attention is drawn to the limitation of liability, indemnification and jurisdiction issues defined therein. Any holder of this document is advised that information contained hereon reflects the Company's findings at the time of its intervention only and within the limits of Client's instructions, if any. The Company's sole responsibility is to its Client and this document does not exonerate parties to a transaction from exercising all their rights and obligations under the transaction documents. This document cannot be reproduced except in full, without prior written approval of the Company. Any unauthorized alteration, forgery or falsification of the content or appearance of this document is unlawful and offenders may be prosecuted to the fullest extent of the law.

Report No. :ES202090007

5G NR n12 (15MHz)_Body_Bottom side_CH 141300_BPSK_1-1_0mm

Communication System: 5G NR(15MHz, Pi/2 BPSK,15kHz; Frequency: 706.5 MHz; Duty cycle= 1:1

Medium parameters used: $f = 706.5 \text{ MHz}$; $\sigma = 0.869 \text{ S/m}$; $\epsilon_r = 42.936$; $\rho = 1000 \text{ kg/m}^3$

Phantom section: Flat Section

Ambient temperature: 22.5°C; Liquid temperature: 22.8°C

DASY5 Configuration:

- Probe: EX3DV4 - SN7509; ConvF(9.94, 9.94, 9.94) @ 706.5 MHz;
Calibrated: 2020/03/25
- Sensor-Surface: 2mm (Mechanical Surface Detection)
- Electronics: DAE4 Sn877; Calibrated: 2020/03/17
- Phantom: ELI
- DASY52 52.10.4(1527); SEMCAD X 14.6.14(7483)

Area Scan (81x71x1): Interpolated grid: $dx=15 \text{ mm}$, $dy=15 \text{ mm}$

Maximum value of SAR (interpolated) = 1.66 W/kg

Zoom Scan (5x5x7)/Cube 0: Measurement grid: $dx=8\text{mm}$, $dy=8\text{mm}$, $dz=5\text{mm}$

Reference Value = 1.881 V/m; Power Drift = 0.08 dB

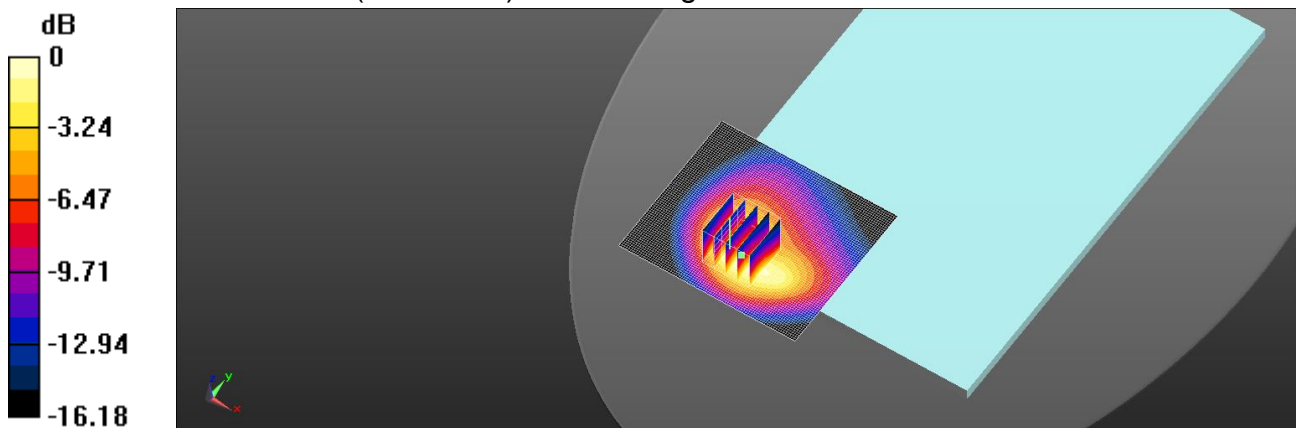
Peak SAR (extrapolated) = 2.27 W/kg

SAR(1 g) = 1.21 W/kg; SAR(10 g) = 0.692 W/kg

Smallest distance from peaks to all points 3 dB below = 9.4 mm

Ratio of SAR at M2 to SAR at M1 = 59.6%

Maximum value of SAR (measured) = 1.55 W/kg



0 dB = 1.55 W/kg = 1.89 dBW/kg

Unless otherwise stated the results shown in this test report refer only to the sample(s) tested and such sample(s) are retained for 90 days only.

除非另有說明，此報告結果僅對測試之樣品負責，同時此樣品僅保留90天。本報告未經本公司書面許可，不可部份複製。

This document is issued by the Company subject to its General Conditions of Service printed overleaf, available on request or accessible at <http://www.sgs.com.tw/Terms-and-Conditions> and for electronic format documents, subject to Terms and Conditions for Electronic Documents at <http://www.sgs.com.tw/Terms-and-Conditions>. Attention is drawn to the limitation of liability, indemnification and jurisdiction issues defined therein. Any holder of this document is advised that information contained hereon reflects the Company's findings at the time of its intervention only and within the limits of Client's instructions, if any. The Company's sole responsibility is to its Client and this document does not exonerate parties to a transaction from exercising all their rights and obligations under the transaction documents. This document cannot be reproduced except in full, without prior written approval of the Company. Any unauthorized alteration, forgery or falsification of the content or appearance of this document is unlawful and offenders may be prosecuted to the fullest extent of the law.

Report No. :ES202090007

5G NR n66 (20MHz)_Body_Bottom side_CH 344000_BPSK_1-1_0mm

Communication System: 5G NR(20MHz,Pi/2 BPSK,15kHz); Frequency: 1770 MHz; Duty cycle= 1:1

Medium parameters used: $f = 1770 \text{ MHz}$; $\sigma = 1.390 \text{ S/m}$; $\epsilon_r = 39.808$; $\rho = 1000 \text{ kg/m}^3$

Phantom section: Flat Section

Ambient temperature: 23.1°C; Liquid temperature: 22.0°C

DASY5 Configuration:

- Probe: EX3DV4 - SN7509; ConvF(8.34, 8.34, 8.34) @ 1770 MHz; Calibrated: 2020/03/25
- Sensor-Surface: 2mm (Mechanical Surface Detection)
- Electronics: DAE4 Sn877; Calibrated: 2020/03/17
- Phantom: ELI
- DASY52 52.10.4(1527); SEMCAD X 14.6.14(7483)

Area Scan (81x71x1): Interpolated grid: dx=15 mm, dy=15 mm

Maximum value of SAR (interpolated) = 1.57 W/kg

Zoom Scan (5x5x7)/Cube 0: Measurement grid: dx=8mm, dy=8mm, dz=5mm

Reference Value = 5.652 V/m; Power Drift = 0.14 dB

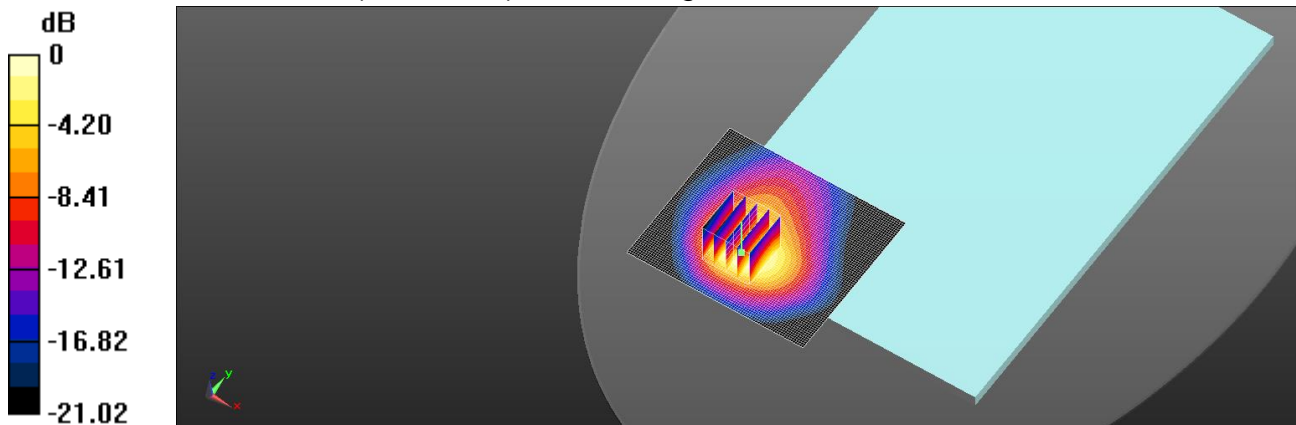
Peak SAR (extrapolated) = 1.95 W/kg

SAR(1 g) = 1.22 W/kg; SAR(10 g) = 0.783 W/kg

Smallest distance from peaks to all points 3 dB below = 8.2 mm

Ratio of SAR at M2 to SAR at M1 = 43.2%

Maximum value of SAR (measured) = 1.33 W/kg



0 dB = 1.33 W/kg = 1.25 dBW/kg

Unless otherwise stated the results shown in this test report refer only to the sample(s) tested and such sample(s) are retained for 90 days only.
 除非另有說明，此報告結果僅對測試之樣品負責，同時此樣品僅保留90天。本報告未經本公司書面許可，不可部份複製。

This document is issued by the Company subject to its General Conditions of Service printed overleaf, available on request or accessible at <http://www.sgs.com.tw/Terms-and-Conditions> and for electronic format documents, subject to Terms and Conditions for Electronic Documents at <http://www.sgs.com.tw/Terms-and-Conditions>. Attention is drawn to the limitation of liability, indemnification and jurisdiction issues defined therein. Any holder of this document is advised that information contained hereon reflects the Company's findings at the time of its intervention only and within the limits of Client's instructions, if any. The Company's sole responsibility is to its Client and this document does not exonerate parties to a transaction from exercising all their rights and obligations under the transaction documents. This document cannot be reproduced except in full, without prior written approval of the Company. Any unauthorized alteration, forgery or falsification of the content or appearance of this document is unlawful and offenders may be prosecuted to the fullest extent of the law.

Report No. :ES202090007

LTE Band 2 (20MHz)_Body_Top side_CH 18900_QPSK_1-0_0mm

Communication System: LTE; Frequency: 1880 MHz; Duty cycle= 1:1

Medium parameters used: $f = 1880 \text{ MHz}$; $\sigma = 1.426 \text{ S/m}$; $\epsilon_r = 39.663$; $\rho = 1000 \text{ kg/m}^3$

Phantom section: Flat Section

Ambient temperature: 21.8°C; Liquid temperature: 22.4°C

DASY5 Configuration:

- Probe: EX3DV4 – SN7509; ConvF(8.07, 8.07, 8.07) @ 1880 MHz; Calibrated: 2020/03/25
- Sensor-Surface: 2mm (Mechanical Surface Detection)
- Electronics: DAE4 Sn877; Calibrated: 2020/03/17
- Phantom: ELI
- DASY52 52.10.4(1527); SEMCAD X 14.6.14(7483)

Area Scan (61x131x1): Interpolated grid: dx=15 mm, dy=15 mm

Maximum value of SAR (interpolated) = 0.657 W/kg

Zoom Scan (5x5x7)/Cube 0: Measurement grid: dx=8mm, dy=8mm, dz=5mm

Reference Value = 19.53 V/m; Power Drift = 0.08 dB

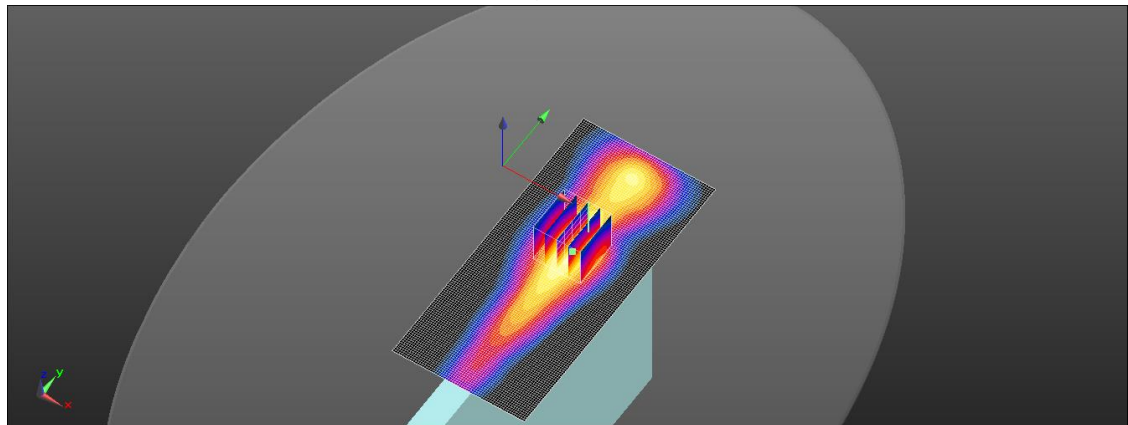
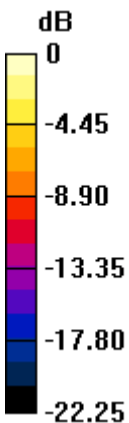
Peak SAR (extrapolated) = 1.03 W/kg

SAR(1 g) = 0.671 W/kg; SAR(10 g) = 0.430 W/kg

Smallest distance from peaks to all points 3 dB below = 8.4 mm

Ratio of SAR at M2 to SAR at M1 = 37.5%

Maximum value of SAR (measured) = 0.706 W/kg



0 dB = 0.706 W/kg = -1.51 dBW/kg

Unless otherwise stated the results shown in this test report refer only to the sample(s) tested and such sample(s) are retained for 90 days only.

除非另有說明，此報告結果僅對測試之樣品負責，同時此樣品僅保留90天。本報告未經本公司書面許可，不可部份複製。

This document is issued by the Company subject to its General Conditions of Service printed overleaf, available on request or accessible at <http://www.sgs.com.tw/Terms-and-Conditions> and for electronic format documents, subject to Terms and Conditions for Electronic Documents at <http://www.sgs.com.tw/Terms-and-Conditions>. Attention is drawn to the limitation of liability, indemnification and jurisdiction issues defined therein. Any holder of this document is advised that information contained hereon reflects the Company's findings at the time of its intervention only and within the limits of Client's instructions, if any. The Company's sole responsibility is to its Client and this document does not exonerate parties to a transaction from exercising all their rights and obligations under the transaction documents. This document cannot be reproduced except in full, without prior written approval of the Company. Any unauthorized alteration, forgery or falsification of the content or appearance of this document is unlawful and offenders may be prosecuted to the fullest extent of the law.

Report No. :ES202090007

LTE Band 7 (20MHz)_Body_Top side_CH 21100_QPSK_1-0_0mm

Communication System: LTE; Frequency: 2535 MHz; Duty cycle= 1:1

Medium parameters used: $f = 2535 \text{ MHz}$; $\sigma = 1.875 \text{ S/m}$; $\epsilon_r = 38.587$; $\rho = 1000 \text{ kg/m}^3$

Phantom section: Flat Section

Ambient temperature: 21.6°C; Liquid temperature: 22.1°C

DASY5 Configuration:

- Probe: EX3DV4 – SN7509; ConvF(7.23, 7.23, 7.23) @ 2535 MHz; Calibrated: 2020/03/25
- Sensor-Surface: 2mm (Mechanical Surface Detection)
- Electronics: DAE4 Sn877; Calibrated: 2020/03/17
- Phantom: ELI
- DASY52 52.10.4(1527); SEMCAD X 14.6.14(7483)

Area Scan (71x161x1): Interpolated grid: dx=12 mm, dy=12 mm

Maximum value of SAR (interpolated) = 0.628 W/kg

Zoom Scan (7x7x7)/Cube 0: Measurement grid: dx=5mm, dy=5mm, dz=5mm

Reference Value = 5.632 V/m; Power Drift = 0.13 dB

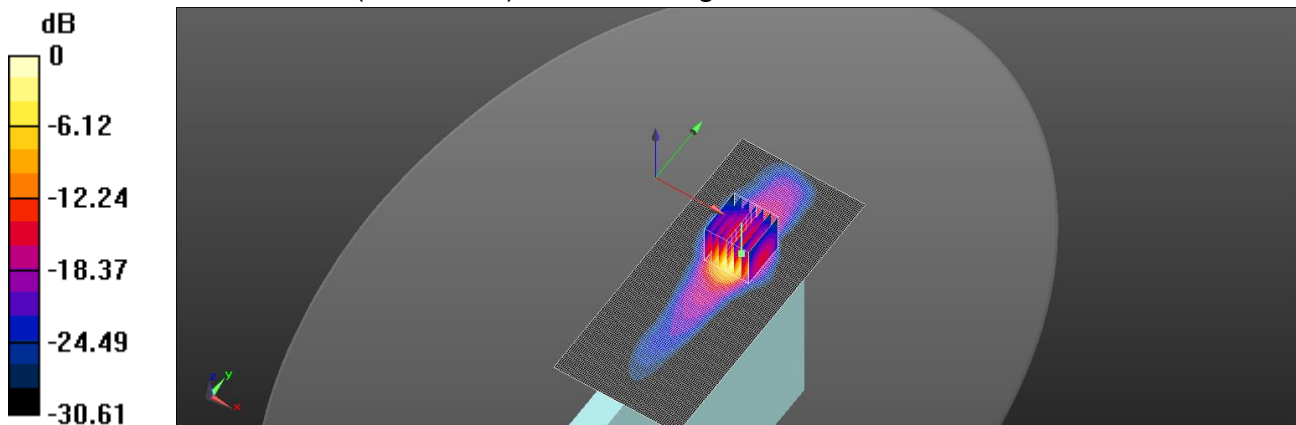
Peak SAR (extrapolated) = 0.927 W/kg

SAR(1 g) = 0.689 W/kg; SAR(10 g) = 0.490 W/kg

Smallest distance from peaks to all points 3 dB below = 6 mm

Ratio of SAR at M2 to SAR at M1 = 39.7%

Maximum value of SAR (measured) = 0.608 W/kg



0 dB = 0.608 W/kg = -2.16 dBW/kg

Unless otherwise stated the results shown in this test report refer only to the sample(s) tested and such sample(s) are retained for 90 days only.
 除非另有說明，此報告結果僅對測試之樣品負責，同時此樣品僅保留90天。本報告未經本公司書面許可，不可部份複製。

This document is issued by the Company subject to its General Conditions of Service printed overleaf, available on request or accessible at <http://www.sgs.com.tw/Terms-and-Conditions> and for electronic format documents, subject to Terms and Conditions for Electronic Documents at <http://www.sgs.com.tw/Terms-and-Conditions>. Attention is drawn to the limitation of liability, indemnification and jurisdiction issues defined therein. Any holder of this document is advised that information contained hereon reflects the Company's findings at the time of its intervention only and within the limits of Client's instructions, if any. The Company's sole responsibility is to its Client and this document does not exonerate parties to a transaction from exercising all their rights and obligations under the transaction documents. This document cannot be reproduced except in full, without prior written approval of the Company. Any unauthorized alteration, forgery or falsification of the content or appearance of this document is unlawful and offenders may be prosecuted to the fullest extent of the law.

Report No. :ES202090007

LTE Band 42 (20MHz)_Body_Top side_CH 43490_QPSK_1-0_0mm

Communication System: LTE; Frequency: 3590 MHz; Duty cycle= 1:1.59956

Medium parameters used: $f = 3590$ MHz; $\sigma = 3.007$ S/m; $\epsilon_r = 37.642$; $\rho = 1000$ kg/m³

Phantom section: Flat Section

Ambient temperature: 22.4°C; Liquid temperature: 22.3°C

DASY5 Configuration:

- Probe: EX3DV4 – SN7509; ConvF(6.73, 6.73, 6.73) @ 3590 MHz; Calibrated: 2020/03/25
- Sensor-Surface: 2mm (Mechanical Surface Detection)
- Electronics: DAE4 Sn877; Calibrated: 2020/03/17
- Phantom: ELI
- DASY52 52.10.4(1527); SEMCAD X 14.6.14(7483)

Area Scan (71x161x1): Interpolated grid: dx=12 mm, dy=12 mm

Maximum value of SAR (interpolated) = 0.634 W/kg

Zoom Scan (7x7x10)/Cube 0: Measurement grid: dx=5mm, dy=5mm, dz=3mm

Reference Value = 5.389 V/m; Power Drift = 0.19 dB

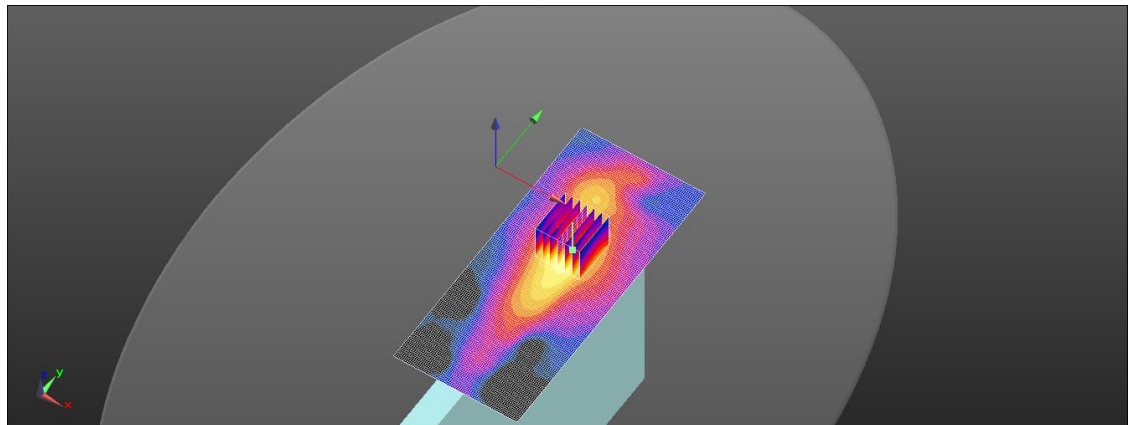
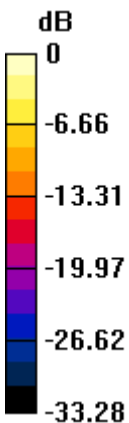
Peak SAR (extrapolated) = 1.08 W/kg

SAR(1 g) = 0.638 W/kg; SAR(10 g) = 0.363 W/kg

Smallest distance from peaks to all points 3 dB below = 7 mm

Ratio of SAR at M2 to SAR at M1 = 52.1%

Maximum value of SAR (measured) = 0.694 W/kg



0 dB = 0.694 W/kg = -1.59 dBW/kg

Unless otherwise stated the results shown in this test report refer only to the sample(s) tested and such sample(s) are retained for 90 days only.

除非另有說明，此報告結果僅對測試之樣品負責，同時此樣品僅保留90天。本報告未經本公司書面許可，不可部份複製。

This document is issued by the Company subject to its General Conditions of Service printed overleaf, available on request or accessible at <http://www.sgs.com.tw/Terms-and-Conditions> and for electronic format documents, subject to Terms and Conditions for Electronic Documents at <http://www.sgs.com.tw/Terms-and-Conditions>. Attention is drawn to the limitation of liability, indemnification and jurisdiction issues defined therein. Any holder of this document is advised that information contained hereon reflects the Company's findings at the time of its intervention only and within the limits of Client's instructions, if any. The Company's sole responsibility is to its Client and this document does not exonerate parties to a transaction from exercising all their rights and obligations under the transaction documents. This document cannot be reproduced except in full, without prior written approval of the Company. Any unauthorized alteration, forgery or falsification of the content or appearance of this document is unlawful and offenders may be prosecuted to the fullest extent of the law.

Report No. :ES202090007

LTE Band 48 (20MHz)_Body_Top side_CH 55340_QPSK_1-0_0mm

Communication System: LTE; Frequency: 3560 MHz; Duty cycle= 1:1.59956

Medium parameters used: $f = 3560$ MHz; $\sigma = 2.995$ S/m; $\epsilon_r = 37.731$; $\rho = 1000$ kg/m³

Phantom section: Flat Section

Ambient temperature: 22.4°C; Liquid temperature: 22.3°C

DASY5 Configuration:

- Probe: EX3DV4 – SN7509; ConvF(6.73, 6.73, 6.73) @ 3560 MHz; Calibrated: 2020/03/25
- Sensor-Surface: 2mm (Mechanical Surface Detection)
- Electronics: DAE4 Sn877; Calibrated: 2020/03/17
- Phantom: ELI
- DASY52 52.10.4(1527); SEMCAD X 14.6.14(7483)

Area Scan (71x161x1): Interpolated grid: dx=12 mm, dy=12 mm

Maximum value of SAR (interpolated) = 0.766 W/kg

Zoom Scan (7x7x10)/Cube 0: Measurement grid: dx=5mm, dy=5mm, dz=3mm

Reference Value = 4.053 V/m; Power Drift = 0.06 dB

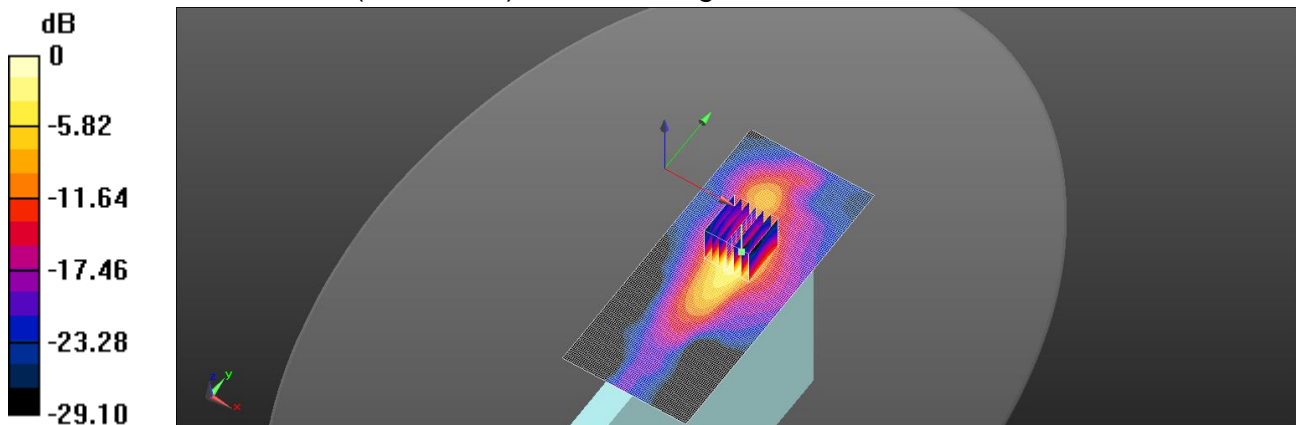
Peak SAR (extrapolated) = 1.26 W/kg

SAR(1 g) = 0.649 W/kg; SAR(10 g) = 0.330 W/kg

Smallest distance from peaks to all points 3 dB below = 6.1 mm

Ratio of SAR at M2 to SAR at M1 = 52%

Maximum value of SAR (measured) = 0.799 W/kg



0 dB = 0.799 W/kg = -0.97 dBW/kg

Unless otherwise stated the results shown in this test report refer only to the sample(s) tested and such sample(s) are retained for 90 days only.
 除非另有說明，此報告結果僅對測試之樣品負責，同時此樣品僅保留90天。本報告未經本公司書面許可，不可部份複製。

This document is issued by the Company subject to its General Conditions of Service printed overleaf, available on request or accessible at <http://www.sgs.com.tw/Terms-and-Conditions> and for electronic format documents, subject to Terms and Conditions for Electronic Documents at <http://www.sgs.com.tw/Terms-and-Conditions>. Attention is drawn to the limitation of liability, indemnification and jurisdiction issues defined therein. Any holder of this document is advised that information contained hereon reflects the Company's findings at the time of its intervention only and within the limits of Client's instructions, if any. The Company's sole responsibility is to its Client and this document does not exonerate parties to a transaction from exercising all their rights and obligations under the transaction documents. This document cannot be reproduced except in full, without prior written approval of the Company. Any unauthorized alteration, forgery or falsification of the content or appearance of this document is unlawful and offenders may be prosecuted to the fullest extent of the law.

Report No. :ES202090007

LTE Band 66 (20MHz)_Body_Top side_CH 132322_QPSK_1-0_0mm

Communication System: LTE; Frequency: 1745 MHz; Duty cycle= 1:1

Medium parameters used: $f = 1745 \text{ MHz}$; $\sigma = 1.379 \text{ S/m}$; $\epsilon_r = 40.893$; $\rho = 1000 \text{ kg/m}^3$

Phantom section: Flat Section

Ambient temperature: 21.9°C; Liquid temperature: 21.7°C

DASY5 Configuration:

DASY5 Configuration:

- Probe: EX3DV4 – SN7509; ConvF(8.34, 8.34, 8.34) @ 1745 MHz; Calibrated: 2020/03/25
- Sensor-Surface: 2mm (Mechanical Surface Detection)
- Electronics: DAE4 Sn877; Calibrated: 2020/03/17
- Phantom: ELI
- DASY52 52.10.4(1527); SEMCAD X 14.6.14(7483)

Area Scan (61x131x1): Interpolated grid: $dx=15 \text{ mm}$, $dy=15 \text{ mm}$

Maximum value of SAR (interpolated) = 0.771 W/kg

Zoom Scan (5x5x7)/Cube 0: Measurement grid: $dx=8\text{mm}$, $dy=8\text{mm}$, $dz=5\text{mm}$

Reference Value = 18.14 V/m; Power Drift = 0.19 dB

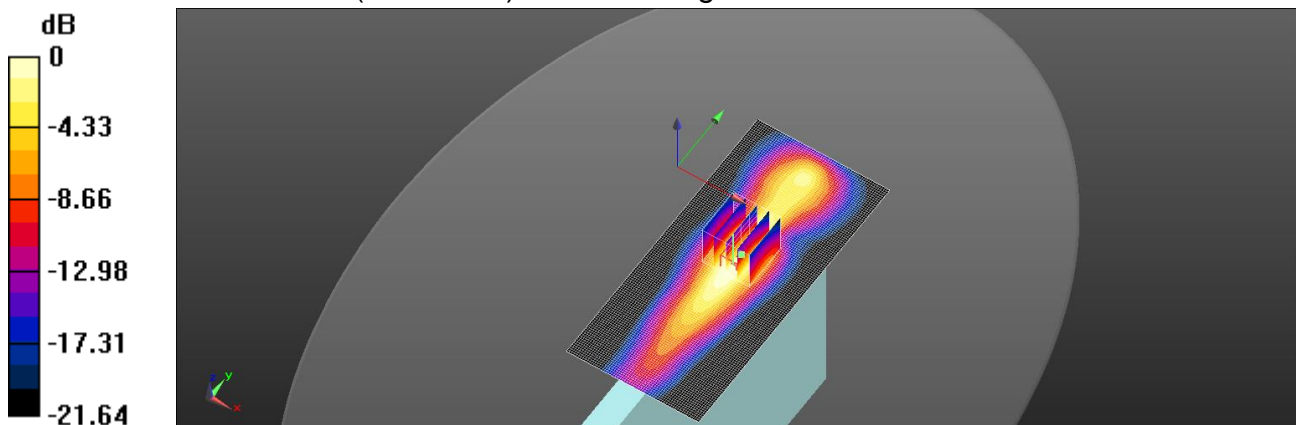
Peak SAR (extrapolated) = 0.986 W/kg

SAR(1 g) = 0.669 W/kg; SAR(10 g) = 0.432 W/kg

Smallest distance from peaks to all points 3 dB below = 9.3 mm

Ratio of SAR at M2 to SAR at M1 = 52.6%

Maximum value of SAR (measured) = 0.752 W/kg



0 dB = 0.752 W/kg = -1.24 dBW/kg

Unless otherwise stated the results shown in this test report refer only to the sample(s) tested and such sample(s) are retained for 90 days only.
 除非另有說明，此報告結果僅對測試之樣品負責，同時此樣品僅保留90天。本報告未經本公司書面許可，不可部份複製。

This document is issued by the Company subject to its General Conditions of Service printed overleaf, available on request or accessible at <http://www.sgs.com.tw/Terms-and-Conditions> and for electronic format documents, subject to Terms and Conditions for Electronic Documents at <http://www.sgs.com.tw/Terms-and-Conditions>. Attention is drawn to the limitation of liability, indemnification and jurisdiction issues defined therein. Any holder of this document is advised that information contained hereon reflects the Company's findings at the time of its intervention only and within the limits of Client's instructions, if any. The Company's sole responsibility is to its Client and this document does not exonerate parties to a transaction from exercising all their rights and obligations under the transaction documents. This document cannot be reproduced except in full, without prior written approval of the Company. Any unauthorized alteration, forgery or falsification of the content or appearance of this document is unlawful and offenders may be prosecuted to the fullest extent of the law.

Report No. :ES202090007

5G NR n2 (20MHz)_Body_Top side_CH 372000_BPSK_1-1_0mm

Communication System: 5G NR(20MHz,Pi/2 BPSK,15kHz); Frequency: 1860 MHz; Duty cycle= 1:1

Medium parameters used: $f = 1860 \text{ MHz}$; $\sigma = 1.416 \text{ S/m}$; $\epsilon_r = 39.719$; $\rho = 1000 \text{ kg/m}^3$

Phantom section: Flat Section

Ambient temperature: 21.8°C; Liquid temperature: 22.4°C

DASY5 Configuration:

- Probe: EX3DV4 – SN7509; ConvF(8.07, 8.07, 8.07) @ 1860 MHz; Calibrated: 2020/03/25
- Sensor-Surface: 2mm (Mechanical Surface Detection)
- Electronics: DAE4 Sn877; Calibrated: 2020/03/17
- Phantom: ELI
- DASY52 52.10.4(1527); SEMCAD X 14.6.14(7483)

Area Scan (61x131x1): Interpolated grid: $dx=15 \text{ mm}$, $dy=15 \text{ mm}$

Maximum value of SAR (interpolated) = 0.794 W/kg

Zoom Scan (5x5x7)/Cube 0: Measurement grid: $dx=8\text{mm}$, $dy=8\text{mm}$, $dz=5\text{mm}$

Reference Value = 12.94 V/m; Power Drift = 0.13 dB

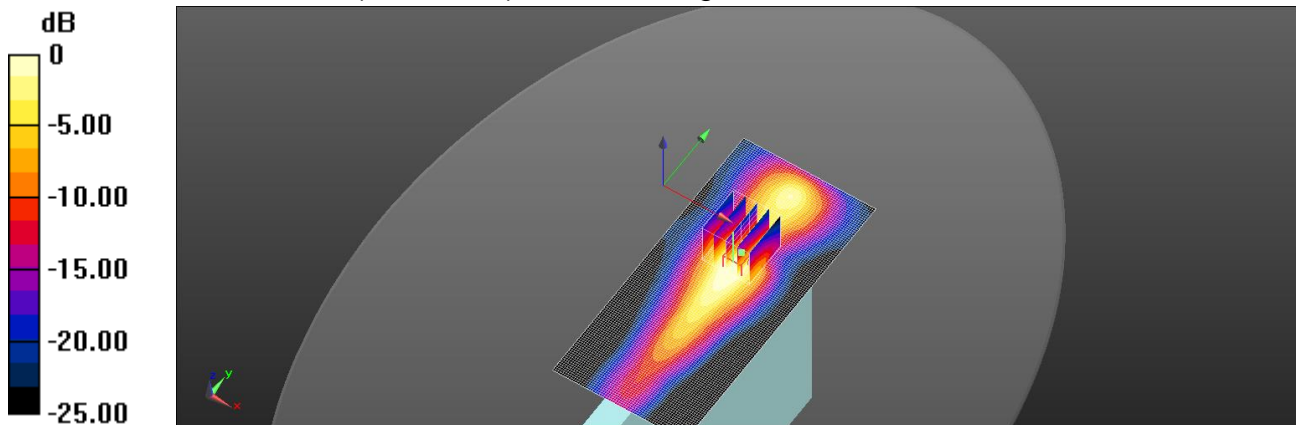
Peak SAR (extrapolated) = 1.18 W/kg

SAR(1 g) = 0.656 W/kg; SAR(10 g) = 0.384 W/kg

Smallest distance from peaks to all points 3 dB below = 8.4 mm

Ratio of SAR at M2 to SAR at M1 = 42%

Maximum value of SAR (measured) = 0.652 W/kg



0 dB = 0.652 W/kg = -1.86 dBW/kg

Unless otherwise stated the results shown in this test report refer only to the sample(s) tested and such sample(s) are retained for 90 days only.

除非另有說明，此報告結果僅對測試之樣品負責，同時此樣品僅保留90天。本報告未經本公司書面許可，不可部份複製。

This document is issued by the Company subject to its General Conditions of Service printed overleaf, available on request or accessible at <http://www.sgs.com.tw/Terms-and-Conditions> and for electronic format documents, subject to Terms and Conditions for Electronic Documents at <http://www.sgs.com.tw/Terms-and-Conditions>. Attention is drawn to the limitation of liability, indemnification and jurisdiction issues defined therein. Any holder of this document is advised that information contained hereon reflects the Company's findings at the time of its intervention only and within the limits of Client's instructions, if any. The Company's sole responsibility is to its Client and this document does not exonerate parties to a transaction from exercising all their rights and obligations under the transaction documents. This document cannot be reproduced except in full, without prior written approval of the Company. Any unauthorized alteration, forgery or falsification of the content or appearance of this document is unlawful and offenders may be prosecuted to the fullest extent of the law.

Report No. :ES202090007

5G NR n7 (20MHz)_Body_Top side_CH 512000_BPSK_1-1_0mm

Communication System: 5G NR(20MHz,Pi/2 BPSK,15kHz); Frequency: 2560 MHz; Duty cycle= 1:1

Medium parameters used: $f = 2560 \text{ MHz}$; $\sigma = 1.903 \text{ S/m}$; $\epsilon_r = 38.366$; $\rho = 1000 \text{ kg/m}^3$

Phantom section: Flat Section

Ambient temperature: 21.6°C; Liquid temperature: 22.1°C

DASY5 Configuration:

- Probe: EX3DV4 – SN7509; ConvF(7.23, 7.23, 7.23) @ 2560 MHz; Calibrated: 2020/03/25
- Sensor-Surface: 2mm (Mechanical Surface Detection)
- Electronics: DAE4 Sn877; Calibrated: 2020/03/17
- Phantom: ELI
- DASY52 52.10.4(1527); SEMCAD X 14.6.14(7483)

Area Scan (71x161x1): Interpolated grid: $dx=12 \text{ mm}$, $dy=12 \text{ mm}$

Maximum value of SAR (interpolated) = 0.522 W/kg

Zoom Scan (7x7x7)/Cube 0: Measurement grid: $dx=5\text{mm}$, $dy=5\text{mm}$, $dz=5\text{mm}$

Reference Value = 4.294 V/m; Power Drift = 0.16 dB

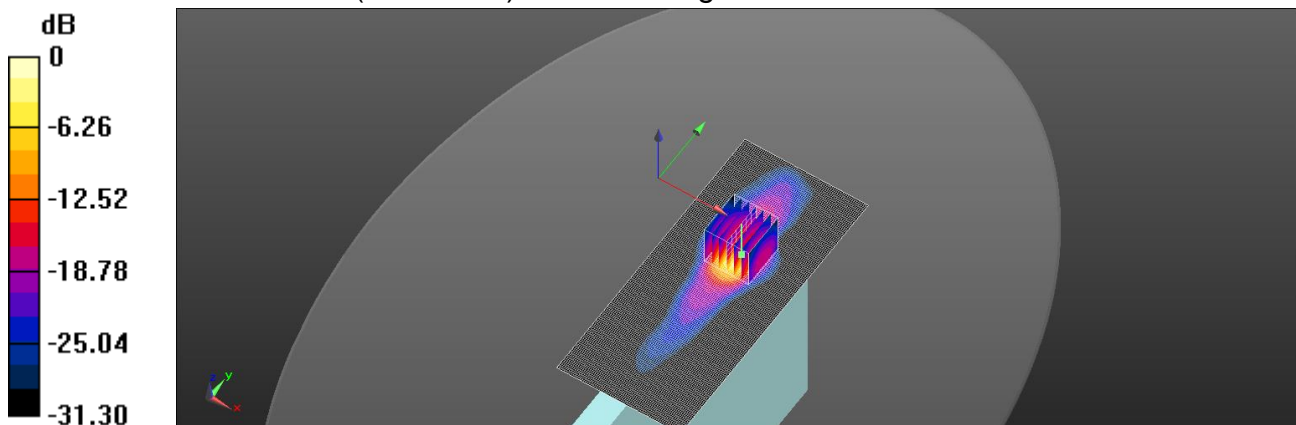
Peak SAR (extrapolated) = 0.983 W/kg

SAR(1 g) = 0.673 W/kg; SAR(10 g) = 0.450 W/kg

Smallest distance from peaks to all points 3 dB below = 5.1 mm

Ratio of SAR at M2 to SAR at M1 = 33.2%

Maximum value of SAR (measured) = 0.569 W/kg



0 dB = 0.569 W/kg = -2.45 dBW/kg

Unless otherwise stated the results shown in this test report refer only to the sample(s) tested and such sample(s) are retained for 90 days only.

除非另有說明，此報告結果僅對測試之樣品負責，同時此樣品僅保留90天。本報告未經本公司書面許可，不可部份複製。

This document is issued by the Company subject to its General Conditions of Service printed overleaf, available on request or accessible at <http://www.sgs.com.tw/Terms-and-Conditions> and for electronic format documents, subject to Terms and Conditions for Electronic Documents at <http://www.sgs.com.tw/Terms-and-Conditions>. Attention is drawn to the limitation of liability, indemnification and jurisdiction issues defined therein. Any holder of this document is advised that information contained hereon reflects the Company's findings at the time of its intervention only and within the limits of Client's instructions, if any. The Company's sole responsibility is to its Client and this document does not exonerate parties to a transaction from exercising all their rights and obligations under the transaction documents. This document cannot be reproduced except in full, without prior written approval of the Company. Any unauthorized alteration, forgery or falsification of the content or appearance of this document is unlawful and offenders may be prosecuted to the fullest extent of the law.

Report No. :ES202090007

5G NR n41 (100MHz)_Body_Top side_CH 518598_BPSK_1-1_0mm

Communication System: 5G NR(100MHz,Pi/2 BPSK,30kHz); Frequency: 2592.99 MHz;
Duty cycle= 1:1

Medium parameters used: $f = 2593$ MHz; $\sigma = 1.932$ S/m; $\epsilon_r = 38.241$; $\rho = 1000$ kg/m³

Phantom section: Flat Section

Ambient temperature: 21.6°C; Liquid temperature: 22.1°C

DASY5 Configuration:

- Probe: EX3DV4 – SN7509; ConvF(7.23, 7.23, 7.23) @ 2592.99 MHz; Calibrated: 2020/03/25
- Sensor-Surface: 2mm (Mechanical Surface Detection)
- Electronics: DAE4 Sn877; Calibrated: 2020/03/17
- Phantom: ELI
- DASY52 52.10.4(1527); SEMCAD X 14.6.14(7483)

Area Scan (71x161x1): Interpolated grid: dx=12 mm, dy=12 mm

Maximum value of SAR (interpolated) = 0.289 W/kg

Zoom Scan (7x7x7)/Cube 0: Measurement grid: dx=5mm, dy=5mm, dz=5mm

Reference Value = 6.962 V/m; Power Drift = -0.03 dB

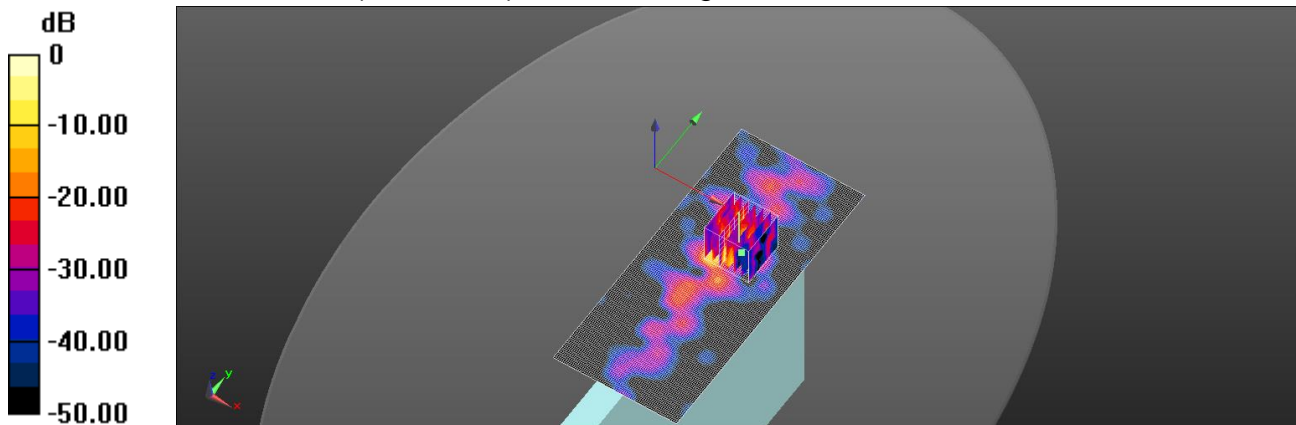
Peak SAR (extrapolated) = 0.795 W/kg

SAR(1 g) = 0.658 W/kg; SAR(10 g) = 0.308 W/kg

Smallest distance from peaks to all points 3 dB below = 6.4 mm

Ratio of SAR at M2 to SAR at M1 = 30.5%

Maximum value of SAR (measured) = 0.748 W/kg



0 dB = 0.748 W/kg = -1.26 dBW/kg

Unless otherwise stated the results shown in this test report refer only to the sample(s) tested and such sample(s) are retained for 90 days only.
除非另有說明，此報告結果僅對測試之樣品負責，同時此樣品僅保留90天。本報告未經本公司書面許可，不可部份複製。

This document is issued by the Company subject to its General Conditions of Service printed overleaf, available on request or accessible at <http://www.sgs.com.tw/Terms-and-Conditions> and for electronic format documents, subject to Terms and Conditions for Electronic Documents at <http://www.sgs.com.tw/Terms-and-Conditions>. Attention is drawn to the limitation of liability, indemnification and jurisdiction issues defined therein. Any holder of this document is advised that information contained hereon reflects the Company's findings at the time of its intervention only and within the limits of Client's instructions, if any. The Company's sole responsibility is to its Client and this document does not exonerate parties to a transaction from exercising all their rights and obligations under the transaction documents. This document cannot be reproduced except in full, without prior written approval of the Company. Any unauthorized alteration, forgery or falsification of the content or appearance of this document is unlawful and offenders may be prosecuted to the fullest extent of the law.

Report No. :ES202090007

5G NR n41 (100MHz)_Body_Top side_CH 509202_BPSK_1-1_0mm_HPUE

Communication System: 5G NR(100MHz,Pi/2 BPSK,30kHz); Frequency: 2546.01 MHz;
Duty cycle= 1:1

Medium parameters used: $f = 2546.01$ MHz; $\sigma = 1.897$ S/m; $\epsilon_r = 38.451$; $\rho = 1000$ kg/m³

Phantom section: Flat Section

Ambient temperature: 21.6°C; Liquid temperature: 22.1°C

DASY5 Configuration:

- Probe: EX3DV4 – SN7509; ConvF(7.23, 7.23, 7.23) @ 2546.01 MHz; Calibrated: 2020/03/25
- Sensor-Surface: 2mm (Mechanical Surface Detection)
- Electronics: DAE4 Sn877; Calibrated: 2020/03/17
- Phantom: ELI
- DASY52 52.10.4(1527); SEMCAD X 14.6.14(7483)

Area Scan (71x161x1): Interpolated grid: dx=12 mm, dy=12 mm

Maximum value of SAR (interpolated) = 0.654 W/kg

Zoom Scan (7x7x7)/Cube 0: Measurement grid: dx=5mm, dy=5mm, dz=5mm

Reference Value = 7.115 V/m; Power Drift = -0.18 dB

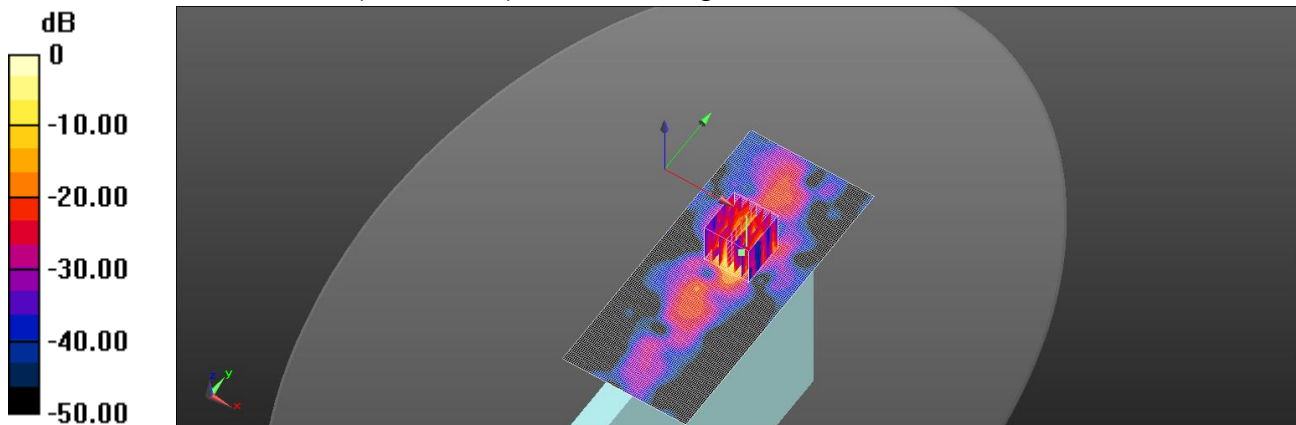
Peak SAR (extrapolated) = 0.893 W/kg

SAR(1 g) = 0.657 W/kg; SAR(10 g) = 0.292 W/kg

Smallest distance from peaks to all points 3 dB below = 8.4 mm

Ratio of SAR at M2 to SAR at M1 = 30.8%

Maximum value of SAR (measured) = 0.793 W/kg



0 dB = 0.793 W/kg = -1.01 dBW/kg

Unless otherwise stated the results shown in this test report refer only to the sample(s) tested and such sample(s) are retained for 90 days only.
除非另有說明，此報告結果僅對測試之樣品負責，同時此樣品僅保留90天。本報告未經本公司書面許可，不可部份複製。

This document is issued by the Company subject to its General Conditions of Service printed overleaf, available on request or accessible at <http://www.sgs.com.tw/Terms-and-Conditions> and for electronic format documents, subject to Terms and Conditions for Electronic Documents at <http://www.sgs.com.tw/Terms-and-Conditions>. Attention is drawn to the limitation of liability, indemnification and jurisdiction issues defined therein. Any holder of this document is advised that information contained hereon reflects the Company's findings at the time of its intervention only and within the limits of Client's instructions, if any. The Company's sole responsibility is to its Client and this document does not exonerate parties to a transaction from exercising all their rights and obligations under the transaction documents. This document cannot be reproduced except in full, without prior written approval of the Company. Any unauthorized alteration, forgery or falsification of the content or appearance of this document is unlawful and offenders may be prosecuted to the fullest extent of the law.

Report No. :ES202090007

5G NR n66 (20MHz)_Body_Top side_CH 349000_BPSK_1-1_0mm

Communication System: 5G NR(20MHz,Pi/2 BPSK,15kHz); Frequency: 1745 MHz; Duty cycle= 1:1

Medium parameters used: $f = 1745 \text{ MHz}$; $\sigma = 1.379 \text{ S/m}$; $\epsilon_r = 40.893$; $\rho = 1000 \text{ kg/m}^3$

Phantom section: Flat Section

Ambient temperature: 21.9°C; Liquid temperature: 21.7°C

DASY5 Configuration:

- Probe: EX3DV4 – SN7509; ConvF(8.34, 8.34, 8.34) @ 1745 MHz; Calibrated: 2020/03/25
- Sensor-Surface: 2mm (Mechanical Surface Detection)
- Electronics: DAE4 Sn877; Calibrated: 2020/03/17
- Phantom: ELI
- DASY52 52.10.4(1527); SEMCAD X 14.6.14(7483)

Area Scan (61x131x1): Interpolated grid: $dx=15 \text{ mm}$, $dy=15 \text{ mm}$

Maximum value of SAR (interpolated) = 0.552 W/kg

Zoom Scan (5x5x7)/Cube 0: Measurement grid: $dx=8\text{mm}$, $dy=8\text{mm}$, $dz=5\text{mm}$

Reference Value = 3.954 V/m; Power Drift = 0.13 dB

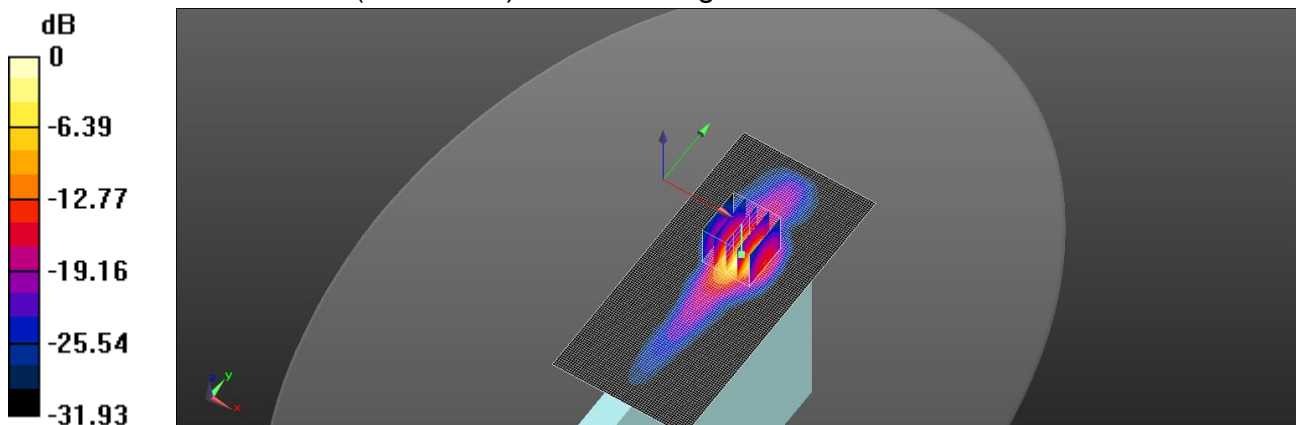
Peak SAR (extrapolated) = 1.04 W/kg

SAR(1 g) = 0.687 W/kg; SAR(10 g) = 0.418 W/kg

Smallest distance from peaks to all points 3 dB below = 9.8 mm

Ratio of SAR at M2 to SAR at M1 = 32.5%

Maximum value of SAR (measured) = 0.625 W/kg



0 dB = 0.625 W/kg = -2.04 dBW/kg

Unless otherwise stated the results shown in this test report refer only to the sample(s) tested and such sample(s) are retained for 90 days only.

除非另有說明，此報告結果僅對測試之樣品負責，同時此樣品僅保留90天。本報告未經本公司書面許可，不可部份複製。
This document is issued by the Company subject to its General Conditions of Service printed overleaf, available on request or accessible at <http://www.sgs.com.tw/Terms-and-Conditions> and for electronic format documents, subject to Terms and Conditions for Electronic Documents at <http://www.sgs.com.tw/Terms-and-Conditions>. Attention is drawn to the limitation of liability, indemnification and jurisdiction issues defined therein. Any holder of this document is advised that information contained hereon reflects the Company's findings at the time of its intervention only and within the limits of Client's instructions, if any. The Company's sole responsibility is to its Client and this document does not exonerate parties to a transaction from exercising all their rights and obligations under the transaction documents. This document cannot be reproduced except in full, without prior written approval of the Company. Any unauthorized alteration, forgery or falsification of the content or appearance of this document is unlawful and offenders may be prosecuted to the fullest extent of the law.

6. SAR System Performance Verification

Date: 2020/10/4

Report No. :ES202090007

Dipole 750 MHz_SN:1015

Communication System: CW; Frequency: 750 MHz; Duty cycle= 1:1

Medium parameters used: $f = 750 \text{ MHz}$; $\sigma = 0.895 \text{ S/m}$; $\epsilon_r = 42.595$; $\rho = 1000 \text{ kg/m}^3$

Phantom section: Flat Section

Ambient temperature: 22.5°C; Liquid temperature: 22.8°C

DASY5 Configuration:

- Probe: EX3DV4 - SN7509; ConvF(9.94, 9.94, 9.94) @ 750 MHz;
Calibrated: 2020/03/25
- Sensor-Surface: 2mm (Mechanical Surface Detection)
- Electronics: DAE4 Sn877; Calibrated: 2020/03/17
- Phantom: ELI
- DASY52 52.10.4(1527); SEMCAD X 14.6.14(7483)

Area Scan (41x141x1): Interpolated grid: $dx=15 \text{ mm}$, $dy=15 \text{ mm}$

Maximum value of SAR (interpolated) = 2.63 W/kg

Zoom Scan (7x7x7)/Cube 0: Measurement grid: $dx=5\text{mm}$, $dy=5\text{mm}$, $dz=5\text{mm}$

Reference Value = 53.78 V/m; Power Drift = 0.02 dB

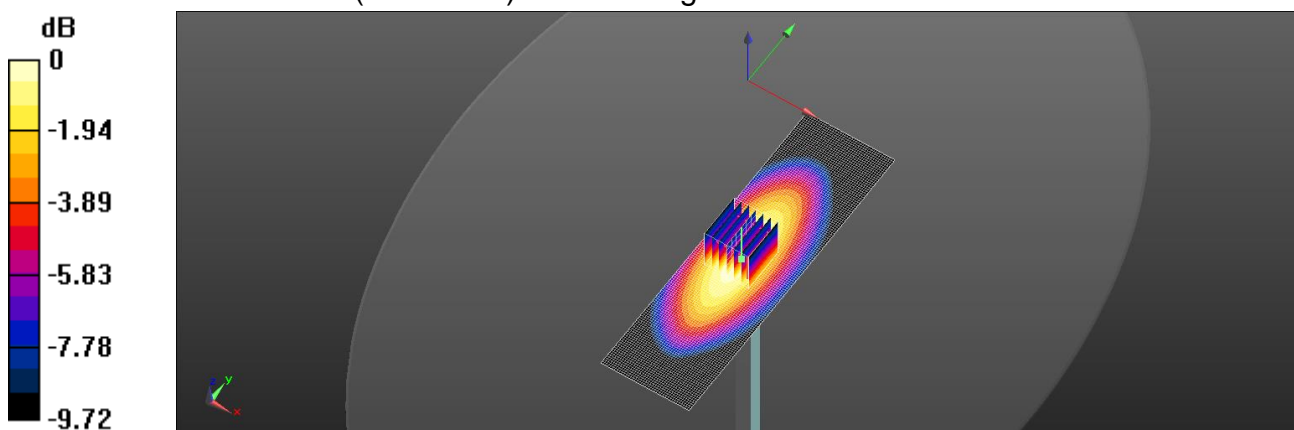
Peak SAR (extrapolated) = 3.13 W/kg

SAR(1 g) = 2.14 W/kg; SAR(10 g) = 1.44 W/kg

Smallest distance from peaks to all points 3 dB below: Larger than measurement grid

Ratio of SAR at M2 to SAR at M1 = 68.4%

Maximum value of SAR (measured) = 2.68 W/kg



0 dB = 2.68 W/kg = 4.28 dBW/kg

Unless otherwise stated the results shown in this test report refer only to the sample(s) tested and such sample(s) are retained for 90 days only.
除非另有說明，此報告結果僅對測試之樣品負責，同時此樣品僅保留90天。本報告未經本公司書面許可，不可部份複製。

This document is issued by the Company subject to its General Conditions of Service printed overleaf, available on request or accessible at <http://www.sgs.com.tw/Terms-and-Conditions> and for electronic format documents, subject to Terms and Conditions for Electronic Documents at <http://www.sgs.com.tw/Terms-and-Conditions>. Attention is drawn to the limitation of liability, indemnification and jurisdiction issues defined therein. Any holder of this document is advised that information contained hereon reflects the Company's findings at the time of its intervention only and within the limits of Client's instructions, if any. The Company's sole responsibility is to its Client and this document does not exonerate parties to a transaction from exercising all their rights and obligations under the transaction documents. This document cannot be reproduced except in full, without prior written approval of the Company. Any unauthorized alteration, forgery or falsification of the content or appearance of this document is unlawful and offenders may be prosecuted to the fullest extent of the law.

Report No. :ES202090007

Dipole 835 MHz_SN:4d063

Communication System: CW; Frequency: 835 MHz; Duty cycle= 1:1

Medium parameters used: $f = 835 \text{ MHz}$; $\sigma = 0.925 \text{ S/m}$; $\epsilon_r = 41.993$; $\rho = 1000 \text{ kg/m}^3$

Phantom section: Flat Section

Ambient temperature: 22.9°C; Liquid temperature: 23.0°C

DASY5 Configuration:

- Probe: EX3DV4 - SN7509; ConvF(9.73, 9.73, 9.73) @ 835 MHz;
Calibrated: 2020/03/25
- Sensor-Surface: 2mm (Mechanical Surface Detection)
- Electronics: DAE4 Sn877; Calibrated: 2020/03/17
- Phantom: ELI
- DASY52 52.10.4(1527); SEMCAD X 14.6.14(7483)

Area Scan (41x121x1): Interpolated grid: $dx=15 \text{ mm}$, $dy=15 \text{ mm}$

Maximum value of SAR (interpolated) = 3.15 W/kg

Zoom Scan (7x7x7)/Cube 0: Measurement grid: $dx=5\text{mm}$, $dy=5\text{mm}$, $dz=5\text{mm}$

Reference Value = 58.13 V/m; Power Drift = 0.01 dB

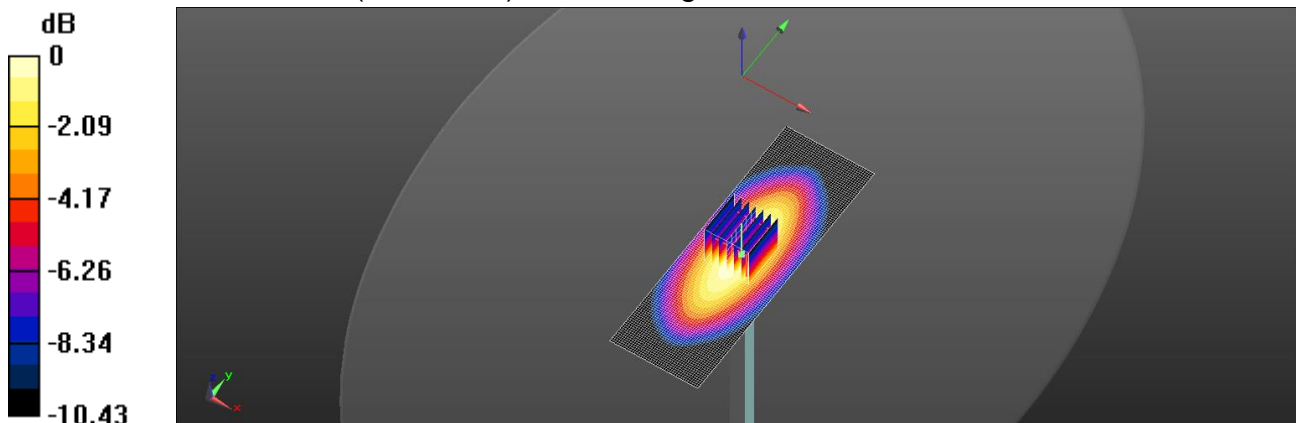
Peak SAR (extrapolated) = 3.67 W/kg

SAR(1 g) = 2.45 W/kg; SAR(10 g) = 1.59 W/kg

Smallest distance from peaks to all points 3 dB below: Larger than measurement grid

Ratio of SAR at M2 to SAR at M1 = 67.4%

Maximum value of SAR (measured) = 3.14 W/kg



0 dB = 3.14 W/kg = 4.97 dBW/kg

Unless otherwise stated the results shown in this test report refer only to the sample(s) tested and such sample(s) are retained for 90 days only.

除非另有說明，此報告結果僅對測試之樣品負責，同時此樣品僅保留90天。本報告未經本公司書面許可，不可部份複製。

This document is issued by the Company subject to its General Conditions of Service printed overleaf, available on request or accessible at <http://www.sgs.com.tw/Terms-and-Conditions> and for electronic format documents, subject to Terms and Conditions for Electronic Documents at <http://www.sgs.com.tw/Terms-and-Conditions>. Attention is drawn to the limitation of liability, indemnification and jurisdiction issues defined therein. Any holder of this document is advised that information contained hereon reflects the Company's findings at the time of its intervention only and within the limits of Client's instructions, if any. The Company's sole responsibility is to its Client and this document does not exonerate parties to a transaction from exercising all their rights and obligations under the transaction documents. This document cannot be reproduced except in full, without prior written approval of the Company. Any unauthorized alteration, forgery or falsification of the content or appearance of this document is unlawful and offenders may be prosecuted to the fullest extent of the law.

Report No. :ES202090007

Dipole 1750 MHz_SN:1008

Communication System: CW; Frequency: 1750 MHz; Duty cycle= 1:1

Medium parameters used: $f = 1750$ MHz; $\sigma = 1.378$ S/m; $\epsilon_r = 40.100$; $\rho = 1000$ kg/m³

Phantom section: Flat Section

Ambient temperature: 23.1°C; Liquid temperature: 22.0°C

DASY5 Configuration:

- Probe: EX3DV4 - SN7509; ConvF(8.34, 8.34, 8.34) @ 1750 MHz; Calibrated: 2020/03/25
- Sensor-Surface: 2mm (Mechanical Surface Detection)
- Electronics: DAE4 Sn877; Calibrated: 2020/03/17
- Phantom: ELI
- DASY52 52.10.4(1527); SEMCAD X 14.6.14(7483)

Area Scan (61x61x1): Interpolated grid: dx=15 mm, dy=15 mm

Maximum value of SAR (interpolated) = 11.2 W/kg

Zoom Scan (7x7x7)/Cube 0: Measurement grid: dx=5mm, dy=5mm, dz=5mm

Reference Value = 98.01 V/m; Power Drift = 0.07 dB

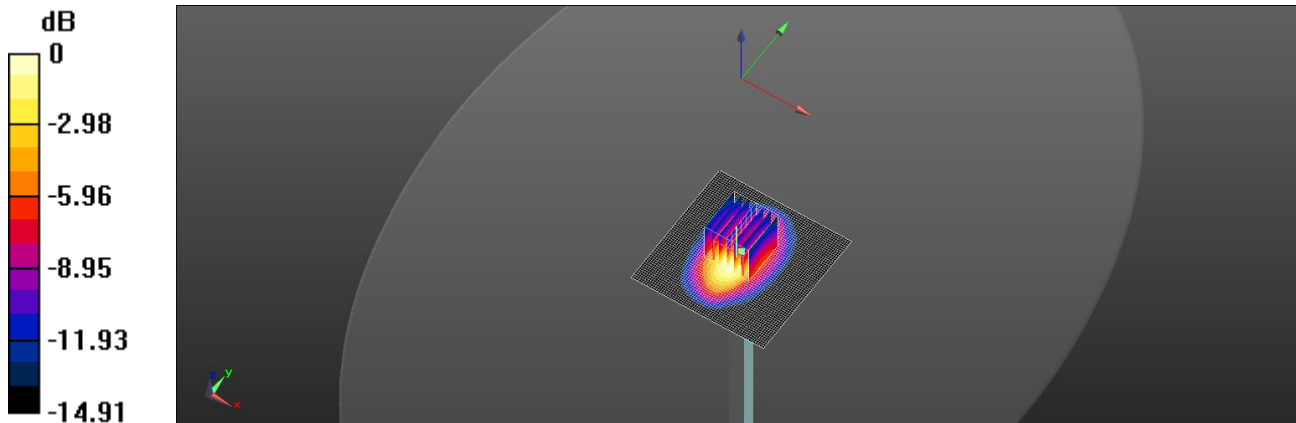
Peak SAR (extrapolated) = 13.7 W/kg

SAR(1 g) = 8.36 W/kg; SAR(10 g) = 4.83 W/kg

Smallest distance from peaks to all points 3 dB below = 6.2 mm

Ratio of SAR at M2 to SAR at M1 = 60.3%

Maximum value of SAR (measured) = 11.1 W/kg



0 dB = 11.1 W/kg = 10.46 dBW/kg

Unless otherwise stated the results shown in this test report refer only to the sample(s) tested and such sample(s) are retained for 90 days only.

除非另有說明，此報告結果僅對測試之樣品負責，同時此樣品僅保留90天。本報告未經本公司書面許可，不可部份複製。

This document is issued by the Company subject to its General Conditions of Service printed overleaf, available on request or accessible at <http://www.sgs.com.tw/Terms-and-Conditions> and for electronic format documents, subject to Terms and Conditions for Electronic Documents at <http://www.sgs.com.tw/Terms-and-Conditions>. Attention is drawn to the limitation of liability, indemnification and jurisdiction issues defined therein. Any holder of this document is advised that information contained hereon reflects the Company's findings at the time of its intervention only and within the limits of Client's instructions, if any. The Company's sole responsibility is to its Client and this document does not exonerate parties to a transaction from exercising all their rights and obligations under the transaction documents. This document cannot be reproduced except in full, without prior written approval of the Company. Any unauthorized alteration, forgery or falsification of the content or appearance of this document is unlawful and offenders may be prosecuted to the fullest extent of the law.

Report No. :ES202090007

Dipole 1750 MHz_SN:1008

Communication System: CW; Frequency: 1750 MHz; Duty cycle= 1:1

Medium parameters used: $f = 1750 \text{ MHz}$; $\sigma = 1.402 \text{ S/m}$; $\epsilon_r = 40.22$; $\rho = 1000 \text{ kg/m}^3$

Phantom section: Flat Section

Ambient temperature: 21.9°C; Liquid temperature: 21.7°C

DASY5 Configuration:

- Probe: EX3DV4 – SN7509; ConvF(8.34, 8.34, 8.34) @ 1750 MHz; Calibrated: 2020/03/25
- Sensor-Surface: 2mm (Mechanical Surface Detection)
- Electronics: DAE4 Sn877; Calibrated: 2020/03/17
- Phantom: ELI
- DASY52 52.10.4(1527); SEMCAD X 14.6.14(7483)

Area Scan (61x61x1): Interpolated grid: $dx=15 \text{ mm}$, $dy=15 \text{ mm}$

Maximum value of SAR (interpolated) = 11.3 W/kg

Zoom Scan (7x7x7)/Cube 0: Measurement grid: $dx=5\text{mm}$, $dy=5\text{mm}$, $dz=5\text{mm}$

Reference Value = 98.01 V/m; Power Drift = 0.07 dB

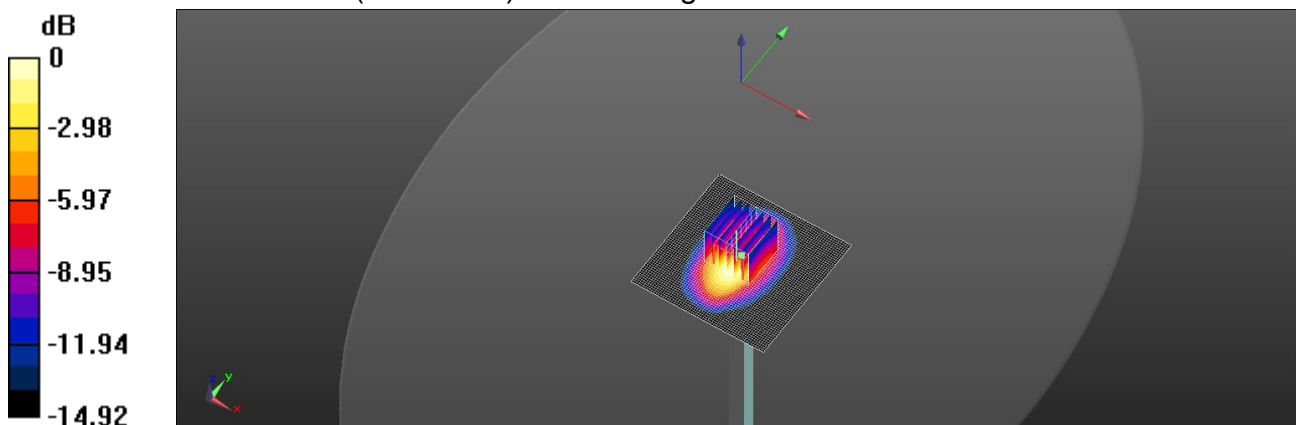
Peak SAR (extrapolated) = 13.8 W/kg

SAR(1 g) = 8.41 W/kg; SAR(10 g) = 4.86 W/kg

Smallest distance from peaks to all points 3 dB below = 10.8 mm

Ratio of SAR at M2 to SAR at M1 = 60.3%

Maximum value of SAR (measured) = 11.2 W/kg



0 dB = 11.2 W/kg = 10.49 dBW/kg

Unless otherwise stated the results shown in this test report refer only to the sample(s) tested and such sample(s) are retained for 90 days only.

除非另有說明，此報告結果僅對測試之樣品負責，同時此樣品僅保留90天。本報告未經本公司書面許可，不可部份複製。

This document is issued by the Company subject to its General Conditions of Service printed overleaf, available on request or accessible at <http://www.sgs.com.tw/Terms-and-Conditions> and for electronic format documents, subject to Terms and Conditions for Electronic Documents at <http://www.sgs.com.tw/Terms-and-Conditions>. Attention is drawn to the limitation of liability, indemnification and jurisdiction issues defined therein. Any holder of this document is advised that information contained hereon reflects the Company's findings at the time of its intervention only and within the limits of Client's instructions, if any. The Company's sole responsibility is to its Client and this document does not exonerate parties to a transaction from exercising all their rights and obligations under the transaction documents. This document cannot be reproduced except in full, without prior written approval of the Company. Any unauthorized alteration, forgery or falsification of the content or appearance of this document is unlawful and offenders may be prosecuted to the fullest extent of the law.

Report No. :ES202090007

Dipole 1900 MHz_SN:5d173

Communication System: CW; Frequency: 1900 MHz; Duty cycle= 1:1

Medium parameters used: $f = 1900 \text{ MHz}$; $\sigma = 1.409 \text{ S/m}$; $\epsilon_r = 39.433$; $\rho = 1000 \text{ kg/m}^3$

Phantom section: Flat Section

Ambient temperature: 23.4°C; Liquid temperature: 22.3°C

DASY5 Configuration:

- Probe: EX3DV4 - SN7509; ConvF(8.07, 8.07, 8.07) @ 1900 MHz; Calibrated: 2020/03/25
- Sensor-Surface: 2mm (Mechanical Surface Detection)
- Electronics: DAE4 Sn877; Calibrated: 2020/03/17
- Phantom: ELI
- DASY52 52.10.4(1527); SEMCAD X 14.6.14(7483)

Area Scan (61x61x1): Interpolated grid: $dx=15 \text{ mm}$, $dy=15 \text{ mm}$

Maximum value of SAR (interpolated) = 13.3 W/kg

Zoom Scan (5x5x7)/Cube 0: Measurement grid: $dx=8\text{mm}$, $dy=8\text{mm}$, $dz=5\text{mm}$

Reference Value = 94.77 V/m; Power Drift = 0.05 dB

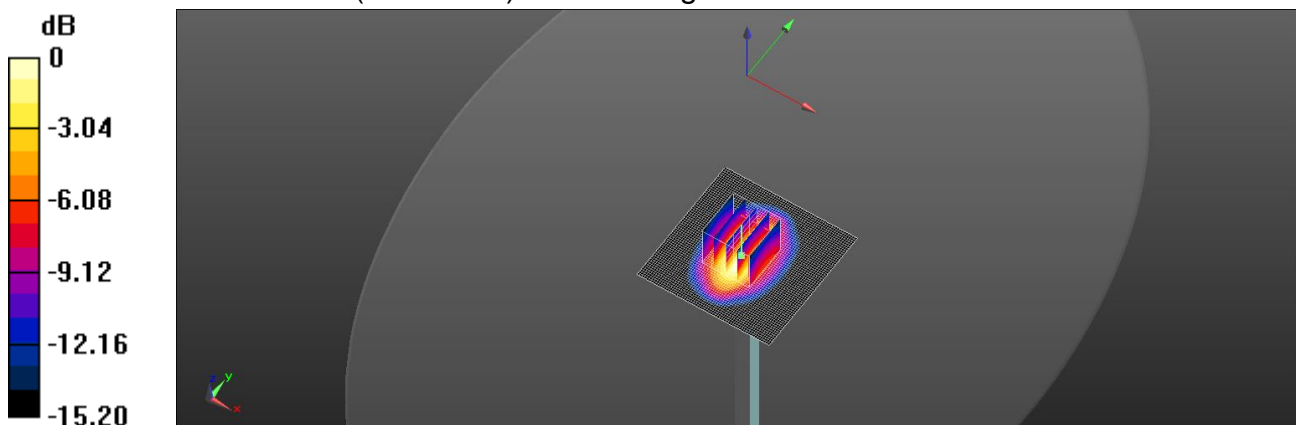
Peak SAR (extrapolated) = 16.3 W/kg

SAR(1 g) = 9.66 W/kg; SAR(10 g) = 5.36 W/kg

Smallest distance from peaks to all points 3 dB below = 9.6 mm

Ratio of SAR at M2 to SAR at M1 = 59.9%

Maximum value of SAR (measured) = 13.3 W/kg



0 dB = 13.3 W/kg = 11.24 dBW/kg

Unless otherwise stated the results shown in this test report refer only to the sample(s) tested and such sample(s) are retained for 90 days only.

除非另有說明，此報告結果僅對測試之樣品負責，同時此樣品僅保留90天。本報告未經本公司書面許可，不可部份複製。

This document is issued by the Company subject to its General Conditions of Service printed overleaf, available on request or accessible at <http://www.sgs.com.tw/Terms-and-Conditions> and for electronic format documents, subject to Terms and Conditions for Electronic Documents at <http://www.sgs.com.tw/Terms-and-Conditions>. Attention is drawn to the limitation of liability, indemnification and jurisdiction issues defined therein. Any holder of this document is advised that information contained hereon reflects the Company's findings at the time of its intervention only and within the limits of Client's instructions, if any. The Company's sole responsibility is to its Client and this document does not exonerate parties to a transaction from exercising all their rights and obligations under the transaction documents. This document cannot be reproduced except in full, without prior written approval of the Company. Any unauthorized alteration, forgery or falsification of the content or appearance of this document is unlawful and offenders may be prosecuted to the fullest extent of the law.

Report No. :ES202090007

Dipole 1900 MHz_SN:5d173

Communication System: CW; Frequency: 1900 MHz; Duty cycle= 1:1

Medium parameters used: $f = 1900 \text{ MHz}$; $\sigma = 1.437 \text{ S/m}$; $\epsilon_r = 39.523$; $\rho = 1000 \text{ kg/m}^3$

Phantom section: Flat Section

Ambient temperature: 21.8°C; Liquid temperature: 22.4°C

DASY5 Configuration:

- Probe: EX3DV4 – SN7509; ConvF(8.07, 8.07, 8.07) @ 1900 MHz; Calibrated: 2020/03/25
- Sensor-Surface: 2mm (Mechanical Surface Detection)
- Electronics: DAE4 Sn877; Calibrated: 2020/03/17
- Phantom: ELI V5.0 (20deg probe tilt)
- DASY52 52.10.4(1527); SEMCAD X 14.6.14(7483)

Area Scan (61x61x1): Interpolated grid: $dx=15 \text{ mm}$, $dy=15 \text{ mm}$

Maximum value of SAR (interpolated) = 12.9 W/kg

Zoom Scan (5x5x7)/Cube 0: Measurement grid: $dx=8\text{mm}$, $dy=8\text{mm}$, $dz=5\text{mm}$

Reference Value = 94.77 V/m; Power Drift = 0.05 dB

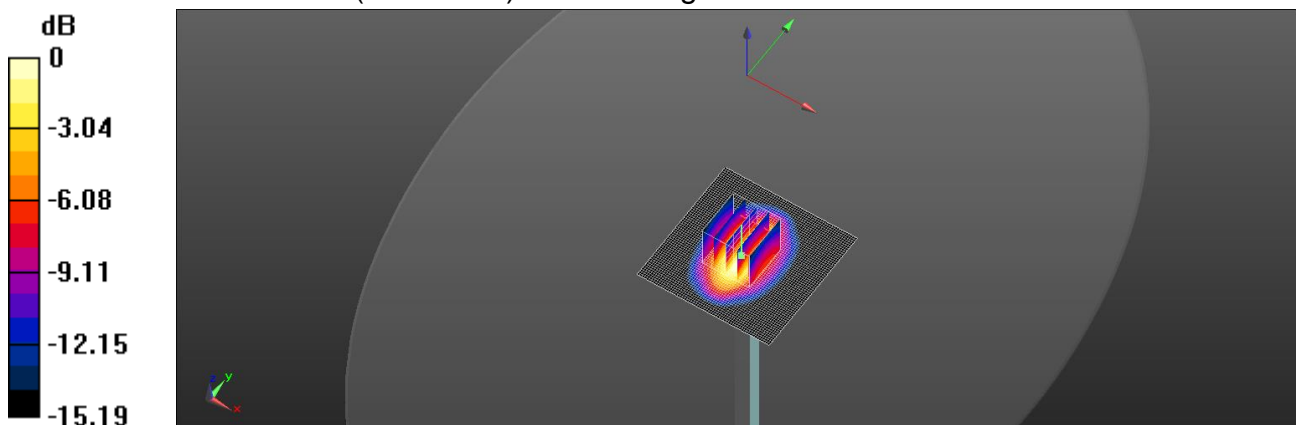
Peak SAR (extrapolated) = 15.9 W/kg

SAR(1 g) = 9.43 W/kg; SAR(10 g) = 5.26 W/kg

Smallest distance from peaks to all points 3 dB below = 9.6 mm

Ratio of SAR at M2 to SAR at M1 = 59.9%

Maximum value of SAR (measured) = 12.9 W/kg



0 dB = 12.9 W/kg = 11.11 dBW/kg

Unless otherwise stated the results shown in this test report refer only to the sample(s) tested and such sample(s) are retained for 90 days only.

除非另有說明，此報告結果僅對測試之樣品負責，同時此樣品僅保留90天。本報告未經本公司書面許可，不可部份複製。

This document is issued by the Company subject to its General Conditions of Service printed overleaf, available on request or accessible at <http://www.sgs.com.tw/Terms-and-Conditions> and for electronic format documents, subject to Terms and Conditions for Electronic Documents at <http://www.sgs.com.tw/Terms-and-Conditions>. Attention is drawn to the limitation of liability, indemnification and jurisdiction issues defined therein. Any holder of this document is advised that information contained hereon reflects the Company's findings at the time of its intervention only and within the limits of Client's instructions, if any. The Company's sole responsibility is to its Client and this document does not exonerate parties to a transaction from exercising all their rights and obligations under the transaction documents. This document cannot be reproduced except in full, without prior written approval of the Company. Any unauthorized alteration, forgery or falsification of the content or appearance of this document is unlawful and offenders may be prosecuted to the fullest extent of the law.

Date: 2020/10/8

Report No. :ES202090007

Dipole 2300 MHz_SN:1023

Communication System: CW; Frequency: 2300 MHz; Duty cycle= 1:1

Medium parameters used: $f = 2300 \text{ MHz}$; $\sigma = 1.667 \text{ S/m}$; $\epsilon_r = 38.955$; $\rho = 1000 \text{ kg/m}^3$

Phantom section: Flat Section

Ambient temperature: 23.0°C; Liquid temperature: 23.1°C

DASY5 Configuration:

- Probe: EX3DV4 - SN7509; ConvF(7.76, 7.76, 7.76) @ 2300 MHz; Calibrated: 2020/03/25
- Sensor-Surface: 2mm (Mechanical Surface Detection)
- Electronics: DAE4 Sn877; Calibrated: 2020/03/17
- Phantom: ELI
- DASY52 52.10.4(1527); SEMCAD X 14.6.14(7483)

Area Scan (51x51x1): Interpolated grid: $dx=12 \text{ mm}$, $dy=12 \text{ mm}$

Maximum value of SAR (interpolated) = 19.4 W/kg

Zoom Scan (7x7x7)/Cube 0: Measurement grid: $dx=5\text{mm}$, $dy=5\text{mm}$, $dz=5\text{mm}$

Reference Value = 94.36 V/m; Power Drift = 0.10 dB

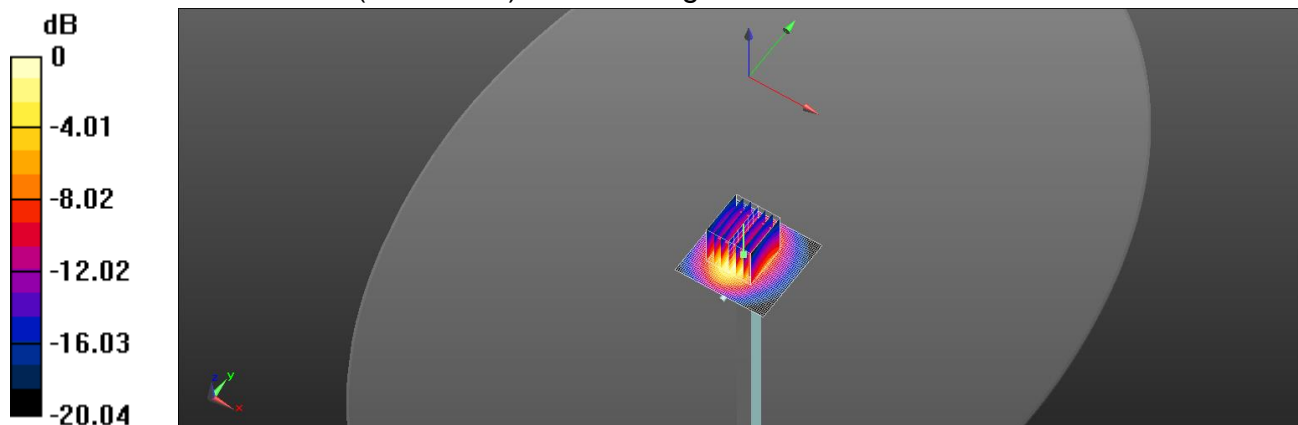
Peak SAR (extrapolated) = 24.0 W/kg

SAR(1 g) = 12.1 W/kg; SAR(10 g) = 5.76 W/kg

Smallest distance from peaks to all points 3 dB below = 9 mm

Ratio of SAR at M2 to SAR at M1 = 52.4%

Maximum value of SAR (measured) = 18.4 W/kg



0 dB = 18.4 W/kg = 12.65 dBW/kg

Unless otherwise stated the results shown in this test report refer only to the sample(s) tested and such sample(s) are retained for 90 days only.
 除非另有說明，此報告結果僅對測試之樣品負責，同時此樣品僅保留90天。本報告未經本公司書面許可，不可部份複製。

This document is issued by the Company subject to its General Conditions of Service printed overleaf, available on request or accessible at <http://www.sgs.com.tw/Terms-and-Conditions> and for electronic format documents, subject to Terms and Conditions for Electronic Documents at <http://www.sgs.com.tw/Terms-and-Conditions>. Attention is drawn to the limitation of liability, indemnification and jurisdiction issues defined therein. Any holder of this document is advised that information contained hereon reflects the Company's findings at the time of its intervention only and within the limits of Client's instructions, if any. The Company's sole responsibility is to its Client and this document does not exonerate parties to a transaction from exercising all their rights and obligations under the transaction documents. This document cannot be reproduced except in full, without prior written approval of the Company. Any unauthorized alteration, forgery or falsification of the content or appearance of this document is unlawful and offenders may be prosecuted to the fullest extent of the law.

Report No. :ES202090007

Dipole 2600 MHz_SN:1005

Communication System: CW; Frequency: 2600 MHz; Duty cycle= 1:1

Medium parameters used: $f = 2600$ MHz; $\sigma = 1.918$ S/m; $\epsilon_r = 38.110$; $\rho = 1000$ kg/m³

Phantom section: Flat Section

Ambient temperature: 22.3°C; Liquid temperature: 22.7°C

DASY5 Configuration:

- Probe: EX3DV4 - SN7509; ConvF(7.23, 7.23, 7.23) @ 2600 MHz; Calibrated: 2020/03/25
- Sensor-Surface: 2mm (Mechanical Surface Detection)
- Electronics: DAE4 Sn877; Calibrated: 2020/03/17
- Phantom: ELI
- DASY52 52.10.4(1527); SEMCAD X 14.6.14(7483)

Area Scan (61x61x1): Interpolated grid: dx=12 mm, dy=12 mm

Maximum value of SAR (interpolated) = 23.7 W/kg

Zoom Scan (7x7x7)/Cube 0: Measurement grid: dx=5mm, dy=5mm, dz=5mm

Reference Value = 99.00 V/m; Power Drift = 0.11 dB

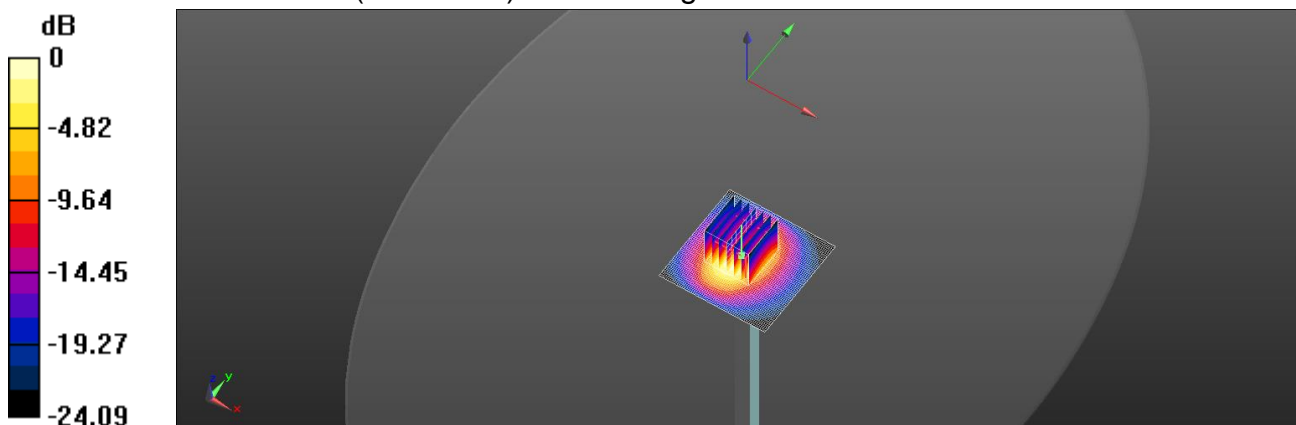
Peak SAR (extrapolated) = 32.7 W/kg

SAR(1 g) = 14.9 W/kg; SAR(10 g) = 6.66 W/kg

Smallest distance from peaks to all points 3 dB below = 6 mm

Ratio of SAR at M2 to SAR at M1 = 45.3%

Maximum value of SAR (measured) = 23.5 W/kg



0 dB = 23.5 W/kg = 13.72 dBW/kg

Unless otherwise stated the results shown in this test report refer only to the sample(s) tested and such sample(s) are retained for 90 days only.
 除非另有說明，此報告結果僅對測試之樣品負責，同時此樣品僅保留90天。本報告未經本公司書面許可，不可部份複製。

This document is issued by the Company subject to its General Conditions of Service printed overleaf, available on request or accessible at <http://www.sgs.com.tw/Terms-and-Conditions> and for electronic format documents, subject to Terms and Conditions for Electronic Documents at <http://www.sgs.com.tw/Terms-and-Conditions>. Attention is drawn to the limitation of liability, indemnification and jurisdiction issues defined therein. Any holder of this document is advised that information contained hereon reflects the Company's findings at the time of its intervention only and within the limits of Client's instructions, if any. The Company's sole responsibility is to its Client and this document does not exonerate parties to a transaction from exercising all their rights and obligations under the transaction documents. This document cannot be reproduced except in full, without prior written approval of the Company. Any unauthorized alteration, forgery or falsification of the content or appearance of this document is unlawful and offenders may be prosecuted to the fullest extent of the law.

Report No. :ES202090007

Dipole 2600 MHz_SN:1005

Communication System: CW; Frequency: 2600 MHz; Duty cycle= 1:1

Medium parameters used: $f = 2600 \text{ MHz}$; $\sigma = 1.945 \text{ S/m}$; $\epsilon_r = 38.21$; $\rho = 1000 \text{ kg/m}^3$

Phantom section: Flat Section

Ambient temperature: 21.6°C; Liquid temperature: 22.1°C

DASY5 Configuration:

- Probe: EX3DV4 – SN7509; ConvF(7.23, 7.23, 7.23) @ 2600 MHz; Calibrated: 2020/03/25
- Sensor-Surface: 2mm (Mechanical Surface Detection)
- Electronics: DAE4 Sn877; Calibrated: 2020/03/17
- Phantom: ELI
- DASY52 52.10.4(1527); SEMCAD X 14.6.14(7483)

Area Scan (61x61x1): Interpolated grid: $dx=12 \text{ mm}$, $dy=12 \text{ mm}$

Maximum value of SAR (interpolated) = 23.2 W/kg

Zoom Scan (7x7x7)/Cube 0: Measurement grid: $dx=5\text{mm}$, $dy=5\text{mm}$, $dz=5\text{mm}$

Reference Value = 99.00 V/m; Power Drift = 0.11 dB

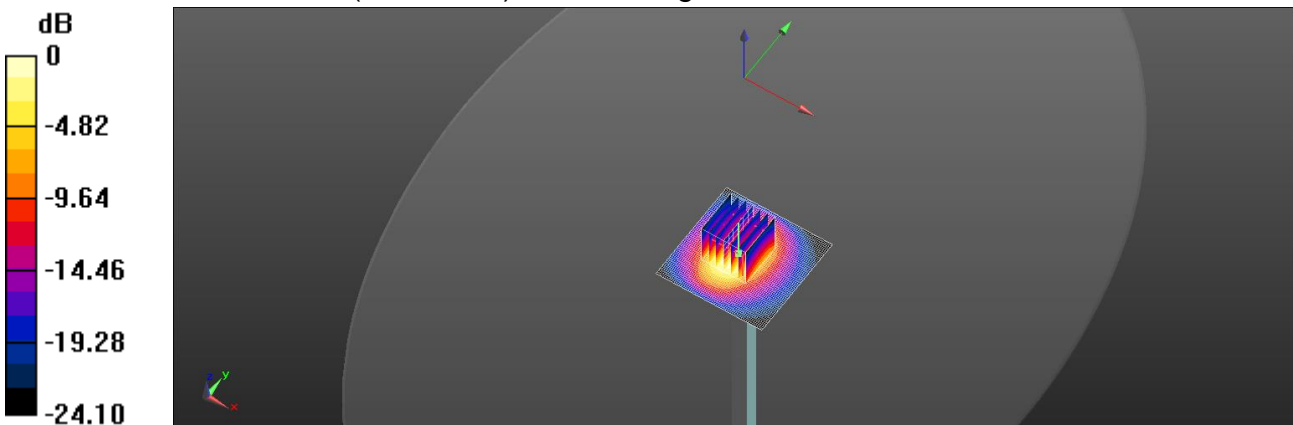
Peak SAR (extrapolated) = 32.0 W/kg

SAR(1 g) = 14.7 W/kg; SAR(10 g) = 6.59 W/kg

Smallest distance from peaks to all points 3 dB below = 9 mm

Ratio of SAR at M2 to SAR at M1 = 45.3%

Maximum value of SAR (measured) = 23.1 W/kg



0 dB = 23.1 W/kg = 13.63 dBW/kg

Unless otherwise stated the results shown in this test report refer only to the sample(s) tested and such sample(s) are retained for 90 days only.

除非另有說明，此報告結果僅對測試之樣品負責，同時此樣品僅保留90天。本報告未經本公司書面許可，不可部份複製。

This document is issued by the Company subject to its General Conditions of Service printed overleaf, available on request or accessible at <http://www.sgs.com.tw/Terms-and-Conditions> and for electronic format documents, subject to Terms and Conditions for Electronic Documents at <http://www.sgs.com.tw/Terms-and-Conditions>. Attention is drawn to the limitation of liability, indemnification and jurisdiction issues defined therein. Any holder of this document is advised that information contained hereon reflects the Company's findings at the time of its intervention only and within the limits of Client's instructions, if any. The Company's sole responsibility is to its Client and this document does not exonerate parties to a transaction from exercising all their rights and obligations under the transaction documents. This document cannot be reproduced except in full, without prior written approval of the Company. Any unauthorized alteration, forgery or falsification of the content or appearance of this document is unlawful and offenders may be prosecuted to the fullest extent of the law.

Report No. :ES202090007

Dipole 3500 MHz_SN:1009

Communication System: CW; Frequency: 3500 MHz; Duty cycle= 1:1

Medium parameters used: $f = 3500 \text{ MHz}$; $\sigma = 2.896 \text{ S/m}$; $\epsilon_r = 37.766$; $\rho = 1000 \text{ kg/m}^3$

Phantom section: Flat Section

Ambient temperature: 22.4°C; Liquid temperature: 22.3°C

DASY5 Configuration:

- Probe: EX3DV4 – SN7509; ConvF(6.73, 6.73, 6.73) @ 3500 MHz; Calibrated: 2020/03/25
- Sensor-Surface: 2mm (Mechanical Surface Detection)
- Electronics: DAE4 Sn877; Calibrated: 2020/03/17
- Phantom: ELI
- DASY52 52.10.4(1527); SEMCAD X 14.6.14(7483)

Area Scan (61x81x1): Interpolated grid: $dx=12 \text{ mm}$, $dy=12 \text{ mm}$

Maximum value of SAR (interpolated) = 11.7 W/kg

Zoom Scan (7x7x10)/Cube 0: Measurement grid: $dx=5\text{mm}$, $dy=5\text{mm}$, $dz=3\text{mm}$

Reference Value = 63.66 V/m; Power Drift = -0.01 dB

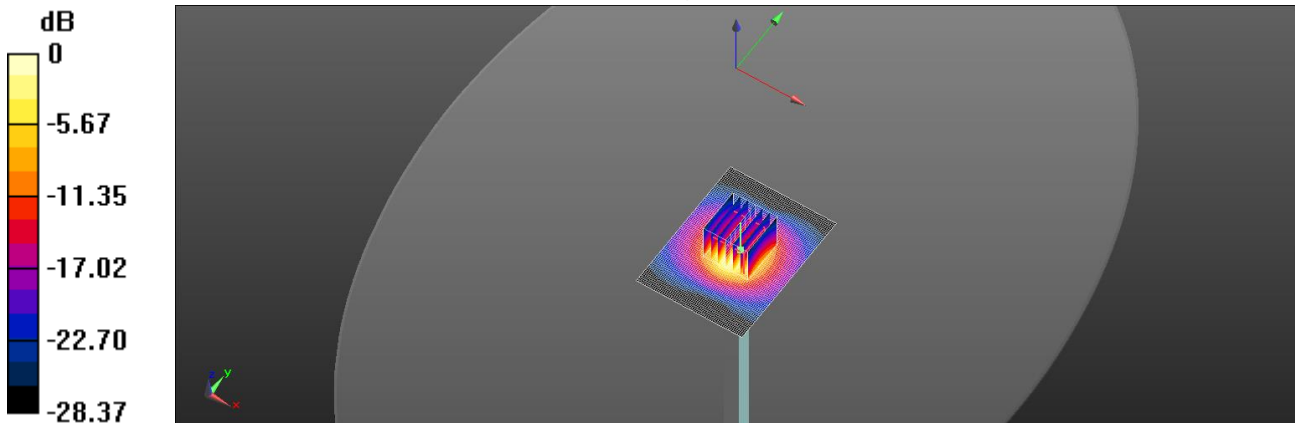
Peak SAR (extrapolated) = 17.3 W/kg

SAR(1 g) = 6.66 W/kg; SAR(10 g) = 2.54 W/kg

Smallest distance from peaks to all points 3 dB below = 8.2 mm

Ratio of SAR at M2 to SAR at M1 = 55.6%

Maximum value of SAR (measured) = 11.4 W/kg



0 dB = 11.4 W/kg = 10.58 dBW/kg

Unless otherwise stated the results shown in this test report refer only to the sample(s) tested and such sample(s) are retained for 90 days only.

除非另有說明，此報告結果僅對測試之樣品負責，同時此樣品僅保留90天。本報告未經本公司書面許可，不可部份複製。

This document is issued by the Company subject to its General Conditions of Service printed overleaf, available on request or accessible at <http://www.sgs.com.tw/Terms-and-Conditions> and for electronic format documents, subject to Terms and Conditions for Electronic Documents at <http://www.sgs.com.tw/Terms-and-Conditions>. Attention is drawn to the limitation of liability, indemnification and jurisdiction issues defined therein. Any holder of this document is advised that information contained hereon reflects the Company's findings at the time of its intervention only and within the limits of Client's instructions, if any. The Company's sole responsibility is to its Client and this document does not exonerate parties to a transaction from exercising all their rights and obligations under the transaction documents. This document cannot be reproduced except in full, without prior written approval of the Company. Any unauthorized alteration, forgery or falsification of the content or appearance of this document is unlawful and offenders may be prosecuted to the fullest extent of the law.

Date: 2020/10/16

Report No. :ES202090007

Dipole 3700 MHz_SN:1057

Communication System: CW; Frequency: 3700 MHz; Duty cycle= 1:1

Medium parameters used: $f = 3700 \text{ MHz}$; $\sigma = 3.111 \text{ S/m}$; $\epsilon_r = 37.43$; $\rho = 1000 \text{ kg/m}^3$

Phantom section: Flat Section

Ambient temperature: 22.1°C; Liquid temperature: 21.8°C

DASY5 Configuration:

- Probe: EX3DV4 – SN7509; ConvF(6.67, 6.67, 6.67) @ 3700 MHz; Calibrated: 2020/03/25
- Sensor-Surface: 2mm (Mechanical Surface Detection)
- Electronics: DAE4 Sn877; Calibrated: 2020/03/17
- Phantom: ELI
- DASY52 52.10.4(1527); SEMCAD X 14.6.14(7483)

Area Scan (51x71x1): Interpolated grid: $dx=12 \text{ mm}$, $dy=12 \text{ mm}$

Maximum value of SAR (interpolated) = 13.4 W/kg

Zoom Scan (7x7x10)/Cube 0: Measurement grid: $dx=5\text{mm}$, $dy=5\text{mm}$, $dz=3\text{mm}$

Reference Value = 63.31 V/m; Power Drift = 0.02 dB

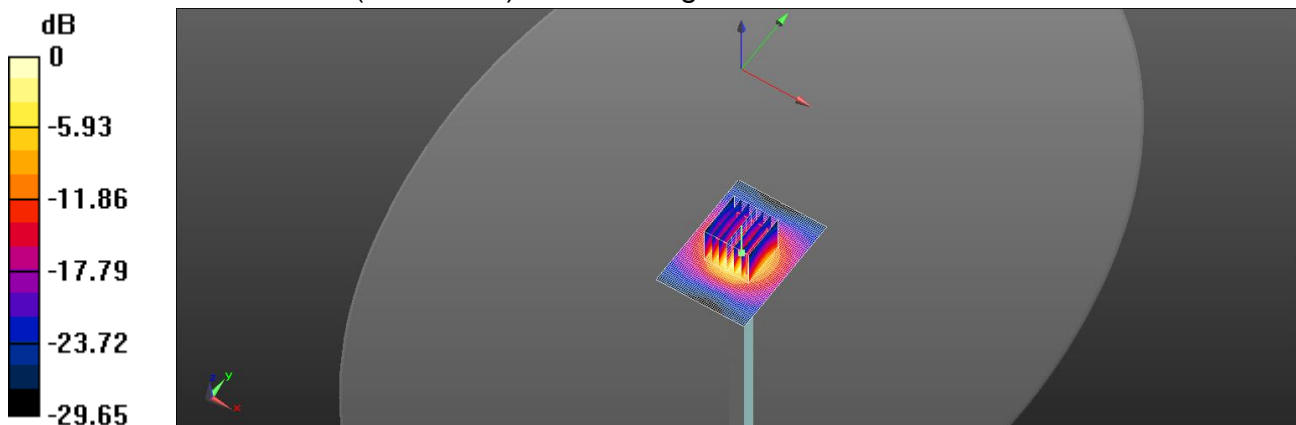
Peak SAR (extrapolated) = 17.8 W/kg

SAR(1 g) = 6.65 W/kg; SAR(10 g) = 2.48 W/kg

Smallest distance from peaks to all points 3 dB below = 8.5 mm

Ratio of SAR at M2 to SAR at M1 = 53.9%

Maximum value of SAR (measured) = 11.6 W/kg



0 dB = 11.6 W/kg = 10.65 dBW/kg

Unless otherwise stated the results shown in this test report refer only to the sample(s) tested and such sample(s) are retained for 90 days only.
 除非另有說明，此報告結果僅對測試之樣品負責，同時此樣品僅保留90天。本報告未經本公司書面許可，不可部份複製。

This document is issued by the Company subject to its General Conditions of Service printed overleaf, available on request or accessible at <http://www.sgs.com.tw/Terms-and-Conditions> and for electronic format documents, subject to Terms and Conditions for Electronic Documents at <http://www.sgs.com.tw/Terms-and-Conditions>. Attention is drawn to the limitation of liability, indemnification and jurisdiction issues defined therein. Any holder of this document is advised that information contained hereon reflects the Company's findings at the time of its intervention only and within the limits of Client's instructions, if any. The Company's sole responsibility is to its Client and this document does not exonerate parties to a transaction from exercising all their rights and obligations under the transaction documents. This document cannot be reproduced except in full, without prior written approval of the Company. Any unauthorized alteration, forgery or falsification of the content or appearance of this document is unlawful and offenders may be prosecuted to the fullest extent of the law.

7. Uncertainty Budget

Measurement Uncertainty evaluation template for DUT SAR test (3-6G)

A	c	D	e		f	g	h=c * f / e	i=c * g / e	k
Source of Uncertainty	Tolerance/ Uncertainty	Probabilit y	Div	Div Value	ci (1g)	ci (10g)	Standard uncertainty	Standard uncertainty	vi, or Veff
Measurement system									
Probe calibration	6.55%	N	1	1	1	1	6.55%	6.55%	∞
<i>Isotropy , Axial</i>	3.50%	R	$\sqrt{3}$	1.732	1	1	2.02%	2.02%	∞
<i>Isotropy, Hemispherical</i>	9.60%	R	$\sqrt{3}$	1.732	1	1	5.54%	5.54%	∞
Modulation Response	2.40%	R	$\sqrt{3}$	1.732	1	1	1.40%	1.40%	∞
Boundary Effect	1.00%	R	$\sqrt{3}$	1.732	1	1	0.58%	0.58%	∞
Linearity	4.70%	R	$\sqrt{3}$	1.732	1	1	2.71%	2.71%	∞
Detection Limits	1.00%	R	$\sqrt{3}$	1.732	1	1	0.58%	0.58%	∞
Readout Electronics	0.30%	N	1	1	1	1	0.30%	0.30%	∞
Response time	0.80%	R	$\sqrt{3}$	1.732	1	1	0.46%	0.46%	∞
Integration Time	2.60%	R	$\sqrt{3}$	1.732	1	1	1.50%	1.50%	∞
Measurement drift (class A evaluation)	1.75%	R	$\sqrt{3}$	1.732	1	1	1.01%	1.01%	∞
RF ambient condition - noise	3.00%	R	$\sqrt{3}$	1.732	1	1	1.73%	1.73%	∞
RF ambient conditions - reflections	3.00%	R	$\sqrt{3}$	1.732	1	1	1.73%	1.73%	∞
Probe positioner Mechanical restrictions	0.40%	R	$\sqrt{3}$	1.732	1	1	0.23%	0.23%	∞
Probe Positioning with respect to phantom	2.90%	R	$\sqrt{3}$	1.732	1	1	1.67%	1.67%	∞
Post-processing	1.00%	R	$\sqrt{3}$	1.732	1	1	0.58%	0.58%	∞
Max SAR Eval	1.00%	R	$\sqrt{3}$	1.732	1	1	0.58%	0.58%	∞
Test Sample related									
Test sample positioning	2.90%	N	1	1	1	1	2.90%	2.90%	M-1
Device Holder Uncertainty	3.60%	N	1	1	1	1	3.60%	3.60%	M-1
Drift of output power	5.00%	R	$\sqrt{3}$	1.732	1	1	2.89%	2.89%	∞
Phantom and Setup									
Phantom Uncertainty	4.00%	R	$\sqrt{3}$	1.732	1	1	2.31%	2.31%	∞
Liquid permittivity (mea.)	0.72%	N	1	1	0.64	0.43	0.46%	0.31%	M
Liquid Conductivity (mea.)	1.68%	N	1	1	0.6	0.49	1.01%	0.82%	M
Combined standard uncertainty		RSS					11.77%	11.74%	
Expant uncertainty (95% confidence)							23.54%	23.48%	

Unless otherwise stated the results shown in this test report refer only to the sample(s) tested and such sample(s) are retained for 90 days only.

除非另有說明，此報告結果僅對測試之樣品負責，同時此樣品僅保留90天。本報告未經本公司書面許可，不可部份複製。

 This document is issued by the Company subject to its General Conditions of Service printed overleaf, available on request or accessible at <http://www.sgs.com.tw/Terms-and-Conditions> and for electronic format documents, subject to Terms and Conditions for Electronic Documents at <http://www.sgs.com.tw/Terms-and-Conditions>. Attention is drawn to the limitation of liability, indemnification and jurisdiction issues defined therein. Any holder of this document is advised that information contained hereon reflects the Company's findings at the time of its intervention only and within the limits of Client's instructions, if any. The Company's sole responsibility is to its Client and this document does not exonerate parties to a transaction from exercising all their rights and obligations under the transaction documents. This document cannot be reproduced except in full, without prior written approval of the Company. Any unauthorized alteration, forgery or falsification of the content or appearance of this document is unlawful and offenders may be prosecuted to the fullest extent of the law.

Measurement Uncertainty evaluation template for DUT SAR test (0.3-3G)

A	c	D	e	f	g	h=c * f / e	i=c * g / e	k	
Source of Uncertainty	Tolerance/ Uncertainty	Probability	Div	Div Value	ci (1g)	ci (10g)	Standard uncertainty	Standard uncertainty	vi, or Veff
Measurement system									
Probe calibration	6.00%	N	1	1	1	1	6.00%	6.00%	∞
<i>Isotropy , Axial</i>	3.50%	R	√3	1.732	1	1	2.02%	2.02%	∞
<i>Isotropy, Hemispherical</i>	9.60%	R	√3	1.732	1	1	5.54%	5.54%	∞
Modulation Response	2.40%	R	√3	1.732	1	1	1.40%	1.40%	∞
Boundary Effect	1.00%	R	√3	1.732	1	1	0.58%	0.58%	∞
Linearity	4.70%	R	√3	1.732	1	1	2.71%	2.71%	∞
Detection Limits	1.00%	R	√3	1.732	1	1	0.58%	0.58%	∞
Readout Electronics	0.30%	N	1	1	1	1	0.30%	0.30%	∞
Response time	0.80%	R	√3	1.732	1	1	0.46%	0.46%	∞
Integration Time	2.60%	R	√3	1.732	1	1	1.50%	1.50%	∞
Measurement drift (class A evaluation)	1.75%	R	√3	1.732	1	1	1.01%	1.01%	∞
RF ambient condition - noise	3.00%	R	√3	1.732	1	1	1.73%	1.73%	∞
RF ambient conditions - reflections	3.00%	R	√3	1.732	1	1	1.73%	1.73%	∞
Probe positioner Mechanical restrictions	0.40%	R	√3	1.732	1	1	0.23%	0.23%	∞
Probe Positioning with respect to phantom	2.90%	R	√3	1.732	1	1	1.67%	1.67%	∞
Post-processing	1.00%	R	√3	1.732	1	1	0.58%	0.58%	∞
Max SAR Eval	1.00%	R	√3	1.732	1	1	0.58%	0.58%	∞
Test Sample related									
Test sample positioning	2.90%	N	1	1	1	1	2.90%	2.90%	M-1
Device Holder Uncertainty	3.60%	N	1	1	1	1	3.60%	3.60%	M-1
Drift of output power	5.00%	R	√3	1.732	1	1	2.89%	2.89%	∞
Phantom and Setup									
Phantom Uncertainty	4.00%	R	√3	1.732	1	1	2.31%	2.31%	∞
Liquid permittivity (mea.)	2.50%	N	1	1	0.64	0.43	1.60%	1.08%	M
Liquid Conductivity (mea.)	4.55%	N	1	1	0.6	0.49	2.73%	2.23%	M
Combined standard uncertainty		RSS					11.85%	11.67%	
Expant uncertainty (95% confidence)							23.70%	23.35%	

Unless otherwise stated the results shown in this test report refer only to the sample(s) tested and such sample(s) are retained for 90 days only.

除非另有說明，此報告結果僅對測試之樣品負責，同時此樣品僅保留90天。本報告未經本公司書面許可，不可部份複製。

This document is issued by the Company subject to its General Conditions of Service printed overleaf, available on request or accessible at <http://www.sgs.com.tw/Terms-and-Conditions> and for electronic format documents, subject to Terms and Conditions for Electronic Documents at <http://www.sgs.com.tw/Terms-and-Conditions>. Attention is drawn to the limitation of liability, indemnification and jurisdiction issues defined therein. Any holder of this document is advised that information contained hereon reflects the Company's findings at the time of its intervention only and within the limits of Client's instructions, if any. The Company's sole responsibility is to its Client and this document does not exonerate parties to a transaction from exercising all their rights and obligations under the transaction documents. This document cannot be reproduced except in full, without prior written approval of the Company. Any unauthorized alteration, forgery or falsification of the content or appearance of this document is unlawful and offenders may be prosecuted to the fullest extent of the law.

Appendixes

Refer to separated files for the following appendixes.

ES202090007 SAR_Appendix A Photographs

ES202090007 SAR_Appendix B DAE & Probe Cal. Certificate

ES202090007 SAR_Appendix C Phantom Description & Dipole Cal. Certificate

- End of report -

Unless otherwise stated the results shown in this test report refer only to the sample(s) tested and such sample(s) are retained for 90 days only.
除非另有說明，此報告結果僅對測試之樣品負責，同時此樣品僅保留90天。本報告未經本公司書面許可，不可部份複製。

This document is issued by the Company subject to its General Conditions of Service printed overleaf, available on request or accessible at <http://www.sgs.com.tw/Terms-and-Conditions> and for electronic format documents, subject to Terms and Conditions for Electronic Documents at <http://www.sgs.com.tw/Terms-and-Conditions>. Attention is drawn to the limitation of liability, indemnification and jurisdiction issues defined therein. Any holder of this document is advised that information contained hereon reflects the Company's findings at the time of its intervention only and within the limits of Client's instructions, if any. The Company's sole responsibility is to its Client and this document does not exonerate parties to a transaction from exercising all their rights and obligations under the transaction documents. This document cannot be reproduced except in full, without prior written approval of the Company. Any unauthorized alteration, forgery or falsification of the content or appearance of this document is unlawful and offenders may be prosecuted to the fullest extent of the law.