

System Check_Head_2450MHz

DUT: D2450V2-929

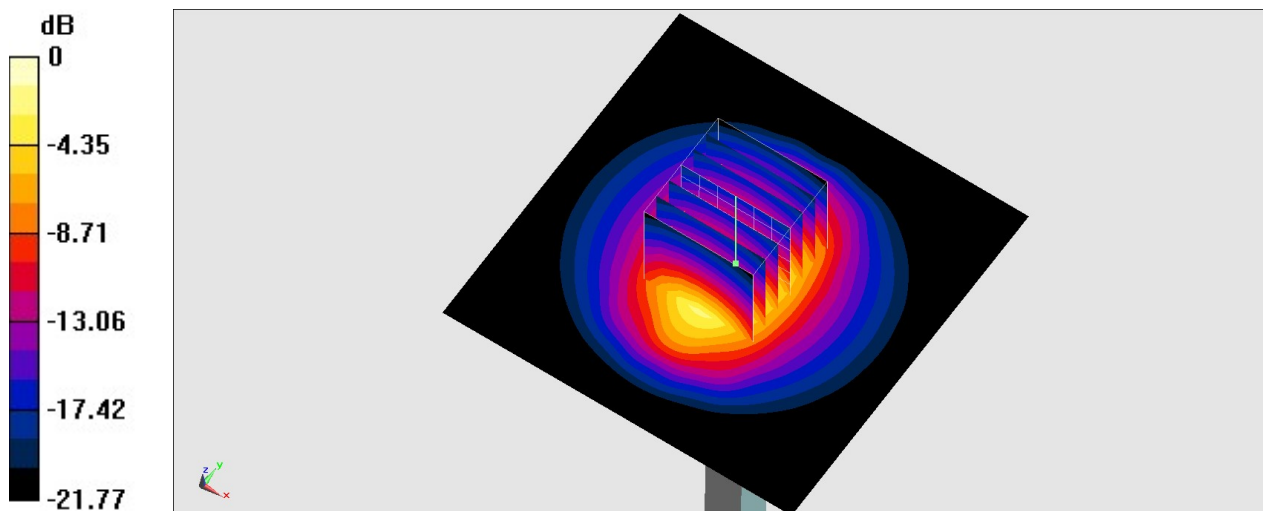
Communication System: CW; Frequency: 2450 MHz; Duty Cycle: 1:1
Medium: HSL_2450_230906 Medium parameters used: $f = 2450$ MHz; $\sigma = 1.821$ S/m; $\epsilon_r = 39.817$;
 $\rho = 1000$ kg/m³
Ambient Temperature : 23.7 °C ; Liquid Temperature : 22.7 °C

DASY5 Configuration:

- Probe: EX3DV4 - SN7791; ConvF(6.6, 7.35, 6.64) @ 2450 MHz; Calibrated: 2023/2/22
- Sensor-Surface: 1.4mm (Mechanical Surface Detection)
- Electronics: DAE4 Sn1697; Calibrated: 2022/12/15
- Phantom: ELI V5.0 (20deg probe tilt); Type: QD OVA 001 BB; Serial: 1227
- Measurement SW: DASY52, Version 52.10 (4); SEMCAD X Version 14.6.14 (7501)

Pin=250mW/Area Scan (81x81x1): Interpolated grid: dx=1.200 mm, dy=1.200 mm
Maximum value of SAR (interpolated) = 20.5 W/kg

Pin=250mW/Zoom Scan (7x7x7)/Cube 0: Measurement grid: dx=5mm, dy=5mm, dz=5mm
Reference Value = 112.0 V/m; Power Drift = -0.01 dB
Peak SAR (extrapolated) = 25.0 W/kg
SAR(1 g) = 12.4 W/kg; SAR(10 g) = 5.8 W/kg
Maximum value of SAR (measured) = 20.5 W/kg



0 dB = 20.5 W/kg = 13.12 dBW/kg

System Check_Head_5250MHz

DUT: D5GHzV2-1171

Communication System: CW; Frequency: 5250 MHz; Duty Cycle: 1:1

Medium: HSL_5G_230906 Medium parameters used: $f = 5250$ MHz; $\sigma = 4.89$ S/m; $\epsilon_r = 37.256$; $\rho = 1000$ kg/m³

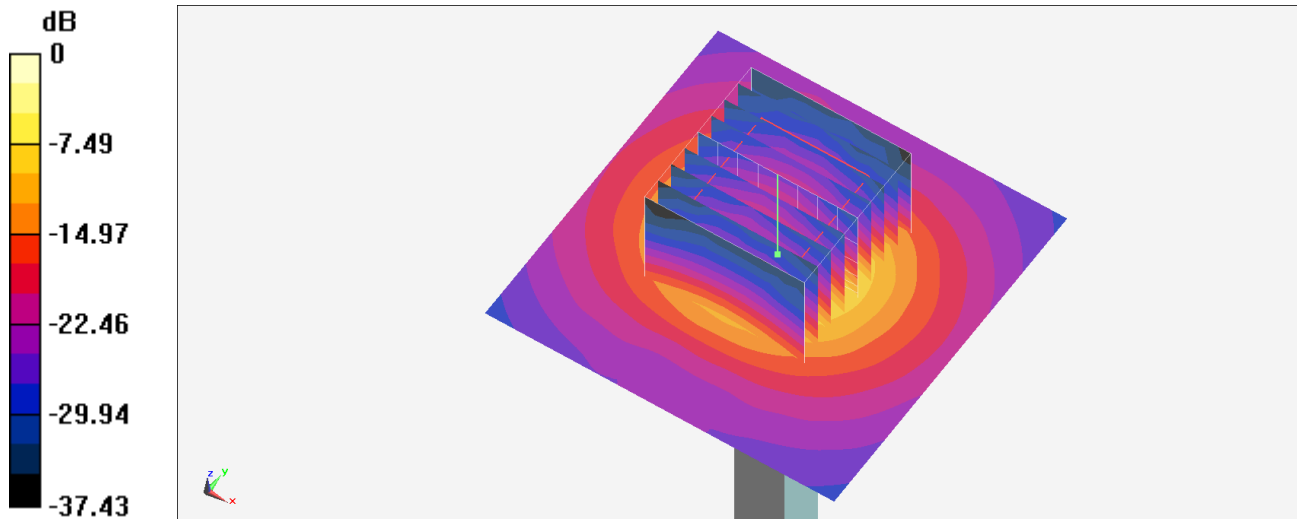
Ambient Temperature : 23.6 °C ; Liquid Temperature : 22.6 °C

DASY5 Configuration:

- Probe: EX3DV4 - SN7785; ConvF(5.18, 5.03, 5.06) @ 5250 MHz; Calibrated: 2023/1/5
- Sensor-Surface: 1.4mm (Mechanical Surface Detection)
- Electronics: DAE4 Sn1424; Calibrated: 2023/1/9
- Phantom: ELI v4.0; Type: QDOVA001BB; Serial: TP-1079
- Measurement SW: DASY52, Version 52.10 (4); SEMCAD X Version 14.6.14 (7483)

Pin=100mW/Area Scan (71x71x1): Interpolated grid: dx=1.000 mm, dy=1.000 mm
Maximum value of SAR (interpolated) = 18.8 W/kg

Pin=100mW/Zoom Scan (9x9x7)/Cube 0: Measurement grid: dx=4mm, dy=4mm, dz=1.4mm
Reference Value = 69.84 V/m; Power Drift = -0.10 dB
Peak SAR (extrapolated) = 31.0 W/kg
SAR(1 g) = 8.04 W/kg; SAR(10 g) = 2.31 W/kg
Maximum value of SAR (measured) = 19.8 W/kg



System Check_Head_5600MHz

DUT: D5GHzV2-1171

Communication System: CW; Frequency: 5600 MHz; Duty Cycle: 1:1

Medium: HSL_5G_230906 Medium parameters used: $f = 5600$ MHz; $\sigma = 5.281$ S/m; $\epsilon_r = 36.721$; $\rho = 1000$ kg/m³

Ambient Temperature : 23.6 °C ; Liquid Temperature : 22.6 °C

DASY5 Configuration:

- Probe: EX3DV4 - SN7785; ConvF(4.43, 4.27, 4.42) @ 5600 MHz; Calibrated: 2023/1/5
- Sensor-Surface: 1.4mm (Mechanical Surface Detection)
- Electronics: DAE4 Sn1424; Calibrated: 2023/1/9
- Phantom: ELI v4.0; Type: QDOVA001BB; Serial: TP-1079
- Measurement SW: DASY52, Version 52.10 (4); SEMCAD X Version 14.6.14 (7483)

Pin=100mW/Area Scan (71x71x1): Interpolated grid: dx=1.000 mm, dy=1.000 mm

Maximum value of SAR (interpolated) = 20.8 W/kg

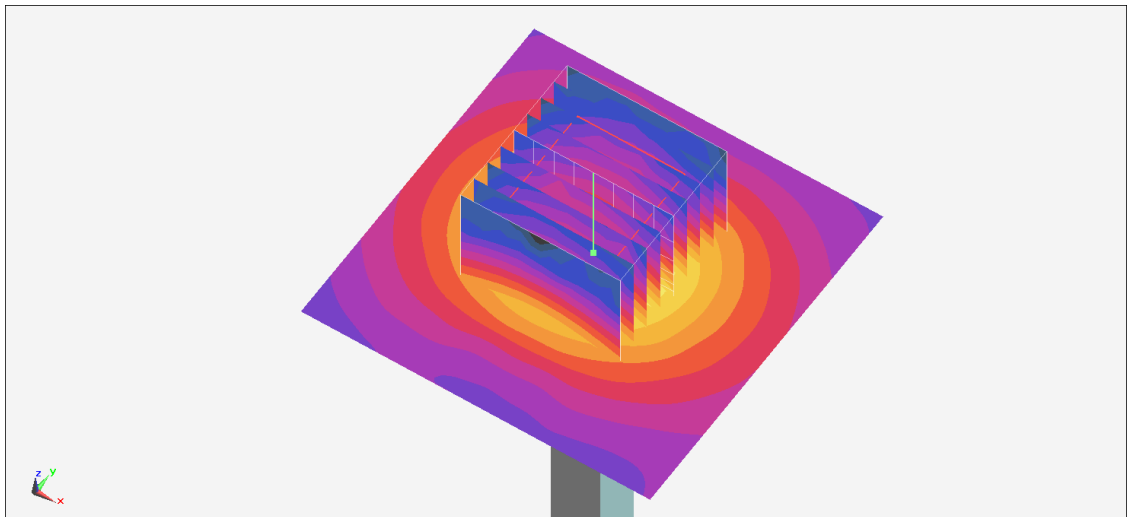
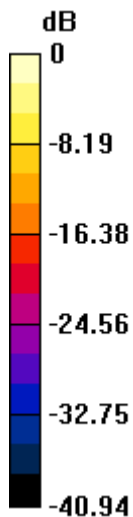
Pin=100mW/Zoom Scan (9x9x7)/Cube 0: Measurement grid: dx=4mm, dy=4mm, dz=1.4mm

Reference Value = 71.10 V/m; Power Drift = -0.00 dB

Peak SAR (extrapolated) = 34.6 W/kg

SAR(1 g) = 8.67 W/kg; SAR(10 g) = 2.48 W/kg

Maximum value of SAR (measured) = 21.7 W/kg



0 dB = 21.7 W/kg = 13.36 dBW/kg

System Check_Head_5750MHz

DUT: D5GHzV2-1171

Communication System: CW; Frequency: 5750 MHz; Duty Cycle: 1:1

Medium: HSL_5G_230906 Medium parameters used: $f = 5750$ MHz; $\sigma = 5.434$ S/m; $\epsilon_r = 36.545$; $\rho = 1000$ kg/m³

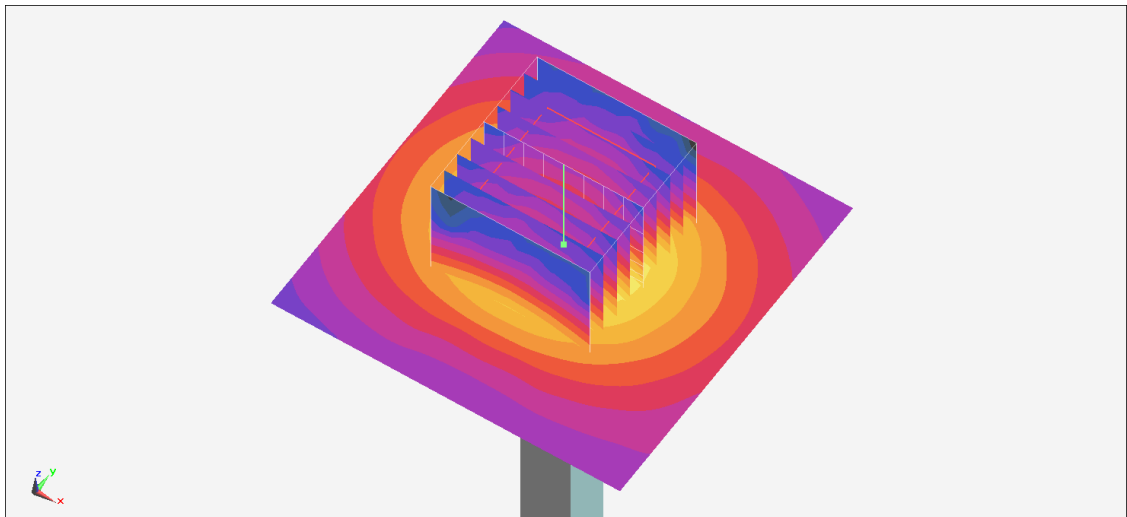
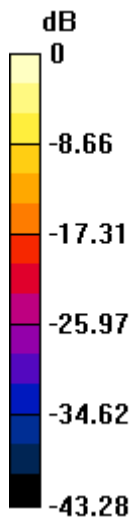
Ambient Temperature : 23.6 °C ; Liquid Temperature : 22.6 °C

DASY5 Configuration:

- Probe: EX3DV4 - SN7785; ConvF(4.56, 4.37, 4.41) @ 5750 MHz; Calibrated: 2023/1/5
- Sensor-Surface: 1.4mm (Mechanical Surface Detection)
- Electronics: DAE4 Sn1424; Calibrated: 2023/1/9
- Phantom: ELI v4.0; Type: QDOVA001BB; Serial: TP-1079
- Measurement SW: DASY52, Version 52.10 (4); SEMCAD X Version 14.6.14 (7483)

Pin=100mW/Area Scan (71x71x1): Interpolated grid: dx=1.000 mm, dy=1.000 mm
Maximum value of SAR (interpolated) = 19.2 W/kg

Pin=100mW/Zoom Scan (9x9x7)/Cube 0: Measurement grid: dx=4mm, dy=4mm, dz=1.4mm
Reference Value = 67.92 V/m; Power Drift = 0.03 dB
Peak SAR (extrapolated) = 33.5 W/kg
SAR(1 g) = 8.01 W/kg; SAR(10 g) = 2.29 W/kg
Maximum value of SAR (measured) = 20.4 W/kg



0 dB = 20.4 W/kg = 13.10 dBW/kg