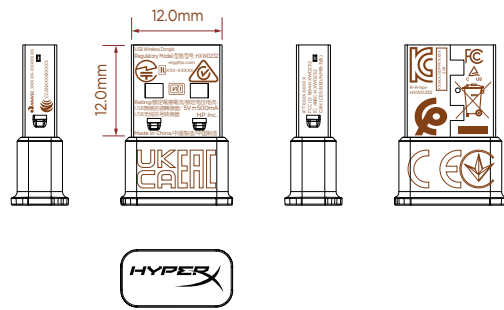


- Treatment: Laser Marking(Phase1)
- Treatment: Laser Marking(Phase2 Increase)



- Treatment: Tooling Marking

