



Antenna Test Report

MERRY Sounds Excellent



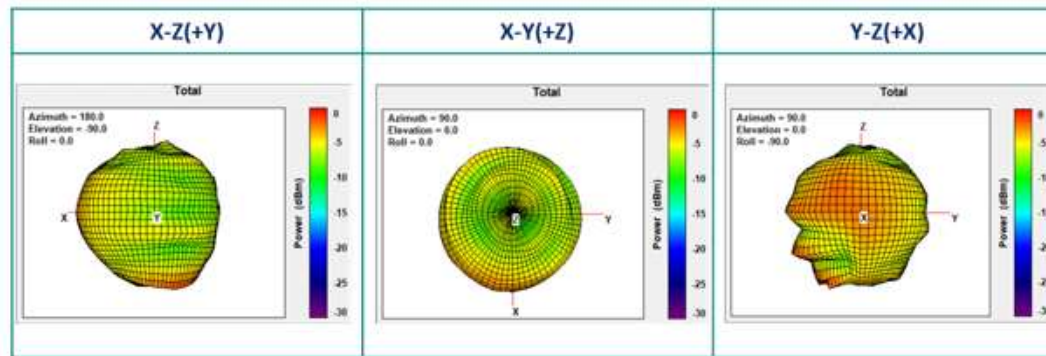
Antenna Information

- 1) 天線材質 **Antenna Material : FPC**
- 2) 天線型號 **Antenna model name : 09D40000000K**
- 3) 工作頻段 **Operating Frequency : 2.4GHz-2.5GHz**
- 4) 輸入阻抗 **Input Impedance : 50Ω**
- 5) 駐波比 **Standing-Wave Ratio : 2:1**
- 6) 天線增益 **Antenna Gain : 2.49 dBi**
- 7) 極化方式 **Polarization Type : Linear polarization**
- 8) 連接方式 **Connect Type : I-PEX Connector**



RF antenna spec

Antenna pattern (2D or 3D):



Merry HDT566_FSL_2400~2500MHz											
Frequency (MHz)	2400	2410	2420	2430	2440	2450	2460	2470	2480	2490	2500
Point Values											
Ant. Port Input Pwr. (dBm)	0.00	0.00	0.00	0.00	0.00	0.00	0.00	0.00	0.00	0.00	0.00
Tot. Rad. Pwr. (dBm)	-3.56	-3.63	-3.46	-3.46	-3.28	-3.25	-3.21	-3.15	-3.14	-3.02	-3.03
Peak EIRP (dBm)	1.91	1.86	1.99	1.98	2.15	2.19	2.22	2.32	2.33	2.49	2.49
Directivity (dBi)	5.46	5.48	5.45	5.44	5.43	5.44	5.44	5.47	5.48	5.52	5.51
Efficiency (dB)	-3.56	-3.63	-3.46	-3.46	-3.28	-3.25	-3.21	-3.15	-3.14	-3.02	-3.03
Efficiency (%)	44.07	43.38	45.07	45.05	47.04	47.32	47.70	48.42	48.48	49.85	49.81
Gain (dBi)	1.91	1.86	1.99	1.98	2.15	2.19	2.22	2.32	2.33	2.49	2.49



Table of calibrated : Keysight E5071C ENA Vector Network Analyzer

Calibration Date: 2023/2/10

Test Date: 2023/08/25

Names of test personnel : Frankie Chang

Names of commercial test software being used :

ETS-Lindgren EM- Quest 1.16



TYPE OF EQUIPMENT ↵	MODEL ↵	MANUFACTURER ↵	CALIBRATION DATE ↵	CALIBRATION DUE DATE ↵
Measurement Software ↵	EM-Quest 1.16 ↵	ETS-Lindgren ↵	N/A ↵	N/A ↵
Vector Network Analyzer ↵ Customer provided unit ↵	5071C ↵ S/N: MY46214689 ↵	Keysight ↵	2023/2/10 ↵	2024/2/9 ↵

The anechoic chamber is a standard AMS-8500 rectangular anechoic chamber designed and built by ETS-Lindgren with the following nominal dimensions

Rectangular Test Region:

Length: 7.32 m (24 ft)

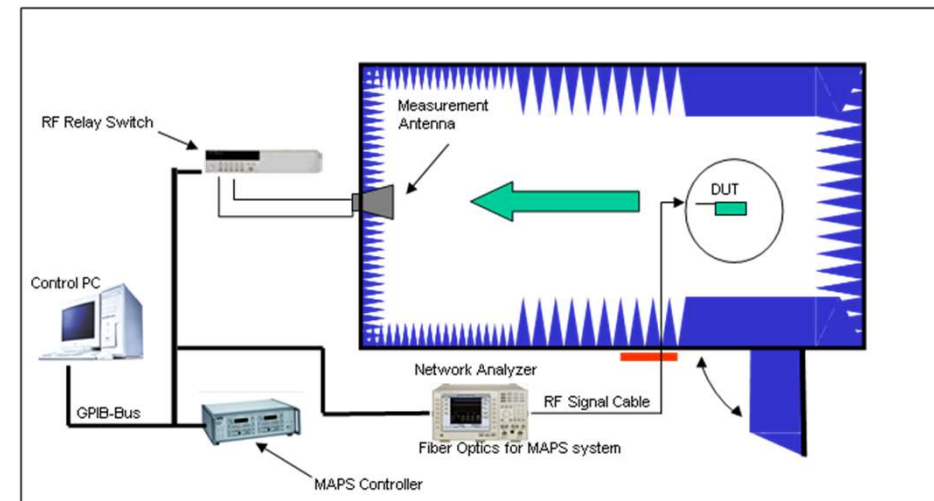
Width: 3.66 m (12 ft)

Height: 3.66 m (12 ft)

Turntable height: 1.45 m

Measurement antenna height: 1.75 m

Measurement distance: 4.860 m



Description of how measurements are made:

- Position the DUT on the test turntable.
- Record the coordinates and take picture.
- Connect the RF cable.
- Leave the chamber and close the door.
- Run the software.
- Wait for the test to end and confirm the data.



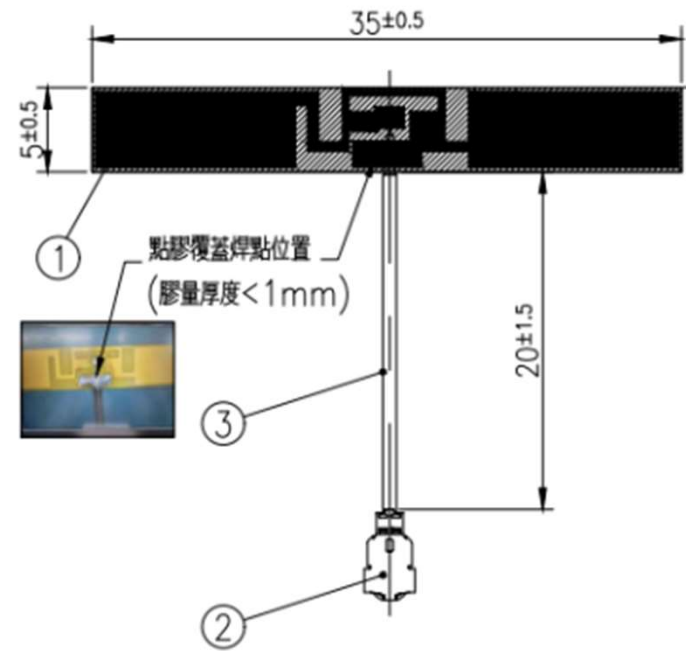
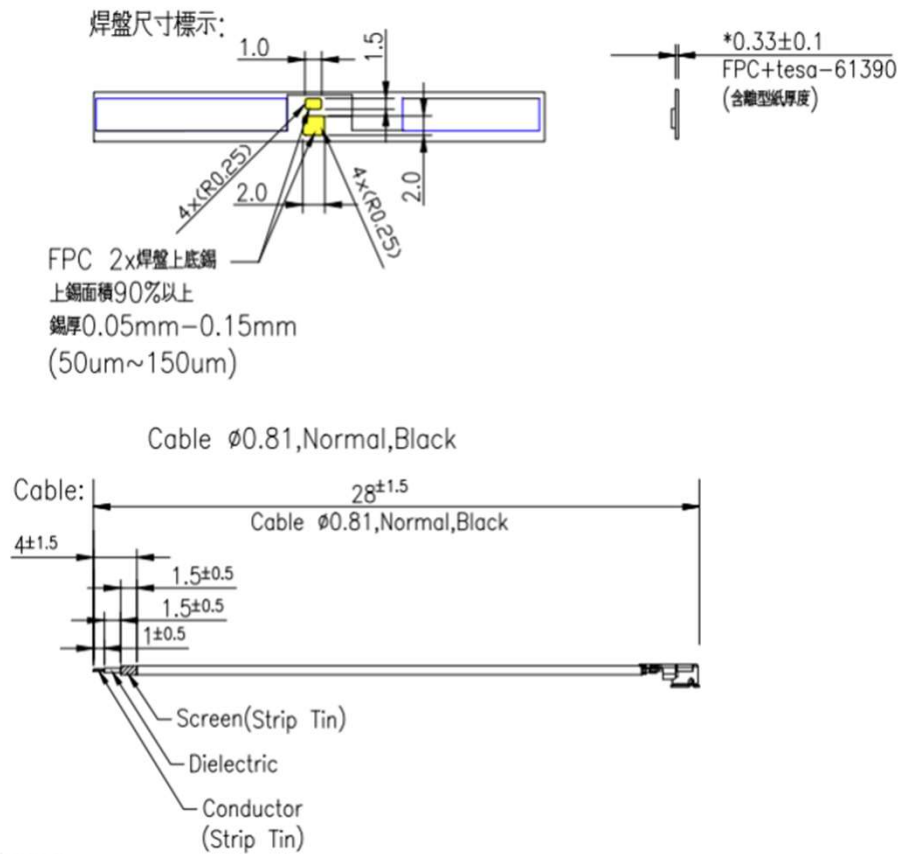
Name and address of the antenna manufacturer

Manufacturer name : Unictron Technologies Corporation

Manufacturer address : 5F., No. 83, Kewang Rd., Longtan Dist., Taoyuan City 32556, Taiwan (R.O.C.)

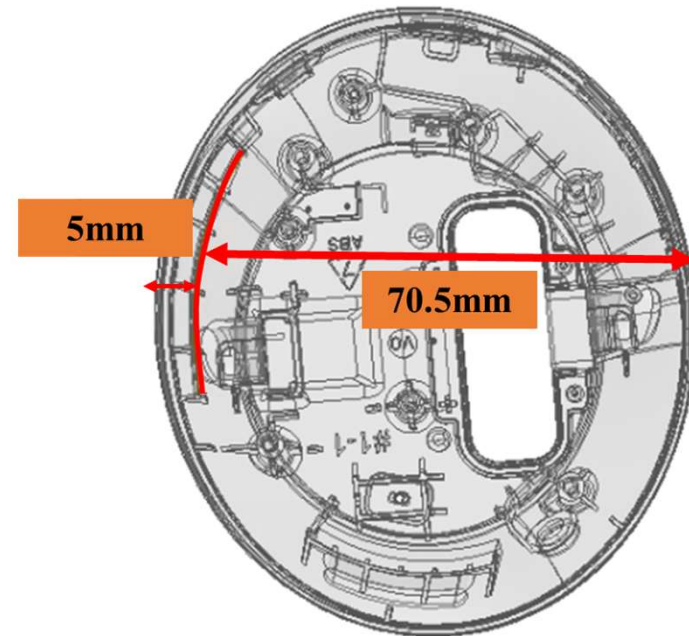
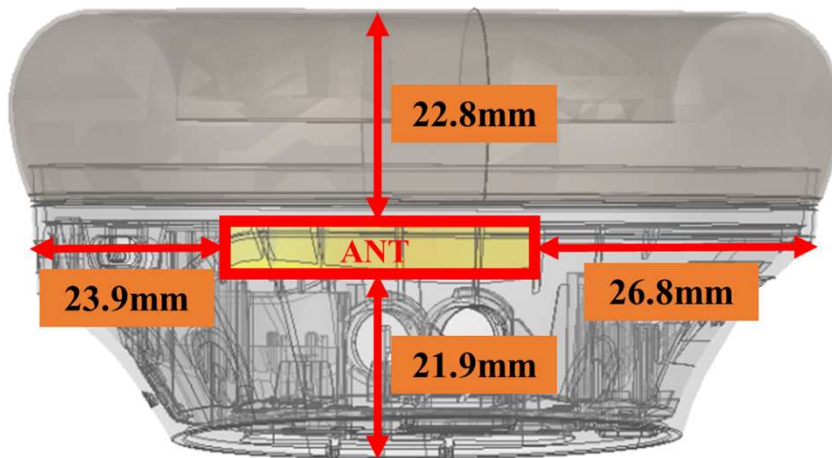


Full electrical and mechanical specifications





Antenna location



Thank You

Delivering Fidelity Sound to Enrich Human's Life

