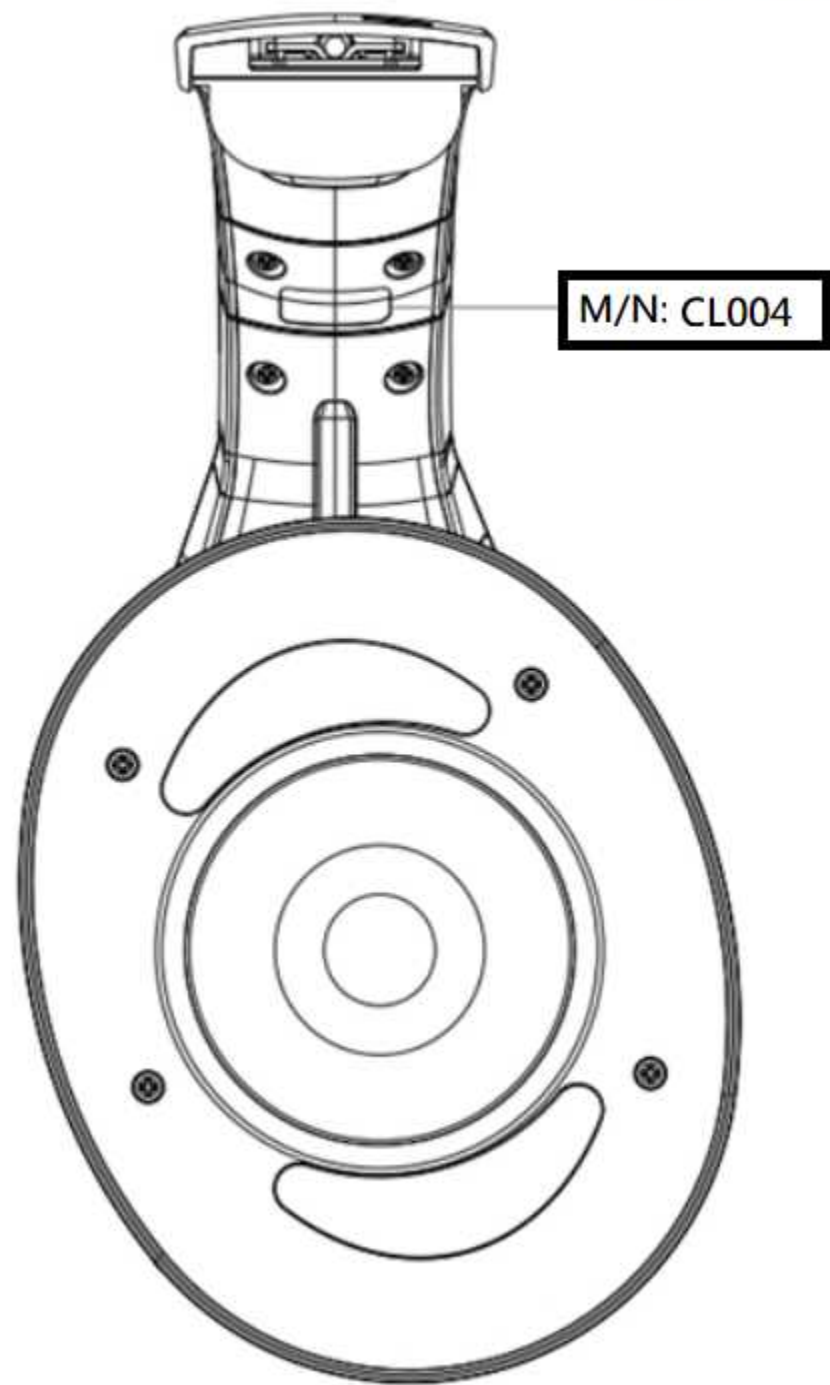


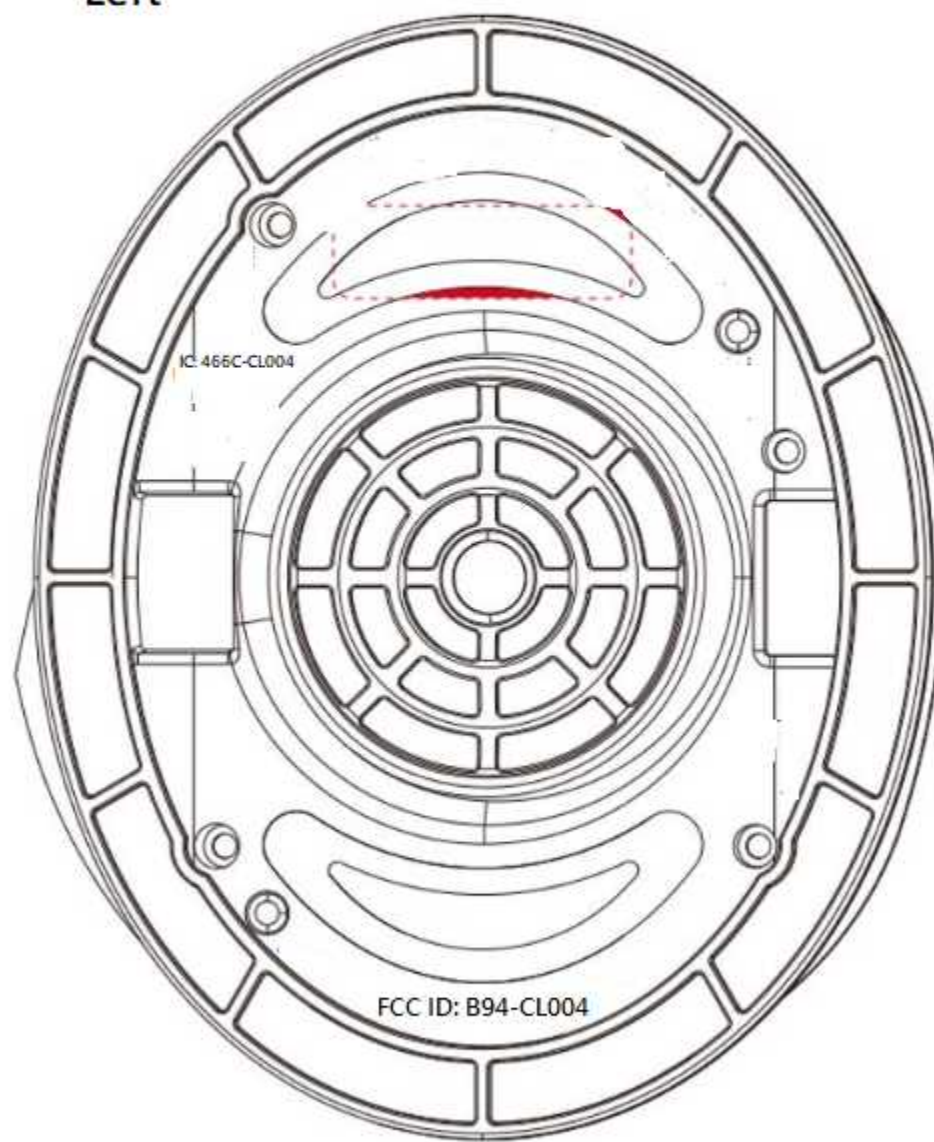
Label location

Left



M/N: CL004

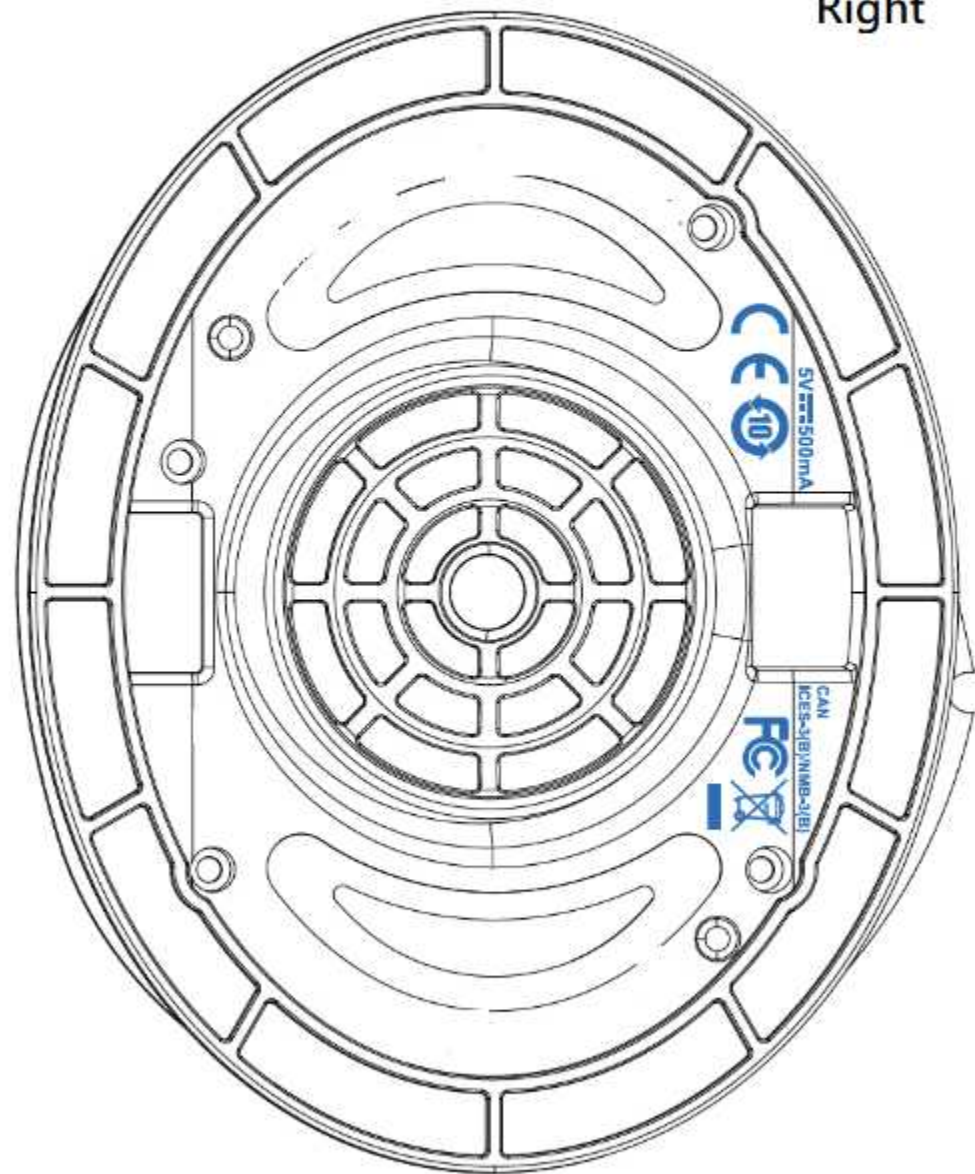
Left



IC 466C-CL004

FCC ID: B94-CL004

Right



CE 10

SV=500mA

CAN
ICES-3(B)/NMB-3(B)
FCX