

## Partial FCC Test Report

**Report No.:** RF170927C20C-2

**FCC ID:** B94-8265D2WB

**Test Model:** TPN-Q200

**Received Date:** Oct. 27, 2017

**Test Date:** Jan. 11, 2018 ~ Feb. 05, 2018

**Issued Date:** Feb. 09, 2018

**Applicant:** HP Inc.

**Address:** 3390 East Harmony Road, Fort Collins, Colorado 80528, United States

**Issued By:** Bureau Veritas Consumer Products Services (H.K.) Ltd., Taoyuan Branch

**Lab Address:** No. 47-2, 14th Ling, Chia Pau Vil., Lin Kou Dist., New Taipei City, Taiwan ( R.O.C )

**Test Location (1):** No. 19, Hwa Ya 2nd Rd, Wen Hwa Tsuen, Kwei Shan Hsiang, Taoyuan Hsien 333, Taiwan, R.O.C.

**Test Location (2):** B2F, No.215, Sec. 3, Beixin Rd. Xindian Dist. New Taipei City, R.O.C. Taiwan

**FCC Registration /  
Designation Number:** 427177 / TW0011



This report is for your exclusive use. Any copying or replication of this report to or for any other person or entity, or use of our name or trademark, is permitted only with our prior written permission. This report sets forth our findings solely with respect to the test samples identified herein. The results set forth in this report are not indicative or representative of the quality or characteristics of the lot from which a test sample was taken or any similar or identical product unless specifically and expressly noted. Our report includes all of the tests requested by you and the results thereof based upon the information that you provided to us. You have 60 days from date of issuance of this report to notify us of any material error or omission caused by our negligence, provided, however, that such notice shall be in writing and shall specifically address the issue you wish to raise. A failure to raise such issue within the prescribed time shall constitute your unqualified acceptance of the completeness of this report, the tests conducted and the correctness of the report contents. Unless specific mention, the uncertainty of measurement has been explicitly taken into account to declare the compliance or non-compliance to the specification.

## Table of Contents

|  |           |
|--|-----------|
| <b>Release Control Record .....</b>                              | <b>3</b>  |
| <b>1 Certificate of Conformity .....</b>                         | <b>4</b>  |
| <b>2 Summary of Test Results.....</b>                            | <b>5</b>  |
| 2.1 Measurement Uncertainty.....                                 | 5         |
| 2.2 Modification Record .....                                    | 5         |
| <b>3 General Information .....</b>                               | <b>6</b>  |
| 3.1 General Description of EUT .....                             | 6         |
| 3.2 Description of Test Modes.....                               | 8         |
| 3.2.1 Test Mode Applicability and Tested Channel Detail.....     | 9         |
| 3.3 Description of Support Units .....                           | 10        |
| 3.3.1 Configuration of System under Test .....                   | 10        |
| 3.4 General Description of Applied Standards.....                | 10        |
| <b>4 Test Types and Results .....</b>                            | <b>11</b> |
| 4.1 Radiated Emission and Bandedge Measurement .....             | 11        |
| 4.1.1 Limits of Radiated Emission and Bandedge Measurement ..... | 11        |
| 4.1.2 Test Instruments .....                                     | 12        |
| 4.1.3 Test Procedures.....                                       | 13        |
| 4.1.4 Deviation from Test Standard .....                         | 13        |
| 4.1.5 Test Set Up .....  | 14        |
| 4.1.6 EUT Operating Conditions.....                              | 15        |
| 4.1.7 Test Results .....   | 16        |
| 4.2 Conducted Output Power Measurement .....                     | 37        |
| 4.2.1 Limits of Conducted Output Power Measurement.....          | 37        |
| 4.2.2 Test Setup.....  | 37        |
| 4.2.3 Test Instruments .....                                     | 37        |
| 4.2.4 Test Procedures.....                                       | 37        |
| 4.2.5 Deviation from Test Standard .....                         | 37        |
| 4.2.6 EUT Operating Conditions.....                              | 37        |
| 4.2.7 Test Results .....   | 38        |
| <b>5 Pictures of Test Arrangements.....</b>                      | <b>39</b> |
| <b>Appendix – Information on the Testing Laboratories .....</b>  | <b>40</b> |

### Release Control Record

| Issue No.      | Description      | Date Issued   |
|----------------|------------------|---------------|
| RF170927C20C-2 | Original Release | Feb. 09, 2018 |

## 1 Certificate of Conformity

**Product:** Notebook Computer

**Brand:** HP

**Test Model:** TPN-Q200

**Sample Status:** Production Unit

**Applicant:** HP Inc.

**Test Date:** Jan. 11, 2018 ~ Feb. 05, 2018

**Standards:** 47 CFR FCC Part 15, Subpart C (Section 15.247)  
ANSI C63.10:2013

The above equipment has been tested by **Bureau Veritas Consumer Products Services (H.K.) Ltd., Taoyuan Branch**, and found compliance with the requirement of the above standards. The test record, data evaluation & Equipment Under Test (EUT) configurations represented herein are true and accurate accounts of the measurements of the sample's RF characteristics under the conditions specified in this report.

**Prepared by :**                     *Vera Huang*                    , **Date:**                     Feb. 09, 2018                      
Vera Huang / Specialist

**Approved by :**                     *Dylan Chiou*                    , **Date:**                     Feb. 09, 2018                      
Dylan Chiou / Project Engineer

## 2 Summary of Test Results

| 47 CFR FCC Part 15, Subpart C (Section 15.247) |  |        |  |
|--|--|--------|--|
| FCC Clause                                     | Test Item                                    | Result | Remarks  |
| 15.207   | AC Power Conducted Emission                  | N/A    | Refer to Note  |
| 15.205 /<br>15.209 /<br>15.247(d)              | Radiated Emissions and Band Edge Measurement | Pass   | Meet the requirement of limit.<br>Minimum passing margin is -1.02 dB at 2484.64 MHz and 2483.52 MHz. |
| 15.247(d)                                      | Antenna Port Emission                        | N/A    | Refer to Note  |
| 15.247(a)(2)                                   | 6 dB Bandwidth                               | N/A    | Refer to Note  |
| ---  | Occupied Bandwidth Measurement               | N/A    | Refer to Note  |
| 15.247(b)                                      | Conducted power                              | Pass   | Meet the requirement of limit.   |
| 15.247(e)                                      | Power Spectral Density                       | N/A    | Refer to Note  |
| 15.203   | Antenna Requirement                          | N/A    | Refer to Note  |

### Note:

Only test items for Radiated Emissions and Conducted power tests were performed for this report. For other test data, please refer to Intel Report No.: 160321-02.TR04 for module (Brand: Intel, Model: 8265D2W).

### 2.1 Measurement Uncertainty

Where relevant, the following measurement uncertainty levels have been estimated for tests performed on the EUT:

The listed uncertainties are the worst case uncertainty for the entire range of measurement. Please note that the uncertainty values are provided for informational purposes only and are not used in determining the PASS/FAIL results.

| Measurement                        | Frequency          | Expanded Uncertainty (k=2) ( $\pm$ ) |
|------------------------------------|--------------------|--------------------------------------|
| Conducted Emissions at mains ports | 150 kHz ~ 30 MHz   | 2.44 dB                              |
| Radiated Emissions up to 1 GHz     | 30 MHz ~ 200 MHz   | 2.0153 dB                            |
|                                    | 200 MHz ~ 1000 MHz | 2.0224 dB                            |
| Radiated Emissions above 1 GHz     | 1 GHz ~ 18 GHz     | 1.0121 dB                            |
|                                    | 18 GHz ~ 40 GHz    | 1.1508 dB                            |

### 2.2 Modification Record

There were no modifications required for compliance.

### 3 General Information

#### 3.1 General Description of EUT

|                              |  |
|------------------------------|--|
| <b>Product</b>               | Notebook Computer  |
| <b>Brand</b>                 | HP   |
| <b>Test Model</b>            | TPN-Q200   |
| <b>Status of EUT</b>         | Production Unit  |
| <b>Power Supply Rating</b>   | 5 Vdc or 9 Vdc or 10 Vdc (adapter)   |
| <b>Modulation Type</b>       | CCK, DQPSK, DBPSK for DSSS<br>64QAM, 16QAM, QPSK, BPSK for OFDM  |
| <b>Modulation Technology</b> | DSSS, OFDM   |
| <b>Transfer Rate</b>         | 802.11b: 11.0 / 5.5 / 2.0 / 1.0 Mbps<br>802.11g: 54.0 / 48.0 / 36.0 / 24.0 / 18.0 / 12.0 / 9.0 / 6.0 Mbps<br>802.11n: up to 300 Mbps |
| <b>Operating Frequency</b>   | 2412 ~ 2472 MHz  |
| <b>Number of Channel</b>     | 13 for 802.11b, 802.11g, 802.11n (HT20)<br>9 for 802.11n (HT40)  |
| <b>Antenna Type</b>          | Refer to Note as below   |
| <b>Antenna Connector</b>     | N/A  |
| <b>Accessory Device</b>      | Refer to Note as below   |
| <b>Data Cable Supplied</b>   | N/A  |

Note:

1. The EUT incorporates a MIMO function. Physically, the EUT provides two completed transmitters and two receivers.

| Modulation Mode | Tx Function |
|-----------------|-------------|
| 802.11b         | 1TX         |
| 802.11g         | 1TX         |
| 802.11n (HT20)  | 2TX         |
| 802.11n (HT40)  | 2TX         |

2. The EUT contains following accessory devices.

| Product | Brand | Model    | Description   |
|---------|-------|----------|---|
| Adapter | hp    | TPN-DA08 | I/P: 100-240 Vac, 50/60 Hz, 1.8 A<br>O/P: 5 Vdc, 3 A or 9 Vdc, 3 A<br>or 10 Vdc, 5 A<br>1.76m shielded cable w/o core |

3. The antenna information is listed as below.

| Antenna Type | Mode        | Manufacturer | Parts Number  | Antenna Gain                   |                          |                           |                            |
|--------------|-------------|--------------|---|--------------------------------|--------------------------|---------------------------|----------------------------|
|              |             |              |   | WLAN<br>2.4 GHz /<br>Bluetooth | WLAN<br>5.15~5.35<br>GHz | WLAN<br>5.47~5.725<br>GHz | WLAN<br>5.725~5.850<br>GHz |
| PIFA         | NB Mode     | WNC          | WLAN Main Antenna: DQ6415GB200<br>WLAN Aux Antenna: DQ6415GB200 | 2.48                           | 2.39                     | -0.16                     | -1.17                      |
|              | Tablet Mode | WNC          | WLAN Main Antenna: DQ6415GB200<br>WLAN Aux Antenna: DQ6415GB200 | 1.21                           | 2.38                     | 1.45                      | 0.82                       |

4. The above EUT information is declared by manufacturer and for more detailed features description, please refer to the manufacturer's specifications or user's manual.

### 3.2 Description of Test Modes

13 channels are provided for 802.11b, 802.11g and 802.11n (HT20):

| Channel | Frequency (MHz) | Channel | Frequency (MHz) |
|---------|-----------------|---------|-----------------|
| 1       | 2412            | 8       | 2447            |
| 2       | 2417            | 9       | 2452            |
| 3       | 2422            | 10      | 2457            |
| 4       | 2427            | 11      | 2462            |
| 5       | 2432            | 12      | 2467            |
| 6       | 2437            | 13      | 2472            |
| 7       | 2442            |         |                 |

9 channels are provided for 802.11n (HT40):

| Channel | Frequency (MHz) | Channel | Frequency (MHz) |
|---------|-----------------|---------|-----------------|
| 3       | 2422            | 8       | 2447            |
| 4       | 2427            | 9       | 2452            |
| 5       | 2432            | 10      | 2457            |
| 6       | 2437            | 11      | 2462            |
| 7       | 2442            |         |                 |



### 3.2.1 Test Mode Applicability and Tested Channel Detail

| EUT Configure Mode | Applicable To |           | Description |
|--------------------|---------------|-----------|-------------|
|                    | RE $\geq$ 1G  | RE $<$ 1G |             |
| -                  | √             | √         | -           |

Where **RE $\geq$ 1G**: Radiated Emission above 1 GHz      **RE $<$ 1G**: Radiated Emission below 1 GHz

**NOTE:** The EUT had been pre-tested on the positioned of each 3 axis. The worst case was found when positioned on **Y-plane**.

**NOTE:** “-” means no effect.

#### **Radiated Emission Test (Above 1 GHz):**

- Pre-Scan has been conducted to determine the worst-case mode from all possible combinations between available modulations, data rates and antenna ports (if EUT with antenna diversity architecture).
- Following channel(s) was (were) selected for the final test as listed below.

| EUT Configure Mode | Mode           | Available Channel | Tested Channel   | Modulation Technology | Modulation Type | Data Rate (Mbps) |
|--------------------|----------------|-------------------|------------------|-----------------------|-----------------|------------------|
| -                  | 802.11b        | 1 to 13           | 1, 6, 11, 12, 13 | DSSS                  | DBPSK           | 1.0              |
| -                  | 802.11g        | 1 to 13           | 1, 6, 11, 12, 13 | OFDM                  | BPSK            | 6.0              |
| -                  | 802.11n (HT20) | 1 to 13           | 1, 6, 11, 12, 13 | OFDM                  | BPSK            | MCS0             |
| -                  | 802.11n (HT40) | 3 to 11           | 3, 6, 9, 10, 11  | OFDM                  | BPSK            | MCS0             |

#### **Radiated Emission Test (Below 1 GHz):**

- Pre-Scan has been conducted to determine the worst-case mode from all possible combinations between available modulations, data rates and antenna ports (if EUT with antenna diversity architecture).
- Following channel(s) was (were) selected for the final test as listed below.

| EUT Configure Mode | Mode    | Available Channel | Tested Channel | Modulation Technology | Modulation Type | Data Rate (Mbps) |
|--------------------|---------|-------------------|----------------|-----------------------|-----------------|------------------|
| -                  | 802.11b | 1 to 13           | 13             | DSSS                  | DBPSK           | 1.0              |

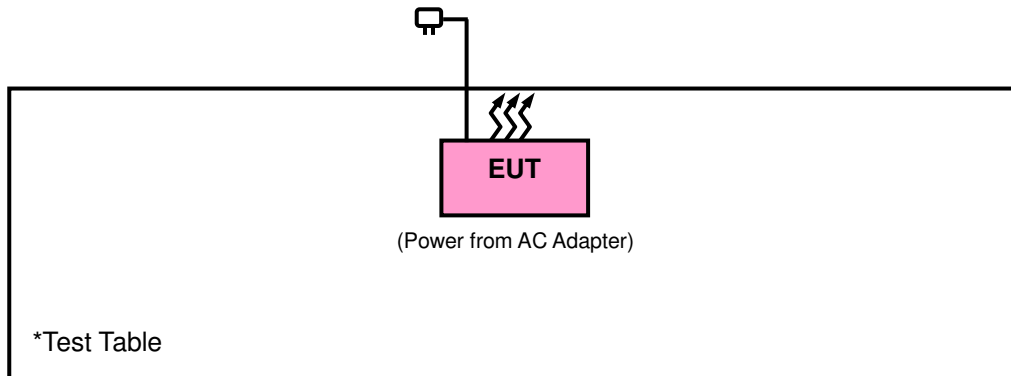
#### **Test Condition:**

| Applicable To | Environmental Conditions | Input Power    | Tested by     |
|---------------|--------------------------|----------------|---------------|
| RE $\geq$ 1G  | 25 deg. C, 65 % RH       | 120 Vac, 60 Hz | Charles Hsiao |
| RE $<$ 1G     | 25 deg. C, 65 % RH       | 120 Vac, 60 Hz | Charles Hsiao |

### 3.3 Description of Support Units

The EUT has been tested as an independent unit together with other necessary accessories or support units.

#### 3.3.1 Configuration of System under Test



### 3.4 General Description of Applied Standards

The EUT is a RF Product. According to the specifications of the manufacturer, it must comply with the requirements of the following standards:

**FCC Part 15, Subpart C (15.247)**

**558074 D01 DTS Meas Guidance v04**

**662911 D01 Multiple Transmitter Output v02r01**

ANSI C63.10-2013

All test items have been performed and recorded as per the above standards.

**NOTE:** The EUT has been verified to comply with the requirements of FCC Part 15, Subpart B, Class B (DoC).  
The test report has been issued separately.

## 4 Test Types and Results

### 4.1 Radiated Emission and Bandedge Measurement

#### 4.1.1 Limits of Radiated Emission and Bandedge Measurement

Radiated emissions which fall in the restricted bands must comply with the radiated emission limits specified as below table. Other emissions shall be at least 20 dB below the highest level of the desired power:

| Frequencies (MHz) | Field Strength (microvolts/meter) | Measurement Distance (meters) |
|-------------------|-----------------------------------|-------------------------------|
| 0.009 ~ 0.490     | 2400/F (kHz)                      | 300                           |
| 0.490 ~ 1.705     | 24000/F (kHz)                     | 30                            |
| 1.705 ~ 30.0      | 30                                | 30                            |
| 30 ~ 88           | 100                               | 3                             |
| 88 ~ 216          | 150                               | 3                             |
| 216 ~ 960         | 200                               | 3                             |
| Above 960         | 500                               | 3                             |

**NOTE:**

1. The lower limit shall apply at the transition frequencies.
2. Emission level (dBuV/m) = 20 log Emission level (uV/m).
3. For frequencies above 1000 MHz, the field strength limits are based on average detector, however, the peak field strength of any emission shall not exceed the maximum permitted average limits, specified above by more than 20 dB under any condition of modulation.

## 4.1.2 Test Instruments

| Description & Manufacturer                     | Model No.       | Serial No.  | Date of Calibration | Due Date of Calibration |
|--|-----------------|---|---------------------|-------------------------|
| Test Receiver<br>Agilent Technologies          | N9038A          | MY52260177  | Jul. 05, 2017       | Jul. 04, 2018           |
| Spectrum Analyzer<br>ROHDE & SCHWARZ           | FSU43           | 101261  | Jan. 11, 2018       | Jan. 10, 2019           |
| BILOG Antenna<br>SCHWARZBECK                   | VULB9168        | 9168-472  | Dec. 06, 2017       | Dec. 05, 2018           |
| HORN Antenna<br>ETS-Lindgren                   | 3117            | 00143293  | Jun. 26, 2017       | Jun. 25, 2018           |
| HORN Antenna<br>SCHWARZBECK                    | BBHA 9170       | 9170-480  | Dec. 01, 2017       | Nov. 30, 2018           |
| Fixed Attenuator<br>Mini-Circuits              | BW-N10W5+       | NA  | Jul. 07, 2017       | Jul. 06, 2018           |
| Bluetooth Tester                               | CBT             | 100980  | Jun. 28, 2017       | Jun. 27, 2019           |
| Loop Antenna                                   | EM-6879         | 269   | Aug. 11, 2017       | Aug. 10, 2018           |
| Preamplifier<br>Agilent                        | 310N            | 187226  | Jun. 23, 2017       | Jun. 22, 2018           |
| Preamplifier<br>Agilent                        | 83017A          | MY39501357  | Jun. 23, 2017       | Jun. 22, 2018           |
| Power Meter<br>Anritsu                         | ML2495A         | 1012010   | Aug. 15, 2017       | Aug. 14, 2018           |
| Power Sensor<br>Anritsu                        | MA2411B         | 1315050   | Aug. 15, 2017       | Aug. 14, 2018           |
| RF signal cable<br>ETS-LINDGREN                | 5D-FB           | Cable-CH1-01(R<br>FC-SMS-100-SM<br>S-120+RFC-SMS<br>-100-SMS-400) | Jun. 26, 2017       | Jun. 25, 2018           |
| RF signal cable<br>ETS-LINDGREN                | 8D-FB           | Cable-CH1-02(R<br>FC-SMS-100-SM<br>S-24)                          | Jun. 26, 2017       | Jun. 25, 2018           |
| Software<br>BV ADT                             | E3<br>8.130425b | NA  | NA                  | NA                      |
| Antenna Tower<br>MF                            | NA              | NA  | NA                  | NA                      |
| Turn Table<br>MF                               | NA              | NA  | NA                  | NA                      |
| Antenna Tower & Turn<br>Table Controller<br>MF | MF-7802         | NA  | NA                  | NA                      |

- Note: 1. The calibration interval of the above test instruments is 12 months and the calibrations are traceable to NML/ROC and NIST/USA.
2. The test was performed in HsinTien Chamber 1.
3. The horn antenna and preamplifier (model: 83017A) are used only for the measurement of emission frequency above 1 GHz if tested.
4. The IC Site Registration No. is IC7450I-1.

#### 4.1.3 Test Procedures

- a. The EUT was placed on the top of a rotating table 0.8 meters (for below 1 GHz) / 1.5 meters (for above 1 GHz) above the ground at 3 meter chamber room for test. The table was rotated 360 degrees to determine the position of the highest radiation.
- b. The EUT was set 3 meters away from the interference-receiving antenna, which was mounted on the top of a variable-height antenna tower.
- c. The height of antenna is varied from one meter to four meters above the ground to determine the maximum value of the field strength. Both horizontal and vertical polarizations of the antenna are set to make the measurement.
- d. For each suspected emission, the EUT was arranged to its worst case and then the antenna was tuned to heights from 1 meter to 4 meters and the rotatable table was turned from 0 degrees to 360 degrees to find the maximum reading.
- e. The test-receiver system was set to quasi-peak detect function and specified bandwidth with maximum hold mode when the test frequency is below 1 GHz.
- f. The test-receiver system was set to peak and average detected function and specified bandwidth with maximum hold mode when the test frequency is above 1 GHz. If the peak reading value also meets average limit, measurement with the average detector is unnecessary.

**Note:**

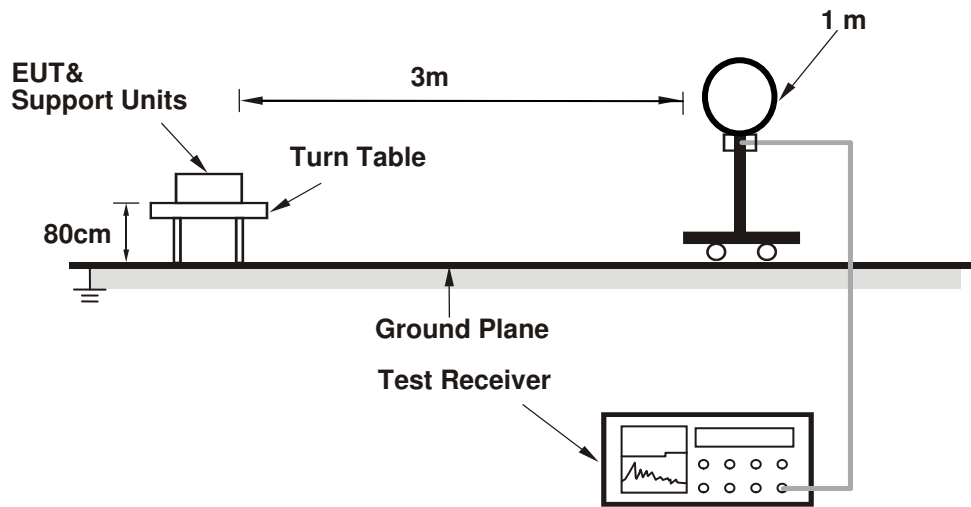
1. The resolution bandwidth and video bandwidth of test receiver/spectrum analyzer is 120 kHz & 360 KHz for Quasi-peak detection (QP) at frequency below 1 GHz.
2. The resolution bandwidth of test receiver/spectrum analyzer is 1 MHz and the video bandwidth is 3 MHz for Peak detection (PK) at frequency above 1 GHz.
3. The resolution bandwidth of test receiver/spectrum analyzer is 1 MHz and the video bandwidth is 1/T for Average (Duty cycle < 98 %) detection at frequency above 1 GHz.
4. The resolution bandwidth of test receiver/spectrum analyzer is 1 MHz and the video bandwidth is 10 Hz (Duty cycle  $\geq$  98 %) for Average detection (AV) at frequency above 1 GHz.
5. All modes of operation were investigated and the worst-case emissions are reported.

#### 4.1.4 Deviation from Test Standard

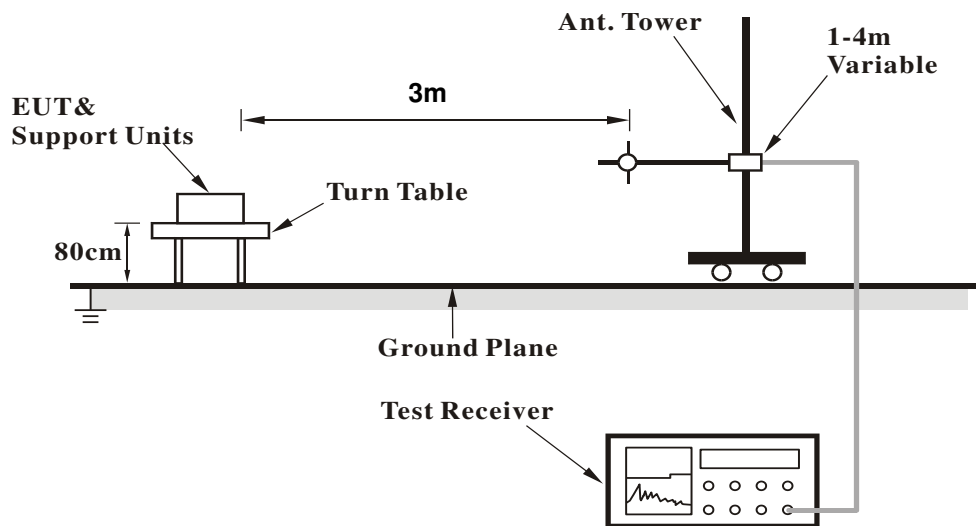
No deviation.

4.1.5 Test Set Up

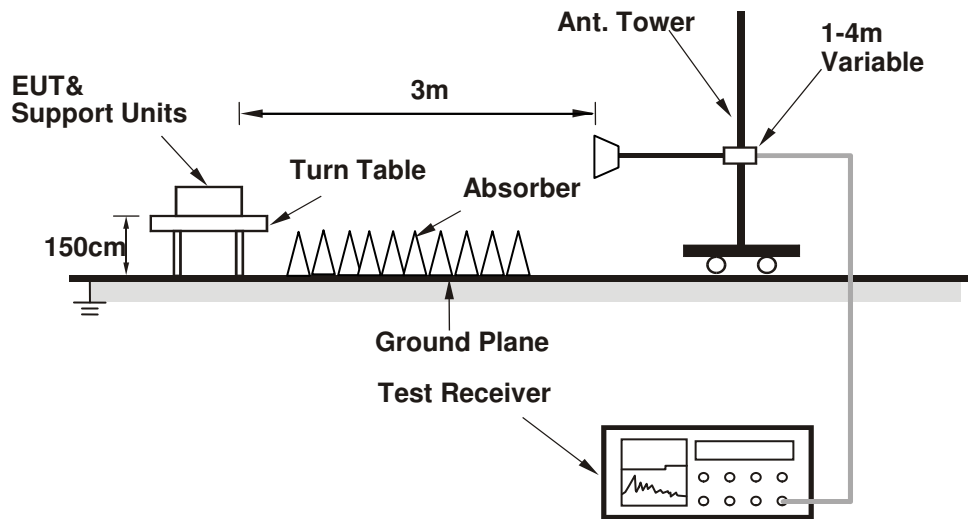
<Radiated emission below 30 MHz>



<Frequency Range below 1 GHz>



**<Frequency Range above 1 GHz>**



For the actual test configuration, please refer to the attached file (Test Setup Photo).

**4.1.6 EUT Operating Conditions**

- a. Placed the EUT on a testing table.
- b. Use the software to control the EUT under transmission condition continuously at specific channel frequency.

4.1.7 Test Results

Above 1 GHz Data :  
802.11b

| EUT Test Condition       |                    | Measurement Detail |                           |
|--------------------------|--------------------|--------------------|---------------------------|
| Channel                  | Channel 1          | Frequency Range    | 1 GHz ~ 25 GHz            |
| Input Power              | 120 Vac, 60 Hz     | Detector Function  | Peak (PK)<br>Average (AV) |
| Environmental Conditions | 25 deg. C, 65 % RH | Tested By          | Charles Hsiao             |

| Antennal Polarity & Test Distance: Horizontal at 3 m |                         |                   |                |             |                       |                 |                    |                     |                      |         |
|--|-------------------------|-------------------|----------------|-------------|-----------------------|-----------------|--------------------|---------------------|----------------------|---------|
| Frequency (MHz)                                      | Emission Level (dBuV/m) | Read Level (dBuV) | Limit (dBuV/m) | Margin (dB) | Antenna Factor (dB/m) | Cable Loss (dB) | Preamp Factor (dB) | Antenna Height (cm) | Table Angle (Degree) | Remark  |
| 2389.74  | 51.04                   | 49.33             | 54             | -2.96       | 31.8                  | 5.4             | 35.49              | 192                 | 301                  | Average |
| 2389.74  | 55.36                   | 53.65             | 74             | -18.64      | 31.8                  | 5.4             | 35.49              | 192                 | 301                  | Peak    |
| 2412   | 105.45                  | 103.68            |                |             | 31.81                 | 5.43            | 35.47              | 192                 | 301                  | Average |
| 2412   | 108.89                  | 107.12            |                |             | 31.81                 | 5.43            | 35.47              | 192                 | 301                  | Peak    |
| 4824   | 41.01                   | 32.88             | 54             | -12.99      | 33.97                 | 8.26            | 34.1               | 116                 | 185                  | Average |
| 4824   | 47.25                   | 39.12             | 74             | -26.75      | 33.97                 | 8.26            | 34.1               | 116                 | 185                  | Peak    |

| Antennal Polarity & Test Distance: Vertical at 3 m |                         |                   |                |             |                       |                 |                    |                     |                      |         |
|--|-------------------------|-------------------|----------------|-------------|-----------------------|-----------------|--------------------|---------------------|----------------------|---------|
| Frequency (MHz)                                    | Emission Level (dBuV/m) | Read Level (dBuV) | Limit (dBuV/m) | Margin (dB) | Antenna Factor (dB/m) | Cable Loss (dB) | Preamp Factor (dB) | Antenna Height (cm) | Table Angle (Degree) | Remark  |
| 2385.78  | 44.86                   | 43.15             | 54             | -9.14       | 31.8                  | 5.4             | 35.49              | 200                 | 291                  | Average |
| 2385.78  | 53.24                   | 51.53             | 74             | -20.76      | 31.8                  | 5.4             | 35.49              | 200                 | 291                  | Peak    |
| 2412   | 96.6                    | 94.83             |                |             | 31.81                 | 5.43            | 35.47              | 200                 | 291                  | Average |
| 2412   | 99.92                   | 98.15             |                |             | 31.81                 | 5.43            | 35.47              | 200                 | 291                  | Peak    |
| 4824   | 40.62                   | 32.49             | 54             | -13.38      | 33.97                 | 8.26            | 34.1               | 133                 | 326                  | Average |
| 4824   | 47.28                   | 39.15             | 74             | -26.72      | 33.97                 | 8.26            | 34.1               | 133                 | 326                  | Peak    |

Remarks:

- Emission Level = Read Level + Antenna Factor + Cable Loss - Preamp Factor  
Margin value = Emission level – Limit value
- 2412 MHz: Fundamental frequency.



| EUT Test Condition       |                    | Measurement Detail |                           |
|--------------------------|--------------------|--------------------|---------------------------|
| Channel                  | Channel 6          | Frequency Range    | 1 GHz ~ 25 GHz            |
| Input Power              | 120 Vac, 60 Hz     | Detector Function  | Peak (PK)<br>Average (AV) |
| Environmental Conditions | 25 deg. C, 65 % RH | Tested By          | Charles Hsiao             |

| Antennal Polarity & Test Distance: Horizontal at 3 m |                         |                   |                |             |                       |                 |                    |                     |                      |         |
|--|-------------------------|-------------------|----------------|-------------|-----------------------|-----------------|--------------------|---------------------|----------------------|---------|
| Frequency (MHz)                                      | Emission Level (dBuV/m) | Read Level (dBuV) | Limit (dBuV/m) | Margin (dB) | Antenna Factor (dB/m) | Cable Loss (dB) | Preamp Factor (dB) | Antenna Height (cm) | Table Angle (Degree) | Remark  |
| 2388.3   | 49.53                   | 47.82             | 54             | -4.47       | 31.8                  | 5.4             | 35.49              | 192                 | 301                  | Average |
| 2388.3   | 56.41                   | 54.7              | 74             | -17.59      | 31.8                  | 5.4             | 35.49              | 192                 | 301                  | Peak    |
| 2437   | 107.43                  | 105.58            |                |             | 31.85                 | 5.46            | 35.46              | 192                 | 301                  | Average |
| 2437   | 110.03                  | 108.18            |                |             | 31.85                 | 5.46            | 35.46              | 192                 | 301                  | Peak    |
| 2485.76  | 48.12                   | 46.13             | 54             | -5.88       | 31.88                 | 5.53            | 35.42              | 192                 | 301                  | Average |
| 2485.76  | 57.01                   | 55.02             | 74             | -16.99      | 31.88                 | 5.53            | 35.42              | 192                 | 301                  | Peak    |

| Antennal Polarity & Test Distance: Vertical at 3 m |                         |                   |                |             |                       |                 |                    |                     |                      |         |
|--|-------------------------|-------------------|----------------|-------------|-----------------------|-----------------|--------------------|---------------------|----------------------|---------|
| Frequency (MHz)                                    | Emission Level (dBuV/m) | Read Level (dBuV) | Limit (dBuV/m) | Margin (dB) | Antenna Factor (dB/m) | Cable Loss (dB) | Preamp Factor (dB) | Antenna Height (cm) | Table Angle (Degree) | Remark  |
| 2387.04  | 42.13                   | 40.42             | 54             | -11.87      | 31.8                  | 5.4             | 35.49              | 200                 | 291                  | Average |
| 2387.04  | 51.94                   | 50.23             | 74             | -22.06      | 31.8                  | 5.4             | 35.49              | 200                 | 291                  | Peak    |
| 2437   | 98.47                   | 96.62             |                |             | 31.85                 | 5.46            | 35.46              | 200                 | 291                  | Average |
| 2437   | 101.02                  | 99.17             |                |             | 31.85                 | 5.46            | 35.46              | 200                 | 291                  | Peak    |
| 2487.84  | 42.56                   | 40.55             | 54             | -11.44      | 31.9                  | 5.53            | 35.42              | 200                 | 291                  | Average |
| 2487.84  | 53.35                   | 51.34             | 74             | -20.65      | 31.9                  | 5.53            | 35.42              | 200                 | 291                  | Peak    |

Remarks:

- Emission Level = Read Level + Antenna Factor + Cable Loss - Preamp Factor  
Margin value = Emission level – Limit value
- 2437 MHz: Fundamental frequency.

| EUT Test Condition       |                    | Measurement Detail |                           |
|--------------------------|--------------------|--------------------|---------------------------|
| Channel                  | Channel 11         | Frequency Range    | 1 GHz ~ 25 GHz            |
| Input Power              | 120 Vac, 60 Hz     | Detector Function  | Peak (PK)<br>Average (AV) |
| Environmental Conditions | 25 deg. C, 65 % RH | Tested By          | Charles Hsiao             |

| Antennal Polarity & Test Distance: Horizontal at 3 m |                         |                   |                |             |                       |                 |                    |                     |                      |         |
|--|-------------------------|-------------------|----------------|-------------|-----------------------|-----------------|--------------------|---------------------|----------------------|---------|
| Frequency (MHz)                                      | Emission Level (dBuV/m) | Read Level (dBuV) | Limit (dBuV/m) | Margin (dB) | Antenna Factor (dB/m) | Cable Loss (dB) | Preamp Factor (dB) | Antenna Height (cm) | Table Angle (Degree) | Remark  |
| 2462   | 105.01                  | 103.08            |                |             | 31.87                 | 5.5             | 35.44              | 255                 | 69                   | Average |
| 2462   | 107.77                  | 105.84            |                |             | 31.87                 | 5.5             | 35.44              | 255                 | 69                   | Peak    |
| 2483.52  | 51.94                   | 49.98             | 54             | -2.06       | 31.88                 | 5.5             | 35.42              | 255                 | 69                   | Average |
| 2483.52  | 55.37                   | 53.41             | 74             | -18.63      | 31.88                 | 5.5             | 35.42              | 255                 | 69                   | Peak    |
| 4924   | 38.18                   | 29.93             | 54             | -15.82      | 33.99                 | 8.28            | 34.02              | 108                 | 75                   | Average |
| 4924   | 47.94                   | 39.69             | 74             | -26.06      | 33.99                 | 8.28            | 34.02              | 108                 | 75                   | Peak    |

| Antennal Polarity & Test Distance: Vertical at 3 m |                         |                   |                |             |                       |                 |                    |                     |                      |         |
|--|-------------------------|-------------------|----------------|-------------|-----------------------|-----------------|--------------------|---------------------|----------------------|---------|
| Frequency (MHz)                                    | Emission Level (dBuV/m) | Read Level (dBuV) | Limit (dBuV/m) | Margin (dB) | Antenna Factor (dB/m) | Cable Loss (dB) | Preamp Factor (dB) | Antenna Height (cm) | Table Angle (Degree) | Remark  |
| 2462   | 96.44                   | 94.51             |                |             | 31.87                 | 5.5             | 35.44              | 233                 | 89                   | Average |
| 2462   | 99.49                   | 97.56             |                |             | 31.87                 | 5.5             | 35.44              | 233                 | 89                   | Peak    |
| 2483.64  | 44.12                   | 42.16             | 54             | -9.88       | 31.88                 | 5.5             | 35.42              | 233                 | 89                   | Average |
| 2483.64  | 54.08                   | 52.12             | 74             | -19.92      | 31.88                 | 5.5             | 35.42              | 233                 | 89                   | Peak    |
| 4924   | 38.27                   | 30.02             | 54             | -15.73      | 33.99                 | 8.28            | 34.02              | 139                 | 181                  | Average |
| 4924   | 48.18                   | 39.93             | 74             | -25.82      | 33.99                 | 8.28            | 34.02              | 139                 | 181                  | Peak    |

Remarks:

- Emission Level = Read Level + Antenna Factor + Cable Loss - Preamp Factor  
Margin value = Emission level – Limit value
- 2462 MHz: Fundamental frequency.

| EUT Test Condition       |                    | Measurement Detail |                           |
|--------------------------|--------------------|--------------------|---------------------------|
| Channel                  | Channel 12         | Frequency Range    | 1 GHz ~ 25 GHz            |
| Input Power              | 120 Vac, 60 Hz     | Detector Function  | Peak (PK)<br>Average (AV) |
| Environmental Conditions | 25 deg. C, 65 % RH | Tested By          | Charles Hsiao             |

| Antennal Polarity & Test Distance: Horizontal at 3 m |                         |                   |                |             |                       |                 |                    |                     |                      |         |
|--|-------------------------|-------------------|----------------|-------------|-----------------------|-----------------|--------------------|---------------------|----------------------|---------|
| Frequency (MHz)                                      | Emission Level (dBuV/m) | Read Level (dBuV) | Limit (dBuV/m) | Margin (dB) | Antenna Factor (dB/m) | Cable Loss (dB) | Preamp Factor (dB) | Antenna Height (cm) | Table Angle (Degree) | Remark  |
| 2467   | 103.57                  | 101.62            |                |             | 31.87                 | 5.5             | 35.42              | 237                 | 65                   | Average |
| 2467   | 106.53                  | 104.58            |                |             | 31.87                 | 5.5             | 35.42              | 237                 | 65                   | Peak    |
| 2484.08  | 52.46                   | 50.5              | 54             | -1.54       | 31.88                 | 5.5             | 35.42              | 237                 | 65                   | Average |
| 2484.08  | 64.91                   | 62.95             | 74             | -9.09       | 31.88                 | 5.5             | 35.42              | 237                 | 65                   | Peak    |
| 4934   | 38.66                   | 30.4              | 54             | -15.34      | 33.99                 | 8.29            | 34.02              | 107                 | 75                   | Average |
| 4934   | 48.32                   | 40.06             | 74             | -25.68      | 33.99                 | 8.29            | 34.02              | 107                 | 75                   | Peak    |

| Antennal Polarity & Test Distance: Vertical at 3 m |                         |                   |                |             |                       |                 |                    |                     |                      |         |
|--|-------------------------|-------------------|----------------|-------------|-----------------------|-----------------|--------------------|---------------------|----------------------|---------|
| Frequency (MHz)                                    | Emission Level (dBuV/m) | Read Level (dBuV) | Limit (dBuV/m) | Margin (dB) | Antenna Factor (dB/m) | Cable Loss (dB) | Preamp Factor (dB) | Antenna Height (cm) | Table Angle (Degree) | Remark  |
| 2467   | 97.82                   | 95.87             |                |             | 31.87                 | 5.5             | 35.42              | 158                 | 133                  | Average |
| 2467   | 101                     | 99.05             |                |             | 31.87                 | 5.5             | 35.42              | 158                 | 133                  | Peak    |
| 2484.4   | 44.66                   | 42.67             | 54             | -9.34       | 31.88                 | 5.53            | 35.42              | 158                 | 133                  | Average |
| 2484.4   | 55.37                   | 53.38             | 74             | -18.63      | 31.88                 | 5.53            | 35.42              | 158                 | 133                  | Peak    |
| 4934   | 38.71                   | 30.45             | 54             | -15.29      | 33.99                 | 8.29            | 34.02              | 153                 | 188                  | Average |
| 4934   | 48.53                   | 40.27             | 74             | -25.47      | 33.99                 | 8.29            | 34.02              | 153                 | 188                  | Peak    |

Remarks:

1. Emission Level = Read Level + Antenna Factor + Cable Loss - Preamp Factor  
Margin value = Emission level – Limit value
2. 2467 MHz: Fundamental frequency.

| EUT Test Condition       |                    | Measurement Detail |                           |
|--------------------------|--------------------|--------------------|---------------------------|
| Channel                  | Channel 13         | Frequency Range    | 1 GHz ~ 25 GHz            |
| Input Power              | 120 Vac, 60 Hz     | Detector Function  | Peak (PK)<br>Average (AV) |
| Environmental Conditions | 25 deg. C, 65 % RH | Tested By          | Charles Hsiao             |

| Antennal Polarity & Test Distance: Horizontal at 3 m |                         |                   |                |             |                       |                 |                    |                     |                      |         |
|--|-------------------------|-------------------|----------------|-------------|-----------------------|-----------------|--------------------|---------------------|----------------------|---------|
| Frequency (MHz)                                      | Emission Level (dBuV/m) | Read Level (dBuV) | Limit (dBuV/m) | Margin (dB) | Antenna Factor (dB/m) | Cable Loss (dB) | Preamp Factor (dB) | Antenna Height (cm) | Table Angle (Degree) | Remark  |
| 2472   | 96.09                   | 94.13             |                |             | 31.88                 | 5.5             | 35.42              | 240                 | 68                   | Average |
| 2472   | 98.97                   | 97.01             |                |             | 31.88                 | 5.5             | 35.42              | 240                 | 68                   | Peak    |
| 2484.64  | 52.98                   | 50.99             | 54             | -1.02       | 31.88                 | 5.53            | 35.42              | 240                 | 68                   | Average |
| 2484.64  | 57.94                   | 55.95             | 74             | -16.06      | 31.88                 | 5.53            | 35.42              | 240                 | 68                   | Peak    |
| 4944   | 38.42                   | 30.15             | 54             | -15.58      | 33.99                 | 8.29            | 34.01              | 164                 | 136                  | Average |
| 4944   | 48.51                   | 40.24             | 74             | -25.49      | 33.99                 | 8.29            | 34.01              | 164                 | 136                  | Peak    |
| Antennal Polarity & Test Distance: Vertical at 3 m   |                         |                   |                |             |                       |                 |                    |                     |                      |         |
| Frequency (MHz)                                      | Emission Level (dBuV/m) | Read Level (dBuV) | Limit (dBuV/m) | Margin (dB) | Antenna Factor (dB/m) | Cable Loss (dB) | Preamp Factor (dB) | Antenna Height (cm) | Table Angle (Degree) | Remark  |
| 2472   | 90.59                   | 88.63             |                |             | 31.88                 | 5.5             | 35.42              | 158                 | 133                  | Average |
| 2472   | 93.3                    | 91.34             |                |             | 31.88                 | 5.5             | 35.42              | 158                 | 133                  | Peak    |
| 2484.64  | 46.8                    | 44.81             | 54             | -7.2        | 31.88                 | 5.53            | 35.42              | 158                 | 133                  | Average |
| 2484.64  | 54.61                   | 52.62             | 74             | -19.39      | 31.88                 | 5.53            | 35.42              | 158                 | 133                  | Peak    |
| 4944   | 38.54                   | 30.27             | 54             | -15.46      | 33.99                 | 8.29            | 34.01              | 174                 | 223                  | Average |
| 4944   | 48.02                   | 39.75             | 74             | -25.98      | 33.99                 | 8.29            | 34.01              | 174                 | 223                  | Peak    |

Remarks:

1. Emission Level = Read Level + Antenna Factor + Cable Loss - Preamp Factor  
Margin value = Emission level – Limit value
2. 2472 MHz: Fundamental frequency.

## 802.11g

| EUT Test Condition       |                    | Measurement Detail |                           |
|--------------------------|--------------------|--------------------|---------------------------|
| Channel                  | Channel 1          | Frequency Range    | 1 GHz ~ 25 GHz            |
| Input Power              | 120 Vac, 60 Hz     | Detector Function  | Peak (PK)<br>Average (AV) |
| Environmental Conditions | 25 deg. C, 65 % RH | Tested By          | Charles Hsiao             |

**Antennal Polarity & Test Distance: Horizontal at 3 m**

| Frequency (MHz) | Emission Level (dBuV/m) | Read Level (dBuV) | Limit (dBuV/m) | Margin (dB) | Antenna Factor (dB/m) | Cable Loss (dB) | Preamp Factor (dB) | Antenna Height (cm) | Table Angle (Degree) | Remark  |
|-----------------|-------------------------|-------------------|----------------|-------------|-----------------------|-----------------|--------------------|---------------------|----------------------|---------|
| 2389.92         | 52.41                   | 50.68             | 54             | -1.59       | 31.8                  | 5.4             | 35.47              | 192                 | 301                  | Average |
| 2389.92         | 65.73                   | 64                | 74             | -8.27       | 31.8                  | 5.4             | 35.47              | 192                 | 301                  | Peak    |
| 2412            | 101.29                  | 99.52             |                |             | 31.81                 | 5.43            | 35.47              | 192                 | 301                  | Average |
| 2412            | 109.53                  | 107.76            |                |             | 31.81                 | 5.43            | 35.47              | 192                 | 301                  | Peak    |
| 4824            | 41.25                   | 33.12             | 54             | -12.75      | 33.97                 | 8.26            | 34.1               | 159                 | 226                  | Average |
| 4824            | 47.82                   | 39.69             | 74             | -26.18      | 33.97                 | 8.26            | 34.1               | 159                 | 226                  | Peak    |

**Antennal Polarity & Test Distance: Vertical at 3 m**

| Frequency (MHz) | Emission Level (dBuV/m) | Read Level (dBuV) | Limit (dBuV/m) | Margin (dB) | Antenna Factor (dB/m) | Cable Loss (dB) | Preamp Factor (dB) | Antenna Height (cm) | Table Angle (Degree) | Remark  |
|-----------------|-------------------------|-------------------|----------------|-------------|-----------------------|-----------------|--------------------|---------------------|----------------------|---------|
| 2389.56         | 43.82                   | 42.11             | 54             | -10.18      | 31.8                  | 5.4             | 35.49              | 200                 | 291                  | Average |
| 2389.56         | 56.79                   | 55.08             | 74             | -17.21      | 31.8                  | 5.4             | 35.49              | 200                 | 291                  | Peak    |
| 2412            | 92.22                   | 90.45             |                |             | 31.81                 | 5.43            | 35.47              | 200                 | 291                  | Average |
| 2412            | 100.27                  | 98.5              |                |             | 31.81                 | 5.43            | 35.47              | 200                 | 291                  | Peak    |
| 4824            | 41.24                   | 33.11             | 54             | -12.76      | 33.97                 | 8.26            | 34.1               | 158                 | 155                  | Average |
| 4824            | 47.66                   | 39.53             | 74             | -26.34      | 33.97                 | 8.26            | 34.1               | 158                 | 155                  | Peak    |

## Remarks:

- Emission Level = Read Level + Antenna Factor + Cable Loss - Preamp Factor  
Margin value = Emission level – Limit value
- 2412 MHz: Fundamental frequency.

| EUT Test Condition       |                    | Measurement Detail |                           |
|--------------------------|--------------------|--------------------|---------------------------|
| Channel                  | Channel 6          | Frequency Range    | 1 GHz ~ 25 GHz            |
| Input Power              | 120 Vac, 60 Hz     | Detector Function  | Peak (PK)<br>Average (AV) |
| Environmental Conditions | 25 deg. C, 65 % RH | Tested By          | Charles Hsiao             |

| Antennal Polarity & Test Distance: Horizontal at 3 m |                         |                   |                |             |                       |                 |                    |                     |                      |         |
|--|-------------------------|-------------------|----------------|-------------|-----------------------|-----------------|--------------------|---------------------|----------------------|---------|
| Frequency (MHz)                                      | Emission Level (dBuV/m) | Read Level (dBuV) | Limit (dBuV/m) | Margin (dB) | Antenna Factor (dB/m) | Cable Loss (dB) | Preamp Factor (dB) | Antenna Height (cm) | Table Angle (Degree) | Remark  |
| 2389.92  | 48.23                   | 46.5              | 54             | -5.77       | 31.8                  | 5.4             | 35.47              | 192                 | 301                  | Average |
| 2389.92  | 58.99                   | 57.26             | 74             | -15.01      | 31.8                  | 5.4             | 35.47              | 192                 | 301                  | Peak    |
| 2437   | 103.25                  | 101.4             |                |             | 31.85                 | 5.46            | 35.46              | 192                 | 301                  | Average |
| 2437   | 111.13                  | 109.28            |                |             | 31.85                 | 5.46            | 35.46              | 192                 | 301                  | Peak    |
| 2483.76  | 48.89                   | 46.93             | 54             | -5.11       | 31.88                 | 5.5             | 35.42              | 192                 | 301                  | Average |
| 2483.76  | 64.57                   | 62.61             | 74             | -9.43       | 31.88                 | 5.5             | 35.42              | 192                 | 301                  | Peak    |
| Antennal Polarity & Test Distance: Vertical at 3 m   |                         |                   |                |             |                       |                 |                    |                     |                      |         |
| Frequency (MHz)                                      | Emission Level (dBuV/m) | Read Level (dBuV) | Limit (dBuV/m) | Margin (dB) | Antenna Factor (dB/m) | Cable Loss (dB) | Preamp Factor (dB) | Antenna Height (cm) | Table Angle (Degree) | Remark  |
| 2389.56  | 42.14                   | 40.43             | 54             | -11.86      | 31.8                  | 5.4             | 35.49              | 200                 | 291                  | Average |
| 2389.56  | 52.63                   | 50.92             | 74             | -21.37      | 31.8                  | 5.4             | 35.49              | 200                 | 291                  | Peak    |
| 2437   | 94.55                   | 92.7              |                |             | 31.85                 | 5.46            | 35.46              | 200                 | 291                  | Average |
| 2437   | 102.37                  | 100.52            |                |             | 31.85                 | 5.46            | 35.46              | 200                 | 291                  | Peak    |
| 2484.72  | 42.34                   | 40.35             | 54             | -11.66      | 31.88                 | 5.53            | 35.42              | 200                 | 291                  | Average |
| 2484.72  | 53.62                   | 51.63             | 74             | -20.38      | 31.88                 | 5.53            | 35.42              | 200                 | 291                  | Peak    |

Remarks:

- Emission Level = Read Level + Antenna Factor + Cable Loss - Preamp Factor  
Margin value = Emission level – Limit value
- 2437 MHz: Fundamental frequency.

| EUT Test Condition       |                    | Measurement Detail |                           |
|--------------------------|--------------------|--------------------|---------------------------|
| Channel                  | Channel 11         | Frequency Range    | 1 GHz ~ 25 GHz            |
| Input Power              | 120 Vac, 60 Hz     | Detector Function  | Peak (PK)<br>Average (AV) |
| Environmental Conditions | 25 deg. C, 65 % RH | Tested By          | Charles Hsiao             |

| Antennal Polarity & Test Distance: Horizontal at 3 m |                         |                   |                |             |                       |                 |                    |                     |                      |         |
|--|-------------------------|-------------------|----------------|-------------|-----------------------|-----------------|--------------------|---------------------|----------------------|---------|
| Frequency (MHz)                                      | Emission Level (dBuV/m) | Read Level (dBuV) | Limit (dBuV/m) | Margin (dB) | Antenna Factor (dB/m) | Cable Loss (dB) | Preamp Factor (dB) | Antenna Height (cm) | Table Angle (Degree) | Remark  |
| 2462   | 100.36                  | 98.43             |                |             | 31.87                 | 5.5             | 35.44              | 192                 | 301                  | Average |
| 2462   | 108.09                  | 106.16            |                |             | 31.87                 | 5.5             | 35.44              | 192                 | 301                  | Peak    |
| 2483.68  | 52.41                   | 50.45             | 54             | -1.59       | 31.88                 | 5.5             | 35.42              | 192                 | 301                  | Average |
| 2483.68  | 65.19                   | 63.23             | 74             | -8.81       | 31.88                 | 5.5             | 35.42              | 192                 | 301                  | Peak    |
| 4924   | 41.09                   | 32.84             | 54             | -12.91      | 33.99                 | 8.28            | 34.02              | 134                 | 44                   | Average |
| 4924   | 47.23                   | 38.98             | 74             | -26.77      | 33.99                 | 8.28            | 34.02              | 134                 | 44                   | Peak    |

| Antennal Polarity & Test Distance: Vertical at 3 m |                         |                   |                |             |                       |                 |                    |                     |                      |         |
|--|-------------------------|-------------------|----------------|-------------|-----------------------|-----------------|--------------------|---------------------|----------------------|---------|
| Frequency (MHz)                                    | Emission Level (dBuV/m) | Read Level (dBuV) | Limit (dBuV/m) | Margin (dB) | Antenna Factor (dB/m) | Cable Loss (dB) | Preamp Factor (dB) | Antenna Height (cm) | Table Angle (Degree) | Remark  |
| 2462   | 91.4                    | 89.47             |                |             | 31.87                 | 5.5             | 35.44              | 200                 | 291                  | Average |
| 2462   | 99.1                    | 97.17             |                |             | 31.87                 | 5.5             | 35.44              | 200                 | 291                  | Peak    |
| 2483.72  | 43.21                   | 41.25             | 54             | -10.79      | 31.88                 | 5.5             | 35.42              | 200                 | 291                  | Average |
| 2483.72  | 55.67                   | 53.71             | 74             | -18.33      | 31.88                 | 5.5             | 35.42              | 200                 | 291                  | Peak    |
| 4924   | 41.27                   | 33.02             | 54             | -12.73      | 33.99                 | 8.28            | 34.02              | 125                 | 22                   | Average |
| 4924   | 47.64                   | 39.39             | 74             | -26.36      | 33.99                 | 8.28            | 34.02              | 125                 | 22                   | Peak    |

Remarks:

- Emission Level = Read Level + Antenna Factor + Cable Loss - Preamp Factor  
Margin value = Emission level – Limit value
- 2462 MHz: Fundamental frequency.

| EUT Test Condition       |                    | Measurement Detail |                           |
|--------------------------|--------------------|--------------------|---------------------------|
| Channel                  | Channel 12         | Frequency Range    | 1 GHz ~ 25 GHz            |
| Input Power              | 120 Vac, 60 Hz     | Detector Function  | Peak (PK)<br>Average (AV) |
| Environmental Conditions | 25 deg. C, 65 % RH | Tested By          | Charles Hsiao             |

| Antennal Polarity & Test Distance: Horizontal at 3 m |                         |                   |                |             |                       |                 |                    |                     |                      |         |
|--|-------------------------|-------------------|----------------|-------------|-----------------------|-----------------|--------------------|---------------------|----------------------|---------|
| Frequency (MHz)                                      | Emission Level (dBuV/m) | Read Level (dBuV) | Limit (dBuV/m) | Margin (dB) | Antenna Factor (dB/m) | Cable Loss (dB) | Preamp Factor (dB) | Antenna Height (cm) | Table Angle (Degree) | Remark  |
| 2467   | 97.88                   | 95.93             |                |             | 31.87                 | 5.5             | 35.42              | 237                 | 68                   | Average |
| 2467   | 106.07                  | 104.12            |                |             | 31.87                 | 5.5             | 35.42              | 237                 | 68                   | Peak    |
| 2483.52  | 52.26                   | 50.3              | 54             | -1.74       | 31.88                 | 5.5             | 35.42              | 237                 | 68                   | Average |
| 2483.52  | 68.66                   | 66.7              | 74             | -5.34       | 31.88                 | 5.5             | 35.42              | 237                 | 68                   | Peak    |
| 4934   | 38.36                   | 30.1              | 54             | -15.64      | 33.99                 | 8.29            | 34.02              | 141                 | 103                  | Average |
| 4934   | 48.28                   | 40.02             | 74             | -25.72      | 33.99                 | 8.29            | 34.02              | 141                 | 103                  | Peak    |

| Antennal Polarity & Test Distance: Vertical at 3 m |                         |                   |                |             |                       |                 |                    |                     |                      |         |
|--|-------------------------|-------------------|----------------|-------------|-----------------------|-----------------|--------------------|---------------------|----------------------|---------|
| Frequency (MHz)                                    | Emission Level (dBuV/m) | Read Level (dBuV) | Limit (dBuV/m) | Margin (dB) | Antenna Factor (dB/m) | Cable Loss (dB) | Preamp Factor (dB) | Antenna Height (cm) | Table Angle (Degree) | Remark  |
| 2467   | 92.06                   | 90.11             |                |             | 31.87                 | 5.5             | 35.42              | 158                 | 133                  | Average |
| 2467   | 100.08                  | 98.13             |                |             | 31.87                 | 5.5             | 35.42              | 158                 | 133                  | Peak    |
| 2483.52  | 46.9                    | 44.94             | 54             | -7.1        | 31.88                 | 5.5             | 35.42              | 158                 | 133                  | Average |
| 2483.52  | 61.49                   | 59.53             | 74             | -12.51      | 31.88                 | 5.5             | 35.42              | 158                 | 133                  | Peak    |
| 4934   | 38.49                   | 30.23             | 54             | -15.51      | 33.99                 | 8.29            | 34.02              | 156                 | 214                  | Average |
| 4934   | 48.32                   | 40.06             | 74             | -25.68      | 33.99                 | 8.29            | 34.02              | 156                 | 214                  | Peak    |

Remarks:

1. Emission Level = Read Level + Antenna Factor + Cable Loss - Preamp Factor  
Margin value = Emission level – Limit value
2. 2467 MHz: Fundamental frequency.



| EUT Test Condition       |                    | Measurement Detail |                           |
|--------------------------|--------------------|--------------------|---------------------------|
| Channel                  | Channel 13         | Frequency Range    | 1 GHz ~ 25 GHz            |
| Input Power              | 120 Vac, 60 Hz     | Detector Function  | Peak (PK)<br>Average (AV) |
| Environmental Conditions | 25 deg. C, 65 % RH | Tested By          | Charles Hsiao             |

| Antennal Polarity & Test Distance: Horizontal at 3 m |                         |                   |                |             |                       |                 |                    |                     |                      |         |
|--|-------------------------|-------------------|----------------|-------------|-----------------------|-----------------|--------------------|---------------------|----------------------|---------|
| Frequency (MHz)                                      | Emission Level (dBuV/m) | Read Level (dBuV) | Limit (dBuV/m) | Margin (dB) | Antenna Factor (dB/m) | Cable Loss (dB) | Preamp Factor (dB) | Antenna Height (cm) | Table Angle (Degree) | Remark  |
| 2472   | 77.74                   | 75.78             |                |             | 31.88                 | 5.5             | 35.42              | 295                 | 68                   | Average |
| 2472   | 85.92                   | 83.96             |                |             | 31.88                 | 5.5             | 35.42              | 295                 | 68                   | Peak    |
| 2483.52  | 51.82                   | 49.86             | 54             | -2.18       | 31.88                 | 5.5             | 35.42              | 295                 | 68                   | Average |
| 2483.52  | 64.81                   | 62.85             | 74             | -9.19       | 31.88                 | 5.5             | 35.42              | 295                 | 68                   | Peak    |
| 4944   | 38.21                   | 29.94             | 54             | -15.79      | 33.99                 | 8.29            | 34.01              | 195                 | 226                  | Average |
| 4944   | 48.17                   | 39.9              | 74             | -25.83      | 33.99                 | 8.29            | 34.01              | 195                 | 226                  | Peak    |

| Antennal Polarity & Test Distance: Vertical at 3 m |                         |                   |                |             |                       |                 |                    |                     |                      |         |
|--|-------------------------|-------------------|----------------|-------------|-----------------------|-----------------|--------------------|---------------------|----------------------|---------|
| Frequency (MHz)                                    | Emission Level (dBuV/m) | Read Level (dBuV) | Limit (dBuV/m) | Margin (dB) | Antenna Factor (dB/m) | Cable Loss (dB) | Preamp Factor (dB) | Antenna Height (cm) | Table Angle (Degree) | Remark  |
| 2472   | 72.06                   | 70.1              |                |             | 31.88                 | 5.5             | 35.42              | 158                 | 133                  | Average |
| 2472   | 80.53                   | 78.57             |                |             | 31.88                 | 5.5             | 35.42              | 158                 | 133                  | Peak    |
| 2483.56  | 44.19                   | 42.23             | 54             | -9.81       | 31.88                 | 5.5             | 35.42              | 158                 | 133                  | Average |
| 2483.56  | 56.93                   | 54.97             | 74             | -17.07      | 31.88                 | 5.5             | 35.42              | 158                 | 133                  | Peak    |
| 4944   | 37.56                   | 29.29             | 54             | -16.44      | 33.99                 | 8.29            | 34.01              | 126                 | 118                  | Average |
| 4944   | 47.36                   | 39.09             | 74             | -26.64      | 33.99                 | 8.29            | 34.01              | 126                 | 118                  | Peak    |

Remarks:

1. Emission Level = Read Level + Antenna Factor + Cable Loss - Preamp Factor  
Margin value = Emission level – Limit value
2. 2472 MHz: Fundamental frequency.

802.11n (HT20)

| EUT Test Condition       |                    | Measurement Detail |                           |
|--------------------------|--------------------|--------------------|---------------------------|
| Channel                  | Channel 1          | Frequency Range    | 1 GHz ~ 25 GHz            |
| Input Power              | 120 Vac, 60 Hz     | Detector Function  | Peak (PK)<br>Average (AV) |
| Environmental Conditions | 25 deg. C, 65 % RH | Tested By          | Charles Hsiao             |

**Antennal Polarity & Test Distance: Horizontal at 3 m**

| Frequency (MHz) | Emission Level (dBuV/m) | Read Level (dBuV) | Limit (dBuV/m) | Margin (dB) | Antenna Factor (dB/m) | Cable Loss (dB) | Preamp Factor (dB) | Antenna Height (cm) | Table Angle (Degree) | Remark  |
|-----------------|-------------------------|-------------------|----------------|-------------|-----------------------|-----------------|--------------------|---------------------|----------------------|---------|
| 2389.83         | 42                      | 40.27             | 54             | -12         | 31.8                  | 5.4             | 35.47              | 195                 | 33                   | Average |
| 2389.83         | 53.56                   | 51.83             | 74             | -20.44      | 31.8                  | 5.4             | 35.47              | 195                 | 33                   | Peak    |
| 2412            | 99.43                   | 97.66             |                |             | 31.81                 | 5.43            | 35.47              | 206                 | 33                   | Average |
| 2412            | 108.64                  | 106.87            |                |             | 31.81                 | 5.43            | 35.47              | 206                 | 33                   | Peak    |
| 4824            | 38.62                   | 30.49             | 54             | -15.38      | 33.97                 | 8.26            | 34.1               | 162                 | 248                  | Average |
| 4824            | 48.53                   | 40.4              | 74             | -25.47      | 33.97                 | 8.26            | 34.1               | 162                 | 248                  | Peak    |

**Antennal Polarity & Test Distance: Vertical at 3 m**

| Frequency (MHz) | Emission Level (dBuV/m) | Read Level (dBuV) | Limit (dBuV/m) | Margin (dB) | Antenna Factor (dB/m) | Cable Loss (dB) | Preamp Factor (dB) | Antenna Height (cm) | Table Angle (Degree) | Remark  |
|-----------------|-------------------------|-------------------|----------------|-------------|-----------------------|-----------------|--------------------|---------------------|----------------------|---------|
| 2389.92         | 40.96                   | 39.23             | 54             | -13.04      | 31.8                  | 5.4             | 35.47              | 112                 | 63                   | Average |
| 2389.92         | 52.36                   | 50.63             | 74             | -21.64      | 31.8                  | 5.4             | 35.47              | 112                 | 63                   | Peak    |
| 2412            | 93.99                   | 92.22             |                |             | 31.81                 | 5.43            | 35.47              | 112                 | 63                   | Average |
| 2412            | 102.19                  | 100.42            |                |             | 31.81                 | 5.43            | 35.47              | 112                 | 63                   | Peak    |
| 4824            | 38.25                   | 30.12             | 54             | -15.75      | 33.97                 | 8.26            | 34.1               | 190                 | 157                  | Average |
| 4824            | 48                      | 39.87             | 74             | -26         | 33.97                 | 8.26            | 34.1               | 190                 | 157                  | Peak    |

Remarks:

- Emission Level = Read Level + Antenna Factor + Cable Loss - Preamp Factor  
Margin value = Emission level – Limit value
- 2412 MHz: Fundamental frequency.

| EUT Test Condition       |                    | Measurement Detail |                           |
|--------------------------|--------------------|--------------------|---------------------------|
| Channel                  | Channel 6          | Frequency Range    | 1 GHz ~ 25 GHz            |
| Input Power              | 120 Vac, 60 Hz     | Detector Function  | Peak (PK)<br>Average (AV) |
| Environmental Conditions | 25 deg. C, 65 % RH | Tested By          | Charles Hsiao             |

| Antennal Polarity & Test Distance: Horizontal at 3 m |                         |                   |                |             |                       |                 |                    |                     |                      |         |
|--|-------------------------|-------------------|----------------|-------------|-----------------------|-----------------|--------------------|---------------------|----------------------|---------|
| Frequency (MHz)                                      | Emission Level (dBuV/m) | Read Level (dBuV) | Limit (dBuV/m) | Margin (dB) | Antenna Factor (dB/m) | Cable Loss (dB) | Preamp Factor (dB) | Antenna Height (cm) | Table Angle (Degree) | Remark  |
| 2389.65  | 44.96                   | 43.25             | 54             | -9.04       | 31.8                  | 5.4             | 35.49              | 199                 | 296                  | Average |
| 2389.65  | 55.96                   | 54.25             | 74             | -18.04      | 31.8                  | 5.4             | 35.49              | 199                 | 296                  | Peak    |
| 2437   | 103.28                  | 101.43            |                |             | 31.85                 | 5.46            | 35.46              | 199                 | 296                  | Average |
| 2437   | 111.25                  | 109.4             |                |             | 31.85                 | 5.46            | 35.46              | 199                 | 296                  | Peak    |
| 2483.52  | 44.31                   | 42.35             | 54             | -9.69       | 31.88                 | 5.5             | 35.42              | 199                 | 296                  | Average |
| 2483.52  | 55.59                   | 53.63             | 74             | -18.41      | 31.88                 | 5.5             | 35.42              | 199                 | 296                  | Peak    |

| Antennal Polarity & Test Distance: Vertical at 3 m |                         |                   |                |             |                       |                 |                    |                     |                      |         |
|--|-------------------------|-------------------|----------------|-------------|-----------------------|-----------------|--------------------|---------------------|----------------------|---------|
| Frequency (MHz)                                    | Emission Level (dBuV/m) | Read Level (dBuV) | Limit (dBuV/m) | Margin (dB) | Antenna Factor (dB/m) | Cable Loss (dB) | Preamp Factor (dB) | Antenna Height (cm) | Table Angle (Degree) | Remark  |
| 2387.67  | 40.92                   | 39.21             | 54             | -13.08      | 31.8                  | 5.4             | 35.49              | 200                 | 290                  | Average |
| 2387.67  | 52.01                   | 50.3              | 74             | -21.99      | 31.8                  | 5.4             | 35.49              | 200                 | 290                  | Peak    |
| 2437   | 94.19                   | 92.34             |                |             | 31.85                 | 5.46            | 35.46              | 200                 | 290                  | Average |
| 2437   | 102.05                  | 100.2             |                |             | 31.85                 | 5.46            | 35.46              | 200                 | 290                  | Peak    |
| 2483.68  | 41.43                   | 39.47             | 54             | -12.57      | 31.88                 | 5.5             | 35.42              | 200                 | 290                  | Average |
| 2483.68  | 52.49                   | 50.53             | 74             | -21.51      | 31.88                 | 5.5             | 35.42              | 200                 | 290                  | Peak    |

Remarks:

- Emission Level = Read Level + Antenna Factor + Cable Loss - Preamp Factor  
Margin value = Emission level – Limit value
- 2437 MHz: Fundamental frequency.

| EUT Test Condition       |                    | Measurement Detail |                           |
|--------------------------|--------------------|--------------------|---------------------------|
| Channel                  | Channel 11         | Frequency Range    | 1 GHz ~ 25 GHz            |
| Input Power              | 120 Vac, 60 Hz     | Detector Function  | Peak (PK)<br>Average (AV) |
| Environmental Conditions | 25 deg. C, 65 % RH | Tested By          | Charles Hsiao             |

| Antennal Polarity & Test Distance: Horizontal at 3 m |                         |                   |                |             |                       |                 |                    |                     |                      |         |
|--|-------------------------|-------------------|----------------|-------------|-----------------------|-----------------|--------------------|---------------------|----------------------|---------|
| Frequency (MHz)                                      | Emission Level (dBuV/m) | Read Level (dBuV) | Limit (dBuV/m) | Margin (dB) | Antenna Factor (dB/m) | Cable Loss (dB) | Preamp Factor (dB) | Antenna Height (cm) | Table Angle (Degree) | Remark  |
| 2462   | 100.66                  | 98.73             |                |             | 31.87                 | 5.5             | 35.44              | 199                 | 296                  | Average |
| 2462   | 108.25                  | 106.32            |                |             | 31.87                 | 5.5             | 35.44              | 199                 | 296                  | Peak    |
| 2483.6   | 46.03                   | 44.07             | 54             | -7.97       | 31.88                 | 5.5             | 35.42              | 199                 | 296                  | Average |
| 2483.6   | 57.74                   | 55.78             | 74             | -16.26      | 31.88                 | 5.5             | 35.42              | 199                 | 296                  | Peak    |
| 4924   | 41.13                   | 32.88             | 54             | -12.87      | 33.99                 | 8.28            | 34.02              | 177                 | 188                  | Average |
| 4924   | 48.09                   | 39.84             | 74             | -25.91      | 33.99                 | 8.28            | 34.02              | 177                 | 188                  | Peak    |

| Antennal Polarity & Test Distance: Vertical at 3 m |                         |                   |                |             |                       |                 |                    |                     |                      |         |
|--|-------------------------|-------------------|----------------|-------------|-----------------------|-----------------|--------------------|---------------------|----------------------|---------|
| Frequency (MHz)                                    | Emission Level (dBuV/m) | Read Level (dBuV) | Limit (dBuV/m) | Margin (dB) | Antenna Factor (dB/m) | Cable Loss (dB) | Preamp Factor (dB) | Antenna Height (cm) | Table Angle (Degree) | Remark  |
| 2462   | 91.77                   | 89.84             |                |             | 31.87                 | 5.5             | 35.44              | 200                 | 290                  | Average |
| 2462   | 99.97                   | 98.04             |                |             | 31.87                 | 5.5             | 35.44              | 200                 | 290                  | Peak    |
| 2483.52  | 41.95                   | 39.99             | 54             | -12.05      | 31.88                 | 5.5             | 35.42              | 200                 | 290                  | Average |
| 2483.52  | 52.89                   | 50.93             | 74             | -21.11      | 31.88                 | 5.5             | 35.42              | 200                 | 290                  | Peak    |
| 4924   | 41.49                   | 33.24             | 54             | -12.51      | 33.99                 | 8.28            | 34.02              | 133                 | 326                  | Average |
| 4924   | 48.27                   | 40.02             | 74             | -25.73      | 33.99                 | 8.28            | 34.02              | 133                 | 326                  | Peak    |

Remarks:

- Emission Level = Read Level + Antenna Factor + Cable Loss - Preamp Factor  
Margin value = Emission level – Limit value
- 2462 MHz: Fundamental frequency.

| EUT Test Condition       |                    | Measurement Detail |                           |
|--------------------------|--------------------|--------------------|---------------------------|
| Channel                  | Channel 12         | Frequency Range    | 1 GHz ~ 25 GHz            |
| Input Power              | 120 Vac, 60 Hz     | Detector Function  | Peak (PK)<br>Average (AV) |
| Environmental Conditions | 25 deg. C, 65 % RH | Tested By          | Charles Hsiao             |

| Antennal Polarity & Test Distance: Horizontal at 3 m |                         |                   |                |             |                       |                 |                    |                     |                      |         |
|--|-------------------------|-------------------|----------------|-------------|-----------------------|-----------------|--------------------|---------------------|----------------------|---------|
| Frequency (MHz)                                      | Emission Level (dBuV/m) | Read Level (dBuV) | Limit (dBuV/m) | Margin (dB) | Antenna Factor (dB/m) | Cable Loss (dB) | Preamp Factor (dB) | Antenna Height (cm) | Table Angle (Degree) | Remark  |
| 2467   | 99.89                   | 97.94             |                |             | 31.87                 | 5.5             | 35.42              | 257                 | 36                   | Average |
| 2467   | 108.15                  | 106.2             |                |             | 31.87                 | 5.5             | 35.42              | 257                 | 36                   | Peak    |
| 2483.52  | 52.96                   | 51                | 54             | -1.04       | 31.88                 | 5.5             | 35.42              | 239                 | 67                   | Average |
| 2483.52  | 69.69                   | 67.73             | 74             | -4.31       | 31.88                 | 5.5             | 35.42              | 239                 | 67                   | Peak    |
| 4934   | 38.5                    | 30.24             | 54             | -15.5       | 33.99                 | 8.29            | 34.02              | 195                 | 274                  | Average |
| 4934   | 48.7                    | 40.44             | 74             | -25.3       | 33.99                 | 8.29            | 34.02              | 195                 | 274                  | Peak    |
| Antennal Polarity & Test Distance: Vertical at 3 m   |                         |                   |                |             |                       |                 |                    |                     |                      |         |
| Frequency (MHz)                                      | Emission Level (dBuV/m) | Read Level (dBuV) | Limit (dBuV/m) | Margin (dB) | Antenna Factor (dB/m) | Cable Loss (dB) | Preamp Factor (dB) | Antenna Height (cm) | Table Angle (Degree) | Remark  |
| 2467   | 93.91                   | 91.96             |                |             | 31.87                 | 5.5             | 35.42              | 240                 | 144                  | Average |
| 2467   | 102.66                  | 100.71            |                |             | 31.87                 | 5.5             | 35.42              | 240                 | 144                  | Peak    |
| 2483.52  | 47.43                   | 45.47             | 54             | -6.57       | 31.88                 | 5.5             | 35.42              | 219                 | 144                  | Average |
| 2483.52  | 62.11                   | 60.15             | 74             | -11.89      | 31.88                 | 5.5             | 35.42              | 219                 | 144                  | Peak    |
| 4934   | 38.38                   | 30.12             | 54             | -15.62      | 33.99                 | 8.29            | 34.02              | 175                 | 125                  | Average |
| 4934   | 48.58                   | 40.32             | 74             | -25.42      | 33.99                 | 8.29            | 34.02              | 175                 | 125                  | Peak    |

Remarks:

1. Emission Level = Read Level + Antenna Factor + Cable Loss - Preamp Factor  
Margin value = Emission level – Limit value
2. 2467 MHz: Fundamental frequency.

| EUT Test Condition       |                    | Measurement Detail |                           |
|--------------------------|--------------------|--------------------|---------------------------|
| Channel                  | Channel 13         | Frequency Range    | 1 GHz ~ 25 GHz            |
| Input Power              | 120 Vac, 60 Hz     | Detector Function  | Peak (PK)<br>Average (AV) |
| Environmental Conditions | 25 deg. C, 65 % RH | Tested By          | Charles Hsiao             |

| Antennal Polarity & Test Distance: Horizontal at 3 m |                         |                   |                |             |                       |                 |                    |                     |                      |         |
|--|-------------------------|-------------------|----------------|-------------|-----------------------|-----------------|--------------------|---------------------|----------------------|---------|
| Frequency (MHz)                                      | Emission Level (dBuV/m) | Read Level (dBuV) | Limit (dBuV/m) | Margin (dB) | Antenna Factor (dB/m) | Cable Loss (dB) | Preamp Factor (dB) | Antenna Height (cm) | Table Angle (Degree) | Remark  |
| 2472   | 80.2                    | 78.24             |                |             | 31.88                 | 5.5             | 35.42              | 357                 | 36                   | Average |
| 2472   | 87.35                   | 85.39             |                |             | 31.88                 | 5.5             | 35.42              | 357                 | 36                   | Peak    |
| 2483.52  | 52.98                   | 51.02             | 54             | -1.02       | 31.88                 | 5.5             | 35.42              | 178                 | 36                   | Average |
| 2483.52  | 67.73                   | 65.77             | 74             | -6.27       | 31.88                 | 5.5             | 35.42              | 178                 | 36                   | Peak    |
| 4944   | 38.41                   | 30.14             | 54             | -15.59      | 33.99                 | 8.29            | 34.01              | 161                 | 178                  | Average |
| 4944   | 48.23                   | 39.96             | 74             | -25.77      | 33.99                 | 8.29            | 34.01              | 161                 | 178                  | Peak    |
| Antennal Polarity & Test Distance: Vertical at 3 m   |                         |                   |                |             |                       |                 |                    |                     |                      |         |
| Frequency (MHz)                                      | Emission Level (dBuV/m) | Read Level (dBuV) | Limit (dBuV/m) | Margin (dB) | Antenna Factor (dB/m) | Cable Loss (dB) | Preamp Factor (dB) | Antenna Height (cm) | Table Angle (Degree) | Remark  |
| 2472   | 74.24                   | 72.28             |                |             | 31.88                 | 5.5             | 35.42              | 195                 | 132                  | Average |
| 2472   | 81.74                   | 79.78             |                |             | 31.88                 | 5.5             | 35.42              | 195                 | 132                  | Peak    |
| 2483.64  | 47.89                   | 45.93             | 54             | -6.11       | 31.88                 | 5.5             | 35.42              | 171                 | 109                  | Average |
| 2483.64  | 60.9                    | 58.94             | 74             | -13.1       | 31.88                 | 5.5             | 35.42              | 171                 | 109                  | Peak    |
| 4944   | 37.74                   | 29.47             | 54             | -16.26      | 33.99                 | 8.29            | 34.01              | 128                 | 118                  | Average |
| 4944   | 47.61                   | 39.34             | 74             | -26.39      | 33.99                 | 8.29            | 34.01              | 128                 | 118                  | Peak    |

Remarks:

1. Emission Level = Read Level + Antenna Factor + Cable Loss - Preamp Factor  
Margin value = Emission level – Limit value
2. 2472 MHz: Fundamental frequency.

802.11n (HT40)

| EUT Test Condition       |                    | Measurement Detail |                           |
|--------------------------|--------------------|--------------------|---------------------------|
| Channel                  | Channel 3          | Frequency Range    | 1 GHz ~ 25 GHz            |
| Input Power              | 120 Vac, 60 Hz     | Detector Function  | Peak (PK)<br>Average (AV) |
| Environmental Conditions | 25 deg. C, 65 % RH | Tested By          | Charles Hsiao             |

**Antennal Polarity & Test Distance: Horizontal at 3 m**

| Frequency (MHz) | Emission Level (dBuV/m) | Read Level (dBuV) | Limit (dBuV/m) | Margin (dB) | Antenna Factor (dB/m) | Cable Loss (dB) | Preamp Factor (dB) | Antenna Height (cm) | Table Angle (Degree) | Remark  |
|-----------------|-------------------------|-------------------|----------------|-------------|-----------------------|-----------------|--------------------|---------------------|----------------------|---------|
| 2389.83         | 46.44                   | 44.71             | 54             | -7.56       | 31.8                  | 5.4             | 35.47              | 199                 | 296                  | Average |
| 2389.83         | 57.37                   | 55.64             | 74             | -16.63      | 31.8                  | 5.4             | 35.47              | 199                 | 296                  | Peak    |
| 2422            | 96.63                   | 94.83             |                |             | 31.83                 | 5.43            | 35.46              | 199                 | 296                  | Average |
| 2422            | 103.08                  | 101.28            |                |             | 31.83                 | 5.43            | 35.46              | 199                 | 296                  | Peak    |
| 2496.4          | 42.43                   | 40.41             | 54             | -11.57      | 31.9                  | 5.53            | 35.41              | 199                 | 296                  | Average |
| 2496.4          | 53.33                   | 51.31             | 74             | -20.67      | 31.9                  | 5.53            | 35.41              | 199                 | 296                  | Peak    |

**Antennal Polarity & Test Distance: Vertical at 3 m**

| Frequency (MHz) | Emission Level (dBuV/m) | Read Level (dBuV) | Limit (dBuV/m) | Margin (dB) | Antenna Factor (dB/m) | Cable Loss (dB) | Preamp Factor (dB) | Antenna Height (cm) | Table Angle (Degree) | Remark  |
|-----------------|-------------------------|-------------------|----------------|-------------|-----------------------|-----------------|--------------------|---------------------|----------------------|---------|
| 2387.67         | 41.63                   | 39.92             | 54             | -12.37      | 31.8                  | 5.4             | 35.49              | 200                 | 290                  | Average |
| 2387.67         | 51.65                   | 49.94             | 74             | -22.35      | 31.8                  | 5.4             | 35.49              | 200                 | 290                  | Peak    |
| 2422            | 87.44                   | 85.64             |                |             | 31.83                 | 5.43            | 35.46              | 200                 | 290                  | Average |
| 2422            | 94.38                   | 92.58             |                |             | 31.83                 | 5.43            | 35.46              | 200                 | 290                  | Peak    |
| 2489.76         | 41.4                    | 39.39             | 54             | -12.6       | 31.9                  | 5.53            | 35.42              | 200                 | 290                  | Average |
| 2489.76         | 52.47                   | 50.46             | 74             | -21.53      | 31.9                  | 5.53            | 35.42              | 200                 | 290                  | Peak    |

Remarks:

- Emission Level = Read Level + Antenna Factor + Cable Loss - Preamp Factor  
Margin value = Emission level – Limit value
- 2422 MHz: Fundamental frequency.

| EUT Test Condition       |                    | Measurement Detail |                           |
|--------------------------|--------------------|--------------------|---------------------------|
| Channel                  | Channel 6          | Frequency Range    | 1 GHz ~ 25 GHz            |
| Input Power              | 120 Vac, 60 Hz     | Detector Function  | Peak (PK)<br>Average (AV) |
| Environmental Conditions | 25 deg. C, 65 % RH | Tested By          | Charles Hsiao             |

| Antennal Polarity & Test Distance: Horizontal at 3 m |                         |                   |                |             |                       |                 |                    |                     |                      |         |
|--|-------------------------|-------------------|----------------|-------------|-----------------------|-----------------|--------------------|---------------------|----------------------|---------|
| Frequency (MHz)                                      | Emission Level (dBuV/m) | Read Level (dBuV) | Limit (dBuV/m) | Margin (dB) | Antenna Factor (dB/m) | Cable Loss (dB) | Preamp Factor (dB) | Antenna Height (cm) | Table Angle (Degree) | Remark  |
| 2389.74  | 45.06                   | 43.35             | 54             | -8.94       | 31.8                  | 5.4             | 35.49              | 199                 | 296                  | Average |
| 2389.74  | 55.61                   | 53.9              | 74             | -18.39      | 31.8                  | 5.4             | 35.49              | 199                 | 296                  | Peak    |
| 2437   | 99.6                    | 97.75             |                |             | 31.85                 | 5.46            | 35.46              | 199                 | 296                  | Average |
| 2437   | 106.1                   | 104.25            |                |             | 31.85                 | 5.46            | 35.46              | 199                 | 296                  | Peak    |
| 2483.64  | 44.09                   | 42.13             | 54             | -9.91       | 31.88                 | 5.5             | 35.42              | 199                 | 296                  | Average |
| 2483.64  | 55.44                   | 53.48             | 74             | -18.56      | 31.88                 | 5.5             | 35.42              | 199                 | 296                  | Peak    |
| Antennal Polarity & Test Distance: Vertical at 3 m   |                         |                   |                |             |                       |                 |                    |                     |                      |         |
| Frequency (MHz)                                      | Emission Level (dBuV/m) | Read Level (dBuV) | Limit (dBuV/m) | Margin (dB) | Antenna Factor (dB/m) | Cable Loss (dB) | Preamp Factor (dB) | Antenna Height (cm) | Table Angle (Degree) | Remark  |
| 2388.66  | 41.4                    | 39.69             | 54             | -12.6       | 31.8                  | 5.4             | 35.49              | 200                 | 290                  | Average |
| 2388.66  | 51.8                    | 50.09             | 74             | -22.2       | 31.8                  | 5.4             | 35.49              | 200                 | 290                  | Peak    |
| 2437   | 90.3                    | 88.45             |                |             | 31.85                 | 5.46            | 35.46              | 200                 | 290                  | Average |
| 2437   | 97.35                   | 95.5              |                |             | 31.85                 | 5.46            | 35.46              | 200                 | 290                  | Peak    |
| 2498.24  | 41.93                   | 39.91             | 54             | -12.07      | 31.9                  | 5.53            | 35.41              | 200                 | 290                  | Average |
| 2498.24  | 52.49                   | 50.47             | 74             | -21.51      | 31.9                  | 5.53            | 35.41              | 200                 | 290                  | Peak    |

Remarks:

- Emission Level = Read Level + Antenna Factor + Cable Loss - Preamp Factor  
Margin value = Emission level – Limit value
- 2437 MHz: Fundamental frequency.



| EUT Test Condition       |                    | Measurement Detail |                           |
|--------------------------|--------------------|--------------------|---------------------------|
| Channel                  | Channel 9          | Frequency Range    | 1 GHz ~ 25 GHz            |
| Input Power              | 120 Vac, 60 Hz     | Detector Function  | Peak (PK)<br>Average (AV) |
| Environmental Conditions | 25 deg. C, 65 % RH | Tested By          | Charles Hsiao             |

| Antennal Polarity & Test Distance: Horizontal at 3 m |                         |                   |                |             |                       |                 |                    |                     |                      |         |
|--|-------------------------|-------------------|----------------|-------------|-----------------------|-----------------|--------------------|---------------------|----------------------|---------|
| Frequency (MHz)                                      | Emission Level (dBuV/m) | Read Level (dBuV) | Limit (dBuV/m) | Margin (dB) | Antenna Factor (dB/m) | Cable Loss (dB) | Preamp Factor (dB) | Antenna Height (cm) | Table Angle (Degree) | Remark  |
| 2383.62  | 42.46                   | 40.77             | 54             | -11.54      | 31.78                 | 5.4             | 35.49              | 199                 | 296                  | Average |
| 2383.62  | 52.85                   | 51.16             | 74             | -21.15      | 31.78                 | 5.4             | 35.49              | 199                 | 296                  | Peak    |
| 2452   | 97.49                   | 95.62             |                |             | 31.85                 | 5.46            | 35.44              | 199                 | 296                  | Average |
| 2452   | 104.03                  | 102.16            |                |             | 31.85                 | 5.46            | 35.44              | 199                 | 296                  | Peak    |
| 2484.44  | 46.21                   | 44.22             | 54             | -7.79       | 31.88                 | 5.53            | 35.42              | 199                 | 296                  | Average |
| 2484.44  | 58.32                   | 56.33             | 74             | -15.68      | 31.88                 | 5.53            | 35.42              | 199                 | 296                  | Peak    |

| Antennal Polarity & Test Distance: Vertical at 3 m |                         |                   |                |             |                       |                 |                    |                     |                      |         |
|--|-------------------------|-------------------|----------------|-------------|-----------------------|-----------------|--------------------|---------------------|----------------------|---------|
| Frequency (MHz)                                    | Emission Level (dBuV/m) | Read Level (dBuV) | Limit (dBuV/m) | Margin (dB) | Antenna Factor (dB/m) | Cable Loss (dB) | Preamp Factor (dB) | Antenna Height (cm) | Table Angle (Degree) | Remark  |
| 2380.38  | 41.06                   | 39.37             | 54             | -12.94      | 31.78                 | 5.4             | 35.49              | 200                 | 290                  | Average |
| 2380.38  | 51.67                   | 49.98             | 74             | -22.33      | 31.78                 | 5.4             | 35.49              | 200                 | 290                  | Peak    |
| 2452   | 88.74                   | 86.87             |                |             | 31.85                 | 5.46            | 35.44              | 200                 | 290                  | Average |
| 2452   | 95.56                   | 93.69             |                |             | 31.85                 | 5.46            | 35.44              | 200                 | 290                  | Peak    |
| 2483.52  | 42.89                   | 40.93             | 54             | -11.11      | 31.88                 | 5.5             | 35.42              | 200                 | 290                  | Average |
| 2483.52  | 53.43                   | 51.47             | 74             | -20.57      | 31.88                 | 5.5             | 35.42              | 200                 | 290                  | Peak    |

Remarks:

- Emission Level = Read Level + Antenna Factor + Cable Loss - Preamp Factor  
Margin value = Emission level – Limit value
- 2452 MHz: Fundamental frequency.

| EUT Test Condition       |                    | Measurement Detail |                           |
|--------------------------|--------------------|--------------------|---------------------------|
| Channel                  | Channel 10         | Frequency Range    | 1 GHz ~ 25 GHz            |
| Input Power              | 120 Vac, 60 Hz     | Detector Function  | Peak (PK)<br>Average (AV) |
| Environmental Conditions | 25 deg. C, 65 % RH | Tested By          | Charles Hsiao             |

| Antennal Polarity & Test Distance: Horizontal at 3 m |                         |                   |                |             |                       |                 |                    |                     |                      |         |
|--|-------------------------|-------------------|----------------|-------------|-----------------------|-----------------|--------------------|---------------------|----------------------|---------|
| Frequency (MHz)                                      | Emission Level (dBuV/m) | Read Level (dBuV) | Limit (dBuV/m) | Margin (dB) | Antenna Factor (dB/m) | Cable Loss (dB) | Preamp Factor (dB) | Antenna Height (cm) | Table Angle (Degree) | Remark  |
| 2376.69  | 42.13                   | 40.47             | 54             | -11.87      | 31.78                 | 5.37            | 35.49              | 200                 | 68                   | Average |
| 2376.69  | 52.77                   | 51.11             | 74             | -21.23      | 31.78                 | 5.37            | 35.49              | 200                 | 68                   | Peak    |
| 2457   | 96.01                   | 94.12             |                |             | 31.87                 | 5.46            | 35.44              | 224                 | 68                   | Average |
| 2457   | 105.77                  | 103.88            |                |             | 31.87                 | 5.46            | 35.44              | 224                 | 68                   | Peak    |
| 2483.52  | 52.95                   | 50.99             | 54             | -1.05       | 31.88                 | 5.5             | 35.42              | 200                 | 68                   | Average |
| 2483.52  | 63.87                   | 61.91             | 74             | -10.13      | 31.88                 | 5.5             | 35.42              | 200                 | 68                   | Peak    |

| Antennal Polarity & Test Distance: Vertical at 3 m |                         |                   |                |             |                       |                 |                    |                     |                      |         |
|--|-------------------------|-------------------|----------------|-------------|-----------------------|-----------------|--------------------|---------------------|----------------------|---------|
| Frequency (MHz)                                    | Emission Level (dBuV/m) | Read Level (dBuV) | Limit (dBuV/m) | Margin (dB) | Antenna Factor (dB/m) | Cable Loss (dB) | Preamp Factor (dB) | Antenna Height (cm) | Table Angle (Degree) | Remark  |
| 2367.87  | 40.84                   | 39.2              | 54             | -13.16      | 31.76                 | 5.37            | 35.49              | 225                 | 137                  | Average |
| 2367.87  | 52.23                   | 50.59             | 74             | -21.77      | 31.76                 | 5.37            | 35.49              | 225                 | 137                  | Peak    |
| 2457   | 89.04                   | 87.15             |                |             | 31.87                 | 5.46            | 35.44              | 240                 | 144                  | Average |
| 2457   | 97.65                   | 95.76             |                |             | 31.87                 | 5.46            | 35.44              | 240                 | 144                  | Peak    |
| 2483.52  | 47.2                    | 45.24             | 54             | -6.8        | 31.88                 | 5.5             | 35.42              | 225                 | 137                  | Average |
| 2483.52  | 55.97                   | 54.01             | 74             | -18.03      | 31.88                 | 5.5             | 35.42              | 225                 | 137                  | Peak    |

Remarks:

1. Emission Level = Read Level + Antenna Factor + Cable Loss - Preamp Factor  
Margin value = Emission level – Limit value
2. 2457 MHz: Fundamental frequency.

| EUT Test Condition       |                    | Measurement Detail |                           |
|--------------------------|--------------------|--------------------|---------------------------|
| Channel                  | Channel 11         | Frequency Range    | 1 GHz ~ 25 GHz            |
| Input Power              | 120 Vac, 60 Hz     | Detector Function  | Peak (PK)<br>Average (AV) |
| Environmental Conditions | 25 deg. C, 65 % RH | Tested By          | Charles Hsiao             |

| Antennal Polarity & Test Distance: Horizontal at 3 m |                         |                   |                |             |                       |                 |                    |                     |                      |         |
|--|-------------------------|-------------------|----------------|-------------|-----------------------|-----------------|--------------------|---------------------|----------------------|---------|
| Frequency (MHz)                                      | Emission Level (dBuV/m) | Read Level (dBuV) | Limit (dBuV/m) | Margin (dB) | Antenna Factor (dB/m) | Cable Loss (dB) | Preamp Factor (dB) | Antenna Height (cm) | Table Angle (Degree) | Remark  |
| 2382   | 40.91                   | 39.22             | 54             | -13.09      | 31.78                 | 5.4             | 35.49              | 301                 | 73                   | Average |
| 2382   | 51.8                    | 50.11             | 74             | -22.2       | 31.78                 | 5.4             | 35.49              | 301                 | 73                   | Peak    |
| 2462   | 77.59                   | 75.66             |                |             | 31.87                 | 5.5             | 35.44              | 295                 | 73                   | Average |
| 2462   | 85.65                   | 83.72             |                |             | 31.87                 | 5.5             | 35.44              | 295                 | 73                   | Peak    |
| 2483.52  | 52.96                   | 51                | 54             | -1.04       | 31.88                 | 5.5             | 35.42              | 301                 | 73                   | Average |
| 2483.52  | 63.54                   | 61.58             | 74             | -10.46      | 31.88                 | 5.5             | 35.42              | 301                 | 73                   | Peak    |

| Antennal Polarity & Test Distance: Vertical at 3 m |                         |                   |                |             |                       |                 |                    |                     |                      |         |
|--|-------------------------|-------------------|----------------|-------------|-----------------------|-----------------|--------------------|---------------------|----------------------|---------|
| Frequency (MHz)                                    | Emission Level (dBuV/m) | Read Level (dBuV) | Limit (dBuV/m) | Margin (dB) | Antenna Factor (dB/m) | Cable Loss (dB) | Preamp Factor (dB) | Antenna Height (cm) | Table Angle (Degree) | Remark  |
| 2383.26  | 40.74                   | 39.05             | 54             | -13.26      | 31.78                 | 5.4             | 35.49              | 186                 | 132                  | Average |
| 2383.26  | 52.54                   | 50.85             | 74             | -21.46      | 31.78                 | 5.4             | 35.49              | 186                 | 132                  | Peak    |
| 2462   | 71.9                    | 69.97             |                |             | 31.87                 | 5.5             | 35.44              | 199                 | 132                  | Average |
| 2462   | 80.22                   | 78.29             |                |             | 31.87                 | 5.5             | 35.44              | 199                 | 132                  | Peak    |
| 2483.52  | 47.79                   | 45.83             | 54             | -6.21       | 31.88                 | 5.5             | 35.42              | 186                 | 132                  | Average |
| 2483.52  | 58.57                   | 56.61             | 74             | -15.43      | 31.88                 | 5.5             | 35.42              | 186                 | 132                  | Peak    |

Remarks:

1. Emission Level = Read Level + Antenna Factor + Cable Loss - Preamp Factor  
Margin value = Emission level – Limit value
2. 2462 MHz: Fundamental frequency.

**9 kHz ~ 30 MHz Data:**

The amplitude of spurious emissions attenuated more than 20 dB below the permissible value is not required to be report.

**30 MHz ~ 1 GHz Worst-Case Data:**

**802.11b**

| EUT Test Condition       |                    | Measurement Detail |                              |
|--------------------------|--------------------|--------------------|------------------------------|
| Channel                  | Channel 13         | Frequency Range    | 30 MHz ~ 1 GHz               |
| Input Power              | 120 Vac, 60 Hz     | Detector Function  | Peak (PK)<br>Quasi-peak (QP) |
| Environmental Conditions | 25 deg. C, 65 % RH | Tested By          | Charles Hsiao                |

| Antennal Polarity & Test Distance: Horizontal at 3 m |                         |                   |                |             |                       |                 |                    |                     |                      |        |
|--|-------------------------|-------------------|----------------|-------------|-----------------------|-----------------|--------------------|---------------------|----------------------|--------|
| Frequency (MHz)                                      | Emission Level (dBuV/m) | Read Level (dBuV) | Limit (dBuV/m) | Margin (dB) | Antenna Factor (dB/m) | Cable Loss (dB) | Preamp Factor (dB) | Antenna Height (cm) | Table Angle (Degree) | Remark |
| 45.66  | 28.45                   | 45.36             | 40             | -11.55      | 14.41                 | 0.9             | 32.22              | 156                 | 240                  | Peak   |
| 93.99  | 38.19                   | 57.62             | 43.5           | -5.31       | 11.39                 | 1.11            | 31.93              | 191                 | 133                  | Peak   |
| 200.91   | 37.46                   | 57.01             | 43.5           | -6.04       | 11.09                 | 1.65            | 32.29              | 165                 | 270                  | Peak   |
| 347.6  | 28.05                   | 43.76             | 46             | -17.95      | 14.17                 | 2.19            | 32.07              | 126                 | 150                  | Peak   |
| 643  | 20.11                   | 30.94             | 46             | -25.89      | 18.34                 | 2.99            | 32.16              | 163                 | 174                  | Peak   |
| 874.7  | 23.16                   | 30.02             | 46             | -22.84      | 21.29                 | 3.49            | 31.64              | 155                 | 129                  | Peak   |
| Antennal Polarity & Test Distance: Vertical at 3 m   |                         |                   |                |             |                       |                 |                    |                     |                      |        |
| Frequency (MHz)                                      | Emission Level (dBuV/m) | Read Level (dBuV) | Limit (dBuV/m) | Margin (dB) | Antenna Factor (dB/m) | Cable Loss (dB) | Preamp Factor (dB) | Antenna Height (cm) | Table Angle (Degree) | Remark |
| 47.28  | 32.39                   | 49.2              | 40             | -7.61       | 14.51                 | 0.9             | 32.22              | 168                 | 134                  | Peak   |
| 92.1   | 35.19                   | 54.98             | 43.5           | -8.31       | 10.92                 | 1.11            | 31.82              | 185                 | 219                  | Peak   |
| 196.86   | 36.8                    | 56.47             | 43.5           | -6.7        | 11                    | 1.61            | 32.28              | 130                 | 166                  | Peak   |
| 399.4  | 32.26                   | 47.15             | 46             | -13.74      | 14.99                 | 2.34            | 32.22              | 196                 | 125                  | Peak   |
| 820.1  | 21.37                   | 29.35             | 46             | -24.63      | 20.65                 | 3.32            | 31.95              | 163                 | 233                  | Peak   |
| 921.6  | 22.98                   | 29.2              | 46             | -23.02      | 21.57                 | 3.53            | 31.32              | 157                 | 145                  | Peak   |

Remarks:

- Emission Level = Read Level + Antenna Factor + Cable Loss - Preamp Factor  
Margin value = Emission level – Limit value

## 4.2 Conducted Output Power Measurement

### 4.2.1 Limits of Conducted Output Power Measurement

For systems using digital modulation in the 2400–2483.5 MHz bands: 1 Watt (30 dBm)

Per KDB 662911 D01 Multiple Transmitter Output Method of conducted output power measurement on IEEE 802.11 devices,

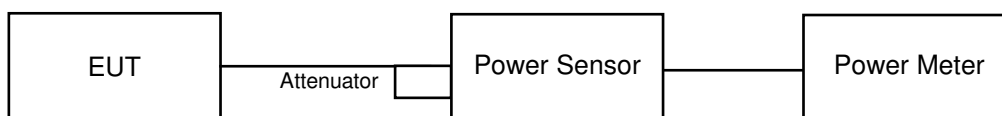
Array Gain = 0 dB (i.e., no array gain) for NANT  $\leq$  4;

Array Gain = 0 dB (i.e., no array gain) for channel widths  $\geq$  40 MHz for any NANT;

Array Gain =  $5 \log(\text{NANT}/\text{NSS})$  dB or 3 dB, whichever is less for 20 MHz channel widths with NANT  $\geq$  5.

For power measurements on all other devices: Array Gain =  $10 \log(\text{NANT}/\text{NSS})$  dB.

### 4.2.2 Test Setup



### 4.2.3 Test Instruments

Refer to section 4.1.2 to get information of above instrument.

### 4.2.4 Test Procedures

A peak power sensor was used on the output port of the EUT. A power meter was used to read the response of the peak power sensor. Record the power level.

### 4.2.5 Deviation from Test Standard

No deviation.

### 4.2.6 EUT Operating Conditions

The software provided by client to enable the EUT under transmission condition continuously at lowest, middle and highest channel frequencies individually.

#### 4.2.7 Test Results

##### 802.11b

| Channel | Frequency (MHz) | Peak Power (mW) | Peak Power (dBm) | Limit (dBm) | Pass / Fail |
|---------|-----------------|-----------------|------------------|-------------|-------------|
| 1       | 2412            | 99.77           | 19.99            | 30          | Pass        |
| 6       | 2437            | 152.05          | 21.82            | 30          | Pass        |
| 11      | 2462            | 116.14          | 20.65            | 30          | Pass        |
| 12      | 2467            | 41.88           | 16.22            | 30          | Pass        |
| 13      | 2472            | 10.96           | 10.40            | 30          | Pass        |

##### 802.11g

| Channel | Frequency (MHz) | Peak Power (mW) | Peak Power (dBm) | Limit (dBm) | Pass / Fail |
|---------|-----------------|-----------------|------------------|-------------|-------------|
| 1       | 2412            | 125.31          | 20.98            | 30          | Pass        |
| 6       | 2437            | 186.21          | 22.70            | 30          | Pass        |
| 11      | 2462            | 118.85          | 20.75            | 30          | Pass        |
| 12      | 2467            | 56.36           | 17.51            | 30          | Pass        |
| 13      | 2472            | 2.21            | 3.45             | 30          | Pass        |

##### 802.11n (HT20)

| Channel | Frequency (MHz) | Peak Power (dBm) |         | Total Power (mW) | Total Power (dBm) | Limit (dBm) | Pass / Fail |
|---------|-----------------|------------------|---------|------------------|-------------------|-------------|-------------|
|         |                 | Chain 0          | Chain 1 |                  |                   |             |             |
| 1       | 2412            | 15.76            | 15.98   | 77.27            | 18.88             | 30          | Pass        |
| 6       | 2437            | 19.74            | 19.76   | 188.80           | 22.76             | 30          | Pass        |
| 11      | 2462            | 16.34            | 16.55   | 88.31            | 19.46             | 30          | Pass        |
| 12      | 2467            | 10.80            | 10.30   | 22.75            | 13.57             | 30          | Pass        |
| 13      | 2472            | -3.07            | -3.26   | 0.97             | -0.15             | 30          | Pass        |

##### 802.11n (HT40)

| Channel | Frequency (MHz) | Peak Power (dBm) |         | Total Power (mW) | Total Power (dBm) | Limit (dBm) | Pass / Fail |
|---------|-----------------|------------------|---------|------------------|-------------------|-------------|-------------|
|         |                 | Chain 0          | Chain 1 |                  |                   |             |             |
| 3       | 2422            | 14.25            | 14.33   | 53.70            | 17.30             | 30          | Pass        |
| 6       | 2437            | 16.92            | 17.13   | 100.93           | 20.04             | 30          | Pass        |
| 9       | 2452            | 14.88            | 15.21   | 63.97            | 18.06             | 30          | Pass        |
| 10      | 2457            | 12.40            | 12.38   | 34.67            | 15.40             | 30          | Pass        |
| 11      | 2462            | -3.27            | -3.73   | 0.90             | -0.48             | 30          | Pass        |

## 5 Pictures of Test Arrangements

Please refer to the attached file (Test Setup Photo).

## Appendix – Information on the Testing Laboratories

We, Bureau Veritas Consumer Products Services (H.K.) Ltd., Taoyuan Branch, were founded in 1988 to provide our best service in EMC, Radio, Telecom and Safety consultation. Our laboratories are FCC recognized accredited test firms and accredited according to ISO/IEC 17025.

If you have any comments, please feel free to contact us at the following:

**Linko EMC/RF Lab**

Tel: 886-2-26052180

Fax: 886-2-26051924

**Hsin Chu EMC/RF/Telecom Lab**

Tel: 886-3-6668565

Fax: 886-3-6668323

**Hwa Ya EMC/RF/Safety Lab**

Tel: 886-3-3183232

Fax: 886-3-3270892

**Email:** [service.adt@tw.bureauveritas.com](mailto:service.adt@tw.bureauveritas.com)

**Web Site:** [www.bureauveritas-adt.com](http://www.bureauveritas-adt.com)

The address and road map of all our labs can be found in our web site also.

--- END ---