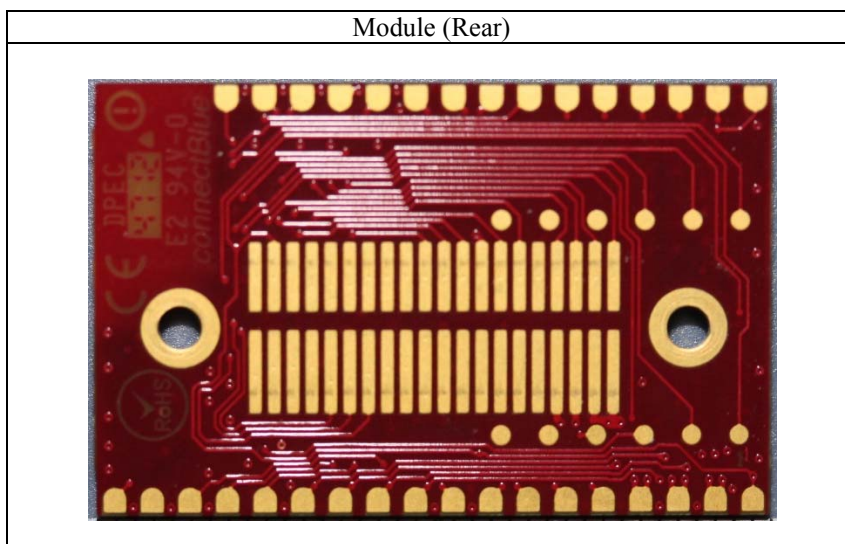
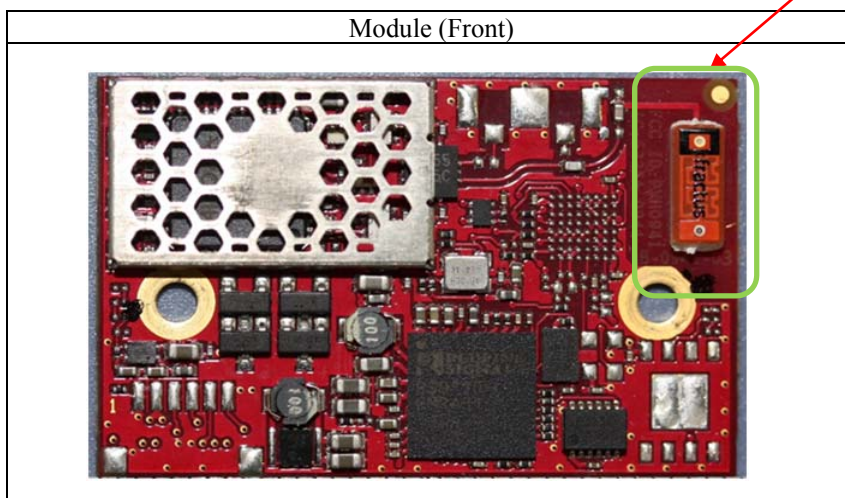


APPENDIX 4 : Photographs of test setup

1. Photographs of EUT

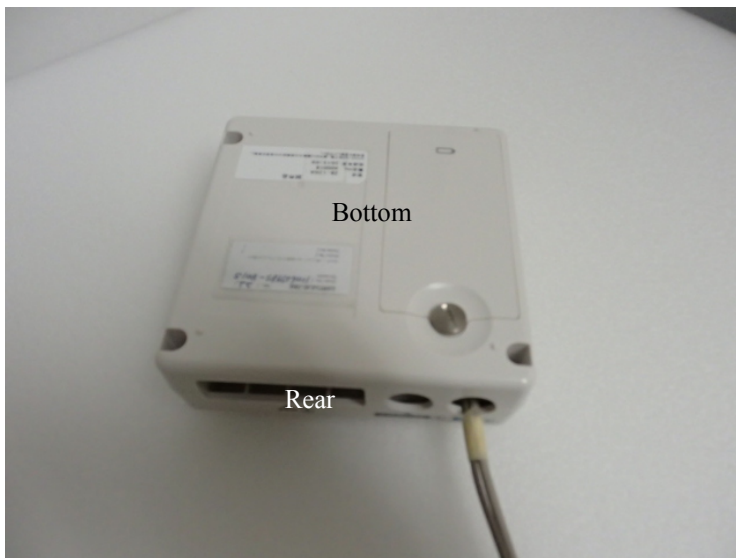
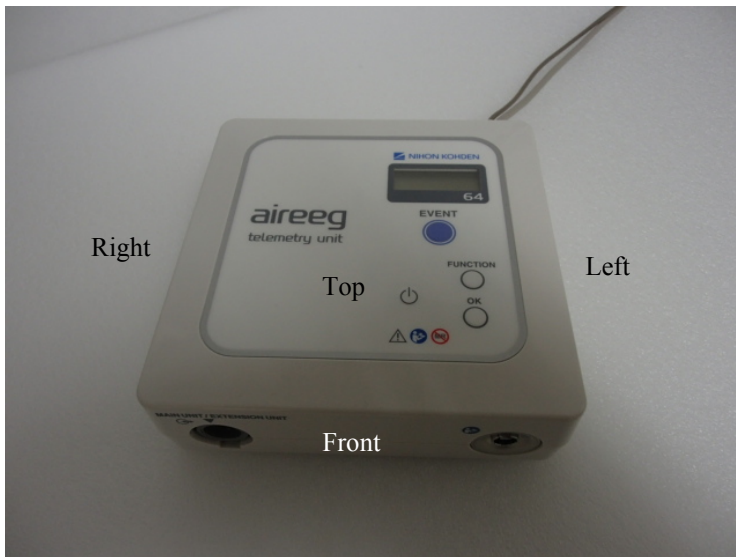
Antenna



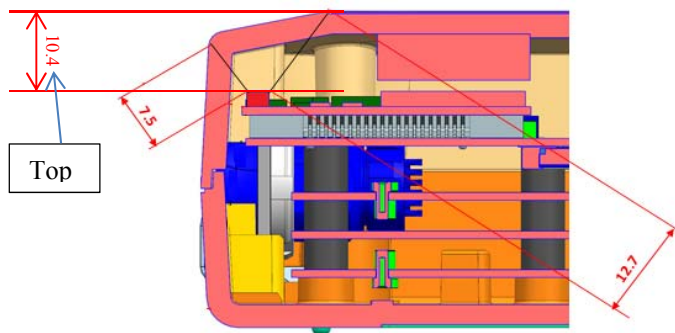
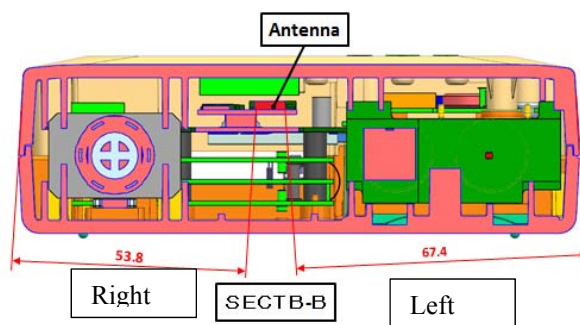
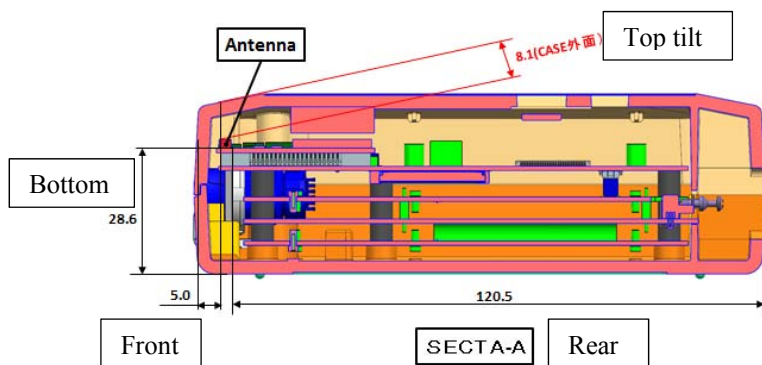
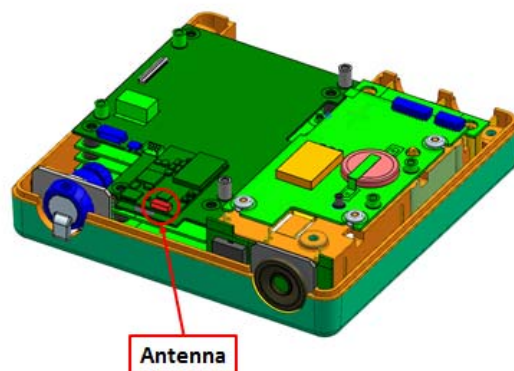
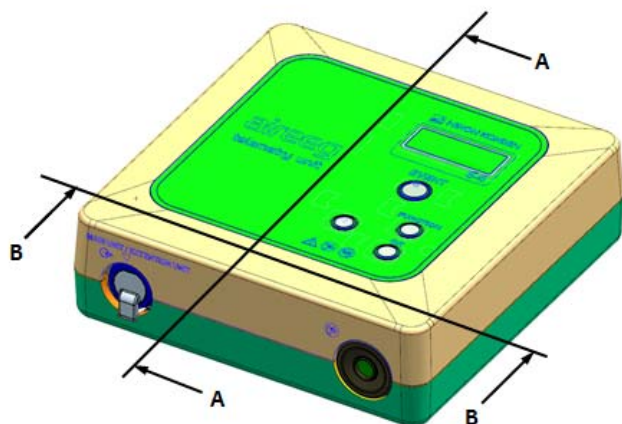
2. Photographs of the Host device

<Information of the Host device>

Type of Equipment : TELEMETRY UNIT
Model No. : ZB-120A
Serial No. : A00018
Rating : DC 7.2 V
Size of Host device : W130×H130×D41mm
Clock frequency(ies) in the system : 32.768 kHz, 12.5 MHz, 40 MHz, 50 MHz, 100 MHz



3. Antenna position



4. Photographs of setup



Front



End of Report