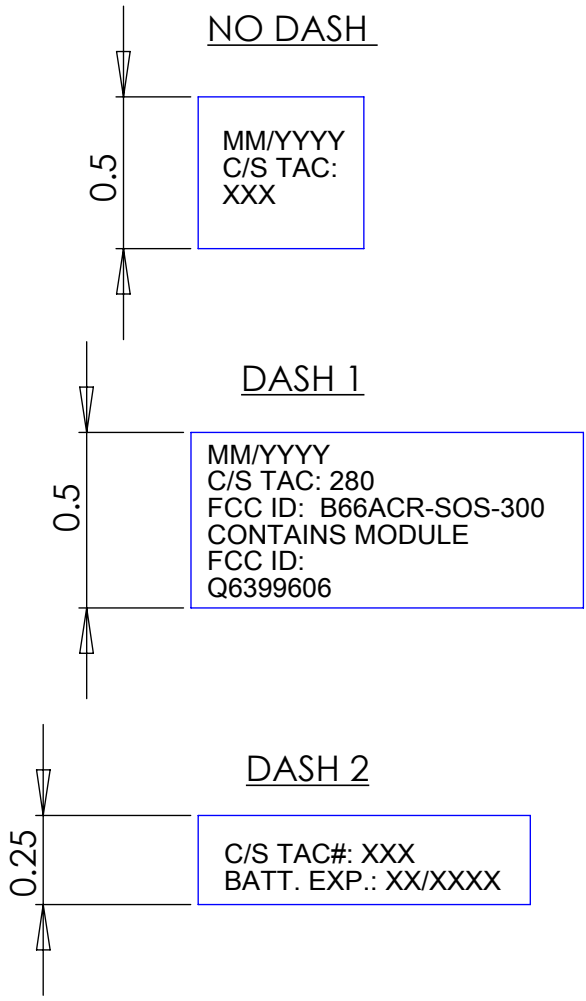


THIS DOCUMENT AND THE DATA DISCLOSED HEREIN OR HEREWITH IS PROPERTY OF AND BELONGS TO ACR ELECTRONICS, INC. FT LAUDERDALE, FL. IT IS FURNISHED IN CONFIDENCE SOLELY FOR INFORMATIONAL PURPOSES. IT IS NOT TO BE REPRODUCED, USED OR DISCLOSED IN WHOLE OR IN PART TO ANYONE WITHOUT THE PERMISSION OF ACR.

REVISIONS				
REV	DESCRIPTION		DATE	APPROVED
A	RELEASE PER W/1 05-EN-05	LAM	11/16/11	T. MARTIN
B	ECO 16434 UPDATE LABEL	FD	6/30/16	C. RILEY
C	ECO 16526 ADDED NO DASH, 1 & 2	M.P.	12/8/16	C. RILEY
D	ECO 16721 UPDATED DASH 1	M.P.	7/12/17	C. RILEY

DWG. NO. 18560
 SHT 1 REV D
 A1-20-1661-

- NOTE:**
- NO DASH & DASH 1:** MADE IN-HOUSE BY PRODUCTION USING A2-05-0129-11 BLACK ON CLEAR
 - DASH 2:** MADE IN-HOUSE BY PRODUCTION USING A2-05-0129-2. BLACK ON CLEAR



UNLESS OTHERWISE SPECIFIED
 ALL ANGLES ARE 90°
 DIMENSIONS ARE IN INCHES

TOLERANCES ON

FRACTIONS	DECIMALS	ANGLES
±1/64	.X ±.030 .XX ±.010 .XXX ±.005	X ±5° .X ±2° .XX ±1° .XXX ±1/2° IMPLIED: ±1°

ANSI-A SOLIDWORKS

DRAWN	LAM	11/4/11
CHECKED	TM	11/16/11
ENG.	FJ	11/15/11
APVD.	BF	11/16/11

(X) DENOTES REVISION CHANGE
 (+) DENOTES DIMENSION PLUS DRAFT ANGLE
 (-) DENOTES DIMENSION MINUS DRAFT ANGLE
 (XX) DENOTES REFERENCE NOTE OR DIMENSION
 (XX) DENOTES CRITICAL INSPECTION DIMENSIONS

ACR ELECTRONICS, INC
5757 RAVENSWOOD RD. FT. LAUDERDALE FL 33312

LABEL, BATTERY REPLACEMENT DATE

SIZE A	CODE IDENT. NO. 18560	DRAWING NO. A1-20-1661-	REV D
------------------	---------------------------------	-----------------------------------	-----------------

SCALE NONE SHEET 1 OF 1