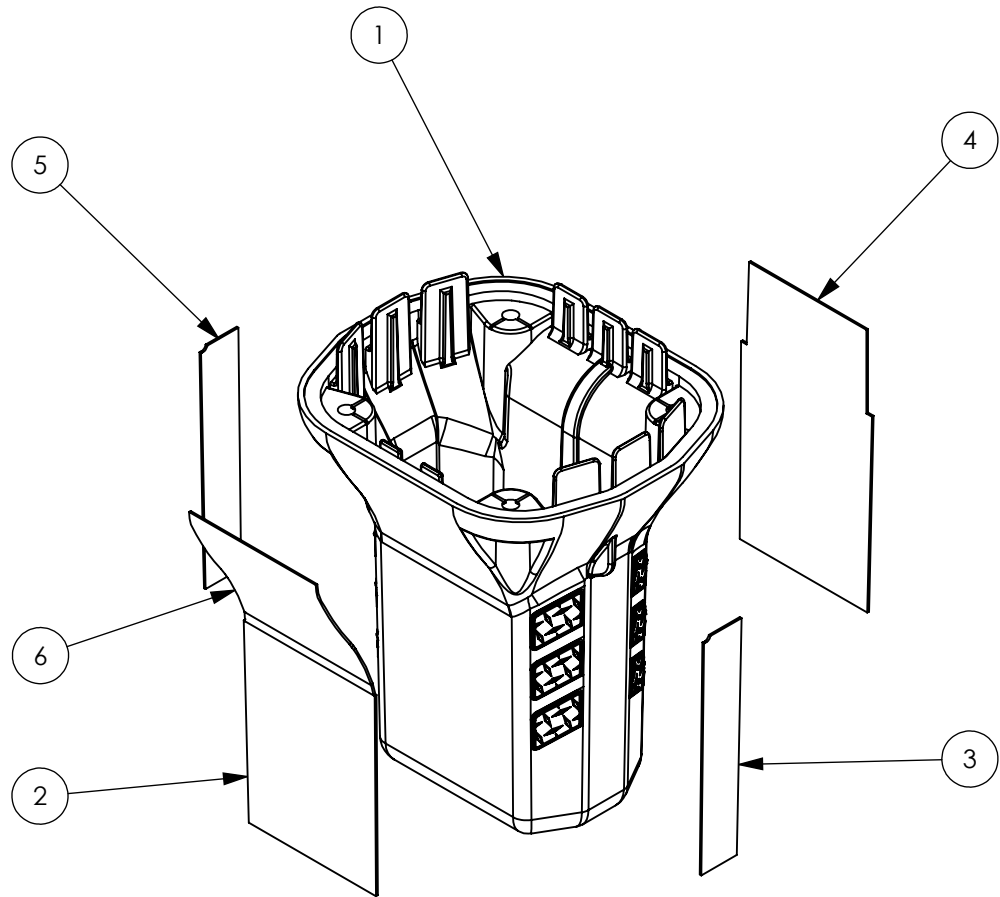


THIS DOCUMENT AND THE DATA DISCLOSED HEREIN OR HEREWITH IS PROPERTY OF AND BELONGS TO ACR ELECTRONICS, INC. FT LAUDERDALE, FL. IT IS FURNISHED IN CONFIDENCE SOLELY FOR INFORMATIONAL PURPOSES. IT IS NOT TO BE REPRODUCED, USED OR DISCLOSED IN WHOLE OR IN PART TO ANYONE WITHOUT THE PERMISSION OF ACR.

| REVISIONS | | | | |
|-----------|-----------------------|------|----------|-----------|
| REV | DESCRIPTION | DATE | APPROVED | |
| A | RELEASE PER ECO 13465 | LAM | 7/18/08 | T. MARTIN |



| 1 | 6 | A1-20-1424 | PAD LABEL, RLB-36 GLOBALFIX IPRO |
|------|----------|-------------------------|--------------------------------------|
| 1 | 5 | A1-20-1428 | PAD LABEL, RLB-36 CE MARK |
| 1 | 4 | A1-20-1427 | PAD LABEL, RLB-36 WETSENSE WARNING |
| 1 | 3 | A1-20-1426 | PAD LABEL, RLB-36 CL 2 WHEELMARK |
| 1 | 2 | A1-20-1425 | PAD LABEL, RLB-36 NOAA DECAL WARNING |
| 1 | 1 | A1-18-2120-4 | BOTTOM CASE , WITH OVERMOLD, PAINTED |
| QTY. | ITEM NO. | PART OR IDENTIFYING NO. | NOMENCLATURE OR DESCRIPTION |

LIST OF MATERIALS OR PARTS LIST

| UNLESS OTHERWISE SPECIFIED: ALL ANGLES ARE 90° DIMENSIONS ARE IN INCHES TOLERANCES ON <table border="1"> <thead> <tr> <th>FRACTIONS</th> <th>DECIMALS</th> <th>ANGLES</th> </tr> </thead> <tbody> <tr> <td>±1/64</td> <td>.X ±.030 .XX ±.010 .XXX ±.005</td> <td>X ± 5° .X ± 2° .XX ± 1° .XXX ± 1/2° IMPLIED: ±1°</td> </tr> </tbody> </table> | FRACTIONS | DECIMALS | ANGLES | ±1/64 | .X ±.030 .XX ±.010 .XXX ±.005 | X ± 5° .X ± 2° .XX ± 1° .XXX ± 1/2° IMPLIED: ±1° | DRAWN AJP 6/9/08 CHECKED TM 7/18/08 ENG. CT 7/9/08 APVD. KLG 7/17/08 | ACR ELECTRONICS, INC 5757 RAVENSWOOD RD. FT. LAUDERDALE FL 33312 PAD PRINT, BOTTOM CASE RLB-36 | | |
|--|---|-------------------------------------|--|------------------------|-------------------------------------|--|---|--|--|--|
| | FRACTIONS | DECIMALS | ANGLES | | | | | | | |
| | ±1/64 | .X ±.030 .XX ±.010 .XXX ±.005 | X ± 5° .X ± 2° .XX ± 1° .XXX ± 1/2° IMPLIED: ±1° | | | | | | | |
| | (X) DENOTES REVISION CHANGE (+) DENOTES DIMENSION PLUS DRAFT ANGLE (-) DENOTES DIMENSION MINUS DRAFT ANGLE (XX) DENOTES REFERENCE NOTE OR DIMENSION (XX) DENOTES CRITICAL INSPECTION DIMENSIONS | SIZE B SCALE 1:2 | CODE IDENT. NO. 18560 SHEET 1 OF 1 | DRAWING NO. A1-18-2111 | REV A | | | | | |
| ANSI-B SOLIDWORKS | | | | | | | | | | |

THIS DOCUMENT AND THE DATA DISCLOSED HEREIN OR HEREWITH IS PROPERTY OF AND BELONGS TO ACR ELECTRONICS, INC. FT LAUDERDALE, FL. IT IS FURNISHED IN CONFIDENCE SOLELY FOR INFORMATIONAL PURPOSES. IT IS NOT TO BE REPRODUCED, USED OR DISCLOSED IN WHOLE OR IN PART TO ANYONE WITHOUT THE PERMISSION OF ACR.

| REVISIONS | | | |
|-----------|-----------------------|------|----------------------|
| REV | DESCRIPTION | DATE | APPROVED |
| A | RELEASE PER ECO 13424 | LAM | 6/24/08 T. MARTIN |

DWG. NO. 18560
 SHT 1 REV A
 A1-20-1424

NOTE:
 PAD PRINT USING A2-08-0068-8 DARK BLUE.



| | | |
|--|-------------------------------------|--|
| UNLESS OTHERWISE SPECIFIED ALL ANGLES ARE 90° DIMENSIONS ARE IN INCHES | | |
| TOLERANCES ON | | |
| FRACTIONS | DECIMALS | ANGLES |
| ±1/64 | .X ±.030 .XX ±.010 .XXX ±.005 | X ±5° .X ±2° .XX ±1° .XXX ±1/2° IMPLIED: ±1° |
| ANSI-A | SOLIDWORKS | |

| | | |
|---|-----|---------|
| DRAWN | LAM | 5/21/08 |
| CHECKED | TM | 5/24/08 |
| ENG. | CT | 6/17/08 |
| APVD. | KLG | 6/18/08 |
| □ DENOTES REVISION CHANGE ⊕ DENOTES DIMENSION PLUS DRAFT ANGLE ⊖ DENOTES DIMENSION MINUS DRAFT ANGLE (XX) DENOTES REFERENCE NOTE OR DIMENSION (XX) DENOTES CRITICAL INSPECTION DIMENSIONS | | |

ACR ELECTRONICS, INC
5757 RAVENSWOOD RD. FT. LAUDERDALE FL 33312

**PAD LABEL, GLOBALFIX
iPRO LOGO**

| | | | |
|------------------|---------------------------------|----------------------------------|-----------------|
| SIZE A | CODE IDENT. NO. 18560 | DRAWING NO. A1-20-1424 | REV A |
| SCALE NONE | | SHEET 1 OF 1 | |

THIS DOCUMENT AND THE DATA DISCLOSED HEREIN OR HEREWITH IS PROPERTY OF AND BELONGS TO ACR ELECTRONICS, INC. FT LAUDERDALE, FL. IT IS FURNISHED IN CONFIDENCE SOLELY FOR INFORMATIONAL PURPOSES. IT IS NOT TO BE REPRODUCED, USED OR DISCLOSED IN WHOLE OR IN PART TO ANYONE WITHOUT THE PERMISSION OF ACR.

| REVISIONS | | | |
|-----------|-----------------------|------|----------------------|
| REV | DESCRIPTION | DATE | APPROVED |
| A | RELEASE PER ECO 13424 | LAM | 6/24/08 T. MARTIN |

DWG. NO. 18560
 SHT 1 REV A
 A1-20-1425

NOTE:
 PAD PRINT USING A2-08-0068-8
 DARK BLUE.

BEACON DECAL HERE
 In the USA, the owner of this 406 MHz EPIRB must register the NOAA identification code contained on this product with NOAA:
 NOAA SARSAT Beacon Registration
 NSOF, E/SP3
 4231 Suitland Road
 Suitland, MD 20746
www.beaconregistration.noaa.gov

WARNING: Use only in situations of grave and imminent danger
AVERTISSEMENT: Utilisez seulement durant les situations extrêmement grave et dangeureux

ACR Electronics, Inc. Ft. Lauderdale, FL USA


| | | |
|--|--|--|
| UNLESS OTHERWISE SPECIFIED ALL ANGLES ARE 90° DIMENSIONS ARE IN INCHES | | |
| TOLERANCES ON | | |
| FRACTIONS | DECIMALS | ANGLES |
| ±1/64 | .X ± .030 .XX ± .010 .XXX ± .005 | X ± 5° .X ± 2° .XX ± 1° .XXX ± 1/2° IMPLIED: ±1° |
| ANSI-A | SOLIDWORKS | |

| | | |
|---|-----|---------|
| DRAWN | LAM | 5/21/08 |
| CHECKED | TM | 6/24/08 |
| ENG. | CT | 6/17/08 |
| APVD. | KLG | 6/18/08 |
| ◊ DENOTES REVISION CHANGE ⊕ DENOTES DIMENSION PLUS DRAFT ANGLE ⊖ DENOTES DIMENSION MINUS DRAFT ANGLE (XX) DENOTES REFERENCE NOTE OR DIMENSION (XX) DENOTES CRITICAL INSPECTION DIMENSIONS | | |

ACR ELECTRONICS, INC
5757 RAVENSWOOD RD. FT. LAUDERDALE FL 33312

PAD LABEL, BOTTOM CASE, NOAA DECAL

| | | | |
|----------------------|---------------------------------|----------------------------------|-----------------|
| SIZE A | CODE IDENT. NO. 18560 | DRAWING NO. A1-20-1425 | REV A |
| SCALE NONE | | SHEET 1 OF 1 | |

THIS DOCUMENT AND THE DATA DISCLOSED HEREIN OR HEREWITH IS PROPERTY OF AND BELONGS TO ACR ELECTRONICS, INC. FT LAUDERDALE, FL. IT IS FURNISHED IN CONFIDENCE SOLELY FOR INFORMATIONAL PURPOSES. IT IS NOT TO BE REPRODUCED, USED OR DISCLOSED IN WHOLE OR IN PART TO ANYONE WITHOUT THE PERMISSION OF ACR.

| REVISIONS | | | |
|-----------|-----------------------|------|----------------------|
| REV | DESCRIPTION | DATE | APPROVED |
| A | RELEASE PER ECO 13424 | LAM | 6/24/08 T. MARTIN |

REV 1 A
SHT 1
DWG. NO. 18560
A1-20-1426

NOTE:
PAD PRINT USING A2-08-0068-8
DARK BLUE

CLASS 2
Operation/Operación/Opération
48 hrs -20° to 55°C (-4° to 131°F)
Storage/Estiba/Stockage
-30° to 70°C (-22° to 158°F)

0735/08

UNLESS OTHERWISE SPECIFIED
ALL ANGLES ARE 90°
DIMENSIONS ARE IN INCHES

TOLERANCES ON

| FRACTIONS | DECIMALS | ANGLES |
|-----------|--|--|
| ±1/64 | .X ± .030 .XX ± .010 .XXX ± .005 | X ± 5° .X ± 2° .XX ± 1° .XXX ± 1/2° IMPLIED: ±1° |

ANSI-A SOLIDWORKS

| | | |
|---------|-----|---------|
| DRAWN | LAM | 5/21/08 |
| CHECKED | TM | 6/24/08 |
| ENG. | CT | 6/17/08 |
| APVD. | KLK | 6/18/08 |

DENOTES REVISION CHANGE
 DENOTES DIMENSION PLUS DRAFT ANGLE
 DENOTES DIMENSION MINUS DRAFT ANGLE
 (XX) DENOTES REFERENCE NOTE OR DIMENSION
 (XX) DENOTES CRITICAL INSPECTION DIMENSIONS

ACR ELECTRONICS, INC
5757 RAVENSWOOD RD. FT. LAUDERDALE FL 33312

PAD LABEL, BOTTOM CASE, CLASS 2 BATTERY

| SIZE | CODE IDENT. NO. | DRAWING NO. | REV |
|------|-----------------|-------------|-----|
| A | 18560 | A1-20-1426 | A |

SCALE NONE SHEET 1 OF 1

THIS DOCUMENT AND THE DATA DISCLOSED HEREIN OR HEREWITH IS PROPERTY OF AND BELONGS TO ACR ELECTRONICS, INC. FT LAUDERDALE, FL. IT IS FURNISHED IN CONFIDENCE SOLELY FOR INFORMATIONAL PURPOSES. IT IS NOT TO BE REPRODUCED, USED OR DISCLOSED IN WHOLE OR IN PART TO ANYONE WITHOUT THE PERMISSION OF ACR.

| REVISIONS | | | |
|-----------|-----------------------|------|----------------------|
| REV | DESCRIPTION | DATE | APPROVED |
| A | RELEASE PER ECO 13424 | LAM | 6/24/08 T. MARTIN |

DWG. NO. 18560
 SHT 1 REV A
 A1-20-1427

NOTE:
 PAD PRINT USING A2-08-0068-8
 DARK BLUE.

**Activates when out of
 bracket and in water**
 Emergency Disabling
 Remove 4 top screws and
 disconnect battery
 Safe compass
 distance 1 m (3.3ft.)
NOTICE TO PUBLIC
 If found, do not remove EPIRB
 Report its position to Coast Guard
 or appropriate authority
 Warranty void if opened
 See manual for proper care
 Owners manual on website
 Service Station Decal Here

| | | |
|--|-------------------------------------|--|
| UNLESS OTHERWISE SPECIFIED ALL ANGLES ARE 90° DIMENSIONS ARE IN INCHES | | |
| TOLERANCES ON | | |
| FRACTIONS | DECIMALS | ANGLES |
| ±1/64 | .X ±.030 .XX ±.010 .XXX ±.005 | X ± 5° .X ± 2° .XX ± 1° .XXX ± 1/2° IMPLIED: ±1° |
| ANSI-A | SOLIDWORKS | |

| | | |
|---|-----|---------|
| DRAWN | LAM | 5/21/08 |
| CHECKED | TM | 6/24/08 |
| ENG. | CT | 6/17/08 |
| APVD. | KLK | 6/18/08 |
| ◻ DENOTES REVISION CHANGE ⊕ DENOTES DIMENSION PLUS DRAFT ANGLE ⊖ DENOTES DIMENSION MINUS DRAFT ANGLE (XX) DENOTES REFERENCE NOTE OR DIMENSION (XX) DENOTES CRITICAL INSPECTION DIMENSIONS | | |

ACR ELECTRONICS, INC
5757 RAVENSWOOD RD. FT. LAUDERDALE FL 33312

**PAD LABEL, BOTTOM CASE
 WET SENSE WARNING**

| | | | |
|------------------|---------------------------------|----------------------------------|-----------------|
| SIZE A | CODE IDENT. NO. 18560 | DRAWING NO. A1-20-1427 | REV A |
| SCALE NONE | SHEET 1 OF 1 | | |

THIS DOCUMENT AND THE DATA DISCLOSED HEREIN OR HEREWITH IS PROPERTY OF AND BELONGS TO ACR ELECTRONICS, INC. FT LAUDERDALE, FL. IT IS FURNISHED IN CONFIDENCE SOLELY FOR INFORMATIONAL PURPOSES. IT IS NOT TO BE REPRODUCED, USED OR DISCLOSED IN WHOLE OR IN PART TO ANYONE WITHOUT THE PERMISSION OF ACR.

| REVISIONS | | | |
|-----------|------------------------|----------------|-----------|
| REV | DESCRIPTION | DATE | APPROVED |
| A | RELEASED PER ECO 13424 | LAM 6/24/08 | T. MARTIN |

DWG. NO. 18560
 SHT 1 REV A
 A1-20-1428

NOTE:
 PAD PRINT USING A2-08-0068-8
 DARK BLUE.



Shore Based Maintenance or battery replacement by date shown or after use
 Maintenance à terre et remplacement des batteries par la date indiquée ou après usage
 SBM/Battery Expiry Date _____

| | | |
|--|-------------------------------------|--|
| UNLESS OTHERWISE SPECIFIED ALL ANGLES ARE 90° DIMENSIONS ARE IN INCHES | | |
| TOLERANCES ON | | |
| FRACTIONS | DECIMALS | ANGLES |
| ±1/64 | .X ±.030 .XX ±.010 .XXX ±.005 | X ± 5° .X ± 2° .XX ± 1° .XXX ± 1/2° IMPLIED: ±1° |
| ANSI-A | SOLIDWORKS | |

| | | |
|---|-----|---------|
| DRAWN | LAM | 5/21/08 |
| CHECKED | TM | 6/24/08 |
| ENG. | CT | 6/17/08 |
| APVD. | KLK | 6/18/08 |
| □ DENOTES REVISION CHANGE ⊕ DENOTES DIMENSION PLUS DRAFT ANGLE ⊖ DENOTES DIMENSION MINUS DRAFT ANGLE (XX) DENOTES REFERENCE NOTE OR DIMENSION (XX) DENOTES CRITICAL INSPECTION DIMENSIONS | | |

ACR ELECTRONICS, INC
5757 RAVENSWOOD RD. FT. LAUDERDALE FL 33312

PAD LABEL, BOTTOM
 CASE, CE MARKING

| | | | |
|----------------------|---------------------------------|----------------------------------|-----------------|
| SIZE A | CODE IDENT. NO. 18560 | DRAWING NO. A1-20-1428 | REV A |
| SCALE NONE | | SHEET 1 OF 1 | |