

THIS DOCUMENT AND THE DATA DISCLOSED HEREIN OR HEREWITH IS PROPERTY OF AND BELONGS TO ACR ELECTRONICS, INC., FT. LAUDERDALE, FL. IT IS FURNISHED IN CONFIDENCE TO YOU FOR INFORMATIONAL PURPOSES. IT IS NOT TO BE REPRODUCED, USED OR DISCLOSED IN WHOLE OR IN PART TO ANYONE WITHOUT THE PERMISSION OF ACR.

4

3

18560

DRG. NO.

A1-18-1780-

SHT 1

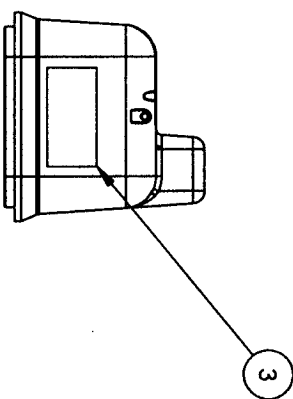
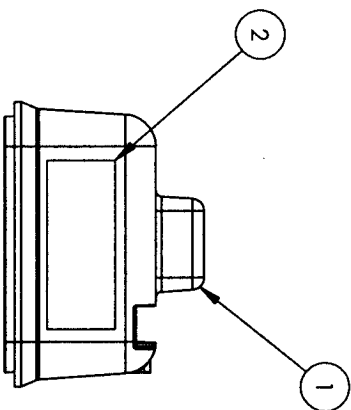
REV 1

1

REVISIONS				
ZONE	REV	DESCRIPTION	DATE	APPROVED

- NOTES:
1. ALL PAD PRINTED LOGOS AND LABELS MUST BE FREE OF SMEARS AND INK SKIPS.

2. ALL PRINTING MUST BE LOCATED IN AREA NOTED AND ALL LAYERS OF THE PRINTING MUST BE REGISTERED PROPERLY.



QTY	ITEM NO.	PART OR IDENTIFYING NO.	NOMENCLATURE OR DESCRIPTION	MATERIAL & SPECIFICATION
1	3	A1-20-1095	PAD LABEL, BEACON SERVICE	
1	2	A1-20-1095	PAD LABEL, OPERATION, RLB-35	
1	1	A1-18-1780	TOP CASE, RLB-35	

LIST OF MATERIALS OR PARTS LIST

UNLESS OTHERWISE SPECIFIED:
ALL ANGLES ARE 90°
DIMENSIONS ARE IN INCHES

TOLERANCES ON

FRACTIONS	DECIMALS	ANGLES
± 1/64	± .000	± 1/2°
.XX	± .010	
.XXX	± .005	

ISO DIMENSIONS

ACR ELECTRONICS, INC

5757 LAUDERDALE BL. FT. LAUDERDALE, FL 33412

CASE PRINTED,
TOP, RLB-35

DATE	M.P.	4/20/2001
CHECKED		
APPROVED		

THE	CUSTOMER NO.	18560	DRAWING NO.	A1-18-1780-	SHEET	1	OF	1
SCALE	1:2		REV	T1				

A

B

A

B

4

3

2

1