


APPENDIX 3

Assembly Drawings

FCC ID: B66-ACR-PLB100

Type acceptance under Part 95 Subpart K

ACR ELECTRONICS INC 5757 Ravenswood Road FT. Lauderdale Fl. (954) 981-3333	DRAWN. Bill Cox	DATE. 4/9/2003	<h2>Assembly Drawings PLB-100</h2>			
	CHECKED.	DATE.			DRAWING NO APPENDIX 3	
	ENG Bill Cox	DATE. 4/9/2003			REV A	
	APVD	DATE.				
	A	18560	Cover Sheet			

THIS DOCUMENT AND THE DATA INCORPORATED HEREIN ARE UNCLASSIFIED EXCEPT WHERE SHOWN OTHERWISE AND ARE IN THE PUBLIC DOMAIN. IT IS UNCLASSIFIED AND CONTROLLED BY THE NATIONAL ARCHIVES AND RECORDS ADMINISTRATION. FOR MORE INFORMATION CONTACT THE NATIONAL ARCHIVES AT COLLEGE PARK, MARYLAND 20740-6001 OR AT THE NATIONAL ARCHIVES AT COLLEGE PARK, MARYLAND 20740-6001.

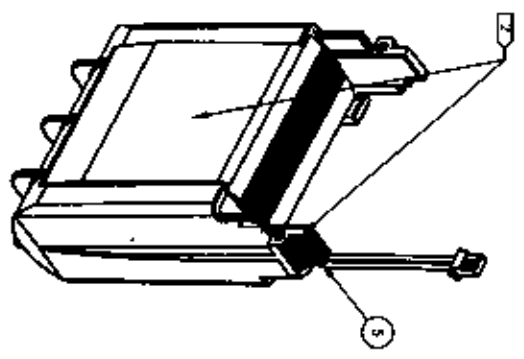
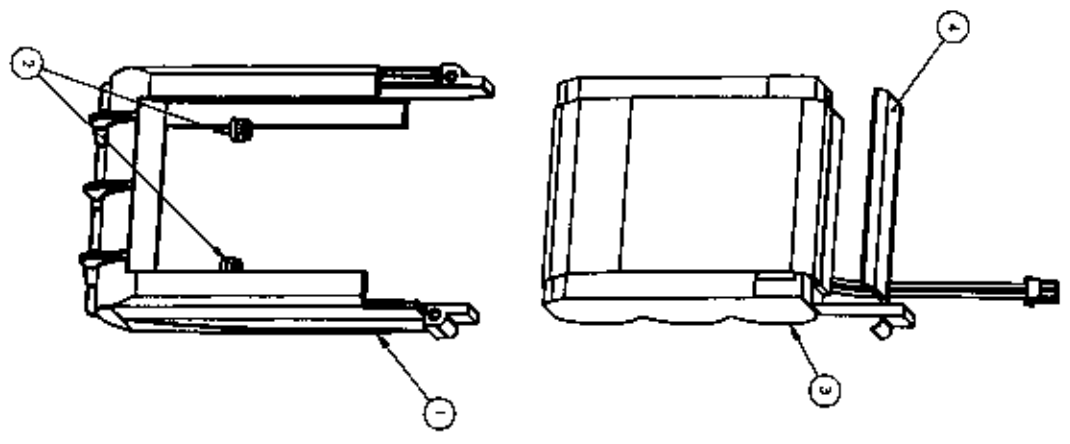
4

3

2

1

- NOTES:
1. HEAT INSERT, ITEM 2 BRASS INSERT FLUSH WITH SURFACE OR RECESSED 1/32" BELOW SURFACE OF CHASSIS; ITEM 11.
 2. ALIGN PCB SIDE OF BTRY ASSTY. (ITEM 2) WITH SINGLE STEP FACE ON CHASSIS (ITEM 1) AS SHOWN.

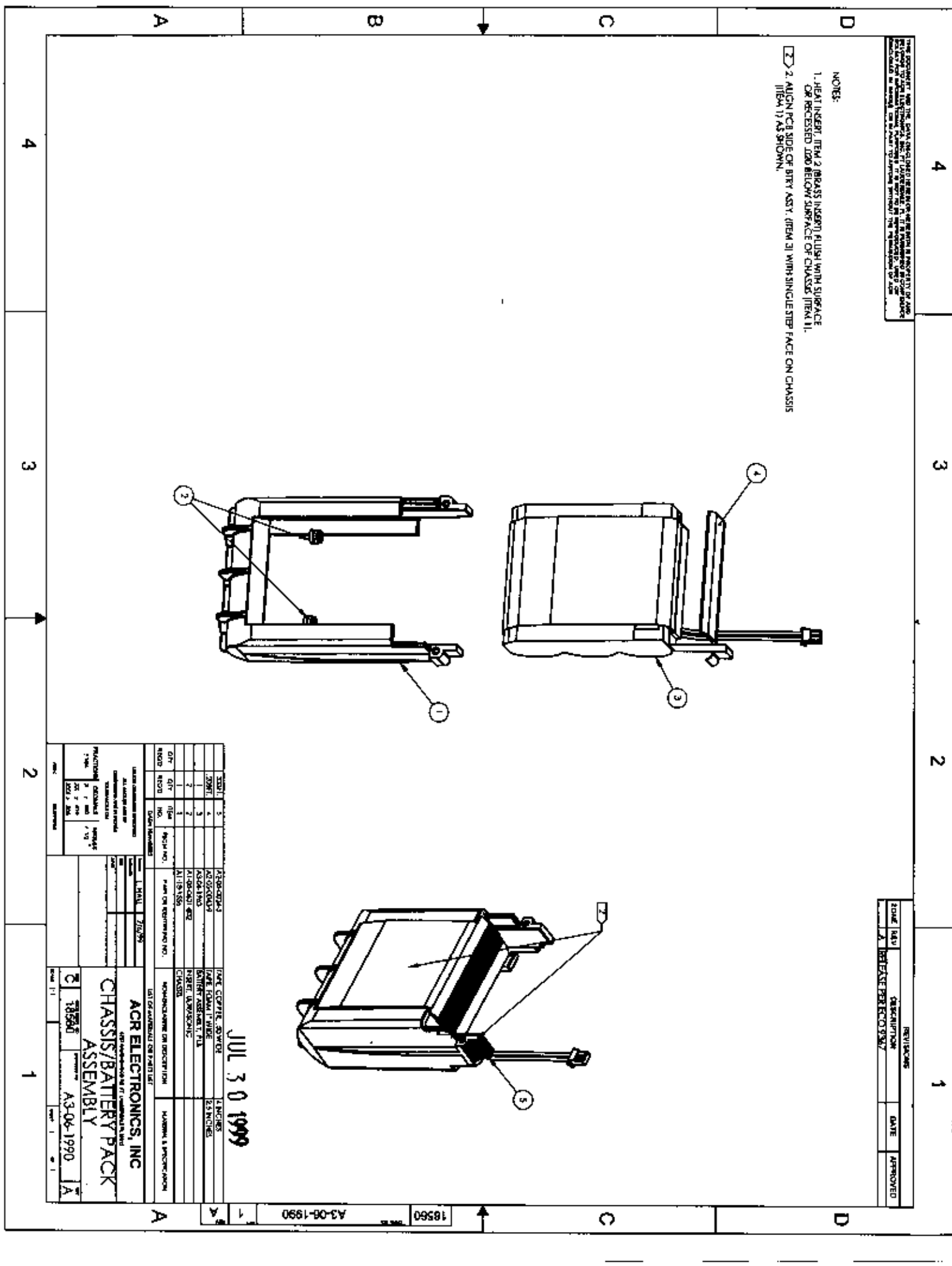


ZONE	REV	DESCRIPTION	DATE	APPROVED
1	1	BATTERY PER ECOSYS/7		

JUL 30 1999

REV	QTY	UNIT	DESCRIPTION	DATE
1	1	PCB	CHASSIS	
2	1	PCB	HEAT INSERT	
3	1	PCB	BRASS INSERT	
4	1	PCB	BATTERY ASSEMBLY	
5	1	PCB	TERMINAL	

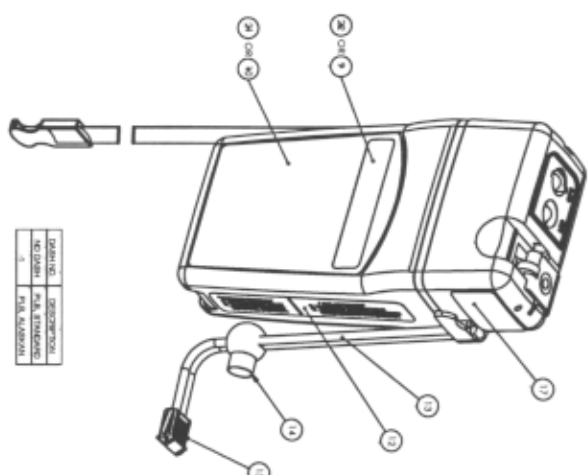
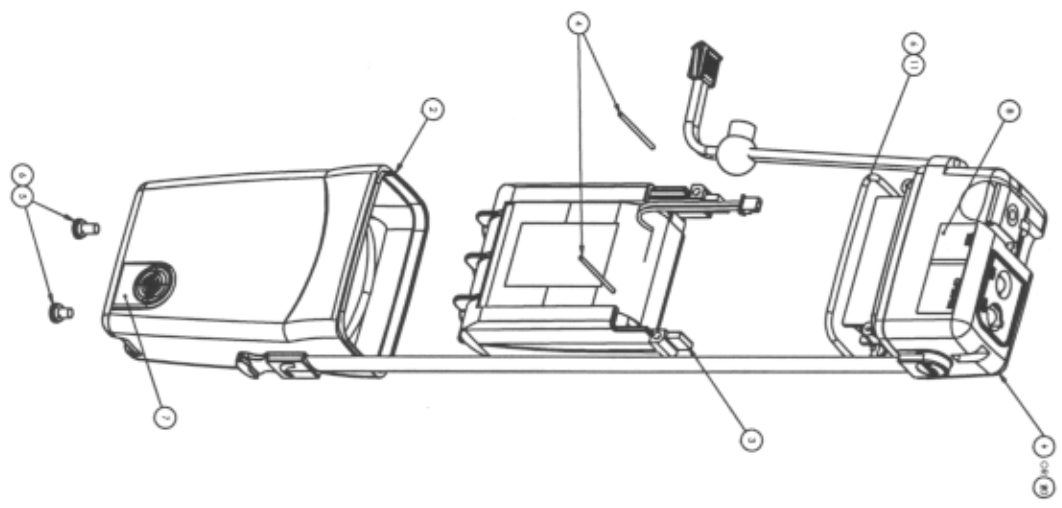
ACR ELECTRONICS, INC
 CHASSIS/BATTERY PACK ASSEMBLY
 DATE: 03-06-1990
 REV: 1



18560 A3-08-1990

NOT TO SCALE
 THIS DRAWING IS THE PROPERTY OF ACR ELECTRONICS, INC. AND IS NOT TO BE REPRODUCED OR TRANSMITTED IN ANY FORM OR BY ANY MEANS, ELECTRONIC OR MECHANICAL, INCLUDING PHOTOCOPIING, RECORDING, OR BY ANY INFORMATION STORAGE AND RETRIEVAL SYSTEM, WITHOUT THE WRITTEN PERMISSION OF ACR ELECTRONICS, INC.

- NOTE:
1. ALIGN HOLES IN CHASSIS ASST. ITEM 31 WITH HOLES IN B.I.C. ASST. ITEM 11 OR ITEM 201. THEN INSERT SCREW 7. ITEM 4 AND LOCK.
 2. ADJUST CONNECTION FROM REAR FACE ASST. ITEM 11 TO COIN 201. LOCKED ON THE COIN IN ELECTRONICS ASST. ITEM 11 OR ITEM 201.
 3. PLACE COIN (ITEM 11) AROUND TOP OF BOTTOM CASE ITEM 21. SCREW ITEM 21.
 4. REMOVE SCREWS ITEM 51 TO 3 SHUNTS.
 5. a) PLACE END OF LANYARD ITEM 12 THROUGH HOLES IN ELECTRONICS ASST. ITEM 11 OR ITEM 201.
 b) COIL LANYARD AROUND HOLES IN COIN.
 c) PLACE BOLT FROM COIN THROUGH HOLES IN ELECTRONICS ASST. ITEM 11 AND BOLT AND NUT.
 d) PLACE BOLT FROM COIN THROUGH HOLES FROM FROM FRONT OF BOTTOM CASE ITEM 21.
 6. PLACE END OF BOLT FROM COIN THROUGH HOLES FROM FRONT OF BOTTOM CASE ITEM 21 AND LOCK IN PLACE.
 7. ASSEMBLY COMPLETE. FINAL ANTENNA AROUND BOTTOM CASE AND LOCK IN PLACE.
 8. TOTAL WEIGHT OF UNIT: 5224.10 GRAMS MAX.
 9. HANDLE TEST SHEET PER 11-02-0244.
 10. PERFORM FINAL TEST PER 11-02-0203.
 11. PERFORM MECHANICAL LABEL FINISHING PER 11-02-0288.



OPERATING
 MECHANICAL
 PARTS LIST
 FROM DRAWING

QTY	ITEM	DESCRIPTION	REVISION
1	1	FRONT PANEL (I.C. CONTROL)	1
1	2	TOP COVER (I.C. CONTROL)	1
1	3	CHASSIS (I.C. CONTROL)	1
1	4	BACK COVER (I.C. CONTROL)	1
1	5	SCREW	1
1	6	ANTENNA ASSEMBLY (I.C. CONTROL)	1
1	7	COIN	1
1	8	COIN HOLDER	1
1	9	COIN	1
1	10	COIN	1
1	11	COIN	1

REV	DATE	DESCRIPTION
1		INITIAL RELEASE/REVISION
2		REVISION
3		REVISION
4		REVISION
5		REVISION
6		REVISION
7		REVISION
8		REVISION
9		REVISION
10		REVISION
11		REVISION

ITEM NO.	DESCRIPTION	QUANTITY	REVISION
1	FRONT PANEL (I.C. CONTROL)	1	1
2	TOP COVER (I.C. CONTROL)	1	1
3	CHASSIS (I.C. CONTROL)	1	1
4	BACK COVER (I.C. CONTROL)	1	1
5	SCREW	1	1
6	ANTENNA ASSEMBLY (I.C. CONTROL)	1	1
7	COIN	1	1
8	COIN HOLDER	1	1
9	COIN	1	1
10	COIN	1	1
11	COIN	1	1

ACR ELECTRONICS, INC.
 2475 HUNTER ROAD, SUITE 100
 LONG BEACH, CA 90801-1077

FINAL ASSEMBLY
 18560 A3-06-1961-F
 ACR ELECTRONICS, INC.

