

8

7

6

5

4

3

18560

DWG. NO.

1

REV

1

THIS DOCUMENT AND THE DATA DISCLOSED HEREIN OR HERewith IS PROPERTY OF AND BELONGS TO ACR ELECTRONICS, INC. FT LAUDERDALE, FL. IT IS FURNISHED IN CONFIDENCE SOLELY FOR INFORMATIONAL PURPOSES. IT IS NOT TO BE REPRODUCED, USED OR DISCLOSED IN WHOLE OR IN PART TO ANYONE WITHOUT THE PERMISSION OF ACR.

REVISIONS

ZONE	REV	DESCRIPTION	DATE	APPROVED

D

D

C

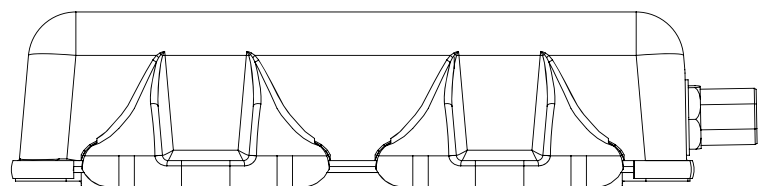
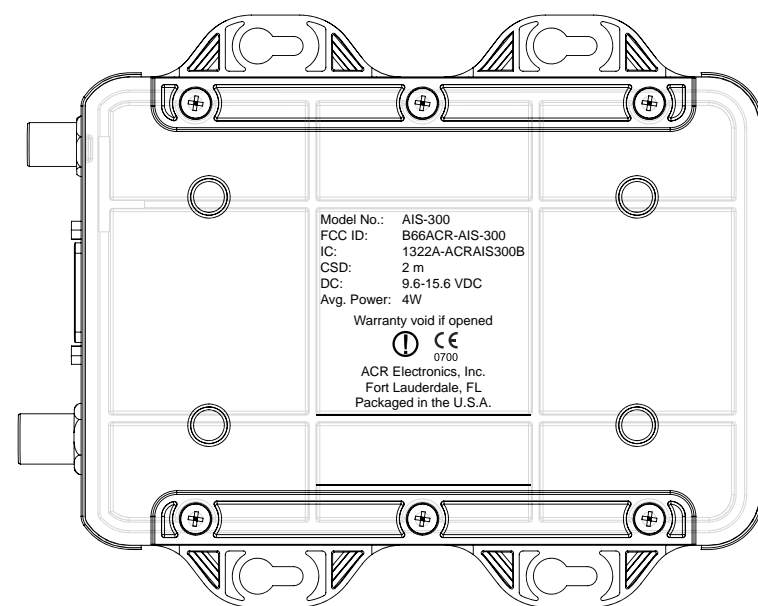
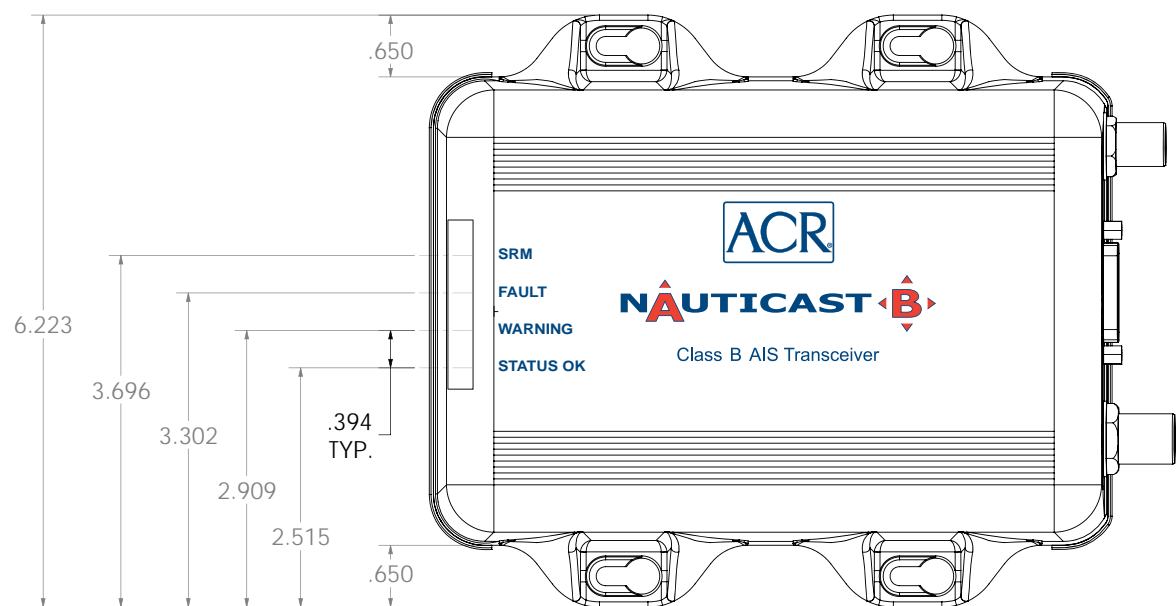
C

B

B

A

A



<p>UNLESS OTHERWISE SPECIFIED: ALL ANGLES ARE 90° DIMENSIONS ARE IN INCHES</p>		<p>DRAWN: _____ CHECKED: _____ ENG: _____ APVD: _____</p>		<p>LIST OF MATERIALS OR PARTS LIST</p>							
<p>TOLERANCES ON</p> <table border="1"> <thead> <tr> <th>FRACTIONS</th> <th>DECIMALS</th> <th>ANGLES</th> </tr> </thead> <tbody> <tr> <td>±1/64</td> <td>.X ± .030 .XX ± .010 .XXX ± .005</td> <td>X ± 5° .X ± 2° .XX ± 1° .XXX ± 1/2° IMPLIED: ±1°</td> </tr> </tbody> </table>		FRACTIONS	DECIMALS	ANGLES	±1/64	.X ± .030 .XX ± .010 .XXX ± .005	X ± 5° .X ± 2° .XX ± 1° .XXX ± 1/2° IMPLIED: ±1°	<p>○ DENOTES REVISION CHANGE ⊕ DENOTES DIMENSION PLUS DRAFT ANGLE ⊖ DENOTES DIMENSION MINUS DRAFT ANGLE ⓧ DENOTES REFERENCE NOTE OR DIMENSION ⓧⓧ DENOTES CRITICAL INSPECTION DIMENSIONS</p>		<p>ACR ELECTRONICS, INC 5757 RAVENSWOOD RD. FT. LAUDERDALE FL 33312</p>	
FRACTIONS	DECIMALS	ANGLES									
±1/64	.X ± .030 .XX ± .010 .XXX ± .005	X ± 5° .X ± 2° .XX ± 1° .XXX ± 1/2° IMPLIED: ±1°									
<p>SIZE: D</p>		<p>CODE IDENT. NO.: 18560</p>		<p>DRAWING NO.: _____</p>							
<p>SCALE: 1:1</p>		<p>SHEET 1 OF 2</p>		<p>REV: _____</p>							

8

7

6

5

4

3

2

1