

REV A  
SHT 1

DWG. NO. A1-20-0975

18560

THIS DOCUMENT AND THE DATA DISCLOSED HEREIN OR HEREWITH IS PROPERTY OF AND BELONGS TO ACR ELECTRONICS, INC. FT LAUDERDALE, FL. IT IS FURNISHED IN CONFIDENCE SOLELY FOR INFORMATIONAL PURPOSES. IT IS NOT TO BE REPRODUCED, USED OR DISCLOSED IN WHOLE OR IN PART TO ANYONE WITHOUT THE PERMISSION OF ACR.

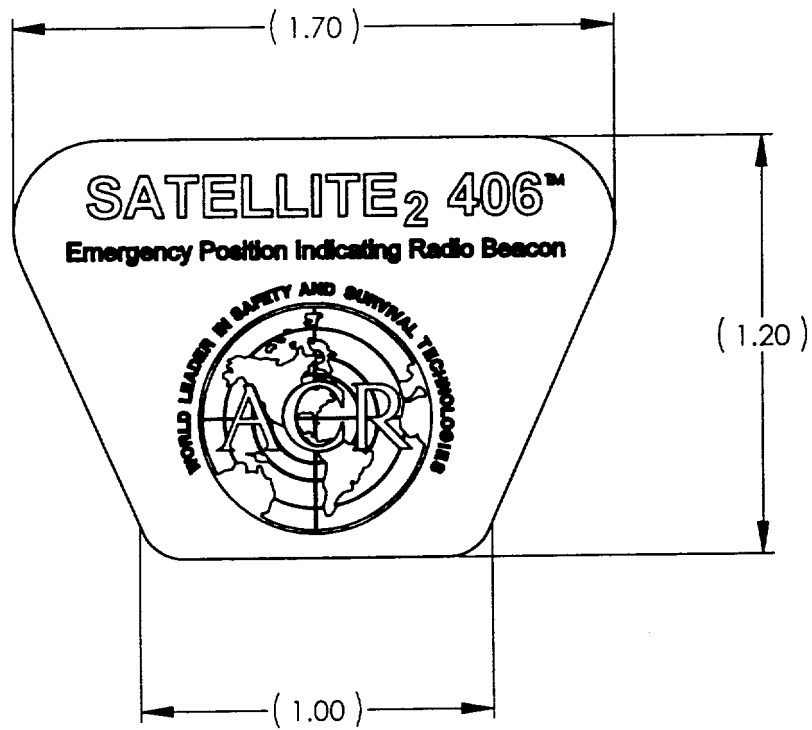
REVISIONS

ZONE	REV	DESCRIPTION	DATE	APPROVED
	A	RELEASE PER ECO 9306	4/15/99	T. Martin

ITEM NO.	QTY REQ'D	FSCM NO.	PART OR IDENTIFYING NO.	NOMENCLATURE OR DESCRIPTION	MATERIAL & SPECIFICATION												
<p>UNLESS OTHERWISE SPECIFIED ALL ANGLES ARE 90° DIMENSIONS ARE IN INCHES TOLERANCES ON</p> <table border="1"> <tr> <td>FRACTIONS</td> <td>DECIMALS</td> <td>ANGLES</td> </tr> <tr> <td>±1/64</td> <td>.X ± .030</td> <td>± 1/2 °</td> </tr> <tr> <td></td> <td>.XX ± .010</td> <td></td> </tr> <tr> <td></td> <td>.XXX ± .005</td> <td></td> </tr> </table>			FRACTIONS	DECIMALS	ANGLES	±1/64	.X ± .030	± 1/2 °		.XX ± .010			.XXX ± .005		<p>DRAWN L. HALL 2/24/99 CHECKED T.M. 4/15/99 ENG RCH 4/16/99 APVD MW 4-16-99</p>	<p>ACR ELECTRONICS, INC 5757 RAVENSWOOD RD. FT. LAUDERDALE FL 33312 <b>LABEL, SATELLITE 2 ENCAPSULATED LOGO</b></p>	
FRACTIONS	DECIMALS	ANGLES															
±1/64	.X ± .030	± 1/2 °															
	.XX ± .010																
	.XXX ± .005																
ANSI-A SOLIDWORKS			SIZE A	CODE IDENT. NO. 18560	DRAWING NO. A1-20-0975												
			SCALE 2/1	SHEET 1	OF 2												

NOTES:

1. MATERIAL: 2.0 MIL POLYESTER (BRIGHT SILVER) WITH HI-STRENGTH ACRYLIC BACKING (3M #300). ENCAPSULATED IN POLYURETHANE.
2. COLOR:  
 BACKGROUND - SILVER  
 TEXT & LOGO - PANTONE BLUE (No. 282)
3. IDENTIFY BULK PACKAGING WITH ACR PART NUMBER.
4. FOR LABEL DESIGN AND ARTWORK, SEE ENGINEERING SAMPLE.



SIZE A	CODE IDENT. NO. 18560	DRAWING NO. A1-20-0975	REV A
SCALE 2/1		SHEET 2	of 2

REV A  
 DWG. NO. 18560  
 PART 1  
 A1-20-0976

THIS DOCUMENT AND THE DATA DISCLOSED  
 HEREIN OR HEREWITH IS PROPERTY OF AND  
 BELONGS TO ACR ELECTRONICS, INC. FT  
 LAUDERDALE, FL. IT IS FURNISHED IN  
 CONFIDENCE SOLELY FOR INFORMATIONAL  
 PURPOSES. IT IS NOT TO BE REPRODUCED,  
 USED OR DISCLOSED IN WHOLE OR IN PART  
 TO ANYONE WITHOUT THE PERMISSION OF ACR.

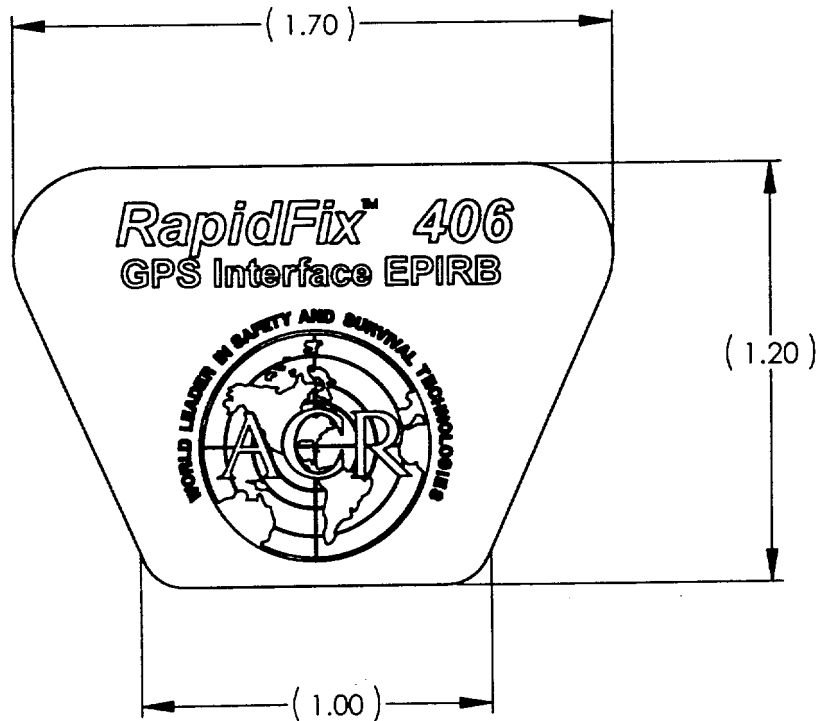
REVISIONS

ZONE	REV	DESCRIPTION	DATE	APPROVED
	A	RELEASE PER ECO 9306	4/15/99	T. Martin

ITEM NO.	QTY REQ'D	FSCM NO.	PART OR IDENTIFYING NO.	NOMENCLATURE OR DESCRIPTION	MATERIAL & SPECIFICATION
UNLESS OTHERWISE SPECIFIED ALL ANGLES ARE 90° DIMENSIONS ARE IN INCHES TOLERANCES ON FRACTIONS DECIMALS ANGLES ±1/64 .X ± .030 ± 1/2 ° .XX ± .010 .XXX ± .005			DRAWN L. HALL 2/24/99 CHECKED TM. 4/15/99 ENG. RCH 4/16/99 APVD. MW 4-16-99	ACR ELECTRONICS, INC 5757 RAVENSWOOD RD. FT. LAUDERDALE FL 33312 <b>LABEL, RAPIDFIX,            ENCAPSULATED LOGO</b>	
ANSI-A SOLIDWORKS			SIZE A CODE IDENT. NO. 18560 SCALE 2/1	DRAWING NO. A1-20-0976 SHEET 1 of 2	REV A

NOTES:

1. MATERIAL: 2.0 MIL POLYESTER (BRIGHT SILVER) WITH HI-STRENGTH ACRYLIC BACKING (3M #300). ENCAPSULATED IN POLYURETHANE.
2. COLOR:  
 BACKGROUND - PANTONE BLUE (No. 282)  
 TEXT & LOGO - GOLD
3. IDENTIFY BULK PACKAGING WITH ACR PART NUMBER.
4. FOR LABEL DESIGN AND ARTWORK, SEE ENGINEERING SAMPLE.



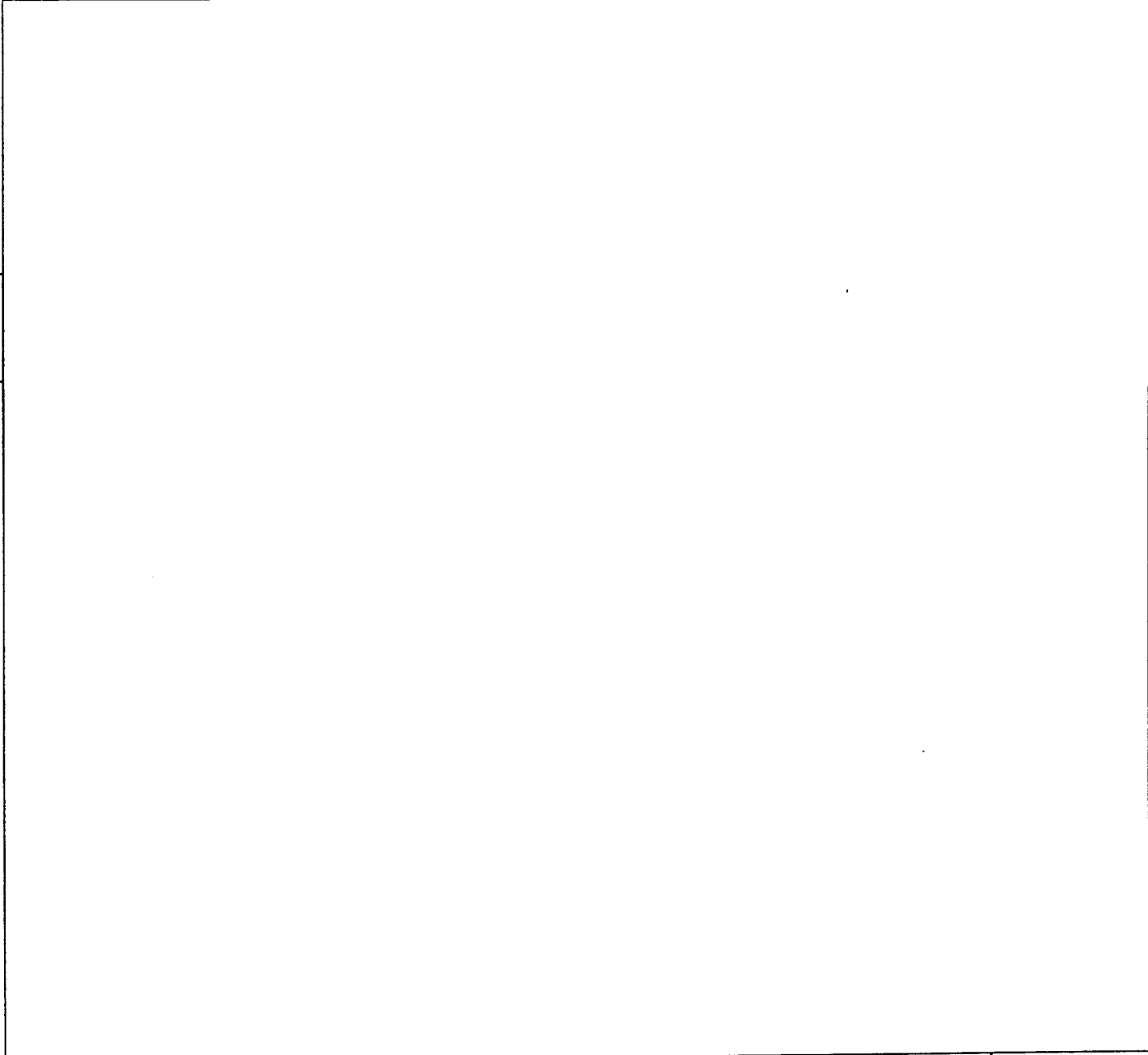
SIZE A	CODE IDENT. NO. 18560	DRAWING NO. A1-20-0976	REV A
SCALE 2/1		SHEET 2	OF 2

18560 DWG. NO. A1-20-0978

REV 1 A

THIS DOCUMENT AND THE DATA DISCLOSED HEREIN OR HEREWITH IS PROPERTY OF AND BELONGS TO ACR ELECTRONICS, INC. FT LAUDERDALE, FL. IT IS FURNISHED IN CONFIDENCE SOLELY FOR INFORMATIONAL PURPOSES. IT IS NOT TO BE REPRODUCED, USED OR DISCLOSED IN WHOLE OR IN PART TO ANYONE WITHOUT THE PERMISSION OF ACR.

REVISIONS				
ZONE	REV	DESCRIPTION	DATE	APPROVED
	A	RELEASED PER ECO 9331	4/14/99	T. Martin



ITEM NO.	QTY REQD	PICM NO	PART OR IDENTIFYING NO.	NOMENCLATURE OR DESCRIPTION	MATERIAL & SPECIFICATION	
UNLESS OTHERWISE SPECIFIED ALL ANGLES ARE 90° DIMENSIONS ARE IN INCHES TOLERANCES ON FRACTIONS    DECIMALS    ANGLES ± 1/64    X ± .030    ± 1/2 ° XX ± .010 XXX ± .005 ANS-B    SOLIDWORKS			DRAWN JHA 3/18/99	<b>ACR ELECTRONICS, INC</b> 5757 RAVENSWOOD RD. FT. LAUDERDALE FL 33312 <b>ILLUSTRATION,</b> <b>SWITCH ACTIVATION</b>		
			CHECKED <i>TM</i> 4/14/99			
			ENG. JHA 3/18/99			
			APVD. <i>JM</i> 4-14-99 <i>RCH</i> 5-15-99			
			SIZE A	CODE IDENT. NO. 18560	DRAWING NO. A1-20-0978	REV A
			SCALE N/A	SHEET 1 OF 3		

18560 DWG. NO. A1-20-0978 SH 1 REV A

# Art Proof

Graphic Printing Corp.  
Boca Raton, Fl

(561) 994-3586  
Fax: (561) 998-7665

To: SEITZ

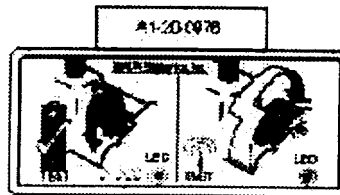
Attn:

Date: 2-16-99

Please examine the attached artwork and fax back your approval or changes.

Part No.: A1-20-0978  
P.O. #

2.00 X .878 .0468 RADIUS.



**NOT TO SCALE**

SIZE A	CODE IDENT. NO. 18560	DRAWING NO. A1-20-0978	REV A
SCALE N/A		SHEET 2	of 3

18560 DWG. NO. A1-20-0978 SH 3 REV A

NOTES:

1. MATERIAL: .004 THICK, CLEAR POLYESTER  
#467 ADHESIVE BACKED, WITH LINER.
2. COLOR: BACKGROUND - CLEAR BACKGROUND  
GRAPHICS/TEXT - PMS 282C (BLUE), PMS 185 (RED), PMS 355 (GREEN)
3. FOR LABEL DESIGN, SEE ENGINEERING SAMPLE.
4. MARK BULK PACKAGING WITH ACR PART NUMBER.

SIZE A	CODE IDENT. NO. 18560	DRAWING NO. A1-20-0978	REV A
SCALE N/A		SHEET 3	OF 3

18560 DWG. NO. A1-20-0979

REV 1 A

THIS DOCUMENT AND THE DATA DISCLOSED HEREIN OR HEREWITH IS PROPERTY OF AND BELONGS TO ACR ELECTRONICS, INC. FT LAUDERDALE, FL. IT IS FURNISHED IN CONFIDENCE SOLELY FOR INFORMATIONAL PURPOSES. IT IS NOT TO BE REPRODUCED, USED OR DISCLOSED IN WHOLE OR IN PART TO ANYONE WITHOUT THE PERMISSION OF ACR.

REVISIONS				
ZONE	REV	DESCRIPTION	DATE	APPROVED
	A	RELEASED PER ECO 9331	4/14/99	T. Martin

ITEM NO.	QTY REQ'D	PRCM NO	PART OR IDENTIFYING NO.	NOMENCLATURE OR DESCRIPTION	MATERIAL & SPECIFICATION												
<p>UNLESS OTHERWISE SPECIFIED ALL ANGLES ARE 90° DIMENSIONS ARE IN INCHES TOLERANCES ON</p> <table border="1"> <tr> <th>FRACTIONS</th> <th>DECIMALS</th> <th>ANGLES</th> </tr> <tr> <td>± 1/64</td> <td>X ± .030</td> <td>± 1/2 °</td> </tr> <tr> <td></td> <td>.XX ± .010</td> <td></td> </tr> <tr> <td></td> <td>.XXX ± .005</td> <td></td> </tr> </table>			FRACTIONS	DECIMALS	ANGLES	± 1/64	X ± .030	± 1/2 °		.XX ± .010			.XXX ± .005		<p>DRAWN JHA 3/18/99</p> <p>CHECKED <i>TM</i> 4/14/99</p> <p>ENG. JHA 3/18/99</p> <p>APVD. <i>JHA</i> 4-14-99</p> <p><i>RECT 4-15-99</i></p>	<p><b>ACR ELECTRONICS, INC</b> 5757 RAVENSWOOD RD. FT. LAUDERDALE FL 33312</p> <p><b>LABEL, BATTERY INFORMATION</b></p>	
FRACTIONS	DECIMALS	ANGLES															
± 1/64	X ± .030	± 1/2 °															
	.XX ± .010																
	.XXX ± .005																
ANSI-B SOLIDWORKS		SIZE A	CODE IDENT. NO. 18560	DRAWING NO. A1-20-0979	REV A												
		SCALE 1	SHEET 1		of 3												



# ART PROOF

Graphic Printing Corp. Boca Raton, FL 561-994-3586 FAX: 561-994-1728

TO: SEITZ

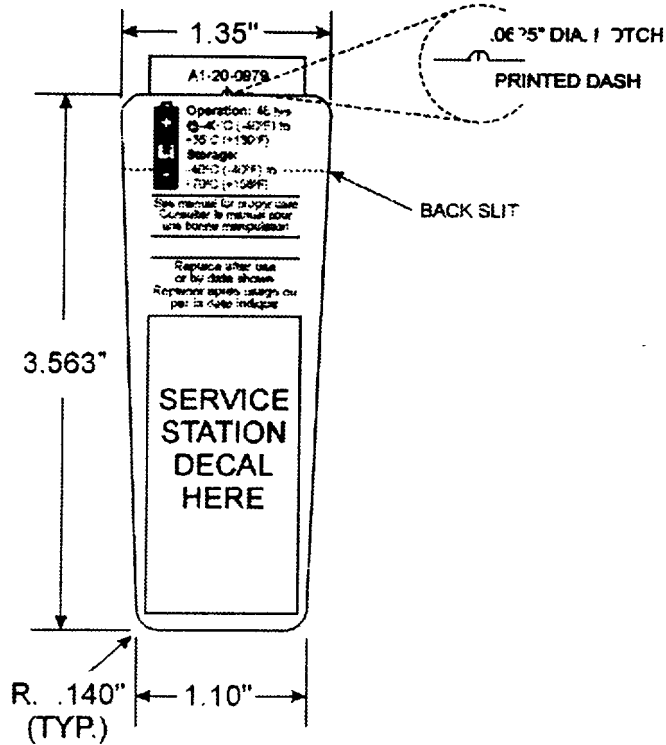
ATTN: LAURA

DATE: 2.25.99

Please examine the attached artwork and fax back your approval or changes

PN: A1-20-0979 PO: MATERIAL: .004 CLEAR POLYESTER W/467 ADH.

## PMS 282C TEXT & GRAPHICS ON CLEAR BACKGROUND



**NOT TO SCALE**

SIZE A	CODE IDENT. NO. 18560	DRAWING NO. A1-20-0979	REV A
SCALE 1		SHEET 2	OF 3

18560 DWG. NO. A1-20-0979 SH 3 REV A

NOTES:

- 1. MATERIAL: .004 THICK, CLEAR POLYESTER,  
#467 ADHESIVE BACKED, WITH LINER.
- 2. COLOR: BACKGROUND - CLEAR  
GRAPHICS/TEXT - PMS 282C (BLUE)
- 3. FOR LABEL DESIGN, SEE ENGINEERING SAMPLE.
- 4. MARK BULK PACKAGING WITH ACR PART NUMBER.

SIZE A	CODE IDENT. NO. 18560	DRAWING NO. A1-20-0979	REV A
SCALE 1		SHEET 3	of 3

REV  
SHT 1 A

DWG. NO. 18560 A1-20-0980

THIS DOCUMENT AND THE DATA DISCLOSED  
HEREIN OR HEREWITH IS PROPERTY OF AND  
BELONGS TO ACR ELECTRONICS, INC. FT  
LAUDERDALE, FL. IT IS FURNISHED IN  
CONFIDENCE SOLELY FOR INFORMATIONAL  
PURPOSES. IT IS NOT TO BE REPRODUCED,  
USED OR DISCLOSED IN WHOLE OR IN PART  
TO ANYONE WITHOUT THE PERMISSION OF ACR

REVISIONS

ZONE	REV	DESCRIPTION	DATE	APPROVED
	A	RELEASED PER ECO 9331	4/14/99	T. Martin

ITEM NO.	QTY REQD	PFCM NO	PART OR IDENTIFYING NO.	NOMENCLATURE OR DESCRIPTION	MATERIAL & SPECIFICATION
UNLESS OTHERWISE SPECIFIED ALL ANGLES ARE 90° DIMENSIONS ARE IN INCHES TOLERANCES ON			DRAWN JHA 3/18/99 CHECKED TM 4/14/99 ENR. JHA 3/18/99 APPD. JAY 4-14-99 RCH 4-15-99	ACR ELECTRONICS, INC 5757 RAVENSWOOD RD. FT. LAUDERDALE FL 33312 <b>LABEL, WARNING</b>	
FRACTIONS ± 1/64	DECIMALS X ± .030 XX ± .010 XXX ± .005	ANGLES ± 1/2 °	SIZE A	CODE IDENT. NO. 18560	DRAWING NO. A1-20-0980
ANSI-8 SOLIDWORKS			SCALE 1	SHEET 1 of 3	

18560 DWG. NO. A1-20-0980 SH 1 REV A

# ART PROOF

Graphic Printing Corp. Boca Raton, FL 561-994-3586 FAX: 561-994-1728

TO: SEITZ

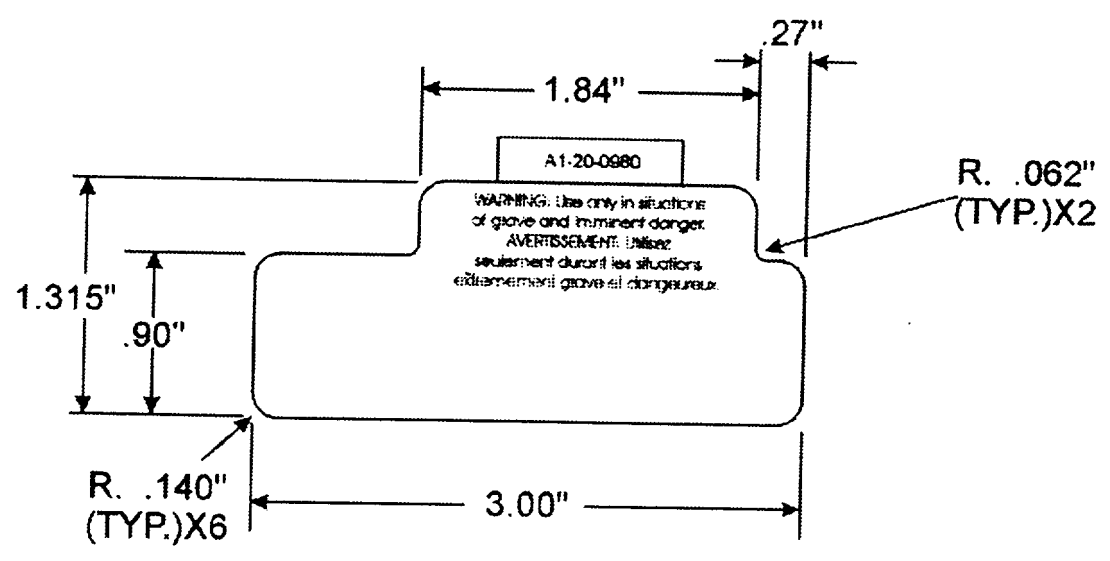
ATTN: LAURA

DATE: 2.25.99

Please examine the attached artwork and fax back your approval or changes

PN: A1-20-0980 PO: MATERIAL: .004 CLEAR POLYESTER W/467 ADH.

PMS 282C TEXT & GRAPHICS ON CLEAR BACKGROUND



**NOT TO SCALE**

SIZE A	CODE IDENT. NO. 18560	DRAWING NO. A1-20-0980	REV A
SCALE 1		SHEET 2	of 3

18560 DWG NO. A1-20-0980 SH 3 REV A

NOTES:

1. MATERIAL: .004 THICK, CLEAR POLYESTER,  
#467 ADHESIVE BACKED, WITH LINER.
2. COLOR: BACKGROUND - CLEAR  
GRAPHICS/TEXT - PMS 282C (BLUE)
3. FOR LABEL DESIGN, SEE ENGINEERING SAMPLE.
4. MARK BULK PACKAGING WITH ACR PART NUMBER.

SIZE A	CODE IDENT. NO. 18560	DRAWING NO. A1-20-0980	REV A
SCALE 1		SHEET 3	OF 3

REV  
1  
A

DWG NO. A1-20-0981-1

THIS DOCUMENT AND THE DATA DISCLOSED  
HEREIN OR HEREWITH IS PROPERTY OF AND  
BELONGS TO ACR ELECTRONICS, INC. FT  
LAUDERDALE, FL. IT IS FURNISHED IN  
CONFIDENCE SOLELY FOR INFORMATIONAL  
PURPOSES. IT IS NOT TO BE REPRODUCED,  
USED OR DISCLOSED IN WHOLE OR IN PART  
TO ANYONE WITHOUT THE PERMISSION OF ACR

REVISIONS				
ZONE	REV	DESCRIPTION	DATE	APPROVED
	A	RELEASED PER ECO 9331	4/14/99	T. Martin



ITEM NO.	QTY REQD	FORM NO	PART OR IDENTIFYING NO.	NOMENCLATURE OR DESCRIPTION	MATERIAL & SPECIFICATION												
<p>UNLESS OTHERWISE SPECIFIED ALL ANGLES ARE 90° DIMENSIONS ARE IN INCHES TOLERANCES ON</p> <table border="1"> <tr> <th>FRACTIONS</th> <th>DECIMALS</th> <th>ANGLES</th> </tr> <tr> <td>± 1/64</td> <td>X ± .030</td> <td>± 1/2 °</td> </tr> <tr> <td></td> <td>.XX ± .010</td> <td></td> </tr> <tr> <td></td> <td>.XXX ± .005</td> <td></td> </tr> </table>			FRACTIONS	DECIMALS	ANGLES	± 1/64	X ± .030	± 1/2 °		.XX ± .010			.XXX ± .005		<p>DRAWN JHA 3/18/99 CHECKED TM 4/14/99 ENG. JHA 3/18/99 APVD. <i>JM</i> 4-14-99 RCB 4-15-99</p>	<p>ACR ELECTRONICS, INC 5757 RAVENSWOOD RD. FT. LAUDERDALE FL 33312 <b>LABEL, FCC ID, CAT 1 (2774)</b></p>	
FRACTIONS	DECIMALS	ANGLES															
± 1/64	X ± .030	± 1/2 °															
	.XX ± .010																
	.XXX ± .005																
ANSI-B SOLIDWORKS		SIZE A	CODE IDENT. NO. 18560	DRAWING NO. A1-20-0981-1	REV A												
		SCALE 1		SHEET 1	OF 3												

18560 DWG. NO. A1-20-0981-1 SH. 1 REV. A

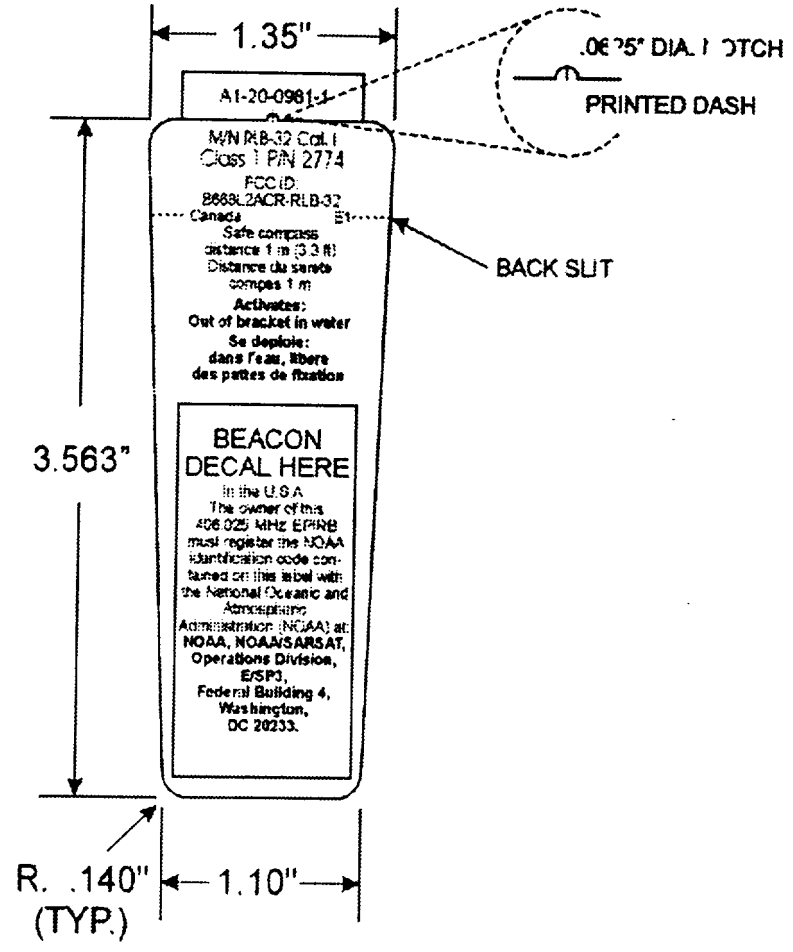
# ART PROOF

Graphic Printing Corp. Boca Raton, FL 561-994-3586 FAX: 561-994-1728

TO: SEITZ                      ATTN: LAURA                      DATE: 2.25.99  
Please examine the attached artwork and fax back your approval or changes

PN: A1-20-0981-1    PO: MATERIAL: .004 CLEAR POLYESTER W/467 ADH.

## PMS 282C TEXT & GRAPHICS ON CLEAR BACKGROUND



**NOT TO SCALE**

SIZE A	CODE IDENT. NO. 18560	DRAWING NO. A1-20-0981-1	REV A
SCALE 1		SHEET 2	of 3

18560 DWG. NO. A1-20-0981-1 SH 3 REV A

NOTES:

1. MATERIAL: .004 THICK, CLEAR POLYESTER,  
#467 ADHESIVE BACKED, WITH LINER.
2. COLOR: BACKGROUND - CLEAR  
GRAPHICS/TEXT - PMS 282C (BLUE)
3. FOR LABEL DESIGN, SEE ENGINEERING SAMPLE.
4. MARK BULK PACKAGING WITH ACR PART NUMBER.

SIZE A	CODE IDENT. NO. 18560	DRAWING NO. A1-20-0981-1	REV A
SCALE 1		SHEET 3	OF 3



18560 DWG. NO. A1-20-0981-2

REV 1 A

THIS DOCUMENT AND THE DATA DISCLOSED HEREIN OR HEREWITH IS PROPERTY OF AND BELONGS TO ACR ELECTRONICS, INC. FT LAUDERDALE, FL. IT IS FURNISHED IN CONFIDENCE SOLELY FOR INFORMATIONAL PURPOSES. IT IS NOT TO BE REPRODUCED, USED OR DISCLOSED IN WHOLE OR IN PART TO ANYONE WITHOUT THE PERMISSION OF ACR

REVISIONS				
ZONE	REV	DESCRIPTION	DATE	APPROVED
	A	RELEASED PER ECO 9331	4/14/99	T. Martin

ITEM NO.	QTY REQD	PSCM NO	PART OR IDENTIFYING NO.	NOMENCLATURE OR DESCRIPTION	MATERIAL & SPECIFICATION												
<p>UNLESS OTHERWISE SPECIFIED ALL ANGLES ARE 90° DIMENSIONS ARE IN INCHES TOLERANCES ON</p> <table border="1"> <tr> <th>FRACTIONS</th> <th>DECIMALS</th> <th>ANGLES</th> </tr> <tr> <td>± 1/64</td> <td>.X ± .030</td> <td>± 1/2 °</td> </tr> <tr> <td></td> <td>.XX ± .010</td> <td></td> </tr> <tr> <td></td> <td>.XXX ± .005</td> <td></td> </tr> </table>			FRACTIONS	DECIMALS	ANGLES	± 1/64	.X ± .030	± 1/2 °		.XX ± .010			.XXX ± .005		<p>DRAWN JHA 3/18/99          CHECKED <i>JJA</i> 4/14/99          ENG. JHA 3/18/99          APVD. <i>JJA</i> 4-14-99  <i>RCH</i> 4-15-99</p>	<p><b>ACR ELECTRONICS, INC</b>          5757 RAVENSWOOD RD. FT. LAUDERDALE FL 33312  <b>LABEL, FCC ID, CAT 2</b>  <b>(2775)</b></p>	
FRACTIONS	DECIMALS	ANGLES															
± 1/64	.X ± .030	± 1/2 °															
	.XX ± .010																
	.XXX ± .005																
ANSI-S SOLIDWORKS			SIZE A	CODE IDENT. NO. 18560	DRAWING NO. A1-20-0981-2	REV A											
			SCALE 1	SHEET 1 OF 3													

18560 DWG. NO. A1-20-0981-2 SH 1 REV A

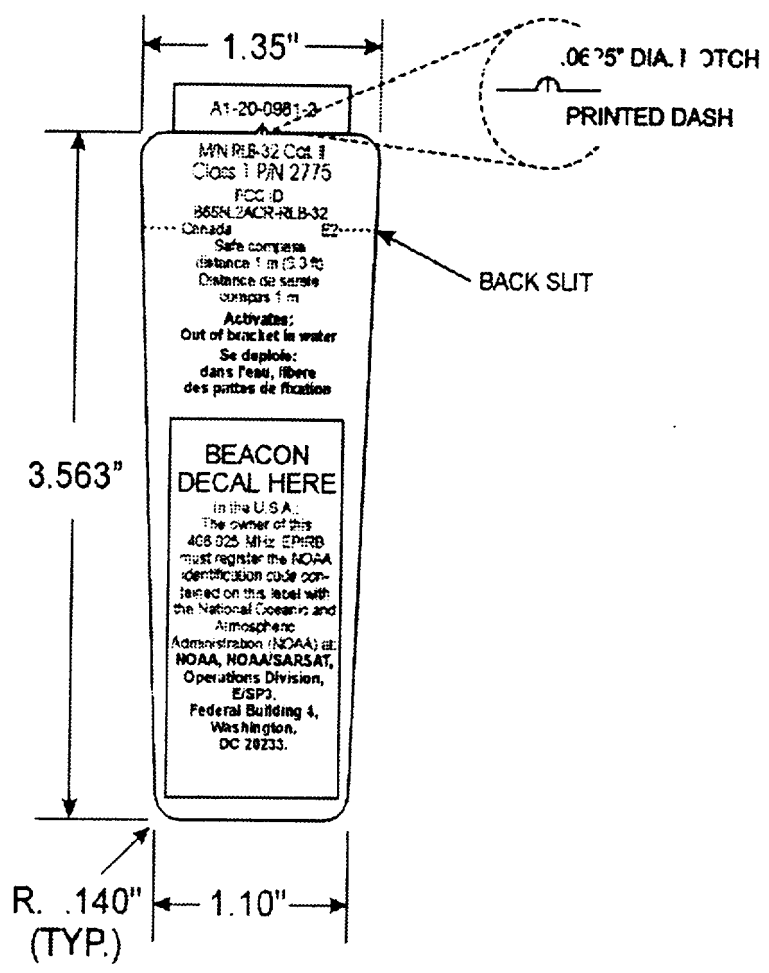
# ART PROOF

Graphic Printing Corp. Boca Raton, FL 561-994-3586 FAX: 561-994-1728

TO: SEITZ                      ATTN: LAURA                      DATE: 2.25.99  
**Please examine the attached artwork and fax back your approval or changes**

PN: A1-20-0981-2    PO:    MATERIAL: .004 POLYESTER W/467 ADH.

## PMS 282C TEXT & GRAPHICS ON CLEAR BACKGROUND



**NOT TO SCALE**

SIZE A	CODE IDENT. NO. 18560	DRAWING NO. A1-20-0981-2	REV A
SCALE 1		SHEET 2	of 3

18560 DWG. NO. A1-20-0981-2 SH 3 REV A

NOTES:

- 1. MATERIAL: .004 THICK, CLEAR POLYESTER,  
#467 ADHESIVE BACKED, WITH LINER.
- 2. COLOR: BACKGROUND - CLEAR  
GRAPHICS/TEXT - PMS 282C (BLUE)
- 3. FOR LABEL DESIGN, SEE ENGINEERING SAMPLE.
- 4. MARK BULK PACKAGING WITH ACR PART NUMBER.

SIZE A	CODE IDENT. NO. 18560	DRAWING NO. A1-20-0981-2	REV A
SCALE 1		SHEET 3	OF 3

18560 DWG. NO. A1-20-0981-3

REV 1 A

THIS DOCUMENT AND THE DATA DISCLOSED HEREIN OR HEREWITH IS PROPERTY OF AND BELONGS TO ACR ELECTRONICS, INC. FT LAUDERDALE, FL. IT IS FURNISHED IN CONFIDENCE SOLELY FOR INFORMATIONAL PURPOSES. IT IS NOT TO BE REPRODUCED, USED OR DISCLOSED IN WHOLE OR IN PART TO ANYONE WITHOUT THE PERMISSION OF ACR.

REVISIONS				
ZONE	REV	DESCRIPTION	DATE	APPROVED
	A	RELEASED PER ECO 9331	4/14/99	T. Martin

ITEM NO.	QTY REQD	PICM NO	PART OR IDENTIFYING NO.	NOMENCLATURE OR DESCRIPTION	MATERIAL & SPECIFICATION												
<p>UNLESS OTHERWISE SPECIFIED ALL ANGLES ARE 90° DIMENSIONS ARE IN INCHES TOLERANCES ON</p> <table border="1"> <tr> <td>FRACTIONS</td> <td>DECIMALS</td> <td>ANGLES</td> </tr> <tr> <td>± 1/64</td> <td>.X ± .030</td> <td>± 1/2 °</td> </tr> <tr> <td></td> <td>.XX ± .010</td> <td></td> </tr> <tr> <td></td> <td>.XXX ± .005</td> <td></td> </tr> </table>			FRACTIONS	DECIMALS	ANGLES	± 1/64	.X ± .030	± 1/2 °		.XX ± .010			.XXX ± .005		<p>DRAWN JHA 3/18/99</p> <p>CHECKED JM 4/14/99</p> <p>ENG. JHA 3/18/99</p> <p>APVD. <i>[Signature]</i> 4-14-99</p> <p>RCW 4-15-99</p>	<p>ACR ELECTRONICS, INC</p> <p>5757 RAVENSWOOD RD. FT. LAUDERDALE FL 33312</p> <p><b>LABEL, FCC ID, CAT 1</b></p> <p><b>(2775)</b></p>	
FRACTIONS	DECIMALS	ANGLES															
± 1/64	.X ± .030	± 1/2 °															
	.XX ± .010																
	.XXX ± .005																
ANSI-B SOLIDWORKS			SIZE A	CODE IDENT. NO. 18560	DRAWING NO. A1-20-0981-3												
			SCALE 1		SHEET 1 OF 3												

18560 DWG. NO. A1-20-0981-3 SH 1 REV A

# ART PROOF

Graphic Printing Corp. Boca Raton, FL 561-994-3586 FAX: 561-994-1728

TO: SEITZ

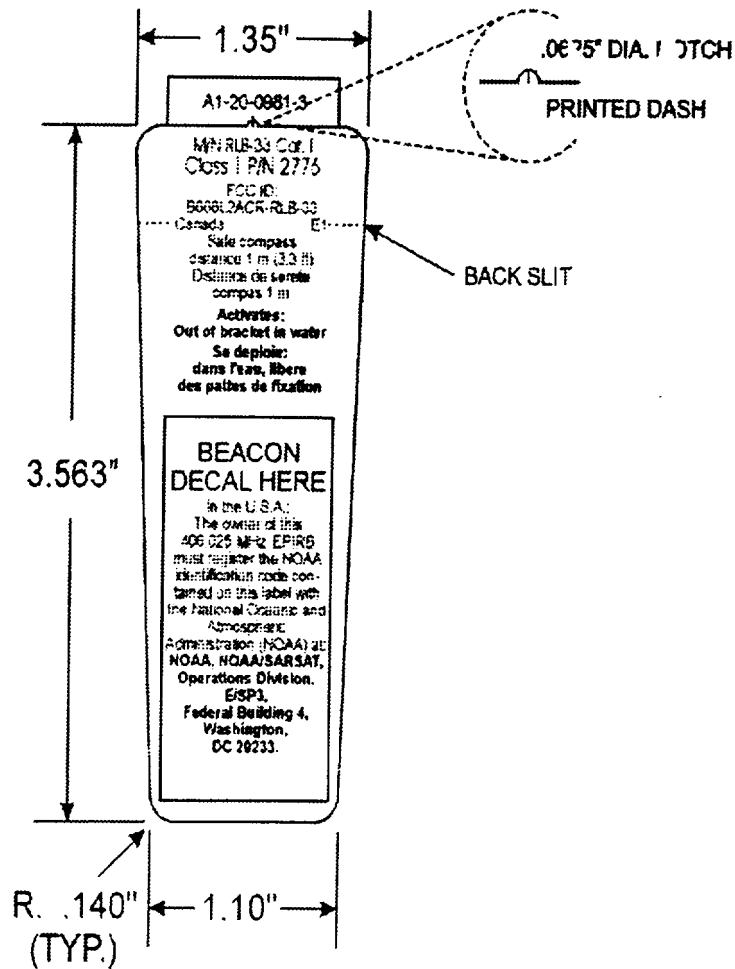
ATTN: LAURA

DATE: 2.25.99

Please examine the attached artwork and fax back your approval or changes

PN: A1-20-0981-3 PO: MATERIAL: .004 CLEAR POLYESTER W/467 ADH

## PMS 282C TEXT & GRAPHICS ON CLEAR BACKGROUND



**NOT TO SCALE**

SIZE A	CODE IDENT. NO. 18560	DRAWING NO. A1-20-0981-3	REV A
SCALE 1		SHEET 2	of 3

18560 DWG. NO. A1-20-0981-3 SH 3 REV A

NOTES:

1. MATERIAL: .004 THICK, CLEAR POLYESTER,  
#467 ADHESIVE BACKED, WITH LINER.
2. COLOR: BACKGROUND - CLEAR  
GRAPHICS/TEXT - PMS 282C (BLUE)
3. FOR LABEL DESIGN, SEE ENGINEERING SAMPLE.
4. MARK BULK PACKAGING WITH ACR PART NUMBER.

SIZE A	CODE IDENT. NO. 18560	DRAWING NO. A1-20-0981-3	REV A
SCALE 1		SHEET 3	OF 3

REV 1 A  
 DWG. NO. A1-20-0981-4

THIS DOCUMENT AND THE DATA DISCLOSED  
 HEREIN OR HEREWITH IS PROPERTY OF AND  
 BELONGS TO ACR ELECTRONICS, INC. FT  
 LAUDERDALE, FL. IT IS FURNISHED IN  
 CONFIDENCE SOLELY FOR INFORMATIONAL  
 PURPOSES. IT IS NOT TO BE REPRODUCED,  
 USED OR DISCLOSED IN WHOLE OR IN PART  
 TO ANYONE WITHOUT THE PERMISSION OF ACR

REVISIONS				
ZONE	REV	DESCRIPTION	DATE	APPROVED
	A	RELEASE PER ECO 9331	4/14/99	T. Masten

ITEM NO.	QTY REQ'D	PCOM NO	PART OR IDENTIFYING NO.	NOMENCLATURE OR DESCRIPTION	MATERIAL & SPECIFICATION
			DRAWN JHA 3/18/99 CHECKED <i>JM</i> 4/14/99 ENO. JHA 3/18/99 APVD. <i>JM</i> 4-14-99 <i>RCW 4-15-99</i>	<b>ACR ELECTRONICS, INC</b> 5757 RAVENSWOOD RD. FT. LAUDERDALE FL 33312 <b>LABEL, FCC ID, CAT 2</b> <b>(2777)</b>	
UNLESS OTHERWISE SPECIFIED ALL ANGLES ARE 90° DIMENSIONS ARE IN INCHES TOLERANCES ON			SIZE A SCALE 1	CODE IDENT. NO. 18560 DRAWING NO. A1-20-0981-4 SHEET 1	REV A OF 3
FRACTIONS	DECIMALS	ANGLES	ANSI-B SOLIDWORKS		
± 1/64	X ± .030 XX ± .010 XXX ± .005	± 1/2 °			

18560 DWG. NO. A1-20-0981-4 SH. 1 REV. A

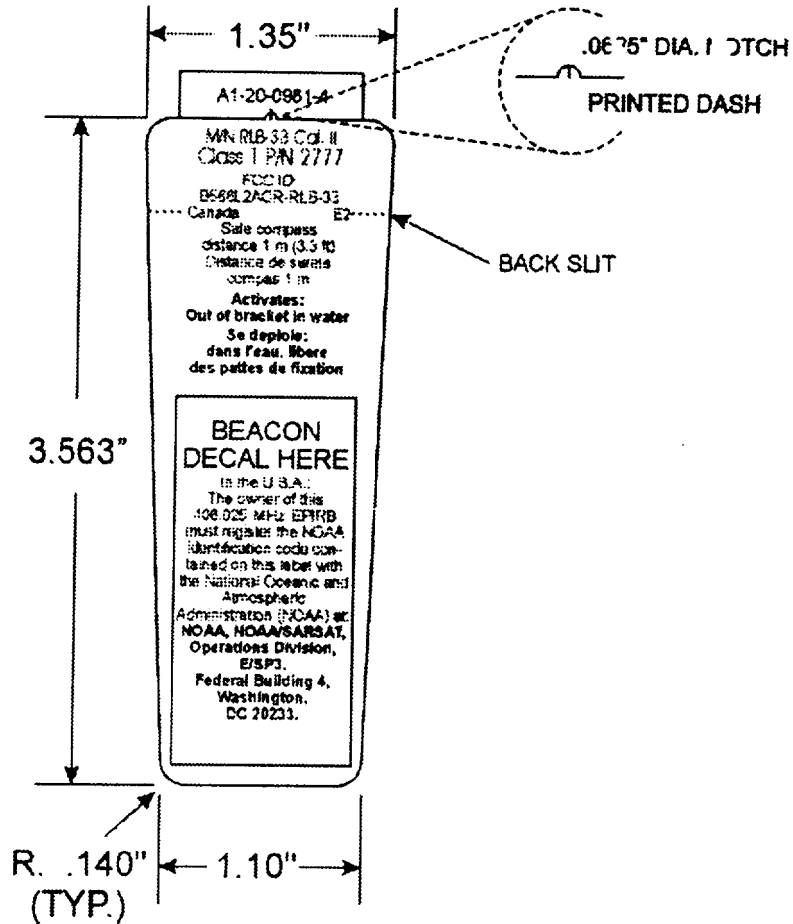
# ART PROOF

Graphic Printing Corp. Boca Raton, FL 561-994-3586 FAX: 561-994-1728

TO: SEITZ                      ATTN: LAURA                      DATE: 2.25.99  
**Please examine the attached artwork and fax back your approval or changes**

PN: A1-20-0981-4    PO:    MATERIAL: .004 CLEAR POLYESTER W/467 ADH

## PMS 282C TEXT & GRAPHICS ON CLEAR BACKGRO IND



**NOT TO SCALE**

SIZE A	CODE IDENT. NO. 18560	DRAWING NO. A1-20-0981-4	REV A
SCALE 1		SHEET 2	OF 3



18560 DWG. NO. A1-20-0981-4 SH 3 REV A

NOTES:

1. MATERIAL: .004 THICK, CLEAR POLYESTER,  
#467 ADHESIVE BACKED, WITH LINER.
2. COLOR: BACKGROUND - CLEAR  
GRAPHICS/TEXT - PMS 282C (BLUE)
3. FOR LABEL DESIGN, SEE ENGINEERING SAMPLE.
4. MARK BULK PACKAGING WITH ACR PART NUMBER.

SIZE A	CODE IDENT. NO. 18560	DRAWING NO. A1-20-0981-4	REV A
SCALE 1		SHEET 3	OF 3

DWG. NO. **18560** / **A1-20-0983**

REV **1 A**

THIS DOCUMENT AND THE DATA DISCLOSED  
 HEREIN OR HEREWITH IS PROPERTY OF AND  
 BELONGS TO ACR ELECTRONICS, INC. FT  
 LAUDERDALE, FL. IT IS FURNISHED IN  
 CONFIDENCE SOLELY FOR INFORMATIONAL  
 PURPOSES. IT IS NOT TO BE REPRODUCED,  
 USED OR DISCLOSED IN WHOLE OR IN PART  
 TO ANYONE WITHOUT THE PERMISSION OF ACR

REVISIONS				
ZONE	REV	DESCRIPTION	DATE	APPROVED
	A	RELEASE PER ECO 9331	4/14/99	T. Masten

ITEM NO.	QTY REQ'D	FROM NO.	PART OR IDENTIFYING NO.	NOMENCLATURE OR DESCRIPTION	MATERIAL & SPECIFICATION
UNLESS OTHERWISE SPECIFIED ALL ANGLES ARE 90° DIMENSIONS ARE IN INCHES TOLERANCES ON			DRAWN JHA 3/18/99 CHECKED <i>JM</i> 4/14/99 ENG. JHA 3/18/99 APVD. <i>RCM</i> 4-14-99 <i>RCM 4-15-99</i>	ACR ELECTRONICS, INC 5757 RAVENSWOOD RD. FT. LAUDERDALE FL 33312	
FRACTIONS	DECIMALS	ANGLES	ILLUSTRATION, LANYARD DEPLOYMENT		
± 1/64	X ± .030	± 1/2 °	SIZE	CODE IDENT. NO.	DRAWING NO.
	XX ± .010		A	18560	A1-20-0983
	XXX ± .005		SCALE		REV
ANSI-B SOLIDWORKS			N/A		A
				SHEET 1	OF 3



18560 DWG. NO. A1-20-0983 SH 3 REV A

NOTES:

1. MATERIAL: .004 THICK, CLEAR POLYESTER #467 ADHESIVE BACKED, WITH LINER, ONLY IN AREA SHOWN.
2. COLOR: BACKGROUND - CLEAR BACKGROUND GRAPHICS/TEXT - PMS 282C (BLUE)
3. FOR LABEL DESIGN, SEE ENGINEERING SAMPLE.
4. MARK BULK PACKAGING WITH ACR PART NUMBER.

SIZE A	CODE IDENT. NO. 18560	DRAWING NO. A1-20-0983	REV A
SCALE N/A		SHEET 3	OF 3

18560 DWG. NO. A1-20-0986

REV 1 A	REVISIONS				
	ZONE	REV	DESCRIPTION	DATE	APPROVED
		A	RELEASE PER ECO 9331	4/14/99	<i>T. Master</i>

THIS DOCUMENT AND THE DATA DISCLOSED HEREIN OR HEREWITH IS PROPERTY OF AND BELONGS TO ACR ELECTRONICS, INC. FT LAUDERDALE, FL. IT IS FURNISHED IN CONFIDENCE SOLELY FOR INFORMATIONAL PURPOSES. IT IS NOT TO BE REPRODUCED, USED OR DISCLOSED IN WHOLE OR IN PART TO ANYONE WITHOUT THE PERMISSION OF ACR

ITEM NO.	QTY REQD	FROM NO	PART OR IDENTIFYING NO.	NOMENCLATURE OR DESCRIPTION	MATERIAL & SPECIFICATION												
			DRAWN <i>JHA</i> 3/18/99 CHECKED <i>TM</i> 4/14/99 ENG. <i>JHA</i> 3/18/99 APVD. <i>JM</i> 4-14-99 <i>RCH</i> 4-15-99	<b>ACR ELECTRONICS, INC</b> <small>5757 RAVENSWOOD RD. FT. LAUDERDALE FL 33312</small> <b>ILLUSTRATION, CAT 1 BRACKET</b>													
UNLESS OTHERWISE SPECIFIED ALL ANGLES ARE 90° DIMENSIONS ARE IN INCHES TOLERANCES ON				SIZE <b>A</b> CODE IDENT. NO. <b>18560</b> DRAWING NO. <b>A1-20-0986</b> REV <b>A</b>													
<table border="1" style="font-size: small;"> <tr> <th>FRACTIONS</th> <th>DECIMALS</th> <th>ANGLES</th> </tr> <tr> <td>± 1/64</td> <td>X ± .030</td> <td>± 1/2 °</td> </tr> <tr> <td></td> <td>XX ± .010</td> <td></td> </tr> <tr> <td></td> <td>XXX ± .005</td> <td></td> </tr> </table>			FRACTIONS	DECIMALS	ANGLES	± 1/64	X ± .030	± 1/2 °		XX ± .010			XXX ± .005			SCALE <b>N/A</b> SHEET <b>1</b> OF <b>3</b>	
FRACTIONS	DECIMALS	ANGLES															
± 1/64	X ± .030	± 1/2 °															
	XX ± .010																
	XXX ± .005																
ANSI-B SOLIDWORKS																	

18560 DWG NO. A1-20-0986 SH 1 REV A

# Art Proof

Graphic Printing Corp.  
Boca Raton, Fl

(561) 994-3586  
Fax: (561) 998-7665

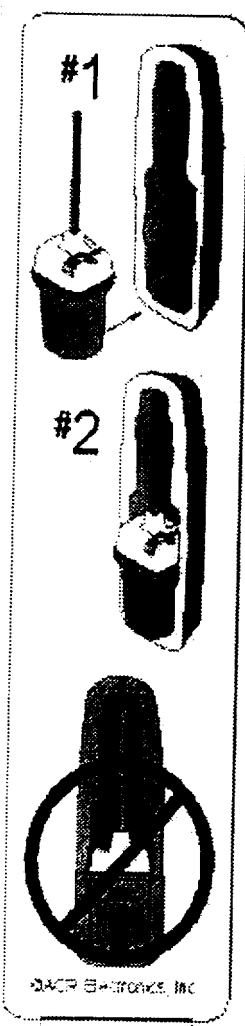
To: SEITZ

Attrn:

Date: 2-15-99

Please examine the attached artwork and fax back your approval or changes.

Part No.: A1-20-0986  
P.O. #



T  
.50  
BACK SLIT

Material: VINYL  
Colors: PMS 282

**NOT TO SCALE**

SIZE A	CODE IDENT. NO. 18560	DRAWING NO. A1-20-0986	REV A
SCALE N/A		SHEET 2	OF 3

REV 3 A  
SH 3  
18560 DWG. NO. A1-20-0986

NOTES:

1. MATERIAL: .004 THICK, WHITE VINYL  
#467 ADHESIVE BACKED, WITH LINER.
2. COLOR: BACKGROUND - WHITE (MATERIAL COLOR)  
GRAPHICS/TEXT - PMS 282C (BLUE)
3. FOR LABEL DESIGN, SEE ENGINEERING SAMPLE.
4. MARK BULK PACKAGING WITH ACR PART NUMBER.

SIZE A	CODE IDENT. NO. 18560	DRAWING NO. A1-20-0986	REV A
SCALE N/A		SHEET 3	of 3

18560 DWG. NO. A1-20-0987

REV 1 A

THIS DOCUMENT AND THE DATA DISCLOSED HEREIN OR HEREWITH IS PROPERTY OF AND BELONGS TO ACR ELECTRONICS, INC. FT LAUDERDALE, FL. IT IS FURNISHED IN CONFIDENCE SOLELY FOR INFORMATIONAL PURPOSES. IT IS NOT TO BE REPRODUCED, USED OR DISCLOSED IN WHOLE OR IN PART TO ANYONE WITHOUT THE PERMISSION OF ACR

REVISIONS				
ZONE	REV	DESCRIPTION	DATE	APPROVED
	A	RELEASE PER ECO 9331	4/14/99	T. Martin

ITEM NO.	QTY REQD	PSOM NO	PART OR IDENTIFYING NO.	NOMENCLATURE OR DESCRIPTION	MATERIAL & SPECIFICATION												
<p>UNLESS OTHERWISE SPECIFIED ALL ANGLES ARE 90° DIMENSIONS ARE IN INCHES TOLERANCES ON</p> <table border="1"> <tr> <th>FRACTIONS</th> <th>DECIMALS</th> <th>ANGLES</th> </tr> <tr> <td>± 1/64</td> <td>.X ± .030</td> <td>± 1/2 °</td> </tr> <tr> <td></td> <td>.XX ± .010</td> <td></td> </tr> <tr> <td></td> <td>.XXX ± .005</td> <td></td> </tr> </table>			FRACTIONS	DECIMALS	ANGLES	± 1/64	.X ± .030	± 1/2 °		.XX ± .010			.XXX ± .005		<p>DRAWN JHA 3/18/99</p> <p>CHECKED JM 4/14/99</p> <p>ENG. JHA 3/18/99</p> <p>APVD. JMT 4-14-99</p> <p>RCW 4-15-99</p>	<p><b>ACR ELECTRONICS, INC</b> 5757 RAVENSWOOD RD. FT. LAUDERDALE FL 33312</p> <p><b>ILLUSTRATION, CAT 2 BRACKET</b></p>	
FRACTIONS	DECIMALS	ANGLES															
± 1/64	.X ± .030	± 1/2 °															
	.XX ± .010																
	.XXX ± .005																
ANSI-B SOLIDWORKS			SIZE A	CODE IDENT. NO. 18560	DRAWING NO. A1-20-0987	REV A											
			SCALE N/A	SHEET 1 OF 3													



SH 1 A  
18560 DWG. NO. A1-20-0987

# ART PROOF

Graphic Printing Corp. Boca Raton, FL 561-994-3586 FAX: 561-994-1728

TO: SEITZ

ATTN: LAURA

DATE: 2.25.99

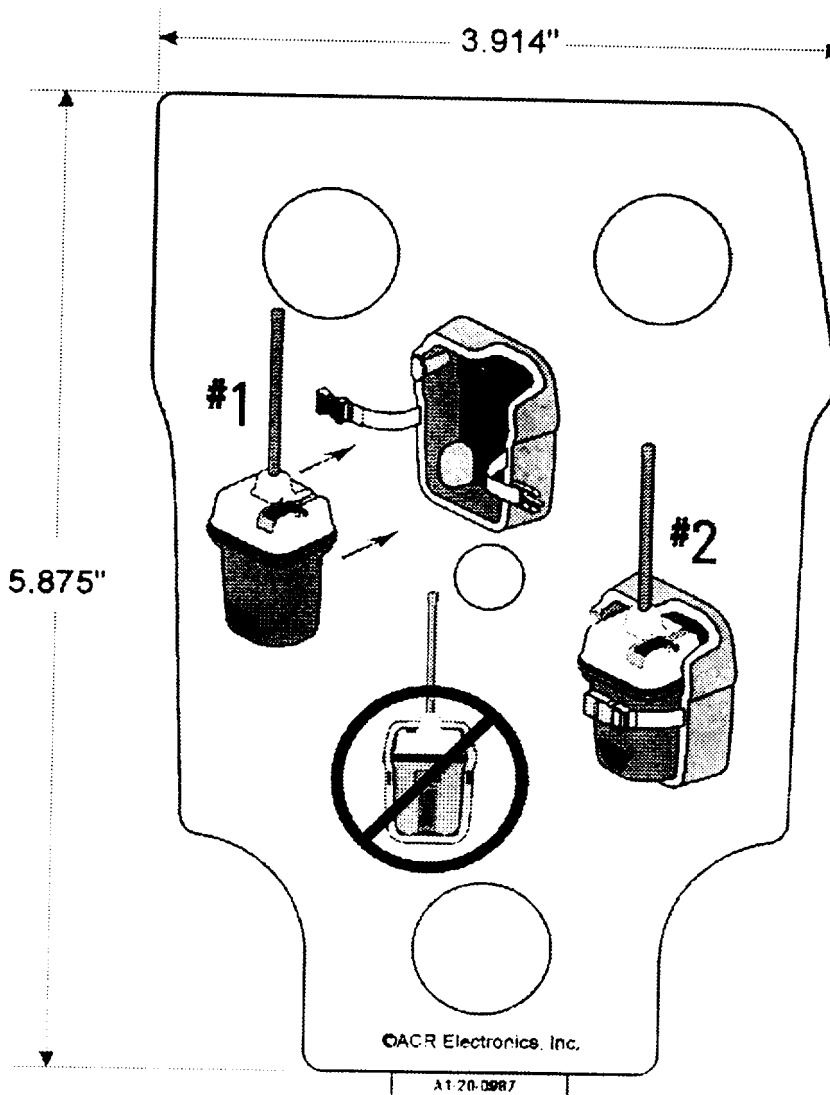
**Please examine the attached artwork and fax back your approval or changes**

PN: A1-20-0987

PO:

MATERIAL: .004 WHITE VINYL

PMS 282C TEXT & GRAPHICS ON WHITE VINYL



**NOT TO SCALE**

SIZE A	CODE IDENT. NO. 18560	DRAWING NO. A1-20-0987	REV A
SCALE N/A		SHEET 2	of 3

18560 DWG. NO. A1-20-0987 SH 3 REV A

NOTES:

1. MATERIAL: .004 THICK, WHITE VINYL  
#467 ADHESIVE BACKED, WITH LINER.
2. COLOR: BACKGROUND - WHITE (MATERIAL COLOR)  
GRAPHICS/TEXT - PMS 282C (BLUE)
3. FOR LABEL DESIGN, SEE ENGINEERING SAMPLE.
4. MARK BULK PACKAGING WITH ACR PART NUMBER.

SIZE A	CODE IDENT. NO. 18560	DRAWING NO. A1-20-0987	REV A
SCALE N/A		SHEET 3	of 3

18560 DWG NO. A1-20-0990

SHT 1 A

THIS DOCUMENT AND THE DATA DISCLOSED HEREIN OR HEREWITH IS PROPERTY OF AND BELONGS TO ACR ELECTRONICS, INC. FT LAUDERDALE, FL. IT IS FURNISHED IN CONFIDENCE SOLELY FOR INFORMATIONAL PURPOSES. IT IS NOT TO BE REPRODUCED, USED OR DISCLOSED IN WHOLE OR IN PART TO ANYONE WITHOUT THE PERMISSION OF ACR

REVISIONS				
ZONE	REV	DESCRIPTION	DATE	APPROVED
	A	RELEASE PER ECO 9331	4/14/99	T. Martin

ITEM NO.	QTY REQ'D	FROM NO.	PART OR IDENTIFYING NO.	NOMENCLATURE OR DESCRIPTION	MATERIAL & SPECIFICATION
UNLESS OTHERWISE SPECIFIED ALL ANGLES ARE 90° DIMENSIONS ARE IN INCHES TOLERANCES ON			DRAWN JHA 3/18/99 CHECKED TM 4/14/99 ENG. JHA 3/18/99 APVD. <i>RCB</i> 4-14-99 4-15-99	<b>ACR ELECTRONICS, INC</b> 5757 RAVENSWOOD RD. FT. LAUDERDALE FL 33312 <b>ILLUSTRATION, CAT 1</b> <b>GPS OPTICAL INTERFACE</b>	
FRACTIONS ±1/64 DECIMALS X ± .030 XX ± .010 XXX ± .005 ANGLES ± 1/2 °	SIZE A SCALE N/A		CODE IDENT. NO. 18560 DRAWING NO. A1-20-0990	REV A SHEET 1 OF 3	
ANS-B SOLIDWORKS					

18560 DWG. NO. A1-20-0990 SH 1 REV A

# Art Proof

Graphic Printing Corp.  
Boca Raton, Fl

(561) 994-3586  
Fax: (561) 998-7665

To: SEITZ

Attn:

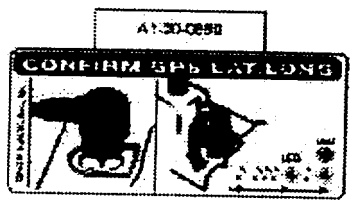
Date: 2-16-99

Please examine the attached artwork and fax back your approval or changes.

Part No.: A1-20-0990  
P.O. #

Material:  
Colors: PMS 282, PMS 185, PMS 355

2.00 X .878 .0468 RADIUS



**NOT TO SCALE**

SIZE A	CODE IDENT. NO. 18560	DRAWING NO. A1-20-0990	REV A
SCALE N/A		SHEET 2	of 3

18560 DWG. NO. A1-20-0990 SH 3 REV A

NOTES:

1. MATERIAL: .004 THICK, CLEAR POLYESTER  
#467 ADHESIVE BACKED, WITH LINER.
2. COLOR: BACKGROUND - CLEAR BACKGROUND  
GRAPHICS/TEXT - PMS 282C (BLUE), PMS 185 (RED), PMS 355 (GREEN)
3. FOR LABEL DESIGN, SEE ENGINEERING SAMPLE.
4. MARK BULK PACKAGING WITH ACR PART NUMBER.

SIZE A	CODE IDENT. NO. 18560	DRAWING NO. A1-20-0990	REV A
SCALE N/A		SHEET 3	of 3

18560 DWG. NO. A1-20-0991

REV 1 A

THIS DOCUMENT AND THE DATA DISCLOSED HEREIN OR HEREWITH IS PROPERTY OF AND BELONGS TO ACR ELECTRONICS, INC. FT LAUDERDALE, FL. IT IS FURNISHED IN CONFIDENCE SOLELY FOR INFORMATIONAL PURPOSES. IT IS NOT TO BE REPRODUCED, USED OR DISCLOSED IN WHOLE OR IN PART TO ANYONE WITHOUT THE PERMISSION OF ACR

REVISIONS				
ZONE	REV	DESCRIPTION	DATE	APPROVED
	A	RELEASE PER ECO 9331	4/14/99	T. Martin

ITEM NO.	QTY REQ'D	FIG. NO.	PART OR IDENTIFYING NO.	NOMENCLATURE OR DESCRIPTION	MATERIAL & SPECIFICATION
UNLESS OTHERWISE SPECIFIED ALL ANGLES ARE 90° DIMENSIONS ARE IN INCHES TOLERANCES ON			DRAWN JHA 3/18/99 CHECKED <i>T.M.</i> 4/14/99 ENG. JHA 3/18/99 APPD. <i>RCH</i> 4-14-99 4-15-99	<b>ACR ELECTRONICS, INC</b> 5757 RAVENSWOOD RD. FT. LAUDERDALE FL 33312 <b>ILLUSTRATION, CAT 2</b> <b>GPS OPTICAL INTERFACE</b>	
FRACTIONS ±1/64 DECIMALS .X ± .030 .XX ± .010 .XXX ± .005 ANGLES ± 1/2 °	SIZE A CODE IDENT. NO. 18560 DRAWING NO. A1-20-0991 REV A		SCALE N/A SHEET 1 OF 3		
ANSI-Z		SOLIDWORKS			

18560 DWG. NO. A1-20-0991 SH 1 REV A

# Art Proof

Graphic Printing Corp.  
Boca Raton, Fl

(561) 994-3586  
Fax: (561) 998-7665

To: SEITZ

Attn:

Date: 2-16-99

Please examine the attached artwork and fax back your approval or changes.

Part No.: A1-20-0991  
P.O. #

Material:  
Colors: PMS 282, PMS 185, PMS 355

2.00 X .678 .0468 RADIUS



**NOT TO SCALE**

SIZE A	CODE IDENT. NO. 18560	DRAWING NO. A1-20-0991	REV A
SCALE N/A		SHEET 2	of 3

18560 DWG. NO. A1-20-0991 SH 3 REV A

NOTES:

1. MATERIAL: .004 THICK, CLEAR POLYESTER  
#467 ADHESIVE BACKED, WITH LINER.
2. COLOR: BACKGROUND - CLEAR BACKGROUND  
GRAPHICS/TEXT - PMS 282C (BLUE), PMS 185 (RED), PMS 355 (GREEN)
3. FOR LABEL DESIGN, SEE ENGINEERING SAMPLE.
4. MARK BULK PACKAGING WITH ACR PART NUMBER.

SIZE A	CODE IDENT. NO. 18560	DRAWING NO. A1-20-0991	REV A
SCALE N/A		SHEET 3	of 3



18560 DWG. NO. A1-20-0996

REV 1 A

THIS DOCUMENT AND THE DATA DISCLOSED HEREIN OR HEREWITH IS PROPERTY OF AND BELONGS TO ACR ELECTRONICS, INC. FT LAUDERDALE, FL. IT IS FURNISHED IN CONFIDENCE SOLELY FOR INFORMATIONAL PURPOSES. IT IS NOT TO BE REPRODUCED, USED OR DISCLOSED IN WHOLE OR IN PART TO ANYONE WITHOUT THE PERMISSION OF ACR

REVISIONS				
ZONE	REV	DESCRIPTION	DATE	APPROVED
	A	RELEASE PER ECO 9331	4/14/99	T. Maltun <sup>o</sup>

ITEM NO.	QTY REQD	PCOM NO	PART OR IDENTIFYING NO.	NOMENCLATURE OR DESCRIPTION	MATERIAL & SPECIFICATION												
<p>UNLESS OTHERWISE SPECIFIED ALL ANGLES ARE 90° DIMENSIONS ARE IN INCHES TOLERANCES ON</p> <table border="1"> <tr> <th>FRACTIONS</th> <th>DECIMALS</th> <th>ANGLES</th> </tr> <tr> <td>± 1/64</td> <td>.X ± .030</td> <td>± 1/2 °</td> </tr> <tr> <td></td> <td>.XX ± .010</td> <td></td> </tr> <tr> <td></td> <td>.XXX ± .005</td> <td></td> </tr> </table>			FRACTIONS	DECIMALS	ANGLES	± 1/64	.X ± .030	± 1/2 °		.XX ± .010			.XXX ± .005		<p>DRAWN JHA 3/18/99 CHECKED <i>TM</i> 4/14/99 ENG. JHA 3/18/99 APVD. <i>RCW</i> 4-14-99 <i>RCW</i> 4-15-99</p>	<p>ACR ELECTRONICS, INC 5757 RAVENSWOOD RD. FT. LAUDERDALE FL 33312</p> <p><b>LABEL, WARRANTY VOID</b></p>	
FRACTIONS	DECIMALS	ANGLES															
± 1/64	.X ± .030	± 1/2 °															
	.XX ± .010																
	.XXX ± .005																
ANSI-S SOLIDWORKS		SIZE A	CODE IDENT. NO. 18560	DRAWING NO. A1-20-0996	REV A												
		SCALE N/A	SHEET 1 OF 3														



18560 DWG. NO. A1-20-0996 SH 3 REV A

NOTES:

1. MATERIAL: .004 THICK, CLEAR POLYESTER  
#467 ADHESIVE BACKED, WITH LINER.
2. COLOR: BACKGROUND - CLEAR BACKGROUND  
GRAPHICS/TEXT - PMS 282C (BLUE)
3. FOR LABEL DESIGN, SEE ENGINEERING SAMPLE.
4. MARK BULK PACKAGING WITH ACR PART NUMBER.

SIZE A	CODE IDENT. NO. 18560	DRAWING NO. A1-20-0996	REV A
SCALE N/A		SHEET 3	of 3

18560 DWG. NO. A1-20-0997

REV 1 A

THIS DOCUMENT AND THE DATA DISCLOSED  
HEREIN OR HEREWITH IS PROPERTY OF AND  
BELONGS TO ACR ELECTRONICS, INC. FT  
LAUDERDALE, FL. IT IS FURNISHED IN  
CONFIDENCE SOLELY FOR INFORMATIONAL  
PURPOSES. IT IS NOT TO BE REPRODUCED,  
USED OR DISCLOSED IN WHOLE OR IN PART  
TO ANYONE WITHOUT THE PERMISSION OF ACR.

REVISIONS				
ZONE	REV	DESCRIPTION	DATE	APPROVED
	A	RELEASE PER ECO 9331	4/14/99	T. Martin

ITEM NO.	QTY REQD	FROM NO	PART OR IDENTIFYING NO.	NOMENCLATURE OR DESCRIPTION	MATERIAL & SPECIFICATION												
<p>UNLESS OTHERWISE SPECIFIED ALL ANGLES ARE 90° DIMENSIONS ARE IN INCHES TOLERANCES ON</p> <table border="1"> <tr> <th>FRACTIONS</th> <th>DECIMALS</th> <th>ANGLES</th> </tr> <tr> <td>±1/64</td> <td>.X ± .030</td> <td>± 1/2 °</td> </tr> <tr> <td></td> <td>.XX ± .010</td> <td></td> </tr> <tr> <td></td> <td>.XXX ± .005</td> <td></td> </tr> </table>			FRACTIONS	DECIMALS	ANGLES	±1/64	.X ± .030	± 1/2 °		.XX ± .010			.XXX ± .005		<p>DRAWN JHA 3/18/99 CHECKED TM 4/14/99 ENG. JHA 3/18/99 APVD. <i>JM</i> 4-14-99 <i>RCR</i> 4-15-99</p>	<p>ACR ELECTRONICS, INC 5757 RAVENSWOOD RD. FT. LAUDERDALE FL 33312 <b>ILLUSTRATION, RLB-32, CAT 1 BRACKET</b></p>	
FRACTIONS	DECIMALS	ANGLES															
±1/64	.X ± .030	± 1/2 °															
	.XX ± .010																
	.XXX ± .005																
ANSI-B SOLIDWORKS		SIZE A	CODE IDENT. NO. 18560	DRAWING NO. A1-20-0997	REV A												
		SCALE N/A	SHEET 1 OF 3														

18560 DWG. NO. A1-20-0997 SH 1 REV A

# ART PROOF

Graphic Printing Corp. Boca Raton, FL 561-994-3586 FAX: 561-994-1728

TO: SEITZ

ATTN: LAURA

DATE: 2.25.99

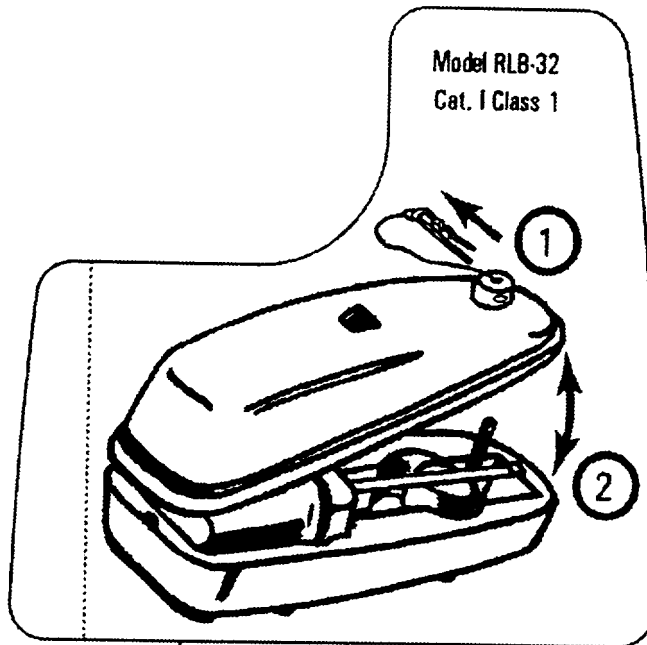
**Please examine the attached artwork and fax back your approval or changes**

PN: A1-20-0997

PO:

MATERIAL: .004 CLEAR POLYESTER

**PMS 282C TEXT & GRAPHICS, CLEAR BACKGROUND**



Model RLB-32  
Cat. I Class 1

1

2

A1-20-0997

BACK SLIT  
(DASHED LINE)

**NOT TO SCALE**

SIZE A	CODE IDENT. NO. 18560	DRAWING NO. A1-20-0997	REV A
SCALE N/A		SHEET 2	of 3

18560 DWG. NO. A1-20-0997 SH 3 REV A

NOTES:

1. MATERIAL: .004 THICK, CLEAR POLYESTER #467 ADHESIVE BACKED, WITH LINER.
2. COLOR: BACKGROUND - CLEAR BACKGROUND GRAPHICS/TEXT - PMS 282C (BLUE)
3. FOR LABEL DESIGN, SEE ENGINEERING SAMPLE.
4. MARK BULK PACKAGING WITH ACR PART NUMBER.

SIZE A	CODE IDENT. NO. 18560	DRAWING NO. A1-20-0997	REV A
SCALE N/A		SHEET 3	of 3

18560 DWG NO. A1-20-0999

REV 1 A

THIS DOCUMENT AND THE DATA DISCLOSED HEREIN OR HERewith IS PROPERTY OF AND BELONGS TO ACR ELECTRONICS, INC. FT LAUDERDALE, FL. IT IS FURNISHED IN CONFIDENCE SOLELY FOR INFORMATIONAL PURPOSES. IT IS NOT TO BE REPRODUCED, USED OR DISCLOSED IN WHOLE OR IN PART TO ANYONE WITHOUT THE PERMISSION OF ACR.

REVISIONS				
ZONE	REV	DESCRIPTION	DATE	APPROVED
	A	RELEASE PER ECO 9331	4/14/99	T. Mysterio

ITEM NO.	QTY REQD	PCRM NO	PART OR IDENTIFYING NO.	NOMENCLATURE OR DESCRIPTION	MATERIAL & SPECIFICATION												
<p>UNLESS OTHERWISE SPECIFIED ALL ANGLES ARE 90° DIMENSIONS ARE IN INCHES TOLERANCES ON</p> <table border="1"> <tr> <th>FRACTIONS</th> <th>DECIMALS</th> <th>ANGLES</th> </tr> <tr> <td>± 1/64</td> <td>.X ± .030</td> <td>± 1/2 °</td> </tr> <tr> <td></td> <td>.XX ± .010</td> <td></td> </tr> <tr> <td></td> <td>.XXX ± .005</td> <td></td> </tr> </table>			FRACTIONS	DECIMALS	ANGLES	± 1/64	.X ± .030	± 1/2 °		.XX ± .010			.XXX ± .005		<p>DRAWN JHA 3/18/99 CHECKED <i>TM</i> 4/14/99 ENG. JHA 3/18/99 APVD. <i>RM</i> 4-14-99 <i>RCAT 4-15-99</i></p>	<p>ACR ELECTRONICS, INC 5757 RAVENSWOOD RD., FT. LAUDERDALE FL 33312 <b>ILLUSTRATION, RLB-33, CAT 1 BRACKET</b></p>	
FRACTIONS	DECIMALS	ANGLES															
± 1/64	.X ± .030	± 1/2 °															
	.XX ± .010																
	.XXX ± .005																
ANSI-B SOLIDWORKS			SIZE A	CODE IDENT. NO. 18560	DRAWING NO. A1-20-0999	REV A											
			SCALE N/A	SHEET 1 of 3													

18560 DWG. NO. A1-20-0999 SH 1 REV A

# ART PROOF

Graphic Printing Corp. Boca Raton, FL 561-994-3586 FAX: 561-994-1728

TO: SEITZ

ATTN: LAURA

DATE: 2.25.99

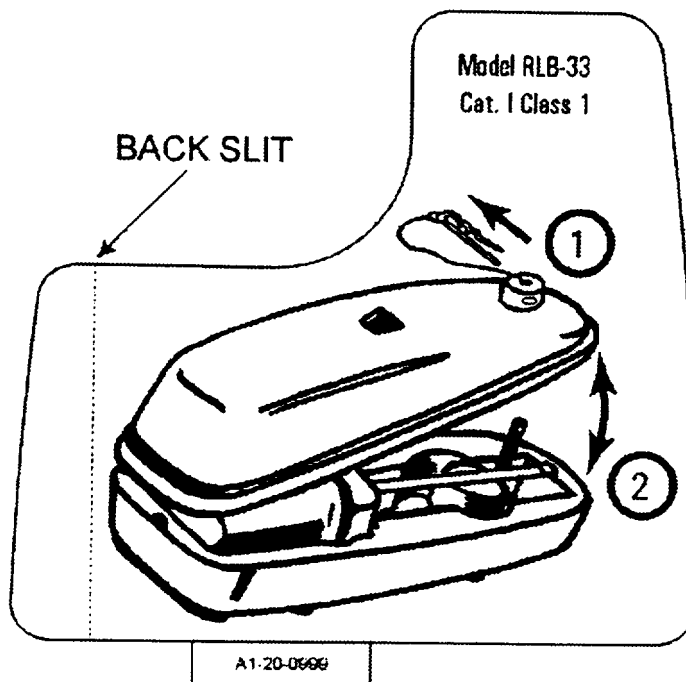
**Please examine the attached artwork and fax back your approval or changes**

PN: A1-20-0999

PO:

MATERIAL: .004 CLEAR POLYESTER

PMS 282C TEXT & GRAPHICS, CLEAR BACKGROUND



**NOT TO SCALE**

SIZE A	CODE IDENT NO 18560	DRAWING NO. A1-20-0999	REV A
SCALE N/A		SHEET 2	of 3



18560 DWG. NO. A1-20-0999 SH 3 REV A

NOTES:

1. MATERIAL: .004 THICK, CLEAR POLYESTER  
#467 ADHESIVE BACKED, WITH LINER.
2. COLOR: BACKGROUND - CLEAR BACKGROUND  
GRAPHICS/TEXT - PMS 282C (BLUE)
3. FOR LABEL DESIGN, SEE ENGINEERING SAMPLE.
4. MARK BULK PACKAGING WITH ACR PART NUMBER.

SIZE A	CODE IDENT. NO. 18560	DRAWING NO. A1-20-0999	REV A
SCALE N/A		SHEET 3	OF 3