

REV 1 A  
 SH 1  
 DWG. NO. A1-20-0981-2  
 18560

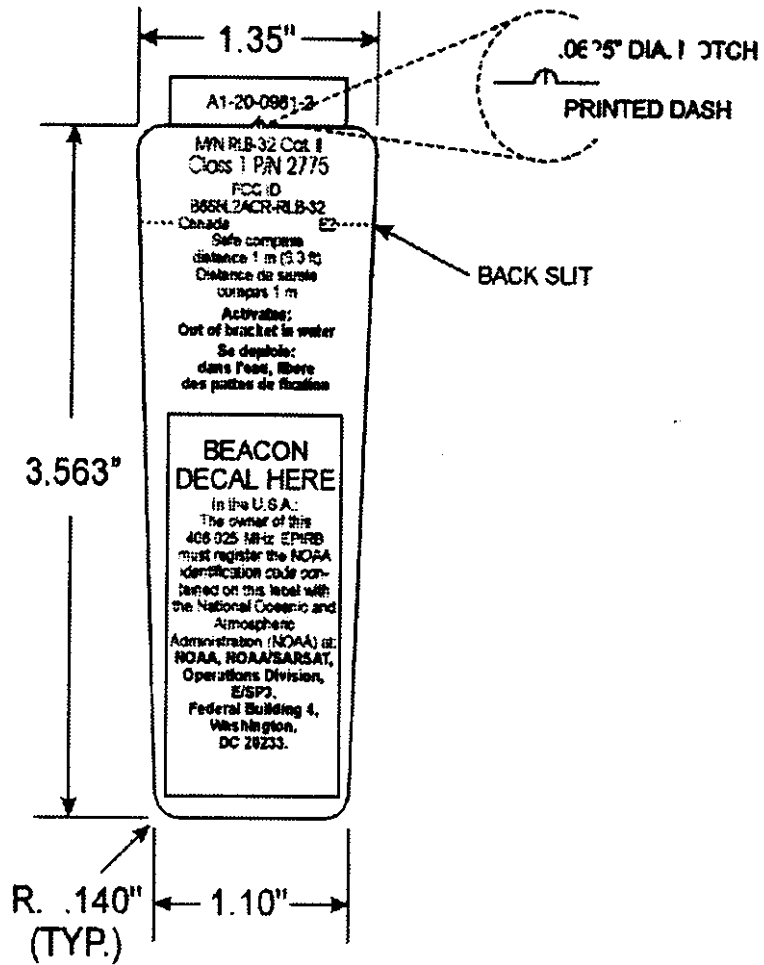
# ART PROOF

Graphic Printing Corp. Boca Raton, FL 561-994-3586 FAX: 561-994-1728

TO: SEITZ                      ATTN: LAURA                      DATE: 2.25.99  
 Please examine the attached artwork and fax back your approval or changes

PN: A1-20-0981-2    PO:    MATERIAL: .004 POLYESTER W/467 ADH.

PMS 282C TEXT & GRAPHICS ON CLEAR BACKGRO"IND



**NOT TO SCALE**

SIZE A	CODE IDENT. NO. 18560	DRAWING NO. A1-20-0981-2	REV A
SCALE 1		SHEET 2	OF 3

18560 DWG. NO. A1-20-0981-2 SH 3 REV A

NOTES:

1. MATERIAL: .004 THICK, CLEAR POLYESTER,  
#467 ADHESIVE BACKED, WITH LINER.
2. COLOR: BACKGROUND - CLEAR  
GRAPHICS/TEXT - PMS 282C (BLUE)
3. FOR LABEL DESIGN, SEE ENGINEERING SAMPLE.
4. MARK BULK PACKAGING WITH ACR PART NUMBER.

SIZE A	CODE IDENT. NO. 18560	DRAWING NO. A1-20-0981-2	REV A
SCALE 1		SHEET 3	of 3

REV A

SHEET 1

18560 DWG. NO. A1-20-0975

THIS DOCUMENT AND THE DATA DISCLOSED  
HEREIN OR HEREWITH IS PROPERTY OF AND  
BELONGS TO ACR ELECTRONICS, INC. FT  
LAUDERDALE, FL. IT IS FURNISHED IN  
CONFIDENCE SOLELY FOR INFORMATIONAL  
PURPOSES. IT IS NOT TO BE REPRODUCED,  
USED OR DISCLOSED IN WHOLE OR IN PART  
TO ANYONE WITHOUT THE PERMISSION OF ACR.

## REVISIONS

ZONE	REV	DESCRIPTION	DATE	APPROVED
	A	RELEASE PER ECO 9306	4/15/99	T. Martin

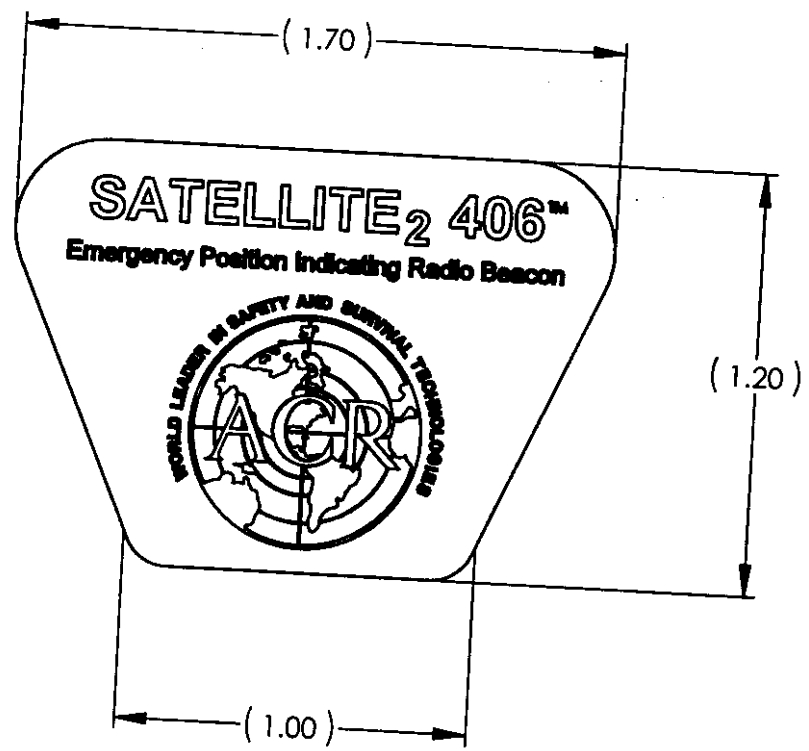
APR 16 1999

ITEM NO.	QTY REQ'D	FSM NO.	PART OR IDENTIFYING I.D.	NOMENCLATURE OR DESCRIPTION	MATERIAL & SPECIFICATION													
			DRAWN L. HALL 2/24/99	<b>ACR ELECTRONICS, INC</b> 5757 RAVENSWOOD RD. FT. LAUDERDALE FL 33012 <b>LABEL, SATELLITE 2 ENCAPSULATED LOGO</b>														
UNLESS OTHERWISE SPECIFIED ALL ANGLES ARE 90° DIMENSIONS ARE IN INCHES TOLERANCES ON <table border="1" style="width: 100%;"> <tr> <td>FRACTIONS</td> <td>DECIMALS</td> <td>ANGLES</td> </tr> <tr> <td>±1/64</td> <td>X ± .030</td> <td>± 1/2 °</td> </tr> <tr> <td></td> <td>.XX ± .010</td> <td></td> </tr> <tr> <td></td> <td>.XXX ± .005</td> <td></td> </tr> </table>			FRACTIONS			DECIMALS	ANGLES	±1/64	X ± .030	± 1/2 °		.XX ± .010			.XXX ± .005		CHECKED T.M. 4/15/99	
			FRACTIONS			DECIMALS	ANGLES											
			±1/64			X ± .030	± 1/2 °											
				.XX ± .010														
	.XXX ± .005																	
			ENG. RCH 4/16/99															
			APVD. MX 4-16-99															
ANSI-A SOLIDWORKS			SIZE A	CODE IDENT. NO. 18560	DRAWING NO. A1-20-0975													
			SCALE 2/1	SHEET 1 of 2														

18560 DWG. NO. A1-20-0975 SHEET 2 REV A

NOTES:

- 1. MATERIAL: 2.0 MIL POLYESTER (BRIGHT SILVER) WITH HI-STRENGTH ACRYLIC BACKING (3M #300). ENCAPSULATED IN POLYURETHANE.
- 2. COLOR:  
BACKGROUND - SILVER  
TEXT & LOGO - PANTONE BLUE (No. 282)
- 3. IDENTIFY BULK PACKAGING WITH ACR PART NUMBER.
- 4. FOR LABEL DESIGN AND ARTWORK, SEE ENGINEERING SAMPLE.



SIZE A	CODE IDENT. NO. 18560	DRAWING NO. A1-20-0975	REV A
SCALE 2/1	SHEET 2		of 2

Product No.	Description	2774	2775	2776	2777
A1-20-0976	RapidFix Logo encapsulated			X	X
A1-20-0975	Satellite 2 Logo encapsulated	X	X		
A1-20-0978	Main Illustration	X	X	X	X
A1-20-0979	Battery info & temp	X	X	X	X
A1-20-0980	Warning, imminent danger	X	X	X	X
A1-20-0981-1	FCC ID RLB-32 CAT I	X			
A1-20-0981-2	FCC ID RLB-32 CATII		X		
A1-20-0981-3	FCC ID RLB-33 CATI			X	
A1-20-0981-4	FCC ID RLB-33 CATII				X
A1-20-0982	GPS loading Illustration			X	X
A1-20-0983	Lanyard Wrap	X	X	X	X
A1-20-0986	Cat I Bracket Illust	X		X	
A1-20-0987	CATII Bracket label		X		X
A1-20-0990	GPS Illust Cat I			X	
A1-20-0991	GPS Illust Cat II				X
A1-20-0996	Warranty public notice	X	X	X	X
A1-20-0997	RLB-32 Cat I Bracket Illust	X			
A1-20-0999	RLB-33 Cat I Bracket Illust			X	

DWG. NO. 18560  
 SHEET 1  
 REV A  
 A1-20-0976

THIS DOCUMENT AND THE DATA DISCLOSED  
 HEREIN OR HEREWITH IS PROPERTY OF AND  
 BELONGS TO ACR ELECTRONICS, INC. FT  
 LAUDERDALE, FL. IT IS FURNISHED IN  
 CONFIDENCE SOLELY FOR INFORMATIONAL  
 PURPOSES. IT IS NOT TO BE REPRODUCED,  
 USED OR DISCLOSED IN WHOLE OR IN PART  
 TO ANYONE WITHOUT THE PERMISSION OF ACR.

REVISIONS				
ZONE	REV	DESCRIPTION	DATE	APPROVED
	A	RELEASE PER ECO 9306	4/15/99	T. Martin

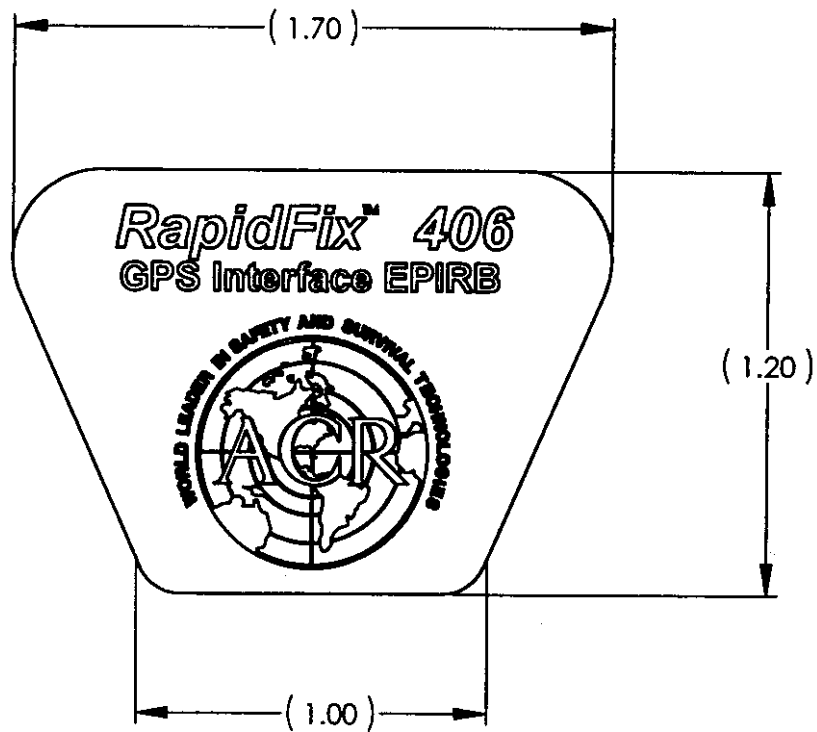
APR 16 1999

ITEM NO.	QTY REQ'D	FSCM NO.	PART OR IDENTIFYING NO.	NOMENCLATURE OR DESCRIPTION	MATERIAL & SPECIFICATION												
UNLESS OTHERWISE SPECIFIED ALL ANGLES ARE 90° DIMENSIONS ARE IN INCHES TOLERANCES ON <table border="1"> <tr> <th>FRACTIONS</th> <th>DECIMALS</th> <th>ANGLES</th> </tr> <tr> <td>±1/64</td> <td>.X ± .030</td> <td>± 1/2 °</td> </tr> <tr> <td></td> <td>.XX ± .010</td> <td></td> </tr> <tr> <td></td> <td>.XXX ± .005</td> <td></td> </tr> </table>			FRACTIONS	DECIMALS	ANGLES	±1/64	.X ± .030	± 1/2 °		.XX ± .010			.XXX ± .005		DRAWN L. HALL 2/24/99 CHECKED <i>J.M.</i> 4/15/99 ENG. <i>RCB</i> 4/16/99 APVD. <i>JK</i> 4-16-99	ACR ELECTRONICS, INC 5757 RAVENSWOOD RD. FT. LAUDERDALE FL 33312 <b>LABEL, RAPIDFIX,            ENCAPSULATED LOGO</b>	
FRACTIONS	DECIMALS	ANGLES															
±1/64	.X ± .030	± 1/2 °															
	.XX ± .010																
	.XXX ± .005																
ANSKA		SOLIDWORKS		SIZE A CODE IDENT. NO. 18560 DRAWING NO. A1-20-0976 REV A	SCALE 2/1 SHEET 1 of 2												

18560 DWG. NO. A1-20-0976 SF 2 REV A

NOTES:

1. MATERIAL: 2.0 MIL POLYESTER (BRIGHT SILVER) WITH HI-STRENGTH ACRYLIC BACKING (3M #300). ENCAPSULATED IN POLYURETHANE.
2. COLOR:  
BACKGROUND - PANTONE BLUE (No. 282)  
TEXT & LOGO - GOLD
3. IDENTIFY BULK PACKAGING WITH ACR PART NUMBER.
4. FOR LABEL DESIGN AND ARTWORK, SEE ENGINEERING SAMPLE.



SIZE A	CODE IDENT. NO. 18560	DRAWING NO. A1-20-0976	REV A
SCALE 2/1		SHEET 2	of 2

REV 1 A  
 DWG. NO. 18560  
 A1-20-0978

THIS DOCUMENT AND THE DATA DISCLOSED  
 HEREIN OR HEREWITH IS PROPERTY OF AND  
 BELONGS TO ACR ELECTRONICS, INC. FT  
 LAUDERDALE, FL. IT IS FURNISHED IN  
 CONFIDENCE SOLELY FOR INFORMATIONAL  
 PURPOSES. IT IS NOT TO BE REPRODUCED,  
 USED OR DISCLOSED IN WHOLE OR IN PART  
 TO ANYONE WITHOUT THE PERMISSION OF ACR

REVISIONS				
ZONE	REV	DESCRIPTION	DATE	APPROVED
	A	RELEASED PER ECO 9331	4/14/99	T. Martin

APR 16 1999

ITEM NO.	QTY REQ'D	FORM NO.	PART OR IDENTIFYING NO.	NOMENCLATURE OR DESCRIPTION	MATERIAL & SPECIFICATION
UNLESS OTHERWISE SPECIFIED ALL ANGLES ARE 90° DIMENSIONS ARE IN INCHES TOLERANCES ON			DRAWN JHA 3/18/99 CHECKED <i>TM</i> 4/14/99 ENG. JHA 3/18/99 APP. <i>JV</i> 4-14-99 <i>RCH</i> 5-15-99	<b>ACR ELECTRONICS, INC</b> 5757 RAVENSWOOD RD. FT. LAUDERDALE FL 33312 <b>ILLUSTRATION,            SWITCH ACTIVATION</b>	
FRACTIONS ±1/64 DECIMALS .X ± .030 .XX ± .010 .XXX ± .005 ANGLES ± 1/2 °	ANS-B SOLIDWORKS		SIZE A CODE IDENT. NO. 18560 SCALE N/A	DRAWING NO. A1-20-0978 SHEET 1 OF 3	REV A



18560 DWG. NO. A1-20-0978 SH 1 REV A

# Art Proof

Graphic Printing Corp.  
Boca Raton, Fl

(561) 994-3586  
Fax: (561) 998-7665

To: SEITZ

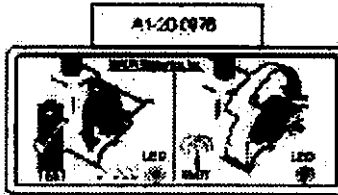
Attn:

Date: 2-16-99

Please examine the attached artwork and fax back your approval or changes.

Part No.: A1-20-0978  
P.O. #

2.00 X .878 .0468 RADIUS



**NOT TO SCALE**

SIZE A	CODE IDENT. NO. 18560	DRAWING NO. A1-20-0978	REV A
SCALE N/A		SHEET 2	of 3

REV

SH 3

A1-20-0978

18560 DWG. NO.

NOTES:

1. MATERIAL: .004 THICK, CLEAR POLYESTER  
#467 ADHESIVE BACKED, WITH LINER.
2. COLOR: BACKGROUND - CLEAR BACKGROUND  
GRAPHICS/TEXT - PMS 282C (BLUE), PMS 185 (RED), PMS 355 (GREEN)
3. FOR LABEL DESIGN, SEE ENGINEERING SAMPLE.
4. MARK BULK PACKAGING WITH ACR PART NUMBER.

SIZE	CODE IDENT. NO.	DRAWING NO.	REV
A	18560	A1-20-0978	A
SCALE	N/A	SHEET 3	OF 3

18560 DWG. NO. A1-20-0979

REV  
1  
A

THIS DOCUMENT AND THE DATA DISCLOSED  
HEREIN OR HEREWITH IS PROPERTY OF AND  
BELONGS TO ACR ELECTRONICS, INC. FT  
LAUDERDALE, FL. IT IS FURNISHED IN  
CONFIDENCE SOLELY FOR INFORMATIONAL  
PURPOSES. IT IS NOT TO BE REPRODUCED,  
USED OR DISCLOSED IN WHOLE OR IN PART  
TO ANYONE WITHOUT THE PERMISSION OF ACR

REVISIONS				
ZONE	REV	DESCRIPTION	DATE	APPROVED
	A	RELEASED PER ECO 9331	4/14/99	T. Martin

APR 16 1999

ITEM NO.	QTY	PRCD	PRCM NO	PART OR IDENTIFYING NO.	NOMENCLATURE OR DESCRIPTION	MATERIAL & SPECIFICATION
				DRAWN JHA 3/18/99	ACR ELECTRONICS, INC 5757 RAVENSHOOD RD. FT. LAUDERDALE FL 33312 <b>LABEL, BATTERY INFORMATION</b>	
				CHECKED TM 4/14/99		
				ENR. JHA 3/18/99		
				APVD. JHA 4-14-99 RCH 4-15-99		
UNLESS OTHERWISE SPECIFIED ALL ANGLES ARE 90° DIMENSIONS ARE IN INCHES TOLERANCES ON						
FRACTIONS ± 1/64	DECIMALS .X ± .030 .XX ± .010 .XXX ± .005	ANGLES ± 1/2 °				
ANSI-S SOLIDWORKS				SIZE A	CODE IDENT. NO. 18560	DRAWING NO. A1-20-0979
				SCALE 1		REV A
				SHEET 1		of 3

18560 DWG. NO. A1-20-0979 SH 1 REV A

# ART PROOF

Graphic Printing Corp. Boca Raton, FL 561-894-3586 FAX: 561-894-1728

TO: SEITZ

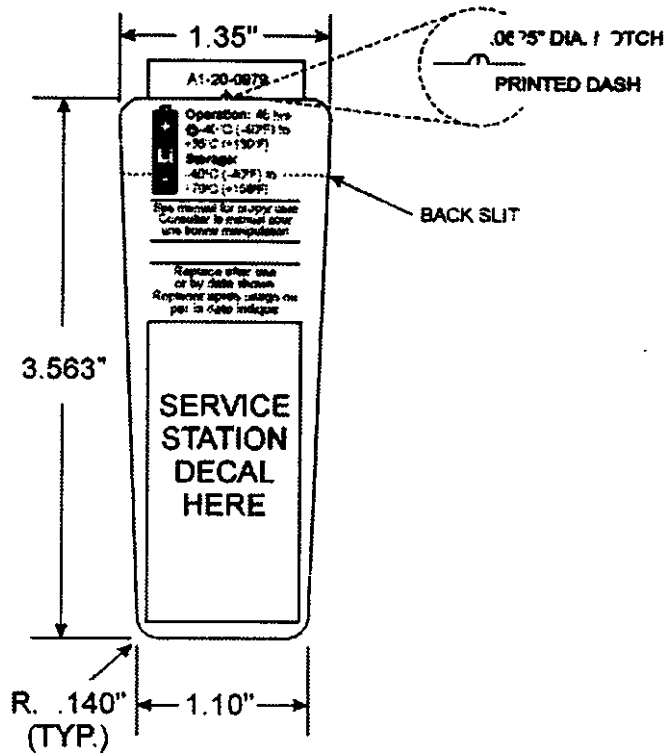
ATTN: LAURA

DATE: 2.25.99

Please examine the attached artwork and fax back your approval or changes

PN: A1-20-0979 PO: MATERIAL: .004 CLEAR POLYESTER W/467 ADH.

PMS 282C TEXT & GRAPHICS ON CLEAR BACKGRO IND



**NOT TO SCALE**

SIZE A	CODE IDENT. NO. 18560	DRAWING NO. A1-20-0979	REV A
SCALE 1		SHEET 2	of 3

18560 DWG. NO. A1-20-0979 SH 3 REV A

NOTES:

1. MATERIAL: .004 THICK, CLEAR POLYESTER, #467 ADHESIVE BACKED, WITH LINER.
2. COLOR: BACKGROUND - CLEAR  
GRAPHICS/TEXT - PMS 282C (BLUE)
3. FOR LABEL DESIGN, SEE ENGINEERING SAMPLE.
4. MARK BULK PACKAGING WITH ACR PART NUMBER.

SIZE A	CODE IDENT. NO. 18560	DRAWING NO. A1-20-0979	REV A
SCALE 1		SHEET 3	of 3

REV  
SHT 1 A

DWG. NO. 18560 A1-20-0980

THIS DOCUMENT AND THE DATA DISCLOSED HEREIN OR HERewith IS PROPERTY OF AND BELONGS TO ACR ELECTRONICS, INC. FT LAUDERDALE, FL. IT IS FURNISHED IN CONFIDENCE SOLELY FOR INFORMATIONAL PURPOSES. IT IS NOT TO BE REPRODUCED, USED OR DISCLOSED IN WHOLE OR IN PART TO ANYONE WITHOUT THE PERMISSION OF ACR

REVISIONS				
ZONE	REV	DESCRIPTION	DATE	APPROVED
	A	RELEASED PER ECO 9331	4/14/99	T. Martin

APR 16 1999

ITEM NO.	QTY REQ'D	FORM NO.	PART OR IDENTIFYING NO.	NOMENCLATURE OR DESCRIPTION	MATERIAL & SPECIFICATION	
UNLESS OTHERWISE SPECIFIED ALL ANGLES ARE 90° DIMENSIONS ARE IN INCHES TOLERANCES ON FRACTIONS    DECIMALS    ANGLES ± 1/64    X ± .030    ± 1/2 ° XX ± .010 XXX ± .005 ANS-B            SOLIDWORKS			DRAWN JHA 3/18/99 CHECKED TM 4/14/99 ENG. JHA 3/18/99 APVD. [Signature] 4-14-99 RCH 4-15-99	ACR ELECTRONICS, INC 5757 RAVENSWOOD RD., FT. LAUDERDALE FL. 33312 <b>LABEL, WARNING</b>		
			SIZE A    CODE IDENT. NO. 18560    DRAWING NO. A1-20-0980    REV A			
			SCALE 1		SHEET 1 of 3	

18560 DWG. NO. A1-20-0980 SH 1 REV A

# ART PROOF

Graphic Printing Corp. Boca Raton, FL 561-994-3586 FAX: 561-994-1728

TO: SEITZ

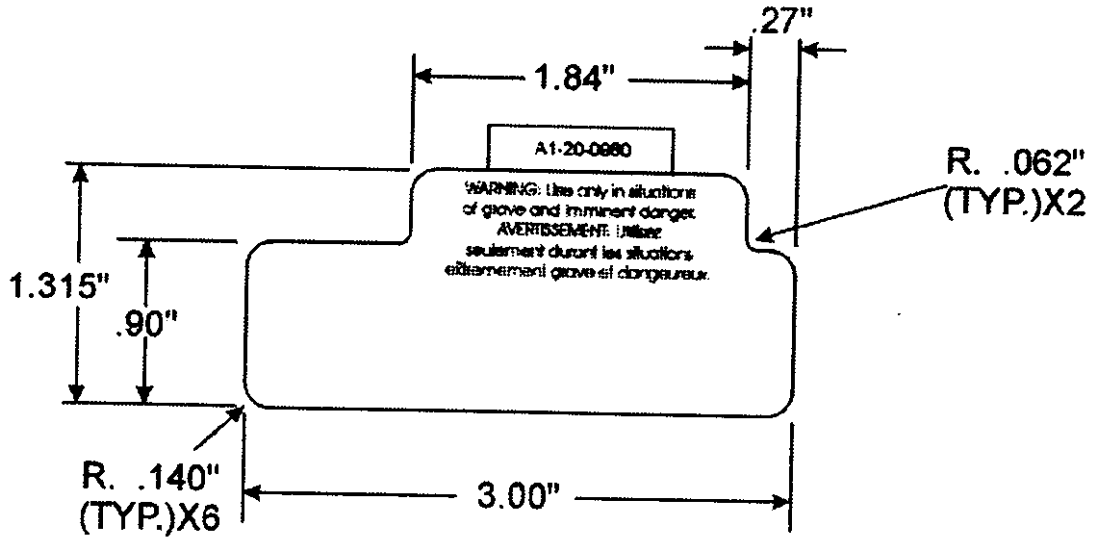
ATTN: LAURA

DATE: 2.25.99

Please examine the attached artwork and fax back your approval or changes

PN: A1-20-0980 PO: MATERIAL: .004 CLEAR POLYESTER W/467 ADH.

PMS 282C TEXT & GRAPHICS ON CLEAR BACKGROUND



**NOT TO SCALE**

SIZE A	CODE IDENT. NO. 18560	DRAWING NO. A1-20-0980	REV A
SCALE 1		SHEET 2	of 3

18560 DWG. NO. A1-20-0980 SH 3 REV A

NOTES:

- 1. MATERIAL: .004 THICK, CLEAR POLYESTER,  
#467 ADHESIVE BACKED, WITH LINER.
- 2. COLOR: BACKGROUND - CLEAR  
GRAPHICS/TEXT - PMS 282C (BLUE)
- 3. FOR LABEL DESIGN, SEE ENGINEERING SAMPLE.
- 4. MARK BULK PACKAGING WITH ACR PART NUMBER.

SIZE A	CODE IDENT. NO. 18560	DRAWING NO. A1-20-0980	REV A
SCALE 1		SHEET 3	OF 3



REV. 1 A  
 DWG. NO. 18560  
 CAT. 1  
 A1-20-0981-1

THIS DOCUMENT AND THE DATA DISCLOSED  
 HEREIN OR HERewith IS PROPERTY OF AND  
 BELONGS TO ACR ELECTRONICS, INC. FT  
 LAUDERDALE, FL. IT IS FURNISHED IN  
 CONFIDENCE SOLELY FOR INFORMATIONAL  
 PURPOSES. IT IS NOT TO BE REPRODUCED,  
 USED OR DISCLOSED IN WHOLE OR IN PART  
 TO ANYONE WITHOUT THE PERMISSION OF ACR

REVISIONS				
ZONE	REV	DESCRIPTION	DATE	APPROVED
	A	RELEASED PER ECO 9331	4/14/99	T. Master

APR 16 1999

ITEM NO.	QTY REQD	FORM NO.	PART OR IDENTIFYING NO.	NOMENCLATURE OR DESCRIPTION	MATERIAL & SPECIFICATION
UNLESS OTHERWISE SPECIFIED ALL ANGLES ARE 90° DIMENSIONS ARE IN INCHES TOLERANCES ON			DRAWN JHA 3/18/99 CHECKED TM 4/14/99 DES. JHA 3/18/99 APVD. JY 4-14-99 RCB 4-15-99	<b>ACR ELECTRONICS, INC</b> 5757 RAVENSWOOD RD. FT. LAUDERDALE FL 33312 <b>LABEL, FCC ID, CAT 1</b> <b>(2774)</b>	
FRACTIONS ±1/64 DECIMALS .X ± .030 .XX ± .010 .XXX ± .005 ANGLES ± 1/2 °	SIZE A CODE IDENT. NO. 18560 SCALE 1		DRAWING NO. A1-20-0981-1 SHEET 1 OF 3	REV A	
ANSI-S SOLIDWORKS					

18560 DWG. NO. A1-20-0981-1 SH 1 REV A

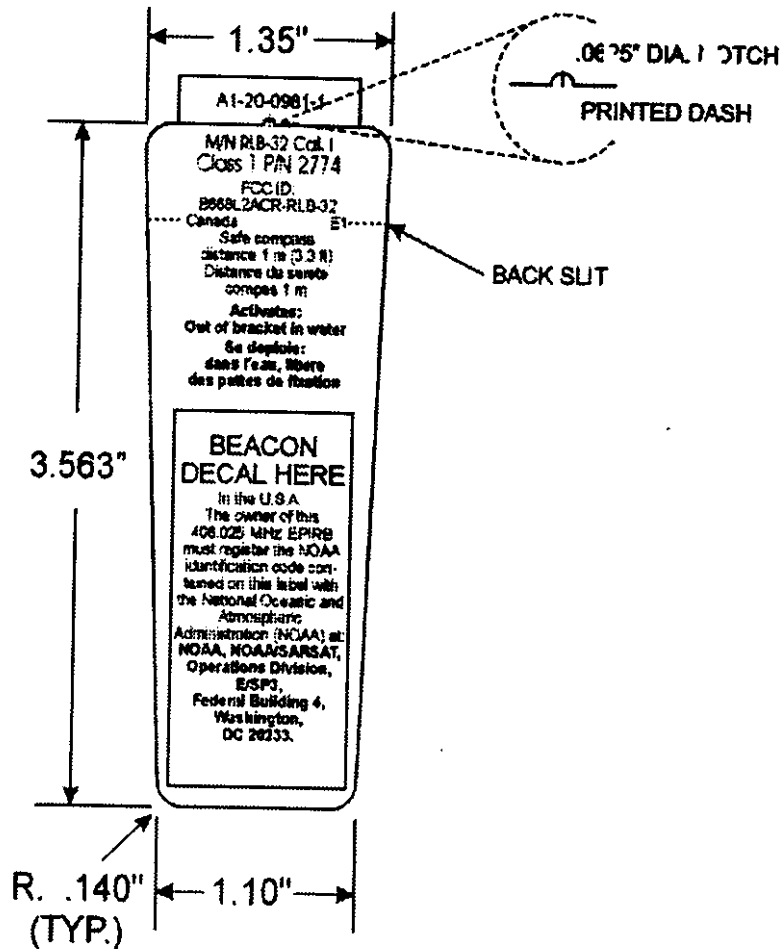
# ART PROOF

Graphic Printing Corp. Boca Raton, FL 561-994-3586 FAX: 561-994-1728

TO: SEITZ                      ATTN: LAURA                      DATE: 2.25.99  
 Please examine the attached artwork and fax back your approval or changes

PN: A1-20-0981-1    PO: MATERIAL: .004 CLEAR POLYESTER W/467 ADH.

## PMS 282C TEXT & GRAPHICS ON CLEAR BACKGRO IND



**NOT TO SCALE**

SIZE A	CODE IDENT. NO. 18560	DRAWING NO. A1-20-0981-1	REV A
SCALE 1		SHEET 2	of 3

18560 DWG. NO. A1-20-0981-1 SH 3 REV A

NOTES:

1. MATERIAL: .004 THICK, CLEAR POLYESTER,  
#467 ADHESIVE BACKED, WITH LINER.
2. COLOR: BACKGROUND - CLEAR  
GRAPHICS/TEXT - PMS 282C (BLUE)
3. FOR LABEL DESIGN, SEE ENGINEERING SAMPLE.
4. MARK BULK PACKAGING WITH ACR PART NUMBER.

SIZE A	CODE IDENT. NO. 18560	DRAWING NO. A1-20-0981-1	REV A
SCALE 1		SHEET 3	OF 3

18560

DWG. NO.

A1-20-0981-2

REV. 1 A

THIS DOCUMENT AND THE DATA DISCLOSED HEREIN OR HEREWITH IS PROPERTY OF AND BELONGS TO ACR ELECTRONICS, INC. FT LAUDERDALE, FL. IT IS FURNISHED IN CONFIDENCE SOLELY FOR INFORMATIONAL PURPOSES. IT IS NOT TO BE REPRODUCED, USED OR DISCLOSED IN WHOLE OR IN PART TO ANYONE WITHOUT THE PERMISSION OF ACR

ZONE		REV	DESCRIPTION	DATE	APPROVED
		A	RELEASED PER ECO 9331	4/14/99	T. Martin

APR 16 1999

ITEM NO.	QTY	PRGM NO.
----------	-----	----------

PART OR IDENTIFYING NO.

DRAWN	JHA	3/18/99
CHECKED	JHA	4/14/99
ENG.	JHA	3/18/99
APVD.	JHA	4-14-99
	RCH	4-15-99

NOMENCLATURE OR DESCRIPTION

MATERIAL & SPECIFICATION

ACR ELECTRONICS, INC

5757 RAVENSWOOD RD. FT. LAUDERDALE FL 33312

LABEL, FCC ID, CAT 2 (2775)

UNLESS OTHERWISE SPECIFIED ALL ANGLES ARE 90° DIMENSIONS ARE IN INCHES TOLERANCES ON DECIMALS ANGLES .X ± .030 ± 1/2 ° .XX ± .010 .XXX ± .005

SIZE A CODE IDENT. NO. 18560

DRAWING NO. A1-20-0981-2

REV A

SCALE 1

SHEET 1 OF 3

SOLIDWORKS

18560 DWG. NO. A1-20-0981-3

REV 1 A

THIS DOCUMENT AND THE DATA DISCLOSED HEREIN OR HEREWITH IS PROPERTY OF AND BELONGS TO ACR ELECTRONICS, INC. FT LAUDERDALE, FL. IT IS FURNISHED IN CONFIDENCE SOLELY FOR INFORMATIONAL PURPOSES. IT IS NOT TO BE REPRODUCED, USED OR DISCLOSED IN WHOLE OR IN PART TO ANYONE WITHOUT THE PERMISSION OF ACR.

REVISIONS				
ZONE	REV	DESCRIPTION	DATE	APPROVED
	A	RELEASED PER ECO 9331	4/14/99	T. Martin

APR 16 1999

ITEM NO.	QTY REQD	PCOM NO	PART OR IDENTIFYING NO.	NOMENCLATURE OR DESCRIPTION	MATERIAL & SPECIFICATION
UNLESS OTHERWISE SPECIFIED ALL ANGLES ARE 90° DIMENSIONS ARE IN INCHES TOLERANCES ON			DRAWN JHA 3/18/99 CHECKED JM 4/14/99 ENG. JHA 3/18/99 APVD. JH 4-14-99 RCH 4-15-99	ACR ELECTRONICS, INC 5757 RAVENSWOOD RD. FT. LAUDERDALE FL 33312 <b>LABEL, FCC ID, CAT 1 (2775)</b>	
FRACTIONS ± 1/64	DECIMALS .X ± .030 .XX ± .010 .XXX ± .005	ANGLES ± 1/2 °	SIZE A	CODE IDENT. NO. 18560	DRAWING NO. A1-20-0981-3
ANSI SOLIDWORKS			SCALE 1	SHEET 1 OF 3	
					REV A

18560 DWG NO. A1-20-0981-3 SH 1 REV A

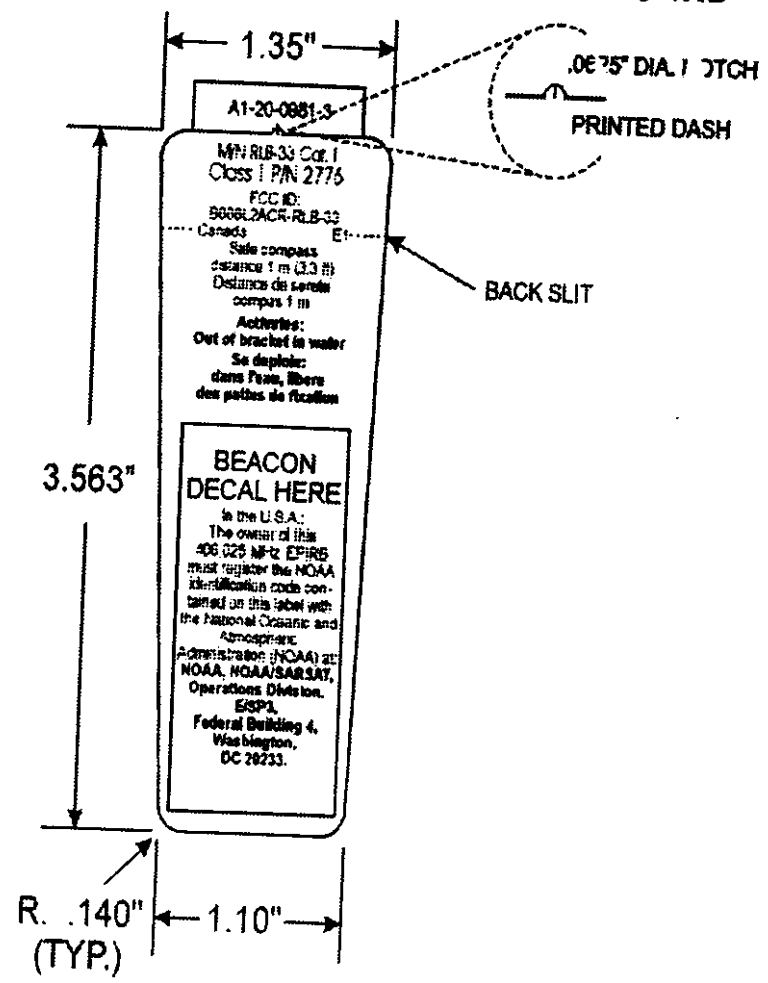
# ART PROOF

Graphic Printing Corp. Boca Raton, FL 561-994-3586 FAX: 561-994-1728

TO: SEITZ                      ATTN: LAURA                      DATE: 2.25.99  
Please examine the attached artwork and fax back your approval or changes

PN: A1-20-0981-3    PO:    MATERIAL: .004 CLEAR POLYESTER W/467 ADH

PMS 282C TEXT & GRAPHICS ON CLEAR BACKGRO IND



**NOT TO SCALE**

SIZE A	CODE IDENT. NO. 18560	DRAWING NO. A1-20-0981-3	REV A
SCALE 1	SHEET 2		of 3

18560 DWG. NO. A1-20-0981-3 SH 3 REV A

NOTES:

1. MATERIAL: .004 THICK, CLEAR POLYESTER,  
#467 ADHESIVE BACKED, WITH LINER.
2. COLOR: BACKGROUND - CLEAR  
GRAPHICS/TEXT - PMS 282C (BLUE)
3. FOR LABEL DESIGN, SEE ENGINEERING SAMPLE.
4. MARK BULK PACKAGING WITH ACR PART NUMBER.

SIZE A	CODE IDENT. NO. 18560	DRAWING NO. A1-20-0981-3	REV A
SCALE 1		SHEET 3	of 3

REV 1 A  
 DWG. NO. 18560  
 PART A1-20-0981-4

THIS DOCUMENT AND THE DATA DISCLOSED  
 HEREIN OR HEREWITH IS PROPERTY OF AND  
 BELONGS TO ACR ELECTRONICS, INC. FT  
 LAUDERDALE, FL. IT IS FURNISHED IN  
 CONFIDENCE SOLELY FOR INFORMATIONAL  
 PURPOSES. IT IS NOT TO BE REPRODUCED,  
 USED OR DISCLOSED IN WHOLE OR IN PART  
 TO ANYONE WITHOUT THE PERMISSION OF ACR

REVISIONS				
ZONE	REV	DESCRIPTION	DATE	APPROVED
	A	RELEASE PER ECO 9331	4/14/99	T. Martin

APR 16 1999

ITEM NO.	QTY REQD	PRGM NO	PART OR IDENTIFYING NO.	NOMENCLATURE OR DESCRIPTION	MATERIAL & SPECIFICATION
UNLESS OTHERWISE SPECIFIED ALL ANGLES ARE 90° DIMENSIONS ARE IN INCHES TOLERANCES ON			DRAWN JHA 3/18/99 CHECKED JM 4/14/99 ENG. JHA 3/18/99 APVD. JHY 4-14-99 RLT 4-15-99	<b>ACR ELECTRONICS, INC</b> 5757 RAVENSWOOD RD. FT. LAUDERDALE FL 33312 <b>LABEL, FCC ID, CAT 2</b> <b>(2777)</b>	
FRACTIONS ±1/64	DECIMALS .X ± .030 .XX ± .010 .XXX ± .005	ANGLES ± 1/2 °	SIZE A	CODE IDENT. NO. 18560	DRAWING NO. A1-20-0981-4
ANS-B SOLIDWORKS			SCALE 1	REV A	
			SHEET 1		OF 3





18560

DWG. NO.

A1-20-0981-4

SH

3

REV

A

NOTES:

1. MATERIAL: .004 THICK, CLEAR POLYESTER, #467 ADHESIVE BACKED, WITH LINER.
2. COLOR: BACKGROUND - CLEAR  
GRAPHICS/TEXT - PMS 282C (BLUE)
3. FOR LABEL DESIGN, SEE ENGINEERING SAMPLE.
4. MARK BULK PACKAGING WITH ACR PART NUMBER.

SIZE A	CODE IDENT. NO. 18560	DRAWING NO. A1-20-0981-4	REV A
SCALE 1		SHEET 3	OF 3

REV 1 A

18560 DWG. NO. A1-20-0983

THIS DOCUMENT AND THE DATA DISCLOSED HEREIN OR HEREWITH IS PROPERTY OF AND BELONGS TO ACR ELECTRONICS, INC. FT LAUDERDALE, FL. IT IS FURNISHED IN CONFIDENCE SOLELY FOR INFORMATIONAL PURPOSES. IT IS NOT TO BE REPRODUCED, USED OR DISCLOSED IN WHOLE OR IN PART TO ANYONE WITHOUT THE PERMISSION OF ACR

REVISIONS				
ZONE	REV	DESCRIPTION	DATE	APPROVED
	A	RELEASE PER ECO 9331	4/14/99	T. Martin

APR 16 1999

ITEM NO.	QTY REQ'D	FROM NO.	PART OR IDENTIFYING NO.	NOMENCLATURE OR DESCRIPTION	MATERIAL & SPECIFICATION												
<p>UNLESS OTHERWISE SPECIFIED ALL ANGLES ARE 90° DIMENSIONS ARE IN INCHES TOLERANCES ON</p> <table border="1"> <tr> <th>FRACTIONS</th> <th>DECIMALS</th> <th>ANGLES</th> </tr> <tr> <td>± 1/64</td> <td>X ± .030</td> <td>± 1/2 °</td> </tr> <tr> <td></td> <td>XX ± .010</td> <td></td> </tr> <tr> <td></td> <td>XXX ± .005</td> <td></td> </tr> </table>			FRACTIONS	DECIMALS	ANGLES	± 1/64	X ± .030	± 1/2 °		XX ± .010			XXX ± .005		<p>DRAWN JHA 3/18/99          CHECKED JM 4/14/99          ENS. JHA 3/18/99          APVD. <i>RM</i> 4-14-99          RCH 4-15-99</p>	<p>ACR ELECTRONICS, INC          5757 RAVENSWOOD RD. FT. LAUDERDALE FL 33312  <b>ILLUSTRATION,          LANYARD DEPLOYMENT</b></p>	
FRACTIONS	DECIMALS	ANGLES															
± 1/64	X ± .030	± 1/2 °															
	XX ± .010																
	XXX ± .005																
ANSI-B SOLIDWORKS			SIZE A	CODE IDENT. NO. 18560	DRAWING NO. A1-20-0983												
			SCALE N/A		REV A												
			SHEET 1 of 3														

18560 DWG. NO. A1-20-0983 SH 1 REV A

# Art Proof

Graphic Printing Corp.  
Boca Raton, Fl

(561) 994-3586  
Fax: (561) 998-7665

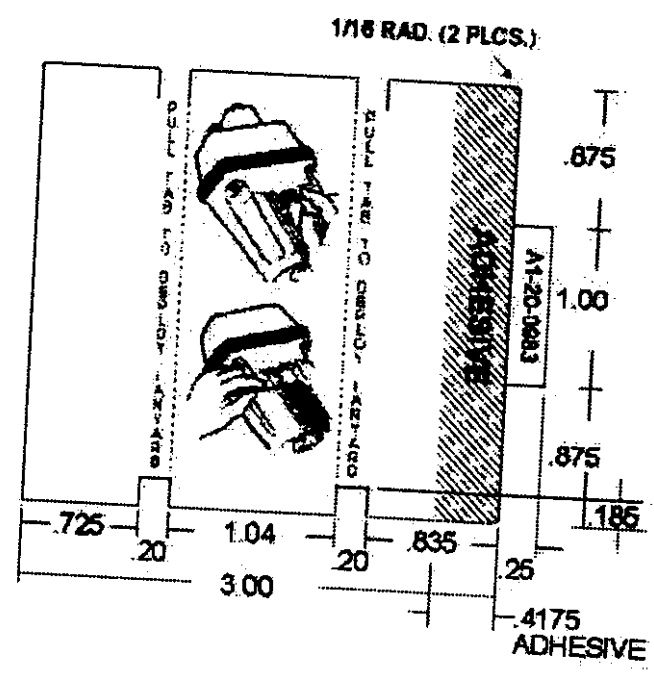
To: SEITZ

Attn:

Date: 2-23-99

Please examine the attached artwork and fax back your approval or changes.

Part No.: A1-20-0983  
P.O. #



**NOT TO SCALE**

SIZE A	CODE IDENT. NO. 18560	DRAWING NO. A1-20-0983	REV A
SCALE N/A	SHEET 2		of 3

18560 DWG. NO. A1-20-0983 SH 3 REV A

NOTES:

1. MATERIAL: .004 THICK, CLEAR POLYESTER #467 ADHESIVE BACKED, WITH LINER, ONLY IN AREA SHOWN.
2. COLOR: BACKGROUND - CLEAR BACKGROUND GRAPHICS/TEXT - PMS 282C (BLUE)
3. FOR LABEL DESIGN, SEE ENGINEERING SAMPLE.
4. MARK BULK PACKAGING WITH ACR PART NUMBER.

SIZE A	CODE IDENT. NO. 18560	DRAWING NO. A1-20-0983	REV A
SCALE N/A		SHEET 3	OF 3

18560 DWG. NO. A1-20-0986

REV 1 A

THIS DOCUMENT AND THE DATA DISCLOSED HEREIN OR HEREWITH IS PROPERTY OF AND BELONGS TO ACR ELECTRONICS, INC. FT LAUDERDALE, FL. IT IS FURNISHED IN CONFIDENCE SOLELY FOR INFORMATIONAL PURPOSES. IT IS NOT TO BE REPRODUCED, USED OR DISCLOSED IN WHOLE OR IN PART TO ANYONE WITHOUT THE PERMISSION OF ACR

REVISIONS				
ZONE	REV	DESCRIPTION	DATE	APPROVED
	A	RELEASE PER ECO 9331	4/14/99	T. Martin

APR 16 1999

ITEM NO.	QTY REQD	FORM NO.	PART OR IDENTIFYING NO.	NOMENCLATURE OR DESCRIPTION	MATERIAL & SPECIFICATION
UNLESS OTHERWISE SPECIFIED ALL ANGLES ARE 90° DIMENSIONS ARE IN INCHES TOLERANCES ON			DRAWN JHA 3/18/99 CHECKED TM 4/14/99 ENG. JHA 3/18/99 APVD. <i>DMT</i> 4-14-99 <i>RCH</i> 4-15-99	<b>ACR ELECTRONICS, INC</b> 5757 RAVENSWOOD RD. FT. LAUDERDALE FL 33312 <b>ILLUSTRATION,            CAT 1 BRACKET</b>	
FRACTIONS ± 1/64 DECIMALS X ± .030 XX ± .010 XXX ± .005 ANGLES ± 1/2 °	ANI-8 SOLIDWORKS		SIZE A SCALE N/A	CODE IDENT. NO. 18560 DRAWING NO. A1-20-0986	REV A SHEET 1 OF 3

18560 DWG NO. A1-20-0986 SH 1 REV A

# Art Proof

Graphic Printing Corp.  
Boca Raton, Fl

(561) 994-3586  
Fax: (561) 998-7665

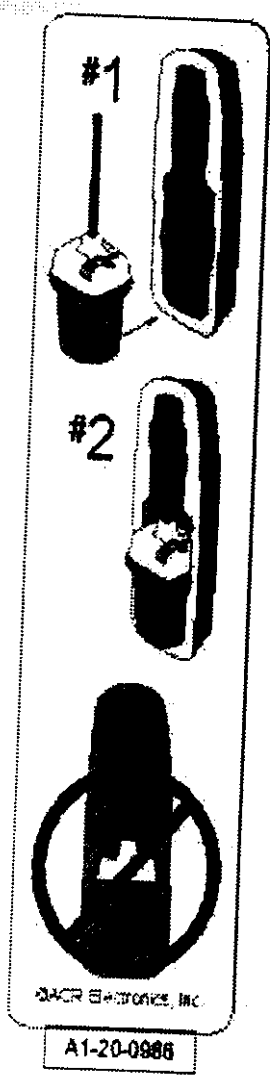
To: SEITZ

Attn:

Date: 2-15-99

Please examine the attached artwork and fax back your approval or changes.

Part No.: A1-20-0986  
P.O. #



T  
.50  
L  
BACK SLIT

Material: VINYL  
Colors: PMS 282

**NOT TO SCALE**

SIZE A	CODE IDENT. NO. 18560	DRAWING NO. A1-20-0986	REV A
SCALE N/A		SHEET 2	of 3

18560 DWG NO. A1-20-0986 SH 3 REV A

NOTES:

- 1. MATERIAL: .004 THICK, WHITE VINYL  
#467 ADHESIVE BACKED, WITH LINER.
- 2. COLOR: BACKGROUND - WHITE (MATERIAL COLOR)  
GRAPHICS/TEXT - PMS 282C (BLUE)
- 3. FOR LABEL DESIGN, SEE ENGINEERING SAMPLE.
- 4. MARK BULK PACKAGING WITH ACR PART NUMBER.

SIZE A	CODE IDENT. NO. 18560	DRAWING NO. A1-20-0986	REV A
SCALE N/A		SHEET 3	of 3



18560 DWG. NO. A1-20-0987

REV 1 A

THIS DOCUMENT AND THE DATA DISCLOSED HEREIN OR HEREWITH IS PROPERTY OF AND BELONGS TO ACR ELECTRONICS, INC. FT LAUDERDALE, FL. IT IS FURNISHED IN CONFIDENCE SOLELY FOR INFORMATIONAL PURPOSES. IT IS NOT TO BE REPRODUCED, USED OR DISCLOSED IN WHOLE OR IN PART TO ANYONE WITHOUT THE PERMISSION OF ACR

REVISIONS				
ZONE	REV	DESCRIPTION	DATE	APPROVED
	A	RELEASE PER ECO 9331	4/14/99	T. Martin

APR 16 1999

ITEM NO.	QTY REQD	PRGM NO	PART OR IDENTIFYING NO.	NOMENCLATURE OR DESCRIPTION	MATERIAL & SPECIFICATION
UNLESS OTHERWISE SPECIFIED ALL ANGLES ARE 90° DIMENSIONS ARE IN INCHES TOLERANCES ON			DRAWN JHA 3/18/99 CHECKED JM 4/14/99 DES. JHA 3/18/99 APVD. JMT 4-14-99 RCH 4-15-99	ACR ELECTRONICS, INC 5757 RAVENSWOOD RD., FT. LAUDERDALE FL 33312	
FRACTIONS ± 1/64	DECIMALS .X ± .030 .XX ± .010 .XXX ± .005	ANGLES ± 1/2 °		ILLUSTRATION, CAT 2 BRACKET	
ANSI-S SOLIDWORKS		SIZE A	CODE IDENT. NO. 18560	DRAWING NO. A1-20-0987	REV A
			SCALE N/A	SHEET 1	OF 3

18560 DWG. NO. A1-20-0987 SH 1 REV A

# ART PROOF

Graphic Printing Corp. Boca Raton, FL 561-994-3586 FAX: 561-994-1728

TO: SEITZ

ATTN: LAURA

DATE: 2.25.99

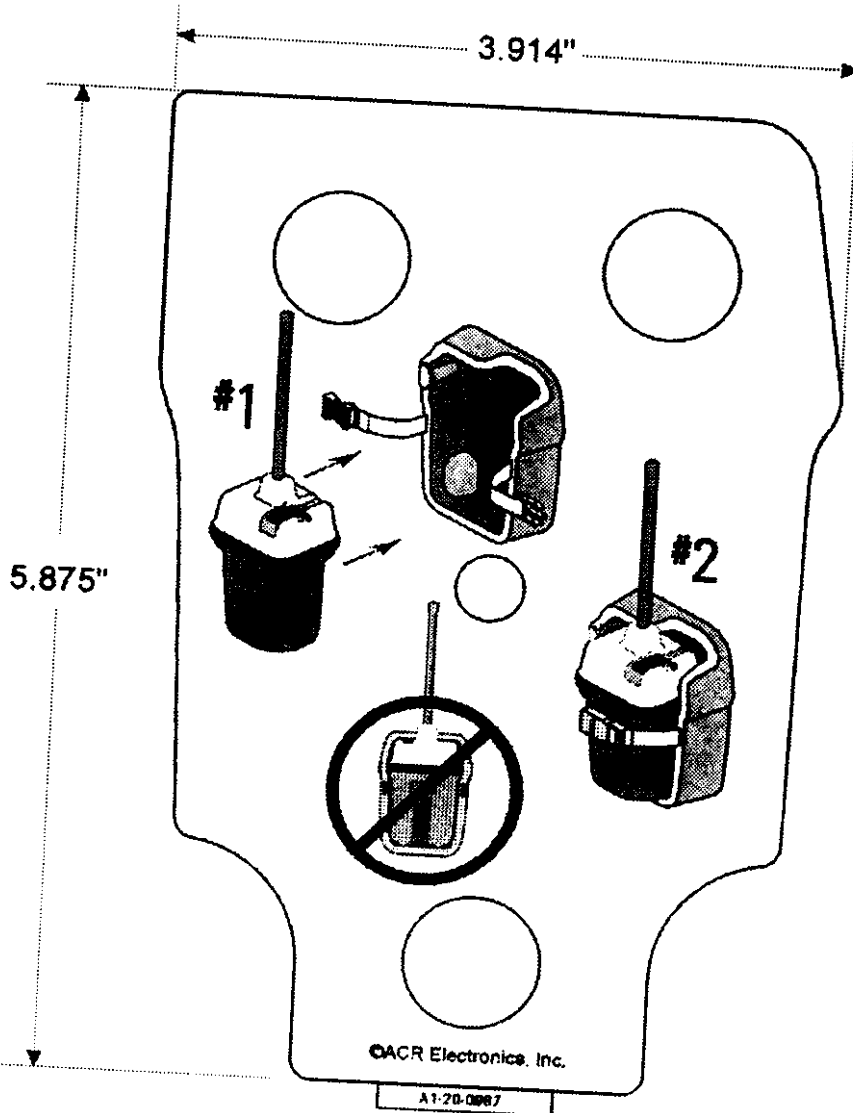
Please examine the attached artwork and fax back your approval or changes

PN: A1-20-0987

PO:

MATERIAL: .004 WHITE VINYL

PMS 282C TEXT & GRAPHICS ON WHITE VINYL



**NOT TO SCALE**

SIZE A	CODE IDENT. NO. 18560	DRAWING NO. A1-20-0987	REV A
SCALE N/A	SHEET 2		OF 3

18560 DWG. NO. A1-20-0987 SH 3 REV A

NOTES:

1. MATERIAL: .004 THICK, WHITE VINYL  
#467 ADHESIVE BACKED, WITH LINER.
2. COLOR: BACKGROUND - WHITE (MATERIAL COLOR)  
GRAPHICS/TEXT - PMS 282C (BLUE)
3. FOR LABEL DESIGN, SEE ENGINEERING SAMPLE.
4. MARK BULK PACKAGING WITH ACR PART NUMBER.

SIZE A	CODE IDENT. NO. 18560	DRAWING NO. A1-20-0987	REV A
SCALE N/A		SHEET 3	of 3

REV  
1  
A

DWG. NO. 18560  
A1-20-0990

THIS DOCUMENT AND THE DATA DISCLOSED  
HEREIN OR HEREWITH IS PROPERTY OF AND  
BELONGS TO ACR ELECTRONICS, INC. FT  
LAUDERDALE, FL. IT IS FURNISHED IN  
CONFIDENCE SOLELY FOR INFORMATIONAL  
PURPOSES. IT IS NOT TO BE REPRODUCED,  
USED OR DISCLOSED IN WHOLE OR IN PART  
TO ANYONE WITHOUT THE PERMISSION OF ACR

REVISIONS				
ZONE	REV	DESCRIPTION	DATE	APPROVED
	A	RELEASE PER ECO 9331	4/14/99	T. Martin

APR 16 1999

ITEM NO.	QTY REQ'D	PCOM NO	PART OR IDENTIFYING NO.	NOMENCLATURE OR DESCRIPTION	MATERIAL & SPECIFICATION	
UNLESS OTHERWISE SPECIFIED ALL ANGLES ARE 90° DIMENSIONS ARE IN INCHES TOLERANCES ON FRACTIONS    DECIMALS    ANGLES ±1/64    .X ± .030    ± 1/2 ° .XX ± .010 .XXX ± .005 ANI-B            SOLIDWORKS			DRAWN JHA 3/18/99 CHECKED TM 4/14/99 ENG. JHA 3/18/99 APVD. <i>gny</i> 4-14-99 <i>RCH</i> 4-15-99	ACR ELECTRONICS, INC 5757 RAVENSWOOD RD. FT. LAUDERDALE FL 33312 <b>ILLUSTRATION, CAT 1            GPS OPTICAL INTERFACE</b>		
			SIZE A    CODE IDENT. NO. 18560    DRAWING NO. A1-20-0990    REV A			
			SCALE N/A		SHEET 1 OF 3	

18560 DWG. NO. A1-20-0990 SH 1 REV A

# Art Proof

Graphic Printing Corp.  
Boca Raton, Fl

(561) 994-3586  
Fax: (561) 998-7665

To: SEITZ

Attn:

Date: 2-16-99

Please examine the attached artwork and fax back your approval or changes.

Part No.: A1-20-0990  
P.O. #

Material:  
Colors: PMS 282, PMS 185, PMS 355

2.00 X .876 .0468 RADIUS



**NOT TO SCALE**

SIZE A	CODE / IDENT. NO. 18560	DRAWING NO. A1-20-0990	REV A
SCALE N/A	SHEET 2		of 3

REV A  
SH 3  
A1-20-0990  
18560 DWG. NO.

**NOTES:**

1. MATERIAL: .004 THICK, CLEAR POLYESTER  
#467 ADHESIVE BACKED, WITH LINER.
2. COLOR: BACKGROUND - CLEAR BACKGROUND  
GRAPHICS/TEXT - PMS 282C (BLUE), PMS 185 (RED), PMS 355 (GREEN)
3. FOR LABEL DESIGN, SEE ENGINEERING SAMPLE.
4. MARK BULK PACKAGING WITH ACR PART NUMBER.

SIZE A	CODE IDENT. NO. 18560	DRAWING NO. A1-20-0990	REV A
SCALE N/A		SHEET 3	OF 3

18560 DWG. NO. A1-20-0991

REV 1 A

THIS DOCUMENT AND THE DATA DISCLOSED HEREIN OR HERewith IS PROPERTY OF AND BELONGS TO ACR ELECTRONICS, INC. FT LAUDERDALE, FL. IT IS FURNISHED IN CONFIDENCE SOLELY FOR INFORMATIONAL PURPOSES. IT IS NOT TO BE REPRODUCED, USED OR DISCLOSED IN WHOLE OR IN PART TO ANYONE WITHOUT THE PERMISSION OF ACR

REVISIONS			
ZONE	REV	DESCRIPTION	DATE
	A	RELEASE PER ECO 9331	4/14/99
			T. Masten

APR 16 1999

ITEM NO.	QTY REQD	PICM NO	PART OR IDENTIFYING NO.	NOMENCLATURE OR DESCRIPTION	MATERIAL & SPECIFICATION
UNLESS OTHERWISE SPECIFIED ALL ANGLES ARE 90° DIMENSIONS ARE IN INCHES TOLERANCES ON			DRAWN JHA 3/18/99 CHECKED <i>ZM</i> 4/14/99 ENR. JHA 3/18/99 APVD. <i>RCH</i> 4-14-99 4-15-99	ACR ELECTRONICS, INC 5757 RAVENSWOOD RD. FT. LAUDERDALE FL 33312	
FRACTIONS ± 1/64	DECIMALS .X ± .030 .XX ± .010 .XXX ± .005	ANGLES ± 1/2 °		ILLUSTRATION, CAT 2 GPS OPTICAL INTERFACE	
ANSI-Z SOLIDWORKS		SIZE A	CODE IDENT. NO. 18560	DRAWING NO. A1-20-0991	REV A
SCALE N/A			SHEET 1		OF 3

18560 DWG NO. A1-20-0991 SH 1 REV A

# Art Proof

Graphio Printing Corp.  
Boca Raton, Fl

(561) 994-3586  
Fax: (561) 998-7665

To: SEITZ

Attn:

Date: 2-16-99

Please examine the attached artwork and fax back your approval or changes.

Part No.: A1-20-0991  
P.O. #

Material:  
Colors: PMS 282, PMS 185, PMS 355

2.00 X .878 .0468 RADIUS



**NOT TO SCALE**

SIZE A	CODE IDENT. NO. 18560	DRAWING NO. A1-20-0991	REV A
SCALE N/A	SHEET 2		of 3



18560

DWG. NO.

A1-20-0991

SH

3

REV

A

NOTES:

1. MATERIAL: .004 THICK, CLEAR POLYESTER #467 ADHESIVE BACKED, WITH LINER.
2. COLOR: BACKGROUND - CLEAR BACKGROUND GRAPHICS/TEXT - PMS 282C (BLUE), PMS 185 (RED), PMS 355 (GREEN)
3. FOR LABEL DESIGN, SEE ENGINEERING SAMPLE.
4. MARK BULK PACKAGING WITH ACR PART NUMBER.

SIZE A	CODE IDENT. NO. 18560	DRAWING NO. A1-20-0991	REV A
SCALE N/A	SHEET 3		of 3

REV  
1  
A

DWG. NO. 18560  
A1-20-0996

THIS DOCUMENT AND THE DATA DISCLOSED  
HEREIN OR HERewith IS PROPERTY OF AND  
BELONGS TO ACR ELECTRONICS, INC. FT  
LAUDERDALE, FL. IT IS FURNISHED IN  
CONFIDENCE SOLELY FOR INFORMATIONAL  
PURPOSES. IT IS NOT TO BE REPRODUCED,  
USED OR DISCLOSED IN WHOLE OR IN PART  
TO ANYONE WITHOUT THE PERMISSION OF ACR

REVISIONS				
ZONE	REV	DESCRIPTION	DATE	APPROVED
	A	RELEASE PER ECO 9331	4/14/99	T. Mastur <sup>o</sup>

APR 16 1999

ITEM NO.	QTY REQD	PCOM NO	PART OR IDENTIFYING NO.	NOMENCLATURE OR DESCRIPTION	MATERIAL & SPECIFICATION	
UNLESS OTHERWISE SPECIFIED ALL ANGLES ARE 90° DIMENSIONS ARE IN INCHES TOLERANCES ON FRACTIONS    DECIMALS    ANGLES ± 1/64    .X ± .030    ± 1/2 ° .XX ± .010 .XXX ± .005 ANS-B            SOLIDWORKS			DRAWN	JHA	3/18/99	<b>ACR ELECTRONICS, INC</b> 5757 RAVENSWOOD RD. FT. LAUDERDALE FL 33312 <b>LABEL, WARRANTY VOID</b>
			CHECKED	JM	4/14/99	
			ENG.	JHA	3/18/99	
			APVD.	RCW	4-15-99	
			SIZE	CODE / IDENT. NO.	DRAWING NO.	REV
			A	18560	A1-20-0996	A
			SCALE	SHEET 1		of 3
			NA			

18560 DWG. NO. A1-20-0996 SH 1 REV A



# ART PROOF

Graphic Printing Corp. Boca Raton, FL 561-994-3586 FAX: 561-998-7665

TO: SEITZ

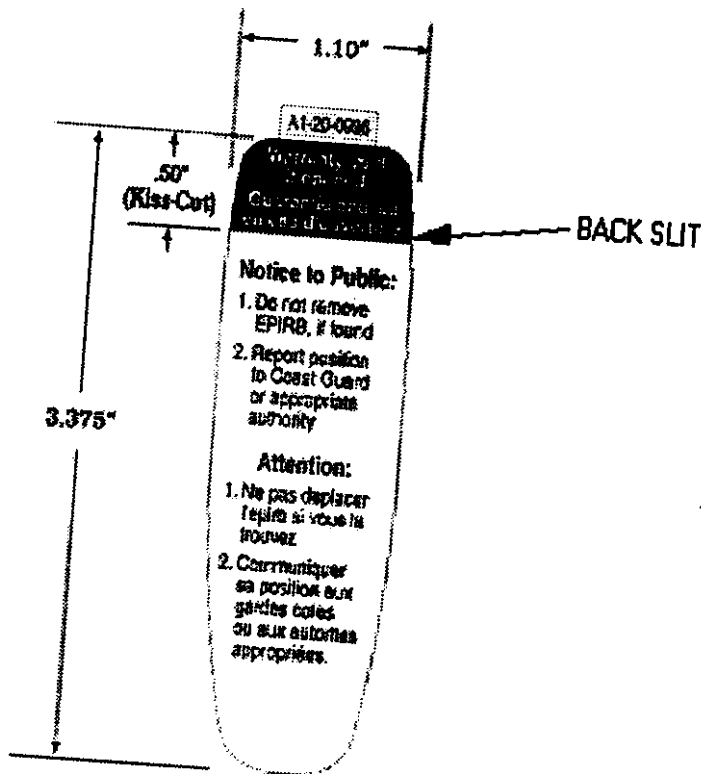
ATTN: LAURA

DATE: 2-22-99

PLEASE EXAMINE THE ATTACHED ARTWORK AND FAX BACK YOUR APPROVAL OR CHANGES

PART NO.: A1-20-0996  
P.O. #

MATERIAL: .004 CLEAR POLYESTER W/467 ADH.  
COLORS: Pms# 282C (Blue) on a Clear Background



**NOT TO SCALE**

SIZE A	CODE IDENT. NO. 18560	DRAWING NO. A1-20-0996	REV A
SCALE N/A	SHEET 2		of 3

18560 DWG. NO. A1-20-0996 SH 3 REV A

NOTES:

1. MATERIAL: .004 THICK, CLEAR POLYESTER #467 ADHESIVE BACKED, WITH LINER.
2. COLOR: BACKGROUND - CLEAR BACKGROUND GRAPHICS/TEXT - PMS 282C (BLUE)
3. FOR LABEL DESIGN, SEE ENGINEERING SAMPLE.
4. MARK BULK PACKAGING WITH ACR PART NUMBER.

SIZE A	CODE IDENT. NO. 18560	DRAWING NO. A1-20-0996	REV A
SCALE N/A		SHEET 3	OF 3

18560 DWG. NO. A1-20-0997

REV 1 A

THIS DOCUMENT AND THE DATA DISCLOSED HEREIN OR HERewith IS PROPERTY OF AND BELONGS TO ACR ELECTRONICS, INC. FT LAUDERDALE, FL. IT IS FURNISHED IN CONFIDENCE SOLELY FOR INFORMATIONAL PURPOSES. IT IS NOT TO BE REPRODUCED, USED OR DISCLOSED IN WHOLE OR IN PART TO ANYONE WITHOUT THE PERMISSION OF ACR

REVISIONS				
ZONE	REV	DESCRIPTION	DATE	APPROVED
	A	RELEASE PER ECO 9331	4/14/99	T. Martin

APR 16 1999

ITEM NO.	QTY REQD	FROM NO	PART OR IDENTIFYING NO.	NOMENCLATURE OR DESCRIPTION	MATERIAL & SPECIFICATION												
<p>UNLESS OTHERWISE SPECIFIED ALL ANGLES ARE 90° DIMENSIONS ARE IN INCHES TOLERANCES ON</p> <table border="1"> <tr> <th>FRACTIONS</th> <th>DECIMALS</th> <th>ANGLES</th> </tr> <tr> <td>± 1/64</td> <td>X ± .030</td> <td>± 1/2 °</td> </tr> <tr> <td></td> <td>XX ± .010</td> <td></td> </tr> <tr> <td></td> <td>XXX ± .005</td> <td></td> </tr> </table>			FRACTIONS	DECIMALS	ANGLES	± 1/64	X ± .030	± 1/2 °		XX ± .010			XXX ± .005		<p>DRAWN JHA 3/18/99</p> <p>CHECKED TM 4/14/99</p> <p>ENG. JHA 3/18/99</p> <p>APPD. <i>[Signature]</i> 4-14-99</p> <p><i>[Signature]</i> RCH 4-15-99</p>	<p><b>ACR ELECTRONICS, INC</b> 5757 RAVENSWOOD RD. FT. LAUDERDALE FL 33312</p> <p><b>ILLUSTRATION, RLB-32, CAT 1 BRACKET</b></p>	
FRACTIONS	DECIMALS	ANGLES															
± 1/64	X ± .030	± 1/2 °															
	XX ± .010																
	XXX ± .005																
ANSI-Z		SOLIDWORKS		SIZE A	CODE IDENT. NO. 18560	DRAWING NO. A1-20-0997	REV A										
SCALE N/A				SHEET 1 OF 3													

18560 DWG. NO. A1-20-0997 SH 1 REV A

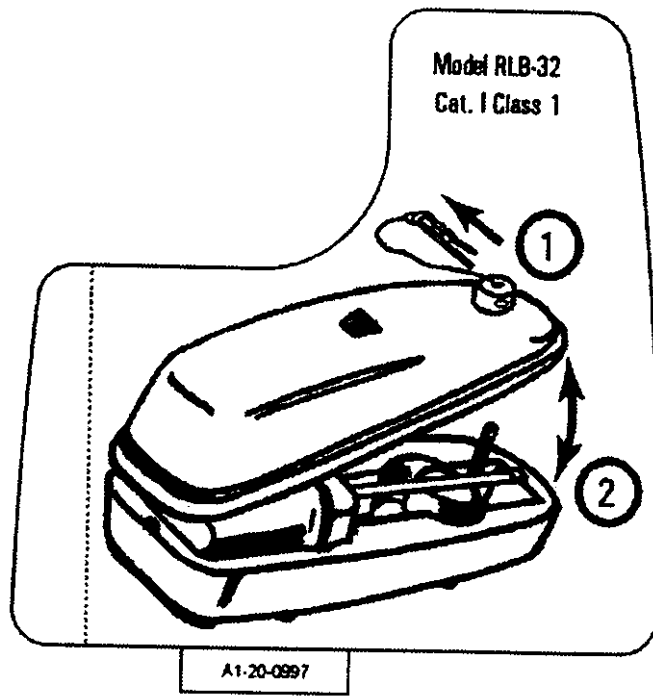
# ART PROOF


Graphic Printing Corp. Boca Raton, FL 561-994-3588 FAX: 561-994-1728

TO: SEITZ                      ATTN: LAURA                      DATE: 2.25.99  
**Please examine the attached artwork and fax back your approval or changes**

PN: A1-20-0997                      PO:                      MATERIAL: .004 CLEAR POLYESTER

**PMS 282C TEXT & GRAPHICS, CLEAR BACKGROUND**



BACK SLIT  
(DASHED LINE) 

**NOT TO SCALE**

SIZE A	CODE IDENT. NO. 18560	DRAWING NO. A1-20-0997	REV A
SCALE N/A		SHEET 2	of 3

18560 DWG. NO. A1-20-0997 SH 3 REV A

NOTES:

1. MATERIAL: .004 THICK, CLEAR POLYESTER  
#467 ADHESIVE BACKED, WITH LINER.
2. COLOR: BACKGROUND - CLEAR BACKGROUND  
GRAPHICS/TEXT - PMS 282C (BLUE)
3. FOR LABEL DESIGN, SEE ENGINEERING SAMPLE.
4. MARK BULK PACKAGING WITH ACR PART NUMBER.

SIZE A	CODE IDENT. NO. 18560	DRAWING NO. A1-20-0997	REV A
SCALE N/A		SHEET 3	of 3

REV 1 A  
 DWG. NO. 18560  
 A1-20-0999

THIS DOCUMENT AND THE DATA DISCLOSED  
 HEREIN OR HEREWITH IS PROPERTY OF AND  
 BELONGS TO ACR ELECTRONICS, INC. FT  
 LAUDERDALE, FL. IT IS FURNISHED IN  
 CONFIDENCE SOLELY FOR INFORMATIONAL  
 PURPOSES. IT IS NOT TO BE REPRODUCED,  
 USED OR DISCLOSED IN WHOLE OR IN PART  
 TO ANYONE WITHOUT THE PERMISSION OF ACR

REVISIONS				
ZONE	REV	DESCRIPTION	DATE	APPROVED
	A	RELEASE PER ECO 9331	4/14/99	T. Myster

APR 16 1999

ITEM NO.	QTY REQD	FORM NO	PART OR IDENTIFYING NO.	NOMENCLATURE OR DESCRIPTION	MATERIAL & SPECIFICATION
UNLESS OTHERWISE SPECIFIED ALL ANGLES ARE 90° DIMENSIONS ARE IN INCHES TOLERANCES ON			DRAWN JHA 3/18/99 CHECKED <i>JM</i> 4/14/99 ENG. JHA 3/18/99 APVD. <i>JM</i> 4-14-99 <i>RC# 4-15-99</i>	<b>ACR ELECTRONICS, INC</b> 5757 RAVENSWOOD RD. FT. LAUDERDALE FL 33312 <b>ILLUSTRATION, RLB-33,            CAT 1 BRACKET</b>	
FRACTIONS ± 1/64	DECIMALS X ± .030 XX ± .010 XXX ± .005	ANGLES ± 1/2 °		SIZE A CODE IDENT. NO. 18560 DRAWING NO. A1-20-0999 SCALE N/A	REV A SHEET 1 OF 3
ANSI-S SOLIDWORKS					



18560 DWG. NO. A1-20-0999 SH 1 REV A

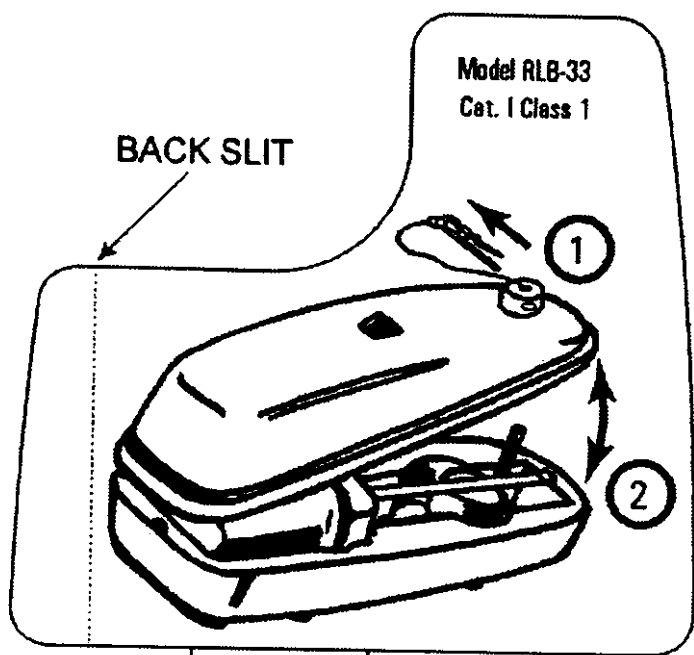
# ART PROOF

Graphic Printing Corp. Boca Raton, FL 561-994-3586 FAX: 561-994-1728

TO: SEITZ                      ATTN: LAURA                      DATE: 2.25.99  
**Please examine the attached artwork and fax back your approval or changes**

PN: A1-20-0999                      PO:                      MATERIAL: .004 CLEAR POLYESTER

**PMS 282C TEXT & GRAPHICS, CLEAR BACKGROUND**



A1-20-0999

**NOT TO SCALE**

SIZE A	CODE IDENT. NO. 18560	DRAWING NO. A1-20-0999	REV A
SCALE N/A		SHEET 2	of 3

18560 DWG. NO. A1-20-0999 SH 3 REV A

NOTES:

1. MATERIAL: .004 THICK, CLEAR POLYESTER  
#467 ADHESIVE BACKED, WITH LINER.
2. COLOR: BACKGROUND - CLEAR BACKGROUND  
GRAPHICS/TEXT - PMS 282C (BLUE)
3. FOR LABEL DESIGN, SEE ENGINEERING SAMPLE.
4. MARK BULK PACKAGING WITH ACR PART NUMBER.

SIZE A	CODE IDENT. NO. 18560	DRAWING NO. A1-20-0999	REV A
SCALE N/A	SHEET 3		of 3