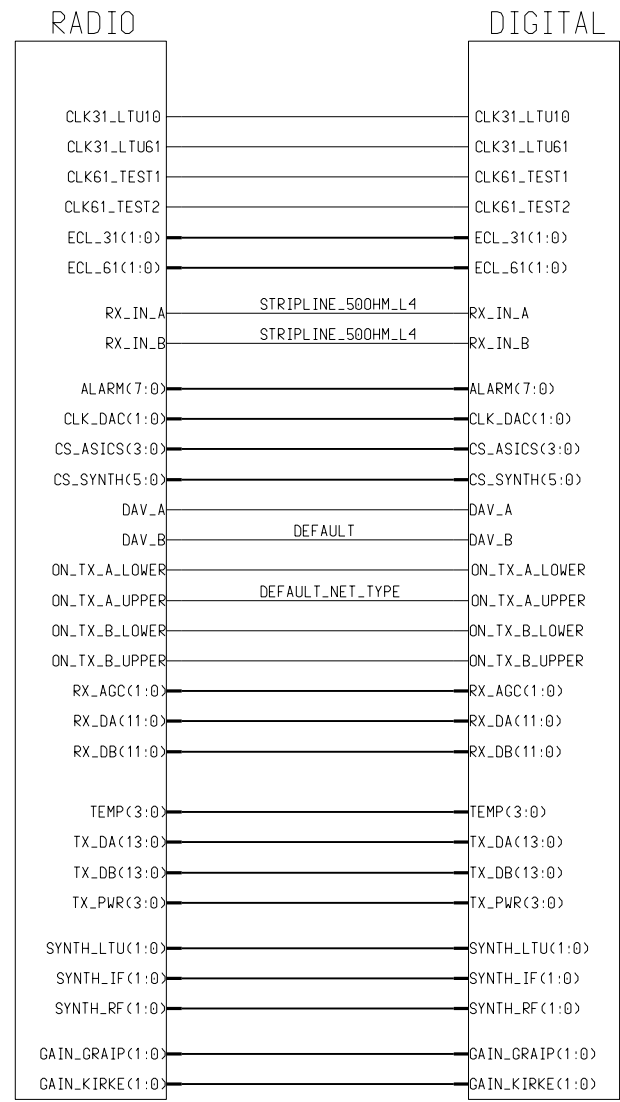


Prepared (also subject responsible if other)		No.		
ERA/RKF/VR Larry Lindström		B5KPROJ1192211-1		
Approved	Checked	Date	Rev	Reference
KI/ERA/RKF/VR (L Lindström)		2002-11-08	A	

1 EXHIBIT 4 – BLOCK DIAGRAMS

Contents

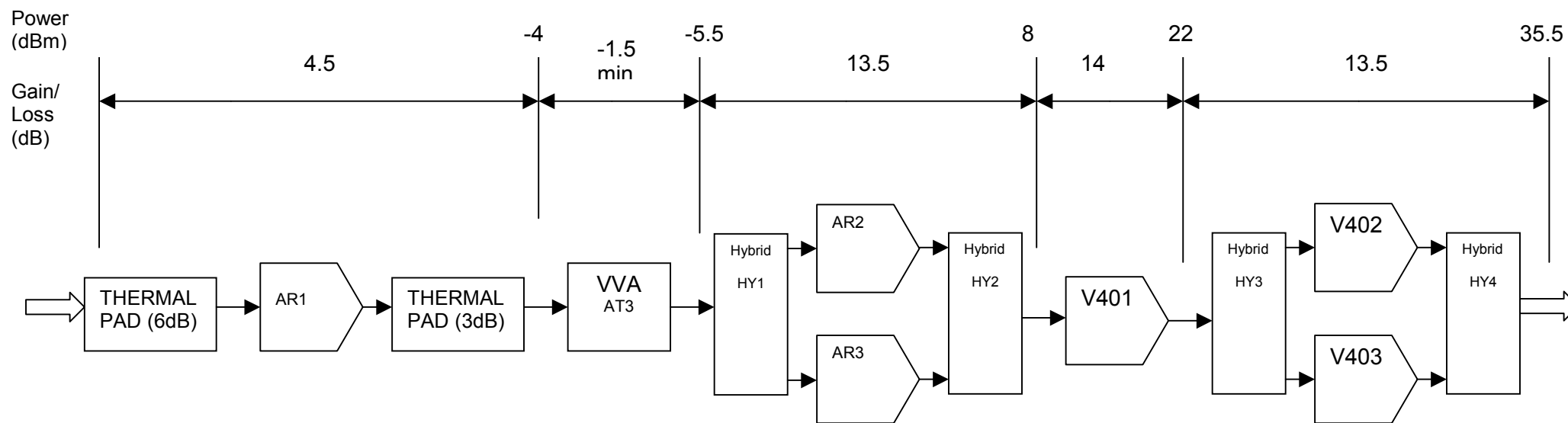
1	EXHIBIT 4 – BLOCK DIAGRAMS	1
1.1	TRXB 1900 MHz WCDMA 1911-ROJ 119 2211/1	2
1.2	MCPA First Stage 1900 WCDMA 1913-ROA 117 8766/1	3
1.3	MCPA Second Stage 1900 WCDMA 1913-ROA 117 8810/1	4
1.4	MCPA Third Stage 1900 WCDMA 1913-ROA 117 8811/1	5



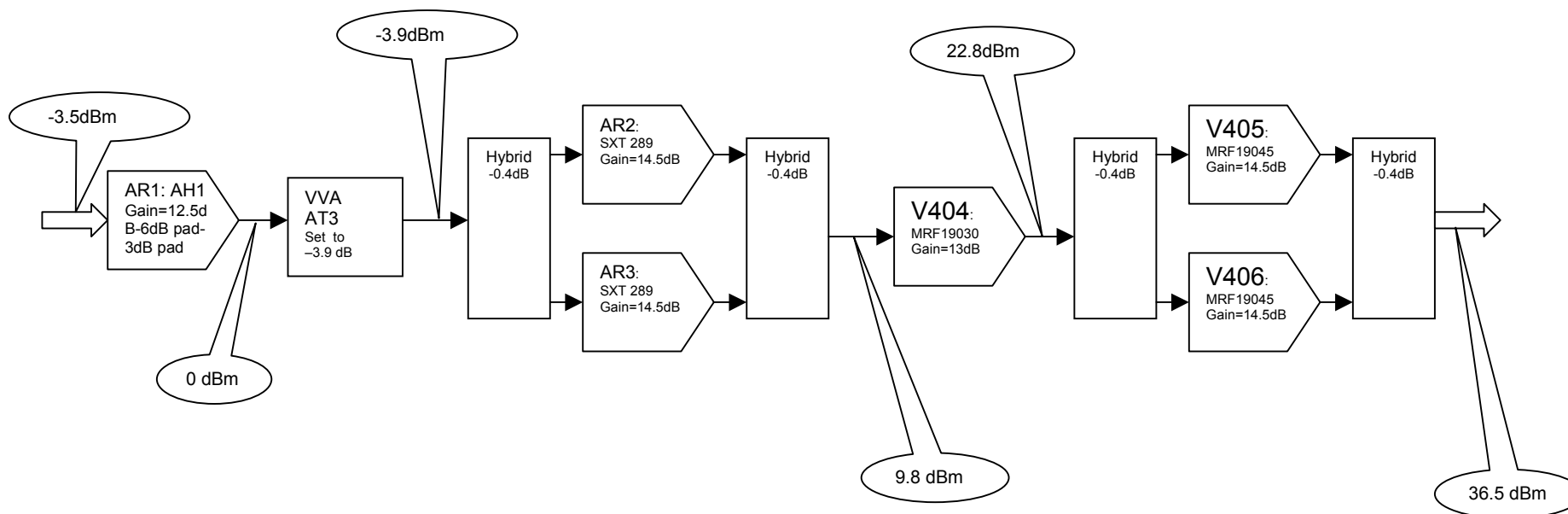
PCB will be modified starting from PCB revision R6A of TRXB 3.3 (ROJ 119 2125/3)

		Prepared (also subject responsible if other)	
References		Doc respons/Approved	Date
TOP		EED/N/WRC EEDRAU	2002-09-06
PS1 board		Product name	Rev
TRXB 1900		WICTORIA-TRX	C
Document no			Sheet
1911-ROJ 119 2211/1 Ux			1(35)

EPA Block Diagram



EPA Block Diagram



MPA Block Diagram

$P_{\text{gain total}} = 12.5 \text{ dB}$

