

APPLICANT:
Ericsson Radio Systems AB

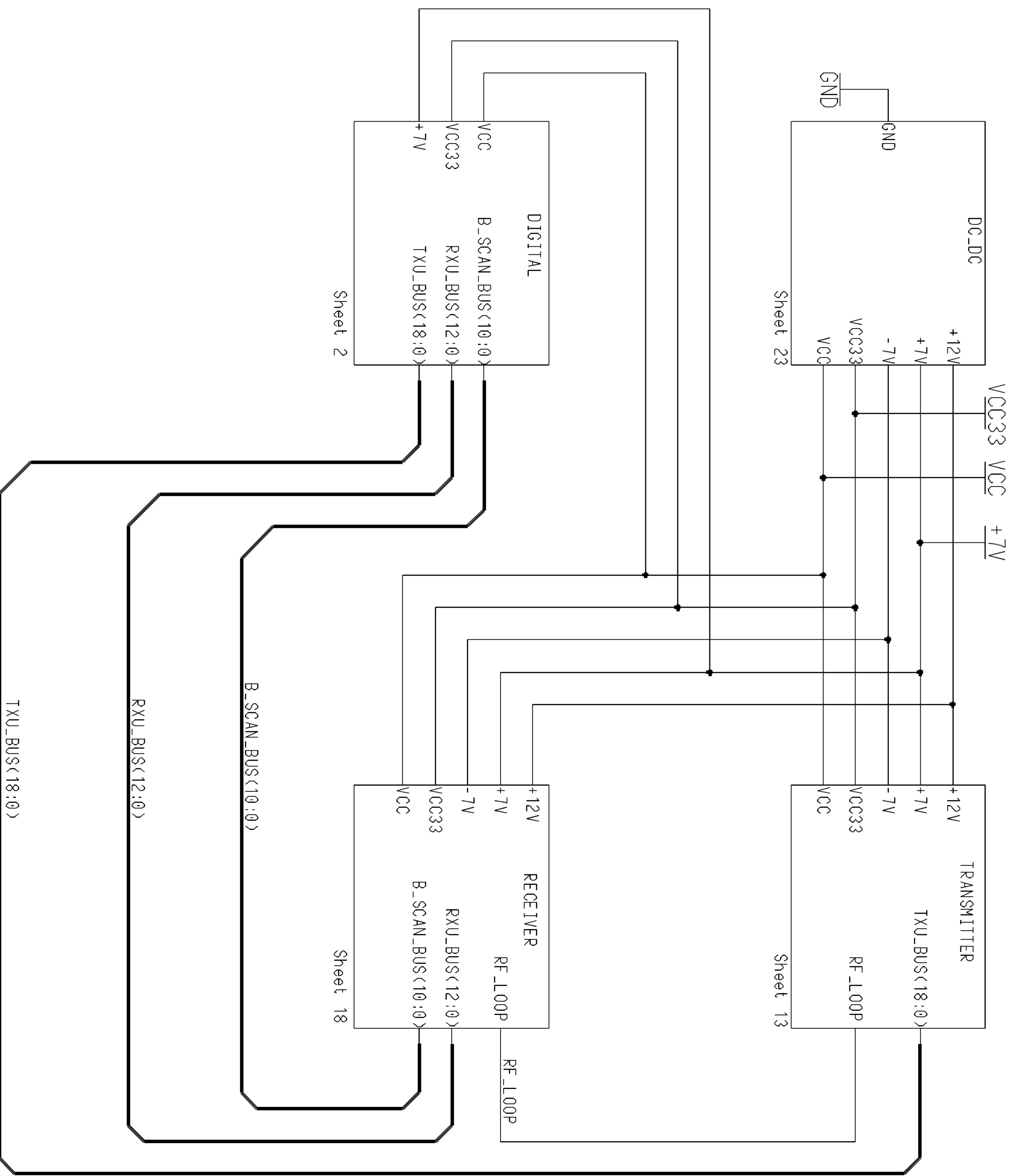
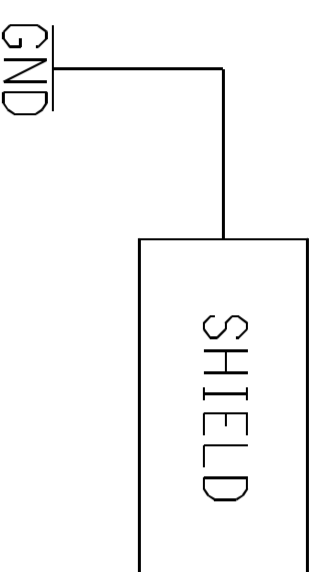
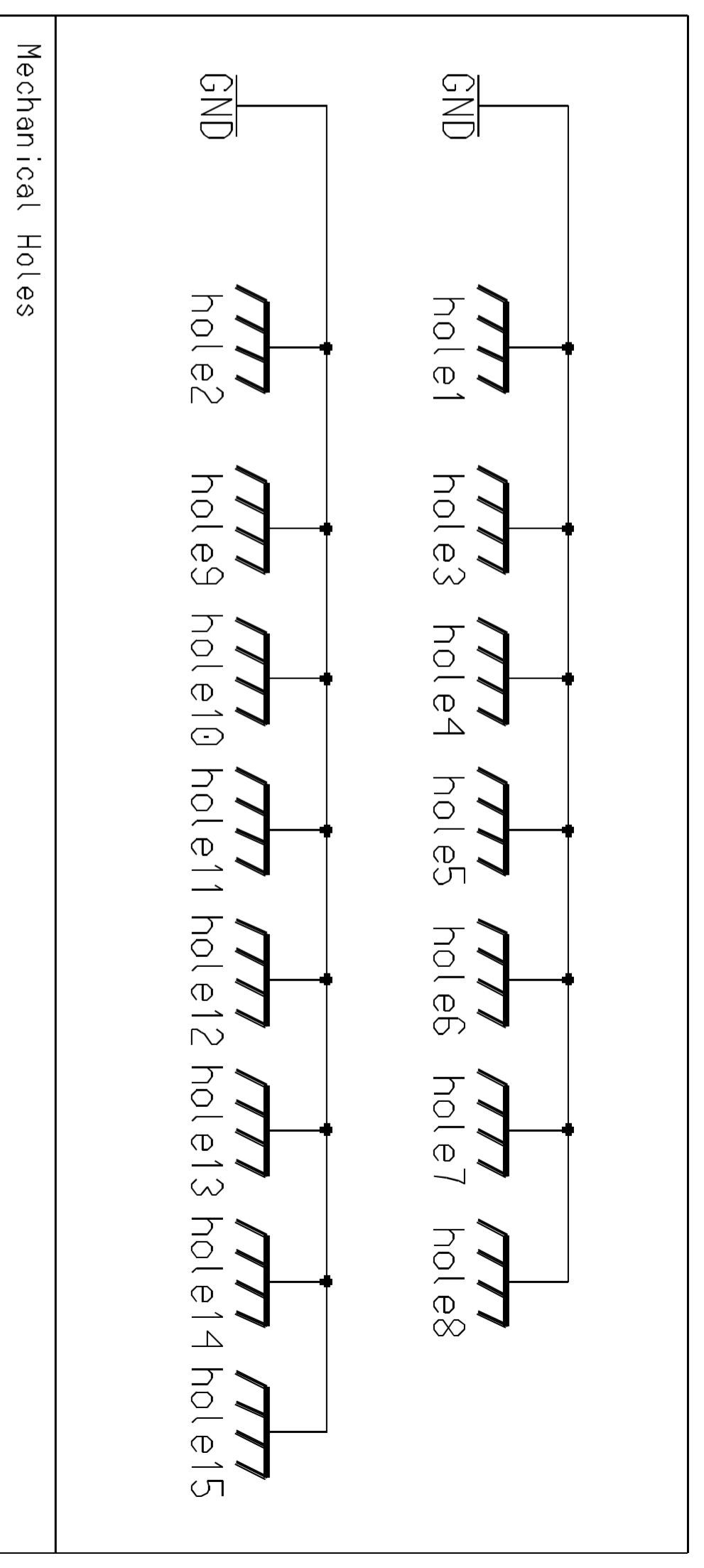
EXHIBIT 4
FCC ID NO.
B5KKRC13149-15

EXHIBIT 4 - COVER SHEET

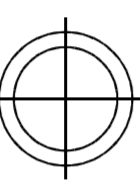
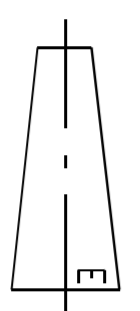
Table of Contents

Block Diagram 1911-ROA 117 9343/1 Ux

3 pages



Sheet	1	2	3	4	5	6	7	8	9	10	11	12	13	14	15	16	17	18	19	20	21	22	23
Rev	PA3	PA3	PA3	PA3	PA3	PA3	PA3	PA3	PA3	PA3	PA3	PA3	PA3	PA3	PA3	PA3	PA3	PA3	PA3	PA3	PA3	PA3	PA3



Prepared (also subject responsible if other)
QRAERLH

References
MGC BS C.2

Doc respons/Approved
ERA/LRN/FA

Date
99-07-07

Rev
PA3

Product name

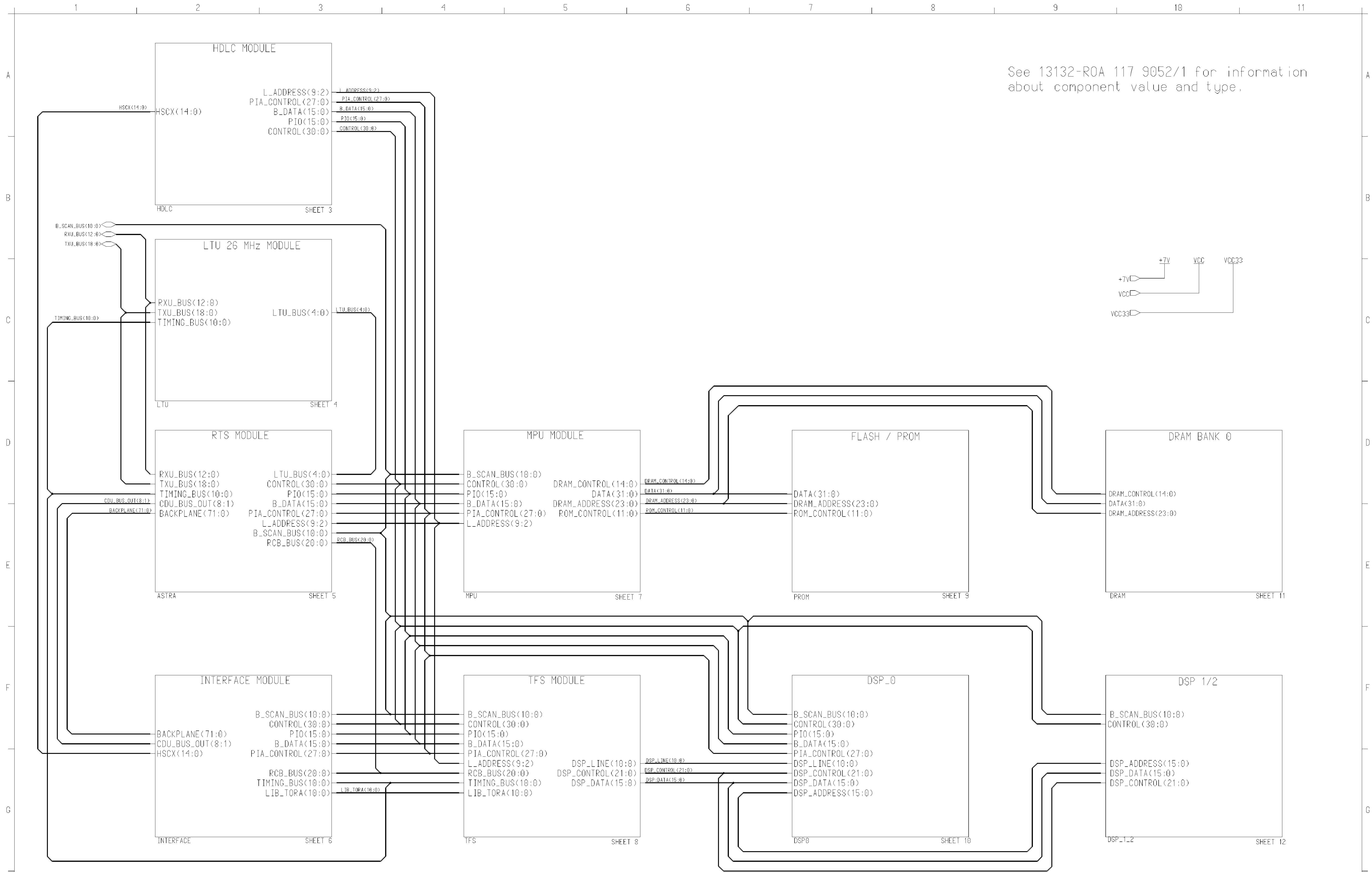
RDU 1900 A5/1 Top-level

Document no

1911-R0A 117 9343/1 UX

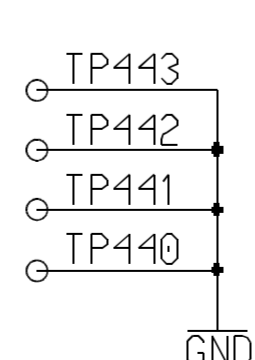
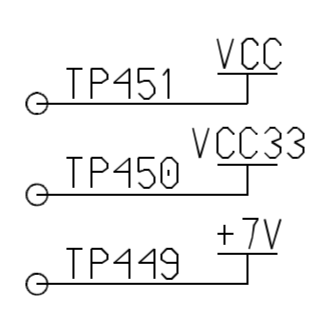
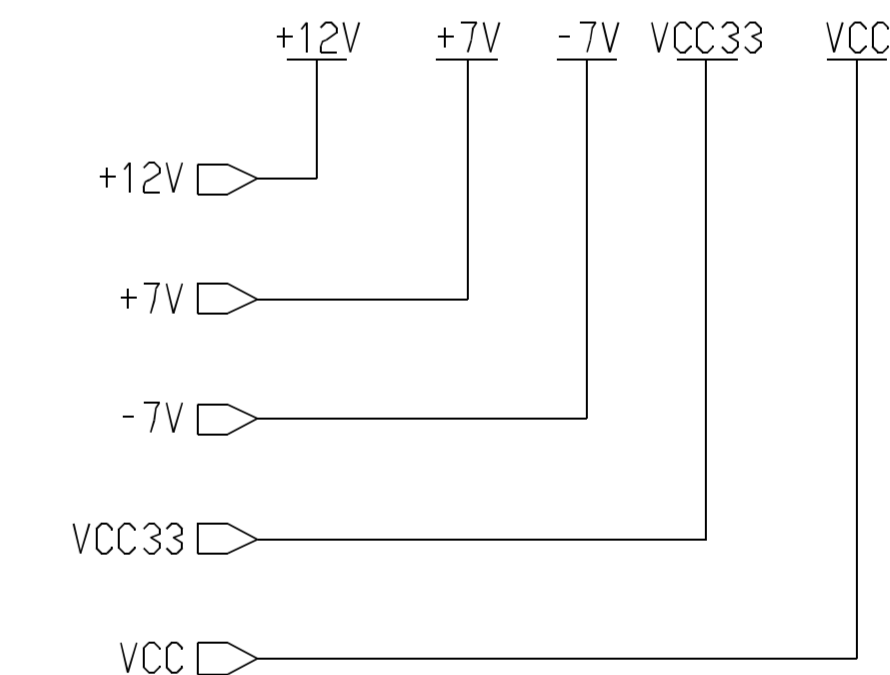
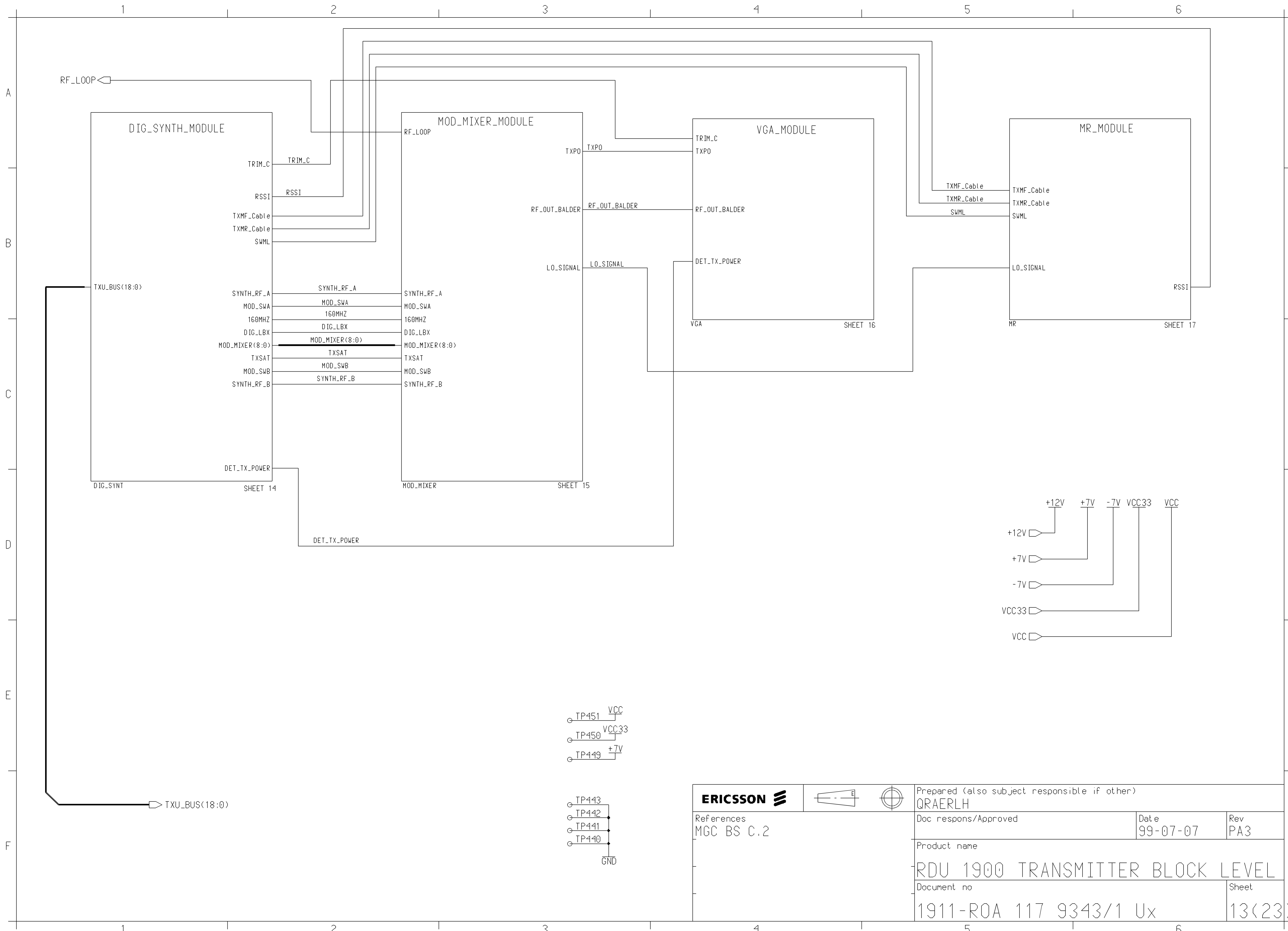
Sheet

1 (23)



See 13132-ROA 117 9052/1 for information about component value and type.

ERICSSON References MGC BS C.2	Prepared (also subject responsible if other) ERA/LRN/RT ERAMARE QRAERLH
	Doc respons/Approved ERA/LRN/RTC
Date 99-07-07	Rev PA3
Product name RDU 1900 DIGITAL BLOCK LEVEL	
Document no 1911-ROA 117 9343/1 Ux	Sheet 2(23)



ERICSSON		Prepared (also subject responsible if other) QRAERLH	
References MGC BS C.2	Doc respons/Approved	Date 99-07-07	Rev PA3
Product name RDU 1900 TRANSMITTER BLOCK LEVEL			
Document no 1911-ROA 117 9343/1 Ux			Sheet 13(23)