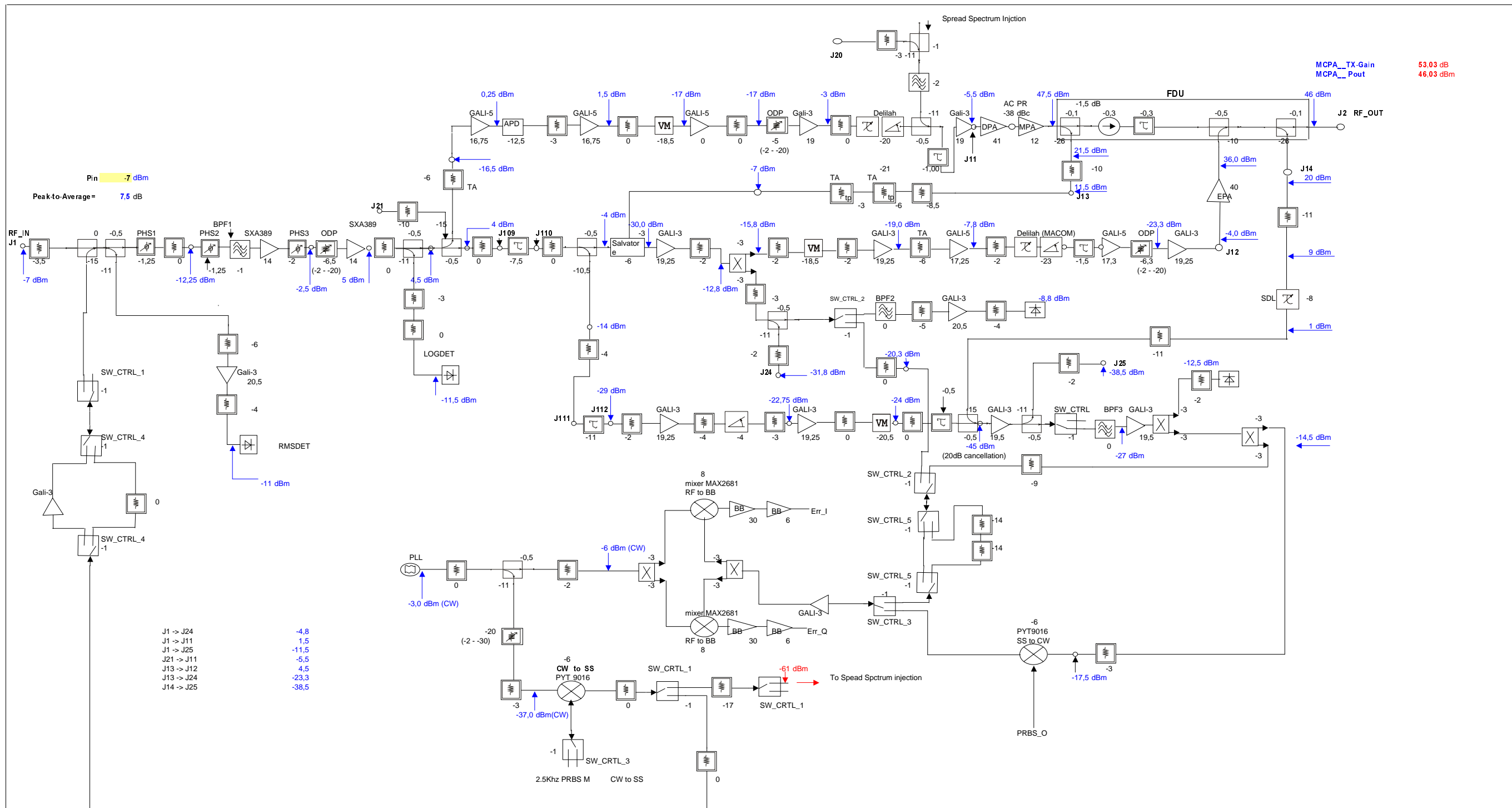


Prepared (also subject responsible if other)		No.		
EAB/RWG/RB Larry Lindström		B5KAKRB1011112-2		
Approved	Checked	Date	Rev	Reference
KI/EAB/RWG/RB (L Lindström)		2003-11-25	A	

1 EXHIBIT 4 – BLOCK DIAGRAMS

Contents

1	EXHIBIT 4 – BLOCK DIAGRAMS	1
1.1	MCPA 1900 WCDMA 2/1913-KRB 101 1112/2 Uen Block Diagram	2
1.2	MCPA WCDMA 1/1913-ROA 101 1112/1 Function Diagram	3



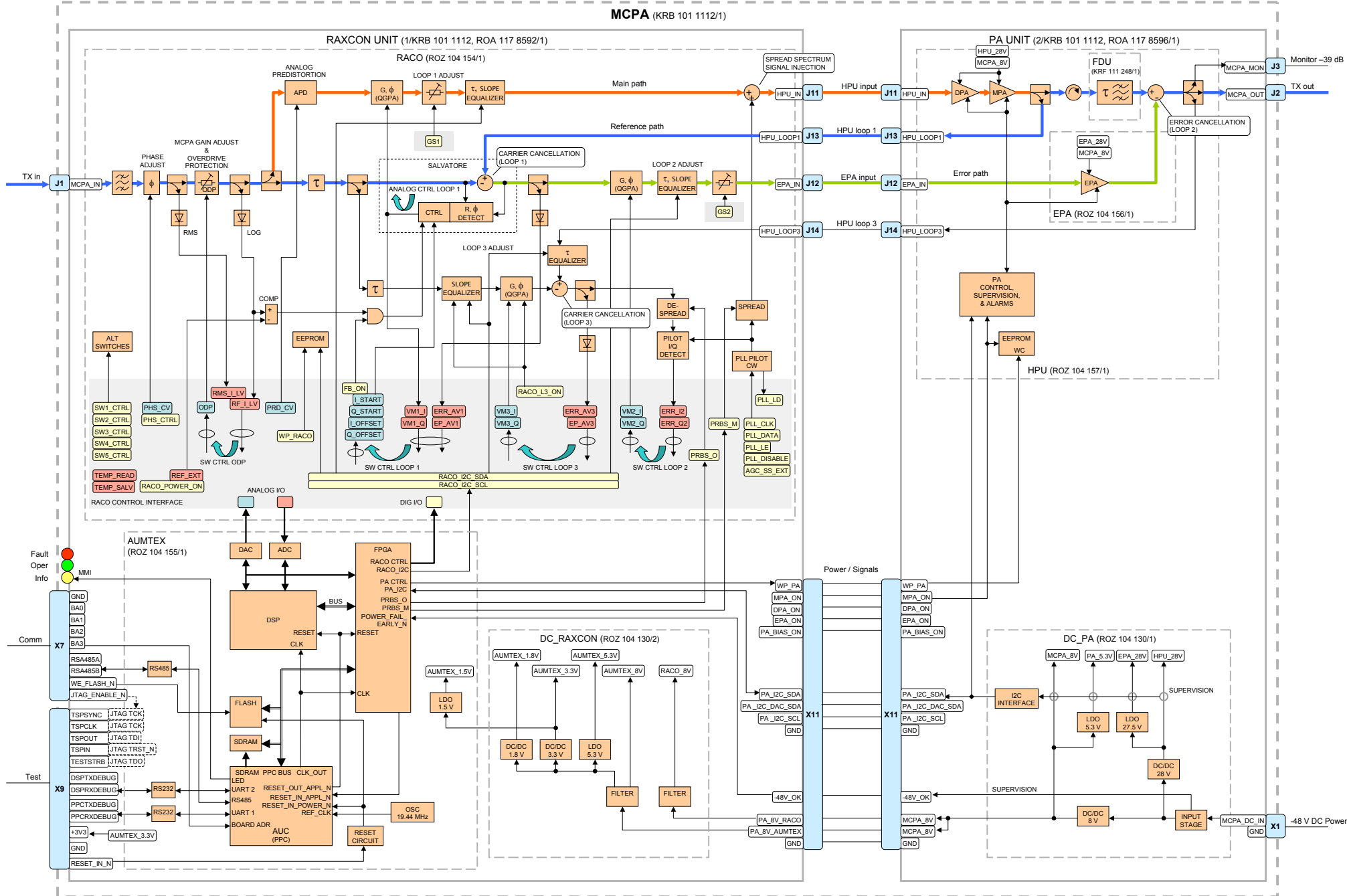
Pin -7 dBm
Peak-to-Average = 7.5 dB

J1 -> J24 -4.8
J1 -> J11 1.5
J1 -> J25 -11.5
J21 -> J11 -5.5
J13 -> J12 4.5
J13 -> J24 -23.3
J14 -> J25 -38.5

MCPA_TX-Gain 53.03 dB
MCPA_Pout 46.03 dB

		Uppgjord - Prepared	
		EAB/RWL/RL G. Spee	
Dokansv/Godk - Doc respons/Approved		Datum - Date	Rev.
EAB/RWL/R O. Engdahl		2003-09-04	A
Produktbenämning - Product name			
BLOCKDIAGRAM MCPA P0			
Dokumentnr - Document No.		Blad - Sheet	
2/1913 -KRB 101 1112/2 Uen		1(1)	

Block Diagram, MCPA



- Level detector
- Circulator
- Directional coupler
- Delay
- Directional coupler or circuit for addition or subtraction of signals
- Reference path
- Main path
- Error path



Licensed internal
 BLOCK DIAGRAM 1(1)

Uppgift (även faktatransång om annan) - Prepared (also subject responsible if other)		Rev - No	1/1913-KRB 101 1112/1 Uen
EMALMHA		Kontroll - Checked	Datum - Date
Dokument/Godk - Doc respons/Approved		Rev	File
EAB/RWL/T (Anders Samuelsson)		2003-02-06	B