

6

5

4

3

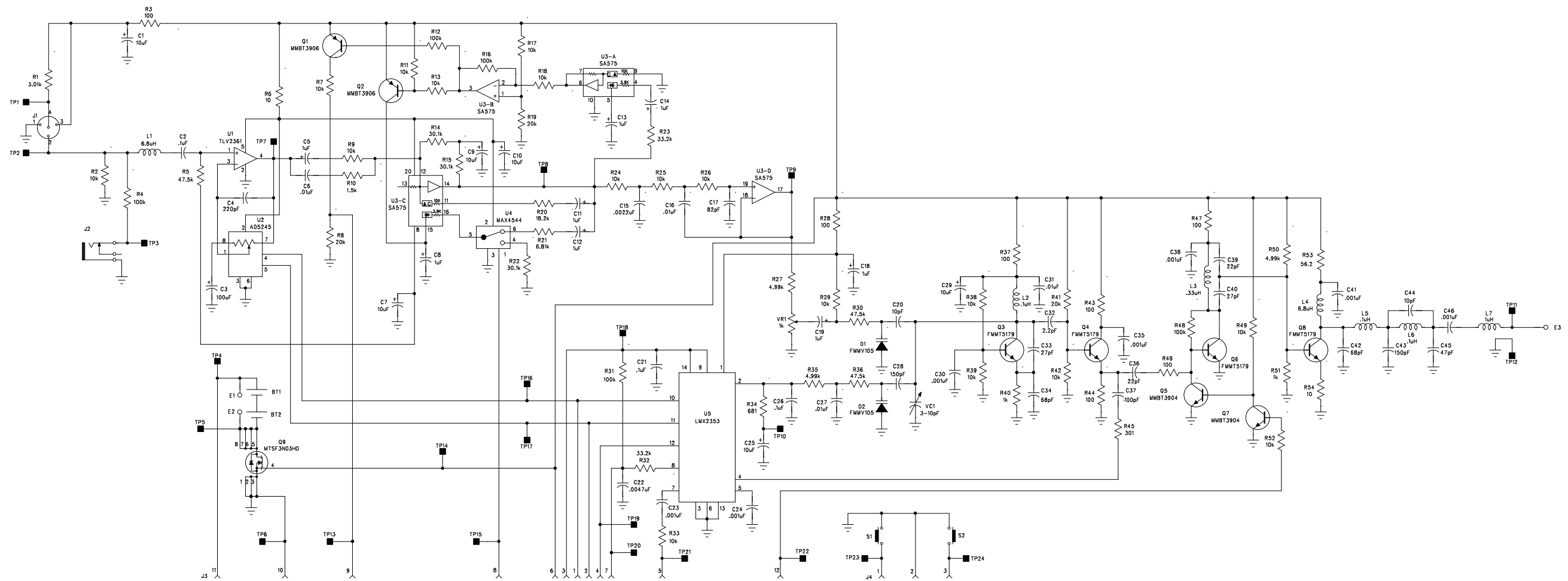
2

1

770907

THIS DRAWING, WRITTEN DESCRIPTION OF SPECIFICATION REPRESENTS A PROPRIETARY PRODUCT OF TELEX, LINCOLN, NE, AND SHALL NOT BE RELEASED, DISCLOSED, NOR DUPLICATED WITHOUT THE WRITTEN PERMISSION OF TELEX.

REVISION RECORD				
ECO NO:	LTR	DESCRIPTION	DATE:	APPROVED:
5-000023	2	PRELIMINARY REV 2.	5/22/04	DDN

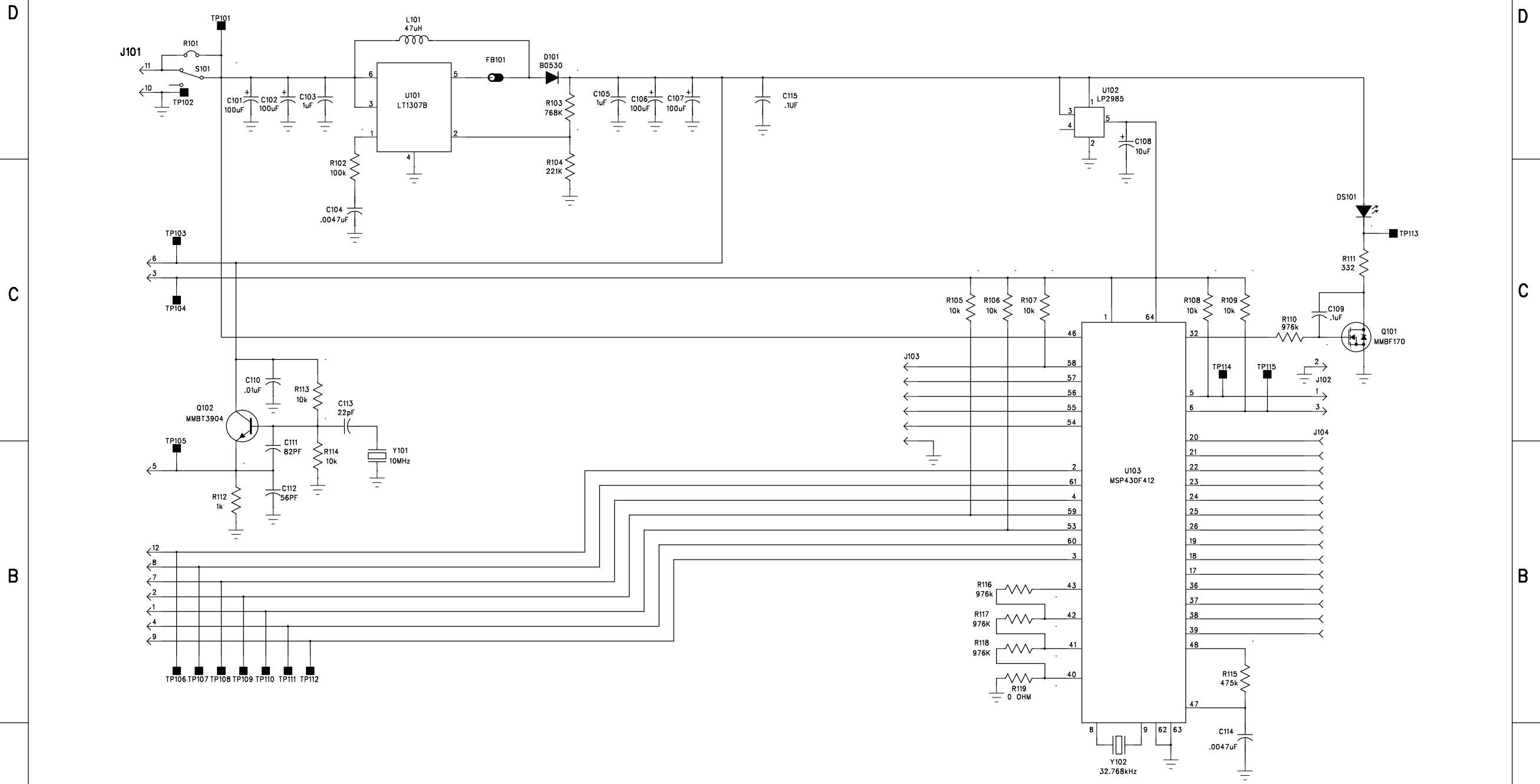


UNSPECIFIED LIMITS OF TOLERANCE	DATED: 3/2/04	TELEX TELEX COMMUNICATIONS INC. LINCOLN NEBRASKA U.S.A.
DECIMAL: .X = +/- .050 IN .XX = +/- .030 IN .XXX = +/- .010 IN	DRAWN: R. BASINE	
ANGLES +/- 1°; BENDS +/- 2°	CHECKED: DDN	TITLE: SCHEMATIC PST-170 MAIN BOARD
STRAIGHTNESS AND/OR FLATNESS .005 IN/1 IN.	APPD:	SIZE: D CODE: 57010 DRAWING NO: 770907
CONCENTRICITY .010 TIR	PROD:	SCALE: SHEET: 1 OF 1
UNMARKED ANGLES, BENDS AND INTERSECTIONS 90°	MATERIAL:	
THREADS- EXT. CLASS 2A INT. CLASS 2B		
NEXT ASSY: USED ON: APPLICATIONS:		

600766000

THIS DRAWING, WRITTEN DESCRIPTION OF SPECIFICATION REPRESENTS A PROPRIETARY PRODUCT OF TELEX, LINCOLN, NE, AND SHALL NOT BE RELEASED, DISCLOSED, NOR DUPLICATED WITHOUT THE WRITTEN PERMISSION OF TELEX.

REVISION RECORD				
ECO NO:	LTR	DESCRIPTION	DATE:	APPROVED:
04-05-04	1	PRELIMINARY	04/13/04	
	2	CHANGED PIN OUT ON J101	04/14/04	
	3	ADDED FB101 AND C115	04/28/04	
5-000017	4	VALUE CHANGES	05/18/04	



1. REFERENCED TO PC BOARD 600765000.

NOTES:

600758000	SR-400/PST-170
NEXT ASSY:	USED ON:
APPLICATIONS:	

UNSPECIFIED LIMITS OF TOLERANCE
 DECIMAL:
 .X = +/- .050 IN
 .XX = +/- .030 IN
 .XXX = +/- .010 IN
 FRACTION:
 MACHINED
 FINISHED:
 ANGLES +/- 1°; BENDS +/- 2°
 STRAIGHTNESS AND/OR
 FLATNESS .005 IN/1 IN.
 CONCENTRICITY .010 TIR
 UNMARKED ANGLES, BENDS
 AND INTERSECTIONS 90°
 THREADS- EXT. CLASS 2A
 INT. CLASS 2B

DATED:	3/11/04
DRAWN:	R. BASINE
CHECKED:	
APPD:	
PROD:	
MATERIAL:	

TELEX
 TELEX COMMUNICATIONS INC.
 LINCOLN NEBRASKA U.S.A.

TITLE:
 SR-400/PST-170 DIGITAL BOARD

SIZE:	CODE:	DRAWING NO:
C	57010	600766000
SCALE: NONE	SHEET: 1 OF 1	