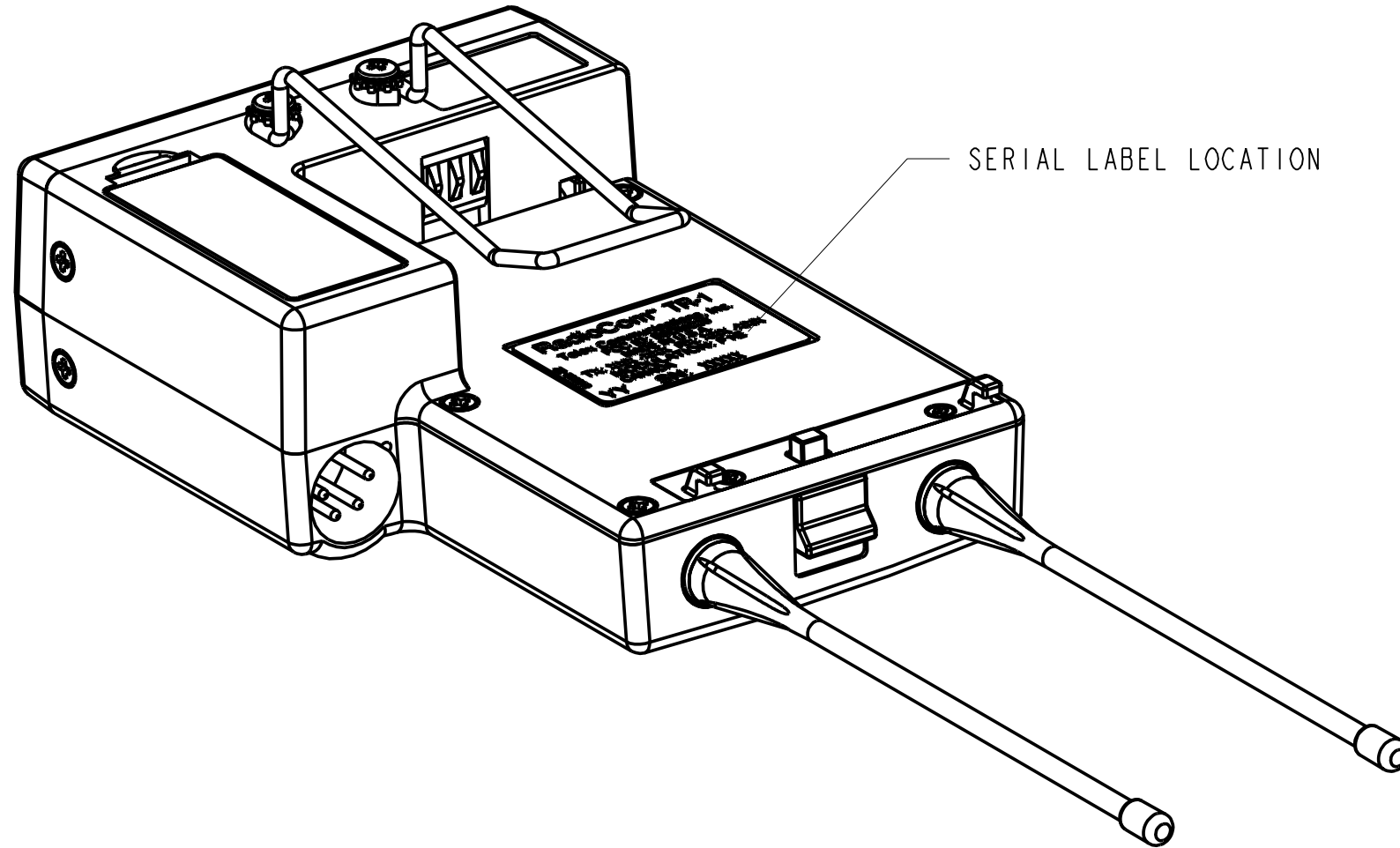


N/A

		REVISIONS	
CHG NO	LTR	DESCRIPTION	DATE
			APPD

This drawing, written description or specification represents a proprietary product of TELEX, Lincoln, NE., and shall not be released, disclosed, nor duplicated without the written permission of TELEX



QTY	DESCRIPTION	ITEM	PART NO.	SPECIFICATION		
	UNSPECIFIED LIMITS OF TOLERANCE	DATE	18-MAY-04	<p style="text-align: center;">Telex® TELEX COMMUNICATIONS INC. Lincoln Nebraska U.S.A.</p>		
	DECIMAL:	DR BY	PSE			
	.X = ±.030 IN FRACTION:	CHK BY	-----			
	.XX = ±.010 IN MACHINED	APPD.	-----			
	.XXX = ±.005 IN. FINISH: 64 ✓	PROD.	-----	<p style="text-align: center;">SERIAL LABEL LOCATION FOR THE TR-1</p>		
	ANGLES ±1°, BENDS ±2°	MATERIAL:	N/A			
	STRAIGHTNESS AND/OR FLATNESS .005 IN./1 IN.			SIZE	CODE IDENT	DWG. NO.
	CONCENTRICITY .010 TIR			B	57010	N/A
	UNMARKED ANGLES, BENDS AND INTERSECTIONS 90°			SCALE: NONE		
NEXT ASSY.	USED ON			SHEET: 1 OF 1		
APPLICATIONS						