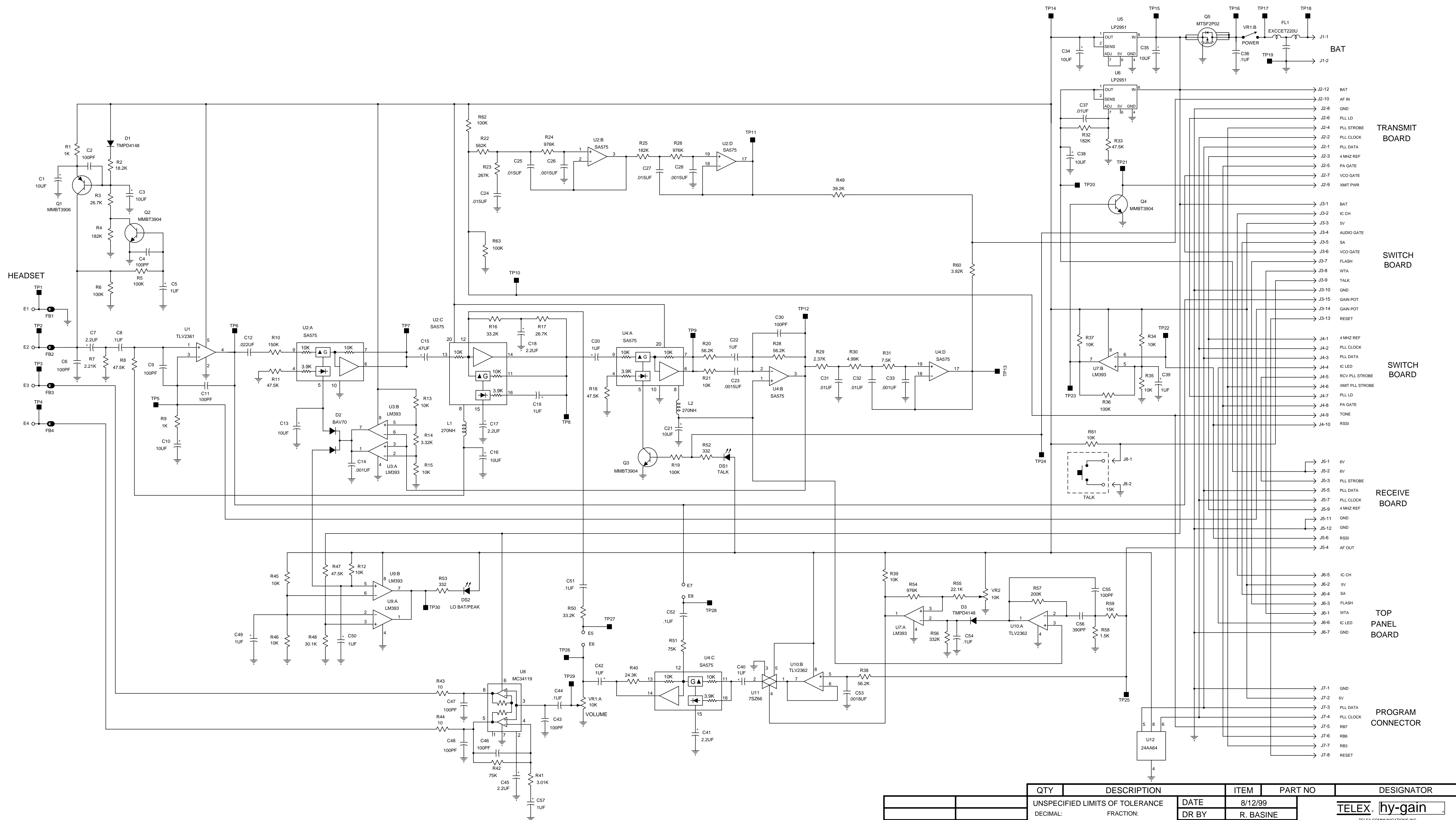


This drawing, written description or specification represents a proprietary product of TELEX, Lincoln, NE., and shall not be released, disclosed, nor duplicated without the written permission of TELEX.

SHEET REV					REVISIONS				
4	3	2	1	SHT REV	CHG NO	LTR	DESCRIPTION	DATE	APPD
						PB	REVISED CHANGES FROM 11/09/00 AND ON	11/13/00	TJY
						PC	VALUE CHANGES, DELETED PARTS AND ADDED TEST POINT 25	12/12/00	TJY



1. REFERENCE TO BOARD 750497.

NOTES:

QTY	DESCRIPTION	ITEM	PART NO	DESIGNATOR
	UNSPECIFIED LIMITS OF TOLERANCE	DATE	8/12/99	
	DECIMAL: FRACTION:	DR BY	R. BASINE	
	.X = .050 IN	CHK BY		
	.XX = .030 IN	APPD.		
	.XXX = .010 IN	PROD		
	ANGLES 1 : BENDS 2 +	MATERIAL:		
	STRAIGHTNESS AND/OR			
	FLATNESS .005 IN/1 IN.			
	CONCENTRICITY .010 TIR			
	UNMARKED ANGLES, BENDS			
	AND INTERSECTIONS 90			
	THREADS- EXT. CLASS 2A			
	INT. CLASS 2B			
NEXT ASSY.	USED ON			
APPLICATIONS				

SIZE	CODE IDENT	DWG. NO.
D	57010	770643
SCALE	SHEET	1 OF 1

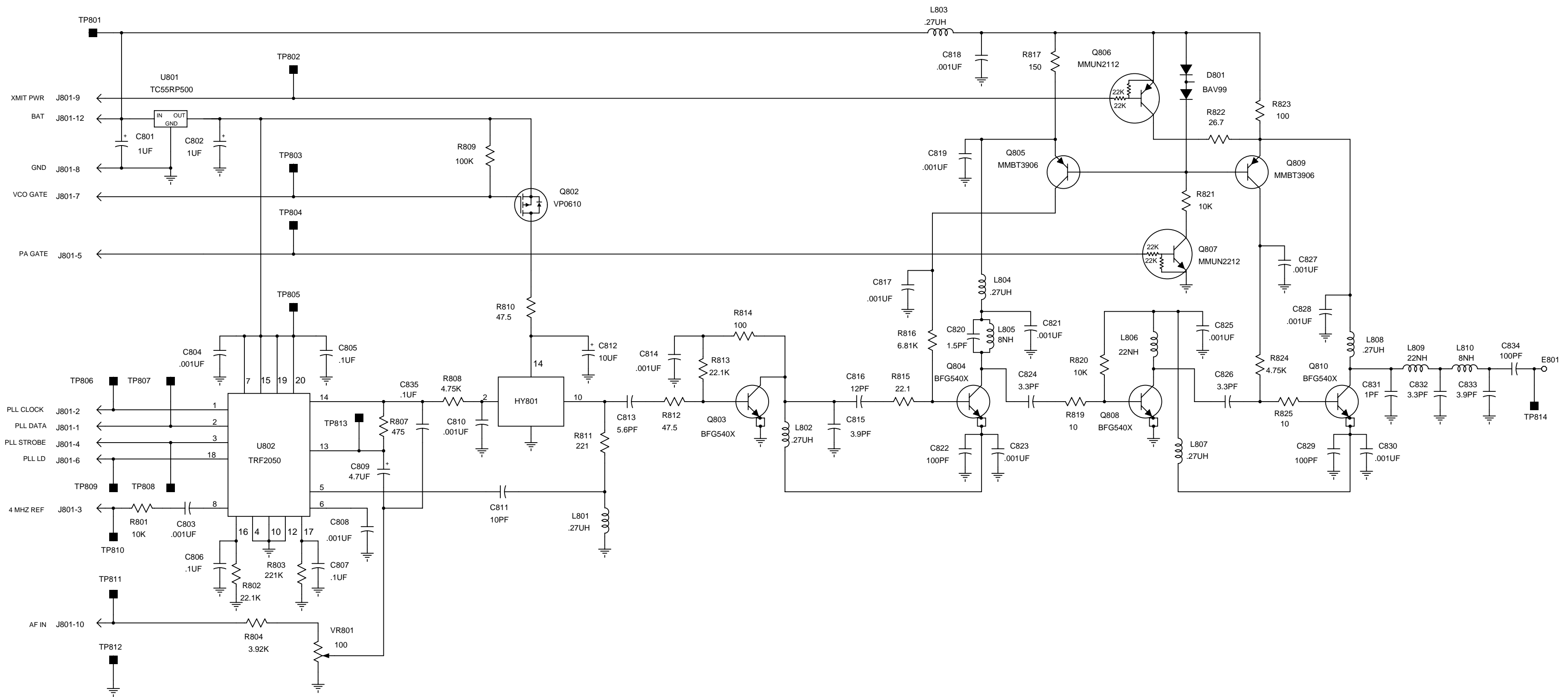


TELEX COMMUNICATIONS INC.
Lincoln, Nebraska U.S.A.

TITLE
TR-800 AUDIO BOARD

This drawing, written description or specification represents a proprietary product of TELEX, Lincoln, NE., and shall not be released, disclosed, nor duplicated without the written permission of TELEX

REVISIONS				
CHG.NO.	LTR	DESCRIPTION	DATE	APPD
	PB	PRE-RELEASE	10/20/00	DN
	PC	PRE-RELEASE	11/28/00	TJY



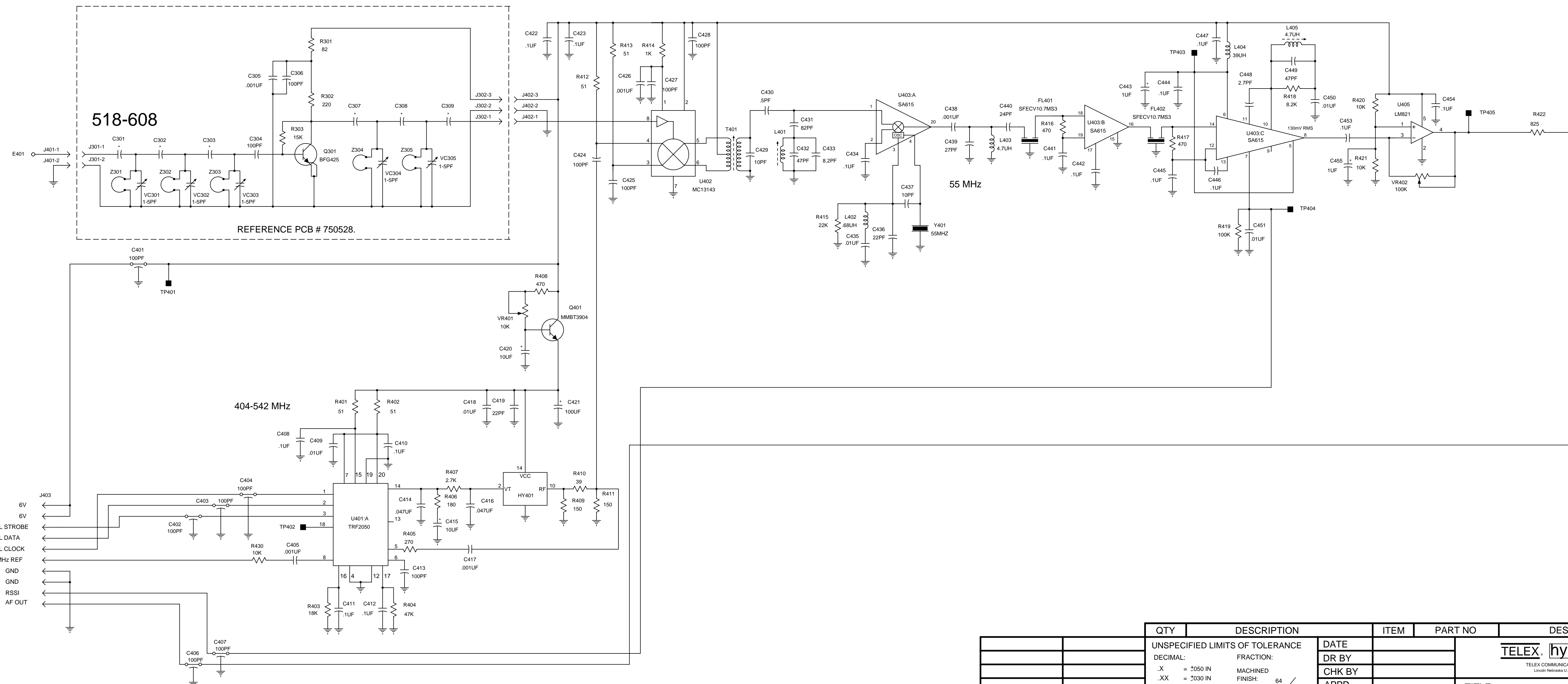
		DESCRIPTION	ITEM	PART NO.	SPECIFICATION
		UNSPECIFIED LIMITS OF TOLERANCE	DATE	7/12/00	
		DECIMAL: .X = ±.050 IN .XX = ±.030 IN .XXX = ±.010 IN	DR BY	R. BASINE	
		FRACTION: MACHINED FINISH: 64	CHK BY		TITLE TR700 TRANSMIT BOARD
		ANGLES 1', BENDS 2 ± °	APPD.		
		STRAIGHTNESS AND/OR FLATNESS .005 IN./1 IN.	PROD.		SIZE
		CONCENTRICITY .010 TIR	MATERIAL:		CODE IDENT
		UNMARKED ANGLES, BENDS AND INTERSECTIONS 90 °			DWG. NO.
NEXT ASSY.	USED ON	THREADS- EXT. CLASS 2A INT. CLASS 2B			57010
APPLICATIONS					770644
					SCALE:
					SHEET:

This drawing, written description or specification represents a proprietary product of TELEX, Lincoln, NE., and shall not be released, disclosed, nor duplicated without the written permission of TELEX.

SHEET					REV					REVISIONS				
4	3	2	1	SHT	REV	CHG NO	LTR	DESCRIPTION			DATE	APPD		
				REV	STATUS	PB	PRELIMINARY.			10/5/00				

* FREQUENCY DEPENDENT COMPONENTS TABLE

FREQ (MHZ)	DESIGNATOR						
	Z301 Z302 Z303 (723518 FAM)	Z304 Z305 (723518 FAM)	C301 C304	C302 C303	C307 C309	C308	HY401
518-536	583	587	2.7PF	1.0PF	2.7PF	.8PF	Z-COMM V-0600
536-554	603	607	2.7PF	.9PF	2.7PF	.8PF	Z-COMM V-0600
554-572	623	627	2.2PF	.9PF	2.2PF	.8PF	Z-COMM V-0600
572-590	643	647	2.2PF	.8PF	2.2PF	.7PF	Z-COMM V-0600
590-608	663	667	2.2PF	.8PF	2.2PF	.7PF	Z-COMM V-0600
614-632	690	694	2.2PF	.7PF	2.2PF	.6PF	???
632-650	710	714	1.8PF	.7PF	2.2PF	.6PF	???
650-668	731	734	1.8PF	.7PF	1.8PF	.6PF	???
668-686	751	755	1.8PF	.6PF	1.8PF	.5PF	???
686-704	772	775	1.8PF	.6PF	1.8PF	.5PF	???



1. REFERENCE PCB # 750498.

NOTES:

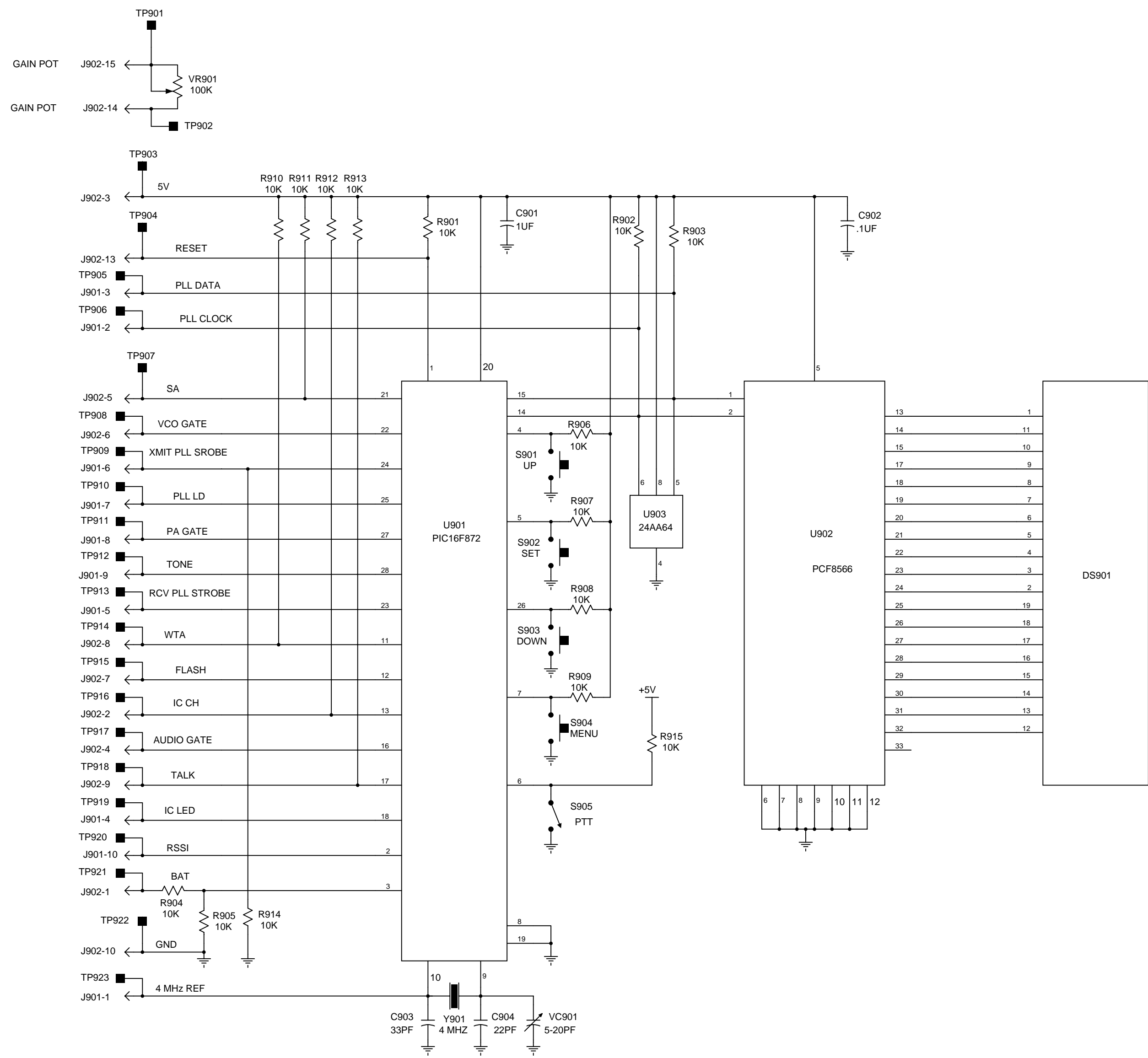
QTY	DESCRIPTION	ITEM	PART NO	DESIGNATOR
	UNSPECIFIED LIMITS OF TOLERANCE			
	DECIMAL:			
	.X = .050 IN			
	.XX = .030 IN			
	.XXX = .010 IN			
	ANGLES: 1 : BENDS 2 +			
	STRAIGHTNESS AND/OR			
	FLATNESS .005 IN/1 IN.			
	CONCENTRICITY .010 TIR			
	UNMARKED ANGLES, BENDS			
	AND INTERSECTIONS 90			
	THREADS- EXT. CLASS 2A			
	INT. CLASS 2B			
NEXT ASSY.	USED ON			
APPLICATIONS				

DATE			
DR BY			
CHK BY			
APPD.			
PROD			
MATERIAL:			

TELEX hy-gain		TELEX COMMUNICATIONS INC. Lincoln, Nebraska U.S.A.	
TITLE			
TR-700 RECEIVER			
SIZE	CODE IDENT	DWG. NO.	770645
D	57010		
SCALE		SHEET	

This drawing, written description or specification represents a proprietary product of TELEX, Lincoln, NE., and shall not be released, disclosed, nor duplicated without the written permission of TELEX

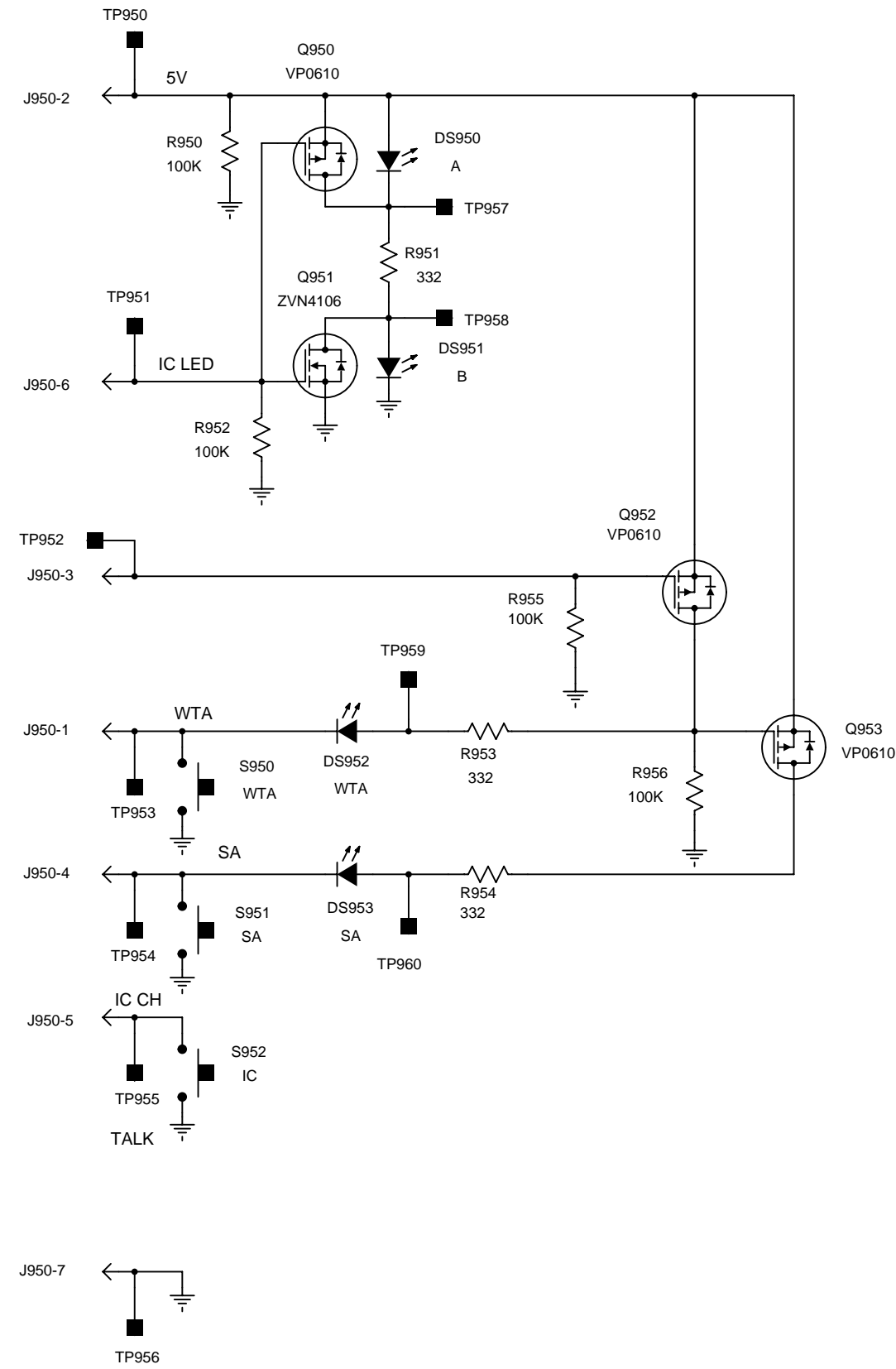
REVISIONS				
CHG.NO.	LTR	DESCRIPTION	DATE	APPD
	PB	CHG C901 FROM .1UF TO 1UF	12/06/00	SMH



DESCRIPTION		ITEM	PART NO.	SPECIFICATION
UNSPECIFIED LIMITS OF TOLERANCE		DATE		<p align="center">TELEX TELEX COMMUNICATIONS INC. Lincoln Nebraska U.S.A.</p> <p align="center">TITLE TR800/700</p> <p align="center">REAR SWITCH AND BATTERY CONTACT</p>
DECIMAL:		DR BY		
FRACTION:		CHK BY		
.X = ±.050 IN		APPD.		
.XX = ±.030 IN		PROD.		
.XXX = ±.010 IN		MATERIAL:		
ANGLES 1', BENDS 2 ± °				SIZE
STRAIGHTNESS AND/OR				CODE IDENT
FLATNESS .005 IN./1 IN.				DWG. NO.
CONCENTRICITY .010 TIR				770646
UNMARKED ANGLES, BENDS				SCALE:
AND INTERSECTIONS 90 °				NONE
THREADS- EXT. CLASS 2A				SHEET:
INT. CLASS 2B				1 OF 1
NEXT ASSY.	USED ON			
APPLICATIONS				

This drawing, written description or specification represents a proprietary product of TELEX, Lincoln, NE., and shall not be released, disclosed, nor duplicated without the written permission of TELEX

REVISIONS				
CHG.NO.	LTR	DESCRIPTION	DATE	APPD
	PB	ADDED Q952, Q953, R954, R955, AND R956, AND NOTE 2	01/09/01	TJY



- 2. TEST POINTS TP957, TP958, TP959, AND TP960 ARE ONLY ON THE SCHEMATIC.
- 1. REFERENCED TO BOARD 750538.

NOTES:

		DESCRIPTION	ITEM	PART NO.	SPECIFICATION
		UNSPECIFIED LIMITS OF TOLERANCE	DATE	10/18/00	 <small>TELEX COMMUNICATIONS INC. Lincoln Nebraska U.S.A.</small>
		DECIMAL:	DR BY		
		.X = ±.050 IN	CHK BY		
		.XX = ±.030 IN	APPD.		
		.XXX = ±.010 IN	PROD.		
		ANGLES ±1°, BENDS 2 ± °	MATERIAL:		TITLE
		STRAIGHTNESS AND/OR FLATNESS .005 IN./1 IN.			TR800/700 TOP PANEL BOARD
		CONCENTRICITY .010 TIR			SIZE
		UNMARKED ANGLES, BENDS AND INTERSECTIONS 90 °			CODE IDENT
		THREADS- EXT. CLASS 2A INT. CLASS 2B			DWG. NO.
NEXT ASSY.	USED ON				770661
APPLICATIONS				SCALE:	NONE
				SHEET:	1 OF 1