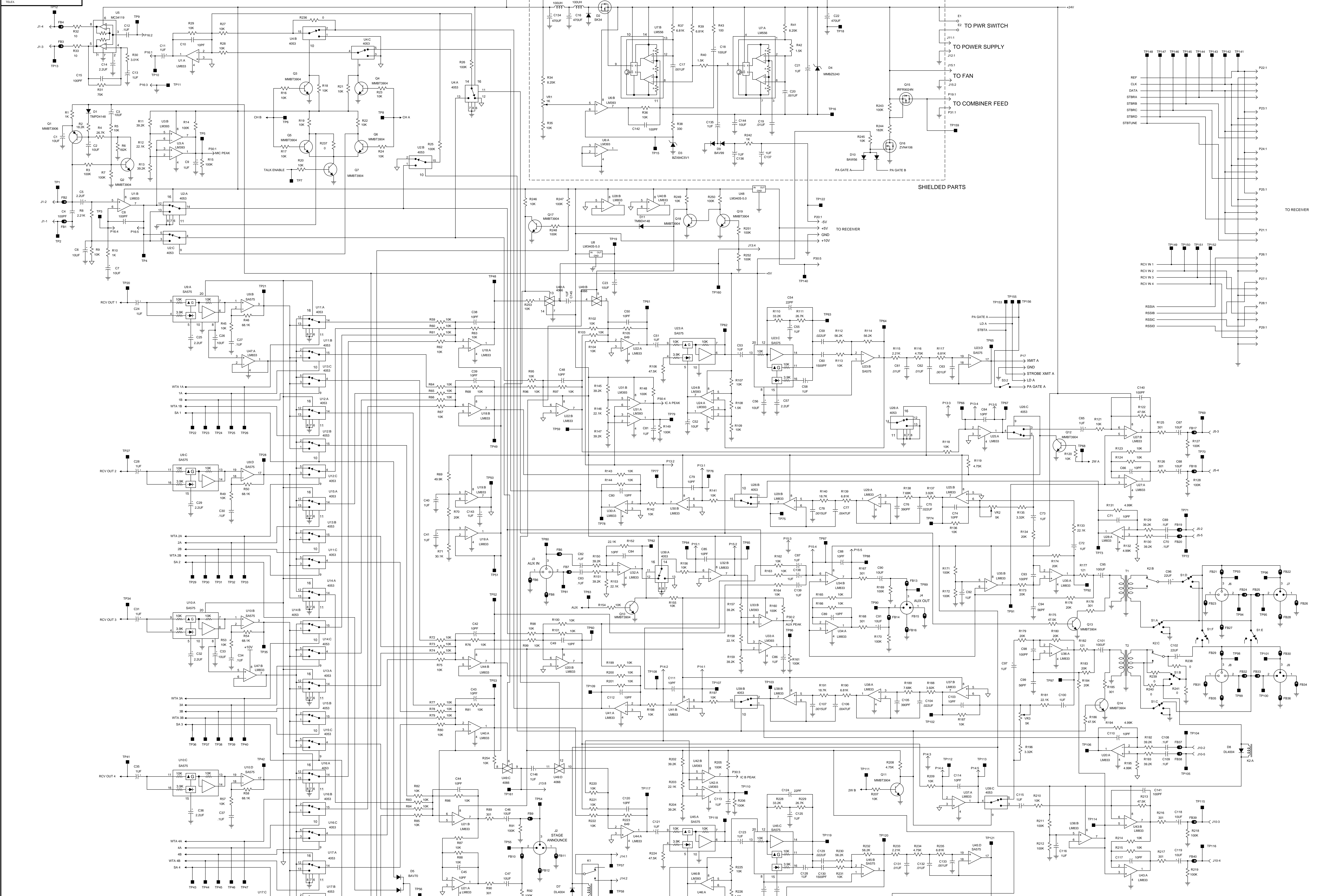


This drawing, whether description or specification, represents a proprietary product of TELEX, Inc. and shall not be reprinted, duplicated, or disclosed without the written permission of TELEX.

SHEET		REV		SHT		REV		CHG NO		LTR		DESCRIPTION		DATE		APPD	
4	3	2	1														
												PE	PRELIMINARY REV PB	12/1/00	DDN		
												PF	PRELIMINARY REV PF ADDED TEST POINTS	12/13/00	TJY		

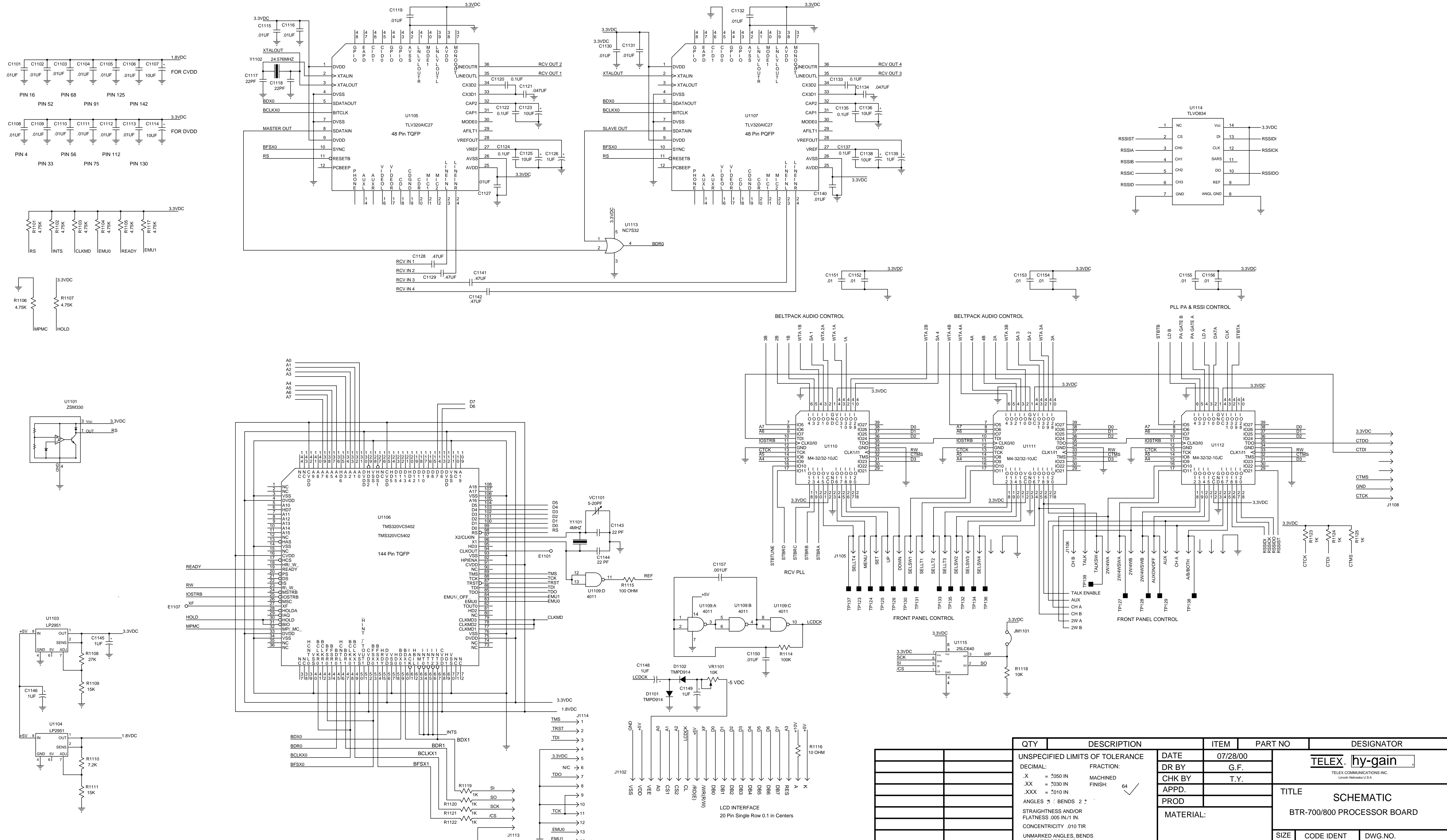


QTY	DESCRIPTION	ITEM	PART NO	DESIGNATOR
	UNSPECIFIED LIMITS OF TOLERANCE			
	DECIMAL: FRACTION:			
	.X = .0050 IN			
	.XX = .0030 IN			
	.XXX = .0010 IN			
	ANGLES 1° ± BENDS 2° ±			
	STRAIGHTNESS AND/OR			
	FLATNESS .005 IN/1 IN			
	CONCENTRICITY .010 IN			
	UNMARKED ANGLES, BENDS			
	AND INTERSECTIONS 90°			
	THREADS-EXT. CLASS 2A			
	INT. CLASS 2B			

This drawing, written description or specification represents a proprietary product of TELEX, Lincoln, NE., and shall not be released, disclosed, nor duplicated without the written permission of TELEX.

4	3	2	1	SHT	REV

SHEET REV STATUS		REVISIONS		DATE	APPD
CHG NO	LTR	DESCRIPTION	DATE	APPD	
	PB		12/1/00	DDN	
	PC	ADDED TESTPOINTS	12/14/00	TJY	



NOTES:

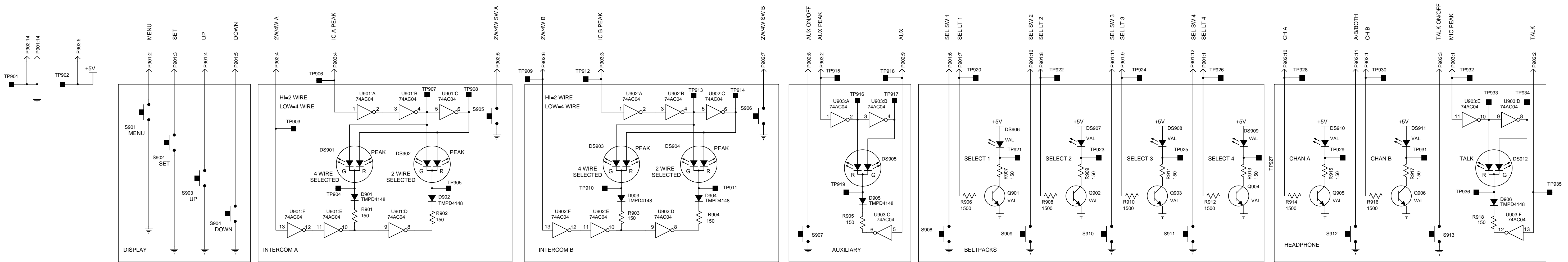
QTY	DESCRIPTION	ITEM	PART NO	DESIGNATOR
	UNSPECIFIED LIMITS OF TOLERANCE	DATE	07/28/00	
	DECIMAL: .X = .050 IN	DR BY	G.F.	
	.XX = .030 IN	CHK BY	T.Y.	
	.XXX = .010 IN	APPD.		
	ANGLES: 1: BENDS 2: STRAIGHTNESS AND/OR FLATNESS .005 IN/1 IN. CONCENTRICITY .010 TIR. UNMARKED ANGLES, BENDS AND INTERSECTIONS 90 THREADS- EXT. CLASS 2A INT. CLASS 2B	PROD		
		MATERIAL:		
		TITLE	SCHEMATIC	
			BTR-700/800 PROCESSOR BOARD	
		SIZE	CODE IDENT	DWG.NO.
		D	57010	770639
		SCALE		SHEET 2 OF 2

APPLICTIONS

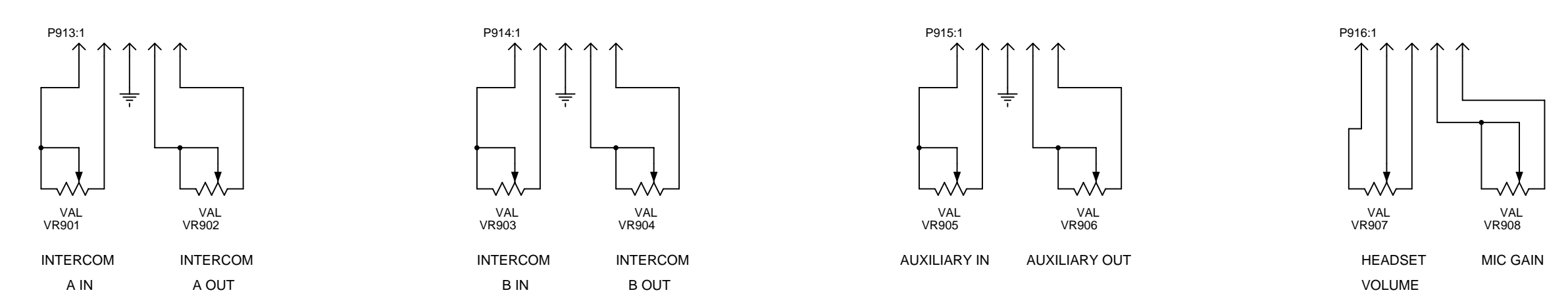
This drawing, written description or specification represents a proprietary product of TELEX, Lincoln, NE., and shall not be released, disclosed, nor duplicated without the written permission of TELEX.

4	3	2	1	SHT	REV	SHEET
				REV	STATUS	REV

REVISIONS				
CHG NO	LTR	DESCRIPTION	DATE	APPD
			8/9/00	
	PC	CHG S913 FROM +5 TO GND	12/05/00	SMH
	PD	ADDED TEST POINTS	12/07/00	TJY



TO AUDIO BOARD



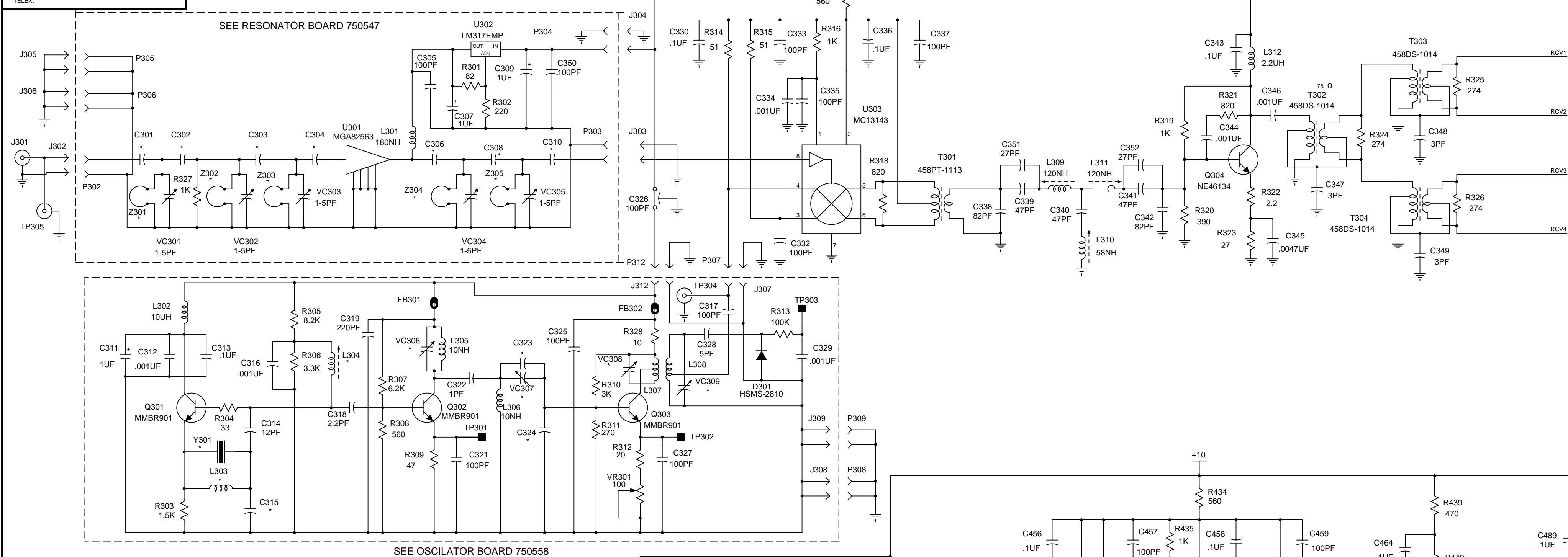
1. REFERENCE TO BOARD 750542.

NOTES:

QTY	DESCRIPTION	ITEM	PART NO	DESIGNATOR
	UNSPECIFIED LIMITS OF TOLERANCE			
	DECIMAL: FRACTION:			
	.X = .050 IN			
	.XX = .030 IN			
	.XXX = .010 IN			
	ANGLES: BENDS			
	STRAIGHTNESS AND/OR FLATNESS .005 IN/1 IN.			
	CONCENTRICITY .010 TIR			
	UNMARKED ANGLES, BENDS AND INTERSECTIONS 90			
	THREADS- EXT. CLASS 2A INT. CLASS 2B			
NEXT ASSY.	USED ON			
APPLICATIONS				

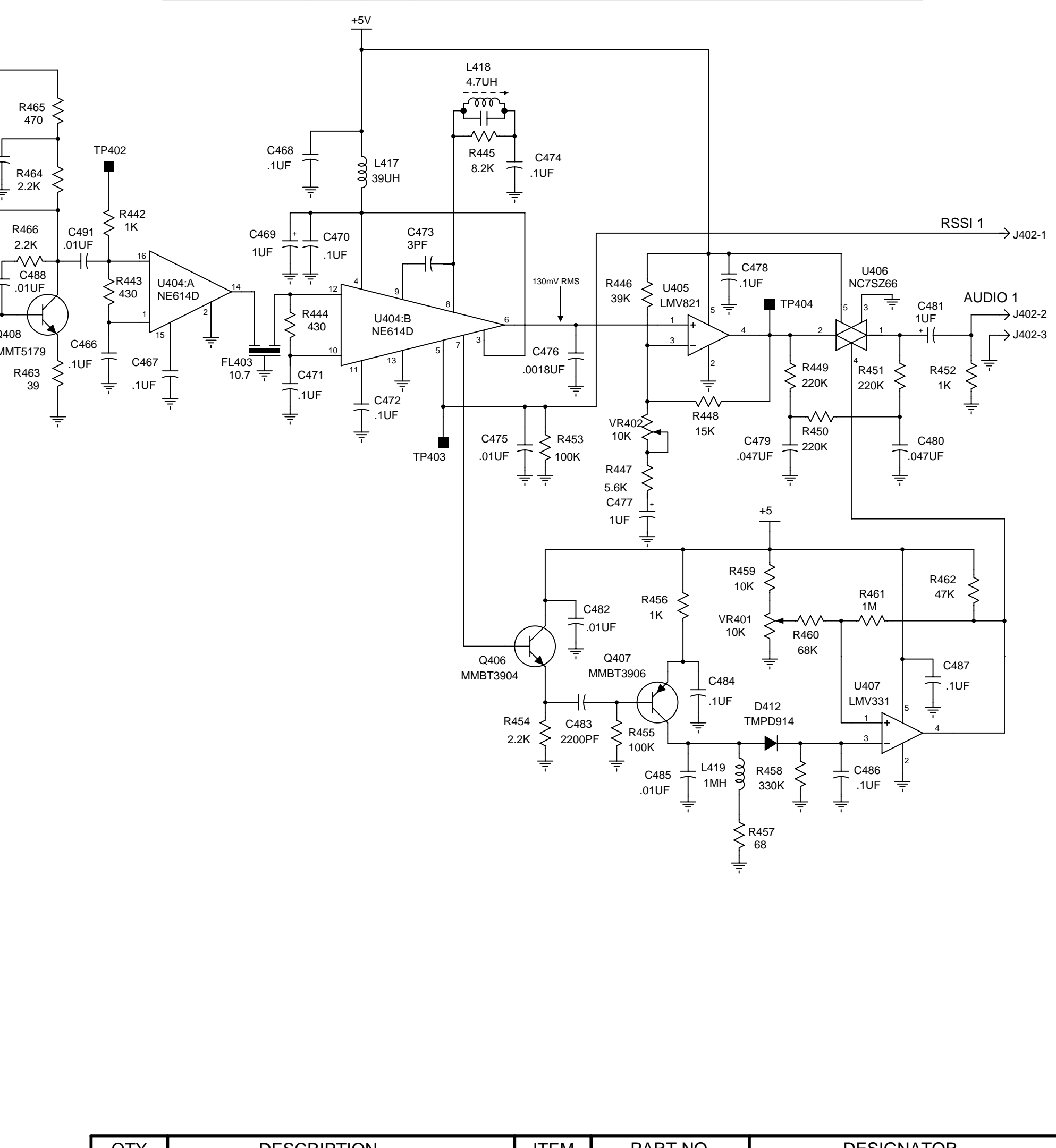
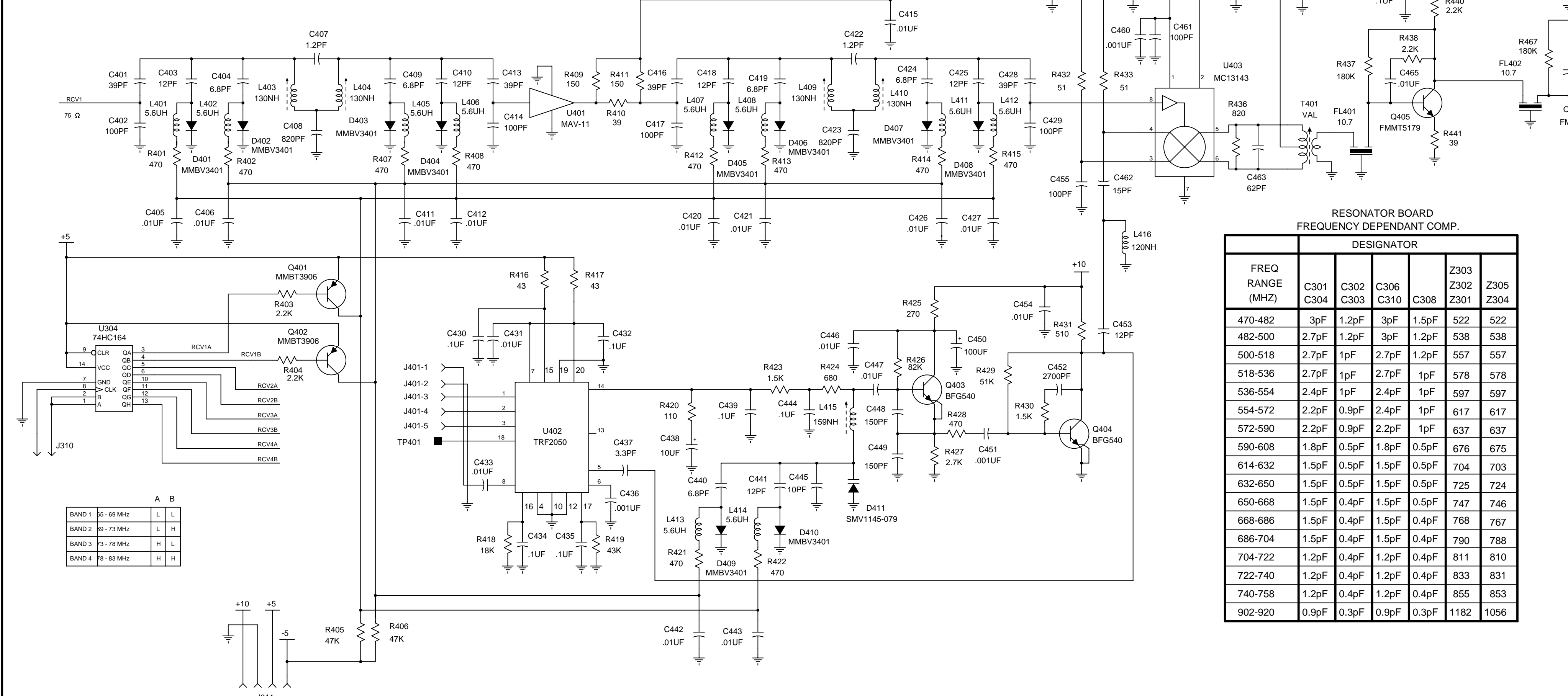
DATE		<p>TELEX COMMUNICATIONS INC. Lincoln, Nebraska U.S.A.</p>
DR BY		
CHK BY		
APPD.		
PROD		TITLE
MATERIAL:		BTR-700/800 FRONT PANEL
SIZE	CODE IDENT	DWG.NO.
D	57010	770640
SCALE		SHEET 1 OF 1

This drawing, written description or specification represents a proprietary product of TELEX, Lincoln, NE., and shall not be released, disclosed, nor duplicated without the written permission of TELEX.



OSCILLATOR BOARD
FREQUENCY DEPENDANT COMP.

FREQ RANGE (MHZ)	DESIGNATOR										
	C315	C320	C323	C324	L304	L303	VC306	VC308	VC309	Y301 (780180)	
470-482	39pF	22pF	10pF	33pF	723475-23	VOL	270nH	RED	BLU	BLU	91.167
482-500	39pF	22pF	10pF	33pF	723475-23	VOL	270nH	RED	BLU	BLU	94.167
500-518	39pF	22pF	10pF	33pF	723475-23	VOL	270nH	RED	BLU	BLU	97.167
518-536	39pF	22pF	10pF	33pF	723475-23	VOL	270nH	RED	BLU	BLU	100.167
536-554	39pF	15pF	10pF	33pF	723475-22	BLU	220nH	WHT	BLU	BLU	103.167
554-572	39pF	15pF	10pF	33pF	723475-22	BLU	220nH	WHT	BLU	BLU	106.167
572-590	39pF	15pF	10pF	33pF	723475-22	BLU	220nH	WHT	BLU	BLU	109.167
590-608	39pF	15pF	10pF	33pF	723475-22	BLU	220nH	WHT	BLU	BLU	112.167
614-632	33pF	8.2pF	-	33pF	723475-21	GRN	180nH	WHT	BLU	BRN	116.167
632-650	33pF	8.2pF	-	33pF	723475-21	GRN	180nH	WHT	BLU	BRN	119.167
650-668	33pF	8.2pF	-	33pF	723475-21	GRN	180nH	WHT	BLU	BRN	122.167
668-686	33pF	8.2pF	-	33pF	723475-21	GRN	180nH	WHT	BLU	BRN	125.167
686-704	33pF	8.2pF	-	33pF	723475-21	GRN	180nH	WHT	BLU	BRN	128.167
704-722	33pF	8.2pF	-	33pF	723475-21	GRN	180nH	WHT	BLU	BRN	131.167
722-740	27pF	-	-	27pF	723475-20	YEL	150nH	WHT	BRN	BRN	134.167
740-758	27pF	-	-	27pF	723475-20	YEL	150nH	WHT	BRN	BRN	137.167
902-920											



1. MAIN RECEIVER PC BOARD NUMBER IS 750543.
NOTES:

QTY	DESCRIPTION	DATE	ITEM	PART NO	DESIGNATOR
	UNSPECIFIED LIMITS OF TOLERANCE	DR BY			
	DECIMAL: .X = .050 IN	CHK BY			
	.XX = .030 IN	APPD.			
	.XXX = .010 IN	PROD			
	ANGLES: 1 = BENDS 2 = STRAIGHTNESS AND/OR FLATNESS .005 IN/1 IN. CONCENTRICITY .010 TIR. UNMARKED ANGLES, BENDS AND INTERSECTIONS 90 DEGREES. THREADS- EXT. CLASS 2A INT. CLASS 2B	MATERIAL:			
NEXT ASSY.	USED ON				
APPLICATIONS					

TELEX COMMUNICATIONS INC.
Lincoln, Nebraska U.S.A.

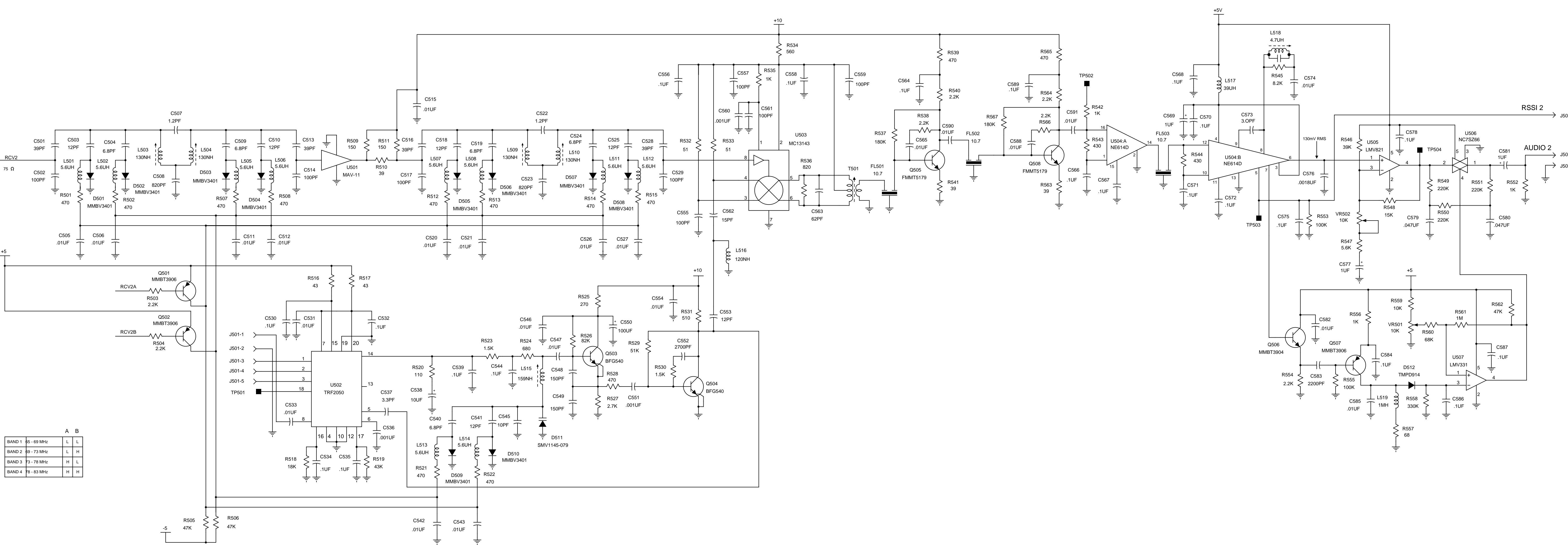
TITLE: **MAIN RECEIVER, BTR-700/800**

SIZE D: 57010
SCALE: NONE

DWG. NO.: 770647
SHEET: 1 OF 4

This drawing, written description or specification represents a proprietary product of TELEX, Lincoln, NE., and shall not be released, disclosed, nor duplicated without the written permission of TELEX.

SHEET REV					REVISIONS				
4	3	2	1	SHT REV	CHG NO	LTR	DESCRIPTION	DATE	APPD
						PC		09/25/00	



	A	B
BAND 1	85 - 89 MHz	L L
BAND 2	89 - 73 MHz	L H
BAND 3	73 - 78 MHz	H L
BAND 4	78 - 83 MHz	H H

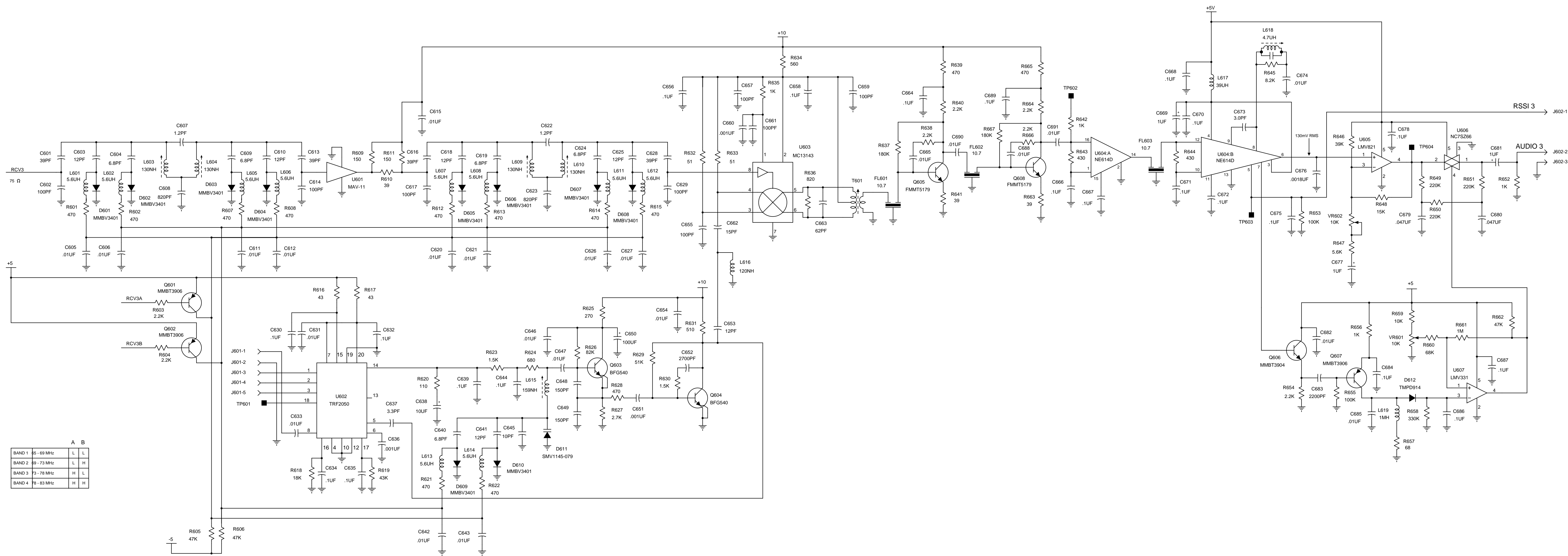
NOTES:

QTY	DESCRIPTION	ITEM	PART NO	DESIGNATOR
	UNSPECIFIED LIMITS OF TOLERANCE			
	DECIMAL: FRACTION:			
	.X = .050 IN			
	.XX = .030 IN			
	.XXX = .010 IN			
	ANGLES: 1: BENDS 2: 1			
	STRAIGHTNESS AND/OR FLATNESS .005 IN/1 IN.			
	CONCENTRICITY .010 TIR			
	UNMARKED ANGLES, BENDS AND INTERSECTIONS 90			
	THREADS- EXT. CLASS 2A INT. CLASS 2B			
NEXT ASSY.	USED ON			
APPLICATIONS				

DATE	
DR BY	
CHK BY	
APPD.	
PROD	
MATERIAL:	

TELEX hy-gain		
TELEX COMMUNICATIONS INC. Lincoln, Nebraska U.S.A.		
TITLE MAIN RECEIVER, BTR-700/800		
SIZE	CODE IDENT	DWG. NO.
D	57010	770647
SCALE	NONE	SHEET 2 OF 4

SHEET					REVISIONS					
4	3	2	1	SHT	REV	CHG NO	LTR	DESCRIPTION	DATE	APPD
				REV <td>STATUS <td></td> <td>PC</td> <td></td> <td>09/21/00</td> <td></td> </td>	STATUS <td></td> <td>PC</td> <td></td> <td>09/21/00</td> <td></td>		PC		09/21/00	



	A	B
BAND 1	65 - 69 MHz	L L
BAND 2	69 - 73 MHz	L H
BAND 3	73 - 78 MHz	H L
BAND 4	78 - 83 MHz	H H

NOTES:

QTY	DESCRIPTION	ITEM	PART NO	DESIGNATOR
	UNSPECIFIED LIMITS OF TOLERANCE	DATE		
	DECIMAL: FRACTION:	DR BY		
	.X = .050 IN MACHINED	CHK BY		
	.XX = .030 IN FINISH: 64	APPD.		
	.XXX = .010 IN	PROD		
	ANGLES 1/4° BENDS 2/4°	MATERIAL:		
	STRAIGHTNESS AND/OR FLATNESS .005 IN/1 IN.			
	CONCENTRICITY .010 TIR			
	UNMARKED ANGLES, BENDS AND INTERSECTIONS 90°			
	THREADS- EXT. CLASS 2A INT. CLASS 2B			
NEXT ASSY.	USED ON			
APPLICATIONS				

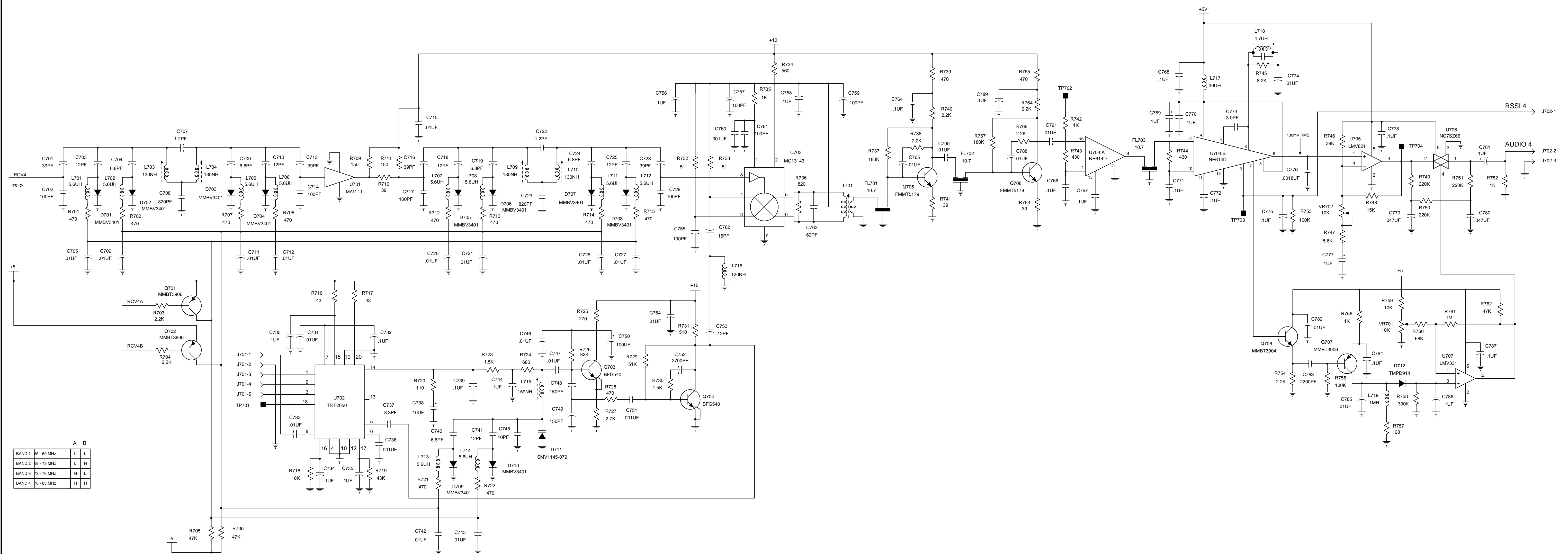


TITLE
MAIN RECEIVER, BTR-700/800

SIZE D	CODE IDENT 57010	DWG. NO. 770647
SCALE	NONE	SHEET 3 OF 4

This drawing, written description or specification represents a proprietary product of TELEX, Lincoln, NE., and shall not be released, disclosed, nor duplicated without the written permission of TELEX.

SHEET					REV					REVISIONS				
4	3	2	1	SHT	CHG NO	LTR	DESCRIPTION	DATE	APPD					
				REV		PC		09/21/00						



A		B	
BAND 1	65 - 69 MHz	L	L
BAND 2	69 - 73 MHz	L	H
BAND 3	73 - 78 MHz	H	L
BAND 4	78 - 83 MHz	H	H

NOTES:

QTY	DESCRIPTION	ITEM	PART NO	DESIGNATOR
	UNSPECIFIED LIMITS OF TOLERANCE			
	DECIMAL: FRACTION:			
	.X = .050 IN			
	.XX = .030 IN			
	.XXX = .010 IN			
	ANGLES: 1: BENDS 2: 1			
	STRAIGHTNESS AND/OR FLATNESS .005 IN/1 IN.			
	CONCENTRICITY .010 TIR			
	UNMARKED ANGLES, BENDS AND INTERSECTIONS 90			
	THREADS- EXT. CLASS 2A INT. CLASS 2B			

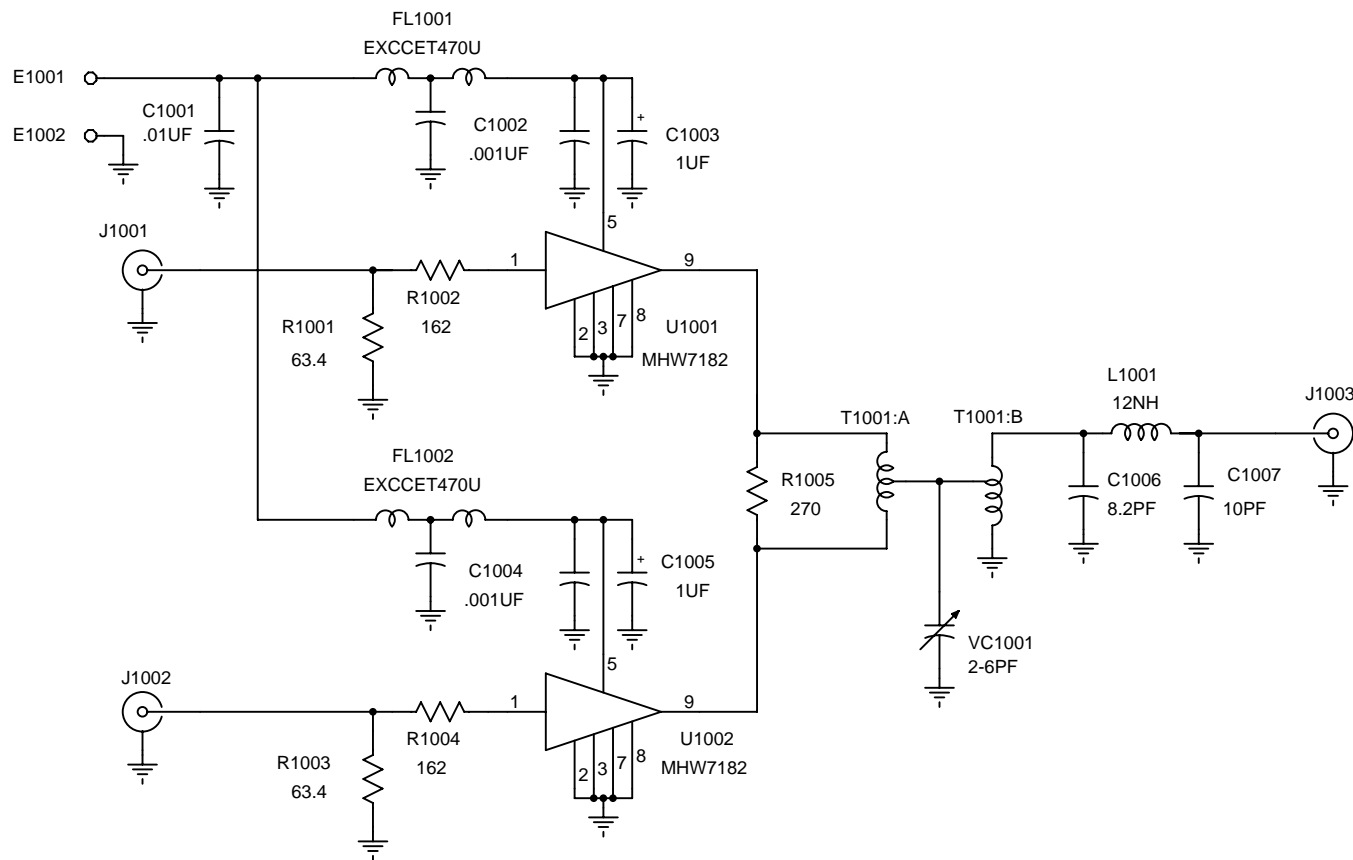
DATE	DR BY	TELEX hy-gain <small>TELEX COMMUNICATIONS INC. Lincoln, Nebraska U.S.A.</small>
CHK BY		
APPD.		
PROD.		
MATERIAL:		TITLE
		MAIN RECEIVER, BTR-700/800
SIZE	CODE IDENT	DWG. NO.
D	57010	770647
SCALE	NONE	SHEET
		4 OF 4

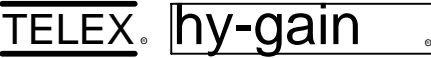
NEXT ASSY.	USED ON
APPLICATIONS	

770655

This drawing, written description or specification represents a proprietary product of TELEX, Lincoln, NE., and shall not be released, disclosed, nor duplicated without the written permission of TELEX

REVISIONS				
CHG.NO.	LTR	DESCRIPTION	DATE	APPD
	PA	PRELIMINARY	12/1/00	DDN

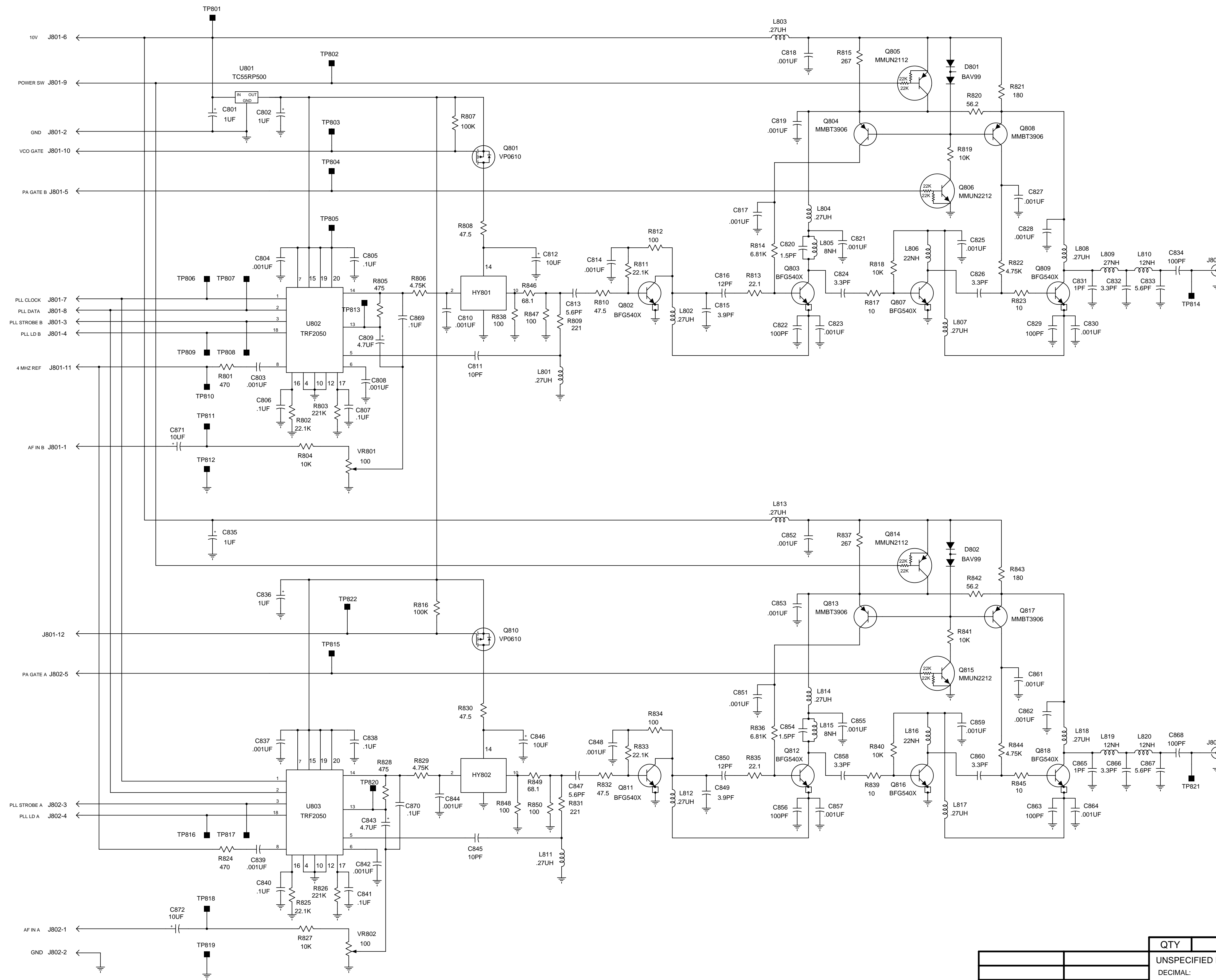


QTY		DESCRIPTION	ITEM	PART NO.	SPECIFICATION
		UNSPECIFIED LIMITS OF TOLERANCE	DATE	8/16/00	 TELEX COMMUNICATIONS INC. Lincoln Nebraska U.S.A
		DECIMAL:	DR BY	R. BASINE	
		FRACTION:	CHK BY		
		MACHINED FINISH: 64 ✓	APPD.		
			PROD.		
		ANGLES ±1, BENDS 2 ± °	MATERIAL:		TITLE
		STRAIGHTNESS AND/OR FLATNESS .005 IN./1 IN.			BTR-800
		CONCENTRICITY .010 TIR			COMBINER
		UNMARKED ANGLES, BENDS AND INTERSECTIONS 90 °			SIZE
		THREADS- EXT. CLASS 2A INT. CLASS 2B			B
NEXT ASSY.	USED ON				CODE IDENT
					57010
					DWG. NO.
					770655
					SCALE:
					SHEET:
APPLICATIONS					

This drawing, written description or specification represents a proprietary product of TELEX, Lincoln, NE., and shall not be released, disclosed, nor duplicated without the written permission of TELEX.

4	3	2	1	SHT	REV	SHEET	REV
				REV		STATUS	

REVISIONS		CHG NO	LTR	DESCRIPTION	DATE	APPD
		PA		PRELIMINARY REV PA	11/2/00	DN
		PB		ADD AND CHG COMPONENT VALUES	12/5/00	SMH



NOTES:

QTY	DESCRIPTION	ITEM	PART NO	DESIGNATOR
	UNSPECIFIED LIMITS OF TOLERANCE	DATE	7/12/00	
	DECIMAL:	FRACTION:		
	.X = .050 IN	MACHINED		
	.XX = .030 IN	FINISH:	64	
	.XXX = .010 IN			
	ANGLES: 1 : BENDS 2 :			
	STRAIGHTNESS AND/OR			
	FLATNESS .005 IN/1 IN.			
	CONCENTRICITY .010 TIR			
	UNMARKED ANGLES, BENDS			
	AND INTERSECTIONS 90			
	THREADS- EXT. CLASS 2A			
	INT. CLASS 2B			
NEXT ASSY.	USED ON			
APPLICATIONS				

TITLE		BTR700/800	
TRANSMIT BOARD			
SIZE	CODE IDENT	DWG. NO.	
D	57010	770656	
SCALE		SHEET	