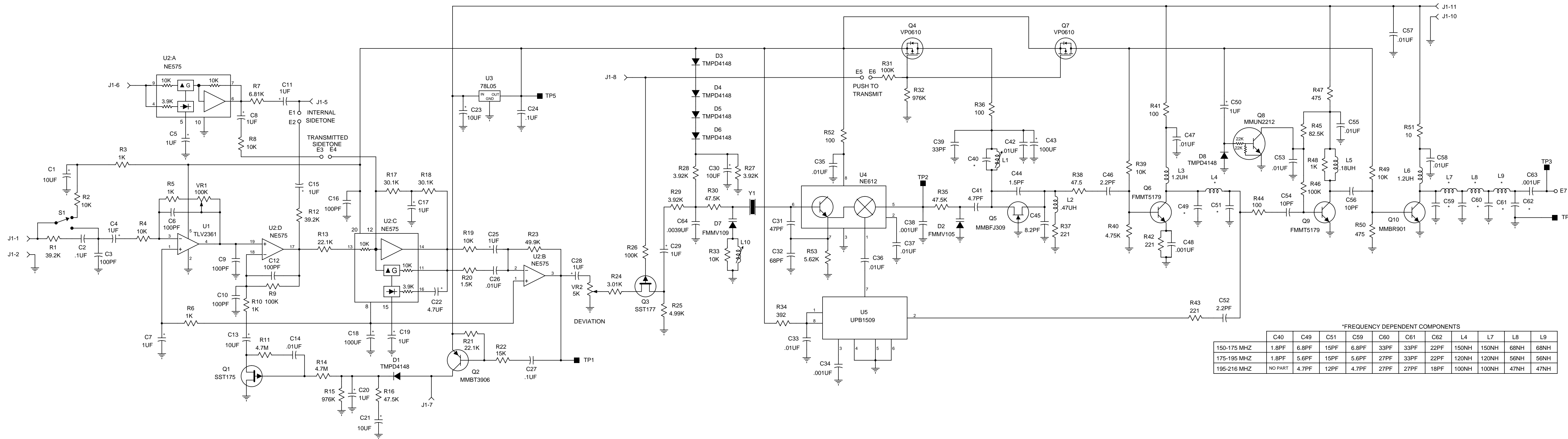


This drawing, written description or specification represents a proprietary product of TELEX, Lincoln, NE, and shall not be released, disclosed, nor duplicated without the written permission of TELEX.

4	3	2	1	SHT	SHEET
				REV	REV

REVISIONS		CHG NO	LTR	DESCRIPTION	DATE	APPD
			PA	PRE-PRODUCTION	10/05/99	SBC



*FREQUENCY DEPENDENT COMPONENTS

	C40	C49	C51	C59	C60	C61	C62	L4	L7	L8	L9
150-175 MHZ	1.8PF	6.8PF	15PF	6.8PF	33PF	33PF	22PF	150NH	150NH	68NH	68NH
175-195 MHZ	1.8PF	5.6PF	15PF	5.6PF	27PF	33PF	22PF	120NH	120NH	56NH	56NH
195-216 MHZ	NO PART	4.7PF	12PF	4.7PF	27PF	27PF	18PF	100NH	100NH	47NH	47NH

NOTES:

QTY	DESCRIPTION	ITEM	PART NO	DESIGNATOR
	UNSPECIFIED LIMITS OF TOLERANCE	DATE	3/15/99	
	DECIMAL:	FRACTION:	RB	
	.X = .050 IN	MACHINED	SBC 10/05/99	
	.XX = .030 IN	FINISH:	64	
	.XXX = .010 IN			
	ANGLES 1 : BENDS 2 +			
	STRAIGHTNESS AND/OR			
	FLATNESS .005 IN/1 IN.			
	CONCENTRICITY .010 TIR			
	UNMARKED ANGLES, BENDS			
	AND INTERSECTIONS 90			
	THREADS- EXT. CLASS 2A			
	INT. CLASS 2B			
879240-(T.H)				
879239-(SMT)				
NEXT ASSY.	USED ON			
APPLICATIONS				



TITLE
TR-300
TRANSMIT BOARD

SIZE	CODE IDENT	DWG.NO.
D	57010	770604
SCALE		SHEET