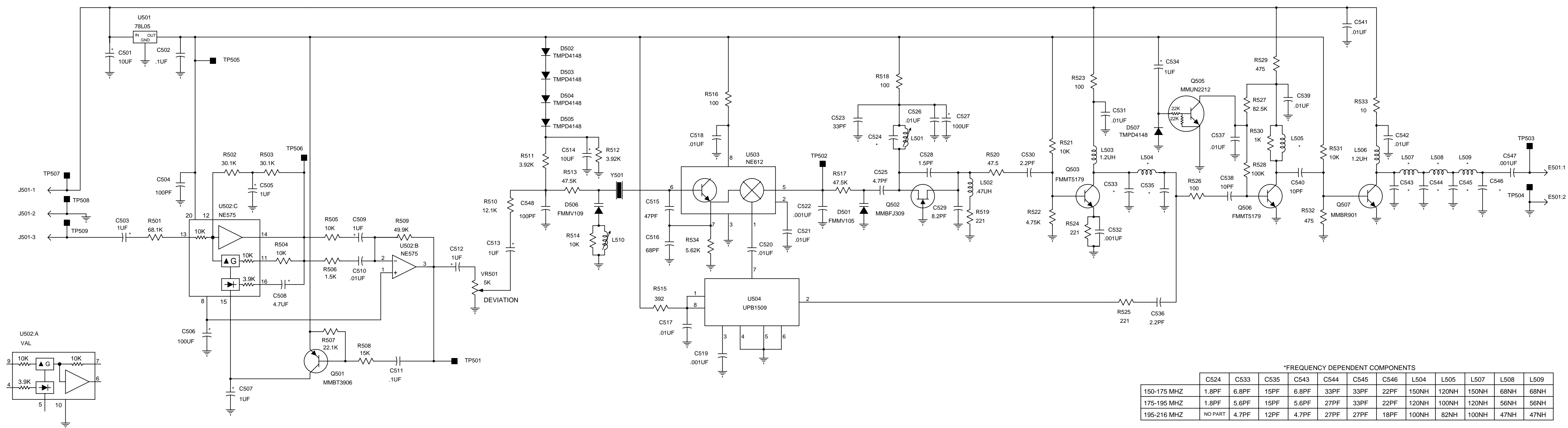


This drawing, written description or specification represents a proprietary product of TELEX, Lincoln, NE., and shall not be released, disclosed, nor duplicated without the written permission of TELEX.

SHEET REV					REVISIONS				
4	3	2	1	SHT REV	CHG NO	LTR	DESCRIPTION	DATE	APPD
						PC	PRE-RELEASE	10/07/99	

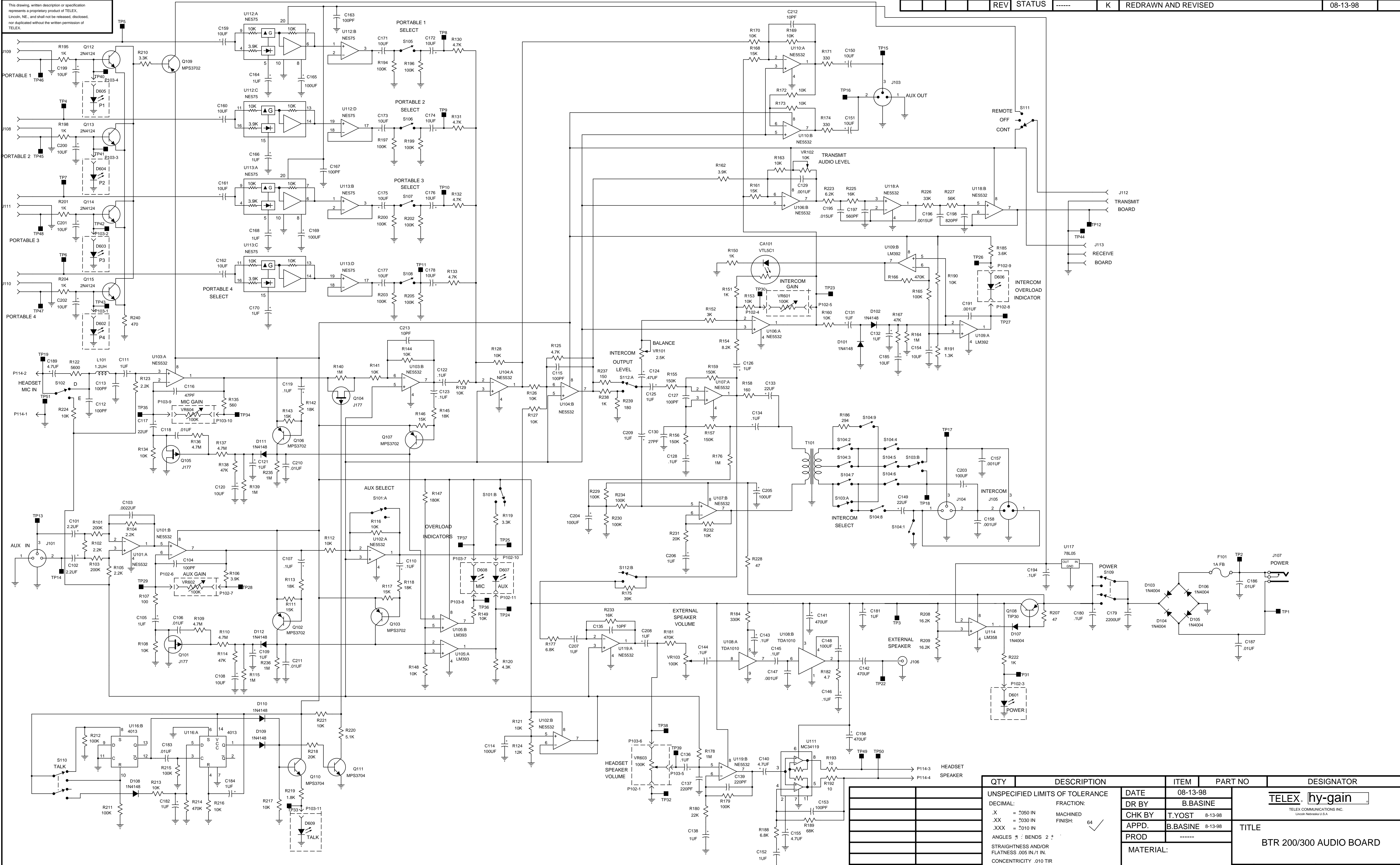


REFERENCE PCB 75005

NOTES:

QTY	DESCRIPTION	ITEM	PART NO	DESIGNATOR												
	UNSPECIFIED LIMITS OF TOLERANCE	DATE	7/8/99													
	DECIMAL:	FRACTION:	RB													
	.X = .050 IN	MACHINED														
	.XX = .030 IN	FINISH:	64													
	.XXX = .010 IN															
	ANGLES 1 : BENDS 2															
	STRAIGHTNESS AND/OR															
	FLATNESS .005 IN/1 IN.															
	CONCENTRICITY .010 TIR															
	UNMARKED ANGLES, BENDS															
	AND INTERSECTIONS 90															
	THREADS- EXT. CLASS 2A															
	INT. CLASS 2B															
879234(T.H)																
879233(SMT)	BTR-300															
NEXT ASSY.	USED ON															
APPLICATIONS																
<table border="1"> <tr> <td>SIZE</td> <td>CODE IDENT</td> <td>DWG.NO.</td> </tr> <tr> <td>D</td> <td>57010</td> <td>770599</td> </tr> <tr> <td>SCALE</td> <td>NONE</td> <td>SHEET</td> </tr> <tr> <td></td> <td></td> <td>1 OF 1</td> </tr> </table>					SIZE	CODE IDENT	DWG.NO.	D	57010	770599	SCALE	NONE	SHEET			1 OF 1
SIZE	CODE IDENT	DWG.NO.														
D	57010	770599														
SCALE	NONE	SHEET														
		1 OF 1														
<table border="1"> <tr> <td colspan="2">TELEX hy-gain</td> </tr> <tr> <td colspan="2">TELEX COMMUNICATIONS INC.</td> </tr> <tr> <td colspan="2">Lincoln, Nebraska U.S.A.</td> </tr> <tr> <td colspan="2">TITLE</td> </tr> <tr> <td colspan="2">BTR-300</td> </tr> <tr> <td colspan="2">TRANSMIT BOARD</td> </tr> </table>					TELEX hy-gain		TELEX COMMUNICATIONS INC.		Lincoln, Nebraska U.S.A.		TITLE		BTR-300		TRANSMIT BOARD	
TELEX hy-gain																
TELEX COMMUNICATIONS INC.																
Lincoln, Nebraska U.S.A.																
TITLE																
BTR-300																
TRANSMIT BOARD																

This drawing, written description or specification represents a proprietary product of TELEX, Lincoln, NE., and shall not be released, disclosed, nor duplicated without the written permission of TELEX.



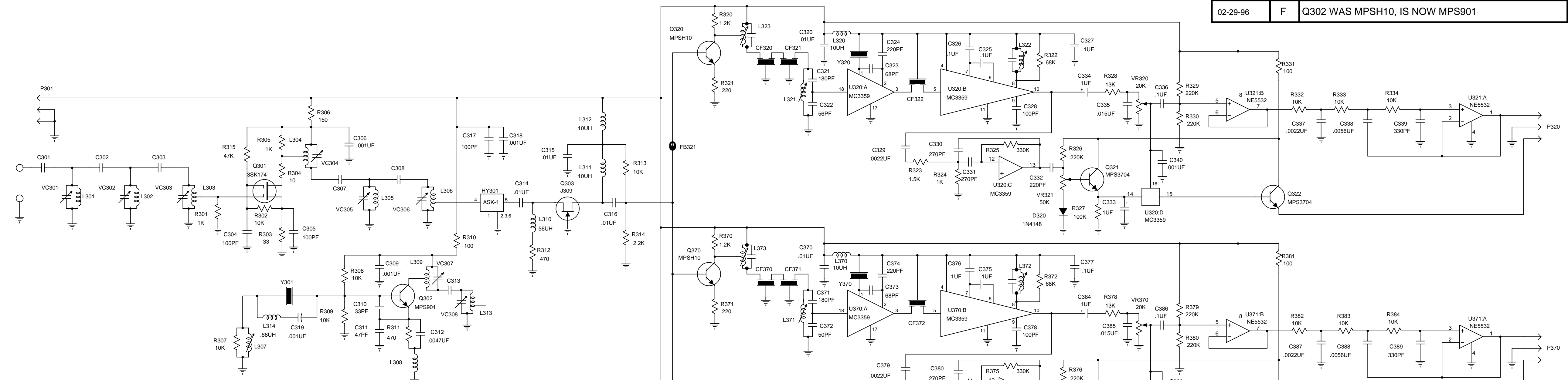
NOTES:

QTY	DESCRIPTION	ITEM	PART NO	DESIGNATOR
	UNSPECIFIED LIMITS OF TOLERANCE			
	DECIMAL:			
.X	= .050 IN			
.XX	= .030 IN			
.XXX	= .010 IN			
	ANGLES: 1: BENDS 2: 45°			
	STRAIGHTNESS AND/OR FLATNESS: .005 IN/1 IN.			
	CONCENTRICITY: .010 TIR			
	UNMARKED ANGLES, BENDS AND INTERSECTIONS: 90°			
	THREADS- EXT. CLASS 2A INT. CLASS 2B			
	DATE	08-13-98		
	DR BY	B.BASINE		
	CHK BY	T.YOST	8-13-98	
	APPD.	B.BASINE	8-13-98	
	PROD	-----		
MATERIAL:				
TELEX COMMUNICATIONS INC. Lincoln, Nebraska U.S.A.				
TITLE				
BTR 200/300 AUDIO BOARD				
SIZE	CODE IDENT	DWG.NO.	770106	
D	57010			
SCALE	SHEET	1 OF 1		

This drawing, written description or specification represents a proprietary product of TELEX, Lincoln, NE., and shall not be released, disclosed, nor duplicated without the written permission of TELEX.

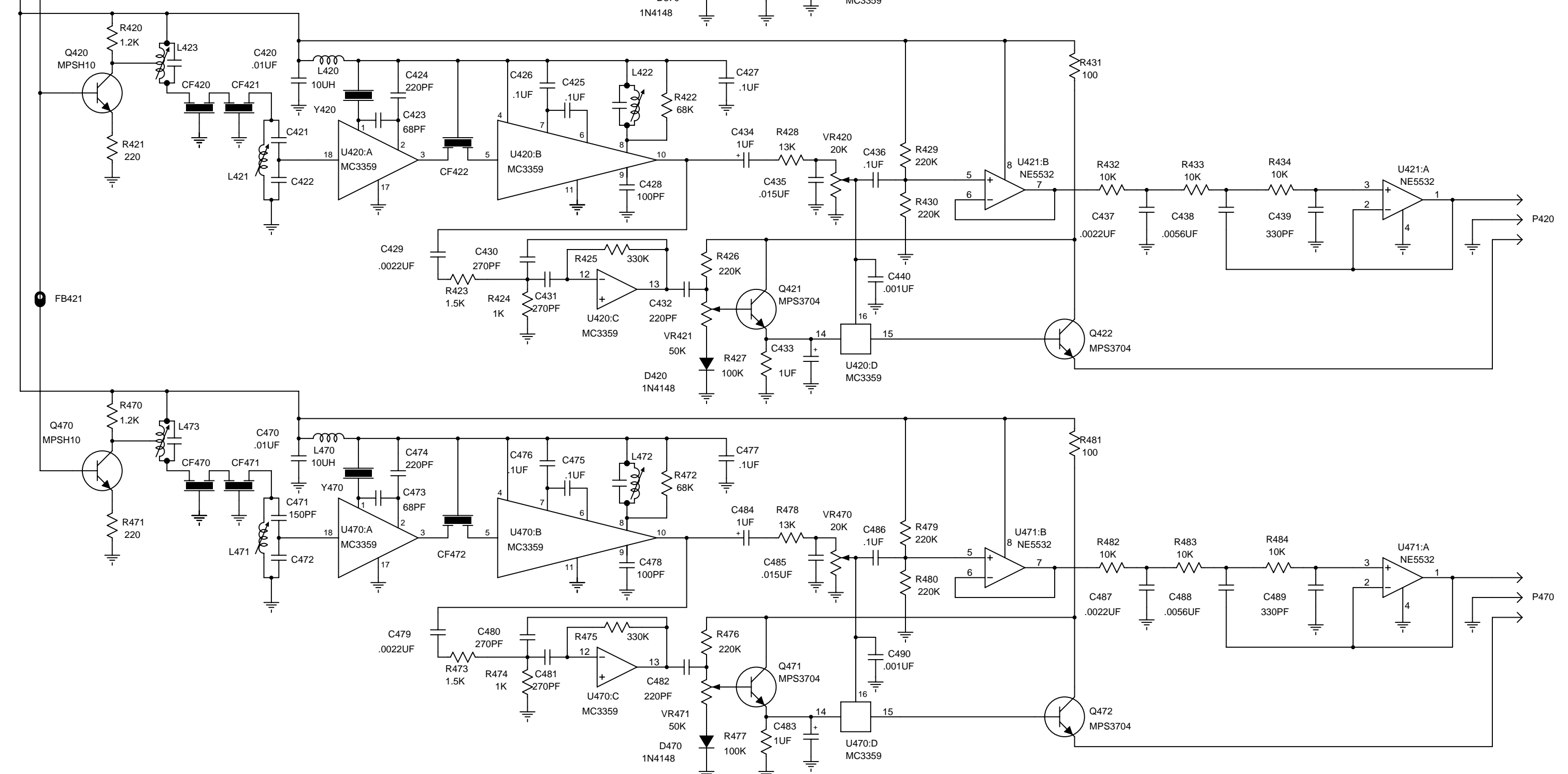
4	3	2	1	SHT	REV	STATUS

REVISIONS		DATE	APPD
CHG NO	LTR	DESCRIPTION	
11-21	B	REDRAWN PER ECO 11-21	DN
06-04-93	C	Q302 WAS MPS901; C329, C379, C429, C479 WAS .0047UF; C332, C382, C432, C482 WAS .1UF.	DN
01-06-95	D	R307 NOW 10K, ADDED L314, C319, D320, D370, D420, D470	DN
08-42-95	E	C330, C331, C380, C381, C430, C431, C480, C481 WAS 120PF, IS 270PF	DN
02-29-96	F	Q302 WAS MPS10, IS NOW MPS901	SBC



FREQUENCY DEPENDENT COMPONENTS TABLE

FREQUENCY	C301	C302	C303	C307	C308	C313	C421	C422	C472	CF370	CF371	CF420	CF421	CF470	CF471	L307	L308	Y301	Y370	Y420	Y470	
169-172 MHZ	5.6PF	.82PF	.50PF	.50PF	1.2PF	.50PF	150PF	43PF	39PF	11.56 MHZ	12.36 MHZ	13.1 MHZ	RED	22UH	171.905 MHZ	12.015 MHZ	12.815 MHZ	12.955 MHZ				
206-208 MHZ	4.7PF	.50PF	.33PF	.33PF	.33PF	.33PF	180PF	50PF	43PF	11.075 MHZ	11.7 MHZ	12.5 MHZ	BROWN	15UH	207.8 MHZ	11.53 MHZ	12.155 MHZ	12.955 MHZ				
212-214 MHZ	4.7PF	.50PF	.33PF	.33PF	.33PF	.33PF	180PF	50PF	43PF	11.075 MHZ	11.7 MHZ	12.5 MHZ	BLACK	15UH	213.8 MHZ	11.53 MHZ	12.155 MHZ	12.955 MHZ				



REFERENCE PCB 750309

NOTES:

QTY.	DESCRIPTION	ITEM	PART NO.	DESCRIPTION
	UNSPECIFIED LIMITS OF TOLERANCE	DATE	7 NOV 1990	<p>TELEX COMMUNICATIONS INC. Lincoln, Nebraska U.S.A.</p>
	DECIMAL:	DR BY	D. NITZEL	
	.X = .050 IN	CHK BY	D.N. 8/20/91	
	.XX = .030 IN	APPD.	R.B. 8/20/91	
	.XXX = .006 IN	PROD		
	ANGLES: 1 : BENDS 2 +	MATERIAL:		TITLE
	STRAIGHTNESS AND/OR			SCHEMATIC, BTR-200/300
	FLATNESS .005 IN/1 IN.			RECEIVE
	CONCENTRICITY .010 TIR			SIZE
	UNMARKED ANGLES, BENDS			CODE IDENT
	AND INTERSECTIONS 90			57010
	THREADS- EXT. CLASS 2A			DWG. NO.
	INT. CLASS 2B			770198
				SCALE
				NONE
				SHEET
				1 OF 1

878662-	70683-
NEXT ASSY.	USED ON
APPLICATIONS	