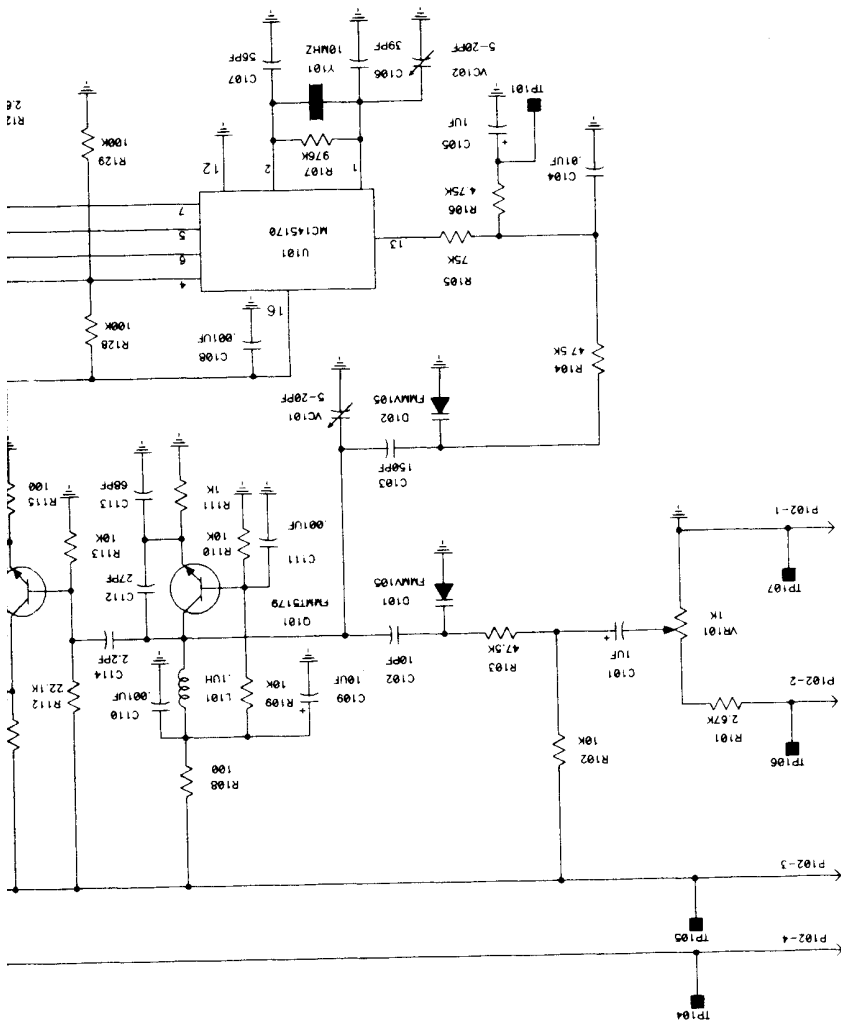


APPLICTIONS	
USED ON	NEXT ASSY.

REFERENCE PCB 750478



This drawing, written description or specification presents a proprietary product of TELEX, Lincoln, NE, and shall not be released, disclosed, nor duplicated without the written permission of TELEX.

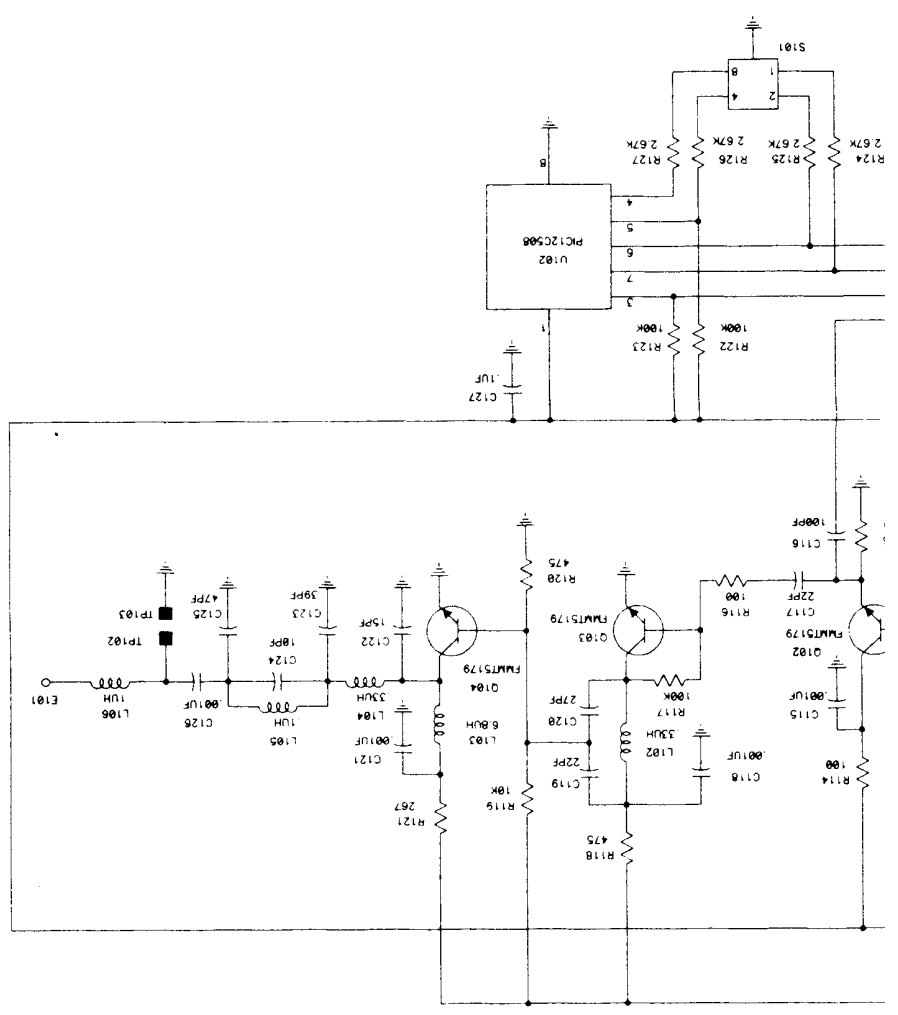
770548

UNSPECIFIED LIMITS OF TOLERANCE		DESCRIPTION		ITEM	PART NO.	SPECIFICATION
DATE 6/25/98		DR BY R.B.		TITLE		
CHK BY		APPD.		MATERIAL:		
FRACTION: .X = ±.050 IN MACHINED		ANGLES ±1°, BENDS ±2°		STRAIGHTNESS AND/OR FLATNESS .005 IN./1 IN.		
CONCENTRICITY .010 TIR		UNMARKED ANGLES, BENDS AND INTERSECTIONS 90°		THREADS-- EXT. CLASS 2A INT. CLASS 2B		
DECIMAL: .XX = ±.050 IN		.XXX = ±.10 IN		SCALE: C 57010		
DATE 6/25/98		DR BY R.B.		SIZE C 57010		
DATE 6/25/98		DR BY R.B.		CODE IDENT DWG. NO. 770548		
DATE 6/25/98		DR BY R.B.		SHEET:		

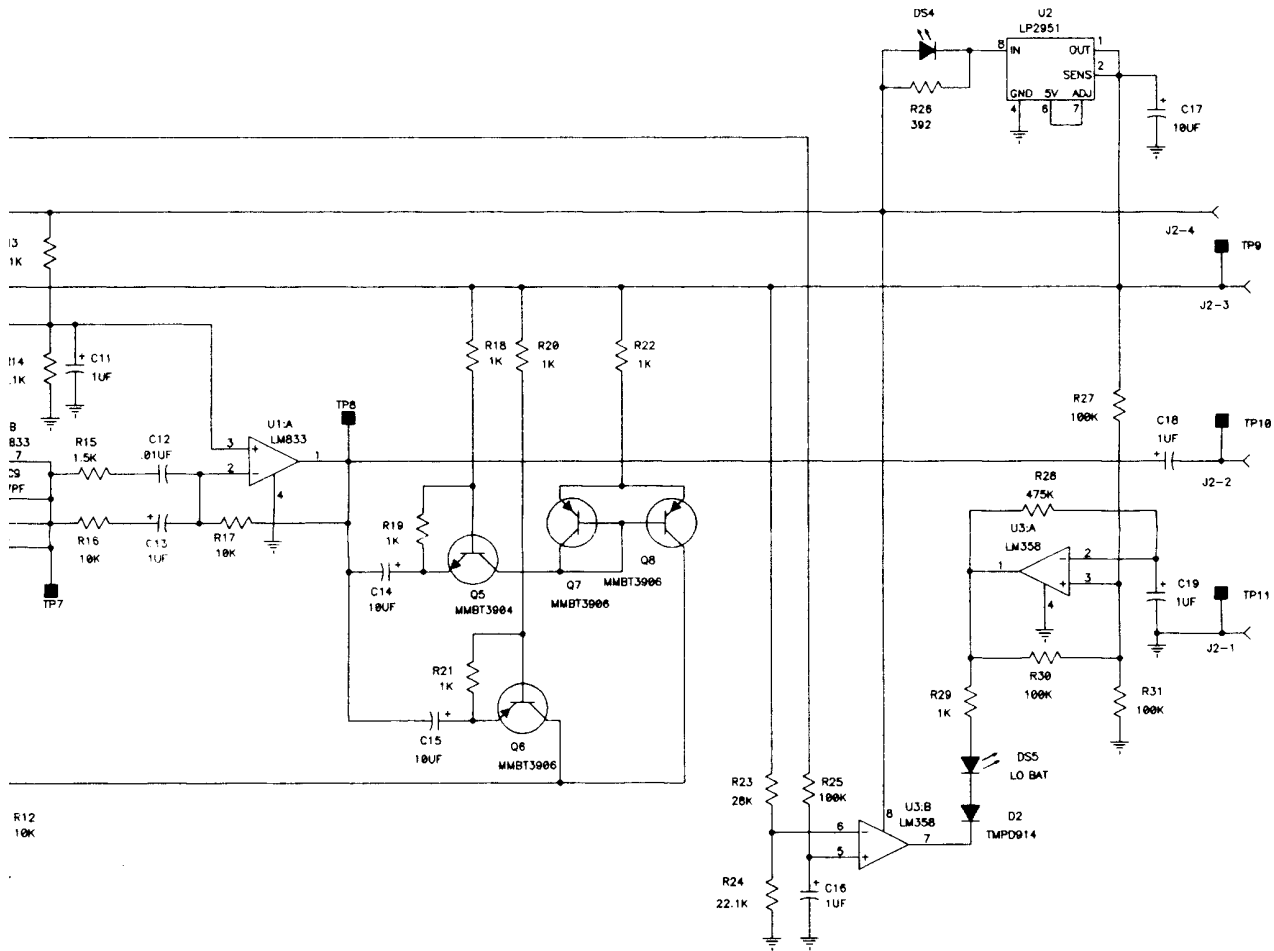
PRELIMINARY PRINT
 INFORMATION SUBJECT TO
 CHANGE

FCC ID: B5DM509
 2.1033(c) SCHEMATIC

CHG. NO.	LTR	DESCRIPTION	DATE	APPD
PC		PRE-PRODUCTION RELEASE	6/25/98	



REVISIONS				
CHG.NO.	LTR	DESCRIPTION	DATE	APPD
	PB	PRE-RELEASED	6/25/98	



PRELIMINARY PRINT
 INFORMATION SUBJECT TO
 CHANGE

DESCRIPTION	ITEM	PART NO.	SPECIFICATION
UNSPECIFIED LIMITS OF TOLERANCE	DATE	6/25/98	TELEX. hy-gain. <small>TELEX COMMUNICATIONS INC. Lincoln Nebraska U.S.A.</small>
DECIMAL: .X = ±.050 IN	DR BY	R.B.	
FRACTION: .XX = ±.030 IN	CHK BY		
MACHINED: .XXX = ±.010 IN	APPD.		
ANGLES ±1°, BENDS ±2°	PROD.		
STRAIGHTNESS AND/OR FLATNESS .005 IN./1 IN.	MATERIAL:		TITLE
CONCENTRICITY .010 TIR			PST16 AUDIO BOARD
UNMARKED ANGLES, BENDS AND INTERSECTIONS 90°			SIZE
THREADS- EXT. CLASS 2A			C
INT. CLASS 2B			CODE IDENT
			57010
			DWG. NO.
			770549
			SCALE:
			SHEET:

