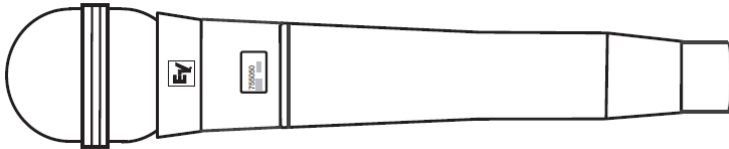




## Users Manual

### Electro-Voice Model REV-H Handheld Wireless Microphone Transmitter



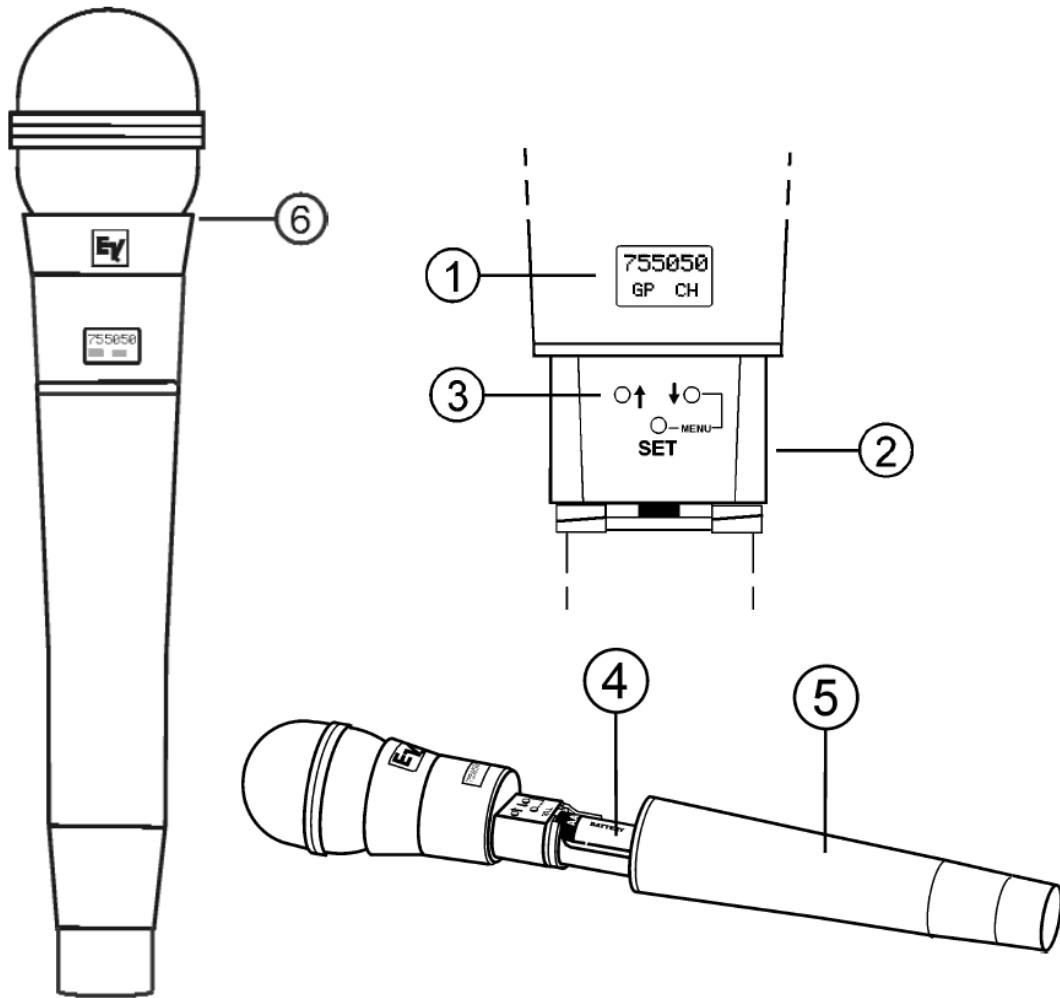
The Electro-Voice (Ev) REV-H is a Professional Grade Wireless Handheld Transmitter operating in the UHF frequency range. The REV-H combines frequency agility and ease of use like no other. The transmitter operates within a 24 MHz wide segment in 25 KHz steps.

The high quality audio circuitry and advanced Radio Frequency (RF) signal processing offer broadcast quality signal-to-noise and audio clarity. The typical line-of-sight distances for the system may be up to 300 feet.

System features include:

- Durable Painted Metal Handle.
- Permanent Flash Memory for frequency/setting storage.
- On-Loc prevents accidental power off (when set).
- LCD Display with Backlight for ease of viewing.
- Internal top loaded monopole Antenna.

REV-H Controls and Connections:



1. Main Display – LCD. Display backlight – flashes when battery is low
2. Power On/Off Switch
3. Control Buttons – SET, UP and DOWN
4. Two AA Batteries
5. Battery Cover – Screw Type
6. Microphone Element

Quick set-up:

1. With the Power Switch on the transmitter OFF, install fresh batteries into the transmitter.
2. ***To prevent feedback or unintentional noise, mute the audio mixer/amplifier or other device during set-up adjustments.***

Place the transmitter Power Switch to the ON position.

3. The operating screen (display) light will come on momentarily. The display will current frequency group and channel and the battery level. Note: Anytime Power is removed and turned back on, the GP/CH/Bat screen will be displayed.
4. The screen will stop at the GP (Group) and CH (Channel) screen. If the Group and Channel match the desired receiver group and channel, Proceed to Step 11. If not, proceed to Step 5.
5. To select a different GP/CH, press SET one time. The Group will start flashing. Use the up and down arrows to change the group number. Press the SET button to save the Group.
6. After setting the Group, The Channel number will start flashing . Use the up/down arrows to change the Channel number. Press SET and the channel is now saved.
7. There are 10 Groups and up to 16 Channels (preferred groups/channels) stored in memory. If desired, you can create new groups/ channels but you must change to a new frequency to store in that group/channel.
8. In order to select a new frequency, you must have a “users” group /channel selected. Press the SET button. The Group should be flashing. Press the Up arrow until a group ending with u is found (any u group can be used) Press SET. The Channel should now be flashing. Select a channel with the up/down arrow. Press SET.
9. You are now ready to select a frequency to store in the users group above. Press and hold the set and down arrows at the same time for 3 seconds and release to go to the next screen function.

10. The next screen displays the operating frequency of the group/channel. If there is no frequency currently stored in the selected users group/channel, a dashed line will be shown. Press SET. The dashed line or frequency will start flashing. Press the up arrow one step at a time to find the desired frequency or hold down the up arrow to scroll through the frequencies quickly. The frequencies can be scrolled either way by the up/down buttons. When the desired frequency is showing, press SET.
11. Press and hold the set and down arrows at the same time for 3 seconds and release to go to the next screen function.
12. The next screen is the audio (microphone) level (attenuator) screen. Setting the level correctly depends on the microphone used and the person using the microphone. Setting the attenuator to “0”db is the same as setting a control to maximum gain. Setting the attenuator to -42 db is the same as setting a control to minimum gain. Each step of the attenuator equals 3 db.  
  
Setting the attenuator for the maximum Audio Meter reading on the receiver without peak distortion will produce the best signal to noise ratio.
13. The next screen is RF Power. The Transmit Power (RF) is shipped set to “Lo” for use with multiple frequency systems and the best battery life. “Hi power can be selected for longer distances or to suppress noise or interference. The nominal power in Hi is 50 milliwatts.
14. When power off is required, simply place the power Off-On switch in the OFF position. The display will then delay slightly to allow the receiver to shut down quietly.

## REV-H Specifications

RF Frequency range.....	512.0 to 536.0 MHz.
RF Channel Step.....	25 KHz.
RF Power.....	Norm, 5 mW; High, 50 mW (typical).
Modulation.....	FM, 40 KHz Deviation nominal.
Audio Frequency Response.....	80-15000 Hz +/- 2 dB.
Audio Attenuator Range.....	42 dB.
Microphone (Dynamic).....	150 Ohm.
Antenna.....	Top Loaded Monopole.
Power.....	Two AA Batteries.
Battery Life (Alkaline).....	8-10 Hours Typical.

### Approval Information:

(English)

The Electro-Voice REV-H Transmitter is Type Accepted under United States Federal Communications Commission CFR 47, Part 74 and Certified to Industry Canada RSS-123. The device also complies with CRF 47, Part 15 of the FCC Rules and Industry Canada ICES-003 rules.

Operation is subject to the following conditions:

1. This device may not cause harmful interference.
2. This device must accept any interference received, including interference that may cause undesired operation.
3. Use only the manufacturer or dealer supplied accessories for this device.
4. This device must not be co-located or operated in conjunction with any other antenna or transmitter.

**CAUTION:** Any changes or modifications not expressly approved by the party responsible for compliance could void the user's authority to operate this equipment.

**Licensing of Electro-Voice equipment is the users responsibility and licensability depends upon the user's classification, user's application and frequency selected. Bosch Security Sisetms, Inc., strongly urges the user to contact the appropriate telecommunications authority for any desired clarification.**

This Class B digital apparatus complies with Canadian ICES-003.

This equipment has been tested and found to comply with the limits for a Class B digital device, pursuant to Part 15 of the FCC Rules. These limits are designed to provide reasonable protection against harmful interference in a residential installation.

This equipment generates, uses, and can radiate radio frequency energy and, if not installed and used in accordance with the instructions, may cause harmful interference to radio communications. However, there is no guarantee that interference will not occur in a particular installation. If this equipment does cause harmful interference to radio or television reception, which can be determined by turning the equipment off and on, the user is encouraged to try to correct the interference by one or more of the following measures:

- Reorient or relocate the receiving antenna.
- Increase the separation between the equipment and receiver.
- Connect the equipment into an outlet on a circuit different from that to which the receiver is connected.
- Consult the dealer or an experienced radio/TV technician for help.

(French)

Le Electro-Voice REV-H émetteur est Type accepté aux termes des États-Unis de la Federal Communications Commission CFR 47, partie 74 et certifié à Industrie Canada RSS-123. Le dispositif est également conforme CRF 47, partie 15 des règles de la FCC et Industrie Canada NMB-003 des règles. Son fonctionnement est soumis aux conditions suivantes:

1. Le dispositif ne doit pas causer d'interférences nuisibles.
2. Cet appareil doit accepter toute interférence reçue, y compris les interférences qui peuvent perturber le fonctionnement.
3. Utilisez uniquement le fabricant ou le revendeur accessoires fournis avec cet appareil.
4. Ce dispositif ne doit pas être co-implantés ou exploités en conjonction avec une autre antenne ou transmetteur.

**ATTENTION:** Les changements ou modifications à cet appareil sans expressément approuvée par la partie responsable de conformité pourraient annuler l'autorité de l'utilisateur de faire fonctionner cet équipement.

Attribution de licences à Electro-Voice équipement est la responsabilité de l'utilisateur et elle dépend à la classification de l'utilisateur, l'application utilisateur et de la fréquence sélectionnée. Bosch Security Sysetms, Inc, exhorte à l'utilisateur de communiquer avec l'autorité de télécommunications appropriés pour toute précision souhaitée.

Cet appariel numérique de la classe B est conforme à la norme NMB-003 du Canada.

Conformité aux normes FCC Cet équipement a été testé et trouvé conforme aux limites pour un dispositif numérique de classe B, conformément à la Partie 15 des règlements de la FCC et NMB-003 canadien. Ces limites sont conçues pour fournir une protection raisonnable contre les interférences nuisibles dans une installation résidentielle.

Cet équipement génère, utilise et peut émettre des fréquences radio et, s'il n'est pas installé et utilisé conformément aux instructions du fabricant, peut causer des interférences nuisibles aux communications radio.

Rien ne garantit cependant que l'interférence ne se produira pas dans une installation particulière. Si cet équipement provoque des interférences nuisibles à la réception radio ou de télévision, qui peut être déterminé en comparant et en l'éteignant, l'utilisateur est encouragé à essayer de corriger les interférences par une ou plusieurs des mesures suivantes:

- Réorienter ou déplacer l'antenne de réception.
- Augmenter la distance entre l'équipement et le récepteur.
- Branchez l'appareil dans une prise sur un circuit différent de celui auquel le récepteur est connecté.
- Consultez votre revendeur ou un technicien radio / TV pour assistance. Avertissement