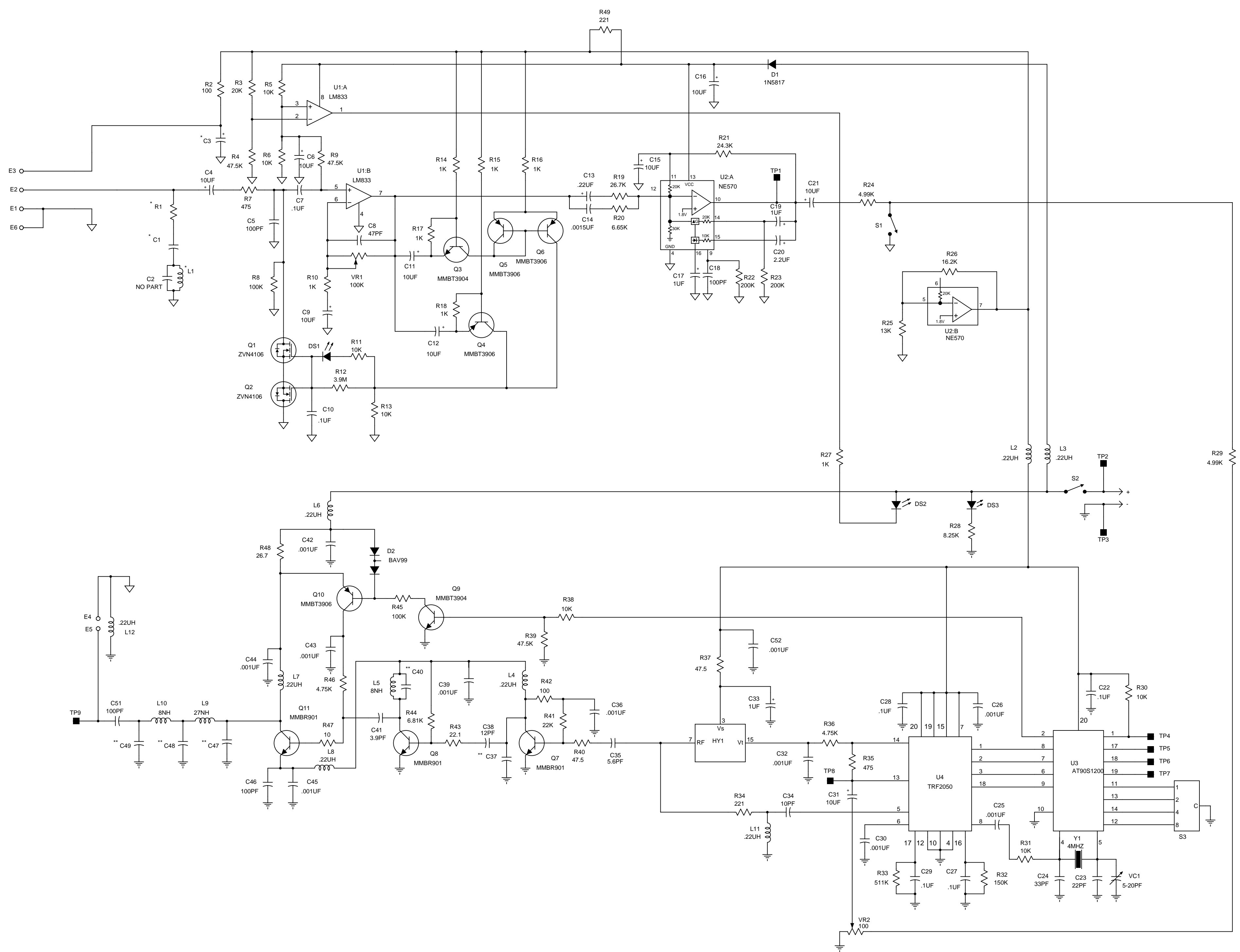


This drawing, written description or specification represents a proprietary product of TELEX, Lincoln, NE., and shall not be released, disclosed, nor duplicated without the written permission of TELEX.

4	3	2	1	SHT	SHEET
				REV	REV

REVISIONS					
CHG NO	LTR	DESCRIPTION	DATE	APPD	
	PC	PRE-RELEASED.	10/1/99	DN	
	PD	UPDATED SCHEMATIC	10/27/99	TJY	
	A?	ADD R2 TO 767A MODEL, REMOVE FROM MIC HEAD TABULATION.	11/10/99		



* MIC HEAD TABULATION

MIC HEAD	REFERENCE DESIGNATOR			
	C1	C3	R1	L1
ELEC/167/267A	---	10UF	---	---
767A	.033UF	---	121 OHM	22mH

** FREQUENCY TABULATION

US FREQ. RANGE	R.O.W. FREQ. RANGE	REFERENCE DESIGNATOR				
		C37	C40	C47	C48	C49
518-566MHz	512-566MHz	3.9PF	---	2.2PF	6.8PF	4.7PF
566-620MHz	566-620MHz	2.7PF	---	1.8PF	5.6PF	4.7PF
620-680MHz	620-680MHz	1.8PF	---	1.5PF	4.7PF	3.9PF
680-752MHz	680-752MHz	1.2PF	---	1.2PF	3.9PF	3.9PF
752-806MHz	752-825MHz	---	---	1.0PF	3.3PF	3.9PF

REFERENCE PCB : 750504

NOTES:

QTY	DESCRIPTION	ITEM	PART NO	DESIGNATOR									
	UNSPECIFIED LIMITS OF TOLERANCE	DATE	7/6/99										
	DECIMAL: FRACTION:	DR BY	RB										
	.X = .050 IN MACHINED	CHK BY											
	.XX = .030 IN FINISH: 64	APPD.											
	.XXX = .010 IN	PROD											
	ANGLES 1 : BENDS 2 +	MATERIAL:											
	STRAIGHTNESS AND/OR FLATNESS .005 IN/1 IN.	<table border="1"> <tr> <td>SIZE</td> <td>CODE IDENT</td> <td>DWG.NO.</td> </tr> <tr> <td>D</td> <td>57010</td> <td>770598</td> </tr> <tr> <td>SCALE</td> <td></td> <td>SHEET</td> </tr> </table>			SIZE	CODE IDENT	DWG.NO.	D	57010	770598	SCALE		SHEET
SIZE	CODE IDENT				DWG.NO.								
D	57010				770598								
SCALE					SHEET								
	CONCENTRICITY .010 TIR												
	UNMARKED ANGLES, BENDS AND INTERSECTIONS 90												
	THREADS- EXT. CLASS 2A INT. CLASS 2B												
	NEXT ASSY.	USED ON											
	APPLICATIONS												



TITLE
NHTU 10 CHNL
SYN TRANSMITTER