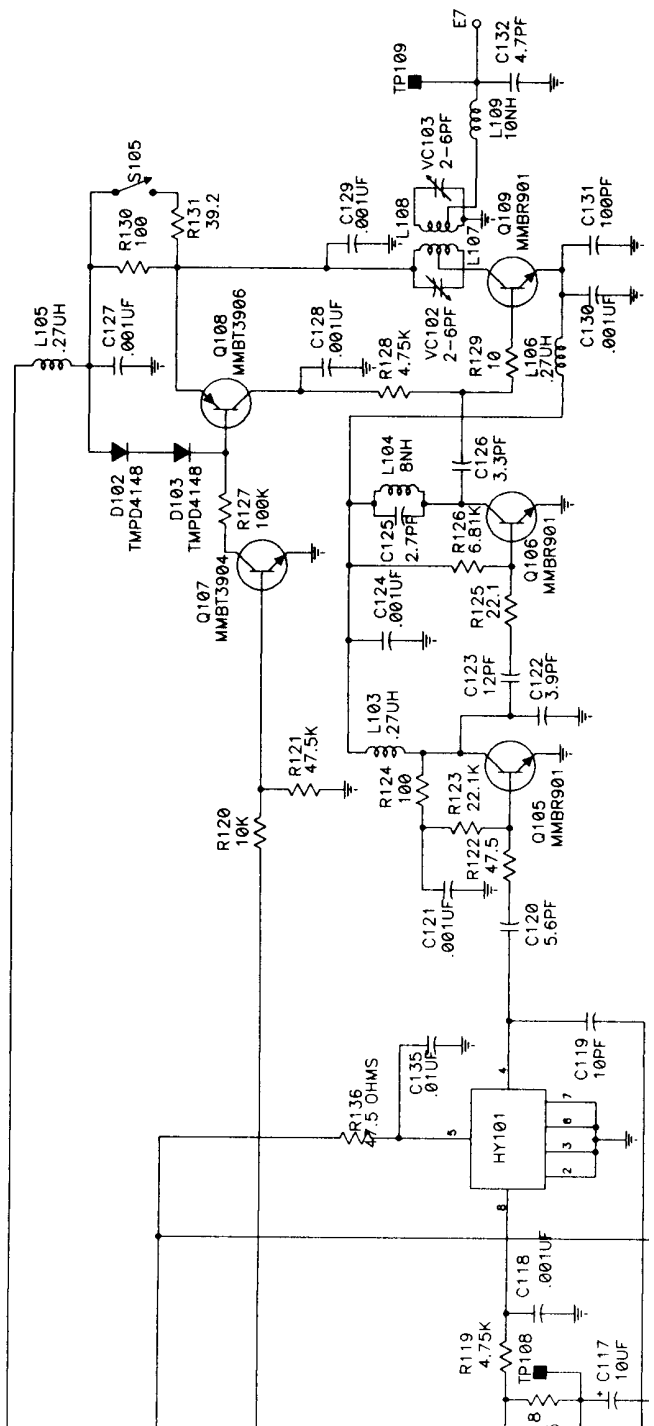
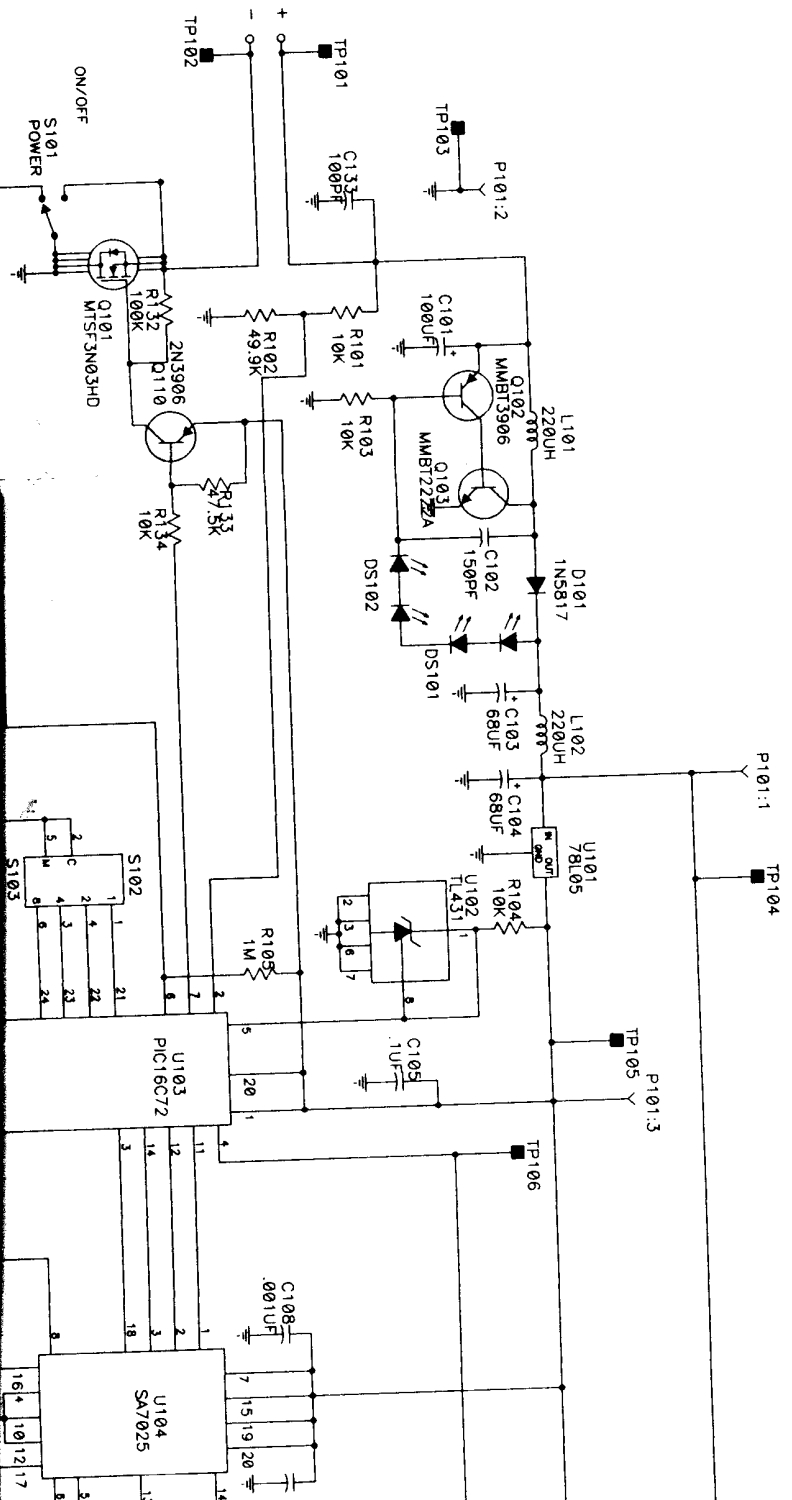


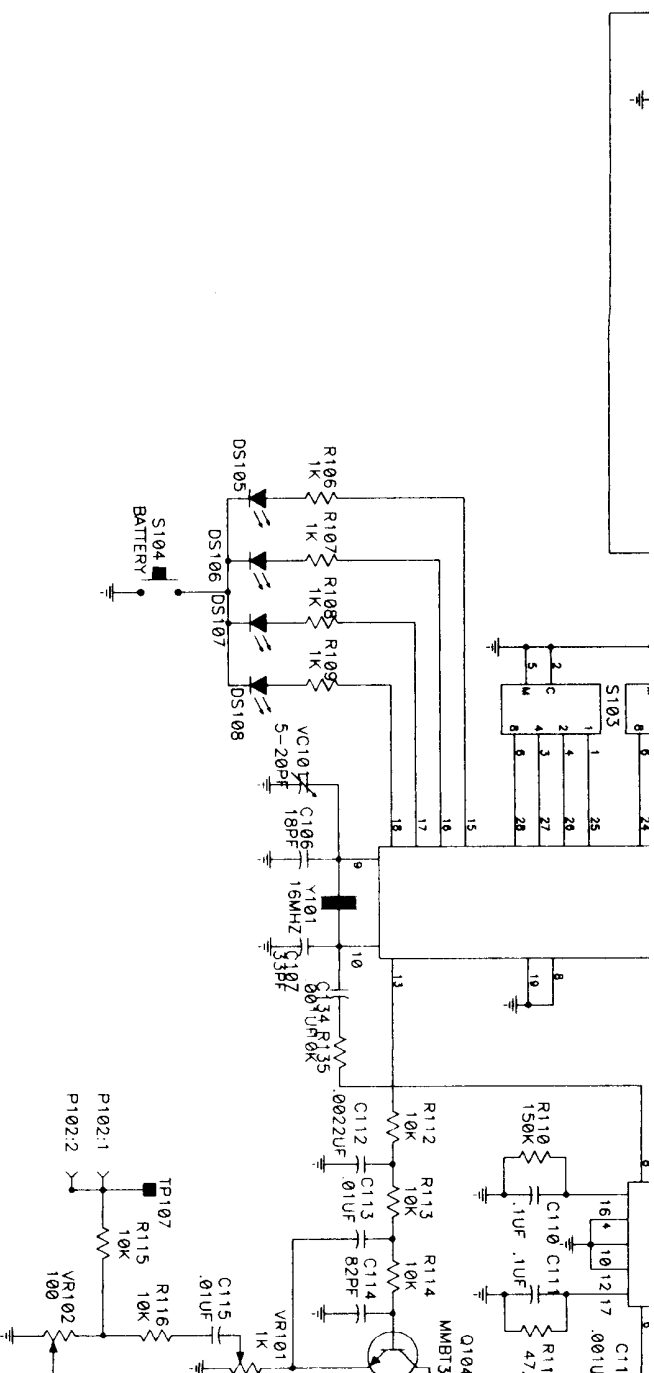
SHEET				REVISIONS			
REV	REV	CHG NO	LTR	DESCRIPTION	DATE	APPD	
1	1		A	RELEASED	3/13/98	SBC	
2			B	Q103 MMBT2222A WAS MMBT3904	5/06/98	TJY	
3			C	R110 FROM 47.5K TO 150K	5/06/98	SBC	
4							



770507

This drawing, written description or specification represents a proprietary product of TELDEX, Lincoln, NE, and shall not be released, disclosed, or duplicated without the written permission of TELDEX.

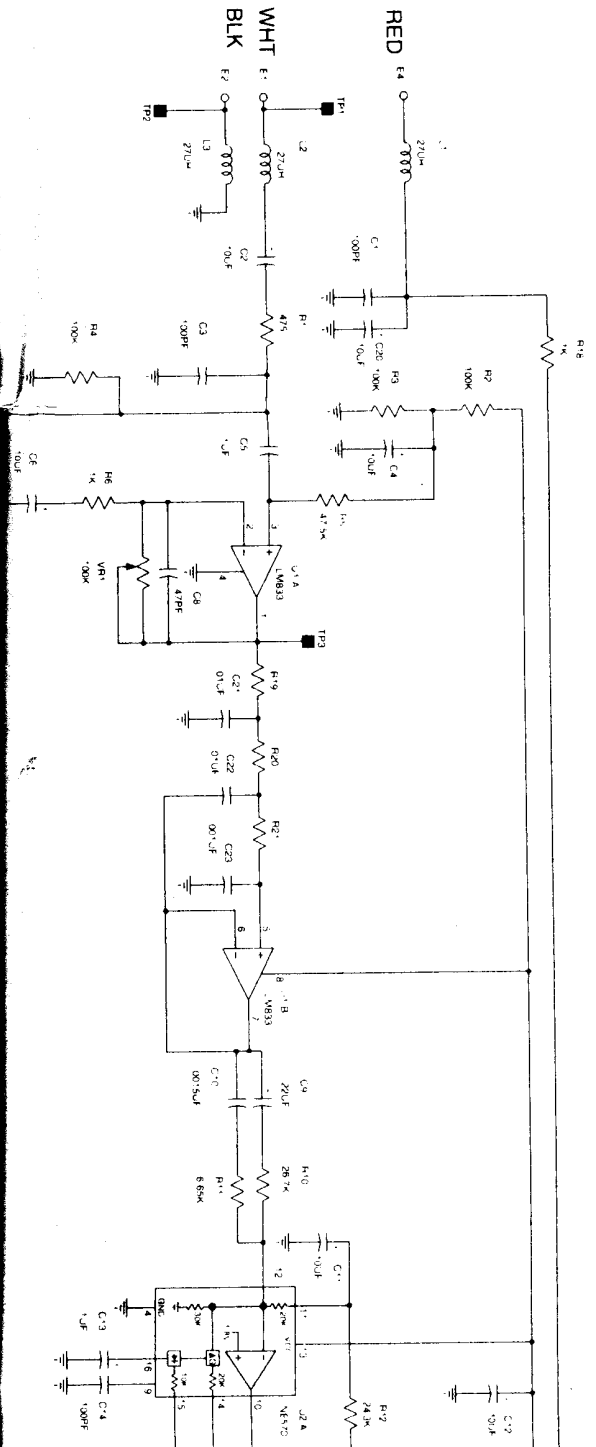




REFERENCE PCB 750454

NOTES:

This drawing, when description of specification represents a proprietary product of TELE X Union, NE, and shall not be reissued, disclosed, or duplicated without the written permission of TELE X



SHEET				REVISIONS				
REV	REV	REV	STATUS	CHG NO	LTR	DESCRIPTION	DATE	APPD
4	3	2	1					

