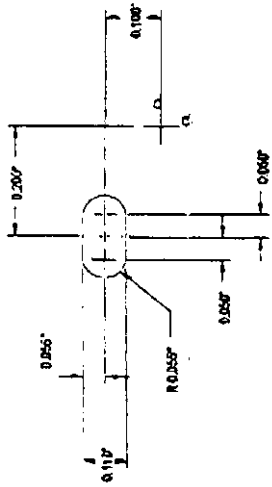
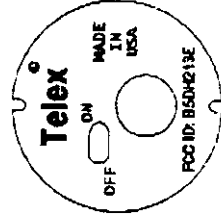
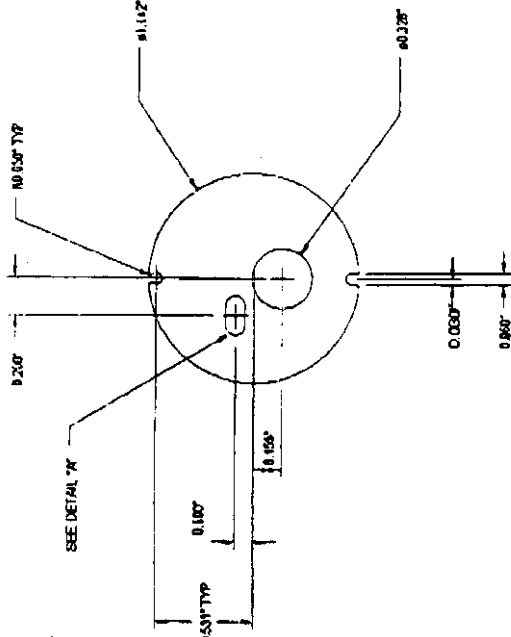


**MD40799S**

This drawing, written description or specification represents a proprietary product of TELEX, Lincoln, NE, and shall not be released, disclosed, or duplicated without the written permission of TELEX.



**DETAIL "A"**



**MATERIAL: .005" VELVET LEXAN WITH PERMANENT PRESSURE SENSITIVE ADHESIVE AND PAPER RELEASE LINER.**

**CHARACTERS TO BE SILVER ON BLACK BACKGROUND.**

| REVISIONS   |      |
|-------------|------|
| CHG NO      | LTR  |
| ---         | A    |
| DESCRIPTION | DATE |
| RELEASE     | APPD |

**QTY**

**DESCRIPTION**

UNSPECIFIED LIMITS OF TOLERANCE  
 DECIMAL:  
 .X = .050 IN.  
 .XX = .030 IN.  
 .XXX = .010 IN.

ANGLES 1°, BENDS 2°  
 STRAIGHTNESS AND/OR FLATNESS .005 IN./1 IN.  
 CONCENTRICITY .010 TIR  
 UNMARKED ANGLES, BENDS AND INTERSECTIONS 90°  
 THREADS - EXT. CLASS 2A  
 INT. CLASS 2B

**DATE**

DR BY

CHK BY

APPD.

PROD.

**MATERIAL:**

**ITEM**

**PART NO.**

**SPECIFICATION**



**TITLE**

**SH-100E END CAP - FCC LABEL**

**SIZE** A  
**CODE IDENT** 5701D  
**DWG. NO.** MD40799S  
**DISK XX**  
**SCALE:** X OF X

**NEXT ASSY.** USED ON

**APPLICATIONS**