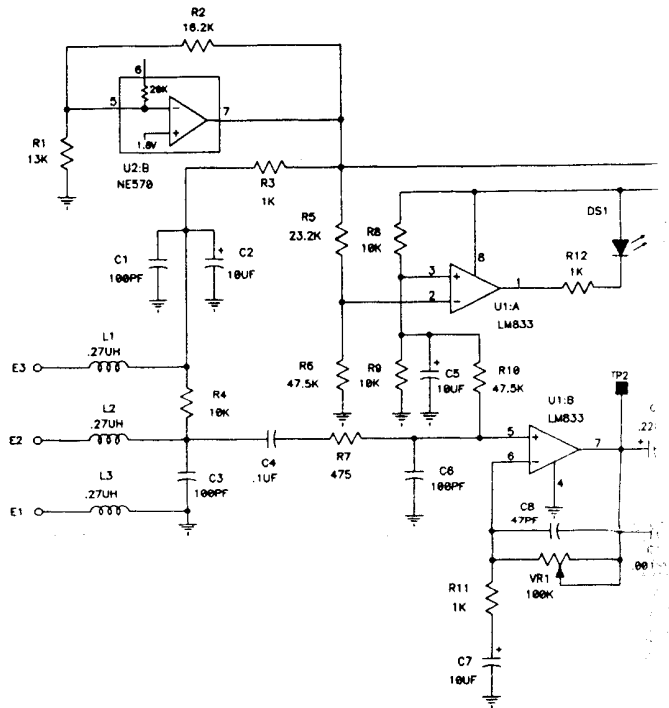


770553

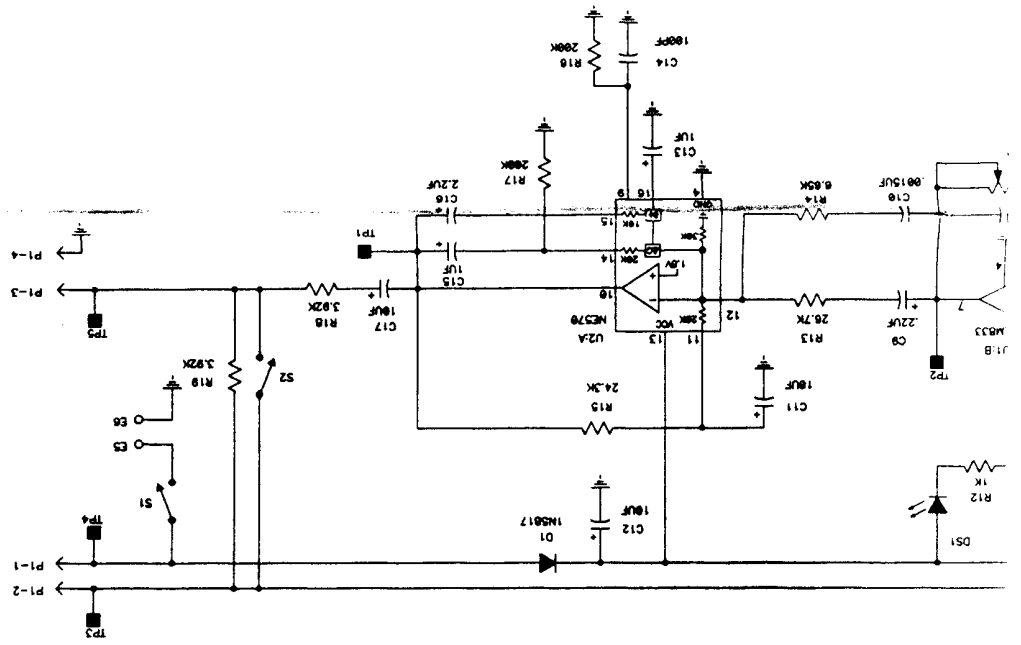
This drawing, written description or specification represents a proprietary product of TELEX, Lincoln, NE, and shall not be released, disclosed, nor duplicated without the written permission of TELEX



REFERENCE PCB 750483

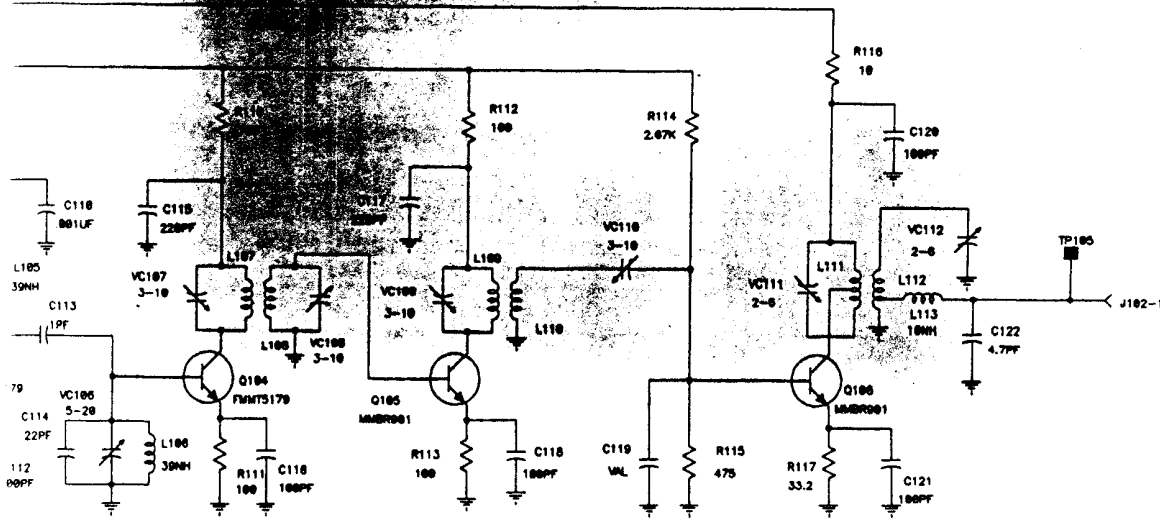
879123(LIN)	
879122(SMT)	UT-12
NEXT ASSY.	USED ON
APPLICATIONS	

UNSPECIFIED LIMITS OF TOLERANCE		DECIMAL:		FRACTION:		MACHINED		FINISH: 64	
X		= ±.050 IN		MACHINED		.XX		= ±.030 IN	
.XXX		= ±.010 IN		ANGLES ±1°, BENDS ±2°		STRAIGHTNESS AND/OR		FLATNESS .005 IN/1 IN.	
-12		CONCENTRICITY .010 TIR		AND INTERSECTIONS 90°		UNMARKED ANGLES, BENDS		D ON	
D ON		THREADS - EXT. CLASS 2A		INT. CLASS 2B		SCALE:		SHEET:	
C		SIZE		CODE IDENT		57010		DWG. NO. 770553	
UT-12 AF		TITLE		MATERIAL:		PROD.		APPD.	
TELEX COMMUNICATIONS INC.		LONDON HEADQUARTERS U.S.A.		TELEX		ny-gain		DATE	
7/16/98		DR BY		R. BASINE		CHK BY		10/15/98	
ITEM		PART NO.		SPECIFICATION		DESCRIPTION		DATE	



REVISIONS		CHG. NO.	LTR	DESCRIPTION	DATE	APPD
		A	RELEASED		10/15/98	PC

REVISIONS				
CHG.NO.	LTR	DESCRIPTION	DATE	APPD
	A	RELEASED	10/15/98	ABC

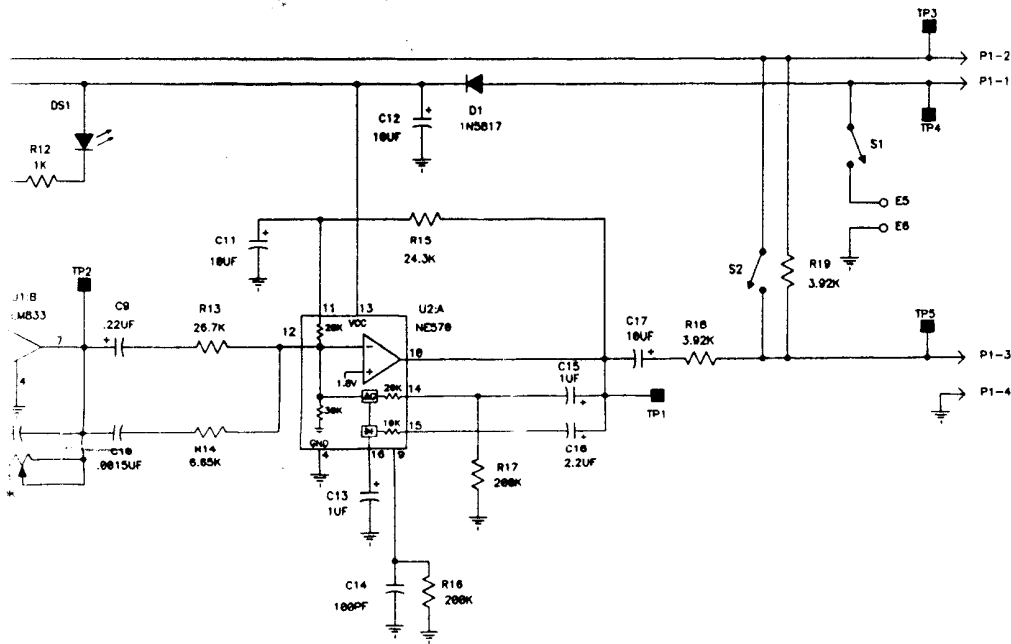


QTY	DESCRIPTION	ITEM	PART NO.	SPECIFICATION
	UNSPECIFIED LIMITS OF TOLERANCE	DATE	7/16/98	<b>TELEX. hy-gain.</b> <small>TELEX COMMUNICATIONS INC.          Lincoln Nebraska U.S.A.</small>
	DECIMAL FRACTION:	DR BY	R. BASINE	
	X .XX .XXX	CHK BY	362 10/15/98	
	ANGLES STRAIGHTNESS AND FLATNESS CONCENTRICITY UNMARKED DIMENSIONS AND INTERFERENCES THREADS	APPD.	RE 10/15/98	
		PROD.		TITLE
		MATERIAL:		SCHEMATIC, UT-12 RF
12				SIZE C
ON				CODE IDENT 57010
				DWG. NO. 770552
				SCALE: NONE
				SHEET: 1 OF 1

BE, LN



REVISIONS				
CHG.NO.	LTR	DESCRIPTION	DATE	APPD
	A	RELEASED	10/15/98	

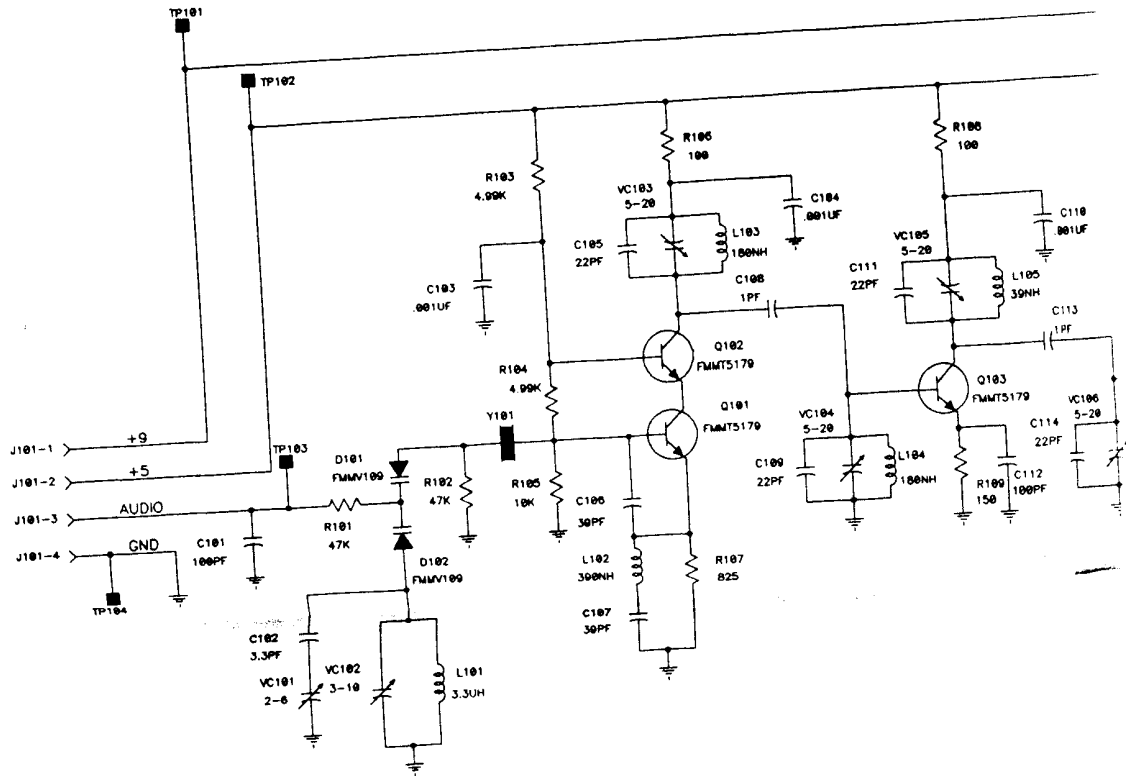


DESCRIPTION		ITEM	PART NO.	SPECIFICATION
UNSPECIFIED LIMITS OF TOLERANCE		DATE	7/16/98	TELEX. <u>hy-gain.</u> TELEX COMMUNICATIONS INC. Lincoln, Nebraska U.S.A.
DECIMAL: FRACTION:		DR BY	R. BASINE	
.X = ± .050 IN MACHINED		CHK BY	<i>[Signature]</i>	TITLE UT-12 AF
.XX = ± .030 IN FINISH: 64		APPD.	<i>[Signature]</i>	
.XXX = ± .010 IN		PROD.		SIZE CODE IDENT DWG. NO. C 57010 770553
ANGLES ± 1°, BENDS ± 2°		MATERIAL:		
STRAIGHTNESS AND/OR FLATNESS .005 IN. / 1 IN.				SCALE: SHEET:
CONCENTRICITY .010 TIR				
UNMARKED ANGLES, BENDS AND INTERSECTIONS 90°				
THREADS- EXT. CLASS 2A INT. CLASS 2B				

-12  
D ON

770552

This drawing, written description or specification represents a proprietary product of TELEX, Lincoln, NE., and shall not be released, disclosed, nor duplicated without the written permission of TELEX.



REFERENCE PCB 750482

879121(LIN)	
879120(SMT)	UT-12
NEXT ASSY.	USED ON
APPLICATIONS	