
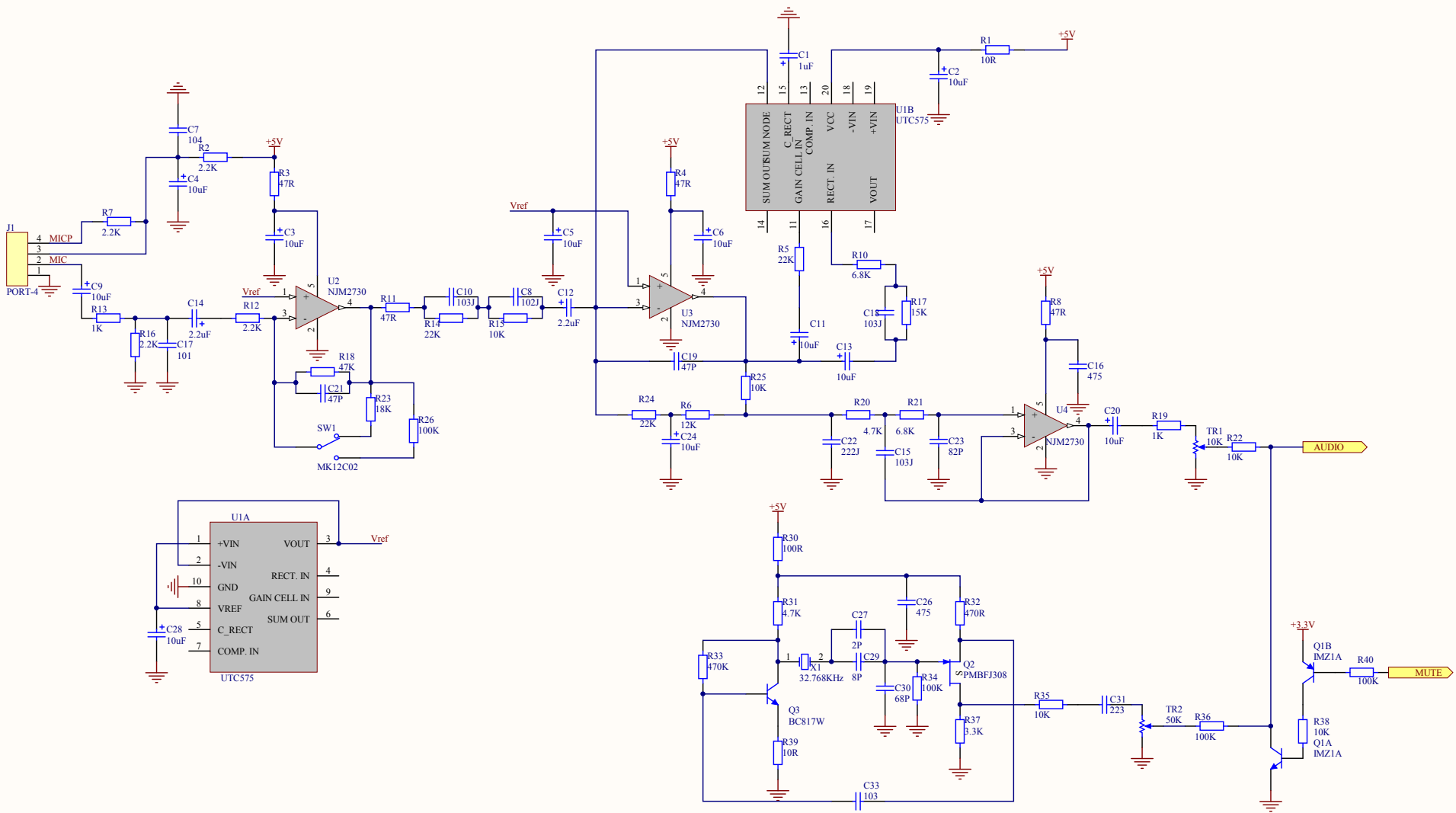
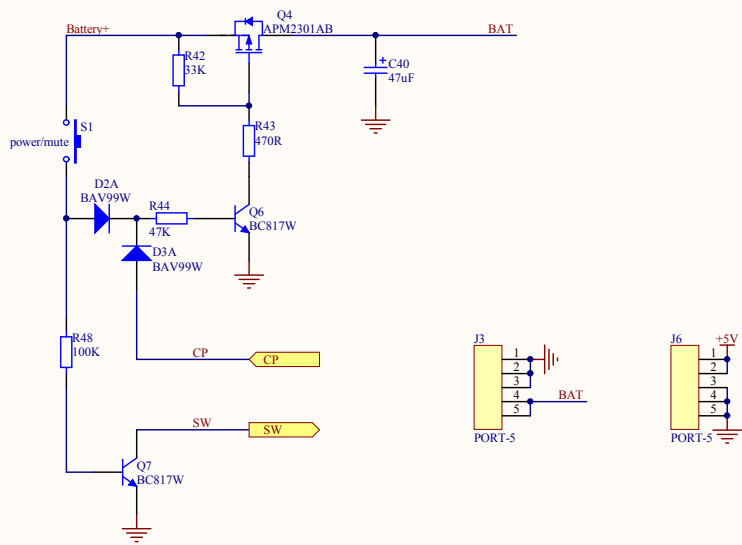



Title			<i>Relacart Electronics Ltd.</i> Guangdong Enping Fixing Road, on the 10th	
Size: <b>B</b>	Number:	Revision:		
Date: 2010/9/28	Time: 11:13:31	Sheet of		
File: E:\pcb\Project\EV300 Wireless Microphone\BP-300.SchDoc				

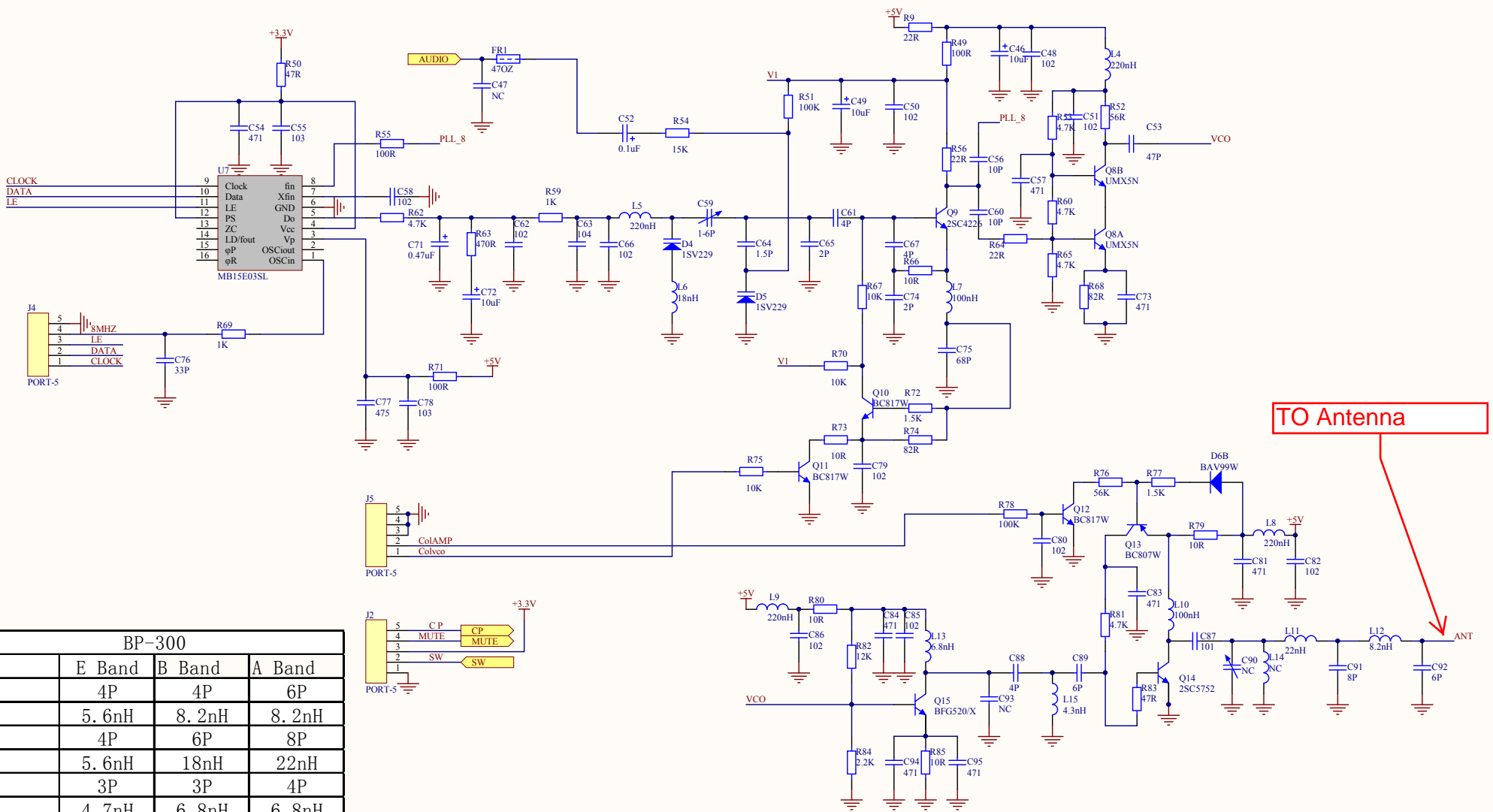


Title			Relacart Electronics Ltd.
Size: B			Guangdong Enping
Number:	Revision:	Fixing Road, on the 10th	
Date: 2010/9/28	Time: 11:13:31	Sheet of	
File: E:\pcb\Project\EV300 Wireless Microphone\BP-300-AF.SchDoc			



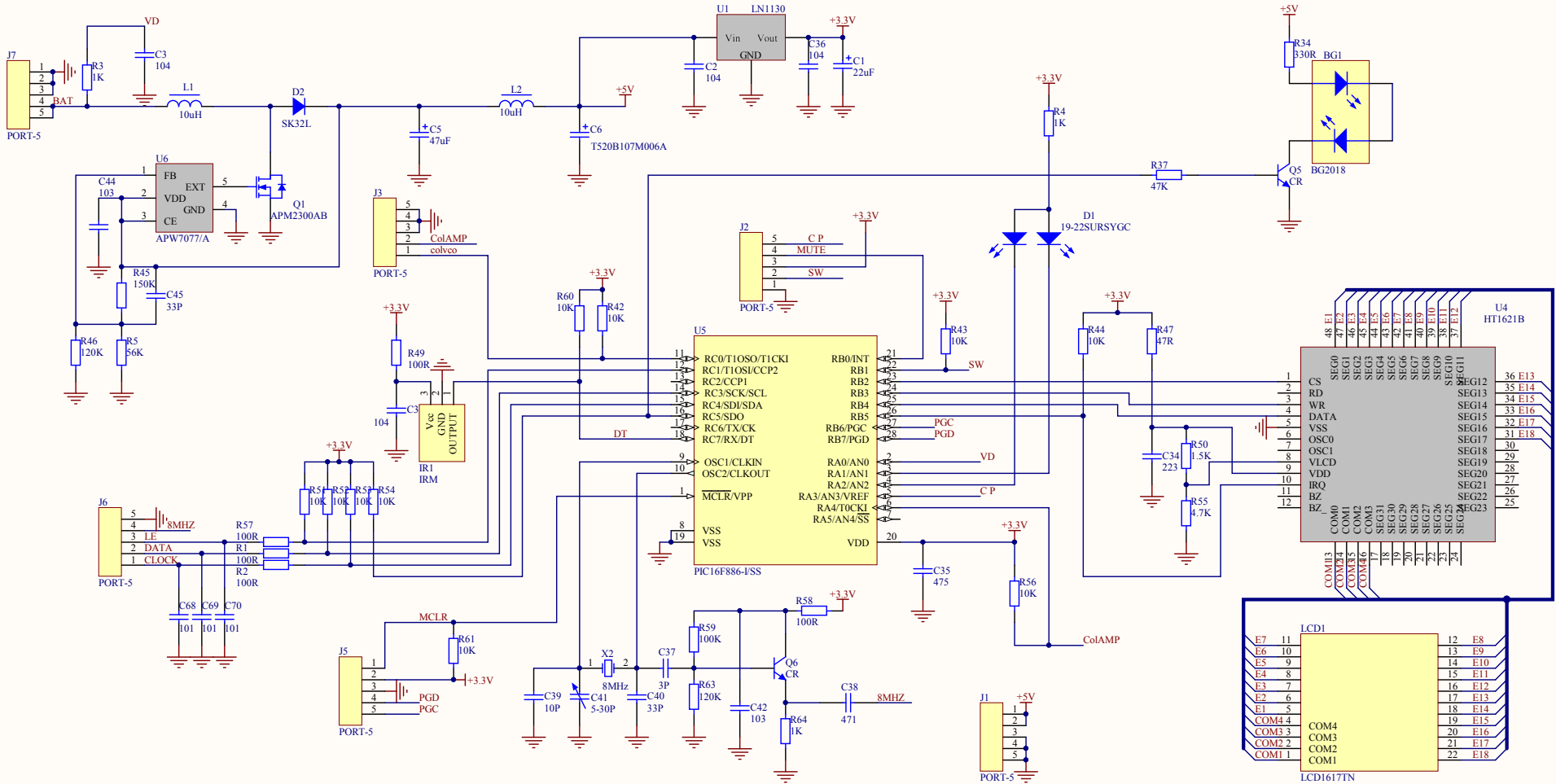


Title			Relacart Electronics Ltd. Guangdong Enping Fuxing Road, on the 10th	
Size: B	Number:	Revision:		
Date: 2010/9/28	Time: 11:13:31	Sheet: of		
File: E:\pcb\Project\EV300 Wireless Microphone\BP-300-POWER SchDoc				



TO Antenna

BP-300			
	E Band	B Band	A Band
C92	4P	4P	6P
L12	5.6nH	8.2nH	8.2nH
C91	4P	6P	8P
L11	5.6nH	18nH	22nH
C88	3P	3P	4P
L13	4.7nH	6.8nH	6.8nH
C65	1P	2P	2P
C64	1P	1.5P	1.5P
L6	10nH	15nH	18nH



Title		Relacart Electronics Ltd. Guangdong Enping Fixing Road, on the 10th		
Size: B	Number:	Revision:		
Date: 2010/9/28	Time: 11:14:56	Sheet of		
File: E:\pcb\Project\EV300 Wireless Microphone\BP-300-MCU.SchDoc				