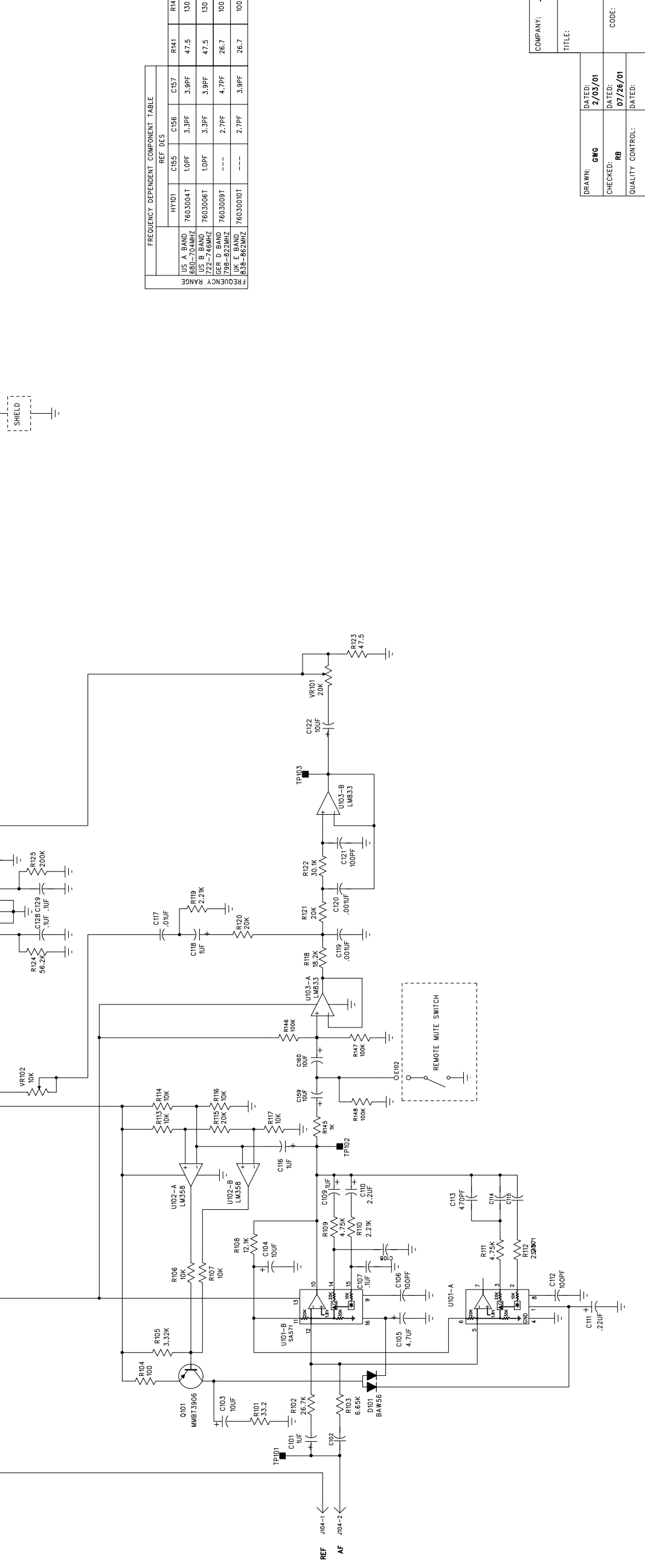
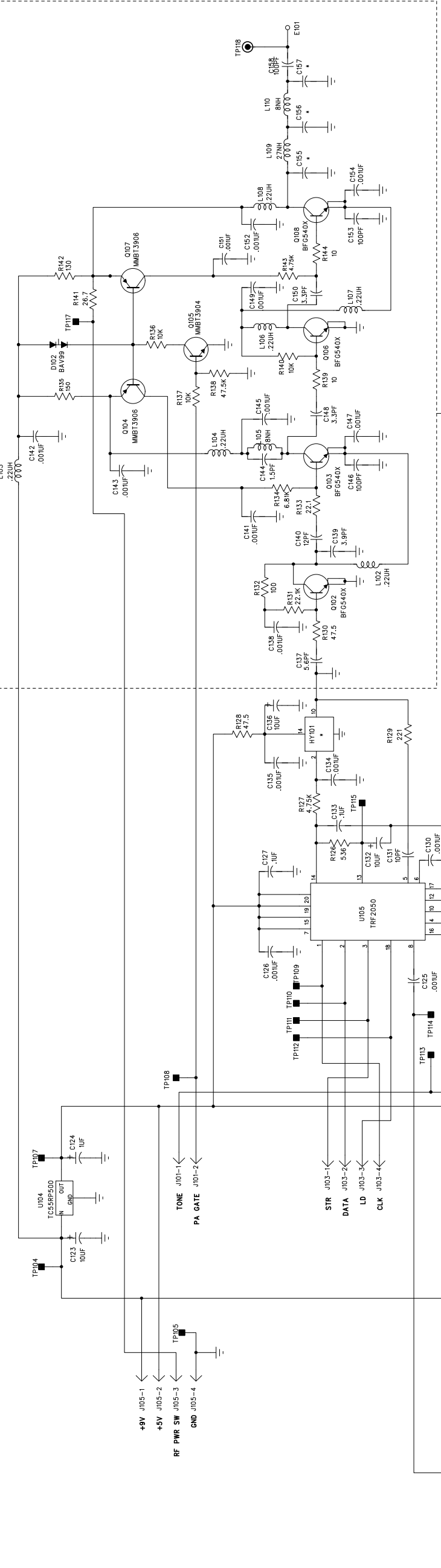


1 2 3 4 5 6

REVISION RECORD		
LTR	ECO NO.	APPROVED:
PD	PRELIMINARY	DDN
A	RELEASED	T.Y.



FREQUENCY DEPENDENT COMPONENT TABLE					
	HY101	C155	C156	C157	R142
US A BAND	7603004T	1.0PF	3.3PF	3.9PF	47.5
US B BAND	7603006T	1.0PF	3.3PF	3.9PF	47.5
US C BAND	7603008T	---	---	---	---
GER D BAND	7603009T	---	2.7PF	4.7PF	26.7
UK E BAND	7603010T	---	2.7PF	3.9PF	26.7
RSB-862MHZ	7603010T	---	2.7PF	3.9PF	26.7

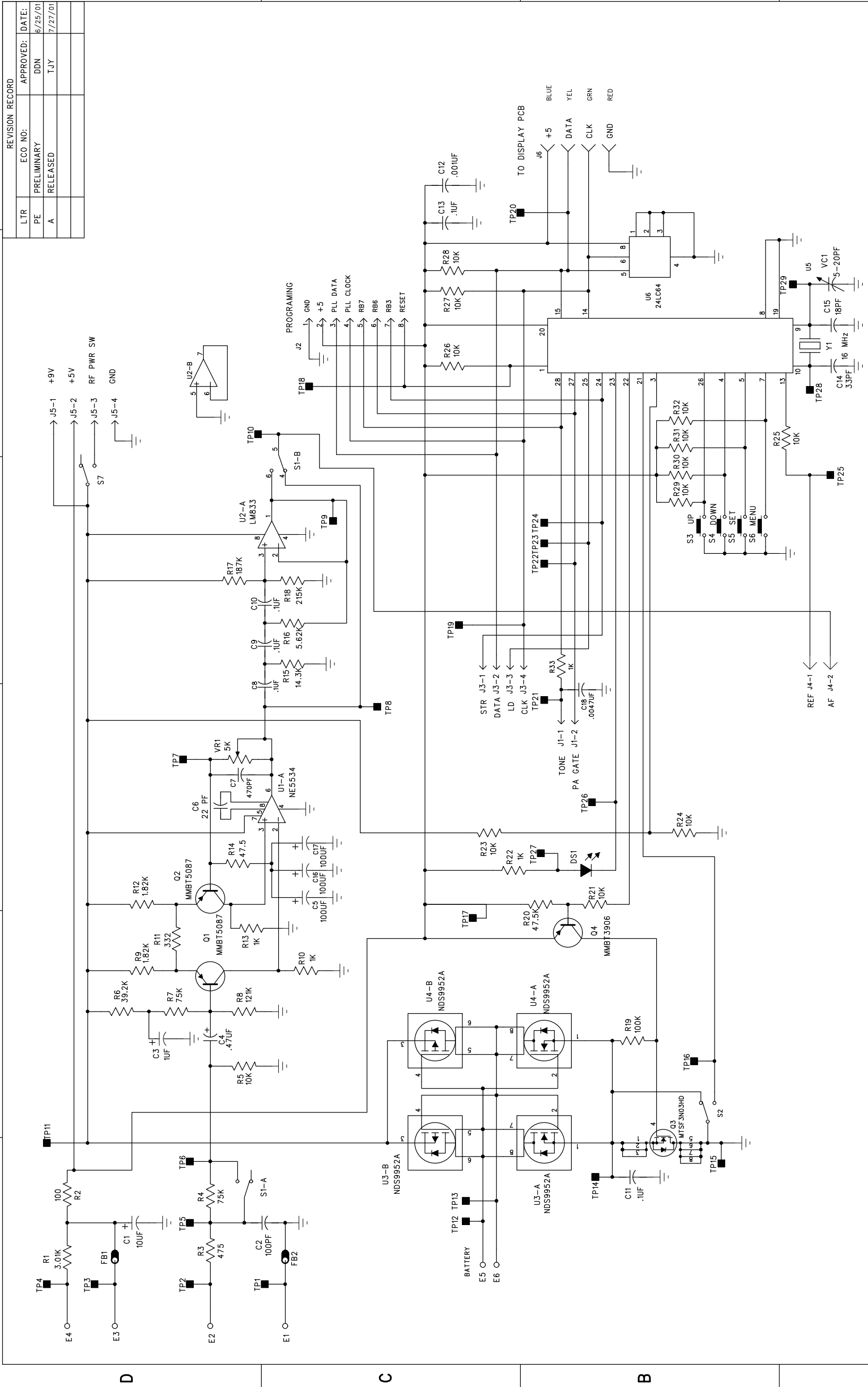
Ø12

COMPANY: TELEX COMMUNICATIONS
 TITLE: SCHEMATIC, ROSE 2
 BELT-PACK RF BOARD

DRAWN: CWG	DATED: 2/03/01
CHECKED: RB	DATED: 07/26/01
QUALITY CONTROL:	DATED:
RELEASED:	DATED:

CODE:	SIZE: C	DRAWING NO: 770663
REV:		

SHEET: OF



REVISION RECORD			
LTR	ECO NO:	APPROVED:	DATE:
PE	PRELIMINARY	DDN	6/25/01
A	RELEASED	TJY	7/27/01

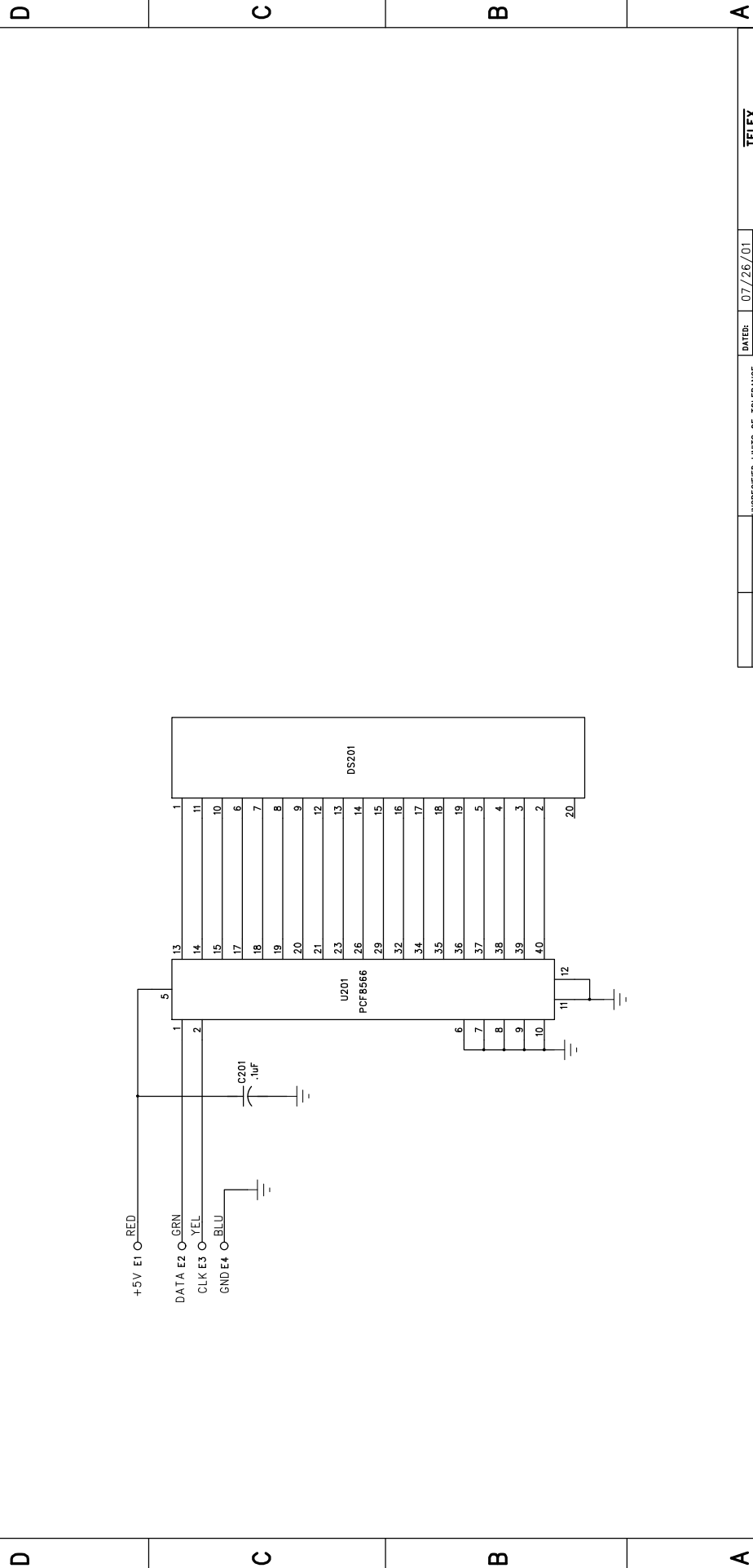
COMPANY: QM1 QM2 QM3 QM4			
TITLE: SCHEMATIC, ROSE 2			
BELT-PACK AUDIO/SWITCH BOARD			
DRAWN: DDN	DATED: 01/28/01	CODE:	SIZE:
CHECKED: TY	DATED: 07/27/01	RELEASED: RB	SCALE: 1 OF 1
QUALITY CONTROL:	DATED:		
RELEASED:	DATED: 7/27/01		

DRAWN: DDN	DATED: 01/28/01	CODE:	SIZE:
CHECKED: TY	DATED: 07/27/01	RELEASED: RB	SCALE: 1 OF 1
QUALITY CONTROL:	DATED:		
RELEASED:	DATED: 7/27/01		

6 5 4 3 2 1

ECO NO.		LTR	DESCRIPTION	DATE	APPR.
07-74-01		A	PRELIMINARY	4/11/01	DDN
		A	RELEASED	07/26/01	TJY

ECO NO.		LTR	DESCRIPTION	DATE	APPR.
07-74-01		A	PRELIMINARY	4/11/01	DDN
		A	RELEASED	07/26/01	TJY



DATE:		07/26/01
DRAWN:	DDN	
CHECKED:	TJY	07/26/01
APPR:	RB	07/26/01
MATERIAL:		
UNSPECIFIED LIMITS OF TOLERANCE		
DIMENSIONS UNLESS OTHERWISE SPECIFIED		
MATERIALS UNLESS OTHERWISE SPECIFIED		
FINISHES UNLESS OTHERWISE SPECIFIED		
ANGLES 45° UNLESS OTHERWISE SPECIFIED		
DIMENSIONS UNLESS OTHERWISE SPECIFIED		
CONDUCTIVITY AND THERMAL CHARACTERISTICS UNLESS OTHERWISE SPECIFIED		
AND INTERSECTIONS UNLESS OTHERWISE SPECIFIED		
FINISHES - INT. CLASS 2B		
NEXT ASSY:	USED ON:	APPLICATIONS:
TELEX TELECOMMUNICATIONS INC. URSULA, MARYLAND, U.S.A.		
TITLE: TX BELT PACK DISPLAY		
SIZE:	CODE:	DRAWING NO.
B	57010	770679
SCALE: SHEET: 1 OF 1		