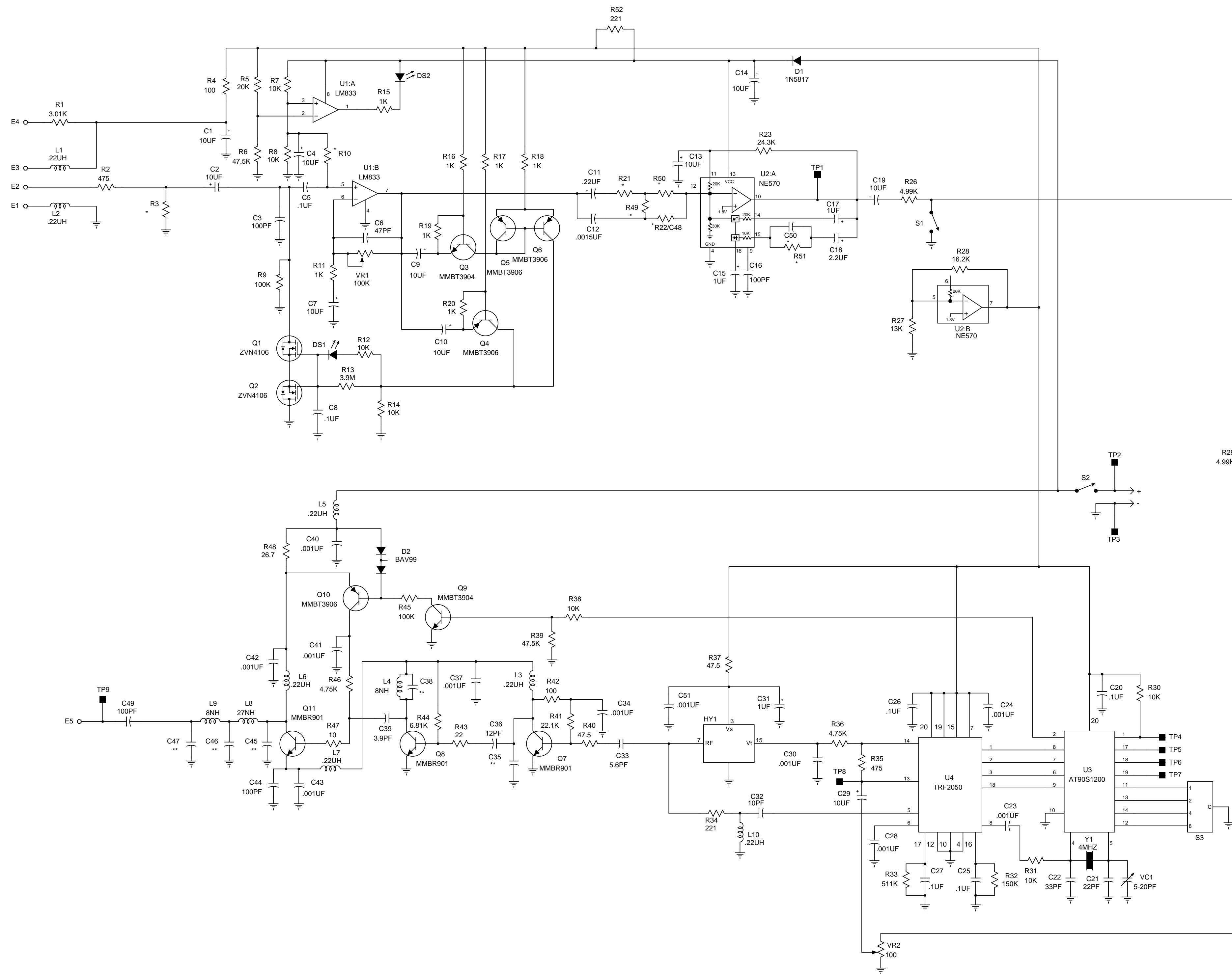


This drawing, written description or specification represents a proprietary product of TELEX, Lincoln, NE., and shall not be released, disclosed, nor duplicated without the written permission of TELEX.

4	3	2	1	SHT	SHEET
				REV	REV

REVISIONS		DESCRIPTION	DATE	APPD
CHG NO	LTR			
	A	RELEASED	11/24/99	SBC



MODEL TABULATION								
REFERENCE DESIGNATOR								
MODEL	C50	R3	R10	R21	R22/C48	R49	R50	R51
VOICE	NO PART	10K	47.5K	26.7K	6.65K	NO PART	0 OHM	0 OHM
GIUITAR	.1UF	NO PART	200K	10K	.01UF	0 OHM	35.7K	30.1K

** FREQUENCY TABULATION						
US FREQ. RANGE	R.O.W. FREQ. RANGE	REFERENCE DESIGNATOR				
		C35	C38	C45	C46	C47
518-566MHz	512-566MHz	3.9PF	2.7PF	2.2PF	6.8PF	4.7PF
566-620MHz	566-620MHz	2.7PF	2.7PF	1.8PF	5.6PF	4.7PF
620-680MHz	620-680MHz	1.8PF	2.2PF	1.5PF	4.7PF	3.9PF
680-752MHz	680-752MHz	1.2PF	1.8PF	1.2PF	3.9PF	3.9PF
752-806MHz	752-825MHz	---	1.5PF	1.0PF	3.3PF	3.9PF

REFERENCE PCB 750503

NOTES:

QTY	DESCRIPTION	ITEM	PART NO	DESIGNATOR								
	UNSPECIFIED LIMITS OF TOLERANCE	DATE	7/6/99									
	DECIMAL: FRACTION:	DR BY	RB									
	.X = .050 IN MACHINED	CHK BY	DDN 12/01/99									
	.XX = .030 IN FINISH: 64	APPD.	RB 12/01/99									
	.XXX = .010 IN	PROD										
	ANGLES 1 : BENDS 2 +	<table border="1"> <tr> <td colspan="2">MATERIAL:</td> </tr> <tr> <td>SIZE</td> <td>CODE IDENT</td> </tr> <tr> <td>D</td> <td>57010</td> </tr> <tr> <td>SCALE</td> <td></td> </tr> </table>			MATERIAL:		SIZE	CODE IDENT	D	57010	SCALE	
MATERIAL:												
SIZE	CODE IDENT											
D	57010											
SCALE												
	STRAIGHTNESS AND/OR FLATNESS .005 IN/1 IN.											
	CONCENTRICITY .010 TIR											
	UNMARKED ANGLES, BENDS AND INTERSECTIONS 90											
	THREADS- EXT. CLASS 2A INT. CLASS 2B											
879230-ALL(TH)												
879229-ALL(SMT)	NBPU											
NEXT ASSY.	USED ON											
APPLICATIONS												



TITLE
NBPU 10 CHNL SYNTHESIZED TRANSMITTER

DWG.NO. 770597