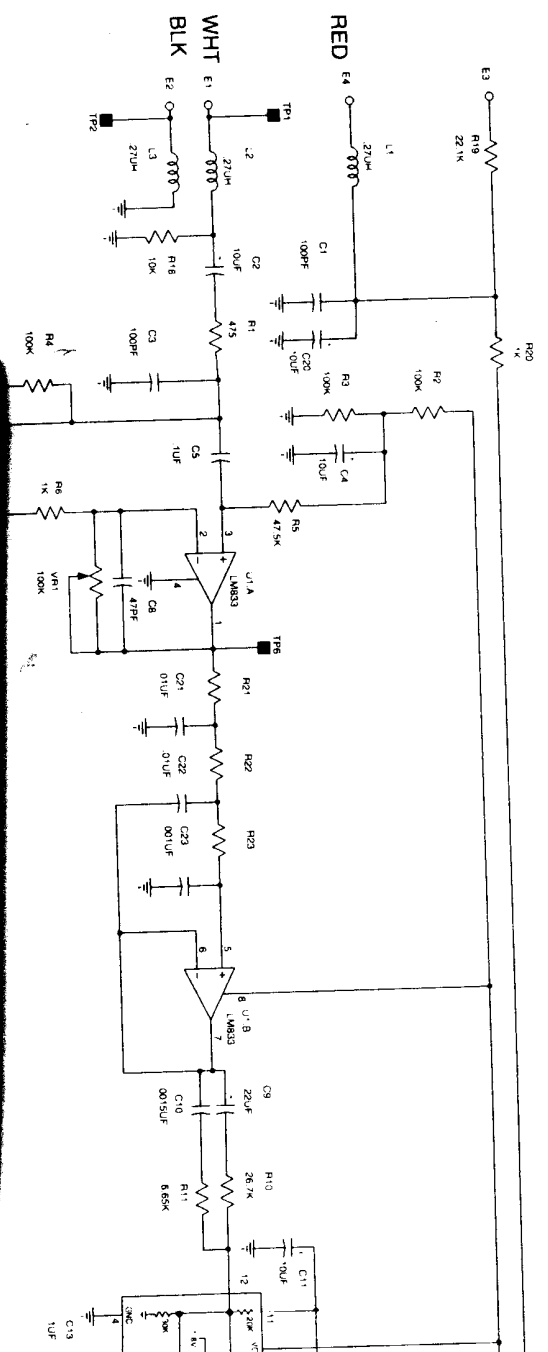
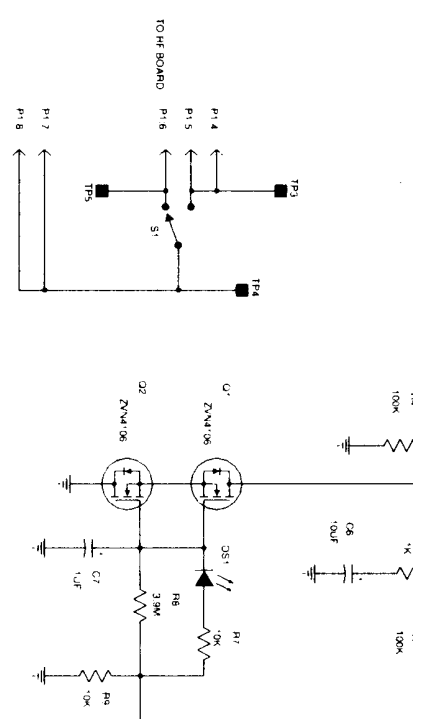


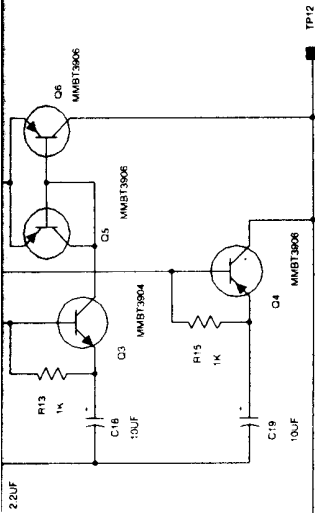
This drawing, written description or specification represents a proprietary product of TELEX, Lincoln, NE, and shall not be released, disclosed, nor duplicated without the written permission of TELEX.





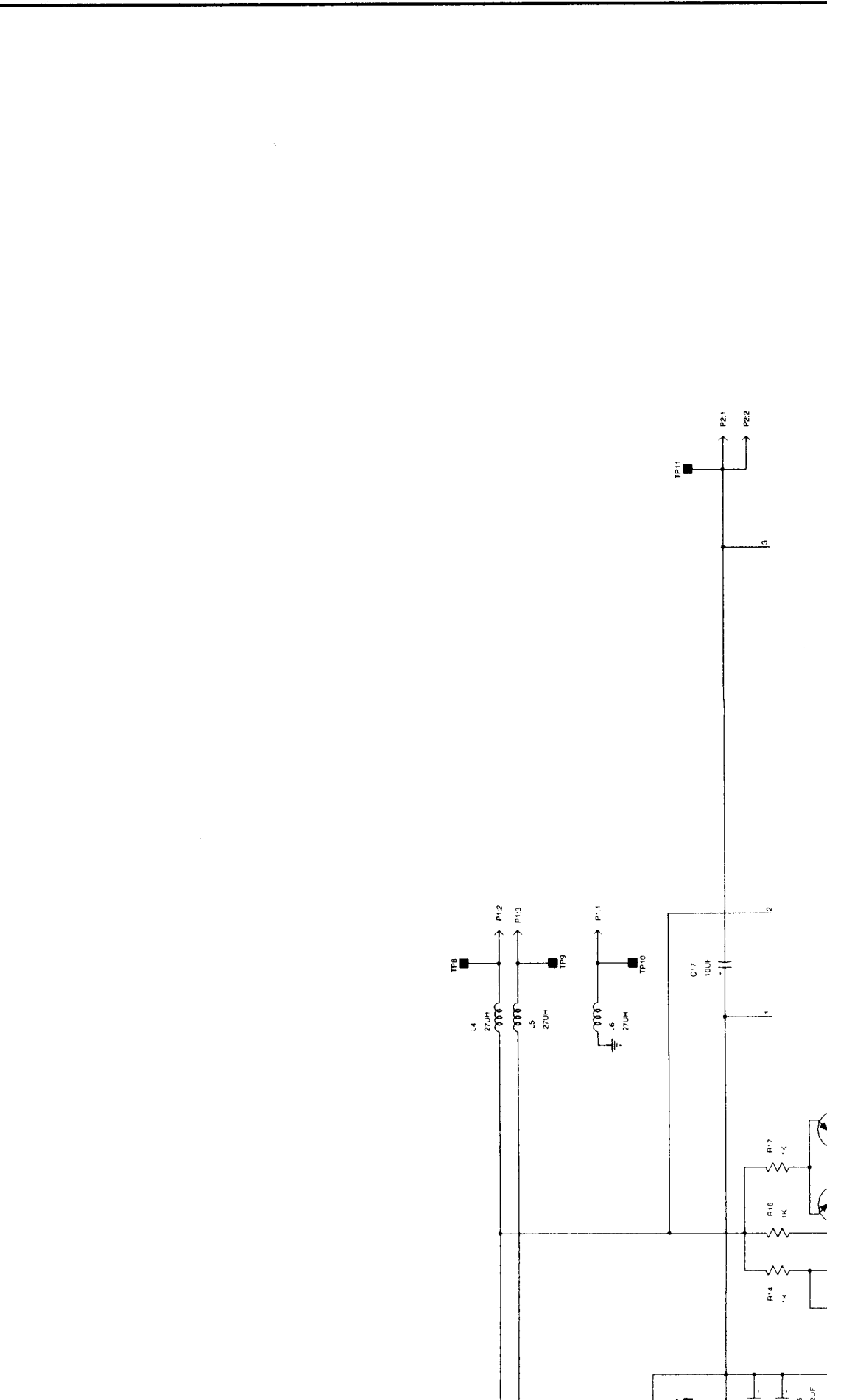
REFERENCE PCB 750491

NOTES:

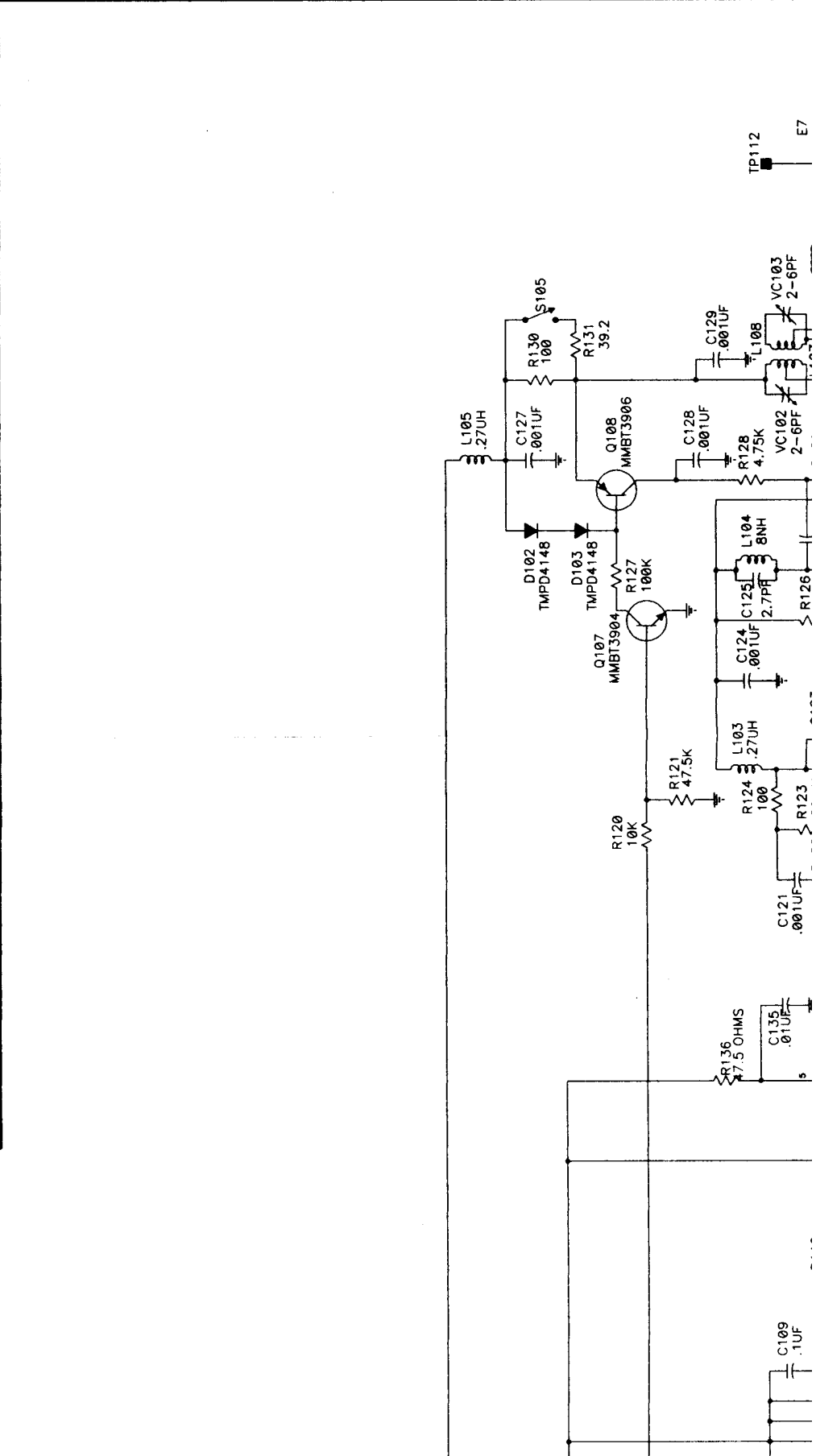


QTY	DESCRIPTION	ITEM	PART NO	DESIGNATOR
	UNSPECIFIED LIMITS OF TOLERANCE	DATE	3/12/99	TELEX. hy-gain
	DECIMAL:	DR BY		TELEF COMMUNICATIONS INC.
	FRACTION:	CHK BY		London, Massachusetts U.S.A.
	.X = .000 IN	APPD.		TITLE
	.XX = .000 IN	PROD		57010
	.XXX = .010 IN	MATERIAL:		SIZE D
	ANGLES 1° : BENDS 2°			CODE IDENT 57010
	STRAIGHTNESS AND/OR			DWG.NO.
	FLATNESS .005 IN/1 IN.			SCALE
	CONCENTRICITY .010 TIR			SHEET 1 OF 2
	UNMARKED ANGLES, BENDS			
	AND INTERSECTIONS 90°			
	THREADS-EXT. CLASS 2A			
	INT. CLASS 2B			
	NEXT ASSY. USED ON			
	APPLICATIONS			

SHEET				REVISIONS				
REV	NO	REV	STATUS	CHG NO	LTR	DESCRIPTION	DATE	APPD
4	3	2	1					



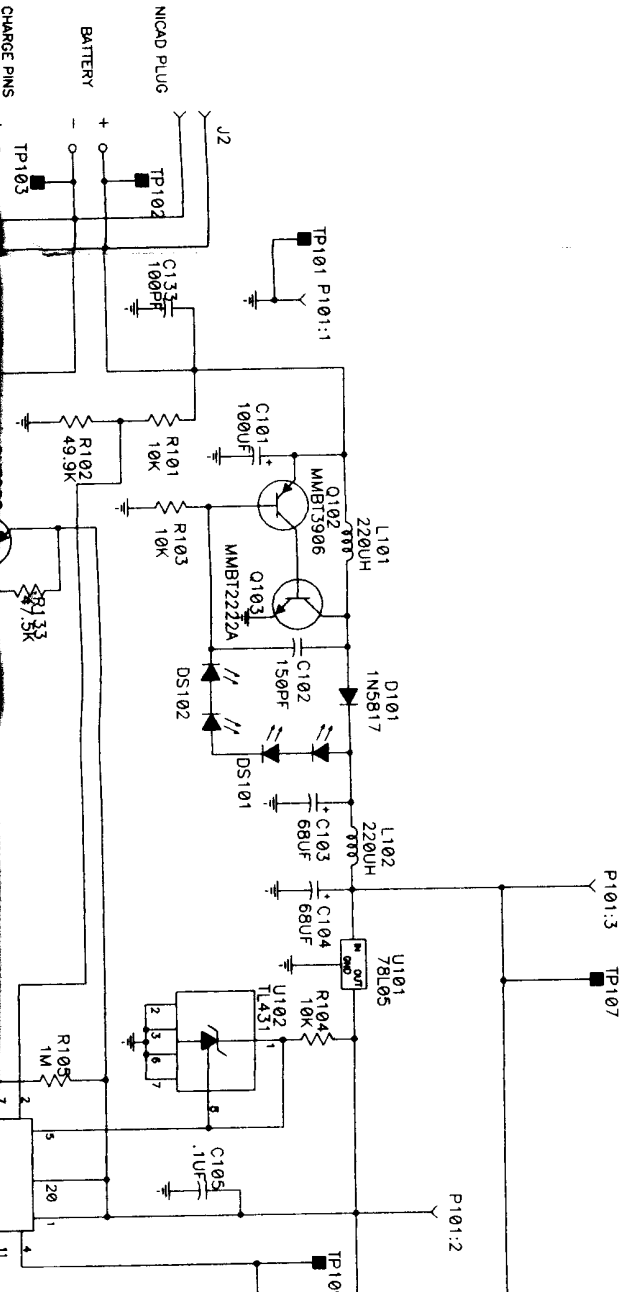
SHEET				REVISIONS			
NO	REV	STATUS	CHG NO	LTR	DESCRIPTION	DATE	APPD
4	1			A	RELEASED	3/13/98	SBC
	2		04-61-98	B	Q103 DESCRIPTION CHANGED TO MMBT2222A	5/06/98	TJY
	3		04-55-98	C	CHANGE R47 FROM 47.5K TO 150K	5/06/98	SBC
	4						



TP112
E7

770516

This drawing, written description or specification represents a proprietary product of TELEX Lincoln, NE., and shall not be released, disclosed, or duplicated without the written permission of TELEX.



REFERENCE PCB 750461

NOTES:

