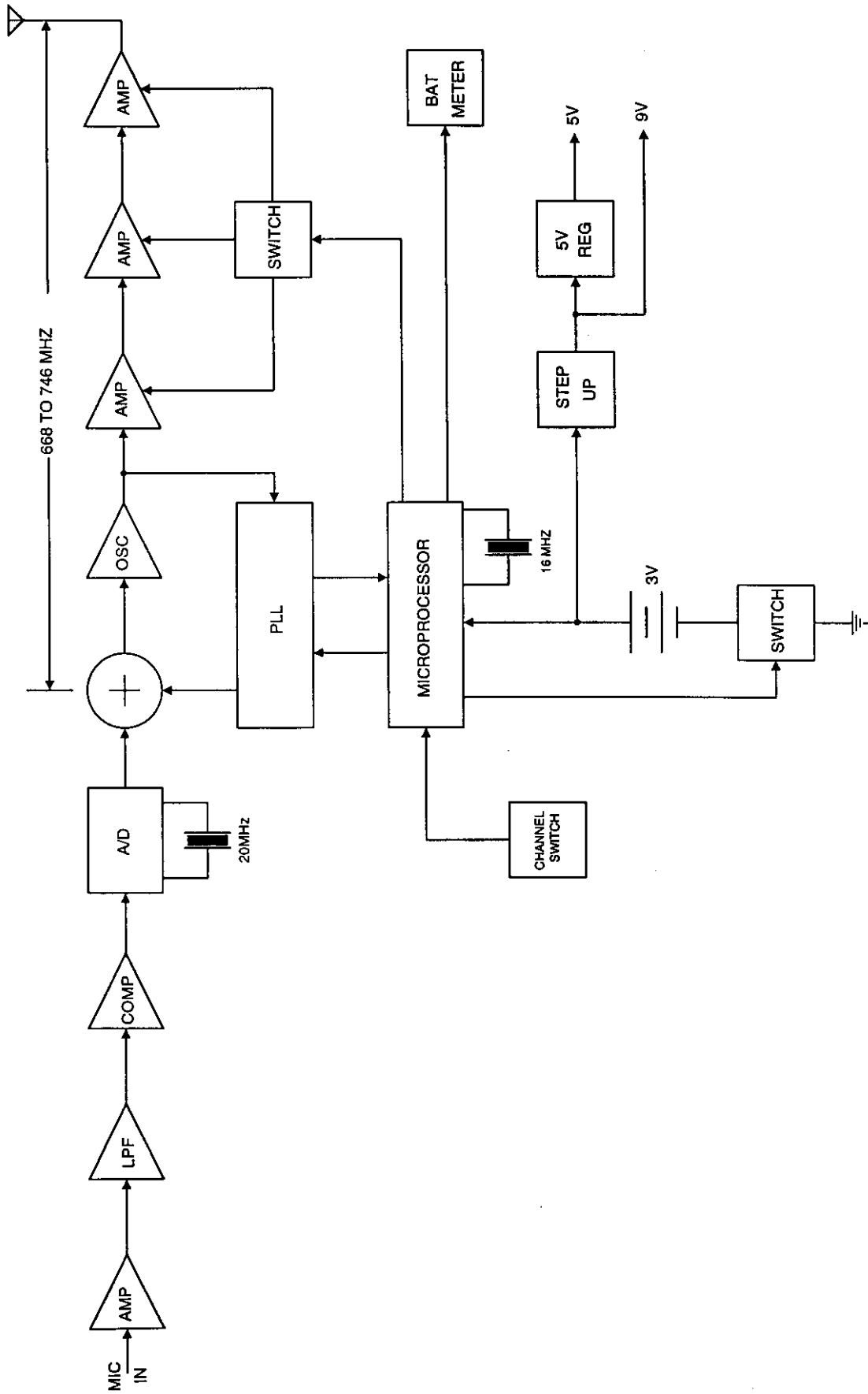


LT-100E BLOCK DIAGRAM



REVISIONS

DESCRIPTION

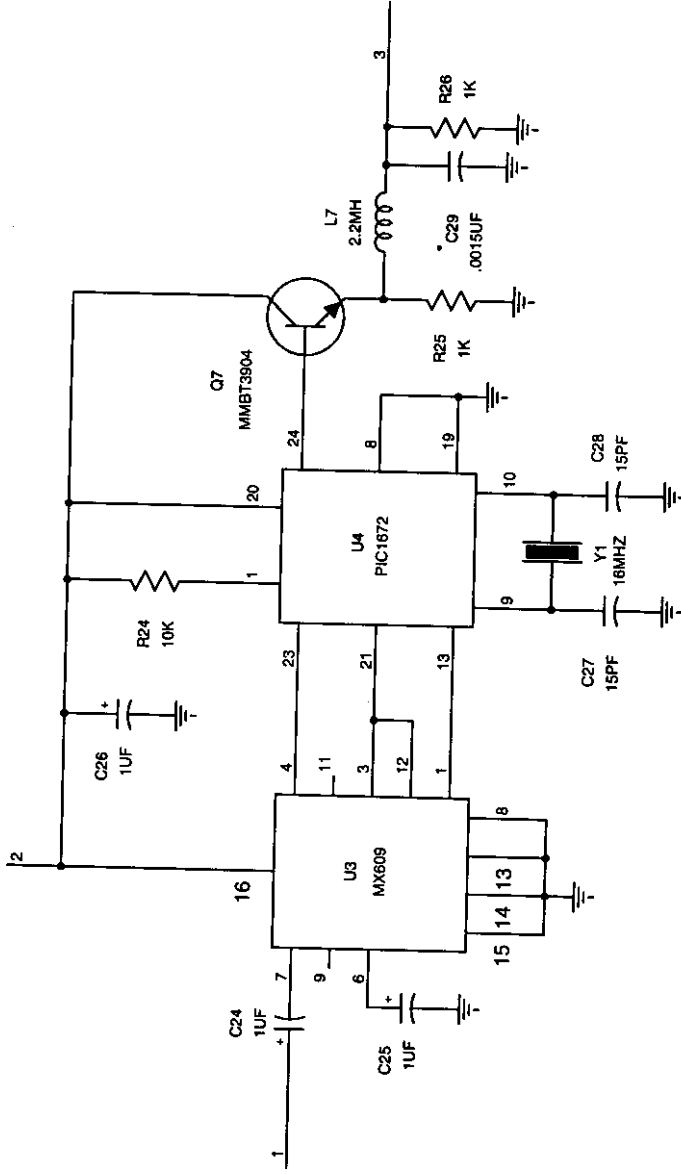
DATE

APPD

CHG.NO.

LTR

This drawing, written description or specification represents a proprietary product of TELEX, Lincoln, NE., and shall not be released, disclosed, nor duplicated without the written permission of TELEX



QTY DESCRIPTION

ITEM PART NO. SPECIFICATION

UNSPECIFIED LIMITS OF TOLERANCE
 DECIMAL:
 .X = .050 IN
 .XX = .030 IN
 .XXX = .010 IN
 ANGLES ± BENDS 2 ± °
 STRAIGHTNESS AND/OR
 FLATNESS .005 IN/1 IN.
 CONCENTRICITY .010 TIR
 UNMARKED ANGLES, BENDS
 AND INTERSECTIONS 90 °
 THREADS- EXT. CLASS 2A
 INT. CLASS 2B

DATE 3/12/99
 DR BY
 CHK BY
 APPD.
 PROD.
 MATERIAL:

TELEX. **hy-gain**
 TELEX COMMUNICATIONS INC.
 Lincoln Nebraska U.S.A.

TITLE
 LT-100E

SIZE CODE IDENT
 A 57010

DWG. NO.
 SCALE: 2 OF 2

APPLICATIONS

USED ON

NEXT ASSY.