

Title		
Size A4	Number	Revision
Date: 27-Jun-2006	Sheet of	
File: C:\JOSEPH\SCHMD40557	By: RGM	

D

D

C

C

B

B

A

A

1

2

3

4

1

2

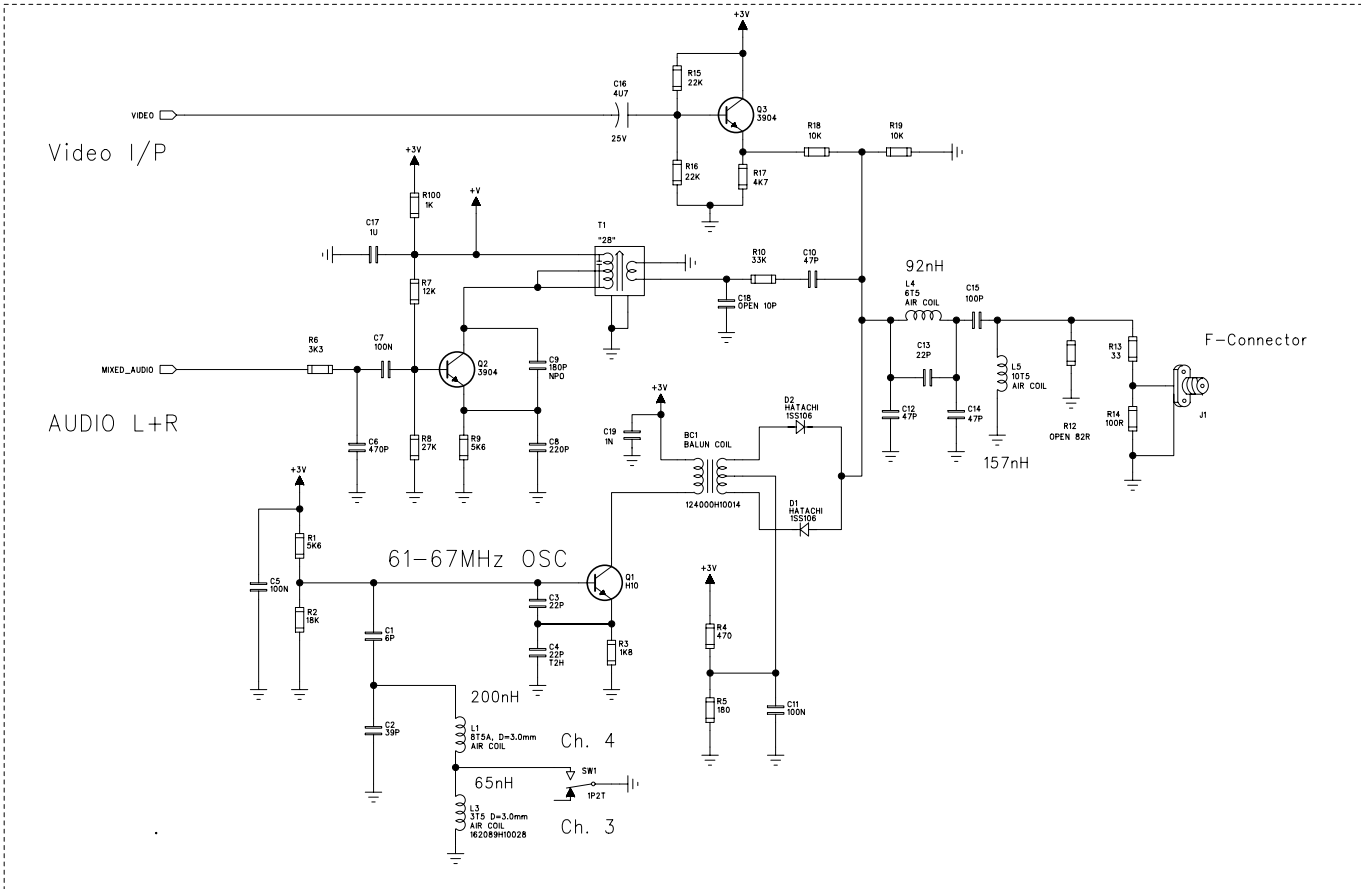
3

4

6 5 4 3 2 1

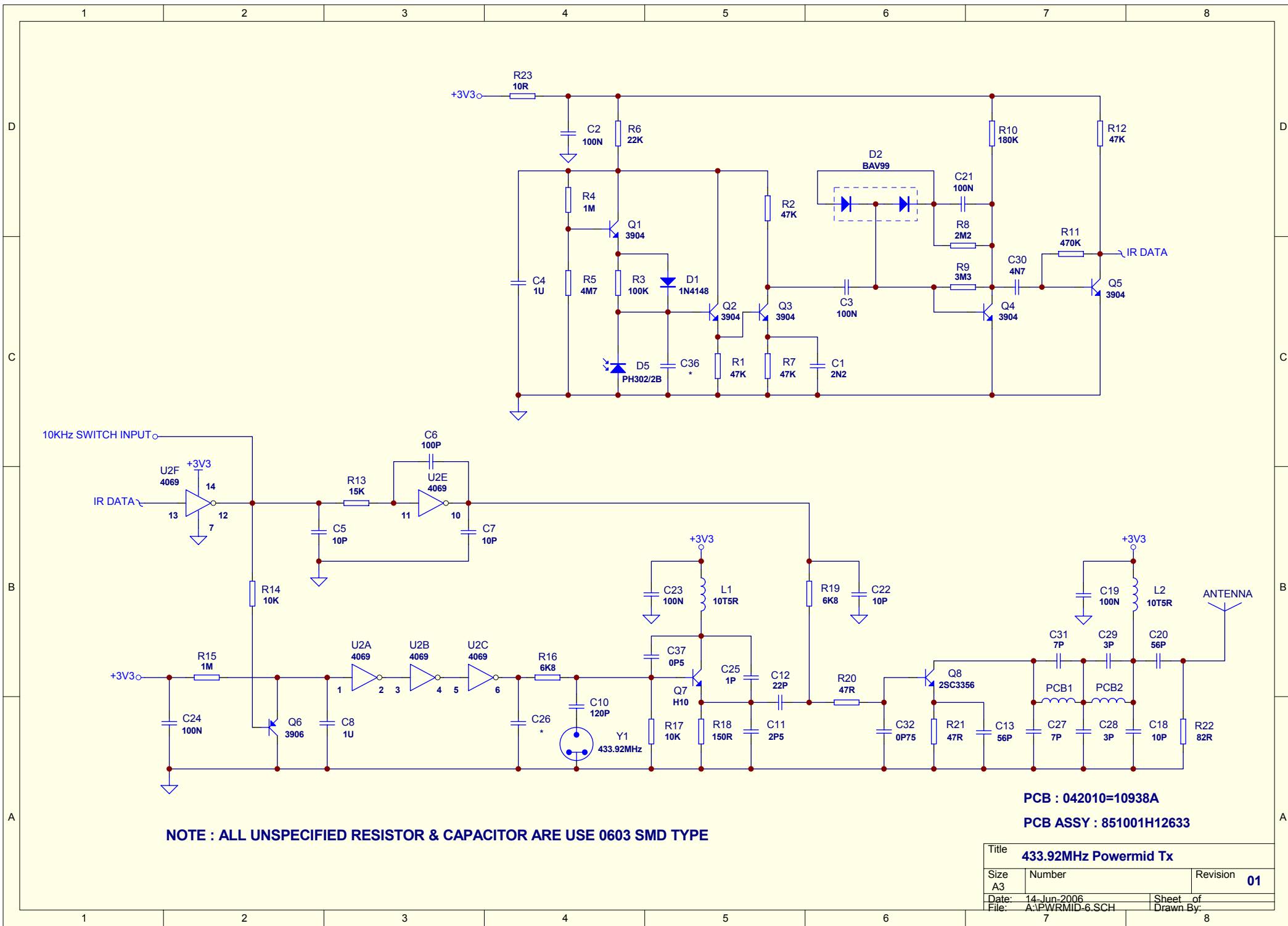
Inductors' Spec. :  
 1) L4  
 dia. of wire = 0.5mm,  
 in dia. of coil = 3.5mm.  
 2) L5  
 dia. of wire = 0.4mm,  
 in dia. of coil = 2.7mm.

PCB RECORD			
VERSION	DETAIL	APPROVED:	DATE:
-B	H1036A	RODRICK	021022



R2, 7, 18	3V	KAM & YAM	20060718
R1, C1-2, L3	FR2	YAM	20021112
C2, 9, 16, 18, 19, R1, 8, 10, 12, 14, 18, 19	Better performance for TVs	KAM & YAM	20021022
R9, 9, 10, 15, 16, 17, 18, C16, 17, L1, 2, 3	SIZE REDUCTION	KAM & RODRICK	20021010
ECN	DETAIL	BY	DATED

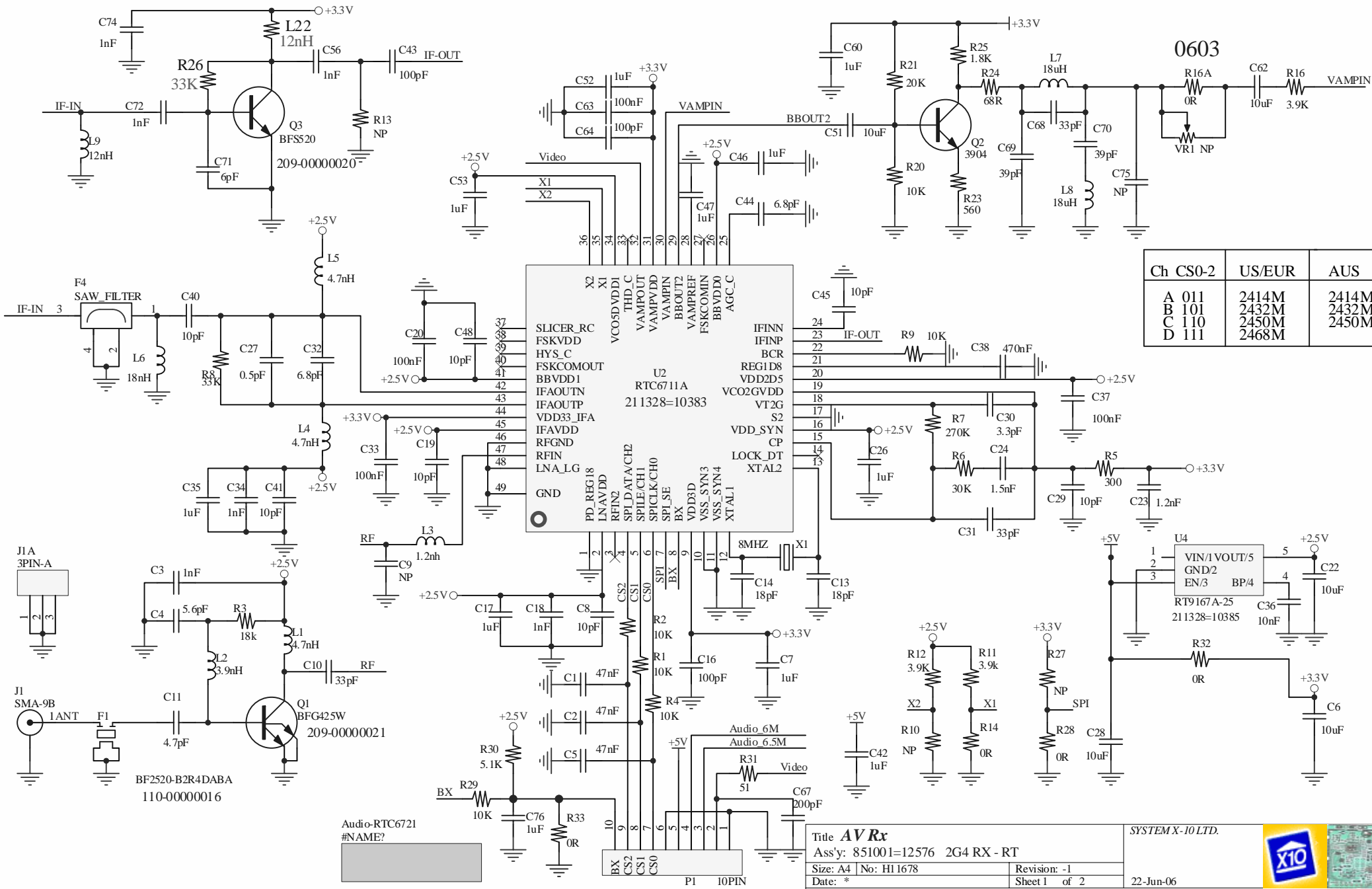
COMPANY: System X-10 Hong Kong Limited			
TITLE: VHF Modulator - 3V (Ch. 3-4)			
ASSEMBLY NO: 851001=12686			
CODE: 90	SIZE: A4	DRAWING NO: SCH.=11036	REV: -1
SCALE: NIS		SHEET: 1 OF 1	



**NOTE : ALL UNSPECIFIED RESISTOR & CAPACITOR ARE USE 0603 SMD TYPE**

**PCB : 042010=10938A**  
**PCB ASSY : 851001H12633**

Title		
<b>433.92MHz Powermid Tx</b>		
Size	Number	Revision
A3		<b>01</b>
Date:	14-Jun-2006	Sheet of
File:	A:\PWRMID-6.SCH	Drawn By:



Title **AVRx**  
 Ass'y: 851001=12576 2G4 RX - RT  
 Size: A4 | No: HI 1678 | Revision: -1  
 Date: \* | Sheet 1 of 2  
 File: D:\7kam\10WORK\2G-4\RW67 series-XT\67Rx\=11678P-1.SCHDOC

SYSTEM X-10 LTD.




22-Jun-06

