

Notes:

1. Material: 50# Mylar (Matte)

Thickness: 0.05±0.005mm

2. Adhesive: Acrylic

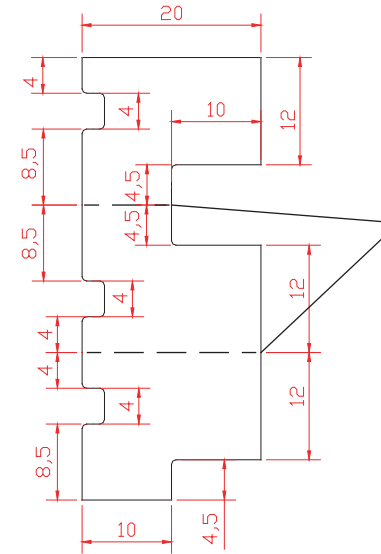
Thickness: 0.024±0.002mm

3. Liner: Grassine

REV.	MARK	ECR/ECN NO.	DATE	UPDATE DESCRIPTION	SIGNATURE
0	N/A	N/A	11/04/27	First Release	Annie Huang
1			11/05/04	modify label size and update label content	Annie Huang
2			11/05/07	update	Annie Huang
3			11/08/03	modify label size and update label layout	Annie Huang
4			11/09/14	modify label size and change label material	Annie Huang
5			11/11/30	modify label size	Annie Huang
6			12/04/06	modify label size and update label content	Annie Huang
7			12/05/03	update FCC ID and IC ID	Annie Huang



Scale: 1:1



齒刀線
(刀不能在邊緣)

所有圓角R=0.5mm

label stick position



MATERIAL (SPEC.)										SCALE		FOXCONN HON HAI PRECISION IND. CO., LTD. CNSBG		
50# mylar(Matte)										SHEET				
FINISH										1/1		PART NAME		
Select										UNIT		PTT label		
Dim.	Tol.	A	B	C	EPS	EPE	BAG	CTN	v	Label	MM	MODEL		
0~6	0.05	0.05	0.10							0.20	A4	T77H298	PART NO.	DESIGNED
6~30	0.10	0.15	0.20	0.50	0.50	3.00				0.20		500.xxxxx.005	500.xxxxx.005	Annie Huang
30~120	0.15	0.20	0.30	0.50	0.50	5.00	2.00	0.25						
120~300	0.20	0.30	0.40	1.00	1.00	10.00	3.00	0.30						
300~450	0.25	0.40	0.50	2.00	2.00	15.00	5.00	0.50						
450~600	0.30	0.50	0.60	3.00	3.00	20.00	5.00	0.80						
DRAFT TOLERANCE										DRAFT TOLERANCE		APPROVED		
± 0.2°										± 0.2°		Sunny wu		
CRITICAL DIM. MARK *										CRITICAL DIM. MARK *				