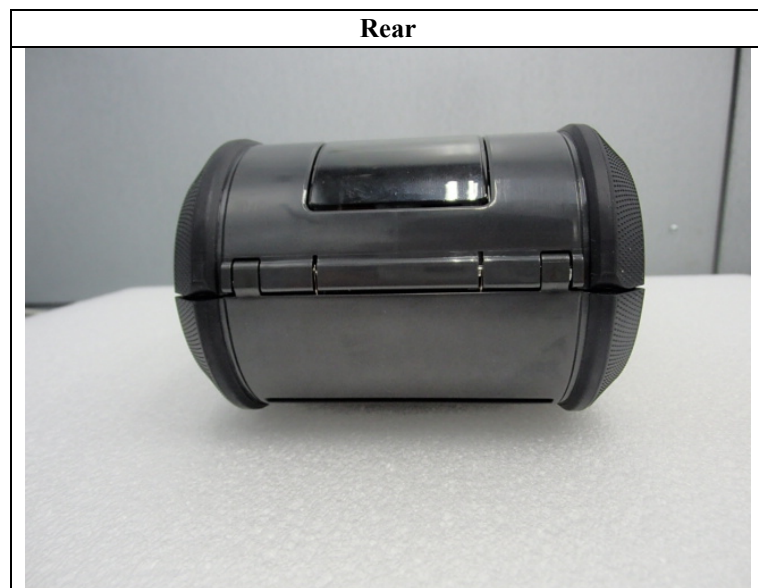
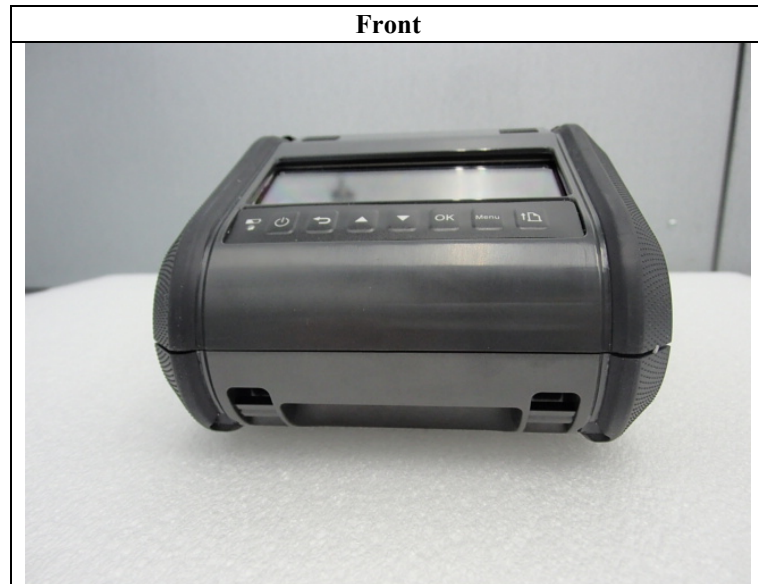


APPENDIX 4: Photographs of test setup

1. Photographs of EUT



Left



Right



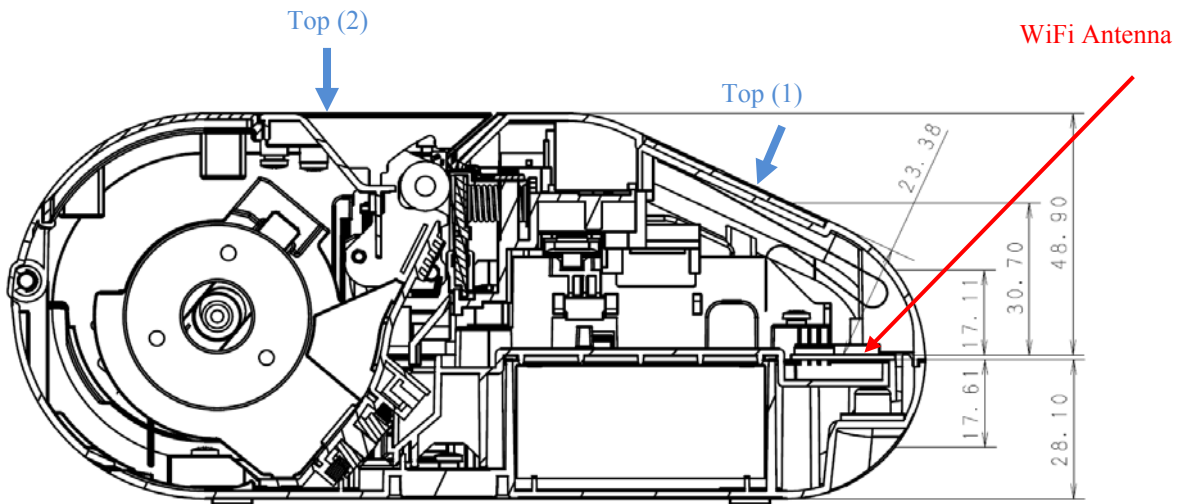
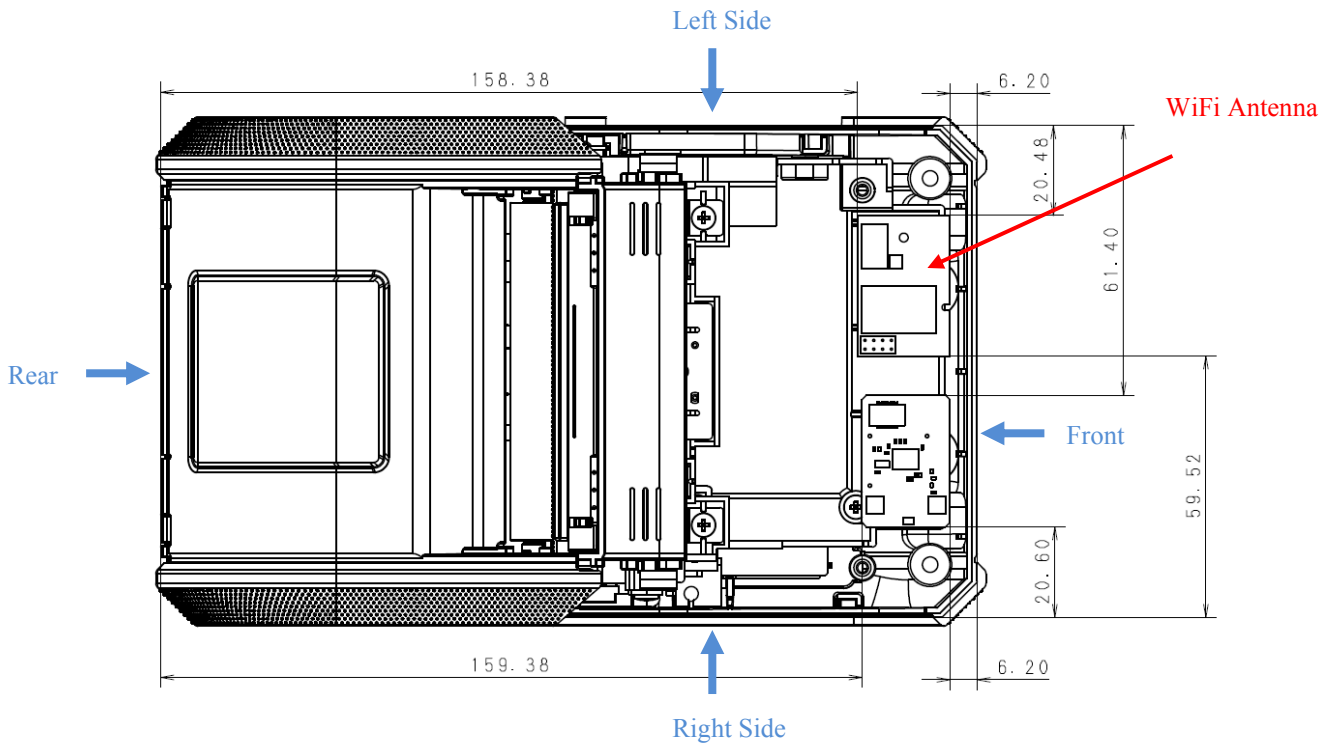
Top



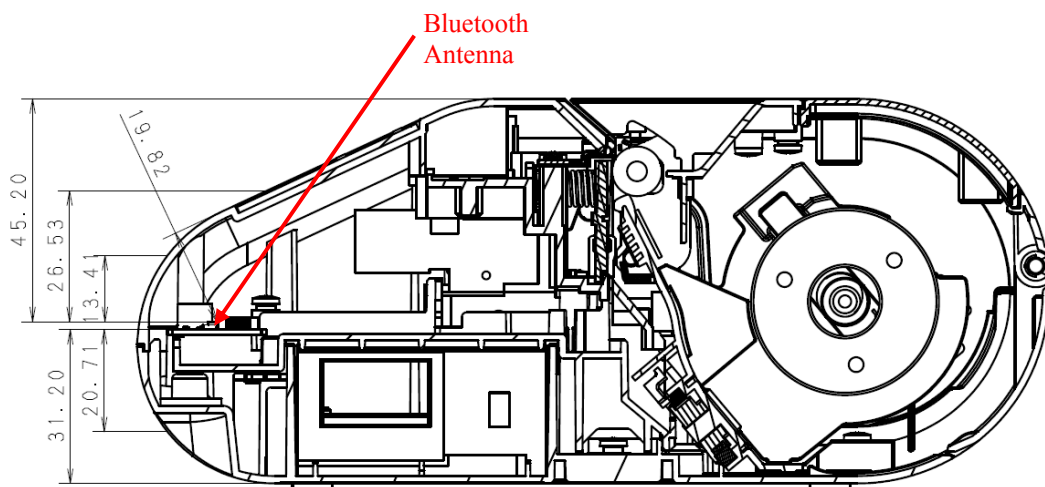
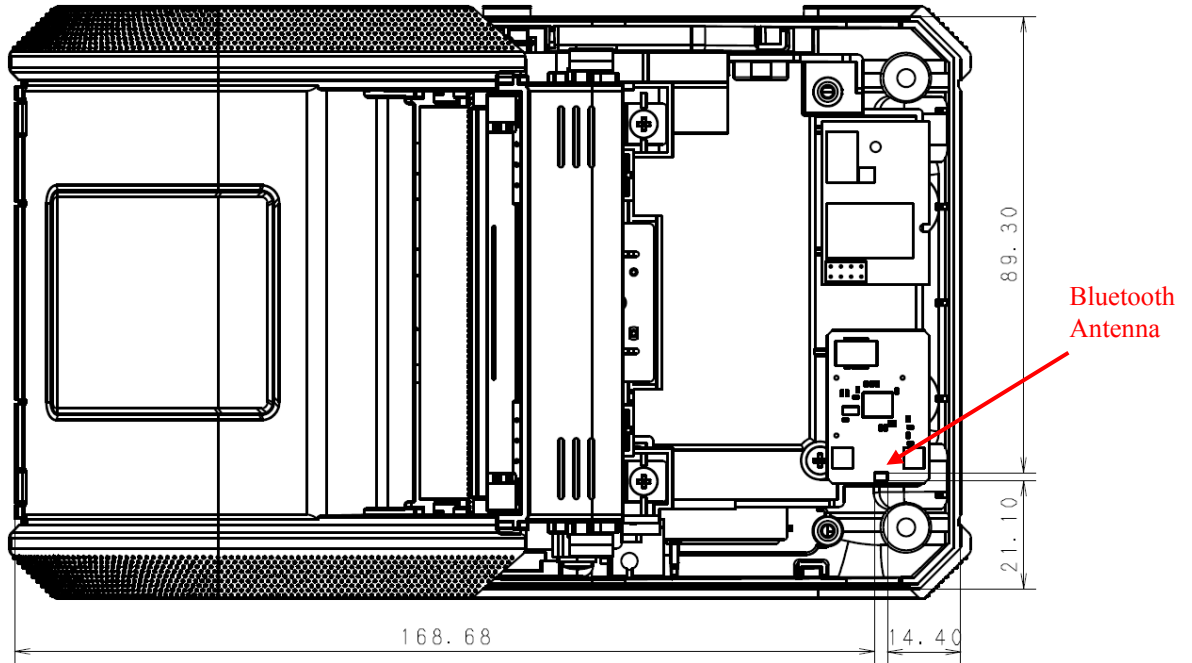
Bottom



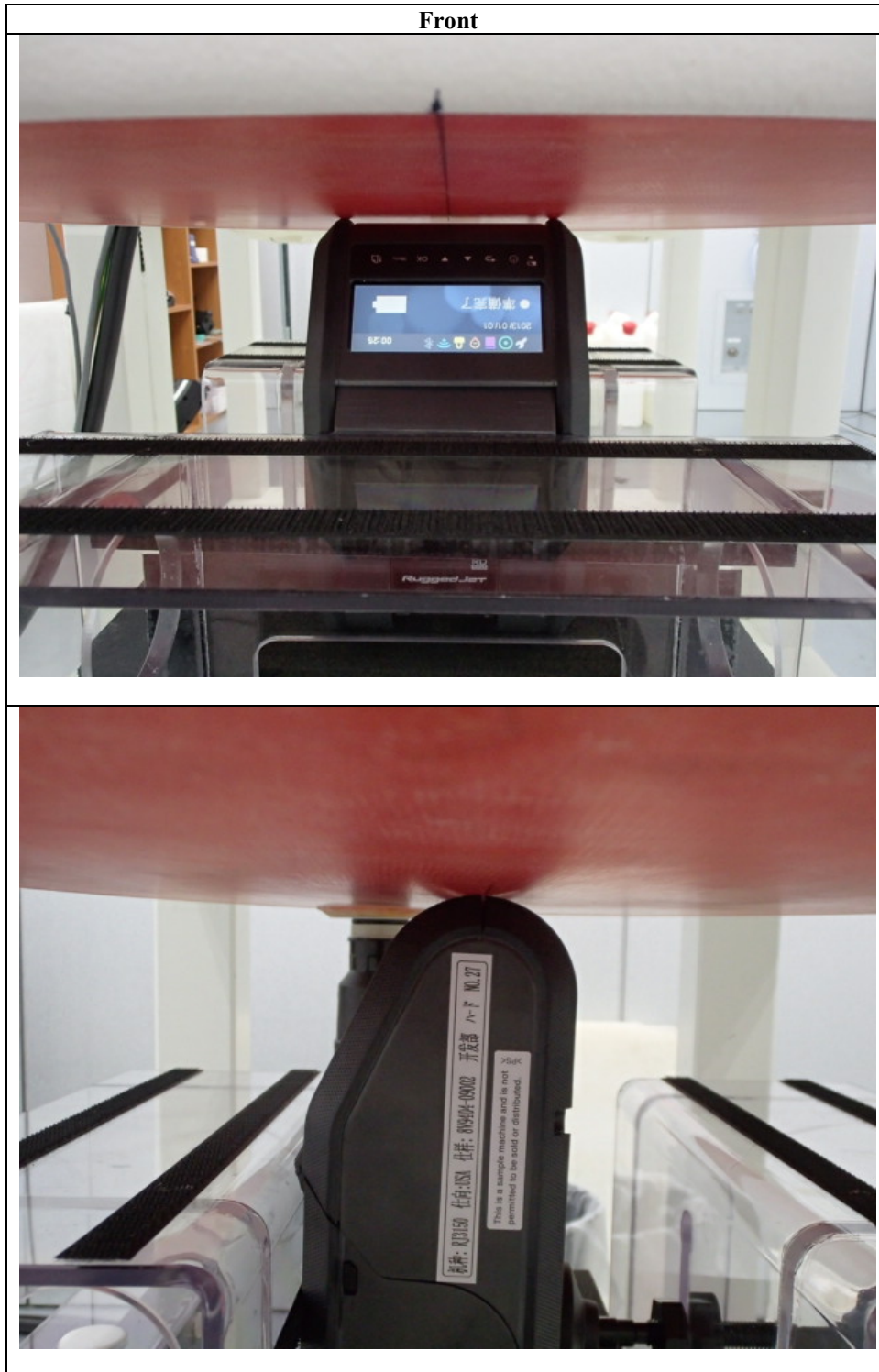
2. Antenna position (WLAN)



3. Antenna position (Bluetooth)



4. Photographs of setup



UL Japan, Inc.

Ise HQ EMC Lab.

4383-326 Asama-cho, Ise-shi, Mie-ken 516-0021 JAPAN

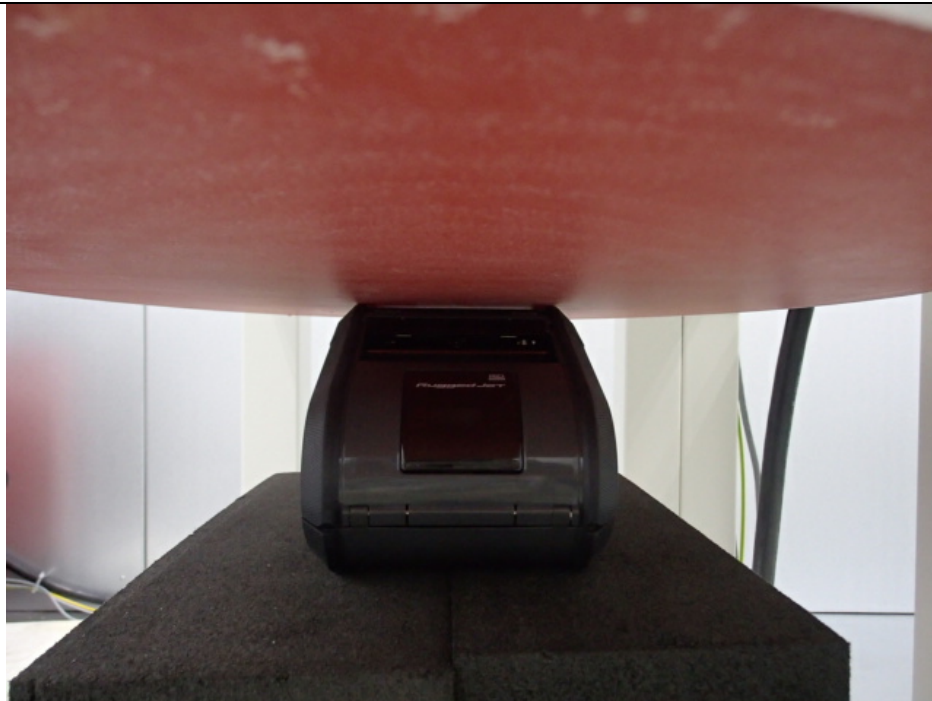
Telephone: +81 596 24 8999

Facsimile: +81 596 24 8124

Left side



Top(1)



End of Report

UL Japan, Inc.

Ise HQ EMC Lab.

4383-326 Asama-cho, Ise-shi, Mie-ken 516-0021 JAPAN

Telephone: +81 596 24 8999

Facsimile: +81 596 24 8124