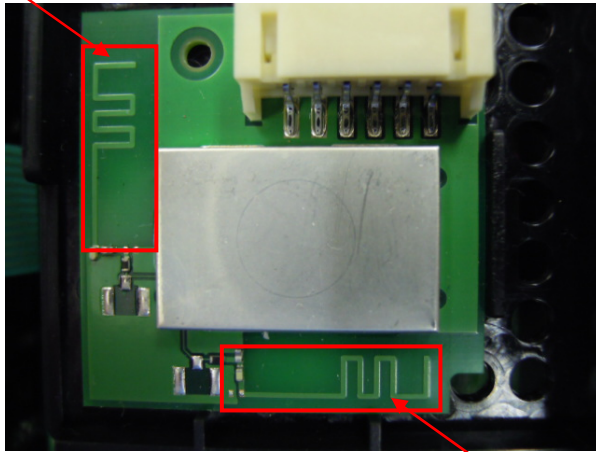


APPENDIX 4: Photographs of test setup

1. Photographs of EUT and Antenna

Ant.1



Ant.0

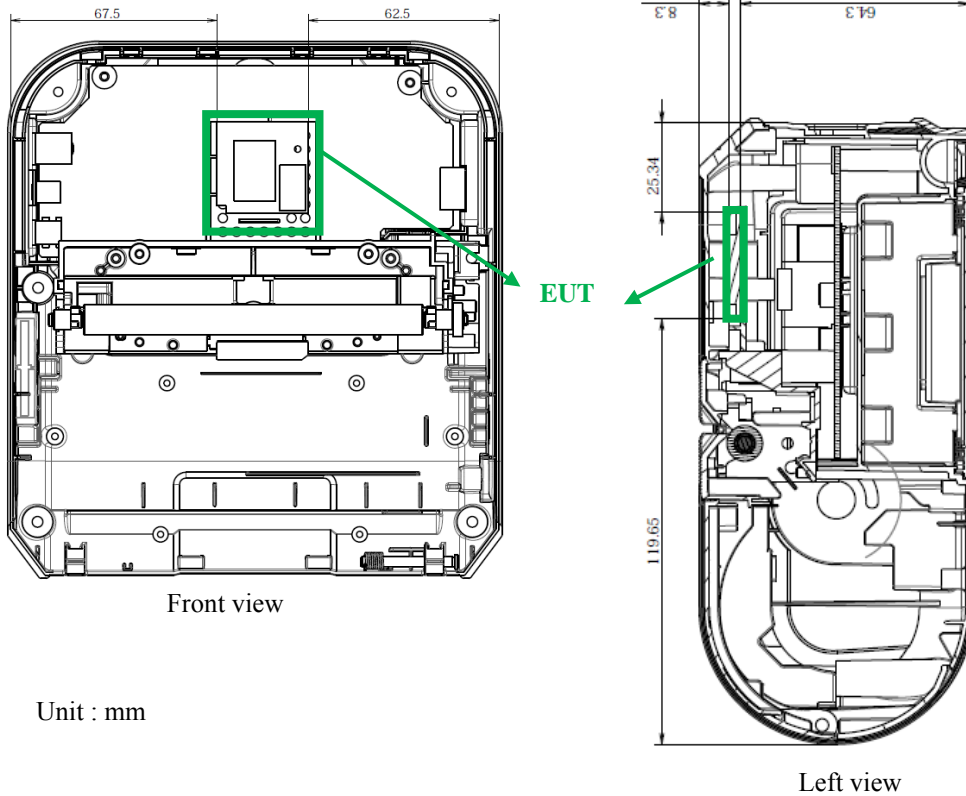
2. Information for tested Host device

The Thermal printer is host device for EUT.

The SAR test was performed in thermal printer of representation.

The details of the tested thermal printer are shown below.

| | | |
|---|---|--|
| Type of Equipment | : | Thermal Printer |
| Model No. | : | RJ-4040 |
| Serial No. | : | U63111-G1G781627 |
| Rating | : | DC14.4V for Rechargeable Battery |
| Battery | : | Rechargeable Battery (Li-ion) (Model No.: PA-BT-4000LI) DC14.4V/ 1800mAh 26Wh |
| Size | : | 162(W)x77(H)x176(D) |
| Accessory | : | Belt clip |
| Manufacture | : | BROTHER INDUSTRIES, LTD. |
| The shortest distance between surface of host device and antenna | : | 8.3mm |



UL Japan, Inc.

Head Office EMC Lab.

4383-326 Asama-cho, Ise-shi, Mie-ken 516-0021 JAPAN

Telephone: +81 596 24 8116

Facsimile: +81 596 24 8124

Top



Right



Front



Left



Bottom



Rear



3. Photographs of setup



Rear



Left



Right



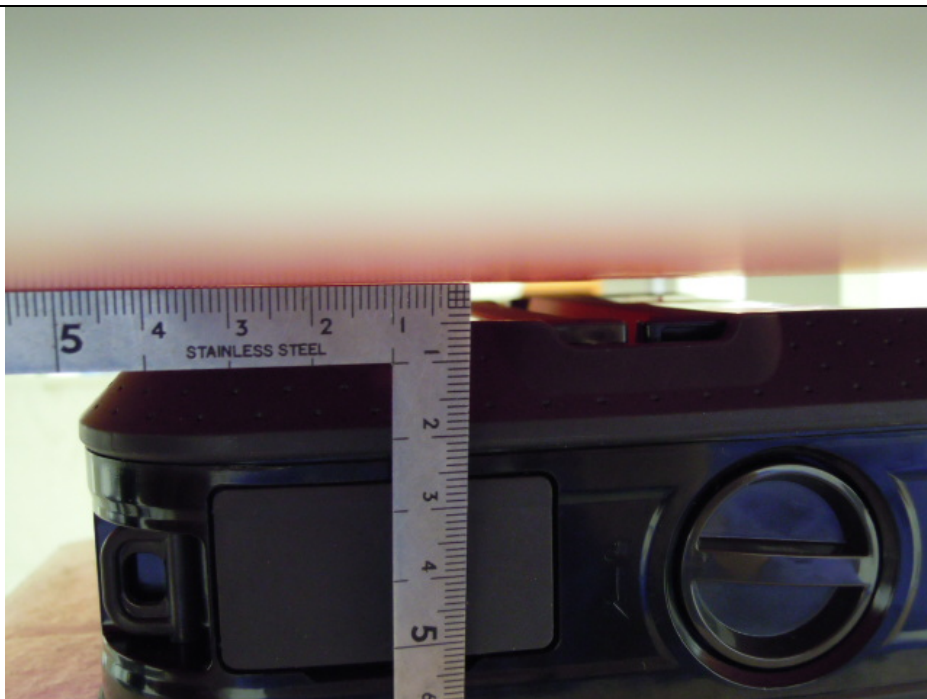
Top



Bottom



Front 5mm



Front 10mm

