

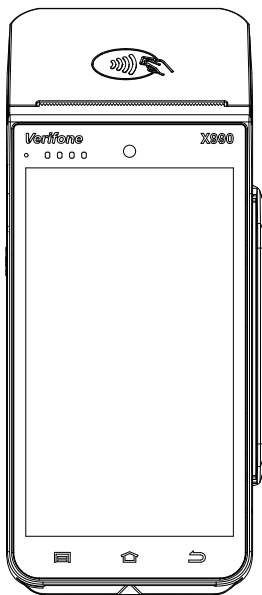


1120080064

Verifone[®]

Product Manual
support@verifone.cn

X990 POS Terminal



Verifone Systems(China)Inc.

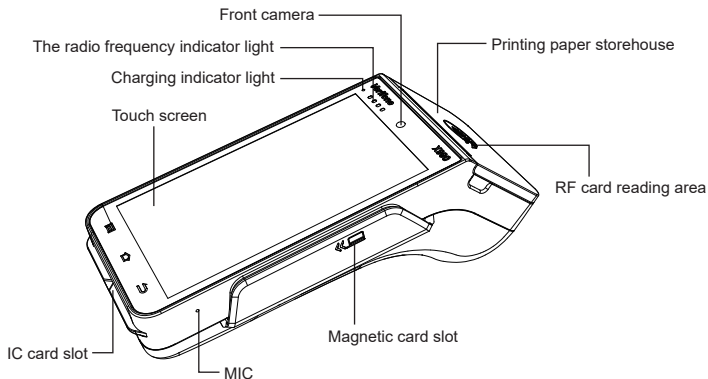
User Instruction

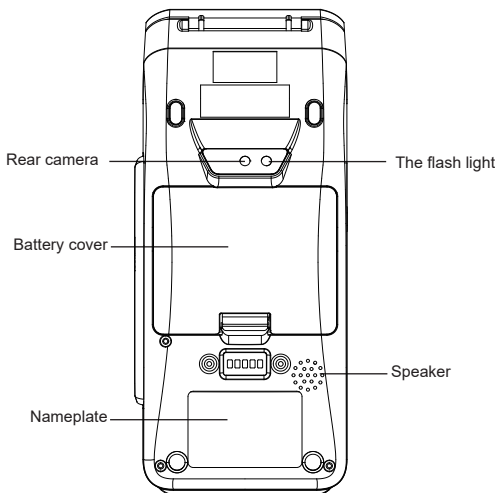
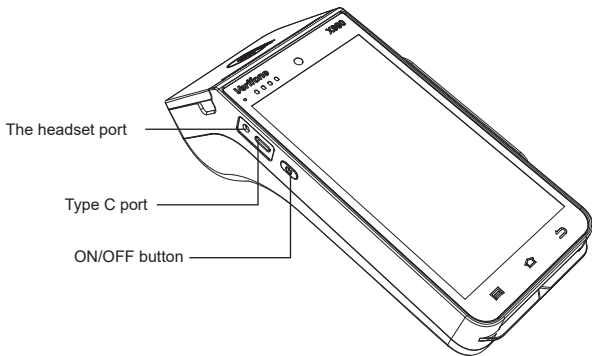
Thank you very much for choosing VERIFONE products, pls read this instruction before use so that you could know the performance deeply. Please keep this instruction for your reference if you have problem during use.

Our company will try best to adopt new technologies, new components, new software to improve products. Hence, we have right to change without notice .The feature, function and operation described in this instruction may be different from the performance of the selling products , in some cases ,image is prototype devices. Pls inquiry our company or agent for appropriate document before using this instruction.

The device should be installed by after sale service person .Our company shall not be liable for any consequences arising from unauthorized changes to the equipment, replacement of the connected equipment and cables not as specified.

1.Basic configuration





2. User instruction

2.1 ON/OFF instruction

POWER ON: press "  " ON/OFF button for 3 seconds

POWER OFF: press "  " ON/OFF button for 3 seconds and then press "power off" on the screen

2.2 Magnetic card

Put the magnetic card into the magnetic card slot to read, magnetic side towards the LCD (refer to the sign for card identification. keep smooth, uniform when swiping the card.

2.3 Contact IC card

Insert IC card into the IC card slot, the metal side towards keypad, please refer to card identification.

2.4 Contactless card

Put the contactless card near the contactless card reader zone on the device , and make contactless card transaction.

Put one contactless card every time to avoid conflict if putting more cards.

2.5 Charging

Connect the Type C cable to POS terminal, connect the other connector to 5V/2A power adaptor to charge.

3. Terminal specification

| Item | Specification |
|-------------------------|---|
| Model Name | X990 |
| CPU | ARM Cortex-A7 quad core CPU |
| Memory | 1G RAM+8G ROM Flash(2G RAM+16G Flash extendable) |
| Operating System | Android 7.x secure payment system |
| Display | 5.5 inch IPS screen, resolution 1280×720 |
| Extended storage | Micro SD card interface, maximum support 32GB |
| Password keypad | Built-in password keypad Conform to ANSI X9.8/ISO9564, ANSI X9.9/ISO8731 standard Support Master Key/Session Key、Fixed、DUKPT etc PIN protection technology Support DES, 3DES, RSA, SHA-256 and AES etc algorithm |
| Touch Screen | Capacitive touch screen, support e-signature |
| IC card reader | 1pc, conform to ISO7816、PBOC3.0 and EMV 4.2 LEVEL 1&2 standard |
| Magnetic card reader | Support ISO7811 1/2/3track , bi-directional reading |
| Contactless card reader | Support ISO/IEC 14443 Type A&B、MiFare card, conform to qPBOC、PAYPASS and PAYWAVE standard |

| | |
|-------------------------|--|
| Rear camera | High pixel customized camera with flash,auto focus(optional) |
| Front camera | Professional camera with 1d/2d barcode fast recognition algorithm(optional) |
| Physical interface | USB TYPE C 3.5mm headset jack SAM/SIM: 2 x SAM, 1 x SIM; or 1 x SAM, 2 x SIM |
| Indicator light | 4 contactless indicator light (according to CUP definition), 1 two-color charging indicator light |
| Buzzer | Built-in buzzer, speaker, microphone |
| Printer | Built-in high-speed thermal printer with print speed greater than 25 lines per second, support paper roll with width of 58mm and diameter of 40mm,support black mark positioning |
| GPS | Built-in GPS, support A-GPS, Glonass, Beidou |
| Battery | Standard configuration 2600mAh/7.2V |
| Communication | 4G,compatible with 3G and 2G,Wi-Fi,Bluetooth |
| Power adaptor | Input: AC 110V~240V/50~60Hz/0.3A Output: DC 5V/2A |
| Optional accessories | 1.The rear camera 2.The base (charge + Ethernet) |
| Environmental condition | Operating temperature: 0℃~45℃ storage temperature: -20℃~70℃ Relative humidity: 5%~90% (Non-condensing) |

4. Instruction for installation and usage

- 4.1 Please use device under the specified voltage range, don't use too low or too high voltage.
- 4.2 Please make sure the connection is correct when connecting the device to the host.
- 4.3 Don't damage the cable, if the cable is damaged, please don't use it anymore.
- 4.4 Don't put the device in direct sunlight, high temperature, humidity ,dusty or strong corrosive gas.
- 4.5 Put away from liquid, don't use the product where the water may wet or enter into it, don't operate the product with wet hand.
- 4.6 It is strictly prohibited to open the device without permission. otherwise the device will not be used,the consequence will be at your own risk.
- 4.7 If the device fails, please contact maintenance person, user is not allowed to maintain the device.
- 4.8 Be sure to use the original battery or specified type of battery, otherwise it may cause the risk of explosion, prohibit the dismantling impact, extrusion, heating, short circuit or put into the fire, the battery is prohibited to use after soaking.
- 4.9 Pls remember to close the battery cover after replacing the battery.
- 4.10 It is strictly prohibited to charge and replace batteries in dangerous places.
- 4.11 Adapter shall be installed near the equipment and shall be easily accessible
- 4.12 Caution: Risk of explosion if battery is replaced by an incorrect type.
Dispose of used batteries according to the instructions.

- 4.13 Hereby, [Verifone Systems (China) Inc.] declares that the radio equipment type [X990] is in compliance with Directive 2014/53/EU.
The full text of the EU declaration of conformity is available at the following internet address: <http://www.verifone.cn>
- 4.14 Please use Verifone verified power adaptor for battery charging; the temperature range under battery charging mode is 0°C to 40°C, the operating temperature range is 0°C to 45°C. Do not operate and use the device outside the above temperature range, otherwise it may cause the risk of explosion.

5.Password anti-peep instruction

- Using body or hand to block when entering the password to prevent it from peeping.
- The monitor range should be as far as possible to avoid the placement of the device when installing the surveillance camera, so as to avoid the cardholder's password leakage.
- Clients and merchants need to conduct routine inspection to ensure that the equipment has not been changed and there are no suspicious objects in the IC card slot.

6.Packing list

| Serial No. | Name | Qty |
|------------|--------------------------------|-----|
| 1 | X990 | 1 |
| 2 | Type C cable | 1 |
| 3 | Product Manual | 1 |
| 4 | Printing paper | 1 |
| 5 | Power adaptor | 1 |
| 6 | Battery | 1 |
| 7 | X990 Declaration of Conformity | 1 |

Verifone Systems(China)Inc.reserves the right to change product technical specification without prior notice.



Verifone Systems (China) Inc.
24 hours service telephone:13910835232
Fax:010-85869838
Service support E-mail:support_bjs@Verifone.com
Web site:www.verifone.com
Address:Room 301, ZhuoMing Plaza, No. 1069, South Huihe Street, Chaoyang District, Beijing, China
Contact in USA:
Verifone, Inc.
Address: 2560 N. 1st Street, Suite 220, San Jose, CA 95131, USA
Tel: +1 (408) 232-7800

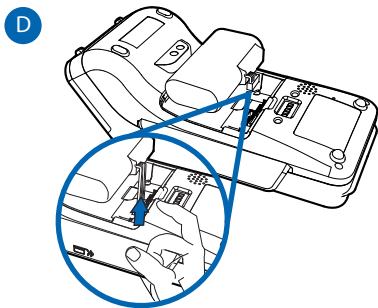
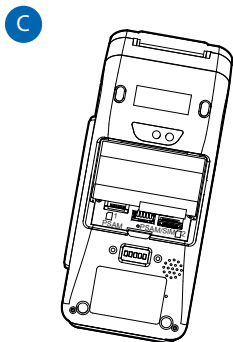
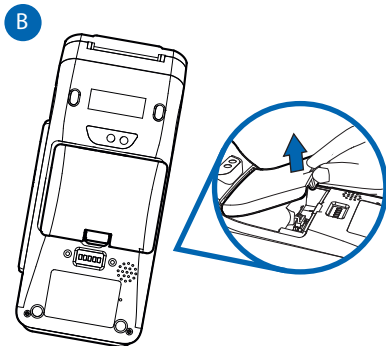
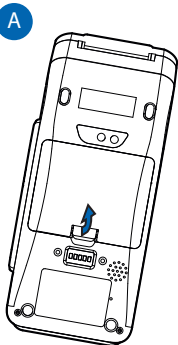
The device for operation in the band 5150–5250 MHz is only for indoor use to reduce the potential for harmful interference to co-channel mobile satellite systems
l'appareil de fonctionnement dans la bande 5150-5250 MHz est uniquement destiné à une utilisation intérieure afin de réduire le risque d'interférences nocives pour co-canaliser les systèmes satellitaires mobiles

This product supports Receiver Category 2.

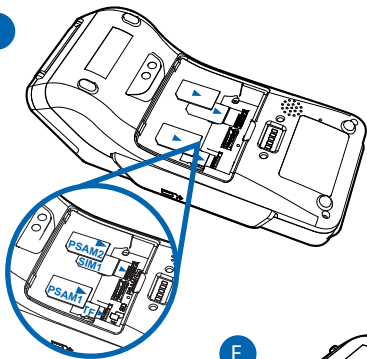
The device is restricted to indoor use only when operating in the 5150 to 5350 MHz frequency range.



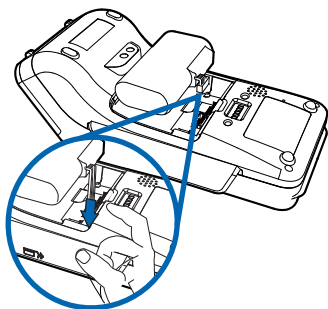
| | | | | | | |
|----|----|----|----|----|----|----|
| AT | BE | BG | HR | CY | CZ | DK |
| EE | FI | FR | DE | EL | HU | IE |
| IT | LV | LT | LU | MT | NL | PL |
| PT | RO | SK | SI | ES | SE | UK |



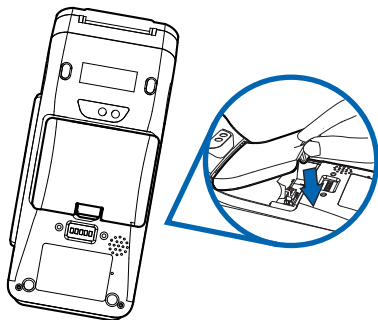
E



F



G



FCC Regulations:

This device complies with part 15 of the FCC Rules. Operation is subject to the following two conditions: (1) This device may not cause harmful interference, and (2) this device must accept any interference received, including interference that may cause undesired operation.

This device has been tested and found to comply with the limits for a Class B digital device, pursuant to Part 15 of the FCC Rules. These limits are designed to provide reasonable protection against harmful interference in a residential installation. This equipment generates, uses and can radiate radio frequency energy and, if not installed and used in accordance with the instructions, may cause harmful interference to radio communications. However, there is no guarantee that interference will not occur in a particular installation. If this equipment does cause harmful interference to radio or television reception, which can be determined by turning the equipment off and on, the user is encouraged to try to correct the interference by one or more of the following measures:

-Reorient or relocate the receiving antenna.

-Increase the separation between the equipment and receiver.

-Connect the equipment into an outlet on a circuit different from that to which the receiver is connected.

-Consult the dealer or an experienced radio/TV technician for help.

Caution: Changes or modifications not expressly approved by the party responsible for compliance could void the user's authority to operate the equipment.

FCC RF Exposure Information (SAR)

This device is designed and manufactured not to exceed the emission limits for exposure to radio frequency (RF) energy set by the Federal Communications Commission of the United States.

During SAR testing, this device is set to transmit at its highest certified power level in all tested frequency bands, and placed in positions that simulate RF exposure in usage near the body. Although the SAR is determined at the highest certified power level, the actual SAR level of the while operating can be well below the maximum value. This is because the device is designed to operate at multiple power levels so as to use only the power required to reach the network. In general, the closer you are to a wireless base station antenna, the lower the power output.

The exposure standard for wireless employs a unit of measurement known as the Specific Absorption Rate, or SAR. The SAR limit set by the FCC is 1.6W/kg.

The FCC has granted an Equipment Authorization for this model device with all reported SAR levels evaluated as in compliance with the FCC RF exposure guidelines. SAR information on this model device is on file with the FCC and can be found under the Display Grant section of www.fcc.gov/oet/ea/fccid after searching on FCC ID: B32X990

For this device, the highest reported SAR value for usage near the body is 1.15 W/kg.

While there may be differences between the SAR levels of various devices and at various positions, they all meet the government requirement.

ISED Notice

This device complies with Innovation, Science and Economic Development Canada license-exempt RSS standard(s). Operation is subject to the following two conditions:

(1) this device may not cause interference, and

(2) this device must accept any interference, including interference that may cause undesired operation of the device.

Le présent appareil est conforme aux CNR Innovation, Sciences et Développement économique Canada applicables aux appareils radio exempts de licence. L'exploitation est autorisée aux deux conditions suivantes:

(1) l'appareil ne doit pas produire de brouillage, et

(2) l'utilisateur de l'appareil doit accepter tout brouillage radioélectrique subi, même si le brouillage est susceptible d'en

This device complies with the Canadian ICES-003 Class B specifications. CAN ICES-3(B)/ NMB-3(B)

IC: 787C-X990

ISED Radiation Exposure Statement

This EUT is in compliance with SAR for general population/uncontrolled exposure limits in ISED RSS-102 and had been tested in accordance with the measurement methods and procedures specified in IEEE 1528 and IEC 62209. This device and its antenna(s) must not be co-located or operating in conjunction with any other antenna or transmitter.

Cet appareil est conforme aux limites d'exposition DAS incontrôlée pour la population générale de la norme CNR-102 science de l'innovation et le développement économique Canada et a été testé en conformité avec les méthodes de mesure et procédures spécifiées dans IEEE 1528 et IEC 62209. Cet appareil et sa ou ses antennes ne doivent pas être co-localisés ou fonctionner en conjonction avec tout autre antenne ou transmetteur.