

V660p-2

*Installation Guide*



DRAFT

V660p-2 Installation Guide  
© 2023 Verifone, Inc.

All rights reserved. No part of the contents of this document may be reproduced or transmitted in any form without the written permission of Verifone, Inc.

The information contained in this document is subject to change without notice. Although Verifone has attempted to ensure the accuracy of the contents of this document, this document may include errors or omissions. The examples and sample programs are for illustration only and may not be suited for your purpose. You should verify the applicability of any example or sample program before placing the software into productive use. This document, including without limitation the examples and software programs, is supplied "As-Is."

Verifone and the Verifone logo are registered trademarks of Verifone. Other brand names or trademarks associated with Verifone's products and services are trademarks of Verifone, Inc.

All other brand names and trademarks appearing in this manual are the property of their respective holders.

**Product Warranty:**

For product warranty information, go to <http://www.verifone.com/terms>.

**Comments?** Please e-mail all comments on this document to your local Verifone Support Team.

DRAFT

Verifone, Inc.  
1-800-Verifone

[www.verifone.com](http://www.verifone.com)



**CONTENTS**

**PREFACE** . . . . . 5

Audience . . . . . 5

Organization . . . . . 5

Related Documentation . . . . . 5

Conventions and Acronyms . . . . . 6

**CHAPTER 1**  
**Device Overview**

Features and Benefits . . . . . 10

    Ease of Use . . . . . 10

    Performance and Durability . . . . . 10

    Security . . . . . 10

    Contactless Capability . . . . . 11

    Communication Technology . . . . . 11

    Connectivity . . . . . 11

**CHAPTER 2**  
**Device Setup**

Device Location . . . . . 12

    Environmental Factors . . . . . 12

    Personal Security Considerations . . . . . 13

    Electrical Considerations . . . . . 13

Inside the Shipping Carton . . . . . 13

Device Features . . . . . 14

    Front Panel . . . . . 14

SAM Card . . . . . 15

    Installing or Replacing SAM Card . . . . . 15

Examining Connection Port . . . . . 18

Using the Battery . . . . . 18

    Battery Features . . . . . 18

    Manual Startup . . . . . 18

    Manual Shutdown . . . . . 19

Connecting the Terminal Power Pack . . . . . 19

Loading a Paper Roll in Device . . . . . 20

Charging the Battery . . . . . 21

    Battery Life . . . . . 21

Using the Smart Card Reader . . . . . 22

Using the Magnetic Card Reader . . . . . 22

CTLS Transaction . . . . . 23

Wi-Fi/BT Support . . . . . 23

    Bluetooth Support . . . . . 23

    Wireless Transaction . . . . . 23

**CHAPTER 3**  
**Specifications**

Unit Power Requirement . . . . . 25

Temperature . . . . . 25

Memory . . . . . 25

Magnetic Card Reader . . . . . 25

	Smart Card Reader . . . . .	25
	SAM Card Reader . . . . .	25
	Integrated Contactless Reader . . . . .	25
	Display . . . . .	26
	External Dimensions . . . . .	26
	Audio Jack . . . . .	26
	Security . . . . .	26
	Communication . . . . .	26
	GPS . . . . .	26
	Camera . . . . .	26
	Printer . . . . .	26
	Temperature . . . . .	26
	Humidity . . . . .	26
<b>CHAPTER 4</b>		
<b>Maintenance and Cleaning</b>	General Care . . . . .	27
	Additional Safety Information . . . . .	28
	Surface Cleaning . . . . .	28
	Smart Card Reader Cleaning . . . . .	28
	Magnetic Stripe Cleaning . . . . .	29
<b>CHAPTER 5</b>		
<b>Verifone Service and Support</b>	Service Returns . . . . .	30
	Optional Accessories . . . . .	31
	Accessories and Documentation . . . . .	31
	Accessories . . . . .	31
	Documentation . . . . .	31
	. . . . .	31
	. . . . .	31
<b>CHAPTER 6</b>		
<b>Troubleshooting Guidelines</b>	Device Does Not Start . . . . .	32
	Device Display Does Not Show Correct/Readable Info . . . . .	32
	Blank Display . . . . .	33
	Transactions Fail to Process . . . . .	33



This guide is your primary source of information for setting up V660p-2.

## **Audience**

This guide is useful for anyone installing the V660p-2.

## **Organization**

This guide is organized as follows:

[Chapter 1, Device Overview](#). Provides an overview of the V660p-2 device.

[Chapter 2, Device Setup](#). Explains how to set up the V660p-2 device. It tells you how to select a location and establish power connection.

[Chapter 3, Specifications](#). Discusses power requirements and dimensions of the V660p-2.

[Chapter 4, Maintenance and Cleaning](#). Explains how to maintain your V660p-2.

[Chapter 5, Verifone Service and Support](#). Provides information on how to contact your local Verifone representative or service provider, and information on how to order accessories or documentation from Verifone.

[Chapter 6, Troubleshooting Guidelines](#). Provides troubleshooting guidelines, should you encounter a problem in device installation.

## **Related Documentation**

To learn more about the V660p-2, refer to the following set of documents:

<i>660 Certifications and Regulations</i>	VPN-DOC571-001-EN
<i>V660p Quick Installation Guide</i>	VPN-DOC571-002-EN
<i>V660p Installation Guide</i>	VPN-DOC571-003-EN




## Conventions and Acronyms

This section describes the conventions and acronyms used in this guide.

Various conventions are used to help you quickly identify special formatting.

Table 1 describes these conventions and provides examples of their use.

**Table 1 Document Conventions**

Convention	Meaning	Example
Blue	Text in blue indicates terms that are cross referenced.	See <a href="#">Conventions and Acronyms</a> .
<i>Italics</i>	Italic typeface indicates book titles or emphasis.	You <i>must</i> install a roll of thermal-sensitive paper in the printer.
Courier	The courier type face is used while specifying onscreen text, such as text that you would enter at a command prompt, or to provide an URL.	<code>http://www.verifone.com</code>
	The pencil icon is used to highlight important information.	RS-232-type devices do not work with the PIN pad port.
	The caution symbol indicates possible hardware or software failure, or loss of data.	The device is not waterproof or dustproof and is intended for indoor use only.
	The lightning symbol is used as a warning when bodily injury might occur.	Due to risk of shock do not use the device near water.

Various acronyms are used in place of the full definition. Table 2 presents acronyms and their definitions.

**Table 2 Acronym Definitions**

Acronym	Definitions
ARM	Acorn RISC Machine
EMV	Europay MasterCard and VISA
LCD	Liquid Crystal Display
NFC	Near Field Communication
MRA	Merchandise Return Authorization
PCI	Payment Card Industry
PSAM	Purchase Security Application Module
PIN	Personal Identification Number
PSCR	Primary Smart Card Reader
SRED	Secure Reading and Exchange of Data
RAM	Random Access Memory
MSR	Magnetic Stripe Card Reader

**Table 2 Acronym Definitions**

Acronym	Definitions
MSAM	Multiple Secure Access Module
SAM	Secure Access Module
CTLS	Contactless
DC	Direct Current
ISO	International Organization for Standardization
ECR	Electronic Cash Register
AC	Alternating Current
QR	Quick Response
ROM	Read Only Memory
AES	Advanced Encryption Standard Algorithm
DUKPT	Derived Unique Key Per Transaction Method as defined in the VISA's POS Equipment Requirement: PIN processing and Data Authentication, International Version 1.0, August 1988
RF	Radio Frequency
RS-232	Serial Communication Protocol
POS	Point-of-Sale
USB	Universal Serial Bus
LAN	Local Area Network
IPS	Inches Per Second
VPN	Verifone Part Number



## Device Overview

This chapter provides a brief description of the V660p-2.

The Verifone V660p-2 NEO device is a new generation handheld Android device with exceptional capabilities. The best-in-class consumer-facing device is offered with cellular/Wi-Fi/Bluetooth to provide mobile payment capabilities to merchants supporting 4G LTE and dual-band Wi-Fi network connectivity options, Bluetooth 4.2 for IoT, and meets PCI 6.X SRED requirements for maximum security. The powerful V660p-2 device has the capability of ECR integration and connectivity to peripherals such as Biometrics and Barcode scanners.

In combination with Verifone Connect digital services, it allows card payment acceptance, barcode scanning, image capture, receipt printing, and access to various Verifone cloud-based services, enabling the customers with a wide array of solutions. It also enables clients to remotely monitor and update their devices using Verifone's estate management solution.

The highly sophisticated V660p-2 device has a provision for all payment methods - magnetic stripe, EMV, and NFC/Contactless Reader, including Apple Pay, Google Pay, and Samsung Pay mobile wallets. The easy-to-read color touch screen supports all payment-related user interactions and keypad for secured PIN entry.

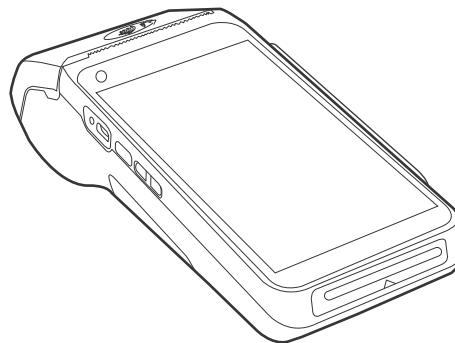


Figure 1 V660p-2 Device



## Key Features and Benefits

<b>Processor</b>	<ul style="list-style-type: none"> <li>• Cortex A53 quad core, 1.3GHz</li> <li>• QCOM 2150</li> </ul>
<b>Memory</b>	<ul style="list-style-type: none"> <li>• 2 GB RAM/16GB ROM</li> <li>• Support SD 3.0</li> </ul>
<b>Display</b>	<ul style="list-style-type: none"> <li>• 5.5" (1280 × 720) HD IPS LCD touchscreen</li> <li>• Screen rotation</li> </ul>
<b>Keypad</b>	<ul style="list-style-type: none"> <li>• On-screen, Navigator possible</li> </ul>
<b>Payment</b>	<ul style="list-style-type: none"> <li>• MSR</li> <li>• PSCR</li> <li>• CTLS</li> <li>• QR Code</li> </ul>
<b>Multimedia</b>	<ul style="list-style-type: none"> <li>• Speaker and audio jack and Volume Buttons</li> <li>• Integrated microphone</li> <li>• Video HD</li> <li>• Video Decode</li> </ul>
<b>Communication</b>	<ul style="list-style-type: none"> <li>• Bluetooth 4.2 BLE</li> <li>• 2.4 GHz + 5 GHz Wi-Fi</li> <li>• 802.11 a/b/g/n/ac</li> <li>• GSM 900/1800 MHz, WCDMA B1/5/8, &amp; LTE B1/3/5/7/8/20/28/38/40/41 for EU</li> <li>• LTE B2/4/5/7/12/13/14/17/25/26/41/66/71 for NA</li> </ul>
<b>GPS</b>	<ul style="list-style-type: none"> <li>• GPS, GLONASS</li> </ul>
<b>Physical Interface</b>	<ul style="list-style-type: none"> <li>• USB port type C</li> </ul>
<b>Camera/Barcode Scan</b>	<ul style="list-style-type: none"> <li>• 5 MP (forward QR/Barcode Scanner)</li> <li>• Rear camera - 5MP</li> <li>• Front facing camera - 2MP</li> </ul>
<b>Dimensions</b>	<ul style="list-style-type: none"> <li>• Length: 209 mm</li> <li>• Width: 84 mm</li> <li>• Height: 60 mm</li> <li>• Weight: 476 g (with battery)</li> </ul>
<b>Security</b>	<ul style="list-style-type: none"> <li>• PCI 6.X-approved</li> <li>• SRED</li> <li>• Supports AES DUKPT</li> </ul>
<b>Power adaptor</b>	<ul style="list-style-type: none"> <li>• Input: AC 100V-240V/50-60Hz/0.5A</li> <li>• Output: DC 5V/2.2A</li> </ul>
<b>Battery</b>	<ul style="list-style-type: none"> <li>• standard configuration 2500mAh/7.3V</li> </ul>
<b>SIM/SAM</b>	<ul style="list-style-type: none"> <li>• 1 SIM, 1 SAM and 1 SIM/SAM Combo</li> </ul>

<b>Card Reader</b>	<ul style="list-style-type: none"> <li>• Triple track MSR</li> <li>• EMV L1-approved smart card</li> <li>• ISO</li> <li>• NFC/CTLS</li> </ul>
<b>Environmental</b>	<ul style="list-style-type: none"> <li>• Operating temperature: 0° to 45° C (32° to 113° F)</li> <li>• Storage temperature: -20° to 60° C (-4° to 140° F)</li> <li>• Relative humidity: 5% to 90%</li> <li>• Non-condensing</li> </ul>
<b>Printer</b>	Built-in high-speed thermal printer, print speed greater than 30 lines / sec support paper roll with width 40 mm diameter support black mark positioning.
<b>LEDs</b>	<ul style="list-style-type: none"> <li>• Power Indicator <ul style="list-style-type: none"> <li>- Red = charging indicator</li> <li>- Green = fully charged indicator</li> </ul> </li> </ul>

## Features and Benefits

Following are the features and benefits.

- Ease of Use**
- 5.5" LCD display for unlimited application possibilities and easy readability under various lighting conditions.
  - Touchscreen for icon-based applications or electronic signature capture support.
  - Magnetic stripe card reader for optimal card reading.
  - Audio jack to facilitate accessibility for the visually impaired.
  - The V660p-2 portable solution is a lightweight powerhouse that is styled to easily fit in hand and go where you go.
  - Easily accept payments anywhere, any type, including mobile wallets and alternative payment methods.

- Performance and Durability**
- Fast transactions due to powerful 64-bit quad-core ARM Cortex-A53 microprocessor, up to 1.3 GHz.
  - Rounded corners and drop resistant to less than 1m on concrete floor to minimize breakage.
  - 2GB RAM / 16GB ROM, SD card slot that supports SD 3.0 memory.

- Security**
- Incorporates tamper-sensing circuitry to detect unauthorized intrusion and supports a broad spectrum of software-based security features.
  - PCI 6.X approved for debit and other PIN-based transactions.
  - EMV Level 1 Type Approval.

- Supports reliable security features including TLS, VeriShield file, authentication and VeriShield Protect to help prevent fraud and other intrusions.

### Contactless Capability

- Advanced contactless architecture that future-proofs investment with a single contactless interface (SingleCI), SoftSAMs, and side-by-side application architecture.
- Dedicated tap zone for optimized user experience.
- Accepts EMV, NFC, QR Code and mag-stripe contactless payments as well as PIN-based transactions.

### Communication Technology

- Bluetooth: Simple, plug-and-play installation for locations that need short-range wireless capability. Eddystone and iBeacon profiles are also supported.
- Dual band Wi-Fi.

### Connectivity

- Wired interface: USB port type C

DRAFT



## Device Setup

This chapter describes the device setup procedure. You will learn about:

- Device Location
- Inside the Shipping Carton
- Device Features
- SAM Card
- Examining Connection Port
- Using the Battery
- Connecting the Terminal Power Pack
- Loading a Paper Roll in Device
- Charging the Battery
- Using the Smart Card Reader
- Using the Magnetic Card Reader
- CTLS Transaction
- Wi-Fi/BT Support

### Device Location

The following are the guidelines used to select an ideal location for the device.

#### **Environmental Factors**

- Select a flat support surface, such as a countertop or table, place the device. Please store your V660p-2 device in dry area:
  - Operation temperature is 0 to 45° Celsius (32° F to 113° F).
  - Storage temperature is -20 to 60° Celsius (-4° F to 140° F).
- Select a location convenient for both the merchant and the cardholder.
- Select a flat support surface, such as a countertop or table, place the device.
- Keep the device away from direct sunlight and anything that radiates heat, such as a stove or motor.
- Do not use the device where there is high heat, dust, humidity, moisture, or caustic chemicals or oils.



The device is not waterproof or dustproof and is intended for indoor use only. Any damage to the unit from exposure to rain or dust may void any warranty.

## Personal Security Considerations

The V660p-2 can be used as handover device. Always exercise extreme caution when conducting transactions especially during PIN entry.

- Hand the V660p-2 directly to the cardholder for PIN entry.
- Encourage the cardholder to hold the V660p-2 close to avoid others from seeing the information entered.

## Electrical Considerations

- Avoid using this product during electrical storms.
- Avoid locations near electrical appliances or other devices that cause excessive voltage fluctuations or emit electrical noise (for example, air conditioners, electric motors, neon signs, high-frequency or magnetic security devices, or computer equipment).
- Avoid using the device near water or in moist conditions.
- Disconnect the device from its POS device before cleaning.

---

### WARNING



Do not use the device near water, including a bathtub, washbowl, kitchen sink or laundry tub, in a wet basement, or near a swimming pool to avoid shock or damage.

---

## Inside the Shipping Carton

Open the shipping carton and carefully inspect its contents for possible tampering or shipping damage. The device is a secure product. Tampering causes it to cease to function or to operate in an unsecured manner.

### Unpacking the Shipping Carton

To unpack the shipping carton:

- 1 Carefully inspect the shipping carton and its contents for possible tampering or damage.
- 2 Validate the authenticity of the sender by verifying the shipping tracking number and other information located on the product order paperwork.
- 3 Remove and inspect the following items:
  - V660p-2 unit
  - USB-C to USB cable
  - Paper roll

---

### NOTE



Verifone ships variants of the V660p-2 for different markets. Your unit may have different options or accessories described in this section.

---

- 4 Remove all plastic wrapping from the device and components.
- 5 Remove the clear protective film from the display.
- 6 Inspect the terminal for possible tampering. See how to identify signs of tampering in section [Periodic Inspection](#).

- 7 Save the shipping carton and packing material for future repacking or moving of the device.

---

**WARNING** Do not use a tampered or damaged unit. The device comes equipped with tamper-evident labels. If a label or component appears damaged, please notify the shipping company and your Verifone service provider immediately.

---



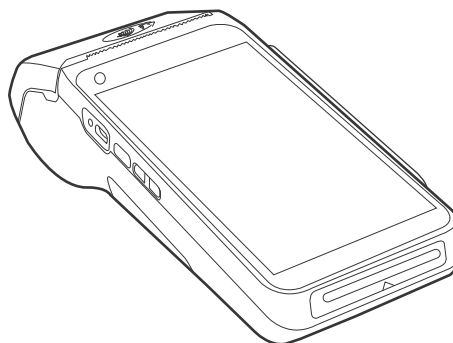
**Periodic Inspection** Periodically inspect the terminal for possible tampering. Signs of tampering include:

- Wires protruding out of the device.
- Foreign objects inserted into the smart card slot or magnetic stripe slot.
- Any bumps in the casing below the mag stripe slot and any noticeable additional mag stripe head from the side.
- Signs of damage to the tamper-evident labels.
- A Tamper Warning message on the device display.

If any device is found to have been tampered with, please remove it from service immediately, keep it available for potential forensics investigation, and notify your company security officer and your local Verifone representative or service provider. To contact Verifone, please see [Verifone Service and Support](#).

## Device Features

Familiarize yourself with the features before continuing with the installation process:



**Figure 2 V660p-2 (Front Panel)**

**Front Panel** The front panel offers the following features:

- The V660p-2 device has a colored touch screen display.
- A smart card reader is built into the front of the device to process smart card-based debit or credit transactions. For directions on how to use a smart card, see [Using the Smart Card Reader](#).

- A magnetic card reader built into the device for performing debit or credit card transactions. The card can be swiped from either direction. To ensure a proper read of the magnetic swipe card, insert the magnetic card from the side of the device as shown in [Figure 12](#).
- Contactless Reader and EMV have dedicated LEDs lower to the left of the display for contactless payments. For directions on how to conduct contactless transactions, see [CTLS Transaction](#).
- A 3.5 mm audio jack to facilitate accessibility for the visually impaired.

## SAM Card

When you first receive your V660p-2, you may need to install one or more SAM cards, or you may need to replace old cards. You may need to install one or two Multiple Security Access Module cards or replace an old one.

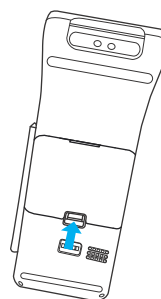


**CAUTION** Observe standard precautions when handling electrostatically sensitive devices. Electrostatic discharges can damage this equipment. Verifone recommends using a grounded anti-static wrist strap.

### Installing or Replacing SAM Card

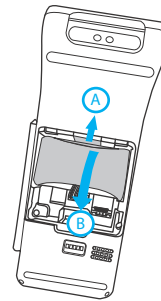
To install or replace SAM cards:

- 1 Power off the device.
- 2 Place the device face down on a soft and clean surface.
- 3 Remove the back cover of the unit.



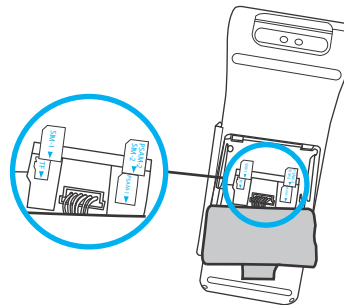
**Figure 3** Removing Back Cover

- 4 Turn over the battery without removing the battery from the battery compartment.



**Figure 4** Turn over the Battery

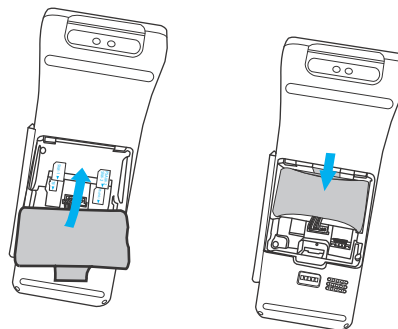
- 5 Insert the SAM cards without removing the battery. Carefully slide the card into the slot until fully inserted. The correct orientation of the SAM card is as indicated in Figure 5.



**Figure 5** SIM/SAM Insertion

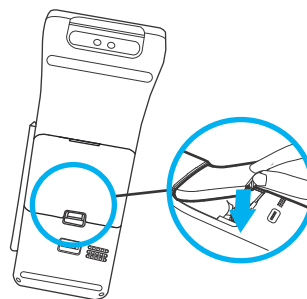


- 6 Turn the battery back into the compartment and place it in the slot.



**Figure 6** Placing the Battery Back

- 7 Close the back cover.



**Figure 7** Closing Back Cover

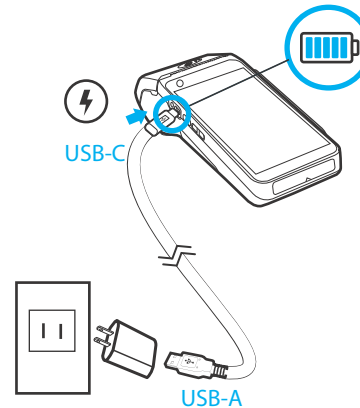


**NOTE** Position the card's gold contacts facing downward towards the user. The card slot in the device has a set of contacts. The SAM card has a notch on one corner to ensure that it fits into the connector base in only one way.

To replace SAM card, gently slide out the old SAM card before inserting a new one.

## Examining Connection Port

The V660p-2 device has one primary USB-C port used for power and download.



**Figure 8 V660p-2 Primary USB-C Port**

## Using the Battery

The V660p-2 device uses dual cell Li-Ion battery. The internal logic of the battery prevents both overcharging and undercharging (a fault condition in which the battery level goes well below the minimum acceptable charge and the battery becomes unusable).

### Battery Features

The following are features of the battery:

- Two Li-Ion cells
- A safety circuit that:
  - Prevents cell damage from overcharge, over-discharge, or overheating.
  - Activates when the battery is left in an unused device for an extended period.

#### NOTE



- Charge the V660p-2 device for eight hours before initial use.
- Disconnecting and unplugging the device power pack, reduces the life of the coin cell battery, which does not recharge and must be replaced if drained.
- Conserve battery power by turning the V660p-2 devices off when not in use. Do not let the battery charge fall below 10% for an extended period of time as this may permanently diminish the battery capacity. Recharge the battery by attaching the USB-C end of the power pack to the device and plugging the other end of the power pack into a wall outlet.

### Manual Startup

Hold the start button for about 3 seconds until the device displays the startup screen.

**Manual Shutdown** Hold the start button for about 1 second until the message is displayed on the screen. Touch the "Off" selection to turn off.

**NOTE**



The screen is blank when the device has no power.

**Connecting the Terminal Power Pack**

Connect the V660p-2 devices to the provided USB cable and insert the other end into any USB charger head for initial charging.

**CAUTION**



Using an incorrectly rated power supply may damage the device or cause it not to work as specified. Before troubleshooting, ensure that the power supply being used to power the device matches the requirements specified on the bottom of the device. (See [Specifications](#) for detailed power supply specifications.) You can use any standard USB charger.

**WARNING**

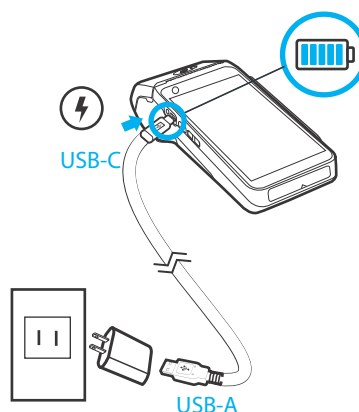


Do not plug the power pack into an outdoor outlet or operate the device outdoors. During a transaction, disconnecting the power by unplugging the device from a wall power while at very low battery charge may cause transaction data files not yet stored in the device memory to be lost.

Each V660p-2 device comes with a power supply cable, USB-A to USB-C cable is used to connect the device directly to an USB outlet to charge the battery. The V660p-2 unit is equipped with an USB capable universal port.

**To Connect the Terminal Power Supply**

Insert the USB-C to the V660p-2 and USB-A port to the power supply or Desktop.



**Figure 9 V660p-2 Power Supply Connection**

**TIP**



To protect against possible damage caused by lightning strikes and electrical surges, consider installing a power surge protector.

## Loading a Paper Roll in Device

Install a paper roll before you can start transactions that require a receipt.

The V660p-2 uses a roll of 40 mm, single-ply, thermal-sensitive paper.

A pink **out-of-paper** indicator line appears on the edge of the paper before the end of the roll. After this line appears, there is enough paper remaining on the roll to perform at least one more transaction.

---

### NOTE



A message is always displayed to indicate that the printer is out of paper.

---

---

### CAUTION



Poor-quality paper can jam the printer and create excessive paper dust. To place order for high-quality Verifone paper, refer to [Accessories and Documentation](#).

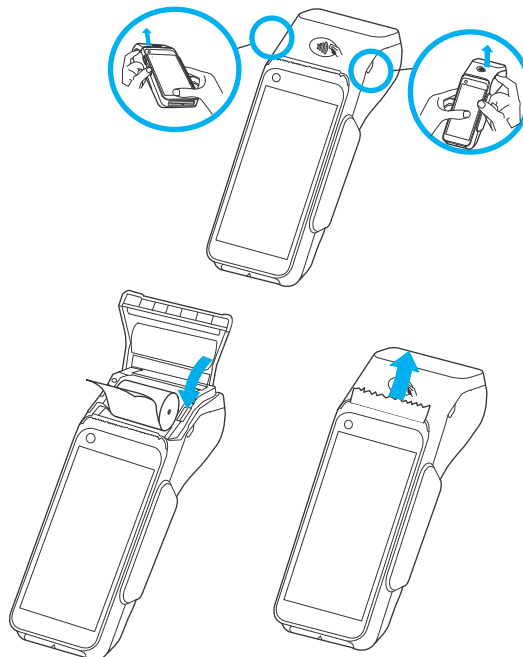
Store thermal paper in a dry, dark area. Handle thermal paper carefully: impact, friction, temperature, humidity, and oils affect the color and storage characteristics of the paper.

Never load a roll of paper with folds, wrinkles, tears, or holes at the edges.

---

DRAFT

- To install a paper roll**
- 1 Hold both sides of the paper door, which is on the upper corner of the device and open the paper door by pulling outside (See Figure 10).
  - 2 Remove any partial roll of paper in the tray.



**Figure 10** Steps to Install a Paper Roll in the V660p-2

- 3 Loosen the glued leading edge of the new paper roll or remove the protective strip. Unwind the paper roll past any glue residue.
- 4 Hold the roll so that paper feeds from the bottom of the roll.
- 5 Pull the paper past the printer door.
- 6 Align the printer paper to the tabs to the paper guides and hold the paper up when closing the door.
- 7 With the printer paper extending outside, close the printer door by swinging upward until the door clicks shut, allowing the printer paper to extend outside the printer door.

## Charging the Battery

After unpacking your V660p-2 devices, connect the power pack to the unit for eight hours or until fully charged. Refer to the [Using the Battery](#) section for more details.

## Battery Life

Charging and discharging the battery will cause normal wear on the battery.

### WARNING



Li-Polymer and Li-Ion batteries must be recycled or disposed of properly as per local guidelines/regulations.

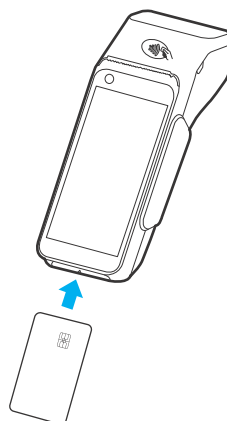


## Using the Smart Card Reader

Insert the smart card to proceed with the EMV transaction. EMV supports credit card and debit card transactions.

### *To Conduct a Smart Card Transaction*

- 1 Position the smart card with the contacts facing upward (see [Figure 11](#)).
- 2 Insert the card into the reader slot in a smooth, continuous motion until it seats firmly.
- 3 Wait for the application to indicate a completed transaction before removing the card. Premature card removal invalidates the transaction.



**Figure 11**     **Inserting a Smart Card**

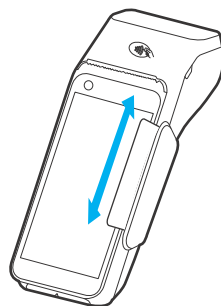
## Using the Magnetic Card Reader

Use the magnetic stripe reader to perform credit and debit card transactions.

### *Using a Magnetic Card Reader - Debit or Credit Card Transaction*

- 1 Position the card with the magnetic stripe facing inwards.

- 2 To ensure a proper read of the magnetic swipe card, insert the magnetic card from the side of the device, as shown in Figure 12.

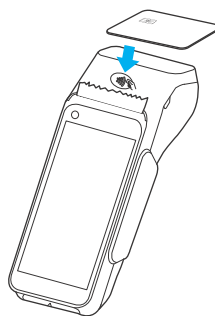


**Figure 12 Using Magnetic Stripe Card**

- 3 Swipe the card through the magnetic card reader.

## CTLS Transaction

The V660p-2 supports contactless credit or debit card transactions. To perform a contactless transaction, gently tap the card or hold the card against the surface of the display.



**Figure 13 Using the CTLS Reader**

## Wi-Fi/BT Support

The V660p-2 device includes an integrated WLAN RF transceiver for Wireless LAN systems with advanced power management, and an integrated radio transceiver for Bluetooth wireless systems.

## Bluetooth Support

Supports BR/EDR and LE.

## Wireless Transaction

The V660p-2 device supports wireless transactions.

---

**WARNING**



Turn off or unplug the terminal when connecting or disconnecting the device to avoid device memory corruption and data loss.

---

DRAFT





## Specifications

This chapter discusses the power requirements and dimensions of the V660p-2.

### Unit Power Requirement

- Input power rating: 5V DC, 2.2A
- Charging via USB-C to and external dock connector
- 2500mAh/7.3V Li-Ion rechargeable battery

### Temperature

- Operating Environment:
  - Temperature: 0° C to 45° C (32° F to 113° F)
  - Relative humidity: 5% to 90% RH non-condensing
- Non-Operating Environment:
  - Temperature: -20° C to 60° C (-4° F to 140° F)
  - Relative humidity: 5% to 90% RH non-condensing
- Over Temperature Protection for Battery Pack:
  - The highest specified charging temperature of battery pack is 47° C ± 2° C.
  - The lowest specified charging temperature of battery pack is 0° C ± 2° C.

### Memory

- 2 GB RAM/16GB ROM
- Supports SD 3.0

### Magnetic Card Reader

- Triple-track
- Supports bi-directional card read
- Swipe speed at 10 IPS to 40 IPS

### Smart Card Reader

- ISO 7816, 1.8V, 3V, 5V
- Synchronous and asynchronous cards

### SAM Card Reader

- Two Security Access Module (SAM) card slots

### Integrated Contactless Reader

- ISO 14443, ISO 18092, EMV

- Display** • 5.5" (720 × 1280) HD IPS LCD touchscreen

- External Dimensions**
- Length: 209 mm (8.1")
  - Width: 84 mm (3.3")
  - Depth: 60 mm (2.4")

- Audio Jack** • Loudspeaker, microphone

- Security** • Complies to PCI 6

- Communication**
- Bluetooth 4.2 BLE
  - 2.4 GHz + 5 GHz Wi-Fi
  - 802.11 a/b/g/n/ac
  - GSM 900/1800 MHz, WCDMA B1/5/8, & LTE B1/3/5/7/8/20/28/38/40/41 for EU
  - LTE B2/4/5/7/12/13/14/17/25/26/41/66/71 for NA

- GPS** • GPS, GLONASS

- Camera**
- 5 MP (front QR/Barcode Scanner)
  - Rear camera - 5MP
  - Front facing camera - 2MP
  - LED torch

- Printer**
- High-speed thermal printer: 30 lps
  - Paper roll: Max 40 mm Diameter

- Temperature** • Storage temperature: -20° to 60° C (-4° to 140° F)

- Humidity** • Relative humidity: 5% to 90% (RH non-condensing)



## Maintenance and Cleaning

The V660p-2 device has no user-maintainable parts. It can, however, be cleaned.

### General Care

Your device is a product of superior design and craftsmanship and should be treated with care. The following suggestions will help you protect your warranty coverage.

- Keep the device dry. Precipitation, humidity, and all types of liquids or moisture can contain minerals that will corrode electronic circuits. If your device gets wet, switch off the power, and allow the device to dry completely before replacing it.
- Do not use or store the device in dusty and dirty areas. Its moving parts and electronic components can be damaged.
- Do not store the device in hot areas. High temperatures can shorten the life of electronic devices, damage batteries, and warp or melt certain plastics.
- Do not store the device in cold areas. It can form moisture inside the device and damage electronic circuit boards when the device returns to its normal temperature.
- Do not drop, knock, or shake the device. Rough handling can break internal circuit boards and fine mechanics.
- Do not paint the device. Paint can clog the moving parts and prevent proper operation.
- Keep the device free from any small and loose items (such as paper clips, staples, or coins) that could accidentally get inside it through an opening, such as the SAM slots or the primary smart card reader slot.
- Do not attempt to open the device other than as instructed in this guide. This device has security features that protect it from tampering. For example, the file content will be deleted if the device's outer casing is opened.
- Use only the power adapter that came with your device. Adapters of other electronic devices may look similar, but they may affect your device's performance or damage it.
- Do not use this device in any area with a potentially explosive atmosphere. Follow all signs and instructions. Potentially explosive atmosphere includes areas where you would normally be advised to turn off your vehicle engine. Sparks in such areas could cause an explosion or fire resulting in bodily injury or even death.

These suggestions apply equally to your device, or any of its attachments, or accessories. If your device is not working properly, then take it to the nearest authorized service facility for servicing or replacement. For your safety, have this device serviced only by a Verifone-authorized service provider.

## Additional Safety Information

The following are additional safety information in using this device.

### Surface Cleaning

To clean the device, use a slightly clean dampened with water and a drop or two of mild soap. For stubborn stains, use alcohol or an alcohol-based cleaner.



Never use thinner, trichloroethylene, or ketone-based solvents - they can deteriorate plastic or rubber parts.

Do not spray cleaners or other solutions directly onto the device.

### Smart Card Reader Cleaning

The Smart Card Reader (SCR) must be cleaned on a regular basis, as dirt accumulation can lead to SCR reading problems. SCR can be cleaned using commercially available card reader cleaning cards or using recommended Verifone cleaning card (PN 02746-02).

#### Cleaning the SCR

To clean the SCR:

- 1 Inspect the device's SCR for presence of foreign objects before cleaning Customer Smart Card.
  - a If unit shows no presence of foreign objects, test the SCR function and record results. Proceed to [Step 2](#).



Send your device to a Verifone authorized repair center if foreign objects are found in the SCR at any time during SCR inspection, test diagnostics, or cleaning process. Removal of foreign objects from the SCR by customers may void device warranty.

- 2 Clean the SCR with approved or recommended Verifone cleaning card. It is always advised to use new cleaning cards every time.



If using a commercially available cleaning card use ONLY an approved SCR cleaning card made specifically for POS SCR devices or Petroleum SCR.

- 3 Test the SCR after cleaning.
  - a If SCR tests out okay as "passing", then the unit is ready for Customer Smart Card use.
  - b If SCR tests out as "failing", then send the unit for repair. Provide details to repair center when SCR fails testing, either before cleaning OR after cleaning OR both before and after cleaning.

**Magnetic Stripe  
Cleaning**

The Magnetic Stripe Reader (MSR) must be cleaned on a regular basis (daily to once a week, depending on usage), as dirt accumulation can lead to MSR reading problems. MSR can be cleaned using commercially available card reader cleaning cards or using recommended Verifone cleaning card (PN 02746-02).

**NOTE**



If using a commercially available cleaning card use **ONLY** an approved MSR cleaning card made specifically for POS MSR Card reader devices or Petroleum MSR card readers.

DRAFT

## Verifone Service and Support

Contact your local Verifone representative or service provider for any problems on your device.

For product service and repair information:

- USA – Verifone Service and Support Group, 1-800-VERIFONE (837-4366), Monday to Friday, 8 A.M. - 8 P.M., Eastern time
- International – Contact your Verifone representative

### Service Returns

You must obtain a Merchandise Return Authorization (MRA) number before returning the device to Verifone. The following procedure describes how to return one or more devices for repair or replacement (U.S. customers only).



For international customers, please contact your local Verifone representative for assistance with your service, return, or replacement.

#### *Returning One or More Devices for Repair or Replacement*

- 1 Gather the following information from the printed labels on the bottom of each device to be returned:
  - Product ID, including the model and part number. For example, “V660p-2”, “Mxxx-xxx-xx”, and “PTID xxxxxxxx.”
  - Serial number (S/N xxx-xxx-xxx).
- 2 Obtain the MRA numbers by completing the following:
  - Call Verifone within the United States toll-free at 1-800-Verifone and follow the automated menu options.
    - Select the MRA option from the automated message. The MRA department is open Monday to Friday, 8 A.M.–8 P.M., Eastern time.
    - Give the MRA representative the information gathered in [Step 1](#).
  - Complete the Inquiry Contact Form at:  
[https://support.verifone.com/verifone/support/repair\\_inquiry.do](https://support.verifone.com/verifone/support/repair_inquiry.do).
  - Address the Subject box with to “Verifone MRA Dept.”
  - Reference the model and part number in the Note box.



One MRA number must be issued for each device you return to Verifone, even if you are returning several devices of the same model.

- 3 Describe the problem(s).
- 4 Provide the shipping address where the repaired or replacement unit must be returned.
- 5 Keep a record of the following items:
  - Assigned MRA number(s).
  - Verifone serial number assigned to the device you are returning for service or repair (serial numbers are located at the bottom of the unit).
  - Shipping documentation, such as air bill numbers that can be used to trace the shipment.
  - Model(s) returned (model numbers are located on the Verifone label at the bottom of the device).

### Optional Accessories

These accessories can be used to further enhance the device's functionality. See Accessories and Documentation for additional information.

### Accessories and Documentation

Verifone produces the following accessories and documentation for the V660p-2 device. When ordering, please take note of the part number.

- USA – Verifone Customer Development Center, 1-800-837-4366, Monday to Friday, 7 A.M. - 8 P.M., Eastern time
- International – Contact your Verifone representative

#### Accessories

Verifone Certified Power Adapter	PWR 560-002-00-A
Verifone MSR Cleaning Kit	PN 02746-02

#### Documentation

<i>660 Certifications and Regulations</i>	VPN-DOC571-001-EN
<i>V660p Quick Installation Guide</i>	VPN-DOC571-002-EN
<i>V660p Installation Guide</i>	VPN-DOC571-003-EN



## Troubleshooting Guidelines

The troubleshooting guidelines provided in the following section are included to help you install and configure your V660p-2 successfully. Typical examples of malfunction you may encounter while operating your V660p-2 device and steps you can take to resolve them are listed in this chapter.

If the problem persists even after performing the outlined guidelines or if the problem is not described below, contact your local Verifone representative for assistance.



**NOTE** The V660p-2 comes equipped with tamper-evident labels. The V660p-2 unit contains no user serviceable parts. Do not, under any circumstance, attempt to disassemble the device. Perform only those adjustments or repairs specified in this guide. For all other services, contact your local Verifone service provider. Service conducted by parties other than authorized Verifone representatives may void any warranty.



**CAUTION** Before troubleshooting, ensure that the power supply being used to power the device matches the requirements specified at the bottom of the device. (See [Specifications](#), for detailed power supply specifications.) Obtain the appropriately rated power supply before continuing with troubleshooting.

### Device Does Not Start

If the device does not start:

- Ensure that the device is plugged into a dedicated power source.
- Check if the power cable connector is plugged in properly.

### Device Display Does Not Show Correct/Readable Info

If the device display does not show correct/readable info:

- Check all the cable connections. If the problem persists, then contact your local Verifone representative for assistance.



## Blank Display

When the device display is blank:

- If the device display is dark, tap the screen with the stylus or your finger. If the unit was in screen-saver mode, the screen will turn on when touched.
- If the display does not show correct or readable information, then check all the cable connections. If the problem persists, then contact your local Verifone representative for assistance.

## Transactions Fail to Process

There are several possible reasons why the unit may not be processing transactions. Use the following steps to troubleshoot failures.

### Checking Magnetic Card Reader

To check magnetic card reader:

- 1 Perform a test transaction using one or more different magnetic stripe cards to ensure that the problem is not a defective card.
- 2 Ensure that you are swiping the card properly (see [Using the Magnetic Card Reader](#)).
- 3 Process a transaction manually using the keypad instead of the card reader. If the manual transaction works, then the problem may be a defective card reader.
- 4 Contact your local Verifone representative if the problem persists.

### Checking Smart Card Reader

To check smart card reader:

- 1 Perform a test transaction using several different smart cards to ensure the problem is not a defective card.
- 2 Ensure that the card is inserted correctly (see [Using the Smart Card Reader](#)).
- 3 Ensure that the MSAM cards are properly inserted in the slots and are properly secured (see [SAM Card](#)).
- 4 Contact your local Verifone representative if the problem persists.



Verifone, Inc.  
1-800-Verifone  
[www.verifone.com](http://www.verifone.com)

DRAFT

V660p-2

## *Installation Guide*

