



# **CERTIFICATION TEST REPORT**

**Report Number. :** 11972366-E1V3

**Applicant :** Verifone, Inc.  
1400 West Stanford Ranch Road  
Rocklin, CA 95765, USA

**Model :** V240m BTWIFI

**FCC ID :** B32V240MBW

**IC :** 787C-V240MBW

**EUT Description :** Mobile Point of Sale Terminal

**Test Standard(s) :** FCC 47 CFR PART 15 SUBPART C  
INDUSTRY CANADA RSS - 210 ISSUE 9  
INDUSTRY CANADA RSS-GEN Issue

**Date Of Issue:**

January 12, 2018

**Prepared by:**

UL Verification Services Inc.  
47173 Benicia Street  
Fremont, CA 94538, U.S.A.  
TEL: (510) 771-1000  
FAX: (510) 661-0888



NVLAP Lab code: 200246-0

**Revision History**

<u>Ver.</u>	<u>Issue Date</u>	<u>Revisions</u>	<u>Revised By</u>
V1	10/19/17	Initial Issue	--
V2	12/22/17	Address TCB's Questions	Chin Pang
V3	01/12/18	Revised "Worst-Case Configuration And Mode" section by referring to the report of the base model for conducted test items.	Frank Ibrahim

## TABLE OF CONTENTS

<b>1. ATTESTATION OF TEST RESULTS</b> .....	<b>4</b>
<b>2. TEST METHODOLOGY</b> .....	<b>5</b>
<b>3. FACILITIES AND ACCREDITATION</b> .....	<b>5</b>
<b>4. CALIBRATION AND UNCERTAINTY</b> .....	<b>6</b>
4.1. <i>MEASURING INSTRUMENT CALIBRATION</i> .....	6
4.2. <i>SAMPLE CALCULATION</i> .....	6
4.3. <i>MEASUREMENT UNCERTAINTY</i> .....	6
<b>5. EQUIPMENT UNDER TEST</b> .....	<b>7</b>
5.1. <i>DESCRIPTION OF EUT</i> .....	7
5.2. <i>MAXIMUM FIELD STRENGTH</i> .....	7
5.3. <i>DESCRIPTION OF AVAILABLE ANTENNAS</i> .....	7
5.4. <i>SOFTWARE AND FIRMWARE</i> .....	7
5.5. <i>WORST-CASE CONFIGURATION AND MODE</i> .....	7
5.6. <i>MODIFICATIONS</i> .....	8
5.7. <i>DESCRIPTION OF TEST SETUP</i> .....	9
<b>6. TEST AND MEASUREMENT EQUIPMENT</b> .....	<b>11</b>
<b>7. RADIATED EMISSION TEST RESULTS</b> .....	<b>12</b>
7.1. <i>LIMITS AND PROCEDURE</i> .....	12
7.2. <i>FUNDAMENTAL AND FUNDAMENTAL EMISSION MASK (11.56 – 15.56 MHz)</i> .....	14
7.3. <i>TX SPURIOUS EMISSIONS (0.09 – 30MHz)</i> .....	16
7.4. <i>TX SPURIOUS EMISSIONS (30 – 1000MHz)</i> .....	17
<b>8. SETUP PHOTOS</b> .....	<b>19</b>

# 1. ATTESTATION OF TEST RESULTS

**COMPANY NAME:** Verifone, Inc.  
1400 West Stanford Ranch Road Suite 200  
Rocklin, CA 95765, USA

**EUT DESCRIPTION:** Mobile Point of Sale Terminal

**MODEL:** V240m BTWIFI

**SERIAL NUMBER:** 313-856-509

**DATE TESTED:** October 03 to 04, 2017

APPLICABLE STANDARDS	
STANDARD	TEST RESULTS
FCC 47 CFR PART 15 SUBPART C	PASS
INDUSTRY CANADA RSS - 210 ISSUE 9	PASS
INDUSTRY CANADA RSS-GEN ISSUE 4	PASS

UL Verification Services Inc. tested the above equipment in accordance with the requirements set forth in the above standards. All indications of Pass/Fail in this report are opinions expressed by UL Verification Services Inc. based on interpretations and/or observations of test results. Measurement Uncertainties were not taken into account and are published for informational purposes only. The test results show that the equipment tested is capable of demonstrating compliance with the requirements as documented in this report.

**Note:** The results documented in this report apply only to the tested sample, under the conditions and modes of operation as described herein. This document may not be altered or revised in any way unless done so by UL Verification Services Inc. and all revisions are duly noted in the revisions section. Any alteration of this document not carried out by UL Verification Services Inc. will constitute fraud and shall nullify the document. This report must not be used by the client to claim product certification, approval, or endorsement by NVLAP, NIST, any agency of the Federal Government, or any agency of any government.

Approved & Released For  
UL Verification Services Inc. By:



FRANK IBRAHIM  
CONSUMER TECHNOLOGY DIVISION  
OPERATION LEADER  
UL VERIFICATION SERVICES INC

Prepared By:



GLENN ESCANO  
CONSUMER TECHNOLOGY DIVISION  
LAB ENGINEER  
UL VERIFICATION SERVICES INC

## 2. TEST METHODOLOGY

The tests documented in this report were performed in accordance with ANSI C63.10-2013, FCC CFR 47 Part 2, and FCC CFR 47 Part 15, RSS-GEN Issue 4, and RSS-210 Issue 9.

## 3. FACILITIES AND ACCREDITATION

The test sites and measurement facilities used to collect data are located at 47173 and 47266 Benicia Street, Fremont, California, USA. Line conducted emissions are measured only at the 47173 address. The following table identifies which facilities were utilized for radiated emission measurements documented in this report. Specific facilities are also identified in the test results sections.

47173 Benicia Street		47266 Benicia Street	
<input type="checkbox"/>	Chamber A (IC:2324B-1)	<input type="checkbox"/>	Chamber D (IC:22541-1)
<input checked="" type="checkbox"/>	Chamber B (IC:2324B-2)	<input type="checkbox"/>	Chamber E (IC: 22541-2)
<input type="checkbox"/>	Chamber C (IC:2324B-3)	<input type="checkbox"/>	Chamber F (IC: 22541-3)
		<input type="checkbox"/>	Chamber G (IC: 22541-4)
		<input type="checkbox"/>	Chamber H (IC: 22541-5)

The above test sites and facilities are covered under FCC Test Firm Registration # 208313. UL Verification Services Inc. is accredited by NVLAP, Laboratory Code 200065-0.

Chambers A through C are covered under Industry Canada company address code 2324B with site numbers 2324B -1 through 2324B-3, respectively and Chambers D through H are covered under Industry Canada company address code 22541 with site numbers 22541 -1 through 22541-5, respectively.

## 4. CALIBRATION AND UNCERTAINTY

### 4.1. MEASURING INSTRUMENT CALIBRATION

The measuring equipment utilized to perform the tests documented in this report has been calibrated in accordance with the manufacturer's recommendations, and is traceable to recognized national standards.

### 4.2. SAMPLE CALCULATION

Where relevant, the following sample calculation is provided:

$$\begin{aligned} \text{Field Strength (dBuV/m)} &= \text{Measured Voltage (dBuV)} + \text{Antenna Factor (dB/m)} + \\ &\text{Cable Loss (dB)} - \text{Preamp Gain (dB)} \\ 36.5 \text{ dBuV} + 18.7 \text{ dB/m} + 0.6 \text{ dB} - 26.9 \text{ dB} &= 28.9 \text{ dBuV/m} \end{aligned}$$

### 4.3. MEASUREMENT UNCERTAINTY

Where relevant, the following measurement uncertainty levels have been estimated for tests performed on the apparatus:

Parameter	Uncertainty
Worst Case Conducted Disturbance, 9KHz to 0.15 MHz	3.84 dB
Worst Case Conducted Disturbance, 0.15 to 30 MHz	3.65 dB
Worst Case Radiated Disturbance, 9KHz to 30 MHz	3.15 dB
Worst Case Radiated Disturbance, 30 to 1000 MHz	5.36 dB
Worst Case Radiated Disturbance, 1000 to 18000 MHz	4.32 dB
Worst Case Radiated Disturbance, 18000 to 26000 MHz	4.45 dB
Worst Case Radiated Disturbance, 26000 to 40000 MHz	5.24 dB

Uncertainty figures are valid to a confidence level of 95%.

## **5. EQUIPMENT UNDER TEST**

### **5.1. DESCRIPTION OF EUT**

The EUT is a Point of Sale Terminal, which supports the following technologies: WLAN 2.4 GHz, Bluetooth and NFC.

### **5.2. MAXIMUM FIELD STRENGTH**

The testing was performed at 3 meter. The transmitter maximum E-field at 30 meter distance was 35.59 dBuV/m which was converted from the 3 meter data.

### **5.3. DESCRIPTION OF AVAILABLE ANTENNAS**

The radio used a two turn, inductive loop antenna.  
ES\_GT\_303989 and tested by CETECOM GmbH.

### **5.4. SOFTWARE AND FIRMWARE**

The firmware installed in the EUT during testing was VOS2 – 30640xxx.

### **5.5. WORST-CASE CONFIGURATION AND MODE**

The fundamental of the EUT was investigated in three orthogonal orientations X, Y, Z, it was determined that X-Axis orientation was worst-case orientation; therefore, all final radiated testing was performed with the EUT in X-Axis orientation.

Only radiated testing was performed on this device for NFC as it has the same NFC module from base model V240m Plus 3GBW that was covered by report number “11631998-E5V1”, enclosure of this device is different, therefore, full radiated emissions testing was performed. Results for this device was equal or lower than the results of the base model, therefore, no further testing or investigation is required.

For conducted test data which covers Frequency Tolerance and power line conducted emissions, refer to sections 9 and 10 of report “11631998-E5V1” related to FCC ID “B32V240MPLUS” and IC “787C-V240MPLUS”.

Model V240m BTWIFI is a depopulated variant of the base model “V240m Plus 3GBW” where it only has BT, WiFi and NFC technologies.

## **5.6. MODIFICATIONS**

No modifications were made during testing.



## 5.7. DESCRIPTION OF TEST SETUP

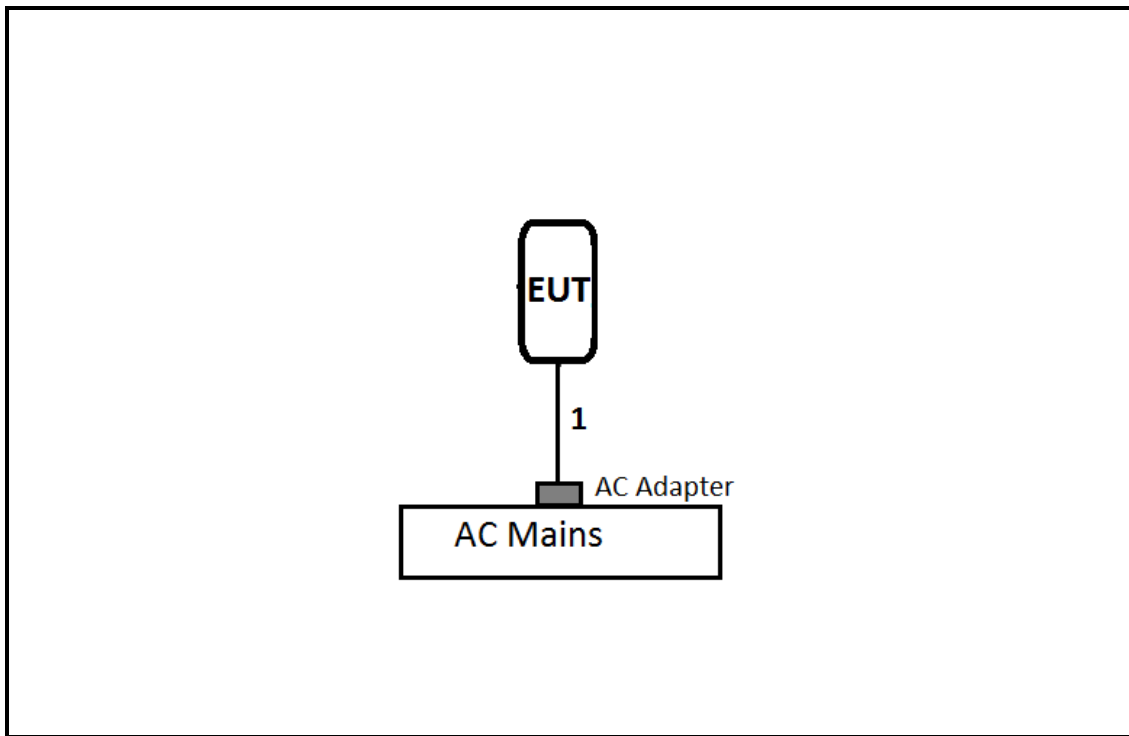
### SUPPORT EQUIPMENT

Support Equipment List				
Description	Manufacturer	Model	Serial Number	FCC ID
Laptop	Lenovo	20B7S0A200	PC015REW	NA
AC Adapter	Verifone	SC1402	1713600062701	NA

### I/O CABLES (RADIATED EMISSIONS)

I/O Cable List						
Cable No	Port	# of identical ports	Connector Type	Cable Type	Cable Length (m)	Remarks
1	DC	1	AC	Un-shielded	2	N/A

**RADIATED EMISSIONS SETUP DIAGRAM**



## 6. TEST AND MEASUREMENT EQUIPMENT

The following test and measurement equipment was utilized for the tests documented in this report:

TEST EQUIPMENT LIST				
Description	Manufacturer	Model	Asset	Cal Due
Antenna, Broadband Hybrid, 30MHz to 2000MHz w/4dB Pad	Sunol Sciences Corp.	JB3	T477	06/24/18
Antenna, Active Loop 9kHz-30MHz	ETS-Lindgren	6502	T1683	02/17/18
Amplifier, 10kHz-1GHz	Agilent (Keysight) Technologies	8447D	T15	08/24/18
Spectrum Analyzer, PXA, 3Hz to 44GHz	Agilent (Keysight) Technologies	N9030A	T907	01/23/18

NOTE: \*testing is completed before equipment calibration expiration date.

Description	Manufacturer	Model	Version
Radiated Software	UL	UL EMC	Ver 9.5, Apr 26, 2016

## 7. RADIATED EMISSION TEST RESULTS

### 7.1. LIMITS AND PROCEDURE

#### LIMIT

§15.225, 15.209

IC RSS-210, Annex B.6 (Transmitter)

IC RSS-GEN, Section 7.1.2 (Receiver)

(a) The field strength of any emissions within the band 13.553–13.567 MHz shall not exceed 15,848 microvolts/ meter at 30 meters.

(b) Within the bands 13.410–13.553 MHz and 13.567–13.710 MHz, the field strength of any emissions shall not exceed 334 microvolts/meter at 30 meters.

(c) Within the bands 13.110–13.410 MHz and 13.710–14.010 MHz the field strength of any emissions shall not exceed 106 microvolts/meter at 30 meters.

(d) The field strength of any emissions appearing outside of the 13.110– 14.010 MHz and shall not exceed the general radiated emission limits in § 15.209 as follows:

§15.209 (a) Except as provided elsewhere in this subpart, the emissions from an intentional radiator shall not exceed the field strength levels specified in the following table:

Limits for radiated disturbance of an intentional radiator		
Frequency range (MHz)	Limits (µV/m)	Measurement Distance (m)
0.009 – 0.490	2400 / F (kHz)	300
0.490 – 1.705	24000 / F (kHz)	30
1.705 – 30.0	30	30
30 – 88	100**	3
88 - 216	150**	3
216 – 960	200**	3
Above 960	500	3

\*\* Except as provided in paragraph (g), fundamental emissions from intentional radiators operating under this section shall not be located in the frequency bands 54-72 MHz, 76-88 MHz, 174-216 MHz or 470-806 MHz. However, operation within these frequency bands is permitted under other sections of this part, e.g. §§ 15.231 and 15.241.

§15.209 (b) In the emission table above, the tighter limit applies at the band edges.

Formula for converting the field strength from uV/m to dBuV/m is:

Limit (dBuV/m) = 20 log limit (uV/m)

§15.209 (d) The emission limits shown at the above table are based on measurements employing a CISPR quasi-peak detector except for the frequency bands 9-90 kHz, 110-490 kHz and above 1000 MHz. Radiated emissions limits in these three bands are based on measurements employing an average detector.

§15.209 (d) The provisions in §§ 15.225, measuring emissions at distances other than the distances specified in the above table, determining the frequency range over which radiated emissions are to be measured, and limiting peak emissions apply to all devices operated under this part.

## **TEST PROCEDURE**

ANSI C63.10-2013

The EUT is an intentional radiator that incorporates a digital device. The highest fundamental frequency generated or used in the device is 13.56 MHz. The frequency range was investigated from 0.15 MHz to the 10th harmonic of the highest fundamental frequency, or 1000 MHz, whichever is greater (1000MHz)

## **RESULTS**

### **KDB 414788 OATS and Chamber Correlation Justification**

Base on FCC 15.31 (f) (2): measurements may be performed at a distance closer than that specified in the regulations; however, an attempt should be made to avoid making measurements in the near field.

OATs and chamber correlation testing had been performed and chamber measured test result is the worst case test result.

## 7.2. FUNDAMENTAL AND FUNDAMENTAL EMISSION MASK (11.56 – 15.56 MHz)



Trace Markers

Marker	Frequency (MHz)	Meter Reading (dBuV)	Det	Loop Antenna (dB/m)	Cbl (dB)	Dist Corr 30m	Corrected Reading dB(uVolts/meter)	FCC 15.225 Limit	PK Margin (dB)	Azimuth (Degs)	Polarity
1	12.9225	32.98	Pk	10.4	1.6	-40	4.98	29.54	-24.56	0-360	Face-On
6	13.34503	41.79	Pk	10.4	1.6	-40	13.79	40.51	-26.72	0-360	Face-Off
2	13.348	43.74	Pk	10.4	1.6	-40	15.74	40.51	-24.77	0-360	Face-On
7	*13.55208	58.83	Pk	10.4	1.6	-40	30.83	50.5	-19.67	0-360	Face-Off
3	*13.55725	63.59	Pk	10.4	1.6	-40	35.59	84	-48.41	0-360	Face-On
8	13.76712	40.6	Pk	10.3	1.6	-40	12.5	40.51	-28.01	0-360	Face-Off
4	13.77238	42.81	Pk	10.3	1.6	-40	14.71	40.51	-25.8	0-360	Face-On
5	14.19538	33.57	Pk	10.3	1.6	-40	5.47	29.54	-24.07	0-360	Face-Off

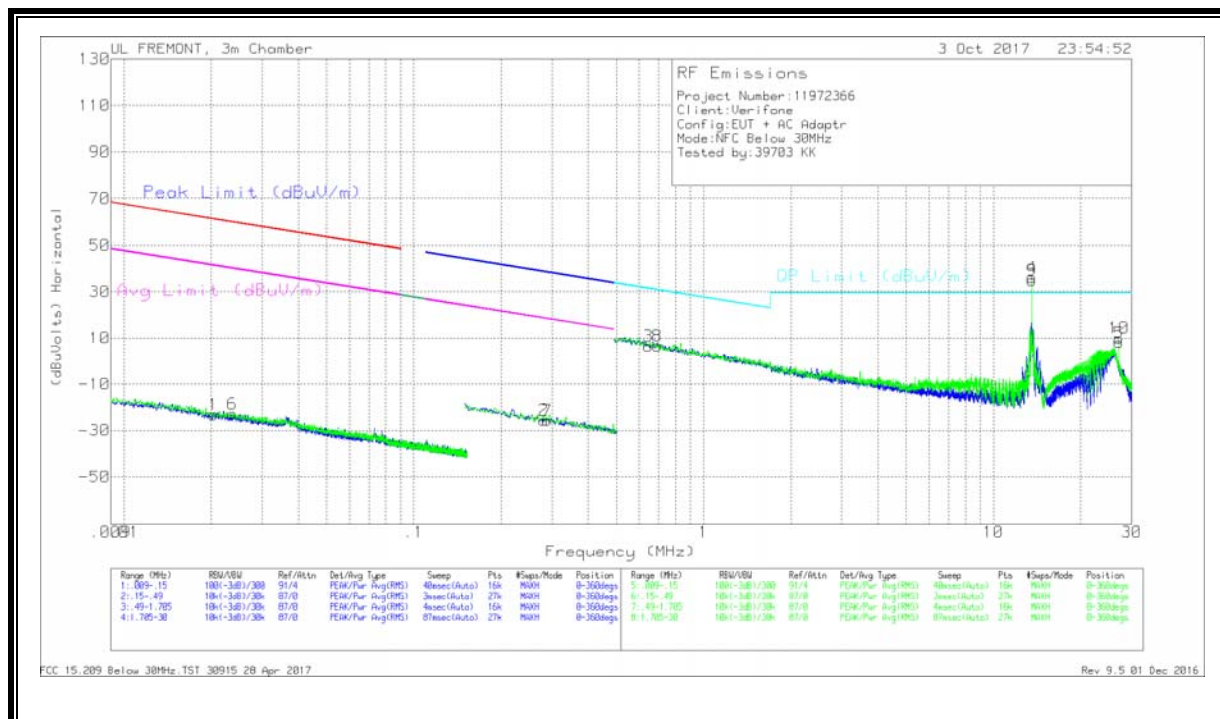
\* - indicates fundamental frequency  
 Pk - Peak detector

Fundamental Frequency

Frequency (MHz)	Meter Reading (dBuV)	Det	Loop Antenna (dB/m)	Cbl (dB)	Dist Corr 30m	Corrected Reading dB(uVolts/meter)	FCC 15.225 Limit	PK Margin (dB)	Azimuth (Degs)	Antenna Position
*13.55208	58.83	Pk	10.4	1.6	-40	30.83	50.5	-19.67	0-360	Face-Off
*13.55725	63.59	Pk	10.4	1.6	-40	35.59	84	-48.41	0-360	Face-On

Pk - Peak detector

### 7.3. TX SPURIOUS EMISSIONS (0.09 – 30MHz)



#### Trace Markers

Marker	Frequency (MHz)	Meter Reading (dBuV)	Det	Loop Antenna (dB/m)	Cbl (dB)	Dist Corr 300m	Corrected Reading (dBuVolts)	Peak Limit (dBuV/m)	Margin (dB)	Avg Limit (dBuV/m)	Margin (dB)	Peak Limit (dBuV/m)	Margin (dB)	Avg Limit (dBuV/m)	Margin (dB)	Azimuth (Degs)
1	.02039	40.19	Pk	15.3	1.4	-80	-23.11	61.4	-84.51	41.4	-64.51	-	-	-	-	0-360
6	.02368	40.86	Pk	14.9	1.4	-80	-22.84	60.1	-82.94	40.1	-62.94	-	-	-	-	0-360
2	.28077	41.43	Pk	11.5	1.5	-80	-25.57	-	-	-	-	38.65	-64.22	18.65	-44.22	0-360
7	.28889	41.36	Pk	11.5	1.5	-80	-25.64	-	-	-	-	38.4	-64.04	18.4	-44.04	0-360

#### Pk - Peak detector

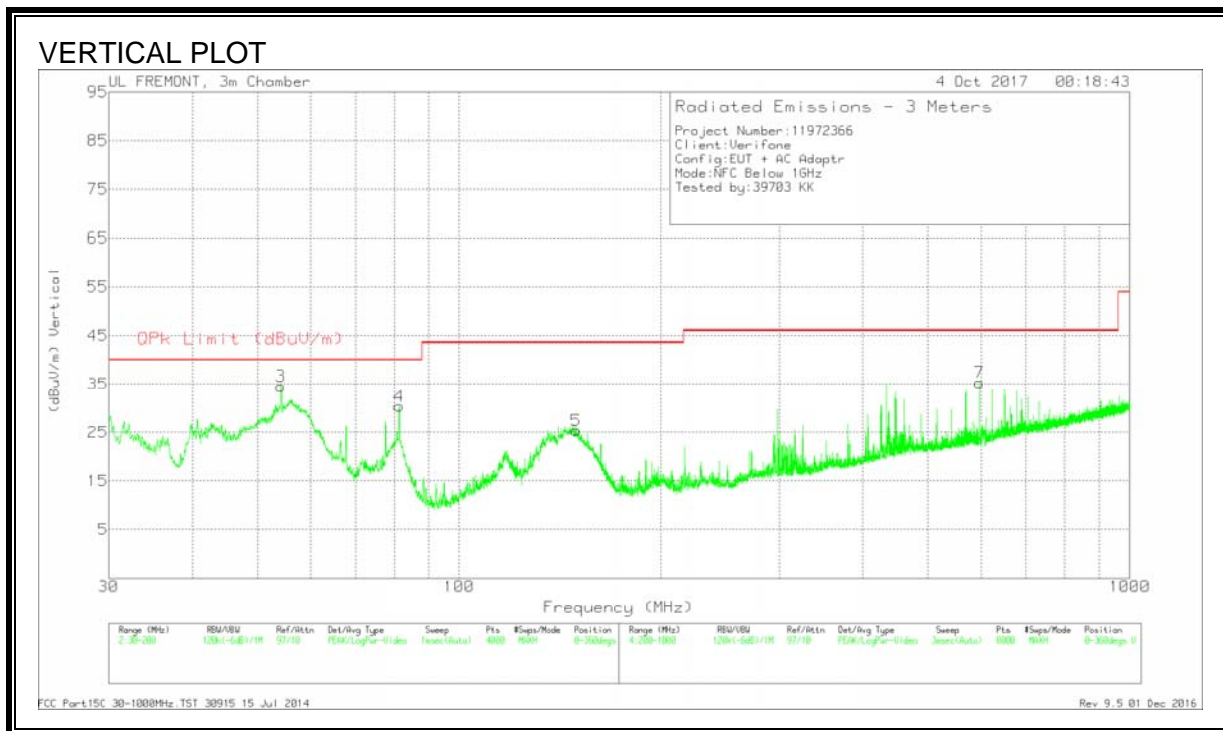
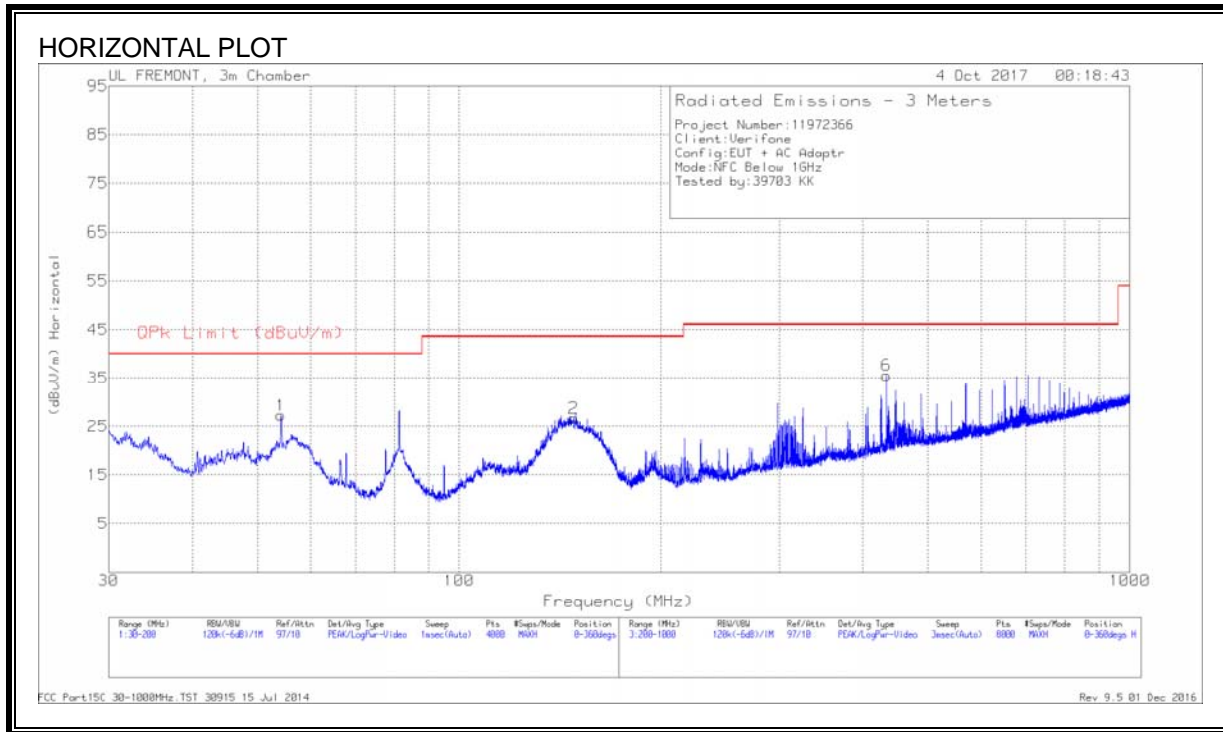
Marker	Frequency (MHz)	Meter Reading (dBuV)	Det	Loop Antenna (dB/m)	Cbl (dB)	Dist Corr 300m	Corrected Reading (dBuVolts)	QP Limit (dBuV/m)	Margin (dB)	Peak Limit (dBuV/m)	Margin (dB)	Avg Limit (dBuV/m)	Margin (dB)	Azimuth (Degs)
3	.6439	33.62	Pk	11.5	1.5	-40	6.62	31.43	-24.81	-	-	-	-	0-360
8	.69307	33.7	Pk	11.5	1.5	-40	6.7	30.8	-24.1	-	-	-	-	0-360
4	*13.55945	64.25	Pk	10.4	1.6	-40	36.25	-	-	-	-	-	-	0-360
9	*13.55945	62.94	Pk	10.4	1.6	-40	34.94	-	-	-	-	-	-	0-360
10	27.119	39.84	Pk	8.5	1.7	-40	10.04	29.5	-19.46	-	-	-	-	0-360
5	27.12005	37.85	Pk	8.5	1.7	-40	8.05	29.5	-21.45	-	-	-	-	0-360

\* - indicates fundamental frequency

Pk - Peak detector



### 7.4. TX SPURIOUS EMISSIONS (30 – 1000MHz)



Trace Markers

Marker	Frequency (MHz)	Meter Reading (dBuV)	Det	AF T408 (dB/m)	Amp/Cbl (dB/m)	Corrected Reading (dBuV/m)	QPk Limit (dBuV/m)	Margin (dB)	Azimuth (Degs)	Height (cm)	Polarity
1	54.2313	46.86	Pk	11.1	-30.7	27.26	40	-12.74	0-360	400	H
3	54.2313	54.16	Pk	11.1	-30.7	34.56	40	-5.44	0-360	100	V
4	81.3533	49.48	Pk	11.4	-30.5	30.38	40	-9.62	0-360	100	V
2	148.0956	39.88	Pk	16.6	-29.8	26.68	43.52	-16.84	0-360	300	H
5	149.3709	38.59	Pk	16.6	-29.8	25.39	43.52	-18.13	0-360	100	V
6	433.9304	43.08	Pk	20.6	-28.1	35.58	46.02	-10.44	0-360	100	H
7	596.6516	40.43	Pk	22.3	-27.4	35.33	46.02	-10.69	0-360	100	V

Pk - Peak detector

**APPENDIX A**

Technology	Test Item	Measured Frequency(MHz)	B32V240MPLUS	Limit	Margin (dB)
			Peak (dBuV/m)		
NFC	FUND	13.56	42.92	84	-41.08
	RSE	54.2342	35.08	40	-4.92

Technology	Test Item	Measured Frequency(MHz)	B32V240MBW	Limit	Margin (dB)
			Peak (dBuV/m)		
NFC	FUND	13.56	35.59	84	-48.41
	RSE	54.2313	34.56	40	-5.44